



*Tailor Made
Seat Cover
Catalogue*

Ph: (02) 9821 1755
Fax: (02) 9601 1984



Order should be placed as follows;

Fabric / Colour / Part No. / Seat Row / Pic No.

Example:

| | | | | |
|---------|----------------|---------|-------|------|
| Getaway | Black / Silver | TOY1005 | Front | 102c |
| Getaway | Black / Silver | TOY5029 | Rear | 1061 |

PLACE YOUR ORDER NOW!

ORDER OFFICE HOTLINE

Ph: (02) 9821 1755

Fax: (02) 9601 1984

Email: orders@sperling.com.au



TAILOR MADE CATALOGUE

Quick! Simple! Easy!

How to use this catalogue

Example:

Description/Model

Toyota Hilux
07/15 - current
SR, SR5 Dual Cab

Part No.

Front: TOY1005

Middle: N/A

Rear: TOY5029

Picture No.

Front: 102C

Middle: N/A

Rear: 1061



Important

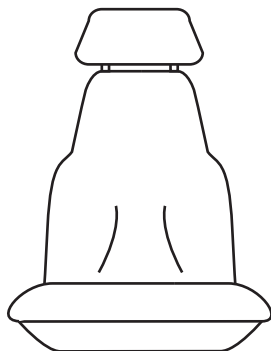
This is the "KEY"
Information - vehicle,
make, year, model,
body type, etc.



Every listing has
an illustration
to make it easy.

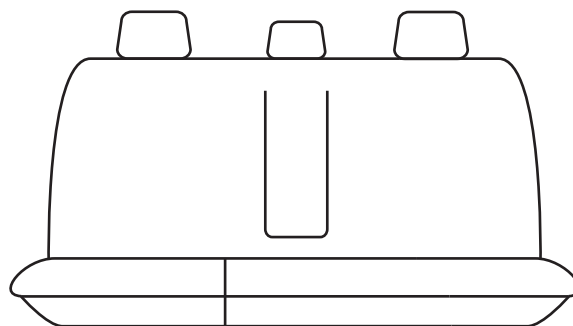
Compare customer's seat to illustration to check seat configuration is the same.

102c



Depicts bucket seats
with separate headrests.

1061



Depicts 40/60 split base.
Full backrest with 3 separate headrests
and centre armrest.

NOTE:

*REAR SEATS WITH ARMRESTS WILL HAVE ZIPPER OR VELCRO ALLOWANCE. ARMREST NOT ALWAYS COVERED SEPARATELY

***IF YOUR FRONT SEATS CONTAIN AIRBAGS WE NEED TO KNOW!!!**

PLEASE CONTACT CUSTOMER SERVICE ON 02 9821 1755 FOR FURTHER INFORMATION.



TAILOR MADE SEAT COVER ORDER FORM

PH: (02) 9821 1755 FX: (02) 9601 1984 EMAIL: orders@sperling.com.au

| | |
|-----------------|----------------------|
| Date: | Phone Number: |
| Order Number: | Store Location: |
| Ordered by: | |
| Store Name: | Store/Branch Number: |
| Fabric Style : | (eg : Getaway) |
| Fabric Type : | (eg : Neoprene) |
| Fabric Colour : | (eg : Black/Silver) |

IF THE FRONT SEAT HAS AIRBAGS (CONTAINED WITHIN THE SEAT) WE NEED TO KNOW

| Part No. | Row | (<input checked="" type="checkbox"/>) | Picture No. | (<input checked="" type="checkbox"/>) | Airbag Allowance Req'd in Seat Cover |
|----------|--------|---|-------------|---|---|
| | Front | <input type="checkbox"/> | | <input type="checkbox"/> | Driver Airbag <input type="checkbox"/> Passenger Airbag <input type="checkbox"/> |
| | Middle | <input type="checkbox"/> | | | You MUST check FRONT seats for AIRBAG/S & <input checked="" type="checkbox"/> all relevant options (if contained within seat). |
| | Rear | <input type="checkbox"/> | | | |

IF YOU DO NOT KNOW THE PART / PIC NO.S - COMPLETE THE FOLLOWING

| Vehicle Description | Example | Your Vehicle |
|---------------------|-----------|--------------|
| Make | HYUNDAI | |
| Model | I30 | |
| Sub Model | SR | |
| Year | 2018 | |
| Series | (PD) | |
| Body Style | 4DR HATCH | |
| VIN or REGO | KMH551C | |

Seat Configuration Tick ()

| | | | |
|---------------|---|--|--|
| Front | <i>Airbags (if contained within seat)</i> | <input type="checkbox"/> Driver | <input type="checkbox"/> Passenger |
| | <i>Seat Type</i> | <input type="checkbox"/> Buckets | <input type="checkbox"/> Full Bench <input type="checkbox"/> Bkt & 3/4 Bench <input type="checkbox"/> Centrefold Bench |
| | <i>Headrest</i> | <input type="checkbox"/> 2 Separate | <input type="checkbox"/> 3 Separate <input type="checkbox"/> Moulded <input type="checkbox"/> None |
| | <i>Armrest</i> | <input type="checkbox"/> Driver x 1 | <input type="checkbox"/> Driver x 2 <input type="checkbox"/> Passenger x 1 <input type="checkbox"/> Passenger x 2 |
| Middle | <i>Back Rest</i> | <input type="checkbox"/> 60/40 <input type="checkbox"/> 40/60 <input type="checkbox"/> 50/50 | <input type="checkbox"/> 40/20/40 <input type="checkbox"/> Full Bench |
| | <i>Base</i> | <input type="checkbox"/> 60/40 | <input type="checkbox"/> 40/60 <input type="checkbox"/> 50/50 <input type="checkbox"/> Full Bench |
| | <i>Headrest</i> | <input type="checkbox"/> 2 Separate | <input type="checkbox"/> 3 Separate <input type="checkbox"/> Moulded <input type="checkbox"/> None |
| | <i>Armrest</i> | <input type="checkbox"/> Centre x 1 | <input type="checkbox"/> Centre x 2 <input type="checkbox"/> Side x 2 |
| | <i>Side Bolsters</i> | <input type="checkbox"/> Yes | <input type="checkbox"/> No |
| Rear | <i>Back Rest</i> | <input type="checkbox"/> 60/40 <input type="checkbox"/> 40/60 <input type="checkbox"/> 50/50 | <input type="checkbox"/> 40/20/40 <input type="checkbox"/> Full Bench |
| | <i>Base</i> | <input type="checkbox"/> 60/40 | <input type="checkbox"/> 40/60 <input type="checkbox"/> 50/50 <input type="checkbox"/> Full Bench |
| | <i>Headrest</i> | <input type="checkbox"/> 2 Separate | <input type="checkbox"/> 3 Separate <input type="checkbox"/> Moulded <input type="checkbox"/> None |
| | <i>Armrest</i> | <input type="checkbox"/> Centre x 1 | <input type="checkbox"/> Centre x 2 <input type="checkbox"/> Side x 2 |
| | <i>Side Bolsters</i> | <input type="checkbox"/> Yes | <input type="checkbox"/> No |

| | |
|------------------------------|-----------|
| Special Instructions: | TOTAL QTY |
| | |
| | |

Please Note : Bench Seats with ARMRESTS will have zipper or velcro allowance. ARMRESTS are NOT always covered separately.

Existence of Airbags must be advised. Custom Fit seat covers are non-refundable.

Please do not hesitate to contact Customer Service on (02) 9821 1755 for further information.



There is a new part numbering system in town

After 40 years we have outgrown our part numbering system. We have tweaked it and changed it as we ran out of both letters and numbers but finally, we have had our Y2K moment. Our Ready Made range has necessitated that we move to a part numbering system that is based on seats rather than every vehicle having its own part number.

If car manufacturers could make the jump from 6v to 12v (and now to 24v or possibly 48v) then surely we should be able to pull this off.

The new part numbering system will be comprised of 3 letters followed by 4 numbers. We also still have an option to put a full stop in and then the picture number.

The 3 letters will refer to vehicle make and will generally be the first 3 letters in the name.

The 4 numbers will distinguish what pattern we actually use and that is the most important part.

- 1000 series numbers will be the first row of seat (i.e. fronts)
- 5000 series numbers will be the second row of seats (i.e. rears in 5 seaters and middles in 7 seaters)
- 9000 series numbers will be the third row of seats (i.e. rears in 7 seaters)

This new system will be phased in immediately for all new patterns and we will also be changing some of our existing patterns to reflect the new look part numbers.

For instance, the Ford Ranger Dual Cab XLT fronts that had an “old” part number of CF453.102c has been rebirthed as a FOR1003.102c. The rears for the same vehicle had an “old” part number of CF453.907 and have become FOR5001.907.

To really understand why we are doing this you should consider at the same time the (UR Series) Mazda BT50 XTR dual cab that had the “old” part numbers CZ215.102c for fronts and CZ215.907 for rears. These seats are the same as the Ford Ranger XLT listed above. The “new” BT50 XTR part numbers are MAZ1003.102c for the front and MAZ5001.907 for the rear. You will see that they share the same numbers as the Ranger and the letters just serve as a check measure.

This will allow you to very quickly see where the same seats are being used across multiple brands which has become common place.

If you have any questions please reach out to our friendly customer service team for advice.

Regards,

Peter Sperling

SPERLING ENTERPRISES PTY LTD
16 HELLES AVE MOOREBANK
NSW 2170 SYDNEY AUSTRALIA
TEL: (02) 9821 1444
FAX: (02) 9821 2641
EMAIL: sperling@sperling.com.au



22nd March 2023



| OLD | NEW | OLD | NEW | OLD | NEW | OLD | NEW | OLD | NEW | OLD | NEW | OLD | NEW | |
|--------|--------|--------|--------|--------|--------|--------|--------|--------|--------|----------------------|------|--------|--------|--------|
| CA002F | CA001F | CF042F | CF014F | CG150F | CT062F | CI028R | 9123 | CQ001R | 9179 | CT236F | | CT230F | CY114R | 9116 |
| CA003F | CA001F | CF043F | CF014F | CG173F | CG172F | CI030F | CI028F | CQ004R | 9180 | CT238F | 1051 | | CY121F | 1038 |
| CA010F | CA001F | CF067F | CF063F | CG174F | CG172F | CI030R | 9124 | CQ008F | CQ004F | CT238M | 5053 | | CY121R | 5032 |
| CA011F | CA001F | CF068F | CF063F | CG175F | CG172F | CI035F | CI021F | CQ014F | CQ009F | CT238R | 9067 | | CY127F | CY126F |
| CA021F | CA020F | CF069F | CF063F | CG176F | CG172F | CI038F | CI037F | CQ016R | 9181 | CT239F | 1024 | | CY131F | 1036 |
| CA022F | CA007F | CF091F | CF090F | CG179F | CG172F | CI039R | 9125 | CQ017R | 9182 | CT239M | 5042 | | CY132M | 5067 |
| CA023F | CA008F | CF092F | CF090F | CG184F | CG172F | CI040F | CI039F | CQ034F | CQ018F | CT239R | 9005 | | CY132R | 9113 |
| CA024F | CA008F | CF099F | CF098F | CG185F | CG133F | CI060F | CI058F | CQ035F | CQ033F | CT244F | | CT199F | CY134F | 1071 |
| CA025F | CA008F | CF100R | 9095 | CG187F | CG133F | CI061F | CI058F | CQ036F | CQ051F | CT245F | | CT199F | CY134M | 5067 |
| CA026F | CA008F | CF101R | 9096 | CG188F | CG133F | CI065F | 1015 | CQ038R | 5176 | CT245R | 9088 | | CY140F | CY138F |
| CA027F | CA008F | CF112F | CF056F | CG191F | CT127F | CI066F | 1015 | CQ039F | CQ038F | CT267F | | CT266F | CY143F | CY057F |
| CA031F | CA030F | CF114F | CF117F | CG192F | CT127F | CI066R | 5015 | CQ039R | 5176 | CT268F | 1500 | | CY144F | CY057F |
| CA032F | CA030F | CF121R | 9092 | CG221F | CG220F | CI067R | 9127 | CQ040R | 5176 | CT268M | 5382 | | CY147R | 9114 |
| CA034F | CA030F | CF122F | CF121F | CG222F | CG220F | CI068F | 1073 | CQ041F | CQ040F | CT269F | | CT268F | CY251F | 1039 |
| CA035F | CA030F | CF123F | CF121F | CG228F | CG139F | CI068M | 5069 | CQ041R | 5176 | CT270F | 1092 | | CY251R | 5033 |
| CA036F | CA030F | CF124F | CF120F | CG229F | CG139F | CI068R | 9024 | CQ043F | 1021 | CT270M | 5080 | | CY252F | 1039 |
| CA038F | CA008F | CF125F | CD067F | CG234F | 1068 | CI069F | 1074 | CQ043R | 5020 | CT270R | 9070 | | CY253F | 1039 |
| CA040F | CA029F | CF126F | CD067F | CG234R | 5064 | CI069R | 5070 | CQ049R | 9178 | CT271F | 1092 | | CY253R | 5033 |
| CA043F | CA042F | CF136R | 9094 | CG235F | 1068 | CI070R | 9126 | CQ060F | CQ061F | CT271M | 5078 | | CY262F | 1037 |
| CA044F | CA041F | CF148F | CF056F | CG237F | 1181 | CI071F | 1326 | CQ060R | 5176 | CT271R | | CT270R | CY268F | 1040 |
| CA050F | CA029F | CF154F | CF153F | CG237R | 5064 | CI071R | 5317 | CQ068F | 1475 | CT272F | 1184 | | CY268R | 5034 |
| CA051F | CA008F | CF161F | CF160F | CG240R | 9105 | CJ002F | CJ001F | CQ068M | 5370 | CT272R | 5180 | | CY269F | 1036 |
| CA053F | CA052F | CF190F | CF116F | CG243R | 9106 | CJ007F | CJ001F | CQ068M | 5370 | CT274F | 1494 | | CY271F | 1171 |
| CA055F | CA052F | CF191F | 1499 | CG257F | CG256F | CJ009F | CJ008F | CQ068R | 9055 | CT275F | | CT274F | CY271R | 5168 |
| CA063F | CA052F | CF192F | CF402F | CG258F | CG256F | CJ014F | CJ008F | CQ076F | 1022 | CT278F | 1081 | | CY272F | 1437 |
| CA065F | CA064F | CF200F | CF063F | CG260F | CG133F | CJ018F | CJ017F | CQ076R | 5021 | CT279R | 9006 | | CZ013R | CF143R |
| CA083F | CA082F | CF203F | CF063F | CG267F | CG133F | CJ019F | CJ013F | CQ080R | CQ053R | CT281F | | CT280F | CZ035F | CZ033F |
| CA084F | 1077 | CF204F | CF063F | CG269F | CG133F | CJ022F | CJ021F | CQ085F | 1226 | CT283F | | CT280F | CZ036F | CF160F |
| CA084R | 5074 | CF206F | CF205F | CG270F | CG133F | CJ025F | CJ020F | CQ090F | 1183 | CT286F | | CT222F | CZ037F | CF160F |
| CA086R | 9175 | CF212F | CF211F | CG271F | CG133F | CK006R | 9101 | CQ090R | 5176 | CT287F | | CT289F | CZ037F | CZ033F |
| CA087F | 1176 | CF215F | CF214F | CG275F | CG133F | CM014F | CM013F | CQ091F | 1227 | CT293F | | CT039F | CZ052F | CZ055F |
| CA094F | CA093F | CF241F | 1003 | CG277F | CG133F | CM018F | CM017F | CQ094R | 9183 | CT298F | | CT297F | CZ053F | CZ055F |
| CA095F | CA092F | CF241M | 5046 | CG278F | CG133F | CM019F | CM017F | CR021F | CR022F | CT301F | 1025 | | CZ054F | CZ057F |
| CA097F | 1042 | CF241R | 9023 | CG280F | CG279F | CM019R | 9145 | CR024R | 9128 | CT303F | 1048 | | CZ058F | CZ057F |
| CA098F | 1042 | CF247F | CF246F | CG282F | CG279F | CM027F | CM026F | CR028M | 5290 | CT304F | 1048 | | CZ059F | CZ057F |
| CA098R | 5044 | CF248F | CF246F | CG284F | CG279F | CM028F | CM026F | CR028R | 9129 | CT306F | 1026 | | CZ060F | CF056F |
| CA101F | 1176 | CF249R | 9090 | CG288F | CG133F | CM032F | CM029F | CR043F | CR037F | CT307R | 9058 | | CZ061F | CZ055F |
| CA104F | 1042 | CF250F | CF249F | CG296F | CG297F | CM034F | CM029F | CR044F | CR020F | CT313R | 9078 | | CZ063F | CZ055F |
| CA104R | 5044 | CF251F | CF249F | CG299F | 1280 | CM036F | CM038F | CS002F | CS001F | CT314F | 1048 | | CZ064F | CZ055F |
| CA106F | CT455F | CF252F | CF249F | CG301F | 1281 | CM041R | CM040R | CS007F | CS006F | CT314R | 5023 | | CZ069F | CZ068F |
| CA150F | 1176 | CF253R | 9091 | CG302F | 1282 | CM045R | CM040R | CS009F | CS008F | CT315F | 1026 | | CZ073F | CZ072F |
| CA150R | 5170 | CF254F | CF253F | CG303F | 1283 | CM051R | 9146 | CS012F | CS006F | CT315R | 5023 | | CZ074R | 9134 |
| CA154F | 1078 | CF261F | CF262F | CG304F | 1284 | CM052F | CM050F | CS013F | CS008F | CT316F | 1048 | | CZ075F | CZ072F |
| CA154R | 5075 | CF267F | CF290F | CG351F | CG283F | CM053F | CM051F | CS016F | CS015F | CT317F | 1026 | | CZ077R | 9135 |
| CD032F | CD031F | CF275F | CF094F | CG352F | CG279F | CM055F | CM051F | CS019R | 9176 | CT318F | 1001 | | CZ079R | 9136 |
| CD033F | CD031F | CF278F | 1012 | CG353F | CG279F | CM056F | CM051F | CS020F | CS001F | CT318R | 5023 | | CZ080R | 9137 |
| CD040R | 9159 | CF280F | CF205F | CG360F | CG359F | CM057F | CM050F | CS021F | CS001F | CT334F | | CT288F | CZ106F | CF063F |
| CD043F | CD084F | CF283F | CF282F | CG361F | CG354F | CM059R | 9149 | CS023F | CS001F | CT335F | 1032 | | CZ106F | CF205F |
| CD062R | 9163 | CF284F | CF281F | CG364F | 1170 | CM060R | 9140 | CS026F | CS018F | CT335R | 5026 | | CZ108F | CZ107F |
| CD066F | CD069F | CF291F | CF290F | CG365F | 1170 | CM065R | 9153 | CS027R | 9177 | CT345M 2ND ROW | 5387 | | CZ127F | CF246F |
| CD067F | CD067F | CF292F | CF290F | CG366F | 1170 | CM066R | 9154 | CS033F | CS032F | CT345M 3RD & 4TH ROW | 5388 | | CZ130M | CZ044M |
| CD068F | CD067F | CF293F | CF290F | CG367F | 1068 | CM067R | 9155 | CS045F | CS044F | CT345R 5TH ROW | 9057 | | CZ130R | 9130 |
| CD070R | 9168 | CF296F | CF290F | CG367R | 5064 | CM069R | 9156 | CS047F | CS044F | CT349F | 1182 | | CZ132F | CZ131F |
| CD075F | CD067F | CF299F | CF290F | CG368F | 1181 | CM071R | 9157 | CS050F | CS049F | CT349M | 5076 | | CZ133F | CZ131F |
| CD075R | 9093 | CF302F | CF301F | CG369F | 1002 | CM072R | 9157 | CS051F | CS049F | CT349R | 9064 | | CZ135F | CZ134F |
| CD076F | CD067F | CF303F | CF290F | CG369R | 5012 | CM075R | 9147 | CS062F | CS061F | CT380F | 1027 | | CZ137F | CZ136F |
| CD077F | CD067F | CF304F | CF301F | CG370F | 1002 | CM076R | 9148 | CS085F | CS084F | CT380M | 5043 | | CZ138F | CZ136F |
| CD079R | 9164 | CF305F | CF301F | CG370R | 5010 | CM079F | CM075F | CS101F | CS100F | CT380R | 9006 | | CZ139F | CZ136F |
| CD080F | CD067F | CF306F | CF301F | CG371F | 1004 | CM080R | 9141 | CS108F | CS107F | CT381F | 1052 | | CZ154F | CZ151F |
| CD081F | CD067F | CF306R | 5165 | CG375F | 1181 | CM081R | 9142 | CS109F | CS107F | CT382F | 1080 | | CZ155F | CZ151F |
| CD082R | 9165 | CF307F | CF301F | CG376F | 1068 | CM082R | 9143 | CS175F | CS049F | CT383R | 9006 | | CZ163F | CZ165F |
| CD083M | 5380 | CF400F | CF191F | CG378F | 1068 | CM083R | 9144 | CS176F | CS049F | CT384F | 1179 | | CZ175F | CZ153F |
| CD083R | 9166 | CF401F | CF191F | CG378R | 5064 | CM087F | CM086F | CS180F | 1304 | CT385F | 1029 | | CZ177F | CZ176F |
| CD093F | CD092F | CF403F | CF402F | CG380F | 1282 | CM092F | CM091F | CS180R | 5257 | CT385R | 5024 | | CZ178F | CZ176F |
| CD094F | CD214F | CF405F | CF309F | CG380R | 5243 | CM094F | CM091F | CS181F | 1305 | CT386F | 1080 | | CZ179F | CZ176F |
| CD095F | CD092F | CF405R | 5165 | CG381R | 5247 | CM111F | CM110F | CS181R | 5258 | CT386R | 5077 | | CZ194F | CZ192F |
| CD096F | CD097F | CF406F | CF309F | CG382R | 5244 | CM114F | CM110F | CT015F | CT014F | CT389F | | CT388F | CZ195F | CZ193F |
| CD098F | CD092F | CF407F | 1169 | CG383F | CG137F | CM116F | CM110F | CT016F | CT014F | CT390F | | CT299F | CZ197F | CZ196F |
| CD115R | 9161 | CF408R | 9097 | CG385F | 1013 | CM117F | CM110F | CT018F | CT014F | CT391F | 1031 | | CZ198F | CZ196F |
| CD117F | CD115F | CF409F | 1169 | CG385M | 5040 | CM118F | CM110F | CT019F | CT014F | CT391R | 5025 | | CZ202F | CZ201F |
| CD118F | 1043 | CF411F | 1169 | CG385R | 9003 | CM119F | CM110F | CT029R | 9059 | CT392F | 1031 | | CZ203F | CZ201F |
| CD118M | 5045 | CF411M | 5166 | CG386F | 1013 | CM121F | CM120F | CT038F | CT037F | CT392R | 5025 | | CZ204F | CZ174F |
| CD118R | 9162 | CF412F | CF408F | CG386M | 5167 | CM133F | CM132F | CT053F | CT052F | CT398F | | CT289F | CZ210F | 1168 |

| | | | | | | | | | | | | | |
|--------|--------|--------|--------|--------|--------|--------|--------|----------------|--------|--------|--------|----------------|--------|
| CD120R | 9160 | CF412M | 5166 | CG386R | 9003 | CM137F | CM136F | CT054F | CT052F | CT399F | 1032 | CZ211F | 1167 |
| CD125F | 1175 | CF414F | CF413F | CG392F | CG391F | CM141F | CM076F | CT055F | CT052F | CT399R | 5026 | CZ211R | 5174 |
| CD125R | 5169 | CF415F | CF413F | CG395F | 1004 | CM143F | CM076F | CT056F | CT052F | CT400F | 1032 | CZ212F | 1003 |
| CD127F | 1197 | CF416F | CF413F | CG395R | 5011 | CM143R | 9150 | CT058F | CT057F | CT400R | 5026 | CZ212R | 5002 |
| CD127R | 5169 | CF421F | CF420F | CG396F | 1002 | CM150F | CM038F | CT059F | CT057F | CT401F | 1032 | CZ213F | 1067 |
| CD145F | CD144F | CF424F | CF418F | CG396R | 5012 | CM151F | CM038F | CT061F | CT057F | CT444F | 1033 | CZ214F | 1003 |
| CD146F | CD144F | CF425F | CF418F | CG397F | 1004 | CM152F | CM038F | CT063F | CT062F | CT444R | 5027 | CZ214R | 5008 |
| CD149F | CD144F | CF426F | CF418F | CG398F | 1002 | CM153F | CM039F | CT064F | CT062F | CT457F | 1034 | CZ215F | 1003 |
| CD155F | CD154F | CF431F | CF309F | CG398M | 5047 | CM155F | CM038F | CT067F | CT062F | CT458F | 1034 | CZ215R | 5001 |
| CD156F | CD153F | CF433R | 5165 | CG398R | 9007 | CM156F | CM038F | CT068F | CT062F | CT459F | 1001 | CZ218F | 1041 |
| CD158F | CD157F | CF435F | CF309F | CG400F | 1002 | CM157F | CM038F | CT069F | CT062F | CT459R | 5028 | CZ218R | 5255 |
| CD160R | 9169 | CF437R | 5165 | CG400M | 5063 | CM160F | CM131F | CT073F | CT072F | CT460F | 1005 | CZ219F | 1041 |
| CD161F | CD159F | CF438F | 1166 | CG400R | 9007 | CM173R | 9139 | CT080R | 9080 | CT460R | 5029 | CZ219R | 5035 |
| CD165F | CD164F | CF438R | 5165 | CG460F | 1170 | CM175F | 1017 | CT084R | 9082 | CT461F | 1035 | CZ225R | 9131 |
| CD166F | CD164F | CF439F | 1166 | CG461F | 1509 | CM175R | 5016 | CT085R | 9083 | CT462F | 1005 | CZ230F | 1006 |
| CD167F | CD164F | CF440F | CF436F | CG466F | 1002 | CM176F | 1017 | CT086R | 9081 | CT462R | 5377 | CZ230R | 5072 |
| CD168F | CD164F | CF441F | 1166 | CG466R | 5011 | CM176M | 5016 | CT090F | 1505 | CT463F | 1005 | CZ233F | 1173 |
| CD176F | CD175F | CF441R | 5165 | CG467F | 1002 | CM176R | 9025 | CT091F | CT100F | CT463R | 5030 | CZ234F | 1173 |
| CD177F | CD175F | CF442R | 9089 | CG467R | 5014 | CM182F | CM181F | CT092F | CT090F | CT464F | 1303 | CZ234R | 5091 |
| CD185F | CD184F | CF447F | 1167 | CG468F | 1002 | CM184F | CM181F | CT093F | CT090F | CT464M | 5256 | CZ235F | 1006 |
| CD186F | CD184F | CF447R | 5174 | CG468R | 5014 | CM185F | CM181F | CT095R | 9068 | CT464R | 9060 | CZ238F | 1076 |
| CD190R | 9170 | CF448F | 1168 | CG470F | 1286 | CM188F | CM187F | CT096F | CT095F | CT466F | 1079 | CZ238R | 5079 |
| CD191F | 1008 | CF449F | 1003 | CG471F | 1287 | CM192F | CM187F | CT096R | 9068 | CT466M | 5076 | CZ239F | 1006 |
| CD191R | 5005 | CF449R | 5002 | CG472F | 1288 | CM194F | CM193F | CT097F | CT090F | CT467F | 1180 | CZ239R | 5036 |
| CD192F | 1008 | CF450F | 1003 | CG473F | 1289 | CM201R | 9138 | CT098R | 9069 | CT467M | 5173 | CZ240F | 1006 |
| CD192R | 5005 | CF451F | 1003 | CG474F | 1290 | CM202F | CM201F | CT099F | 1506 | CT467R | 9071 | CZ240R | 5037 |
| CD194F | CD193F | CF451R | 5008 | CG475R | 5245 | CM204R | 5017 | CT099M | 5378 | CT468F | 1024 | CZ245F | 1173 |
| CD201F | 1503 | CF452F | 1067 | CG476R | 5246 | CM206F | CM205F | CT104F | CT101F | CT468R | 5175 | CZ246F | 1006 |
| CD203F | 1009 | CF453F | 1003 | CG477F | 1170 | CM206R | 5017 | CT105F | CT090F | CT469F | 1052 | CZ246R | 5079 |
| CD203M | 5039 | CF453R | 5001 | CG478F | 1002 | CM208R | 5017 | CT107F | CT100F | CT469R | 9072 | CZ247F | 1172 |
| CD203R | 9001 | CF456F | CF455F | CG479F | CG193F | CM211F | CM210F | CT120F | CT100F | CT470F | 1177 | CZ247R | 9132 |
| CD206F | CD204F | CF457F | CF455F | CG482F | 1367 | CM212R | 9151 | CT125F | CT090F | CT470R | 5171 | CZ249F | CZ248F |
| CD207F | 1495 | CF464F | CF462F | CG483F | 1002 | CM214R | 9152 | CT127R | CG023R | CT471F | 1177 | CZ250F | 1075 |
| CD207M | 5376 | CF465F | CF462F | CG483M | 5063 | CM216M | 5041 | CT128F | CT127F | CT472F | 1178 | CZ250R | 5071 |
| CD207R | 9167 | CF466F | CF430F | CG483R | 9007 | CM216R | 9004 | CT134F | CT132F | CT472R | 5172 | CZ251F | 1003 |
| CD209F | 1501 | CF467F | CF430F | CG486F | 1002 | CM218F | 1018 | CT135R 5TH ROW | 9061 | CT473F | 1053 | CZ252F | 1075 |
| CD210F | 1175 | CF469F | CF430F | CH018F | CH016F | CM218M | 5041 | CT136F | CT135F | CT474F | 1252 | CZ252R | 5316 |
| CD213F | 1010 | CF470F | CF430F | CH021F | CH019F | CM218R | 9004 | CT138F | CT137F | CT476F | 1508 | CZ253F | 1094 |
| CD213R | 5006 | CF471F | CF430F | CH026F | CH025F | CM219F | 1018 | CT140F | CT135F | CT476R | 5053 | CZ254F | 1076 |
| CD217F | 1011 | CF473R | 5165 | CH034F | CH032F | CM226F | 1291 | CT140R 5TH ROW | 9062 | CT477F | 1048 | CZ254R | 5036 |
| CD217R | 5007 | CF474F | CF459F | CH035F | CH032F | CM230R | 5017 | CT143R 5TH ROW | 9063 | CT477R | 5023 | CZ255F | 1006 |
| CD221M | 5039 | CF475F | 1066 | CH039F | CH038F | CM232R | 5017 | CT145R | 9079 | CT478F | 1001 | CZ256F | 1172 |
| CD221R | 9001 | CF475R | 5062 | CH041F | CH038F | CM233F | 1016 | CT150R | 9075 | CT478R | 5023 | CZ256R | 9132 |
| CD224F | 1047 | CF477F | 1012 | CH055F | CH052F | CM233R | 5018 | CT151R | 9076 | CT479F | 1048 | IV001F | 1498 |
| CD224R | 5050 | CF480F | CF430F | CH067F | CH064F | CM234F | 1174 | CT154F | CT187F | CT480F | CT481F | LD001F | 1329 |
| CD228F | CD227F | CG065R | 9102 | CH070R | 9108 | CM234R | 5018 | CT157F | CT156F | CT481F | 1302 | LD002F | 1330 |
| CD229F | CD227F | CG068R | 9103 | CH073R | 9109 | CM235F | 1497 | CT159R | 9074 | CU007F | CU006F | LD002M 2ND ROW | 5357 |
| CD230F | CD227F | CG070R | 9104 | CH075R | 9110 | CM244F | 1333 | CT160R | 9077 | CU008F | CU006F | LD002M 3RD ROW | 5358 |
| CD235F | 1011 | CG087F | CT127F | CH079F | CH076F | CM246M | 5041 | CT165F | CT183F | CU019F | CU017F | LD002R 4TH ROW | 9052 |
| CD235R | 5073 | CG091F | CG102F | CH082F | CH080F | CM246R | 9004 | CT173F | CT172F | CU041F | CU040F | LD003F | 1330 |
| CF008F | CF007F | CG092F | CG102F | CH086F | CH085F | CM260F | 1046 | CT175F | CT174F | CU051F | CU050F | LD003R | 9053 |
| CF011R | CF014R | CG093F | CG102F | CH088F | 1045 | CM260R | 5049 | CT177F | CT176F | CU056F | CU057F | LD004F | 1330 |
| CF015F | CF014F | CG099F | CG102F | CH088R | 5048 | CM281F | 1502 | CT179F | 1504 | CU071F | CU070F | ME023M | 5152 |
| CF015R | CF014R | CG100F | CG102F | CH111R | 9111 | CM286F | 1020 | CT179R | 5379 | CU091F | CU090F | ME023R | 5152 |
| CF016R | CF014R | CG103F | CG102F | CH112F | CH111F | CM287F | 1020 | CT184R | 5381 | CU103F | CU100F | PE014R | 9171 |
| CF017R | CF014R | CG104F | CG102F | CH112R | 9112 | CM287R | 5019 | CT185F | 1507 | CV004F | CV002F | RE004F | 1335 |
| CF018R | CF014R | CG105F | CG102F | CH123F | 1069 | CM299R | 5017 | CT186F | CT183F | CW004F | CW002F | RE006F | 1496 |
| CF019R | CF014R | CG113F | CT057F | CH124F | 1070 | CN010R | 9098 | CT191R | 9084 | CW005F | CW003F | | |
| CF021F | CF014F | CG114F | CT057F | CH124R | 5066 | CN011F | CN010F | CT197R | 9085 | CW006F | CW002F | | |
| CF021R | CF014R | CG115F | CT057F | CH125F | CH114F | CN011R | 9098 | CT198F | CT197F | CX002R | 9174 | | |
| CF022F | CF019F | CG116F | CT057F | CH126F | 1069 | CN012R | 9099 | CT198R | 9086 | CX007F | CX003F | | |
| CF022R | CF014R | CG118F | CT057F | CH126R | 5065 | CN028F | CN025F | CT199R | 9087 | CX007R | 9173 | | |
| CF023F | CF019F | CG119F | CT057F | CH127F | 1070 | CN031F | CN030F | CT211R | CG023R | CY013R | CY021R | | |
| CF024F | CF019F | CG122F | CT062F | CH127R | 9107 | CN042F | 1072 | CT220F | CT062F | CY022R | CY021R | | |
| CF026R | CF014R | CG123F | CT062F | CI003R | 9121 | CN043F | 1072 | CT221F | CT062F | CY023R | CY021R | | |
| CF027F | CF026F | CG130F | CG129F | CI005R | 9120 | CN043R | 5068 | CT223F | CT222F | CY024R | CY021R | | |
| CF027R | CF014R | CG135M | 5167 | CI006R | 9122 | CN047F | CN029F | CT224F | CT222F | CY044F | 1036 | | |
| CF028F | CF014F | CG135R | 9003 | CI014F | CI013F | CN049F | CN048F | CT225F | CT222F | CY045F | 1036 | | |
| CF028F | CF026F | CG136F | CG135F | CI017F | CI007F | CN050F | 1327 | CT228F | CT226F | CY046F | 1036 | | |
| CF029F | CF026F | CG136R | 9003 | CI020F | CI015F | CN053F | CN052F | CT230R | 9065 | CY063F | 1037 | | |
| CF036F | CF014F | CG144F | CG143F | CI022F | CI028F | CN057R | 5068 | CT231F | CT230F | CY063R | 5031 | | |
| CF038F | CF018F | CG149F | CG140F | CI024F | CI023F | CP013R | 9172 | CT234F | CT230F | CY100R | 9117 | | |
| | | | | | | | | CT234R | 9066 | CY113R | 9115 | | |

| MAKE | MODEL | YEAR | SERIES & SUB MODEL | Front Pattern Number | Middle Pattern Number | Rear Pattern Number | Notes |
|------|-------|-----------------|--------------------|----------------------|-----------------------|---------------------|---------------|
| ACE | EV | 07/22 - CURRENT | TROLLEY VEHICLE | ACE1387.147 | | | AOF AVAILABLE |

| MAKE | MODEL | YEAR | SERIES & SUB MODEL | Front Pattern Number | Middle Pattern Number | Rear Pattern Number | Notes |
|------|-------|-----------------|-----------------------------------|----------------------|-----------------------|---------------------|-------------------------------|
| AUDI | A1 | 06/15 - 12/19 | (8X) SPORTBACK HATCH | AUD1105.111 | | AUD5104.985 | |
| AUDI | A3 | 09/14 - 12/20 | (8V) HATCH & SEDAN | NPR | | AUD5231.944 | |
| AUDI | A4 | 07/08 - 02/20 | (B8, B9) SEDAN | AUD1128.102C | | AUD5124.1032 | |
| AUDI | A4 | 07/08 - 02/20 | (B8, B9) WAGON | AUD1128.102C | | N/A | |
| AUDI | A4 | 02/20 - CURRENT | (B9) 45 TFSI QUATTRO S-LINE SEDAN | AUD1128.102C | | AUD5124.1032 | |
| AUDI | A5 | 03/12 - 07/17 | (8T) 2DR COUPE | AUD1103.102C | | AUD5101.1082 | |
| AUDI | RS3 | 06/17 - CURRENT | (8V) QUATTRO SEDAN | AUD1093.143 | | AUD5090.1081 | PULL OUT TRAY NOT ALLOWED FOR |
| AUDI | S3 | 07/21 - CURRENT | (8Y) 2.0 TFSI SEDAN | AUD1596.143 | | NPR | |
| AUDI | S3 | 07/21 - CURRENT | (8Y) 2.0 TFSI HATCH | AUD1596.143 | | NPR | |
| AUDI | S4 | 18 - CURRENT | (B9) TFSI QUATTRO SEDAN | AU001.102C | | AU001.997 | |

| MAKE | MODEL | YEAR | SERIES & SUB MODEL | Front Pattern Number | Middle Pattern Number | Rear Pattern Number | Notes |
|-------|-------|--------------|--|----------------------|-----------------------|---------------------|--|
| BE-GE | 3100 | 24 - CURRENT | 3100 SERIES SINGLE SEAT WITH DUAL ARMREST & HEADREST | BEG1541.182 | | | A/O ONLY. ARMREST NOT COVERED. ONE PIECE WITH SEPARATE HEADREST. |
| BE-GE | | 22 - CURRENT | | BEG1440.180 | | | A/O ONLY. ARMREST & HEADREST NOT COVERED. HEADREST ALLOWED FOR. (BE-GE SEAT) MADE FOR CP1200W ROLLER |
| BE-GE | 3400 | 22 - CURRENT | 3400 SERIES SINGLE SEAT WITH DUAL ARMREST & HEADREST | BEG1407.182 | | | A/O ONLY |
| BE-GE | 9000 | 22 - CURRENT | 9000 SERIES SINGLE SEAT WITH DUAL ARMREST & HEADREST | BEG1417.180 | | | A/O ONLY |

| MAKE | MODEL | YEAR | SERIES & SUB MODEL | Front Pattern Number | Middle Pattern Number | Rear Pattern Number | Notes |
|----------|-------|----------------|--------------------|----------------------|-----------------------|---------------------|-----------------------|
| BENGFENG | BF5-3 | 2008 - CURRENT | BF5-3 (2008) SEAT | BEN1642.255 | | | AOF ONLY. SINGLE SEAT |

| MAKE | MODEL | YEAR | SERIES & SUB MODEL | Front Pattern Number | Middle Pattern Number | Rear Pattern Number | Notes |
|------|----------|---------------|--------------------------|----------------------|-----------------------|---------------------|---|
| BMW | 118i | 03/07 - 09/11 | (E87) 4DR HATCH | CB009.102C | | CB009.926 | |
| BMW | 118i | 10/11 - 10/19 | (F20) 4DR HATCH | BMW1115.102C | | BMW5114.926 | |
| BMW | 120i | 10/04 - 09/11 | (E87) 4DR HATCH | CB005.102C | | CB005.926 | |
| BMW | 318i | 12/87 - 03/91 | (E30) 2DR COUPE & SEDAN | CB002.115 | | CB002.701 | |
| BMW | 318i | 11/93 - 11/98 | (E36) SEDAN | CB008.102C | | CB008.701 | |
| BMW | 320i | 04/91 - 03/98 | (E36) SEDAN | CB003.101C | | CB003.805 | |
| BMW | 320i | 08/04 - 02/10 | (E90) SEDAN | CB010.102C | | CB010.950 | REAR ARMREST NOT COVERED |
| BMW | 330Ci | 09/00 - 09/06 | (E46) 2DR COUPE | CB002.115 | | CB002.701 | DOES NOT FIT M SPORT MODELS WITH OPTIONED LEATHER SEATS AND SEAT CONTROLS |
| BMW | 4 SERIES | 05/14 - 05/20 | (F36) 4DR GRAN COUPE | CB012.108C | | CB012.1073 | |
| BMW | 4 SERIES | 04/17 - 05/20 | (F33) 2DR CONVERTIBLE | BMW1065.142 | | BMW5061.1079 | |
| BMW | 525E | 01/86 - 08/88 | (E28) SEDAN | CB001.101B | | CB001.805 | |
| BMW | X1 | 04/10 - 08/12 | (E84) SDRIVE 18i SUV | BMW1130.102C | | BMW5128.1076 | |
| BMW | X3 | 11/17 - 08/21 | (G01) SDRIVE, XDRIVE SUV | BMW1185.121 | | BMW5179.1064 | |
| BMW | X4 | 06/14 - 04/18 | (F26) X-DRIVE 35D COUPE | CB013.102C | | CB013.1076 | |
| BMW | X5 | 01/04 - 02/07 | (E53) SUV | | | CB006.913 | |

| MAKE | MODEL | YEAR | SERIES & SUB MODEL | Front Pattern Number | Middle Pattern Number | Rear Pattern Number | Notes |
|------|-----------|-----------------|---------------------------|----------------------|-----------------------|---------------------|---------------------------|
| BYD | ATTO 3 | 21 - CURRENT | ALL BADGES ELECTRIC WAGON | BYD1418.199 | | BYD5336.525 | RM - GBR |
| BYD | DOLPHIN | 09/23 - CURRENT | ALL BADGES ELECTRIC HATCH | BYD1628.146 | | BYD5437.995 | |
| BYD | SEALION 7 | 01/25 - CURRENT | ALL BADGES ELECTRIC SUV | BYD1581.228 | | BYD5416.924 | REAR ARM REST NOT COVERED |
| BYD | SHARK 6 | 07/24 - CURRENT | ALL BADGES, DUAL CAB UTE | BYD1580.216 | | BYD5415.907 | RM - TRB. AOF AVAILABLE |

| MAKE | MODEL | YEAR | SERIES & SUB MODEL | Front Pattern Number | Middle Pattern Number | Rear Pattern Number | Notes |
|------|--------------|--------------|---------------------------|----------------------|-----------------------|---------------------|---|
| CASE | DOZER | 22 - CURRENT | ALL BADGES DOZER | CAS1404.174 | | | SINGLE SEAT. A/O ONLY. |
| CASE | EXCAVATOR | 17 - CURRENT | CX17 EXCAVATOR | CAS1482.187 | | | SINGLE SEAT. A/O ONLY. |
| CASE | EXCAVATOR | 22 - CURRENT | CX58D EXCAVATOR | CAS1524.235 | | | SINGLE SEAT. A/O ONLY. |
| CASE | EXCAVATOR | 22 - CURRENT | CX60C & ONWARDS EXCAVATOR | CAS1345.173 | | | SINGLE SEAT. ONE PIECE BACKREST TO COVER HEADREST & BACKREST. A/O ONLY. |
| CASE | ROLLER | 22 - CURRENT | ALL BADGES ROLLER | CAS1402.179 | | | SINGLE SEAT. A/O ONLY. |
| CASE | SKID STEER | 22 - CURRENT | ALL BADGES LOADER | CAS1346.174 | | | SINGLE SEAT. A/O ONLY. |
| CASE | WHEEL LOADER | 22 - CURRENT | ALL BADGES WHEEL LOADER | CAS1403.197 | | | SINGLE SEAT. A/O ONLY. |

| MAKE | MODEL | YEAR | SERIES & SUB MODEL | Front Pattern Number | Middle Pattern Number | Rear Pattern Number | Notes |
|-------|------------------|-----------------|----------------------|----------------------|-----------------------|---------------------|-------|
| CHERY | C5 (OMODA C5) | 12/22 - CURRENT | (T34) ALL BADGES SUV | CHY1547.199 | | CHY5410.1080 | |
| CHERY | E5 (OMODA E5) | 06/24 - CURRENT | (T34) ALL BADGES SUV | CHY1547.199 | | CHY5410.1080 | |
| CHERY | J11 | 02/11 - 02/14 | (T1X) WAGON | HC001.102C | | HC001.947 | |
| CHERY | TIGGO 4 | 08/24 - CURRENT | (T3X) ALL BADGES SUV | CHY1547.199 | | CHY5397.523 | |
| CHERY | TIGGO 7 | 08/23 - CURRENT | (T32) ALL BADGES SUV | CHY1547.199 | | CHY5397.523 | |

| MAKE | MODEL | YEAR | SERIES & SUB MODEL | Front Pattern Number | Middle Pattern Number | Rear Pattern Number | Notes |
|-----------|-----------|-----------------|---|----------------------|-----------------------|---------------------|--------------------|
| CHEVROLET | CAMARO | 08/18 - 12/23 | (G6) 2SS COUPE | CHE1134.102C | | N/A | REAR NOT AVAILABLE |
| CHEVROLET | SILVERADO | 03/20 - CURRENT | (T1 / 1500) LT TRAIL BOSS, LTZ DUAL CAB | CHE1518.121 | | N/A | REAR NOT AVAILABLE |
| CHEVROLET | SILVERADO | 09/21 - CURRENT | (2500) LTZ DUAL CAB | CHE1518.121 | | N/A | REAR NOT AVAILABLE |

| MAKE | MODEL | YEAR | SERIES & SUB MODEL | Front Pattern Number | Middle Pattern Number | Rear Pattern Number | Notes |
|----------|---------------|---------------|-----------------------------|----------------------|-----------------------|---------------------|-----------------------|
| CHRYSLER | 300C | 11/05 - 09 | SEDAN | CN014.102C | | CN014.1016 | |
| CHRYSLER | 300C | 06/06 - 03/10 | WAGON | CN014.102C | | CN014.1016 | |
| CHRYSLER | 300 | 07/12 - 01/24 | C LUXURY SEDAN | CN016.102C | | CN016.1074 | ARMREST NOT COVERED |
| CHRYSLER | GRAND VOYAGER | 10/97 - 04/01 | (GS) SE WAGON | CN010.107 | CN010.109 | CHR9098.714 | |
| CHRYSLER | GRAND VOYAGER | 05/01 - 09/06 | (RG) WAGON | CN012.107 | CN012.988 | CHR9099.984 | |
| CHRYSLER | NEON | 07/96 - 07/02 | (JA) SEDAN | CN001.102 | | CN001.712 | |
| CHRYSLER | PT CRUISER | 07/00 - 03 | (PT) WAGON | CN005.107 | | CN005.897 | DRIVER'S SIDE ARMREST |
| CHRYSLER | PT CRUISER | 02 - 12/05 | (PG) TOURING WAGON | CN007.107 | | CN006.897 | |
| CHRYSLER | PT CRUISER | 02 - 11/05 | (PG) CLASSIC, LIMITED WAGON | CN006.107 | | CN006.897 | |
| CHRYSLER | PT CRUISER | 12/05 - 10 | (PG) WAGON | CN008.102A | | CN006.897 | |
| CHRYSLER | VOYAGER | 02/97 - 04/01 | (GS) SE SPORTS WAGON | CN010.107 | CN011.718 | CHR9098.714 | |

| MAKE | MODEL | YEAR | SERIES & SUB MODEL | Front Pattern Number | Middle Pattern Number | Rear Pattern Number | Notes |
|---------|------------|---------------|--------------------------------|----------------------|-----------------------|---------------------|-------|
| CITROEN | BERLINGO | 10/16 - 03/19 | L1, M CONFORT Vti 3DR VAN | CIT1088.412 | | | |
| CITROEN | C2 | 09/03 - 12/08 | 2DR HATCH | CK002.108C | | CK002.521 | |
| CITROEN | C4 | 02/06 - 09/11 | HDI 4DR HATCH | CK007.102C | | CK007.987 | |
| CITROEN | C4 CACTUS | 02/16 - 12/17 | (E3) EXCLUSIVE 1.6 E-HDI WAGON | CK009.118C | | CK009.1015 | |
| CITROEN | C4 CACTUS | 09/14 - 03/19 | (E3) PURETECH WAGON | CK010.101C | | CK010.1015 | |
| CITROEN | C4 PICASSO | 09/07 - 01/13 | HDI 4DR WAGON | CK006.107C | CK006.990 | CIT9101.931 | |
| CITROEN | C5 | 06/05 - 08/08 | HATCH | CK001.107C | | CK001.972 | |

| MAKE | MODEL | YEAR | SERIES & SUB MODEL | Front Pattern Number | Middle Pattern Number | Rear Pattern Number | Notes |
|-------|---------|--------------|--|----------------------|-----------------------|---------------------|--|
| CLAAS | TRACTOR | 07 - CURRENT | ARES, ARION, ATLES, ATOS, AXION, AXOS, CELTIS, XERION 781 & 782 (EXCLUDES ARION 600 SERIES & AXION 800/900 SERIES FROM 2013+) TRACTOR WITH GRAMMER 721, 731, 741 DRIVER SEAT ONLY. | CLA1361.183 | | | AOF ONLY. GRAMMER 721, 731, 741 DRIVER SEAT - WITHOUT HEATING, CLIMATE CONTROL AND DUALMOTION HEADREST. |
| CLAAS | TRACTOR | N/A | ARION 650-610, 650-620, 660-510 & AXION 870-810, 950-920, 960-930 TRACTOR WITH SEARS D55 SEAT | CLA1415.198 | | | AOF ONLY. SEARS D55 DRIVER SEAT. ARMRESTS NOT COVERED |

| MAKE | MODEL | YEAR | SERIES & SUB MODEL | Front Pattern Number | Middle Pattern Number | Rear Pattern Number | Notes |
|------|-------|---------|---|----------------------|-----------------------|---------------------|-----------------------|
| COBO | M98 | CURRENT | HIGH BACKREST, INTERACTIVE COMFORT SEAT (ICS) TO SUIT MAGNI TELEHANDLER RTH5.18 | COB1572.245 | | | AOF ONLY. SINGLE SEAT |
| COBO | M293 | CURRENT | HIGH BACKREST, INTERACTIVE COMFORT SEAT (ICS) TO SUIT MAGNI TELEHANDLER RTH5.18 | COB1572.245 | | | AOF ONLY. SINGLE SEAT |

| MAKE | MODEL | YEAR | SERIES & SUB MODEL | Front Pattern Number | Middle Pattern Number | Rear Pattern Number | Notes |
|--------|---------|---------------|---------------------------------|----------------------|-----------------------|---------------------|-----------------------|
| DAEWOO | 1.5i | 07/94 - 10/95 | SEDAN | CJ001.101C | | CJ001.802 | |
| DAEWOO | 1.5i | 07/94 - 10/95 | 2DR & 4DR HATCH | CJ001.101C | | CJ002.508 | |
| DAEWOO | CIELO | 10/95 - 96 | GL 2DR HATCH | CJ005.101C | | CJ004.704 | |
| DAEWOO | CIELO | 10/95 - 07/97 | GL 4DR HATCH | CJ004.101C | | CJ004.704 | |
| DAEWOO | CIELO | 10/95 - 07/97 | GL, GLX SEDAN | CJ006.101C | | CJ001.802 | |
| DAEWOO | CIELO | 10/95 - 07/97 | GLX 4DR HATCH | CJ010.101 | | CJ010.509 | |
| DAEWOO | CIELO | 96 - 02/98 | GL 2DR HATCH | CJ001.101C | | CJ007.802 | |
| DAEWOO | ESPERO | 95 - 97 | CD SEDAN | CJ003.102C | | CJ003.803 | |
| DAEWOO | KALOS | 04/03 - 12/04 | (T200) SEDAN | CJ028.102C | | CJ028.887 | DM |
| DAEWOO | LACETTI | 09/03 - 12/04 | (J200) SEDAN | CJ029.102C | | CJ029.965 | |
| DAEWOO | LANOS | 08/97 - 98 | SE 2DR HATCH | CJ008.101C | | CJ008.829 | |
| DAEWOO | LANOS | 08/97 - 98 | SE 4DR HATCH | CJ008.101C | | CJ008.829 | |
| DAEWOO | LANOS | 08/97 - 00 | SEDAN | CJ008.101C | | CJ014.802 | |
| DAEWOO | LANOS | 98 - 00 | 2DR HATCH | CJ017.101C | | CJ017.808 | |
| DAEWOO | LANOS | 98 - 03/03 | SE 4DR HATCH | CJ017.101C | | CJ017.808 | |
| DAEWOO | LANOS | 00 - 03/03 | SEDAN | CJ021.102C | | CJ021.808 | |
| DAEWOO | LANOS | 00 - 03/03 | 2DR HATCH | CJ021.102C | | CJ021.808 | |
| DAEWOO | LEGANZA | 07/97 - 01/04 | (V100) 2.2, SX SEDAN | CJ013.102 | | CJ013.881 | |
| DAEWOO | MATIZ | 10/99 - 02 | (M100) SE 2DR HATCH | CJ023.102C | | CJ023.906 | |
| DAEWOO | MATIZ | 02 - 12/04 | (M150) SE 2DR HATCH | CJ024.102C | | CJ024.906 | |
| DAEWOO | NUBIRA | 06/97 - 05/03 | (J100, J150) CDX EUROWAGON | CJ011.101C | | CJ011.878 | |
| DAEWOO | NUBIRA | 06/97 - 02 | (J100, J150) SEDAN | CJ012.101C | | CJ012.802 | |
| DAEWOO | NUBIRA | 05/98 - 99 | (J100, J150) CDX SEDAN | CJ015.101 | | CJ011.878 | |
| DAEWOO | NUBIRA | 05/98 - 02 | (J100, J150) SE, X HATCH | CJ016.101 | | CJ011.878 | |
| DAEWOO | NUBIRA | 99 - 00 | (J100, J150) CDX SEDAN | CJ016.101 | | CJ011.878 | |
| DAEWOO | NUBIRA | 00 - 06 | (J100, J150) CDX SEDAN OR WAGON | CJ020.102C | | CJ020.904 | |
| DAEWOO | TACUMA | 11/00 - 12/04 | WAGON | CJ024.107 | | CJ024.914 | DRIVER'S SIDE ARMREST |

| MAKE | MODEL | YEAR | SERIES & SUB MODEL | Front Pattern Number | Middle Pattern Number | Rear Pattern Number | Notes |
|------|-------|--------------|-------------------------------------|----------------------|-----------------------|---------------------|----------|
| DAF | CF | 07 - 20 | 75, 85 MANUAL TRANSMISSION TRUCK | DF001.124 | | | |
| DAF | CF | 07 - 20 | 75, 85 AUTOMATIC TRANSMISSION TRUCK | DF002.123 | | | |
| DAF | LF | 07 - CURRENT | 45, 55 MANUAL TRANSMISSION TRUCK | DF001.124 | | | |
| DAF | LF | 07 - CURRENT | 45, 55 AUTOMATIC TRANSMISSION TRUCK | DF002.123 | | | |
| DAF | LF | 17 - CURRENT | 280 3 SEAT TRUCK | DF041.137 | | | A/O ONLY |
| DAF | XF | 08 - 20 | 105 2 SEAT TRUCK | DF003.125 | | | |

| MAKE | MODEL | YEAR | SERIES & SUB MODEL | Front Pattern Number | Middle Pattern Number | Rear Pattern Number | Notes |
|----------|----------|---------------|------------------------------|----------------------|-----------------------|---------------------|----------------------|
| DAIHATSU | APPLAUSE | 10/89 - 11/92 | RI SPORTS SEDAN | CU042.101C | | CU041.811 | |
| DAIHATSU | APPLAUSE | 10/89 - 02/94 | SEDAN LI | CU040.101C | | CU040.702 | |
| DAIHATSU | APPLAUSE | 10/89 - 12/97 | SEDAN XI | CU040.101C | | CU041.811 | |
| DAIHATSU | CENTRO | 95 - 98 | 2DR & 4DR HATCH | CU070.102C | | CU070.707 | |
| DAIHATSU | CHARADE | 78 - 83 | 4DR HATCH | CU001.101C | | CU001.702 | |
| DAIHATSU | CHARADE | 83 - 87 | CX HATCH | CU002.101 | | CU002.829 | |
| DAIHATSU | CHARADE | 83 - 87 | CS, TE HATCH | | | CU016.829 | |
| DAIHATSU | CHARADE | 85 - 88 | TURBO HATCH | CU003.101A | | CU002.829 | |
| DAIHATSU | CHARADE | 88 - 91 | CR, CS, CX, CXT 4DR HATCH | CU005.101 | | CU004.829 | |
| DAIHATSU | CHARADE | 10/88 - 92 | CS 4DR HATCH | | | CU015.702 | |
| DAIHATSU | CHARADE | 10/88 - 07/93 | CS, CX, CXT HATCH | | | CU004.829 | |
| DAIHATSU | CHARADE | 10/88 - 07/93 | TS HATCH | CU006.101A | | CU006.702 | |
| DAIHATSU | CHARADE | 07/89 - 07/93 | SG SEDAN | CU006.101A | | CU008.808 | |
| DAIHATSU | CHARADE | 92 - 93 | CS 4DR HATCH | | | CU009.702 | |
| DAIHATSU | CHARADE | 06/93 - 04/96 | CS HATCH | CU006.101A | | CU007.829 | |
| DAIHATSU | CHARADE | 06/93 - 04/96 | CX 4DR HATCH | CU006.101A | | CU007.829 | |
| DAIHATSU | CHARADE | 08/94 - 12/97 | DI, SI SEDAN | CU006.101A | | CU007.829 | |
| DAIHATSU | CHARADE | 05/96 - 97 | CS 2DR & 4DR HATCH | CU017.101 | | CU017.808 | |
| DAIHATSU | CHARADE | 97 - 11/99 | CS 2DR & 4DR HATCH | CU017.101 | | CU019.808 | |
| DAIHATSU | CHARADE | 07/03 - 07 | 2DR HATCH | CU014.101C | | CU014.711 | |
| DAIHATSU | CUORE | 07/00 - 09/03 | 2DR HATCH | | | CU101.808 | |
| DAIHATSU | DELTA | 11/84 - 05/98 | DUAL CAB | CU057.302 | | CU057.701 | |
| DAIHATSU | DELTA | 89 - 12/02 | 2 - 3 TONNE WIDE CAB TRUCK | CU055.304 | | | |
| DAIHATSU | DELTA | 89 - 12/02 | 2 - 3 TONNE NARROW CAB TRUCK | CU057.302 | | | |
| DAIHATSU | DELTA | 12/02 - 05 | (V118RD) NARROW CAB TRUCK | DAI1411.304 | | | FABRIC SKIRT PATTERN |
| DAIHATSU | FEROZA | 10/88 - 12/93 | CX SOFT TOP | CU052.102C | | CU052.702 | |
| DAIHATSU | FEROZA | 10/88 - 11/92 | DX, EL RESIN TOP | CU050.101C | | CU050.701 | |
| DAIHATSU | FEROZA | 11/92 - 12/93 | SXP II HARDTOP | CU050.101C | | CU051.848 | |
| DAIHATSU | FEROZA | 09/96 - 03/98 | LIMITED EDITION RESIN TOP | CU050.101C | | CU051.848 | |
| DAIHATSU | HANDIVAN | 86 - 90 | 1000 CAB DELUXE VAN | CU010.102 | | CU010.702 | |
| DAIHATSU | HANDIVAN | 88 - 91 | L80V VAN | CU012.102 | | | |
| DAIHATSU | HANDIVAN | 95 - 98 | L500S VAN | CU070.102C | | | |
| DAIHATSU | HIJET | 84 - 89 | DELUXE VAN | | | CU010.702 | |
| DAIHATSU | MIRA | 04/92 - 04/95 | MS, MX HATCH | | | CU046.702 | |
| DAIHATSU | PYZAR | 02/97 - 07/00 | 2WD WAGON | | | CU080.811 | |
| DAIHATSU | ROCKY | 06/84 - 01/89 | DX, EX LWB HARDTOP | CU020.104 | | CU020.702 | |
| DAIHATSU | ROCKY | 06/84 - 01/89 | DX, EX SWB HARDTOP | CU021.101C | | CU021.830 | |
| DAIHATSU | ROCKY | 84 - 93 | F75V HARDTOP | CU024.102 | | CU024.704 | |
| DAIHATSU | ROCKY | 93 - 99 | F78V HARDTOP | | | CU025.802 | |
| DAIHATSU | SIRION | 07/98 - 02 | 4DR HATCH | CU100.102 | | CU100.808 | |
| DAIHATSU | SIRION | 03 - 02/05 | 4DR HATCH | CU100.102 | | CU103.802 | |
| DAIHATSU | TERIOS | 07/97 - 12/05 | DX SUV | CU090.102C | | CU090.503 | DM |
| DAIHATSU | TERIOS | 07/97 - 12/05 | SX SUV | CU090.102C | | CU091.709 | DM |
| DAIHATSU | YRV | 07/01 - 01/05 | (M201G) 4DR HATCH | CU095.102D | | CU095.931 | |

| MAKE | MODEL | YEAR | SERIES & SUB MODEL | Front Pattern Number | Middle Pattern Number | Rear Pattern Number | Notes |
|------|---------|--------------|-----------------------------|----------------------|-----------------------|---------------------|------------------------|
| DFAC | CAPTAIN | 22 - CURRENT | CAPTAIN E 4500 / 6000 TRUCK | DFA1608.249 | | | AOF ONLY. MT105 |

| MAKE | MODEL | YEAR | SERIES & SUB MODEL | Front Pattern Number | Middle Pattern Number | Rear Pattern Number | Notes |
|-------|--------------|--------------|--|----------------------|-----------------------|---------------------|----------|
| DIECI | CEMENT MIXER | 20 - CURRENT | F7000, L3500 & L4700 CEMENT MIXER | DIE1512.314 | | | AOF ONLY |
| DIECI | DUMPER | 20 - CURRENT | DUMPER 7000 | DIE1512.314 | | | AOF ONLY |
| DIECI | TELEHANDLER | 20 - CURRENT | PEGASUS - CLASSIC, ELITE & ESSENTIAL TELEHANDLER | DIE1511.167 | | | AOF ONLY |
| DIECI | TELEHANDLER | 17 - CURRENT | ACTIVO S55 SERIES BVB1156 OPERATOR SEAT | DIE1447.222 | | | AOF ONLY |
| DIECI | TELEHANDLER | 24 - CURRENT | 4T ICARUS & RUNNER TELEHANDLER | DIE1556.222 | | | AOF ONLY |

| MAKE | MODEL | YEAR | SERIES & SUB MODEL | Front Pattern Number | Middle Pattern Number | Rear Pattern Number | Notes |
|-------|-------|---------------|--------------------|----------------------|-----------------------|---------------------|-------|
| DODGE | NITRO | 06/07 - 06/12 | (KA) SXT, SX-R SUV | DOD1144.102C | | DOD5141.1097 | |

| MAKE | MODEL | YEAR | SERIES & SUB MODEL | Front Pattern Number | Middle Pattern Number | Rear Pattern Number | Notes |
|----------|--------|--------------|--------------------------|----------------------|-----------------------|---------------------|---|
| DONGFENG | EQ6760 | 18 - CURRENT | 28 SEAT BUS, SINGLE SEAT | DON1371.524 | | | A/O ONLY. UNIVERSAL SEATBELT ALLOWANCE (FROM LEFT OR RIGHT) |

| MAKE | MODEL | YEAR | SERIES & SUB MODEL | Front Pattern Number | Middle Pattern Number | Rear Pattern Number | Notes |
|---------|---------|--------------|---|----------------------|-----------------------|---------------------|---|
| DYNAPAC | ROLLER | 22 - CURRENT | (BE-GE 3400 SEAT) ROLLER | DYN1407.182 | | | A/O ONLY |
| DYNAPAC | ROLLER | 22 - CURRENT | CC1100VI & CC1200VI ROLLER | DYN1410.179 | | | A/O ONLY. ARMREST NOT COVERED. |
| DYNAPAC | ROLLER | 22 - CURRENT | (BE-GE 9000 SEAT) CA35, CA1500PD, CA3500D, CA4600, CA5000D, CA6000D, CC2200, CO2200, CP224, CP274, CP2100 & CS1400 VI ROLLERS WITH HEADREST | DYN1417.180 | | | A/O ONLY |
| DYNAPAC | ROLLER | 22 - CURRENT | CA1500D, CA3500D, CA4000D, CA4600D & CA5000D ROLLER WITHOUT HEADREST | DYN1481.229 | | | A/O ONLY |
| DYNAPAC | ROLLER | 22 - CURRENT | CA50, CA55 ROLLER | DYN1559.320 | | | A/O ONLY |
| DYNAPAC | ROLLER | 22 - CURRENT | (BE-GE SEAT) CP1200W ROLLER | DYN1440.180 | | | A/O ONLY. ARMREST & HEADREST NOT COVERED. HEADREST ALLOWED FOR. |
| DYNAPAC | ROLLER | 22 - CURRENT | CC1250 ROLLER | DYN1479.179 | | | A/O ONLY |
| DYNAPAC | ROLLER | 22 - CURRENT | CC1400 ROLLER | DYN1486.179 | | | A/O ONLY |
| DYNAPAC | SD1800W | 22 - CURRENT | WHEELED PAVER | DYN1392.188 | | | A/O ONLY |
| DYNAPAC | SD2500 | 22 - CURRENT | DUAL SEAT ROLLER | DYN1461.109C | | | A/O ONLY. ARMRESTS NOT COVERED |

| MAKE | MODEL | YEAR | SERIES & SUB MODEL | Front Pattern Number | Middle Pattern Number | Rear Pattern Number | Notes |
|---------|----------|-----------------|--------------------|----------------------|-----------------------|---------------------|-------|
| FARIZON | SUPERVAN | 12/24 - CURRENT | SV2 VAN | FAR1669.412 | | | |
| FARIZON | SUPERVAN | 12/24 - CURRENT | SV3 | FAR1668.176 | | | |

| MAKE | MODEL | YEAR | SERIES & SUB MODEL | Front Pattern Number | Middle Pattern Number | Rear Pattern Number | Notes |
|------|--------|-----------------|-----------------------------|----------------------|-----------------------|---------------------|----------|
| FIAT | 500 | 02/10 - 04/18 | ALL BADGES 2DR HATCH | FIA1249.102G | | FIA5230.1118 | |
| FIAT | 500X | 11/15 - CURRENT | ALL BADGES SUV | FIA1188.102G | | FIA5182.1008 | |
| FIAT | DUCATO | 02/07 - CURRENT | CAMPER VAN | FIA1206.109C | | | |
| FIAT | DUCATO | 02/07 - CURRENT | AUTO TRAIL SEATS CAMPER VAN | FIA1255.163 | | | RM - GBB |
| FIAT | DUCATO | 09 - CURRENT | ALL BADGES VAN | FI001.139 | | | |

| MAKE | MODEL | YEAR | SERIES & SUB MODEL | Front Pattern Number | Middle Pattern Number | Rear Pattern Number | Notes |
|------|------------|-----------------|------------------------------------|----------------------|-----------------------|---------------------|--|
| FORD | CAPRI | 90 - 93 | (SA, SB, SC) 2DR CONVERTIBLE | CF133.102A | | CF133.701 | |
| FORD | CAPRI | 93 - 95 | (SE) XR2 2DR CONVERTIBLE | CF134.102A | | CF133.701 | |
| FORD | CORSAIR | 89 - 92 | (UA) GL SEDAN | CF153.101A | | CF153.831 | |
| FORD | CORSAIR | 89 - 92 | (UA) GHIA SEDAN | CF153.101A | | CF154.810 | |
| FORD | CORSAIR | 89 - 92 | (UA) GL SUPER HATCH | CF153.101A | | CD104.846 | |
| FORD | CORSAIR | 89 - 92 | (UA) GHIA SUPER HATCH | CF153.101A | | CF156.847 | |
| FORD | COURIER | 88 - 02/99 | (PB, PC, PD) XL DUAL CAB | CF116.101C | | CF116.701 | |
| FORD | COURIER | 88 - 04/96 | (PB, PC) XL DUAL CAB | CF117.202 | | CF116.701 | |
| FORD | COURIER | 88 - 02/99 | (PB, PC, PD) LITE SINGLE CAB | CF117.202 | | | NO SEAT BELT HOLES |
| FORD | COURIER | 86 - 02/99 | (PB, PC, PD) ALL BADGES SINGLE CAB | CF113.203 | | | |
| FORD | COURIER | 02/99 - 02 | (PE) XL SINGLE CAB | FOR1499.202 | | | |
| FORD | COURIER | 02/99 - 12/06 | (PE, PG, PH) GL, XLT DUAL CAB | CF402.102C | | CF192.801 | |
| FORD | COURIER | 02/99 - 12/06 | (PE, PG, PH) GL SINGLE CAB | FOR1499.202 | | | |
| FORD | COURIER | 02/99 - 12/06 | (PE, PG, PH) GL DUAL CAB | CF402.102C | | CF402.704 | |
| FORD | COURIER | 02/99 - 12/06 | XL SINGLE CAB | CF402.102C | | | |
| FORD | COURIER | 02/99 - 12/06 | (PE, PG, PH) SUPERCAB | CF404.102C | | CF404.902 | |
| FORD | ECONOVAN | 06/79 - 04/84 | VAN | CF055.406 | | CF055.702 | |
| FORD | ECONOVAN | 06/79 - 04/84 | 100 VAN | CF147.304 | | | |
| FORD | ECONOVAN | 06/79 - 04/84 | 80 VAN | CF110.302 | | CF056.702 | |
| FORD | ECONOVAN | 04/84 - 05/97 | MAXI VAN | CF056.302 | | CF056.702 | |
| FORD | ECONOVAN | 04/84 - 05/97 | XL VAN | CF056.302 | | CF056.702 | |
| FORD | ECONOVAN | 05/97 - 01 | ALL BADGES VAN | CF058.301 | | | |
| FORD | ECOSPORT | 10/13 - 12/17 | (BK) TITANIUM, TREND SUV | CF459.102C | | CF459.984 | |
| FORD | ECOSPORT | 10/13 - 10/19 | (BK) AMBIENTE SUV | CF459.102C | | CF459.984 | |
| FORD | ECOSPORT | 12/17 - 10/19 | (BL) TITANIUM, TREND SUV | CF481.101C | | CF481.987 | |
| FORD | ENDURA | 11/18 - CURRENT | (CA) ST-L, TITANIUM, TREND SUV | FOR1211.102C | | FORS200.523 | NO DVD ALLOWANCE IN FRONT HEADRESTS |
| FORD | ESCAPE | 02/01 - 05/06 | (BA, ZA, ZB) V6 XLS, XLT SUV | CF245.101C | | CF245.509 | DM |
| FORD | ESCAPE | 06/06 - 03/08 | (ZC) XLT 4X4 SUV | CF246.101C | | CF246.912 | DM |
| FORD | ESCAPE | 06/06 - 03/08 | (ZC) XLS 4X4 SUV | CF246.101C | | CF247.947 | DM |
| FORD | ESCAPE | 04/08 - 01/12 | (ZD) XLS, XLT SUV | CF246.101C | | CF246.912 | DM |
| FORD | ESCAPE | 10/16 - 04/20 | (ZG) ALL BADGES SUV | FOR1066.102C | | FORS062.1022 | RM- G2B, WEB |
| FORD | ESCAPE | 04/20 - 12/24 | (ZH) ST-LINE PETROL SUV | FOR1254.102C | | FORS232.991 | RM - TRG. A/O AVAILABLE |
| FORD | ESCAPE | 04/20 - 12/24 | (ZH) ST-LINE PHEV, VIGNALE SUV | FOR1254.102C | | FORS373.1156 | RM1254 - TRG. A/O AVAILABLE |
| FORD | EVEREST | 07/15 - 05/22 | (UA) AMBIENTE, SPORT, TREND SUV | FOR1003.102C | FOR5046.987 | FOR9023.931 | RM1003 - EMB, G2B, GBB, GBL, GBO, STB, STC, TRB, TRG, WEB. RM5046 - G2B, GBB, WEB. RM9023 - G2B. AOF AVAILABLE 1003. |
| FORD | EVEREST | 07/15 - 05/22 | (UA) TITANIUM SUV | FOR1396.102C | FOR5046.987 | FOR9023.931 | RM5046 - G2B, GBB, WEB. RM9023 - G2B |
| FORD | EVEREST | 06/22 - CURRENT | (MY23.5) ALL BADGES SUV | FOR1351.121 | FOR5319.979 | FOR9043.931 | RM1351 - EMB, G2B, GBB, GBL, GBO, RCB, STB, STC, TRB, TRG, WEB. RM5319 - G2B, GBB, GBL. RM9043 - GBB. AOF AVAILABLE 1351 & 5319. |
| FORD | EXPEDITION | 97 - 04 | XLT SUV | CF442.116 | CF442.515 | FOR9089.802 | |
| FORD | EXPLORER | 10/96 - 06/99 | (UN, UP) XLT SUV | CF249.110 | | FORS288.876 | |
| FORD | EXPLORER | 10/96 - 06/99 | (UN, UP) XL SUV | CF249.110 | FORS288.876 | FOR9090.704 | |
| FORD | EXPLORER | 06/99 - 10/01 | (UQ, US) XLT SUV | CF249.110 | FORS288.876 | FOR9090.704 | |
| FORD | EXPLORER | 11/01 - 03 | (UT, UX, UZ) XLT SUV | CF253.102C | CF253.933 | FOR9091.934 | |
| FORD | EXPLORER | 03 - 01/08 | (UT, UX, UZ) XLT SUV | CF253.102C | CF254.959 | FOR9091.934 | |
| FORD | F SERIES | 67 - 94 | F250 UTE | CF090.201 | | | |
| FORD | F SERIES | 70 - 89 | F350 UTE | CF090.201 | | | |
| FORD | F SERIES | 74 - 12/87 | F100 UTE | CF090.201 | | | |
| FORD | F SERIES | 08/87 - 12/92 | F150 UTE | CF090.201 | | | |
| FORD | F SERIES | 07/01 - 06/07 | F250 UTE | CF093.402 | | CF093.920 | 3 SEATS FRONT |
| FORD | F SERIES | 07/01 - 06/07 | F250 UTE | CF094.116 | | CF094.701 | DRIVER / PASSENGER ARMREST ON FRONT |
| FORD | F SERIES | 18 - CURRENT | F350 SUPER DUTY XLT UTE | FOR1564.242 | | FORS407.1159 | |

| MAKE | MODEL | YEAR | SERIES & SUB MODEL | Front Pattern Number | Middle Pattern Number | Rear Pattern Number | Notes |
|------|----------|---------------|--|----------------------|-----------------------|---------------------|--|
| FORD | F SERIES | 21 - CURRENT | F150 LARIAT, F150 PLATINUM UTE | FOR1485.102C | | FORS374.1022 | RM1485 - GBB |
| FORD | F SERIES | 21 - CURRENT | F150 XLT UTE | FOR1485.102C | | FORS375.1097 | RM - GBB |
| FORD | FAIRLANE | 05/79 - 09/84 | (ZJ, ZK) SEDAN | | | CF040.801 | |
| FORD | FAIRLANE | 10/84 - 05/88 | (ZL) SEDAN | | | CF041.820 | |
| FORD | FAIRLANE | 06/88 - 03/95 | (NA, NC) SEDAN | | | CF012.832 | |
| FORD | FAIRLANE | 07/91 - 09/96 | (NC, NF) GHIA SEDAN | CF014.101B | | CF012.832 | |
| FORD | FAIRLANE | 09/96 - 03/99 | (NL) GHIA SEDAN | CF044.101 | | CF012.832 | |
| FORD | FAIRLANE | 07/00 - 07/02 | (AU2, DU, NU) SEDAN | CF297.102C | | CF297.832 | REAR ARMREST NOT COVERED |
| FORD | FAIRLANE | 07/02 - 09/05 | (BA) GHIA SEDAN | CF301.102C | | FORS165.948 | RM5165 - G2B |
| FORD | FAIRMONT | 11/73 - 02/79 | (XB, XC) SEDAN | | | CF035.805 | |
| FORD | FAIRMONT | 03/79 - 10/84 | (XD, XE) GHIA SEDAN | | | CF032.801 | |
| FORD | FAIRMONT | 10/84 - 02/88 | (XF) GHIA SEDAN | | | CF031.819 | |
| FORD | FAIRMONT | 10/84 - 02/88 | (XF) GHIA SEDAN | | | CF033.820 | |
| FORD | FAIRMONT | 03/88 - 06/91 | (EA) GHIA SEDAN & WAGON | | | CF012.832 | |
| FORD | FAIRMONT | 07/91 - 08/94 | (EB, ED) GHIA SEDAN & WAGON | CF014.101B | | CF012.832 | |
| FORD | FAIRMONT | 07/91 - 08/93 | (EB, ED) GHIA SEDAN | CF018.108A | | CF012.832 | |
| FORD | FAIRMONT | 08/94 - 09/96 | (EF) GHIA SEDAN & WAGON | CF019.111 | | CF012.832 | |
| FORD | FAIRMONT | 09/96 - 08/90 | (EL) GHIA SEDAN | CF014.101B | | CF012.832 | |
| FORD | FAIRMONT | 09/98 - 04/00 | (AU1) GHIA SEDAN & WAGON | CF290.102C | | CF293.895 | |
| FORD | FAIRMONT | 04/00 - 10/01 | (AU2) WAGON | CF290.102C | | CF299.868 | |
| FORD | FAIRMONT | 04/00 - 10/01 | (AU2) SEDAN | CF290.102C | | CF303.832 | |
| FORD | FAIRMONT | 11/01 - 09/02 | (AU3) SEDAN | CF290.102C | | CF267.895 | |
| FORD | FAIRMONT | 09/02 - 09/05 | (BA) GHIA SEDAN | CF301.102C | | FORS165.948 | RM5165 - G2B |
| FORD | FALCON | 03/72 - 12/87 | (XA, XB, XC, XD, XE) SEDAN, WAGON, UTE | CF001.204 | | | |
| FORD | FALCON | 03/79 - 09/84 | (XD, XE) GL SEDAN | | | CF002.805 | |
| FORD | FALCON | 03/79 - 09/84 | (XD, XE) SEDAN, WAGON | CF005.205A | | | |
| FORD | FALCON | 10/84 - 02/88 | (XF) GL, S-PAK SEDAN | | | CF020.817 | |
| FORD | FALCON | 10/84 - 02/88 | (XF) SEDAN, WAGON | CF006.205 | | | SEPARATE ADJ H/RESTS. COVERED AS MOULDED |
| FORD | FALCON | 03/88 - 10/91 | (EA) GL, S SEDAN | CF014.101B | | CF014.831 | |
| FORD | FALCON | 03/88 - 10/91 | (EA) GL, S WAGON | | | CF014.831 | |
| FORD | FALCON | 02/88 - 03/93 | (EA, XF) SEDAN, WAGON, UTE, VAN | CF007.205B | | | |
| FORD | FALCON | 07/91 - 08/93 | (EB) S PACK SEDAN | CF016.102 | | CF014.831 | |
| FORD | FALCON | 07/91 - 08/93 | (EB) S WAGON | CF017.102 | | CF014.831 | |
| FORD | FALCON | 07/91 - 08/94 | (EB, ED) GL, GLI, FUTURA SEDAN | CF014.101B | | CF014.831 | |
| FORD | FALCON | 07/91 - 08/94 | (EB, ED) GL, GLI, FUTURA WAGON | CF014.101B | | CF014.831 | |
| FORD | FALCON | 07/91 - 08/94 | (EB, ED) XR6, XR8, SPRINT SEDAN | CF018.108A | | | |
| FORD | FALCON | 03/93 - 03/96 | (XG) LONGREACH UTE | CF007.205B | | CF014.831 | |
| FORD | FALCON | 10/93 - 03/96 | (XG) XR6 LONGREACH UTE | CF262.101A | | CF014.831 | |
| FORD | FALCON | 08/94 - 09/96 | (EF) GLI FUTURA SEDAN & WAGON | CF019.111 | | CF012.832 | |
| FORD | FALCON | 08/94 - 09/96 | (EF) GL, GLI SEDAN | CF019.111 | | CF014.831 | |
| FORD | FALCON | 08/94 - 09/96 | (EF) GLI WAGON | CF019.111 | | CF014.831 | |
| FORD | FALCON | 08/94 - 09/96 | (EF) XR6, XR8 SEDAN, WAGON | CF025.108 | | CF025.868 | |
| FORD | FALCON | 04/96 - 06/99 | (XH) GLI LONGREACH TRADESMAN UTE | CF294.205B | | | CONTOURED BACKREST |
| FORD | FALCON | 04/96 - 06/99 | (XH) LONGREACH TRADESMAN UTE | CF295.102C | | | |
| FORD | FALCON | 04/96 - 06/99 | (XH) LONGREACH UTE, VAN | CF019.111 | | | |
| FORD | FALCON | 09/96 - 08/98 | (EL) FUTURA WAGON | CF026.101 | | CF028.832 | |
| FORD | FALCON | 09/96 - 08/98 | (EL) GLI SAPPHIRE SEDAN | CF026.101 | | CF014.831 | |
| FORD | FALCON | 09/96 - 08/98 | (EL) GLI WAGON | CF026.101 | | CF014.831 | |
| FORD | FALCON | 09/96 - 08/98 | (EL) XR6, XR8 SEDAN | CF262.101 | | CF025.868 | |
| FORD | FALCON | 07/98 - 09/02 | (AU1, AU2, AU3) XL, XL TRADESMAN UTE | CF266.305 | | | |

| MAKE | MODEL | YEAR | SERIES & SUB MODEL | Front Pattern Number | Middle Pattern Number | Rear Pattern Number | Notes |
|------|---------|---------------|---------------------------------------|----------------------|-----------------------|---------------------|---|
| FORD | FALCON | 07/98 - 09/02 | (AU1, AU2, AU3) XR6, XR8 UTE | CF288.108D | | | |
| FORD | FALCON | 09/98 - 10/01 | (AU1, AU2, AU3) XR6, XR8 SEDAN | CF288.108D | | CF290.883 | |
| FORD | FALCON | 09/98 - 11/01 | (AU1, AU2) ALL BADGES SEDAN & WAGON | CF290.102C | | CF290.883 | |
| FORD | FALCON | 04/00 - 09/02 | (AU2) XLS, XLS MARLIN UTE | CF298.102C | | | |
| FORD | FALCON | 11/01 - 09/02 | (AU3) ALL BADGES SEDAN & WAGON | CF290.102C | | CF296.831 | |
| FORD | FALCON | 09/02 - 09/05 | (BA) XR6, XR6T, XR8 SEDAN | CF309.102D | | CF302.951 | |
| FORD | FALCON | 09/02 - 09/05 | (BA) XT WAGON | CF301.102C | | CF307.831 | |
| FORD | FALCON | 09/02 - 04/08 | (BA, BF) FUTURA SEDAN | CF301.102C | | FOR5165.948 | RM5165 - G2B |
| FORD | FALCON | 09/02 - 04/08 | (BA, BF) XT, CLASSIC SEDAN | CF301.102C | | CF302.951 | |
| FORD | FALCON | 09/02 - 07/11 | (BA, BF) FUTURA WAGON | CF301.102C | | CF301.961 | |
| FORD | FALCON | 10/02 - 04/08 | (BA, BF) ALL BADGES UTE | CF308.305 | | | |
| FORD | FALCON | 10/02 - 04/08 | (BA, BF) XL, RTV UTE | CF301.102C | | | |
| FORD | FALCON | 10/05 - 04/08 | (BF) SR MK11 SEDAN | CF301.102C | | CF302.951 | |
| FORD | FALCON | 10/05 - 04/08 | (BF) XL TRADESMAN UTE | CF434.102C | | | |
| FORD | FALCON | 10/05 - 04/08 | (BF) XR6, XR6T MKII SEDAN | CF309.102D | | FOR5165.948 | RM5165 - G2B |
| FORD | FALCON | 10/05 - 04/08 | (BF) XR6, XR8 UTE | CF309.102D | | | |
| FORD | FALCON | 08 - 07/11 | (BF) XT MKIII WAGON | CF436.102C | | CF307.831 | |
| FORD | FALCON | 05/08 - 10/14 | (FG) G6 SEDAN | CF437.102C | | FOR5165.948 | RM5165 - G2B |
| FORD | FALCON | 05/08 - 11/14 | (FG) R6, XR6, XR8 2DR UTE | FOR1166.102D | | | RM1166 - G2B |
| FORD | FALCON | 05/08 - 11/14 | (FG) XR6, XR8 SEDAN | FOR1166.102D | | FOR5165.948 | RM - G2B |
| FORD | FALCON | 05/08 - 11/14 | (FG) XT SEDAN | CF436.102C | | CF302.951 | |
| FORD | FALCON | 01/12 - 07/16 | (FG, FG X) STD, XT 2DR UTE | CF443.102C | | | |
| FORD | FALCON | 12/14 - 07/16 | (FG X) STD 3 SEAT UTE | FOR1138.305 | | | CENTRE ARMREST / CUP HOLDER FOLDS UP FOR MIDDLE SEAT BACK REST. |
| FORD | FALCON | 12/14 - 10/16 | (FG X) XR6, XR8 SEDAN | CF473.102D | | FOR5165.948 | RM5165 - G2B |
| FORD | FESTIVA | 10/91 - 03/94 | (WA) HATCH | | | CF096.813 | |
| FORD | FESTIVA | 01/93 - 03/94 | (WA) TRIO 2DR HATCH | | | CF097.702 | |
| FORD | FESTIVA | 04/94 - 12/96 | (WB) GLI 4DR HATCH | CF098.110 | | CF098.806 | |
| FORD | FESTIVA | 04/94 - 12/96 | (WB) 2DR TRIO HATCH | CF098.110 | | CF099.806 | |
| FORD | FESTIVA | 02/97 - 12/00 | (WD, WF) GLI 4DR, TRIO 2DR HATCH | CF230.110 | | CF230.806 | |
| FORD | FIESTA | 11/01 - 12/08 | (WP, WQ) ALL BADGES HATCH | CF224.101C | | CF224.966 | |
| FORD | FIESTA | 01/09 - 07/13 | (WS, WT) CL 4DR HATCH | CF462.101C | | CF462.966 | |
| FORD | FIESTA | 01/09 - 12/10 | (WS) ZETEC 4DR HATCH | CF462.101C | | CF462.966 | |
| FORD | FIESTA | 08/13 - 01/19 | (WZ) TREND 4DR HATCH | CF462.101C | | CF462.966 | |
| FORD | FOCUS | 09/02 - 04/05 | (LR) CL, SR SEDAN | CF413.101C | | CF414.899 | OPTIONAL MIDDLE HEADREST |
| FORD | FOCUS | 09/02 - 04/05 | (LR) LX SEDAN | CF413.101C | | CF416.947 | |
| FORD | FOCUS | 09/02 - 04/05 | (LR) GHIA SEDAN | CF417.107C | | CF417.912 | DRIVERS SIDE ARMREST |
| FORD | FOCUS | 00/02 - 04/05 | (LR) LX HATCH | CF413.101C | | CF413.947 | |
| FORD | FOCUS | 00/02 - 04/05 | (LR) CL HATCH | CF413.101C | | CF415.899 | OPTIONAL MIDDLE HEADREST |
| FORD | FOCUS | 05/05 - 06/11 | (LS, LT, LV) LX, ZETEC HATCH OR SEDAN | CF418.102C | | CF418.979 | |
| FORD | FOCUS | 05/05 - 06/07 | (LS) CL HATCH & SEDAN | CF420.102C | | CF420.981 | |
| FORD | FOCUS | 06 - 08 | (LS, LT) CL HATCH | CF418.102C | | CF420.981 | |
| FORD | FOCUS | 06/07 - 03/09 | (LT) CL HATCH & SEDAN | CF418.102C | | CF425.991 | |
| FORD | FOCUS | 07/07 - 06/11 | (LT, LV) TDCI 4DR HATCH | CF418.102C | | CF418.979 | |
| FORD | FOCUS | 08 - 09 | (LT) CL HATCH | CF418.102C | | CF425.991 | |
| FORD | FOCUS | 06/08 - 06/11 | (LV) XRS HATCH | CF428.121 | | CF428.991 | |
| FORD | FOCUS | 04/09 - 10 | (LV) SEDAN | CF418.102C | | CF420.981 | |
| FORD | FOCUS | 10 - 06/11 | (LV) SEDAN | CF418.102C | | CF418.979 | |
| FORD | FOCUS | 07/11 - 06/12 | (LW) TREND HATCH | CF430.102C | | CF430.991 | |
| FORD | FOCUS | 07/11 - 06/12 | (LW) SPORT SEDAN | CF430.102C | | CF467.995 | |
| FORD | FOCUS | 11/11 - 06/12 | (LW) AMBIENTE, TREND SEDAN | CF430.102C | | CF430.991 | |

| MAKE | MODEL | YEAR | SERIES & SUB MODEL | Front Pattern Number | Middle Pattern Number | Rear Pattern Number | Notes |
|------|----------|---------------|--|----------------------|-----------------------|---------------------|-----------------------------|
| FORD | FOCUS | 07/12 - 09/15 | (LW) AMBIENTE SEDAN | CF430.102C | | CF469.1010 | |
| FORD | FOCUS | 07/12 - 09/15 | (LW) TREND HATCH | CF430.102C | | CF471.966 | |
| FORD | FOCUS | 07/12 - 09/15 | (LW) AMBIENTE HATCH | CF430.102C | | CF469.1010 | |
| FORD | FOCUS | 11/14 - 01/19 | (LZ) TREND HATCH | CF430.102C | | CF471.966 | |
| FORD | FOCUS | 08/15 - 01/19 | (LZ) SPORT 4DR HATCH | CF476.102C | | CF476.995 | |
| FORD | FOCUS | 10/18 - 12/22 | (SA) ST-LINE, ACTIVE HATCH & WAGON | FOR1123.102C | | FOR5117.1008 | |
| FORD | KA | 11/99 - 12/03 | (TA, TB) 2DR HATCH | CF410.101B | | CF410.707 | |
| FORD | KUGA | 11/12 - 01/16 | (TF) AMBIENTE, TREND SUV | CF193.102C | | CF193.987 | |
| FORD | LASER | 03/81 - 10/85 | (KA, KB) GL 2DR & 2DR HATCH | CF060.101 | | CF060.806 | |
| FORD | LASER | 03/81 - 10/85 | (KA, KB) GL 4DR HATCH | CF063.102B | | CF060.806 | |
| FORD | LASER | 03/81 - 09/85 | (KA, KB) GHIA, SPORT 4DR HATCH | | | CF064.811 | |
| FORD | LASER | 03/81 - 09/85 | (KA, KB) L 4DR HATCH | | | CF066.702 | |
| FORD | LASER | 10/85 - 02/90 | (KC, KE) GL 2DR & 4DR HATCH | | | CF060.806 | |
| FORD | LASER | 10/85 - 02/90 | (KC, KE) TX3 2DR HATCH | | | CF143.821 | |
| FORD | LASER | 10/85 - 04/90 | (KC, KE) GHIA 4DR HATCH | | | CF072.811 | |
| FORD | LASER | 10/87 - 02/90 | (KE) GL SEDAN | | | CF077.809 | |
| FORD | LASER | 10/87 - 02/90 | (KE) GHIA SEDAN | | | CF076.810 | |
| FORD | LASER | 10/87 - 04/89 | (KE) GHIA WAGON | | | CF072.811 | |
| FORD | LASER | 10/87 - 04/90 | (KE) TX3 TURBO 2DR HATCH | | | CF143.821 | |
| FORD | LASER | 10/87 - 04/90 | (KE) TX3 TURBO 4X4 2DR HATCH | CF145.102 | | CF145.809 | |
| FORD | LASER | 10/87 - 10/90 | (KE) GL WAGON | CF140.102 | | CF072.811 | |
| FORD | LASER | 03/90 - 10/94 | (KF, KH) GL, LIVEWIRE, S, GHIA 4DR HATCH | CF063.102B | | CF063.809 | |
| FORD | LASER | 03/90 - 10/94 | (KF, KH) GL, LIVEWIRE SEDAN | CF063.102B | | CF063.809 | |
| FORD | LASER | 03/90 - 10/94 | (KF, KH) GHIA SEDAN | CF063.102B | | CF069.810 | |
| FORD | LASER | 03/90 - 10/94 | (KF, KH) TX3, TX3 HATCH | CF063.102B | | CF200.838 | |
| FORD | LASER | 03/90 - 10/94 | (KF, KH) L, XL HATCH | | | CF202.828 | |
| FORD | LASER | 03/90 - 10/94 | (KH2) GL SEDAN | CF063.102B | | CF203.809 | LATCH HOLES BEHIND HEADREST |
| FORD | LASER | 03/90 - 12/94 | (KE2) GL WAGON | | | CF201.808 | |
| FORD | LASER | 10/94 - 97 | (KJ) LYNX 2DR HATCH | CF220.102 | | CF220.808 | |
| FORD | LASER | 10/94 - 12/98 | (KJ) LXI SEDAN | CF063.102B | | CF063.809 | |
| FORD | LASER | 10/94 - 12/98 | (KJ) LXI SEDAN | CF205.101 | | CF205.809 | KNOB BETWEEN HEADRESTS |
| FORD | LASER | 10/94 - 12/98 | (KJ) GLXI SEDAN | CF205.101 | | CF280.847 | |
| FORD | LASER | 10/94 - 03/99 | (KJ) GLXI, LXI, LXI LIATA HATCH | CF205.101 | | CF206.809 | |
| FORD | LASER | 03/99 - 08/02 | (KN) GLXI SEDAN | CF281.111 | | CF281.877 | |
| FORD | LASER | 03/99 - 08/02 | (KN, KQ) LXI SEDAN | CF282.102C | | CF282.808 | |
| FORD | LASER | 03/99 - 08/02 | (KN) LXI HATCH | CF282.102C | | CF283.899 | |
| FORD | LASER | 03/99 - 08/02 | (KN) GLXI, SR 4DR HATCH | CF281.111 | | CF284.514 | |
| FORD | LTD | 10/79 - 09/84 | (FC, FD) SEDAN | | | CF050.801 | |
| FORD | LTD | 06/88 - 06/91 | (DA) SEDAN | | | CF012.832 | |
| FORD | MAVERICK | 02/88 - 91 | (DA) XL 6 SEAT WAGON | CF120.401 | | CF120.701 | |
| FORD | MAVERICK | 02/88 - 91 | (DA) XL 7 SEAT WAGON | CF121.101 | CF121.503 | FOR9092.703 | |
| FORD | MAVERICK | 02/88 - 09/93 | (DA) XL, XLT 5 SEAT HARDTOP | CF121.101 | | CF122.702 | |
| FORD | MAVERICK | 02/88 - 09/93 | (DA) BUCKET & 3/4 BENCH UTE | CF120.401 | | | |
| FORD | MAVERICK | 91 - 09/93 | (DA) XL 7 SEAT WAGON | CD067.101 | CF125.709 | FOR9093.703 | |
| FORD | MAVERICK | 91 - 09/93 | (DA) XL 5 SEAT WAGON | CD067.101 | | CD077.704 | |
| FORD | METEOR | 04/82 - 09/85 | (GA, GB) GL SEDAN | | | CF070.809 | |
| FORD | METEOR | 04/82 - 09/85 | (GA, GB) GHIA SEDAN | | | CF071.810 | |
| FORD | METEOR | 10/85 - 09/87 | (GC) GL SEDAN | | | CF146.809 | |
| FORD | METEOR | 10/85 - 09/87 | (GC) GHIA SEDAN | | | CF076.810 | |
| FORD | METEOR | 03/86 - 09/87 | (GC) GL WAGON | | | CF072.811 | |

| MAKE | MODEL | YEAR | SERIES & SUB MODEL | Front Pattern Number | Middle Pattern Number | Rear Pattern Number | Notes |
|------|----------|-----------------|--|----------------------|-----------------------|---------------------|---|
| FORD | MONDEO | 01/94 - 11/96 | (HA, HB) LX WAGON | CF211.101C | | CF212.829 | |
| FORD | MONDEO | 07/95 - 11/96 | (HA, HB) GLX SEDAN | CF210.102C | | CF210.849B | |
| FORD | MONDEO | 07/95 - 11/96 | (HA, HB) LX SEDAN | CF211.101C | | CF211.829 | |
| FORD | MONDEO | 07/95 - 11/96 | (HA, HB) GLX HATCH | CF213.102C | | CF213.849A | |
| FORD | MONDEO | 10/96 - 10/00 | (HC, HD) LX WAGON | CF214.101 | | CF214.829 | |
| FORD | MONDEO | 12/96 - 12/00 | (HC, HD, HE) GLX SEDAN | CF214.101 | | CF215.516 | |
| FORD | MONDEO | 10/07 - 06/09 | (MA) LX SEDAN | CF455.102C | | CF455.979 | |
| FORD | MONDEO | 10/07 - 04/15 | (MA, MB, MC) TDCI, ZETEC HATCH | CF455.102C | | CF455.979 | |
| FORD | MONDEO | 05/10 - 04/15 | (MB, MC) LX, LX TDCI, ZETEC, ZETEC TDCI WAGON | CF455.102C | | CF455.979 | |
| FORD | MONDEO | 05/15 - 03/17 | (MD) AMBIENTE WAGON & HATCH | FOR1189.102C | | FOR5183.1015 | REAR CENTRE H/R TILT ALLOWANCE |
| FORD | MONDEO | 05/15 - 03/17 | (MD) TREND, TITANIUM WAGON & HATCH | FOR1189.102C | | NPR | |
| FORD | MONDEO | 03/17 - CURRENT | (MD) AMBIENTE WAGON & HATCH | FOR1189.102C | | NPR | |
| FORD | MONDEO | 03/17 - CURRENT | (MD) TREND, TITANIUM WAGON & HATCH | FOR1189.102C | | NPR | |
| FORD | MUSTANG | 08/14 - CURRENT | (FM, FN, FO) 2.3 GTDI, 2.3 HIGH PERFORMANCE, GT, MACH 1, R-SPEC COUPE | FOR1112.121 | | N/A | FACTORY STANDARD SEATS. REAR NOT AVAILABLE |
| FORD | MUSTANG | 08/14 - CURRENT | (FM, FN, FO) 2.3 GTDI, 2.3 HIGH PERFORMANCE, GT CONVERTIBLE | FOR1568.240 | | N/A | FACTORY STANDARD SEATS. REAR NOT AVAILABLE |
| FORD | PUMA | 05/20 - CURRENT | (JK) ALL BADGES HATCH | FOR1241.102C | | FOR5218.1113 | |
| FORD | RAIDER | 08/91 - 07/97 | (UV) WAGON | CF136.102 | CF136.511 | FOR9094.513 | |
| FORD | RANGER | 01/07 - 09 | (PJ) XL SINGLE CAB, BENCH SEAT | CF444.210 | | | |
| FORD | RANGER | 09 - 08/11 | (PK) XL SINGLE CAB, BENCH SEAT | FOR1168.117 | | | RM1168 - G2B. ARMREST NOT COVERED |
| FORD | RANGER | 01/07 - 08/11 | (PJ, PK) XL SINGLE CAB, BUCKET SEATS | FOR1167.111 | | | RM1167 - G2B, TRB, TRG. AO AVAILABLE. |
| FORD | RANGER | 01/07 - 08/11 | (PJ, PK) XL, XLT SUPER CAB | FOR1167.111 | | | RM1167 - G2B, TRB, TRG. AO AVAILABLE. |
| FORD | RANGER | 01/07 - 08/11 | (PJ, PK) XL, XLT WILDTRAK DUAL CAB | FOR1167.111 | | FOR5174.1005 | RM1167 - G2B, TRB, TRG. RM5174 - G2B. AOF AVAILABLE 1167. |
| FORD | RANGER | 09/11 - 05/15 | (PX) ALL BADGES DUAL CAB | FOR1003.102C | | FOR5002.982 | RM1003 - EMB, G2B, GBB, GBL, GBO, STB, STC, TRB, TRG, WEB. RM5002 - G2B, TRB, TRG. AOF AVAILABLE. PFM. CC02 - ANB & STC |
| FORD | RANGER | 09/11 - 07/15 | (PX) XL SINGLE CAB, BUCKET & 3/4 BENCH | FOR1067.401 | | | RM - G2B, TRB, TRG. AO AVAILABLE. |
| FORD | RANGER | 09/11 - 06/22 | (PX) XL SINGLE CAB, BUCKET SEATS | FOR1003.102C | | | RM - EMB, G2B, GBB, GBL, GBO, STB, STC, TRB, TRG, WEB. AOF AVAILABLE. CC02 - ANB & STC |
| FORD | RANGER | 09/11 - 06/22 | (PX) XL, XLT SUPER CAB | FOR1003.102C | | FOR5008.958 | RM1003 - EMB, G2B, GBB, GBL, GBO, STB, STC, TRB, TRG, WEB. RM5008 - G2B, TRG. AOF AVAILABLE. CC02 - ANB & STC |
| FORD | RANGER | 06/15 - 06/22 | (PX) ALL BADGES (EXCLUDES RAPTOR) DUAL CAB | FOR1003.102C | | FOR5001.907 | RM1003 - EMB, G2B, GBB, GBL, GBO, STB, STC, TRB, TRG, WEB. RM5001 - G2B, GBB, STC, TRB, TRG, WEB. AOF AVAILABLE. PFM. CC02 - ANB & STC |
| FORD | RANGER | 09/18 - 06/22 | (PX) RAPTOR DUAL CAB | FOR1113.121 | | FOR5001.907 | RM5001 - G2B, GBB, STC, TRB, TRG, WEB. AO AVAILABLE 5001. PFM |
| FORD | RANGER | 01/21 - 06/22 | (PX) ALL BADGES (EXCLUDES RAPTOR) DUAL CAB | FOR1003.102C | | FOR5002.982 | RM1003 - EMB, G2B, GBB, GBL, GBO, STB, STC, TRB, TRG, WEB. RM5002 - G2B, TRB, TRG. AOF AVAILABLE. PFM. CC02 - ANB & STC |
| FORD | RANGER | 06/22 - CURRENT | (PY) PLATINUM, SPORT, STORMTRAK (PHEV), SUPER DUTY, TREMOR, WILDTRAK, XLT DUAL CAB | FOR1351.121 | | FOR5307.1139 | RM1351 - EMB, G2B, GBB, GBL, GBO, RCB, STB, STC, TRB, TRG, WEB. RM5307 - G2B, GBB, GBO, TRB. AOF AVAILABLE. PFM. CC11 - ANB |
| FORD | RANGER | 06/22 - CURRENT | (PY) XL, XLS DUAL CAB | FOR1351.121 | | FOR5310.1078 | RM1351 - EMB, G2B, GBB, GBL, GBO, RCB, STB, STC, TRB, TRG, WEB. RM5310 - G2B, GBB, STC, TRB, TRG. AOF AVAILABLE. PFM. CC12 - ANB |
| FORD | RANGER | 06/22 - CURRENT | (PY) XL SINGLE CAB | FOR1351.121 | | | RM1351 - EMB, G2B, GBB, GBL, GBO, RCB, STB, STC, TRB, TRG, WEB. AOF AVAILABLE. CC12 - ANB |
| FORD | RANGER | 06/22 - CURRENT | (PY) XL, XLT SUPERCAB | FOR1351.121 | | FOR5321.1142 | RM1351 - EMB, G2B, GBB, GBL, GBO, RCB, STB, STC, TRB, TRG, WEB. AOF AVAILABLE. CC12 - ANB |
| FORD | RANGER | 06/22 - CURRENT | (PY) RAPTOR DUAL CAB | FOR1427.216 | | FOR5307.1139 | RM5307 - G2B, GBB, TRB. AOF AVAILABLE 5307 ONLY. PFM. CC11 - ANB |
| FORD | SPECTRON | 83 - 96 | ALL BADGES VAN | CF100.309 | CF100.504 | FOR9095.704 | |
| FORD | SPECTRON | 83 - 96 | ALL BADGES VAN | CF101.306 | CF101.834 | FOR9096.704 | |
| FORD | SPECTRON | 83 - 96 | ALL BADGES VAN | CF103.306 | CF101.834 | FOR9096.704 | |
| FORD | TAURUS | 95 - 99 | Ghia SEDAN | CF240.102C | | CF240.875 | |
| FORD | TELSTAR | 03/83 - 09/87 | (AR, AS) GL SEDAN | | | CF080.809 | |
| FORD | TELSTAR | 03/83 - 11/87 | (AR, AS) Ghia SEDAN | | | CF081.810 | |
| FORD | TELSTAR | 03/83 - 11/87 | (AR, AS) TX5 HATCH | | | CF082.813 | |
| FORD | TELSTAR | 03/83 - 11/87 | (AR, AS) TX5 HATCH | | | CF084.812 | |
| FORD | TELSTAR | 10/87 - 10/89 | (AT) TX5 HATCH | | | CF085.809 | |
| FORD | TELSTAR | 10/87 - 10/89 | (AS, AT) GL SEDAN | | | CF085.809 | |
| FORD | TELSTAR | 10/87 - 12/91 | (AT, AV) TX5 Ghia, TX5 TURBO HATCH | | | CF087.833 | |
| FORD | TELSTAR | 10/87 - 12/91 | (AS, AV) Ghia SEDAN | | | CF081.810 | |
| FORD | TELSTAR | 01/92 - 11/96 | (AX, AY) TX5 Ghia HATCH | CF160.108A | | CF160.856 | |

| MAKE | MODEL | YEAR | SERIES & SUB MODEL | Front Pattern Number | Middle Pattern Number | Rear Pattern Number | Notes |
|------|----------------|-----------------|---|----------------------|-----------------------|---------------------|---|
| FORD | TELSTAR | 12/92 - 11/96 | (AX, AY) GHIA SEDAN | CF160.108A | | CF161.855 | |
| FORD | TELSTAR | 12/92 - 11/96 | (AX, AY) GLX SEDAN | | | CF162.867 | |
| FORD | TERRITORY | 05/04 - 09/05 | (SX) GHIA, TS & TX 5 SEAT SUV | FOR1169.102C | | FORS289.968 | RM1169 - G2B |
| FORD | TERRITORY | 05/04 - 09/05 | (SX) GHIA, TS & TX 7 SEAT SUV | FOR1169.102C | FORS289.968 | FOR9097.704 | RM1169 - G2B |
| FORD | TERRITORY | 10/05 - 04/11 | (SY) TS 4X4 SUV | FOR1169.102C | | FORS289.968 | RM1169 - G2B |
| FORD | TERRITORY | 10/05 - 04/11 | (SY) GHIA, SR 4X4 7 SEAT SUV | CF408.102C | FORS289.968 | FOR9097.704 | |
| FORD | TERRITORY | 10/05 - 04/11 | (SY) TX 4X4 5 SEAT SUV | FOR1169.102C | | CF409.968 | RM1169 - G2B |
| FORD | TERRITORY | 10/05 - 10/16 | (SY, SZ) TX, TS 7 SEAT SUV | FOR1169.102C | FORS166.968 | FOR9097.704 | RM1169 & RM5166 - G2B |
| FORD | TERRITORY | 05/11 - 10/16 | (SZ) TITANIUM 7 SEAT SERIES 1 SUV | CF408.102C | FORS166.968 | FOR9097.704 | RM5166 - G2B |
| FORD | TRANSIT | 95 - 96 | (VF) COMMERCIAL VAN | CF270.407 | | | |
| FORD | TRANSIT | 97 - 01/14 | (VG,VH,VJ,VM) BUCKET & 3/4 BENCH SEAT COMMERCIAL DUAL CAB | CF272.409 | | CF272.717 | |
| FORD | TRANSIT | 97 - 01/14 | (VG,VH,VJ,VM) BUCKET SEATS COMMERCIAL SINGLE CAB | CF277.107C | | | |
| FORD | TRANSIT | 02/14 - CURRENT | (VO) COMMERCIAL VAN | FOR1324.133 | | | AOF AVAILABLE |
| FORD | TRANSIT | 09/14 - CURRENT | (VO) COMMERCIAL VAN | FOR1154.150 | | | |
| FORD | TRANSIT | 09/14 - CURRENT | (VO) BUCKET & 3/4 BENCH SEAT COMMERCIAL DUAL CAB | FOR1012.127 | | CF477.1058 | RM1012 - G2B, GBB, STC, TRB, TRG. AOF AVAILABLE 1012. |
| FORD | TRANSIT | 01/15 - CURRENT | (VO) 470E DUAL CAB | FOR1324.133 | | CF477.1058 | AOF AVAILABLE 1324. |
| FORD | TRANSIT CUSTOM | 03/13 - 09/23 | (VN) COMMERCIAL SINGLE CAB VAN | FOR1012.127 | | | RM - G2B, GBB, STC, TRB, TRG. AOF AVAILABLE. |
| FORD | TRANSIT CUSTOM | 05/19 - 09/23 | (VN) 320L, 340L COMMERCIAL DOUBLE CAB VAN | FOR1194.107C | | FORS190.1102 | |
| FORD | TRANSIT CUSTOM | 07/23 - CURRENT | (AV) 320L, 320S VAN | FOR1525.127 | | | |
| FORD | TRANSIT CUSTOM | 04/25 - CURRENT | (AV) 320S SPORT LWB DUAL CAB VAN | FOR1625.109C | | FORS450.957 | AOF AVAILABLE |

| MAKE | MODEL | YEAR | SERIES & SUB MODEL | Front Pattern Number | Middle Pattern Number | Rear Pattern Number | Notes |
|-------|---------|-----------------|----------------------|----------------------|-----------------------|---------------------|---------------|
| FOTON | IBLUE | 01/22 - CURRENT | IBLUE ELECTRIC TRUCK | FOT1386.303 | | | AOF ONLY |
| FOTON | TUNLAND | 09/25 - CURRENT | V7, V9 UTE | FOT1590.102C | | FOT5422.1044 | AOF AVAILABLE |

| MAKE | MODEL | YEAR | SERIES & SUB MODEL | Front Pattern Number | Middle Pattern Number | Rear Pattern Number | Notes |
|------|-------|---------------|----------------------|----------------------|-----------------------|---------------------|---|
| FPV | F6 | 05/05 - 05/08 | (BA, BF) TORNADO UTE | CF309.102D | | | INTERCHANGEABLE WITH SEDAN AND WAGON FRONTS |
| FPV | F6 | 06/08 - 10/14 | (FG) SEDAN | FPV1166.102D | | FPV5165.948 | RM - G2B |

| MAKE | MODEL | YEAR | SERIES & SUB MODEL | Front Pattern Number | Middle Pattern Number | Rear Pattern Number | Notes |
|--------------|----------|----------------|--------------------|----------------------|-----------------------|---------------------|---|
| FREIGHTLINER | CASCADIA | 2019 - CURRENT | 116 & 126 TRUCK | FRE1458.225 | | | ISRI 5030-880 DRIVER SEAT AND SEARS STATIC PASSENGER SEAT. AOF ONLY |
| FREIGHTLINER | CASCADIA | 2019 - CURRENT | 116 & 126 TRUCK | FRE1382.191 | | | ISRI 5030-880 DRIVER SEAT AND FIXED ISRI PASSENGER SEAT. AOF ONLY |
| FREIGHTLINER | CASCADIA | 2019 - CURRENT | 116 & 126 TRUCK | FRE1385.194 | | | ISRI 5030-880 DRIVER AND PASSENGER SEAT. AOF ONLY |

| MAKE | MODEL | YEAR | SERIES & SUB MODEL | Front Pattern Number | Middle Pattern Number | Rear Pattern Number | Notes |
|------|-------|----------------|--------------------|----------------------|-----------------------|---------------------|----------------------------------|
| GMC | YUKON | 2024 - CURRENT | (T1) DENALI SUV | GMC1649.102C | GMC5473.728 | NPR | DVD PLAYER ALLOWED FOR ON FRONTS |

| MAKE | MODEL | YEAR | SERIES & SUB MODEL | Front Pattern Number | Middle Pattern Number | Rear Pattern Number | Notes |
|---------|--------------------------|-----------------|--|----------------------|-----------------------|---------------------|---|
| GRAMMER | 517 | 2010 - CURRENT | GRAMMER PRIMO 517 DRIVER SEAT WITH LARGE HEADREST | GRA1576.167 | | | A/O ONLY |
| GRAMMER | 722 | CURRENT | MSG722 TO SUIT GOLD ACRE | GRA1300.168 | | | A/O ONLY |
| GRAMMER | 742 | CURRENT | MSG742 TO SUIT GOLD ACRE | GRA1299.167 | | | A/O ONLY |
| GRAMMER | ACTIMO XXL MSG97G/722 | 22 - CURRENT | SK85MSR, SK100MSR, SK135SR, SK140LC, SK225SR, SK235SR, SK500LC | GRA1554.315 | | | A/O ONLY. SINGLE SEAT WITH HEADREST |
| GRAMMER | ACTROS | 01/20 - CURRENT | MP4 2551 MERCEDES ACTROS (963) 2641, 2643, 2651, 2653, 2658 & 2663 TRUCK | GRA1477.226 | | | A/O ONLY. GRAMMER MP4 2551 SEATS |
| GRAMMER | MAXIMO PROFESSIONAL | 2010 - CURRENT | GRAMMER MAXIMO PROFESSIONAL WITH TOOLBOX CUTOUT | GRA1592.184 | | | A/O ONLY. SINGLE SEAT WITH HEADREST |
| GRAMMER | PRIMO XXM MSG65/522 | CURRENT | TO SUIT KOBELCO CAB EXCAVATORS - SK26SR, SK35SR, SK55SRX | GRA1585.316 | | | A/O ONLY. SINGLE SEAT WITH HEADREST |
| GRAMMER | PRIMO XXM MSG65/522 | CURRENT | TO SUIT KOBELCO CANOPY EXCAVATORS - SK26SR, SK28SR, SK35SR, SK45SRX, SK55SRX | GRA1586.317 | | | A/O ONLY. SINGLE SEAT EXCLUDING HEADREST |
| GRAMMER | PRIMO XXL MSG75 | CURRENT | TO SUIT MAGNI TH3.6 TELEHANDLER | GRA1595.174 | | | A/O ONLY. SINGLE SEAT EXCLUDING HEADREST. ROUND ALLOWANCE ON REAR OF BACKREST |

| MAKE | MODEL | YEAR | SERIES & SUB MODEL | Front Pattern Number | Middle Pattern Number | Rear Pattern Number | Notes |
|------------|-------|---------------|----------------------------|----------------------|-----------------------|---------------------|-------|
| GREAT WALL | STEED | 10/16 - 09/20 | (NBP) DUAL CAB | GWM1316.102C | | GWM5267.704 | |
| GREAT WALL | V200 | 08/11 - 08/16 | (K2) DUAL CAB | CW002.102C | | CW002.956 | |
| GREAT WALL | V240 | 06/09 - 14 | (K2) SUPER LUXURY DUAL CAB | CW002.102C | | CW002.956 | |
| GREAT WALL | V240 | 14 - 08/16 | (K2) SUPER LUXURY DUAL CAB | CW002.102C | | CW006.956 | |
| GREAT WALL | X200 | 11/11 - 02/16 | (CC) WAGON | CW003.102C | | CW003.968 | |
| GREAT WALL | X240 | 10/09 - 10 | (CC) WAGON | CW001.102C | | CW001.932 | |
| GREAT WALL | X240 | 11 - 02/16 | (CC) WAGON | CW003.102C | | CW003.968 | |

| MAKE | MODEL | YEAR | SERIES & SUB MODEL | Front Pattern Number | Middle Pattern Number | Rear Pattern Number | Notes |
|------|--------------|-----------------|---|----------------------|-----------------------|---------------------|--|
| GWM | CANNON ALPHA | 04/24 - CURRENT | (P05) ULTRA, ULTRA HYBRID DUAL CAB | GWM1531.121 | | GWM5389.1059 | REAR SIDE BOLSTERS AND REAR ARM REST NOT COVERED |
| GWM | CANNON ALPHA | 04/24 - CURRENT | (P05) LUX DUAL CAB | GWM1532.121 | | GWM5389.1059 | REAR SIDE BOLSTERS AND REAR ARM REST NOT COVERED |
| GWM | UTE | 09/20 - 11/24 | (NPW) CANNON ULTRA, CANNON VANTA, CANNON-X DUAL CAB | GWM1276.102C | | GWM5240.987 | RM1276 - GBB, TRB, TRG. RM5240 - GBB. AOF AVAILABLE. |
| GWM | UTE | 09/20 - 11/24 | (NPW) CANNON, CANNON-L, CANNON LUX DUAL CAB | GWM1276.102C | | GWM5241.717 | RM - GBB, TRB, TRG. AOF AVAILABLE. |
| GWM | CANNON | 11/24 - CURRENT | (NPW) LUX, PREMIUM, ULTRA, VANTA, XSR DUAL CAB | GWM1276.102C | | GWM5240.987 | RM1276 - GBB, TRB, TRG. RM5240 - GBB. AOF AVAILABLE. |

| MAKE | MODEL | YEAR | SERIES & SUB MODEL | Front Pattern Number | Middle Pattern Number | Rear Pattern Number | Notes |
|-------|--------|-----------------|---|----------------------|-----------------------|---------------------|---|
| HAVAL | H2 | 10/15 - CURRENT | LUXURY, PREMIUM SUV | HAV1111.102C | | HAV5108.995 | |
| HAVAL | H6 | 07/16 - 01/21 | ALL BADGES SUV | HAV1133.102C | | HAV5130.995 | |
| HAVAL | H6 | 02/21 - CURRENT | (B01) ALL PETROL BADGES (EXCLUDES HYBRID) SUV | HAV1311.102C | | HAV5311.1024 | RM1311 - G2B, GBB, GBL. RM5311 - G2B, GBB |
| HAVAL | H6 | 12/21 - CURRENT | (B01) ALL HYBRID BADGES SUV | HAV1311.102C | | N/A | RM1311 - G2B, GBB, GBL |
| HAVAL | H6GT | 12/24 - CURRENT | (B03) ULTRA PHEV SUV | HAV1311.102C | | N/A | RM1311 - G2B, GBB, GBL |
| HAVAL | H9 | 01/18 - CURRENT | ULTRA SUV | HAV1056.101C | HAV5055.1022 | HAV9008.931 | |
| HAVAL | JOLION | 02/21 - CURRENT | (A01) ALL PETROL BADGES SUV | HAV1311.102C | | HAV5261.1024 | RM - G2B, GBB, GBL |
| HAVAL | JOLION | 02/22 - CURRENT | (A01) ALL HYBRID BADGES SUV | HAV1311.102C | | N/A | RM1311 - G2B, GBB, GBL |

| MAKE | MODEL | YEAR | SERIES & SUB MODEL | Front Pattern Number | Middle Pattern Number | Rear Pattern Number | Notes |
|-------|----------|---------|--------------------|----------------------|-----------------------|---------------------|--|
| HIGER | ROADBOSS | 09 - 18 | 57 SEAT BUS | | HIG5254.1107 | HIG9027.1108 | A/O ONLY. ROW 2 - 14 = 5254, ROW 15 = 9027 |

| MAKE | MODEL | YEAR | SERIES & SUB MODEL | Front Pattern Number | Middle Pattern Number | Rear Pattern Number | Notes |
|------|------------|-----------------|---|----------------------|-----------------------|---------------------|---|
| HINO | 300 | 03/07 - 09/11 | 616, 716, 816, 916 WIDE SINGLE CAB TIPPER TRUCK | CT328.304 | | | |
| HINO | 300 | 10/11 - CURRENT | WIDE CAB TRUCK | HIN1252.304 | | | RM1252 - CVC. A/O ONLY. FRONT CONVERTED FROM CT474. |
| HINO | 300 | 10/11 - CURRENT | STANDARD NARROW CAB TRUCK | HIN1297.304 | | | A/O ONLY |
| HINO | 300 | 10/11 - CURRENT | CREW CAB WIDE TRUCK | HIN1296.304 | | HIN5251.704 | A/O ONLY |
| HINO | 500 | 07 - 10/18 | (FC, FD, FG) 1018, 1024, 1527 TRUCK | HIN1200.156 | | | |
| HINO | 500 | 07 - CURRENT | (GT1322, GT1528) CREW CAB TRUCK | HIN1270.129 | | HIN5250.902 | RM1270 - CVC. A/O ONLY. ISRI 6860-870 DRIVER WITH STATIC PASSENGER & FOLDING CENTRE SEAT. |
| HINO | 500 | 11 - CURRENT | (FL, FM, GH) TRUCK | HIN1151.129 | | | ISRI 6860 DRIVER SEAT |
| HINO | 500 | 11- CURRENT | (ALL SERIES) TRUCK | CT329.129 | | | |
| HINO | 500 | 12 - CURRENT | (FG, FL, FM, GH, GT) CREW CAB TRUCK | HIN1253.162 | | | A/O ONLY |
| HINO | 500 | 12 - CURRENT | (FG, FL, FM, GH, GT) SINGLE CAB TRUCK | HIN1270.129 | | | RM1270 - CVC. A/O ONLY. ISRI 6860-870 DRIVER WITH STATIC PASSENGER & FOLDING CENTRE SEAT. |
| HINO | 500 | 12 - CURRENT | (FG, FL, FM, GH, GT) TRUCK DRIVER SEAT ONLY | HIN1271.149 | | | ISRI 6860 DRIVER SIDE ONLY. A/O ONLY. DRIVER SEAT FROM HIN1253.162 |
| HINO | 500 | 17 - CURRENT | (FG, FL, FM, GH, GT) SINGLE CAB TRUCK | HIN1343.129 | | | A/O ONLY. ISRI DRIVER WITH AIR PASSENGER & FOLDING CENTRE SEAT. |
| HINO | 500 | 10/18 - CURRENT | (FG) 1628 CREW CAB TRUCK | HIN1270.129 | | HIN5250.902 | RM1270 - CVC. A/O ONLY. ISRI 6860-870 DRIVER WITH STATIC PASSENGER & FOLDING CENTRE SEAT. |
| HINO | 500 | 11/18 - CURRENT | (FD, FE) 1124, 1424 CREW CAB TRUCK | HIN1269.162 | | HIN5250.902 | A/O ONLY. ISRI 6860-NTS2 DRIVER & PASSENGER |
| HINO | 500 | 11/18 - CURRENT | (FC, FD, FE) STD TRUCK | HIN1264.129 | | | RM1264 - CVC. A/O ONLY |
| HINO | 700 | 12 - 06/21 | (FS, FY, SH, SS) TRUCK DRIVER SEAT ONLY | HIN1271.149 | | | ISRI 6860 DRIVER SIDE ONLY. A/O ONLY. DRIVER SEAT FROM HIN1253.162 |
| HINO | 700 | 12 - 06/21 | (FS, FY, SH, SS) CREW CAB TRUCK | HIN1253.162 | | | A/O ONLY |
| HINO | 700 | 12 - 06/21 | (FS, FY, SH, SS) SINGLE CAB TRUCK | HIN1270.129 | | | RM1270 - CVC. A/O ONLY. ISRI DRIVER WITH STATIC PASSENGER & FOLDING CENTRE SEAT. |
| HINO | 700 | 06/21 - CURRENT | (FS, SH, FR, SS, FY) SINGLE CAB TRUCK | HIN1301.132 | | | A/O ONLY. ISRI DRIVER & STANDARD PASSENGER |
| HINO | 700 | 06/21 - CURRENT | (FH, FR, FS, FY, SH, SS) TRUCK | HIN1365.149 | | | A/O ONLY. DRIVER SIDE ONLY. ISRI 6860/870 NTS2 WITH INTEGRATED SEAT BELT. |
| HINO | DUTRO | 10/03 - 10/06 | SINGLE CAB TRUCK | CT327.304 | | | |
| HINO | RANGER PRO | 03 - 09 | (FC, FD, FG) 5, 6, 260 ACE, 9 TRUCK | HIN1200.156 | | | |

| MAKE | MODEL | YEAR | SERIES & SUB MODEL | Front Pattern Number | Middle Pattern Number | Rear Pattern Number | Notes |
|--------|----------|---------------|--|----------------------|-----------------------|---------------------|--------------------------|
| HOLDEN | ACADIA | 08/18 - 06/20 | (AC) LT, LTZ SUV | HOL1135.102C | HOL5131.979 | HOL9016.521 | |
| HOLDEN | ADVENTRA | 10/03 - 01/06 | (VY, VZ) CX8, LX8 WAGON | CG133.111 | | CG275.886 | |
| HOLDEN | ADVENTRA | 03/05 - 12/06 | (VZ) SX6 WAGON | CG133.111 | | CG173.880 | |
| HOLDEN | ADVENTRA | 03/05 - 12/06 | (VZ) LX6 WAGON | | | CG289.994 | LEATHER SEATS OPTIONAL |
| HOLDEN | APOLLO | 8/89 - 07/91 | (JK, JL) EXECUTIVE, GS, SLX SEDAN | CT057.101B | | CT052.846 | |
| HOLDEN | APOLLO | 08/89 - 02/93 | (JK, JL) SLE SEDAN | CT057.101B | | CG114.810 | |
| HOLDEN | APOLLO | 08/89 - 02/93 | (JK, JL) SL, SLX WAGON | CT057.101B | | CT052.846 | |
| HOLDEN | APOLLO | 08/89 - 02/93 | (JK, JL) EXECUTIVE, GS, SLX WAGON | CT057.101B | | CG116.837 | |
| HOLDEN | APOLLO | 08/89 - 02/93 | (JK, JL) SLE WAGON | CG117.101B | | CG117.840 | |
| HOLDEN | APOLLO | 07/91 - 02/93 | (JK, JL) SL, SLX SEDAN | CT057.101B | | CG119.701 | |
| HOLDEN | APOLLO | 03/93 - 95 | (JM, JP) GS, SLX SEDAN | CT062.101B | | CG122.809 | |
| HOLDEN | APOLLO | 03/93 - 05/97 | (JM, JP) GS, SLX WAGON | CT062.101B | | CG123.837 | |
| HOLDEN | APOLLO | 95 - 05/97 | (JP) SLX SEDAN | CT062.101B | | CT220.809 | |
| HOLDEN | ASTRA | 08/84 - 03/86 | (LB) SL/X HATCH | | | CG030.806 | |
| HOLDEN | ASTRA | 04/86 - 07/87 | (LC) SL/E, SL/X HATCH | | | CG033.836 | |
| HOLDEN | ASTRA | 07/87 - 07/89 | (LD) SL/E, SL/X HATCH | | | CG034.808 | |
| HOLDEN | ASTRA | 10/87 - 07/89 | (LD) SL/X SEDAN | | | CG033.836 | |
| HOLDEN | ASTRA | 95 - 09/98 | (TR) CITY HATCH | CG145.101B | | CG145.508 | |
| HOLDEN | ASTRA | 95 - 09/98 | (TR) GL HATCH & SEDAN | CG142.102C | | CG143.892 | |
| HOLDEN | ASTRA | 09/96 - 09/98 | (TR) GSI SPORTS HATCH | CG146.108A | | CG145.508 | |
| HOLDEN | ASTRA | 09/96 - 09/98 | (TR) GSI HATCH | CG147.108A | | CG147.509 | |
| HOLDEN | ASTRA | 09/98 - 07/04 | (TS) CITY 4DR HATCH | CG140.102C | | CG142.829 | |
| HOLDEN | ASTRA | 09/98 - 12/05 | (TS) CD HATCH & SEDAN | CG140.102C | | CG141.924 | |
| HOLDEN | ASTRA | 00 - 07/04 | (TS) EQUIPE 4DR HATCH | CG140.102C | | CG140.871 | |
| HOLDEN | ASTRA | 00 - 12/05 | (TS) EQUIPE, EQUIPE CLASSIC SEDAN | CG140.102C | | CG142.829 | |
| HOLDEN | ASTRA | 06/01 - 07/04 | (TS) CITY, EQUIPE 2DR HATCH | CG143.102C | | CG143.892 | |
| HOLDEN | ASTRA | 06/01 - 07/04 | (TS) CITY, EQUIPE, SXI 2DR HATCH | CG143.102C | | CG142.829 | |
| HOLDEN | ASTRA | 10/01 - 07/04 | (TS) SRI, SRI TURBO 2DR HATCH | CG141.108C | | CG141.924 | |
| HOLDEN | ASTRA | 11/04 - 03/07 | (AH) CD 4DR HATCH | CG140.102C | | CG140.871 | |
| HOLDEN | ASTRA | 11/04 - 03/07 | (AH) CDXI 4DR HATCH | CG227.107C | | CG139.896 | |
| HOLDEN | ASTRA | 11/04 - 03/07 | (AH) CDX 4DR HATCH | CG139.102C | | CG139.896 | |
| HOLDEN | ASTRA | 07/05 - 03/07 | (AH) CD WAGON | CG139.102C | | CG228.947 | |
| HOLDEN | ASTRA | 07/05 - 03/10 | (AH) CD, CDX 2DR HATCH | CG226.102 | | CG139.896 | |
| HOLDEN | ASTRA | 06/06 - 03/10 | (AH) CDTI 4DR HATCH | CG139.102C | | CG139.896 | |
| HOLDEN | ASTRA | 04/07 - 03/10 | (AH) 60TH ANNIVERSARY, CD, CDX 4DR HATCH | CG139.102C | | CG139.896 | |
| HOLDEN | ASTRA | 06/17 - 09/19 | (BL) LS, LT,LTZ SEDAN | CG489.102C | | CG489.1032 | |
| HOLDEN | ASTRA | 11/16 - 06/20 | (BK) R, RS, RS-V HATCH | CG401.102C | | CG401.985 | |
| HOLDEN | BARINA | 02/85 - 01/89 | (ML, MB) HATCH | CG040.101C | | CG040.707 | |
| HOLDEN | BARINA | 89 - 93 | (MF, MH) 2DR HATCH | CG044.104 | | CG044.806 | |
| HOLDEN | BARINA | 02/89 - 05/94 | (MF, MH) 4DR HATCH | CG040.101C | | CG041.707 | SEPARATE BUT ADJ H/RESTS |
| HOLDEN | BARINA | 09/90 - 05/94 | (MF, MH) GS HATCH | CG042.104 | | | |
| HOLDEN | BARINA | 04/94 - 07/97 | (SB) SWING HATCH | CG055.102A | | CG055.829 | |
| HOLDEN | BARINA | 04/94 - 07/97 | (SB) CITY, JOY 2DR HATCH | CG056.101 | | CG056.702 | |
| HOLDEN | BARINA | 04/94 - 09/98 | (SB) GSI HATCH | CG057.102A | | CG057.829 | |
| HOLDEN | BARINA | 03/96 - 03/97 | (SB) GRAND PRIX HATCH | CG160.102A | | CG160.829 | |
| HOLDEN | BARINA | 08/97 - 03/01 | (SB) SWING HATCH | CG162.102B | | | |
| HOLDEN | BARINA | 03/97 - 03/01 | (SB) CITY, JOY 2DR HATCH | CG161.102A | | CG161.702 | |
| HOLDEN | BARINA | 02/01 - 02 | (XC) ALL BADGES HATCH | CG163.111 | | CG163.829 | |
| HOLDEN | BARINA | 09/01 - 12/05 | (XC) SRI HATCH | CG165.102C | | CG165.896 | |
| HOLDEN | BARINA | 02 - 12/03 | (XC) ALL BADGES HATCH | CG163.111 | | CG166.829 | 60% LAPSASH |

| MAKE | MODEL | YEAR | SERIES & SUB MODEL | Front Pattern Number | Middle Pattern Number | Rear Pattern Number | Notes |
|--------|--------------------|---------------|---|----------------------|-----------------------|---------------------|--|
| HOLDEN | BARINA | 01/04 - 12/05 | (XC) ALL BADGES HATCH | CG163.111 | | CG168.899 | |
| HOLDEN | BARINA | 12/05 - 10/11 | (TK) 4DR HATCH | CG293.102C | | CG293.896 | |
| HOLDEN | BARINA | 02/05 - 10/11 | (TK) 2DR HATCH | CG294.111 | | CG294.966 | |
| HOLDEN | BARINA | 02/06 - 08 | (TK) SEDAN | CG295.102C | | CG295.966 | |
| HOLDEN | BARINA | 09 - 11/11 | (TK) SEDAN | CG373.102C | | CG373.966 | |
| HOLDEN | BARINA | 11/11 - 01/19 | (TM) CD HATCH | CG391.102C | | CG391.985 | |
| HOLDEN | BARINA | 02/12 - 06/17 | (TM) SEDAN | CG391.102C | | CG391.985 | |
| HOLDEN | BARINA SPARK | 10/10 - 03/16 | (MJ) ALL BADGES HATCH | CG389.102C | | CG389.969 | |
| HOLDEN | CALAIS | 03/84 - 02/86 | (VK) SEDAN | | | CG008.801 | |
| HOLDEN | CALAIS | 03/86 - 08/88 | (VL) SEDAN | | | CG005.805 | |
| HOLDEN | CALAIS | 08/88 - 09/91 | (VN) SEDAN | CT122.101B | | CT122.835 | |
| HOLDEN | CALAIS | 10/91 - 04/95 | (VP, VR) V8 SEDAN | CT127.108 | | CG043.854 | |
| HOLDEN | CALAIS | 10/97 - 10/00 | (VT) V6, V8 SEDAN | CG172.111 | | CG179.898 | |
| HOLDEN | CALAIS | 10/00 - 09/02 | (VX) SEDAN | CG172.111 | | CG184.898 | |
| HOLDEN | CALAIS | 10/02 - 07/04 | (VY) SEDAN | CG133.111 | | CG184.898 | |
| HOLDEN | CALAIS | 08/06 - 08/09 | (VE) SEDAN | CG281.102C | | CG281.997 | |
| HOLDEN | CALAIS | 04/08 - 04/13 | (VE) SPORTWAGON, V SPORTWAGON | CG281.102C | | HOL5164.1017 | |
| HOLDEN | CALAIS | 05/13 - 10/17 | (VF) V SEDAN | HOL1170.121 | | | RM1170 - G2B |
| HOLDEN | CALAIS | 05/13 - 10/17 | (VF) SPORTWAGON, V SPORTWAGON WAGON | HOL1170.121 | | CG477.1017 | RM1170 - G2B |
| HOLDEN | CALIBRA | 10/91 - 07/98 | (YE) COUPE | CG072.102 | | CG072.829 | |
| HOLDEN | CAMIRA | 04/83 - 07/89 | (JB, JD, JE) WAGON | | | CG021.808 | |
| HOLDEN | CAMIRA | 11/84 - 05/87 | (JD) SEDAN | | | CG037.813 | |
| HOLDEN | CAPTIVA | 10/06 - 07 | (CG) MAXX SUV | CG137.102C | | CG383.947 | |
| HOLDEN | CAPTIVA | 10/06 - 01/11 | (CG) SX SUV | CG137.102C | | CG383.947 | |
| HOLDEN | CAPTIVA | 10/06 - 01/11 | (CG) LX SUV | CG135.102C | HOL5167.1000 | HOL9003.931 | ARMREST NOT COVERED, RM5167 - G2B. RM9003 - WEB |
| HOLDEN | CAPTIVA | 10/06 - 01/11 | (CG) CX, SX SUV | CG135.102C | CG136.981 | HOL9003.931 | RM9003 - WEB |
| HOLDEN | CAPTIVA | 08 - 02/09 | (CG) MAXX SUV | CG137.102C | | CG137.1022 | |
| HOLDEN | CAPTIVA | 12/09 - 01/11 | (CG) 5 SUV | CG137.102C | | CG383.947 | |
| HOLDEN | CAPTIVA | 01/11 - 05/12 | (CG) 7CX, 7SX SUV | HOL1013.102C | HOL5040.1041 | HOL9003.931 | RM1013 & RM5040 - G2B, WEB. RM9003 - WEB |
| HOLDEN | CAPTIVA | 01/11 - 01/14 | (CG) 7LX SUV | HOL1013.102C | HOL5167.1000 | HOL9003.931 | RM1013 & RM5167 - G2B. RM9003 - WEB |
| HOLDEN | CAPTIVA | 01/11 - 01/19 | (CG) 5, 5LS, 5LT, LTZ SUV | CG384.102C | | CG137.1022 | REAR ARMREST NOT COVERED |
| HOLDEN | CAPTIVA | 06/12 - 01/14 | (CG) 7CX, 7SX SUV | HOL1013.102C | HOL5167.1000 | HOL9003.931 | RM1013 & RM5167 - G2B. RM9003 - WEB |
| HOLDEN | CAPTIVA | 02/14 - 01/19 | (CG) 7LS, 7LT, 7LTZ SUV | HOL1013.102C | HOL5167.1000 | HOL9003.931 | RM1013 & RM5167 - G2B. RM9003 - WEB |
| HOLDEN | COLORADO | 05/08 - 03/12 | (RC) ALL BADGES SINGLE CAB BENCH SEAT | HOL1181.211 | | | RM - G2B |
| HOLDEN | COLORADO | 07/08 - 05/12 | (RC) ALL BADGES SINGLE CAB BKT SEATS | HOL1068.102C | | | RM - G2B, TRB, TRG. AOF AVAILABLE. |
| HOLDEN | COLORADO | 07/08 - 05/12 | (RC) ALL BADGES DUAL CAB BKTS SEATS | HOL1068.102C | | HOL5064.956 | RM - G2B, TRB, TRG. AOF AVAILABLE. |
| HOLDEN | COLORADO | 07/08 - 05/12 | (RC) ALL BADGES SPACE CAB BKTS SEATS | HOL1068.102C | | | RM - G2B, TRB, TRG. AOF AVAILABLE. |
| HOLDEN | COLORADO | 06/12 - 10/13 | (RG) LX, LT DUAL CAB | HOL1002.102C | | HOL5010.1045 | RM1002 - G2B, GBB, GBR, STC, TRB, TRG, WEB. RM5010 - TRG. AOF AVAILABLE. CC04 - ANB & STC |
| HOLDEN | COLORADO | 11/13 - 08/14 | (RG) LX, LT DUAL CAB | HOL1002.102C | | CG486.1056 | RM1002 - G2B, GBB, GBR, STC, TRB, TRG, WEB. AOF AVAILABLE 1002. PFM. CC04 - ANB & STC |
| HOLDEN | COLORADO | 06/12 - 05/14 | (RG) DX SINGLE CAB BUCKET & 3/4 | CG399.301 | | | |
| HOLDEN | COLORADO | 06/12 - 08/14 | (RG) LTZ DUAL CAB | HOL1002.102C | | HOL5014.1044 | RM1002 - G2B, GBB, GBR, STC, TRB, TRG, WEB. RM5014 - G2B, GBB, STC, TRB, TRG, WEB. AOF AVAILABLE. PFM. CC04 - ANB & STC |
| HOLDEN | COLORADO | 06/12 - 06/20 | (RG) ALL BADGES SINGLE CAB BUCKET SEATS | HOL1004.102C | | | RM1004 - G2B, GBB, STC, TRG, TRB, WEB. AOF AVAILABLE. |
| HOLDEN | COLORADO | 06/12 - 06/20 | (RG) ALL BADGES SPACE CAB | HOL1002.102C | | HOL5178.958 | RM1002 - G2B, GBB, GBR, STC, TRB, TRG, WEB. RM5178 - TRG. AOF AVAILABLE. CC04 - ANB & STC |
| HOLDEN | COLORADO | 09/14 - 06/20 | (RG) ALL BADGES DUAL CAB | HOL1002.102C | | HOL5014.1044 | RM1002 - G2B, GBB, GBR, STC, TRB, TRG, WEB. RM5014 - G2B, GBB, STC, TRB, TRG, WEB. AOF AVAILABLE. PFM. CC04 - ANB & STC |
| HOLDEN | COLORADO 7 | 11/12 - 01/18 | (RG) LT, LTZ 7 SEAT | HOL1002.102C | HOL5063.987 | HOL9007.931 | RM1002 - G2B, GBB, GBR, STC, TRB, TRG, WEB. RM5063 - G2B, TRB, WEB. RM9007 - G2B. AOF AVAILABLE 1002 & 5063. CC04 - ANB & STC |
| HOLDEN | COMMODORE LIFTBACK | 12/17 - 06/20 | (ZB) LT LIFTBACK | HOL1186.102C | | HOL5181.922 | |
| HOLDEN | COMMODORE LIFTBACK | 12/17 - 06/20 | (ZB) RS, RS-V, VXR LIFTBACK | HOL1186.102C | | NPR | |
| HOLDEN | COMMODORE SEDAN | 11/78 - 02/84 | (VB, VC, VH) SL/E | | | CG008.801 | |

| MAKE | MODEL | YEAR | SERIES & SUB MODEL | Front Pattern Number | Middle Pattern Number | Rear Pattern Number | Notes |
|--------|-----------------|---------------|--|----------------------|-----------------------|---------------------|--------------|
| HOLDEN | COMMODORE SEDAN | 11/78 - 03/86 | (VB, VC, VH, VK) SL | | | CG005.805 | |
| HOLDEN | COMMODORE SEDAN | 03/84 - 08/88 | (VK, VL) BERLINA | | | CG005.805 | |
| HOLDEN | COMMODORE SEDAN | 08/88 - 09/91 | (VN) EXECUTIVE, S | | | CG013.817 | |
| HOLDEN | COMMODORE SEDAN | 08/88 - 09/91 | (VN) BERLINA | | | CG014.819 | |
| HOLDEN | COMMODORE SEDAN | 10/91 - 08/97 | (VP, VR, VS) EXECUTIVE, S | CG023.101 | | CG023.851 | |
| HOLDEN | COMMODORE SEDAN | 10/91 - 07/93 | (VP) BERLINA | | | CG022.853 | |
| HOLDEN | COMMODORE SEDAN | 10/91 - 07/93 | (VP) BERLINA LX | | | CG043.854 | |
| HOLDEN | COMMODORE SEDAN | 07/93 - 08/97 | (VR, VS) BERLINA | | | CG043.854 | |
| HOLDEN | COMMODORE SEDAN | 07/93 - 08/97 | (VR, VS) SS | CT127.108 | | CG191.866 | |
| HOLDEN | COMMODORE SEDAN | 09/97 - 09/02 | (VT, VX) 50TH ANNIVERSARY, ACCLAIM, EQUIPE, EXECUTIVE, LUMINA, S | CG172.111 | | CG172.866 | |
| HOLDEN | COMMODORE SEDAN | 09/97 - 09/02 | (VT, VX) BERLINA | CG172.111 | | CG174.854 | |
| HOLDEN | COMMODORE SEDAN | 09/97 - 09/02 | (VT, VX) SS | CG133.111 | | CG185.854 | |
| HOLDEN | COMMODORE SEDAN | 10/02 - 07/04 | (VY) BERLINA, LUMINA, SILVER ANNIVERSARY | CG133.111 | | CG185.854 | |
| HOLDEN | COMMODORE SEDAN | 10/02 - 07/04 | (VY) SS | CG265.111 | | CG185.854 | |
| HOLDEN | COMMODORE SEDAN | 10/02 - 07/06 | (VY, VZ) EXECUTIVE | CG133.111 | | CG172.866 | |
| HOLDEN | COMMODORE SEDAN | 10/02 - 07/06 | (VY, VZ) EQUIPE | CG133.111 | | CG185.854 | |
| HOLDEN | COMMODORE SEDAN | 08/04 - 07/06 | (VY, VZ) ACCLAIM, SV6 | CG133.111 | | CG172.866 | |
| HOLDEN | COMMODORE SEDAN | 08/04 - 07/06 | (VZ) BERLINA | CG133.111 | | CG172.866 | |
| HOLDEN | COMMODORE SEDAN | 08/04 - 07/06 | (VZ) SVZ | CG133.111 | | CG271.854 | |
| HOLDEN | COMMODORE SEDAN | 08/06 - 08/09 | (VE) SV6 | CG279.102C | | CG279.866 | |
| HOLDEN | COMMODORE SEDAN | 08/06 - 04/13 | (VE, VZ) LUMINA, OMEGA | CG279.102C | | CG279.866 | |
| HOLDEN | COMMODORE SEDAN | 08/06 - 04/13 | (VE) BERLINA 60TH ANNIVERSARY | CG279.102C | | CG282.999 | |
| HOLDEN | COMMODORE SEDAN | 11/08 - 04/13 | (VE) SS, SS-V, SS-V 60TH ANNIVERSARY | CG283.121 | | CG283.854 | |
| HOLDEN | COMMODORE SEDAN | 09/09 - 08/10 | (VE) INTERNATIONAL | CG279.102C | | CG282.999 | |
| HOLDEN | COMMODORE SEDAN | 09/09 - 04/13 | (VE) SV6 | CG354.121 | | CG283.854 | |
| HOLDEN | COMMODORE SEDAN | 05/13 - 10/17 | (VF) EVOKE | HOL1170.121 | | CG364.866 | RM1170 - G2B |
| HOLDEN | COMMODORE SEDAN | 05/13 - 10/17 | (VF) SS, SS STORM, SV6 | HOL1170.121 | | CG460.854 | RM1170 - G2B |
| HOLDEN | COMMODORE UTE | 08/90 - 07/93 | (VG, VP) S | CG020.403 | | | |
| HOLDEN | COMMODORE UTE | 07/93 - 04/95 | (VR) S | CG089.405 | | | |
| HOLDEN | COMMODORE UTE | 04/95 - 12/00 | (VS) ALL BADGES | CG170.101 | | | |
| HOLDEN | COMMODORE UTE | 12/00 - 09/02 | (VU) SS | CG262.111 | | | |
| HOLDEN | COMMODORE UTE | 12/00 - 07/04 | (VU, VY) SS SERIES 2, STORM | CG266.111 | | | |
| HOLDEN | COMMODORE UTE | 09/02 - 07/04 | (VY) ONE TONNER | CG268.111 | | | |
| HOLDEN | COMMODORE UTE | 08/04 - 08/07 | (VZ) S | CG276.102C | | | |
| HOLDEN | COMMODORE UTE | 09/07 - 08/11 | (VE) SV6 | CG357.102C | | | |
| HOLDEN | COMMODORE UTE | 09/07 - 04/13 | (VE) OMEGA | CG357.102C | | | |
| HOLDEN | COMMODORE UTE | 09/10 - 04/13 | (VE) SS | CG359.121 | | | |
| HOLDEN | COMMODORE UTE | 09/11 - 04/13 | (VE) SV6 | CG359.121 | | | |
| HOLDEN | COMMODORE UTE | 05/13 - 10/17 | (VF) EVOKE | CG356.105 | | | |
| HOLDEN | COMMODORE UTE | 05/13 - 10/17 | (VF) SV6, SS STORM | HOL1509.121 | | | RM1509 - GBB |
| HOLDEN | COMMODORE WAGON | 08/79 - 08/88 | (VB, VC, VH, VK, VL) ALL BADGES | | | CG001.701 | |
| HOLDEN | COMMODORE WAGON | 08/88 - 04/95 | (VN, VP, VR) BERLINA, EXECUTIVE, S, VACATIONER | | | CG016.701 | |
| HOLDEN | COMMODORE WAGON | 04/95 - 08/97 | (VS) ACCLAIM | CG124.102 | | CG124.510 | |
| HOLDEN | COMMODORE WAGON | 04/95 - 08/97 | (VS) BERLINA | | | CG125.871 | |
| HOLDEN | COMMODORE WAGON | 04/95 - 08/97 | (VS) EXECUTIVE | | | CT212.829 | |
| HOLDEN | COMMODORE WAGON | 09/97 - 09/02 | (VT, VX) EQUIPE, EXECUTIVE, LUMINA | CG172.111 | | CG173.880 | |
| HOLDEN | COMMODORE WAGON | 09/97 - 09/02 | (VT, VX) ACCLAIM | CG172.111 | | CG175.884 | |
| HOLDEN | COMMODORE WAGON | 09/97 - 09/02 | (VT, VX) BERLINA, LUMINA | CG172.111 | | CG176.886 | |
| HOLDEN | COMMODORE WAGON | 10/02 - 08/07 | (VY, VZ) BERLINA, EQUIPE, SVZ, LUMINA | CG133.111 | | CG176.886 | |
| HOLDEN | COMMODORE WAGON | 08/04 - 08/07 | (VY, VZ) ACCLAIM | CG133.111 | | CG175.884 | |

| MAKE | MODEL | YEAR | SERIES & SUB MODEL | Front Pattern Number | Middle Pattern Number | Rear Pattern Number | Notes |
|--------|-----------------|---------------|---|----------------------|-----------------------|---------------------|--------------------------|
| HOLDEN | COMMODORE WAGON | 08/04 - 08/07 | (VZ) EXECUTIVE | CG133.111 | | CG173.880 | |
| HOLDEN | COMMODORE WAGON | 03/08 - 04/13 | (VE) SS SPORTWAGON | CG283.121 | | CG351.1017 | |
| HOLDEN | COMMODORE WAGON | 03/08 - 04/13 | (VE) OMEGA SPORTWAGON | CG279.102C | | CG352.1018 | |
| HOLDEN | COMMODORE WAGON | 09/09 - 08/11 | (VE) SV6 SPORTWAGON | CG279.102C | | CG352.1018 | |
| HOLDEN | COMMODORE WAGON | 09/09 - 04/13 | (VE) BERLINA | CG279.102C | | CG351.1017 | |
| HOLDEN | COMMODORE WAGON | 09/11 - 04/13 | (VE) SV6 SPORTWAGON | CG354.121 | | CG351.1017 | |
| HOLDEN | COMMODORE WAGON | 05/13 - 10/17 | (VF) EVOKE SPORTWAGON | HOL1170.121 | | CG365.1018 | RM1170 - G2B |
| HOLDEN | COMMODORE WAGON | 05/13 - 10/17 | (VF) INTERNATIONAL SPORTWAGON | HOL1170.121 | | CG366.1017 | RM1170 - G2B |
| HOLDEN | COMMODORE WAGON | 05/13 - 10/17 | (VF) SS-V REDLINE, SV6 STORM SPORTWAGON | HOL1170.121 | | CG477.1017 | RM1170 - G2B |
| HOLDEN | COMMODORE WAGON | 12/17 - 06/20 | (ZB) RS WAGON | HOL1198.102C | | HOL5192.1013 | |
| HOLDEN | CREWMAN | 09/03 - 09/07 | (VY, VZ) ALL BADGES DUAL CAB | CG133.111 | | CG133.964 | |
| HOLDEN | CRUZE | 06/02 - 06/06 | (YG) ALL BADGES | CG255.102A | | CG255.858 | |
| HOLDEN | CRUZE | 05/09 - 10/16 | (JG, JH) ALL BADGES | CG256.102C | | CG256.965 | REAR ARMREST NOT COVERED |
| HOLDEN | DROVER | 03/85 - 87 | (QB) ALL BADGES HARD TOP | CG050.101A | | CG050.702 | |
| HOLDEN | DROVER | 03/85 - 87 | (QB) SINGLE CAB | CG052.101C | | | |
| HOLDEN | DROVER | 03/85 - 87 | (QB) ALL BADGES SOFT TOP | CG053.104 | | | |
| HOLDEN | DROVER | 03/85 - 87 | (QB) HI-TOP | CG050.101A | | CG054.702 | |
| HOLDEN | EPICA | 03/07 - 02/11 | (EP) CDX, CDXI SEDAN | CG363.102C | | CG363.893 | REAR ARMREST NOT COVERED |
| HOLDEN | EQUINOX | 09/17 - 06/20 | (EQ) ALL BADGES SUV | CG484.102C | | CG484.1072 | |
| HOLDEN | FRONTERA | 10/95 - 03/99 | (UT) SUV | CG180.102 | | CG180.702 | |
| HOLDEN | FRONTERA | 03/99 - 06/04 | (MX) SUV | CG181.102A | | CG181.876 | |
| HOLDEN | GEMINI | 04/83 - 05/85 | (TG) SL, SL/X SEDAN | | | CG025.802 | |
| HOLDEN | GEMINI | 05/85 - 06/87 | (RB) SL, SL/X SEDAN | | | CG026.814 | |
| HOLDEN | GEMINI | 05/85 - 06/87 | (RB) SL/E SEDAN | | | CG027.813 | |
| HOLDEN | JACKAROO | 11/81 - 87 | LWB DELUXE SUV | CG060.101 | | CG060.701 | |
| HOLDEN | JACKAROO | 11/81 - 87 | LWB LS SUV | CG060.101 | | CG061.822 | |
| HOLDEN | JACKAROO | 08/85 - 06/88 | SWB DELUXE, LS SUV | CG060.101 | | CG062.702 | |
| HOLDEN | JACKAROO | 07/88 - 03/92 | (L1) LWB LS SUV | CG060.101 | | CG060.701 | |
| HOLDEN | JACKAROO | 07/88 - 03/92 | (L1) LWB DELUXE SUV | CG060.101 | | CG064.702 | |
| HOLDEN | JACKAROO | 04/92 - 95 | (L2, L5) SE SUV | CG065.107 | CG065.514 | HOL9102.503 | |
| HOLDEN | JACKAROO | 04/92 - 02/98 | (L2, L5) LS, XS V6 4DR SUV | CG065.107 | CG065.514 | HOL9102.503 | |
| HOLDEN | JACKAROO | 04/92 - 02/98 | (L2, L5) S V6 4DR SUV | CG066.102 | CG066.704 | HOL9102.503 | |
| HOLDEN | JACKAROO | 04/92 - 02/98 | (L2, L5) XS 2DR SUV | CG066.102 | | CG071.515 | |
| HOLDEN | JACKAROO | 04/92 - 02/98 | (L2, L5) S 2DR SUV | CG066.102 | | CG067.704 | |
| HOLDEN | JACKAROO | 04/92 - 02/98 | OPTIONAL EXTRA REAR SEAT | | | CG069.709 | |
| HOLDEN | JACKAROO | 96 - 02/98 | (L2, L5) SE SUV | CG065.107 | CG065.514 | HOL9103.503 | |
| HOLDEN | JACKAROO | 03/98 - 09/04 | (U8) SE SUV | CG250.107C | CG065.514 | HOL9103.503 | |
| HOLDEN | KINGSWOOD | 02/68 - 09/77 | (HK, HX) WAGON | | | CG121.701 | |
| HOLDEN | KINGSWOOD | 07/71 - 07/85 | (HQ, HZ) SEDAN, PANEL VAN, UTE | CG106.204 | | | |
| HOLDEN | KINGSWOOD | 07/71 - 07/85 | (HQ, HZ) SEDAN, PANEL VAN, UTE | HOL1639.104 | | | |
| HOLDEN | MALIBU | 06/13 - 10/17 | (EM) CD SEDAN | CG259.102C | | CG259.960 | |
| HOLDEN | NOVA | 08/89 - 10/94 | (LF) SLE HATCH | CT010.102 | | CG107.510 | |
| HOLDEN | NOVA | 08/89 - 10/94 | (LE, LF) SL, SLX HATCH | CT010.102 | | CG108.829 | |
| HOLDEN | NOVA | 08/89 - 10/94 | (LE, LF) SLE, SLX SEDAN | CT010.102 | | CG109.808 | |
| HOLDEN | NOVA | 09/91 - 04/97 | (LF, LG) GS HATCH | | | CG138.808 | |
| HOLDEN | NOVA | 10/94 - 04/97 | (LG) SLX HATCH | | | CG110.808 | |
| HOLDEN | NOVA | 10/94 - 04/97 | (LG) SLX SEDAN | | | CG112.809 | |
| HOLDEN | NOVA | 10/94 - 04/97 | (LG) GS SEDAN | | | CG138.808 | |
| HOLDEN | RODEO | 78 - 88 | (KB) SINGLE CAB | CG101.201 | | | |
| HOLDEN | RODEO | 78 - 88 | (KB) SINGLE CAB | CG090.203 | | | |

| MAKE | MODEL | YEAR | SERIES & SUB MODEL | Front Pattern Number | Middle Pattern Number | Rear Pattern Number | Notes |
|--------|-------------|---------------|---|----------------------|-----------------------|---------------------|--|
| HOLDEN | RODEO | 07/88 - 12/92 | (TF) DELUXE 2WD CREW CAB | CG233.101A | | CG092.701 | |
| HOLDEN | RODEO | 07/88 - 05/98 | (TF) LS 4WD SPACE CAB | CG233.101A | | CG043.854 | |
| HOLDEN | RODEO | 07/88 - 02/03 | (TF) DUAL CAB | CG102.108A | | CG093.701 | |
| HOLDEN | RODEO | 08/88 - 02/03 | (TF) DUAL CAB | CG102.108A | | CG102.859 | NO PULL TAG ON TOP OF CENTRE BACKREST ON REAR |
| HOLDEN | RODEO | 08/88 - 02/03 | (TF) DUAL CAB | CG102.108A | | CG232.859 | PULL TAG ON TOP OF CENTRE BACKREST ON REAR |
| HOLDEN | RODEO | 08/88 - 02/03 | (TF) SINGLE CAB | CG094.202 | | | CUT OUT IN BASE |
| HOLDEN | RODEO | 08/88 - 02/03 | (TF) SINGLE CAB | CG102.108A | | | |
| HOLDEN | RODEO | 08/88 - 02/03 | (TF) SINGLE CAB, BUCKET & 3/4 SEAT | CG230.401 | | | |
| HOLDEN | RODEO | 01/97 - 02/03 | (TF) DX SINGLE CAB | CG231.202 | | | CUT OUT IN BASE |
| HOLDEN | RODEO | 03/03 - 06/08 | (RA) DUAL CAB, ALL BADGES, 5 SEAT | HOL1068.102C | | HOL5064.956 | RM - G2B, TRB, TRG. AO AVAILABLE. |
| HOLDEN | RODEO | 03/03 - 06/08 | (RA) SINGLE CAB, ALL BADGES, BUCKET SEATS | HOL1068.102C | | | RM - G2B, TRB, TRG. AO AVAILABLE. |
| HOLDEN | RODEO | 03/03 - 06/08 | (RA) SPACE CAB, ALL BADGES, BUCKET SEATS | HOL1068.102C | | | RM - G2B, TRB, TRG. AO AVAILABLE. |
| HOLDEN | RODEO | 03/03 - 06/08 | (RA) SINGLE CAB, ALL BADGES, BENCH SEAT | HOL1181.211 | | | RM1181 - G2B |
| HOLDEN | RODEO | 03/03 - 06/08 | (RA) DUAL CAB, ALL BADGES, 6 SEAT | HOL1181.211 | | HOL5064.956 | RM1181 - G2B. RM5064 - G2B, TRB, TRG. AO AVAILABLE 5064. |
| HOLDEN | SHUTTLE | 09/83 - 91 | (WFR) LT VAN | CG070.305 | CG070.501 | HOL9104.701 | |
| HOLDEN | STATESMAN | 07/71 - 03/80 | (HQ, HJ, HX, HZ) SEDAN | CG080.104 | | CG080.805 | |
| HOLDEN | STATESMAN | 10/74 - 03/80 | (WB) CAPRICE SEDAN | | | CG080.805 | |
| HOLDEN | STATESMAN | 05/80 - 07/85 | (WB) ALL BADGES SEDAN | CG082.110 | | CG084.839 | |
| HOLDEN | STATESMAN | 83 - 07/85 | (WB) CAPRICE SERIES 2 | CG082.110 | | CG082.844 | |
| HOLDEN | STATESMAN | 03/90 - 92 | (VQ) ALL BADGES V8 SEDAN | CG083.108C | | CG083.839 | |
| HOLDEN | STATESMAN | 92 - 12/94 | (VQ) ALL BADGES SERIES 2 SEDAN | CG083.108C | | CG043.854 | |
| HOLDEN | STATESMAN | 04/95 - 12/96 | (VS) ALL BADGES SEDAN | CG127.108 | | CG043.854 | |
| HOLDEN | STATESMAN | 10/96 - 06/99 | (VS) SEDAN | CG128.102 | | CG043.854 | |
| HOLDEN | STATESMAN | 06/99 - 10/00 | (WH) SEDAN | CG129.102C | | CG129.898 | |
| HOLDEN | STATESMAN | 10/00 - 04/03 | (WH) SEDAN | CG129.102C | | CG130.925 | |
| HOLDEN | STATESMAN | 08/06 - 08/09 | (WM) SEDAN | CG279.102C | | CG284.997 | CONSOLE LID NOT COVERED |
| HOLDEN | SUBURBAN | 97 - 00 | (K8) 1500 LS, 2500 LS SUV | CG240.303 | CG240.514 | HOL9105.704 | |
| HOLDEN | TIGRA | 10/05 - 09/07 | (XC) ALL BADGES CONVERTIBLE | CG286.102 | | | |
| HOLDEN | TORANA | 03/76 - 79 | (LX, UC) ALL BADGES LIFTBACK | HOL1442.110 | | CG086.806 | |
| HOLDEN | TRAILBLAZER | 10/16 - 06/20 | (RG) LT, LTZ, Z71 SUV | HOL1002.102C | HOL5063.987 | HOL9007.931 | RM1002 - G2B, GBB, GBR, STC, TRB, TRG, WEB. RM5063 - G2B, TRB, WEB. RM9007 - G2B. AOF AVAILABLE 1002 & 5063. |
| HOLDEN | TRAX | 08/13 - 01/17 | (TJ) LS SUV | CG189.102C | | CG189.916 | |
| HOLDEN | TRAX | 08/13 - 01/17 | (TJ) LTZ SUV | CG193.412 | | CG189.916 | |
| HOLDEN | TRAX | 01/17 - 06/20 | (TJ) LT, LTZ SUV | CG193.412 | | CG479.979 | |
| HOLDEN | TRAX | 01/17 - 06/20 | (TJ) LS SUV | HOL1210.102C | | CG479.979 | |
| HOLDEN | VECTRA | 06/97 - 12/02 | (JR, JS) GL HATCH, SEDAN | CG220.102 | | CG220.517 | |
| HOLDEN | VECTRA | 06/97 - 12/02 | (JR, JS) CD HATCH, SEDAN | CG220.102 | | CG221.518 | |
| HOLDEN | VECTRA | 06/97 - 12/02 | (JR, JS, JS2) GL WAGON | CG220.102 | | CG222.517 | |
| HOLDEN | VECTRA | 03/03 - 12/06 | (ZC) CD, CDX HATCH | CG223.102C | | CG223.960 | |
| HOLDEN | VECTRA | 03/03 - 12/06 | (XC) CD SEDAN | CG224.102C | | CG224.950 | |
| HOLDEN | VIVA | 09/05 - 05/09 | (JF) SEDAN | CG297.102C | | CG296.944 | |
| HOLDEN | VIVA | 09/05 - 05/09 | (JF) HATCH, WAGON | CG297.102C | | CG297.944 | |
| HOLDEN | ZAFIRA | 06/01 - 12/03 | (TT) ALL BADGES WAGON | CG245.102C | CG245.523 | HOL9106.923 | |
| HOLDEN | ZAFIRA | 01/04 - 05/06 | (TT) ALL BADGES WAGON | CG243.102C | CG243.967 | HOL9106.923 | |

| MAKE | MODEL | YEAR | SERIES & SUB MODEL | Front Pattern Number | Middle Pattern Number | Rear Pattern Number | Notes |
|-------|----------|---------------|--|----------------------|-----------------------|---------------------|-------------------------|
| HONDA | ACCORD | 81 - 85 | (SV, SY, SZ) SEDAN | CH002.101C | | CH002.803 | |
| HONDA | ACCORD | 83 - 85 | (SY, SZ) 2DR HATCH | | | CH006.806 | |
| HONDA | ACCORD | 85 - 86 | (SZ, AD) 2DR HATCH | | | CH007.806 | |
| HONDA | ACCORD | 85 - 89 | (CA) EXI SEDAN | CH005.102B | | CH005.824 | |
| HONDA | ACCORD | 88 - 89 | (CA) LX SEDAN | | | CH004.824 | |
| HONDA | ACCORD | 09/89 - 10/93 | (CB) ALL BADGES SEDAN | CH008.101B | | CH008.824 | |
| HONDA | ACCORD | 10/93 - 12/97 | (CD) EXI, VTI SEDAN | CH010.102 | | CH010.824 | |
| HONDA | ACCORD | 07/97 - 12/98 | (CG, CK) VTI 50TH ANNIVERSARY SEDAN | CH012.102 | | CH012.824 | |
| HONDA | ACCORD | 12/97 - 05/03 | (CF,CG, CK, CL) VTI, VTI-L SEDAN | CH011.102C | | CH013.889 | |
| HONDA | ACCORD | 12/97 - 05/03 | (CG, CK) V6, V6-L SEDAN | CH013.102 | | CH013.889 | |
| HONDA | ACCORD | 02 - 07 | (CL) EURO SEDAN | CH015.102C | | CH015.913 | |
| HONDA | ACCORD | 09/03 - 05/08 | (CM) VTI SEDAN | CH016.102C | | CH016.889 | |
| HONDA | ACCORD | 07 - 05/08 | (CL) EURO SEDAN | CH016.102C | | CH018.913 | |
| HONDA | ACCORD | 06/08 - 06/15 | (CU) EURO SEDAN | CH020.102C | | CH020.913 | |
| HONDA | ACCORD | 02/08 - 04/13 | (CP) VTI SEDAN | CH019.102C | | CH019.1020 | |
| HONDA | CITY | 02/09 - 04/14 | (GM) VTI, VTI-L SEDAN | CH121.102C | | CH121.1024 | |
| HONDA | CITY | 04/14 - 06/20 | (GM) VTI SEDAN | CH122.102C | | CH122.913 | |
| HONDA | CIVIC | 03/73 - 79 | (SB, SF) 2DR HATCH | | | CH030.702 | |
| HONDA | CIVIC | 79 - 84 | (SL) 2DR HATCH | | | CH031.806 | |
| HONDA | CIVIC | 11/79 - 12/83 | (SF, WC, AN) WAGON | | | CH027.702 | |
| HONDA | CIVIC | 84 - 89 | (CA) ALL BADGES WAGON | | | CH028.709 | |
| HONDA | CIVIC | 85 - 90 | (AH) ALL BADGES HATCH | CH025.101 | | CH025.806 | |
| HONDA | CIVIC | 11/87 - 10/91 | (ED) GL SEDAN | CH025.101 | | CH026.830 | |
| HONDA | CIVIC | 05/88 - 05/98 | (EE) REAL TIME 4WD WAGON | | | CH029.501 | |
| HONDA | CIVIC | 09/91 - 09/95 | (ED, EG) GL HATCH | CH032.102B | | CH033.806 | |
| HONDA | CIVIC | 10/91 - 09/95 | (EH) GL, GLI, SI SEDAN | CH032.102B | | CH032.861 | |
| HONDA | CIVIC | 10/91 - 09/95 | (EG, EH) BREEZE, SI HATCH | CH033.102C | | CH033.806 | |
| HONDA | CIVIC | 10/95 - 98 | (EK) GLI SEDAN | CH037.101C | | CH037.874 | |
| HONDA | CIVIC | 10/95 - 96 | (EK) VTI SEDAN | CH032.102B | | CH032.861 | |
| HONDA | CIVIC | 10/95 - 09/00 | (EK) CXI, GLI HATCH | CH038.102C | | CH033.806 | |
| HONDA | CIVIC | 09/95 - 08/00 | (EK) VTI, VTI-R HATCH | CH040.105A | | CH040.858 | |
| HONDA | CIVIC | 96 - 09/00 | (EK) VTI SEDAN | CH038.102C | | CH037.874 | |
| HONDA | CIVIC | 05/96 - 04/99 | (EJ) VTI COUPE | CH038.102C | | CH041.808 | |
| HONDA | CIVIC | 10/00 - 05 | (EU) VI HATCH | CH051.102C | | CH051.911 | |
| HONDA | CIVIC | 10/00 - 04 | (ES) GLI SEDAN | CH052.102A | | CH052.867 | |
| HONDA | CIVIC | 10/00 - 01/06 | (EU) VTI 4DR HATCH | CH053.107C | | CH053.929 | DRIVERS SIDE ARMREST |
| HONDA | CIVIC | 04 - 01/06 | (ES) GLI SEDAN | CH052.102A | | CH055.971 | |
| HONDA | CIVIC | 05 - 01/06 | (EU) VI HATCH | CH056.102 | | CH056.977 | |
| HONDA | CIVIC | 06 - 01/09 | (8TH GEN) VTI SEDAN | CH059.102C | | CH059.992 | |
| HONDA | CIVIC | 02/06 - 01/12 | (8TH GEN) HYBRID SEDAN | CH058.102A | | CH058.903 | |
| HONDA | CIVIC | 02/06 - 01/09 | (8TH GEN) SPORT, VTI-L SEDAN | CH057.102C | | CH057.926 | |
| HONDA | CIVIC | 02/09 - 01/12 | (8TH GEN) VTI SEDAN | CH064.102C | | CH064.992 | |
| HONDA | CIVIC | 02/09 - 01/12 | (8TH GEN) SPORT, VTI-L SEDAN | CH064.102C | | CH057.926 | |
| HONDA | CIVIC | 02/12 - 01/17 | (9TH GEN) VTI, VTI-L, VTI-LN SEDAN | CH105.102C | | CH105.950 | |
| HONDA | CIVIC | 07/12 - 03/17 | (9TH GEN) VTI-S HATCH | CH106.102C | | CH106.983 | |
| HONDA | CIVIC | 02/17 - 10/21 | (10TH GEN) VTI, VTI-S, VTI-L, VTI-LX, RS SEDAN | HON1069.102C | | CH123.1024 | RM1069 - G2B, EMB, WEB. |
| HONDA | CIVIC | 07/17 - 10/21 | (10TH GEN) VTI, VTI-S, VTI-L, VTI-LX, RS HATCH | HON1069.102C | | HON5065.1068 | RM- G2B, WEB |
| HONDA | CONCERTO | 11/88 - 12/92 | (MA) ALL BADGES HATCH | CH050.101B | | CH050.836 | |
| HONDA | CRV | 03/99 - 12/01 | (RD) SPORT SUV | CH078.107A | | CH078.842 | |
| HONDA | CRV | 03/99 - 12/01 | (RD) SPORT SUV | CH084.102 | | CH078.842 | |

| MAKE | MODEL | YEAR | SERIES & SUB MODEL | Front Pattern Number | Middle Pattern Number | Rear Pattern Number | Notes |
|-------|---------|-----------------|--|----------------------|-----------------------|---------------------|---|
| HONDA | CRV | 12/01 - 08/04 | (RD) SPORT SUV | CH076.107C | | CH076.900 | |
| HONDA | CRV | 12/01 - 08/04 | (RD) STANDARD SUV | CH077.102C | | CH076.900 | |
| HONDA | CRV | 09/04 - 01/07 | (RD) STANDARD SUV | CH096.102D | | CH096.972 | |
| HONDA | CRV | 09/04 - 01/07 | (RD) LUXURY SPORT SUV | CH076.107C | | CH076.900 | |
| HONDA | CRV | 09/04 - 01/07 | (RD) SPORT SUV | CH097.107D | | CH096.972 | |
| HONDA | CRV | 10/06 - 10 | (RE) LUXURY, SPORT, STANDARD SUV | CH098.107D | | CH098.1006 | |
| HONDA | CRV | 10 - 10/12 | (RE) LIMITED, STANDARD SUV | CH099.107C | | CH098.1006 | |
| HONDA | CRV | 11/12 - 06/17 | (RM) DTI-L, DTI-S, VTI, VTI-L, VTI-S SUV | CH100.102C | | CH100.912 | |
| HONDA | CRV | 06/17 - 06/20 | (RW) VTI-L, VTI-E SUV | HON1070.102C | CH127.1001 | HON9107.821 | RM1070 - G2B, EMB, WEB |
| HONDA | CRV | 06/17 - 07/23 | (RW) VI, VTI, VTI-LX, VTI-S, VTI-X SUV | HON1070.102C | | HON5066.1022 | RM- G2B, EMB, WEB |
| HONDA | CRV | 07/23 - CURRENT | (RS) VTI-L7, VTI-X7 SUV - 7 SEATS | HON1517.102C | HON5385.530 | HON9107.821 | 2ND ROW HAS AIRBAGS |
| HONDA | CRV | 07/23 - CURRENT | (RS) E-HEVRS, VTI-L, VTI-LX, VTI-X SUV - 5 SEATS | HON1517.102C | | HON5398.1007 | |
| HONDA | CRX | 96 - 99 | (EJ) ALL BADGES COUPE | CH080.107 | | CH080.842 | |
| HONDA | CRX | 96 - 99 | (EJ) ALL BADGES COUPE | CH081.102 | | CH080.842 | |
| HONDA | FIT | 06/01 - 09/07 | (GD) ALL BADGES HATCH | CH094.102C | | CH094.899 | |
| HONDA | HRV | 09/98 - 07/02 | (GH) SPORT SUV | CH085.102C | | CH085.708 | |
| HONDA | HRV | 09/98 - 07/02 | (GH) NO BADGE SUV | CH085.102C | | CH086.806 | |
| HONDA | HRV | 09/98 - 07/02 | (GH) NO BADGE SUV | | | CH087.708 | |
| HONDA | HRV | 01/15 - 09/21 | (RU) 50 YEARS EDITION, VTI, VTI-S SUV | HON1045.102C | | HON5048.991 | RM - EMB, G2B, WEB |
| HONDA | HRV | 01/15 - 09/21 | (RU) VTI-L, VTI-LX SUV | HON1116.105 | | HON5106.987 | |
| HONDA | HRV | 08/18 - 09/21 | (RU) RS SUV | HON1116.105 | | HON5048.991 | RM5048- EMB, G2B, WEB |
| HONDA | HRV | 02/22 - CURRENT | (RV) ALL BADGES SUV | HON1352.102C | | HON5312.1140 | |
| HONDA | INTEGRA | 85 - 05/89 | (DA) SX16 COUPE | CH061.108C | | CH061.708 | |
| HONDA | INTEGRA | 04/89 - 07/93 | (DA) ALL BADGES COUPE | CH060.108C | | CH060.808 | |
| HONDA | INTEGRA | 07/93 - 98 | (DC) GSI LIFTBACK | CH062.102B | | CH062.806 | |
| HONDA | INTEGRA | 07/93 - 11/99 | (GD) VTI-R LIFTBACK | CH063.102B | | CH063.707 | |
| HONDA | JAZZ | 10/02 - 07/08 | (GD) ALL BADGES HATCH | CH094.102C | | CH094.899 | |
| HONDA | JAZZ | 08/08 - 07/14 | (GE) GLI, VIBE HATCH | CH114.102C | | CH114.991 | |
| HONDA | JAZZ | 08/08 - 07/14 | (GE) VTI, VTI-S HATCH | CH115.107C | | CH114.991 | |
| HONDA | JAZZ | 07/14 - 01/21 | (GK) VTI-L HATCH | CH114.102C | | CH125.987 | |
| HONDA | JAZZ | 07/14 - 01/21 | (GK) VTI HATCH | CH114.102C | | HON5139.991 | |
| HONDA | LEGEND | 11/87 - 03/96 | (KA) ALL BADGES COUPE | CH017.101C | | CH017.803 | |
| HONDA | ODYSSEY | 06/95 - 12/97 | (RA) PEOPLE MOVER 6 SEAT WAGON | CH070.107 | CH070.107 | HON9108.704 | |
| HONDA | ODYSSEY | 06/95 - 12/97 | (RA) PEOPLE MOVER 7 SEAT WAGON | CH070.107 | CH071.865 | HON9108.704 | |
| HONDA | ODYSSEY | 01/98 - 04/00 | (RA) PEOPLE MOVER 7 SEAT WAGON | CH070.107 | CH072.842 | HON9108.704 | |
| HONDA | ODYSSEY | 03/00 - 05/04 | (RA) PEOPLE MOVER 7 SEAT WAGON | CH073.107 | CH073.720 | HON9109.704 | |
| HONDA | ODYSSEY | 03/00 - 05/04 | (RA) PEOPLE MOVER 6 SEAT WAGON | CH074.107 | CH074.107 | HON9109.704 | |
| HONDA | ODYSSEY | 06/04 - 03/09 | (RB) LUXURY 7 SEAT WAGON | CH075.107C | CH075.942 | HON9110.821 | |
| HONDA | ODYSSEY | 06/04 - 03/09 | (RB) PEOPLE MOVER 7 SEAT WAGON | CH075.107C | CH091.969 | HON9110.821 | MIDDLE ROW DOES NOT HAVE ARMREST |
| HONDA | ODYSSEY | 06/04 - 03/09 | (RB) PEOPLE MOVER 7 SEAT WAGON | CH075.107C | CH110.942 | HON9110.821 | MIDDLE ROW DOES NOT HAVE ARMREST |
| HONDA | ODYSSEY | 04/09 - 01/14 | (RB) PEOPLE MOVER 7 SEAT WAGON | CH111.107 | CH111.1006 | HON9111.821 | |
| HONDA | ODYSSEY | 02/14 - 11/20 | (RC) VTI 8 SEAT WAGON | CH111.107 | CH111.1006 | HON9112.1060 | |
| HONDA | ODYSSEY | 02/14 - 11/20 | (RC) VTI-L 7 SEAT WAGON | HON1107.107 | HON5107.122 | HON9012.1060 | |
| HONDA | PRELUDE | 82 - 87 | (AB) ALL BADGES COUPE | CH042.102 | | CH044.826 | |
| HONDA | PRELUDE | 01/86 - 12/91 | (BA) ALL BADGES COUPE | CH042.102 | | CH042.825 | |
| HONDA | PRELUDE | 09/91 - 12/96 | (BB) SI COUPE | CH045.110 | | CH045.103 | |
| HONDA | PRELUDE | 11/96 - 07/02 | (BB) VTI, VTR COUPE | CH046.108 | | CH046.870 | |
| HONDA | ZR-V | 12/23 - CURRENT | (RZ) VTI-L, VTI-L+, VTI-X, VTI X+ SUV | HON1563.102C | | HON5405.1156 | SIDE BOLSTERS NOT COVERED DUE TO SIDE AIRBAGS |
| HONDA | ZR-V | 02/23 - CURRENT | (RZ) E: HEV LX, VTI-LX SUV | HON1563.102C | | HON5405.1156 | SIDE BOLSTERS NOT COVERED DUE TO SIDE AIRBAGS |

| MAKE | MODEL | YEAR | SERIES & SUB MODEL | Front Pattern Number | Middle Pattern Number | Rear Pattern Number | Notes |
|------|--------------|---------------|-----------------------------------|----------------------|-----------------------|---------------------|--|
| HSV | CLUBSPORT | 09/97 - 06/99 | (VT) SEDAN | CG177.102 | | CG174.854 | |
| HSV | CLUBSPORT | 09/97 - 06/99 | (VT) 10TH ANNIVERSARY SEDAN | CG261.115 | | CG174.854 | |
| HSV | CLUBSPORT | 10/02 - 09/04 | (VY) SEDAN | CG133.111 | | CG185.854 | |
| HSV | CLUBSPORT | 06/13 - 10/17 | (VF) SEDAN | CG480.121 | | CG281.997 | |
| HSV | CLUBSPORT R8 | 08/06 - 05/13 | (VE) SEDAN & WAGOON | CG350.121 | | CG281.997 | |
| HSV | GTS | 08/06 - 05/13 | (VE) SEDAN | CG355.121 | | CG281.997 | ARMREST NOT COVERED DUE TO CONSOLE LID |
| HSV | MALOO R8 | 10/07 - 05/13 | (VE) UTE | CG358.121 | | | |
| HSV | MALOO R8 | 06/13 - 02/17 | (VF) UTE (EXCLUDES BLACK EDITION) | CG490.121 | | | |
| HSV | SV CLUBSPORT | 08/90 - 09/91 | (VN) SEDAN | CG019.110 | | CG019.854 | |

| MAKE | MODEL | YEAR | SERIES & SUB MODEL | Front Pattern Number | Middle Pattern Number | Rear Pattern Number | Notes |
|---------|-------|-----------------|--------------------------------------|----------------------|-----------------------|---------------------|--|
| HYDREMA | 912G | 10/20 - CURRENT | (912G) 912G, 912GS, 912HM DUMP TRUCK | HYD1618.250 | | | A/O ONLY. ISRI 6830KM/880 SINGLE SEAT. ARMRESTS NOT COVERED. |

| MAKE | MODEL | YEAR | SERIES & SUB MODEL | Front Pattern Number | Middle Pattern Number | Rear Pattern Number | Notes |
|---------|----------|-----------------|---|----------------------|-----------------------|---------------------|---------------------------------|
| HYUNDAI | ACCENT | 07/94 - 07/99 | (X3) LS SEDAN | | | CY012.702 | |
| HYUNDAI | ACCENT | 06/00 - 12/02 | (LC) ALL BADGES HATCH & SEDAN | CY060.101C | | CY060.807 | |
| HYUNDAI | ACCENT | 03/03 - 04/06 | (LC, LS) GL HATCH | CY059.101C | | CY059.944 | |
| HYUNDAI | ACCENT | 05/06 - 01/10 | (MC) ALL BADGES SEDAN | CY062.101C | | CY062.995 | |
| HYUNDAI | ACCENT | 05/06 - 01/10 | (MC) 2DR HATCH | CY062.101C | | CY135.1000 | |
| HYUNDAI | ACCENT | 07/11 - 04/19 | (RB) ACTIVE, ELITE, PREMIUM, SR HATCH | HYU1037.102E | | HYU5031.1015 | RM1037 - G2B, WEB, RM5031 - WEB |
| HYUNDAI | ACCENT | 07/11 - 04/19 | (RB) ACTIVE, ELITE, PREMIUM SEDAN | HYU1037.102E | | CY262.1015 | RM1037 - G2B, WEB |
| HYUNDAI | ACCENT | 09/17 - 04/19 | (RB) SPORT HATCH | CY270.102E | | CY270.1015 | |
| HYUNDAI | ACCENT | 09/17 - 04/19 | (RB) SPORT SEDAN | CY270.102E | | CY262.1015 | |
| HYUNDAI | COUPE | 07/96 - 04/02 | (RD) SX, FX 2DR COUPE | CY050.102 | | CY050.806 | |
| HYUNDAI | ELANTRA | 10/00 - 09/03 | (XD) GLS 4DR HATCH | CY090.102C | | CY090.891 | |
| HYUNDAI | ELANTRA | 10/00 - 09/03 | (XD) GL 4DR HATCH | CY091.102C | | CY091.894 | |
| HYUNDAI | ELANTRA | 10/00 - 09/03 | (XD) GL SEDAN | CY091.102C | | CY093.935 | |
| HYUNDAI | ELANTRA | 10/00 - 02/07 | (XD) GLS SEDAN | CY090.102C | | CY092.882 | |
| HYUNDAI | ELANTRA | 10/03 - 02/07 | (XD) 2.0 HVT, ELITE HVT SEDAN | CY124.102C | | CY095.922 | |
| HYUNDAI | ELANTRA | 10/03 - 02/07 | (XD) 2.0 HVT, ELITE HVT, GLS HATCH | CY124.102C | | CY091.894 | |
| HYUNDAI | ELANTRA | 10/03 - 02/07 | (XD) FX HVT HATCH | CY126.102C | | CY090.891 | |
| HYUNDAI | ELANTRA | 10/03 - 02/07 | (XD) FX HVT SEDAN | CY126.102C | | CY092.882 | |
| HYUNDAI | ELANTRA | 10/06 - 05/11 | (HD) ELITE, SLX SEDAN | CY129.102C | | CY129.952 | |
| HYUNDAI | ELANTRA | 10/06 - 07 | (HD) SX SEDAN | CY128.102C | | CY128.904 | |
| HYUNDAI | ELANTRA | 07 - 05/11 | (HD) SX SEDAN | CY129.102C | | CY130.904 | |
| HYUNDAI | ELANTRA | 06/11 - 12/20 | (AD,MD) ACTIVE, ELITE, GO, TROPHY SEDAN | CY232.102C | | CY232.965 | |
| HYUNDAI | ELANTRA | 10/16 - 12/20 | (AD) SR TURBO, SPORT SEDAN | HYU1162.102C | | CY232.965 | |
| HYUNDAI | EXCEL | 02/86 - 12/89 | (X1) GL, GLS, 4DR HATCH | | | CY001.807 | |
| HYUNDAI | EXCEL | 03/87 - 12/89 | (X1) GLS SEDAN | | | CY003.702 | |
| HYUNDAI | EXCEL | 01/90 - 09/94 | (X2) LS 4DR HATCH | CY008.101 | | CY017.802 | |
| HYUNDAI | EXCEL | 01/90 - 09/94 | (X2) GS, SPRINT 2DR HATCH | CY011.102 | | CY011.807 | |
| HYUNDAI | EXCEL | 01/90 - 11/94 | (X2) GLS, SPRINT GS 4DR HATCH | | | CY002.807 | |
| HYUNDAI | EXCEL | 01/90 - 11/94 | (X2) GLS SEDAN | | | CY006.831 | |
| HYUNDAI | EXCEL | 01/90 - 11/94 | (X2) GLS, L, LS 2DR HATCH | CY008.101 | | CY016.802 | |
| HYUNDAI | EXCEL | 01/90 - 11/94 | (X2) LS SEDAN | | | CY007.802 | |
| HYUNDAI | EXCEL | 10/91 - 11/94 | (X2) PANEL VAN | CY008.101 | | | |
| HYUNDAI | EXCEL | 09/94 - 11/97 | (X3) CLASSIQUE, GX, GLX HATCH & SEDAN | CY014.101 | | CY014.807 | |
| HYUNDAI | EXCEL | 09/94 - 11/97 | (X3) LX SEDAN | | | CY015.807 | |
| HYUNDAI | EXCEL | 09/94 - 11/97 | (X3) GLX 4DR HATCH | | | CY019.836 | |
| HYUNDAI | EXCEL | 11/94 - 11/97 | (X3) SPRINT 2DR HATCH | CY013.101A | | CY021.807 | |
| HYUNDAI | EXCEL | 11/97 - 06/00 | (X3) GLX, GX, LX HATCH & SEDAN | CY021.101 | | CY021.807 | |
| HYUNDAI | GETZ | 10/05 - 08/11 | (TB) S, SX, SXi HATCH | CY109.102C | | CY109.985 | |
| HYUNDAI | GETZ | 09/02 - 09/03 | (TB) FX HATCH | CY106.102C | | CY106.932 | |
| HYUNDAI | GETZ | 09/02 - 05/05 | (TB) GL HATCH | CY105.102C | | CY105.909 | |
| HYUNDAI | GRANDEUR | 09/99 - 01/04 | (XG) XG SEDAN | CY110.102 | | CY110.882 | |
| HYUNDAI | I20 | 07/10 - 08/15 | (PB) ELITE 4DR HATCH | CY136.101C | | CY136.984 | |
| HYUNDAI | I20 | 07/10 - 08/15 | (PB) ACTIVE 2DR HATCH | CY137.101C | | CY137.984 | |
| HYUNDAI | I20 | 07/10 - 08/15 | (PB) ACTIVE 4DR HATCH | CY267.101C | | CY137.984 | |
| HYUNDAI | I20 | 02/21 - CURRENT | (BC3) N HATCH | HYU1453.224 | | HYU5361.1015 | |
| HYUNDAI | I30 | 10/07 - 04/12 | (FD) SX, TROPHY HATCH | CY138.102C | | CY138.983 | |
| HYUNDAI | I30 | 10/07 - 04/12 | (FD) SR, SLX HATCH | CY250.102C | | CY250.968 | |
| HYUNDAI | I30 | 11/12 - 03/16 | (GD) TOURER ACTIVE WAGON | CY273.101C | | CY273.969 | |
| HYUNDAI | I30 | 11/12 - 03/16 | (GD) TOURER ELITE WAGON | CY273.101C | | NPR | |
| HYUNDAI | I30 | 05/12 - 03/17 | (GD) PREMIUM, ELITE, SR, SR PREMIUM 4DR HATCH | HYU1039.101C | | CY252.972 | RM1039 - G2B, WEB, PFM |

| MAKE | MODEL | YEAR | SERIES & SUB MODEL | Front Pattern Number | Middle Pattern Number | Rear Pattern Number | Notes |
|---------|----------|-----------------|--|----------------------|-----------------------|---------------------|---|
| HYUNDAI | I30 | 05/12 - 03/17 | (GD) ACTIVE, ACTIVE X, SE, TROPHY 4DR HATCH | HYU1039.101C | | HYU5033.983 | RM - G2B, WEB. PFM |
| HYUNDAI | I30 | 12/17 - 08/20 | (PD) GO HATCH | HYU1040.102C | | HYU5127.985 | RM1040 - G2B, GBB, WEB. RM5127 - G2B. PFM |
| HYUNDAI | I30 | 04/17 - 04/24 | (PD) ACTIVE, ELITE, PREMIUM, SR, SR PREMIUM HATCH | HYU1040.102C | | HYU5034.1032 | RM1040 - G2B, GBB, WEB. RM5034 - G2B, GBB, WEB. PFM |
| HYUNDAI | I30 | 12/18 - 04/24 | (PD) N-LINE, N-LINE PREMIUM HATCH | HYU1208.102C | | HYU5034.1032 | RM5034 - G2B, GBB, WEB. PFM |
| HYUNDAI | I30 | 02/18 - 04/24 | (PDe) N-LINE, N-LINE MHEV, N PERFORMANCE, N PERFORMANCE LUXURY TURBO HATCH | HYU1220.121 | | HYU5205.1032 | |
| HYUNDAI | I30 | 02/19 - 09/22 | (PDe) FASTBACK N PERFORMANCE TURBO FASTBACK | HYU1220.121 | | HYU5205.1032 | |
| HYUNDAI | I30 | 08/20 - CURRENT | (CN7) PETROL - ACTIVE, ELITE, PREMIUM SEDAN | HYU1565.102C | | HYU5408.949 | |
| HYUNDAI | I30 | 11/20 - CURRENT | (CN7) N LINE, N LINE PREMIUM, N LINE SPECIAL SEDAN | HYU1550.102C | | HYU5412.965 | |
| HYUNDAI | I30 | 10/23 - CURRENT | (CN7) HYBRID SEDAN | HYU1534.102C | | HYU5391.882 | |
| HYUNDAI | I30CW | 03/09 - 01/13 | (FD) SLX WAGON | CY138.102C | | CY140.1032 | |
| HYUNDAI | I40 | 10/11 - 04/19 | (VF) ACTIVE, ELITE, PREMIUM WAGON | CY228.102C | | CY228.952 | SIDE BOLSTERS NOT COVERED DUE TO SIDE AIRBAGS |
| HYUNDAI | I45 | 05/10 - 01/13 | (YF) ACTIVE, ELITE, PREMIUM SEDAN | CY217.102C | | CY217.952 | |
| HYUNDAI | ILOAD | 02/08 - 09/21 | (TQ) 3 SEAT VAN | HYU1036.303 | | | RM - G2B, STC, TRG. AOF AVAILABLE. |
| HYUNDAI | ILOAD | 02/08 - 09/21 | (TQ) 6 SEAT VAN | HYU1036.303 | | CY045.717 | RM1036 - G2B, STC, TRG. |
| HYUNDAI | ILOAD | 02/08 - 09/21 | (TQ) 6 SEAT VAN | HYU1036.303 | | HYU5161.701 | RM1036 - G2B, STC, TRG. AOF AVAILABLE 1036. |
| HYUNDAI | IMAX | 02/08 - 10 | (TQ) PEOPLE MOVER | CY132.102C | HYU5067.910 | HYU9113.896 | RM5067 - G2B, EMB, WEB |
| HYUNDAI | IMAX | 02/08 - 07/12 | (TQ) 6 SEAT VAN | HYU1036.303 | | CY045.717 | RM1036 - G2B, STC, TRG. AOF AVAILABLE 1036. |
| HYUNDAI | IMAX | 02/08 - 09/21 | (TQ) PEOPLE MOVER | HYU1071.107C | HYU5067.910 | HYU9113.896 | RM1071 - G2B, WEB. RM5067 - G2B, EMB, WEB |
| HYUNDAI | INSTER | 01/25 - CURRENT | (AX) ALL BADGES HATCH | HYU1665.258 | | HYU5483.709 | |
| HYUNDAI | IONIQ | 03/17 - CURRENT | (AE.2) ELITE, PREMIUM HATCH | HYU1129.102C | | HYU5126.1032 | ELECTRIC / HYBRID & PLUG-IN |
| HYUNDAI | IONIQ 5 | 08/23 - 07/24 | (NE.4) ESSENTIAL SUV | HYU1614.102C | | HYU5436.1120 | |
| HYUNDAI | IONIQ 5 | 07/24 - CURRENT | (NE.5) DYNAMIQUE, DYNAMIQUE N-LINE, NO BADGE SUV | HYU1614.102C | | HYU5436.1120 | |
| HYUNDAI | IONIQ 5 | 07/24 - CURRENT | (NE.5) EPIQ, EPIQ N-LINE, N SUV | NPR | | HYU5436.1120 | |
| HYUNDAI | IONIQ 6 | 11/22 - CURRENT | (CE) EPIQ, TECHNIQ SEDAN | HYU1526.121C | | HYU5386.965 | |
| HYUNDAI | IONIQ 6 | 11/22 - CURRENT | (CE) DYNAMIQ SEDAN | HYU1528.121C | | HYU5386.965 | |
| HYUNDAI | IX35 | 02/10 - 09/13 | (LM) WAGON | CY210.102C | | CY210.1032 | REMOVABLE HEADRESTS, REAR ARMREST NOT COVERED |
| HYUNDAI | IX35 | 10/13 - 06/15 | (LM) ELITE, SE, TROPHY WAGON | HYU1216.102C | | HYU5203.1032 | FRONT HEADRESTS NON REMOVABLE |
| HYUNDAI | KONA | 09/17 - 07/23 | (OS) ACTIVE, ELITE, HIGHLANDER, N-LINE, N-LINE PREMIUM SUV | HYU1171.102C | | HYU5168.995 | RM - G2B, WEB |
| HYUNDAI | KONA | 09/17 - 11/20 | (OS) GO SUV | HYU1171.102C | | HYU5096.966 | RM1171 - G2B, WEB |
| HYUNDAI | KONA | 07/21 - 01/24 | (OS) N SUV | HYU1414.159 | | HYU5168.995 | RM5168 - G2B, WEB |
| HYUNDAI | KONA | 04/23 - CURRENT | (SX2) ALL BADGES SUV | HYU1478.102C | | HYU5371.995 | RM1478 - GBB, GBR. RM5371 - GBB |
| HYUNDAI | LANTRA | 05/91 - 08/95 | (J1) GL, GLS SEDAN | CY010.101B | | CY010.831 | |
| HYUNDAI | LANTRA | 08/95 - 10/00 | (J2, J3) GL, SPORTZ WAGON | CY041.102C | | CY041.836 | |
| HYUNDAI | LANTRA | 08/95 - 10/00 | (J2, J3) GL, SE SEDAN | CY042.102 | | CY042.883 | |
| HYUNDAI | LANTRA | 08/95 - 10/00 | (J2, J3) GLS SEDAN | CY040.102C | | CY040.831 | |
| HYUNDAI | LANTRA | 08/95 - 10/00 | (J2, J3) SE WAGON | | | CY043.504 | |
| HYUNDAI | LAVITA | 01 - 04 | (XD) GLS HATCH | CY120.102C | | CY120.912 | |
| HYUNDAI | MIGHTY | 16 - CURRENT | EX4, EX5, EX6 2DR TRUCK | HYU1437.303 | | | |
| HYUNDAI | MIGHTY | 16 - CURRENT | EX4, EX6, EX8, EX9, EX10 2DR TRUCK | HYU1441.312 | | | AOF AVAILABLE |
| HYUNDAI | MIGHTY | 11/20 - CURRENT | EX6, EX9 2DR TRUCK (NZ ONLY) | HYU1476.303 | | | AOF ONLY |
| HYUNDAI | MIGHTY | 04/23 - CURRENT | (QTC.V1) ELECTRIC TRUCK | HYU1546.302 | | | AOF ONLY |
| HYUNDAI | PALISADE | 10/20 - CURRENT | (LX) ELITE & HIGHLANDER 7 SEAT SUV | HYU1295.102C | HYU5249.1128 | HYU9035.1097 | USB ALLOWANCE ON FRONT SEATS |
| HYUNDAI | PALISADE | 10/20 - CURRENT | (LX) ELITE & HIGHLANDER 8 SEAT SUV | HYU1295.102C | HYU5272.979 | HYU9035.1097 | USB ALLOWANCE ON FRONT SEATS |
| HYUNDAI | PAVISE | 20 - CURRENT | D115 & D217 2DR TRUCK | HYU1429.141 | | | AOF AVAILABLE |
| HYUNDAI | SANTA FE | 11/00 - 09/03 | (SM) GL, GLS SUV | CY055.102C | | CY055.912 | |
| HYUNDAI | SANTA FE | 10/03 - 04/06 | (SM) GL SUV | CY056.102C | | CY056.912 | |
| HYUNDAI | SANTA FE | 05/06 - 08/12 | (CM) SLX, ELITE, SX, 7 SEAT SUV | CY057.102C | CY143.972 | HYU9017.931 | |
| HYUNDAI | SANTA FE | 05/06 - 08/12 | (CM) SLX, ELITE, SX, 5 SEAT SUV | CY057.102C | | CY057.987 | REAR ARMREST NOT COVERED CONSOLE TYPE LID |
| HYUNDAI | SANTA FE | 08/12 - 11/18 | (DM) ACTIVE, ELITE, HIGHLANDER 7 SEAT SUV | CY147.102C | CY147.1038 | HYU9114.931 | |
| HYUNDAI | SANTA FE | 12/18 - 02/24 | (TM) ACTIVE, ELITE, HIGHLANDER 7 SEAT SUV | HYU1087.102C | HYU5085.972 | HYU9009.931 | RM1087 & RM5085 - G2B |

| MAKE | MODEL | YEAR | SERIES & SUB MODEL | Front Pattern Number | Middle Pattern Number | Rear Pattern Number | Notes |
|---------|-------------|-----------------|---|----------------------|-----------------------|---------------------|--|
| HYUNDAI | SANTA FE | 02/24 - CURRENT | (MX) HEV HYBRID NO BADGE, HEV HYBRID ELITE SUV | HYU1558.102C | HYU5401.1120 | HYU9119.931 | 2ND ROW HAS AIRBAGS |
| HYUNDAI | SANTA FE | 02/24 - CURRENT | (MX) HEV HYBRID CALLIGRAPHY 7 SEAT SUV | HYU1557.239 | HYU5401.1120 | HYU9119.931 | FRONT ROW RECLINER ALLOWED FOR (NOT COVERED). 2ND ROW HAS AIRBAGS. |
| HYUNDAI | SANTA FE | 02/24 - CURRENT | (MX) HEV HYBRID CALLIGRAPHY 6 SEAT SUV | HYU1557.239 | NPR | HYU9119.931 | FRONT ROW RECLINER ALLOWED FOR (NOT COVERED). |
| HYUNDAI | SCOUPE | 90 - 04/96 | (1N) 2DR COUPE | CY009.101 | | CY009.836 | |
| HYUNDAI | SONATA | 03/89 - 10/93 | (Y2) GL, GLE SEDAN | | | CY004.802 | |
| HYUNDAI | SONATA | 03/89 - 10/93 | (Y2) GLS SEDAN | CY005.102 | | CY005.804 | |
| HYUNDAI | SONATA | 10/93 - 95 | (Y2, Y3) GLE SEDAN | | | CY020.802 | |
| HYUNDAI | SONATA | 10/93 - 08/98 | (Y3) GLS SEDAN | CY018.102C | | CY018.862 | |
| HYUNDAI | SONATA | 95 - 08/98 | (Y3) GLE SEDAN | CY018.102C | | CY030.883 | |
| HYUNDAI | SONATA | 08/98 - 10/00 | (EF) GLE, GLS SEDAN | CY031.102 | | CY031.893 | |
| HYUNDAI | SONATA | 08/98 - 10/00 | (EF) CLASSIQUE SEDAN | CY032.102C | | CY032.893 | |
| HYUNDAI | SONATA | 09/01 - 05/05 | (EF-B) GL SEDAN | CY033.102 | | CY033.882 | |
| HYUNDAI | SONATA | 06/05 - 05/08 | (NF) ELITE SEDAN | CY034.102 | | CY034.952 | |
| HYUNDAI | SONATA | 06/05 - 05/08 | (NF) SLX V6 SEDAN | CY036.111 | | CY034.952 | |
| HYUNDAI | SONATA | 12/14 - 10/20 | (LF) ALL BADGES SEDAN | HYU1246.102C | | HYU5225.952 | |
| HYUNDAI | SONATA | 12/20 - CURRENT | (DN) N-LINE SEDAN | HYU1620.102C | | HYU5442.952 | |
| HYUNDAI | STARIA | 06/21 - CURRENT | (US) ALL BADGES WAGON | HYU1319.102C | HYU5271.991 | HYU9038.982 | RM5271 - EMB |
| HYUNDAI | STARIA LOAD | 06/21 - CURRENT | (US) ALL BADGES VAN | HYU1306.102C | | HYU5476.717 | RM1306 - STC, TRG. AOF AVAILABLE. |
| HYUNDAI | TERRACAN | 12/01 - 03 | (HP) HIGHLANDER SUV | CY113.102 | CY113.916 | HYU9115.930 | CY113.930 |
| HYUNDAI | TERRACAN | 03 - 01/07 | (HP) CRDI, HIGHLANDER SUV | CY113.102 | CY114.912 | HYU9116.931 | CY114.931 |
| HYUNDAI | TERRACAN | 01/05 - 01/07 | (HP) CRDI SUV | CY113.102 | CY114.912 | HYU9115.930 | CY113.930 |
| HYUNDAI | TIBURON | 03/02 - 10/10 | (GK) COUPE | CY048.102C | | CY048.806 | |
| HYUNDAI | TRAJET | 09/99 - 07/08 | (FO) GL WAGON | CY100.102 | CY100.521 | HYU9117.916 | CY100.916 |
| HYUNDAI | TRAJET | 09/99 - 07/08 | (FO) GLS WAGON | CY101.107C | CY101.107C | HYU9117.916 | CY100.916 |
| HYUNDAI | TUCSON | 04/04 - 03/07 | (JM) CITY, ELITE SUV | CY117.102C | | CY117.972 | |
| HYUNDAI | TUCSON | 04/07 - 01/10 | (JM) CITY ELITE, CITY SX, SX SUV | CY119.102C | | CY117.972 | |
| HYUNDAI | TUCSON | 07/15 - 04/17 | (TL, TLE) ACTIVE, ELITE SUV | HYU1038.102C | | HYU5116.965 | RM1038 - EMB, G2B, GBB, WEB. PFM |
| HYUNDAI | TUCSON | 07/15 - 18 | (TLE) HIGHLANDER SUV | HYU1038.102C | | HYU5116.965 | RM1038 - EMB, G2B, GBB, WEB. PFM |
| HYUNDAI | TUCSON | 07/15 - 02/21 | (TL, TLE) ACTIVE-X SUV | HYU1038.102C | | HYU5032.1032 | RM1038 - EMB, G2B, GBB, WEB. RM5032 - G2B, GBB, WEB. PFM |
| HYUNDAI | TUCSON | 04/17 - 02/21 | (TL, TLE) ACTIVE, ELITE SUV | HYU1038.102C | | HYU5032.1032 | RM1038 - EMB, G2B, GBB, WEB. RM5032 - G2B, GBB, WEB. PFM |
| HYUNDAI | TUCSON | 18 - 02/21 | (TL, TLE) GO, HIGHLANDER SUV | HYU1038.102C | | HYU5032.1032 | RM1038 - EMB, G2B, GBB, WEB. RM5032 - G2B, GBB, WEB. PFM |
| HYUNDAI | TUCSON | 02/21 - CURRENT | (NX) PETROL & HYBRID; ELITE, ELITE N-LINE, N-LINE SUV | HYU1337.102C | | HYU5279.1046 | RM - GBB, GBR |
| HYUNDAI | TUCSON | 02/21 - 07/25 | (NX) HIGHLANDER & HIGHLANDER N-LINE SUV | HYU1338.102C | | HYU5279.1046 | RM5279 - GBB, GBR |
| HYUNDAI | TUCSON | 04/24 - CURRENT | (NX) PREMIUM & PREMIUM N-LINE SUV | HYU1338.102C | | HYU5279.1046 | RM5279 - GBB, GBR |
| HYUNDAI | VELOSTER | 02/12 - 08/19 | (FS) ALL BADGES COUPE | CY257.121 | | CY257.1075 | |
| HYUNDAI | VELOSTER | 07/19 - 12/20 | (JS) ALL BADGES COUPE | HYU1213.108C | | HYU5201.1106 | |
| HYUNDAI | VENUE | 07/19 - CURRENT | (QX) ALL BADGES WAGON | HYU1158.102C | | HYU5153.985 | RM1158 - G2B |

| MAKE | MODEL | YEAR | SERIES & SUB MODEL | Front Pattern Number | Middle Pattern Number | Rear Pattern Number | Notes |
|------|---------------|------|---|----------------------|-----------------------|---------------------|---|
| ISRI | 5030-880 | N/A | 5030-880 DRIVER & PASSENGER | ISR1385.194 | | | ISRI 5030-880 DRIVER AND PASSENGER SEAT. AOF ONLY. |
| ISRI | 5030-880 | N/A | 5030-880 DRIVER SEAT & FIXED ISRI PASSENGER | ISR1382.191 | | | ISRI 5030-880 DRIVER SEAT AND FIXED ISRI PASSENGER SEAT. AOF ONLY |
| ISRI | 6830KM-880 | N/A | 6830KM-880 SINGLE SEAT | ISR1618.250 | | | A/O ONLY. ARMRESTS NOT COVERED |
| ISRI | 6860-870 NTS2 | N/A | 6860-870 NTS2 DRIVER WITH INTEGRATED SEAT BELT | ISR1365.149 | | | AOF ONLY. |
| ISRI | 6860-870 NTS2 | N/A | 6860-870 NTS2 DRIVER & PASSENGER WITH INTEGRATED SEAT BELT & ARMREST ALLOWANCES | ISR1594.248 | | | AOF ONLY. ISRI 6860/870 NTS2 DRIVER & PASSENGER WITH INTEGRATED SEAT BELT & ARMRESTS. ARMRESTS NOT COVERED. |
| ISRI | 6860-876 | N/A | 6860-876 DRIVER & PASSENGER WITH UNIVERSAL ARMREST ALLOWANCES. | ISR1375.189 | | | A/O ONLY. UNIVERSAL ARMREST ALLOWANCE TO SUIT 1 OR 2 ARMRESTS. ARMRESTS NOT COVERED. |
| ISRI | 6500-517 | N/A | 6500-517 SINGLE SEAT, SUITS DRIVER OR PASSENGER SIDE | ISR1372.187 | | | FABRIC SKIRT PATTERN |

| MAKE | MODEL | YEAR | SERIES & SUB MODEL | Front Pattern Number | Middle Pattern Number | Rear Pattern Number | Notes |
|-------|----------|-----------------|--|----------------------|-----------------------|---------------------|---|
| ISUZU | D MAX | 10/08 - 05/12 | (TF) ALL BADGES SINGLE CAB BENCH SEAT | ISU1181.211 | | | RM1181 - G2B |
| ISUZU | D MAX | 10/08 - 05/12 | (TF) ALL BADGES SINGLE CAB BKT SEATS | ISU1068.102C | | | RM - G2B, TRB, TRG. AO AVAILABLE. |
| ISUZU | D MAX | 10/08 - 05/12 | (TF) ALL BADGES DUAL CAB | ISU1068.102C | | ISU5064.956 | RM - G2B, TRB, TRG. AO AVAILABLE. |
| ISUZU | D MAX | 07/09 - 05/12 | (TF) SX SPACE CAB BKT SEATS | ISU1068.102C | | | RM - G2B, TRB, TRG. AO AVAILABLE. |
| ISUZU | D MAX | 06/12 - 13 | (TF) SX DUAL CAB | ISU1004.102C | | ISU5011.1048 | RM1004 - G2B, GBB, STC, TRG, TRB, WEB. RMS011 - TRG. AO AVAILABLE. PFM |
| ISUZU | D MAX | 06/12 - 06/20 | (TF) ALL BADGES SINGLE CAB | ISU1004.102C | | | RM1004 - G2B, GBB, STC, TRG, TRB, WEB. AO AVAILABLE. |
| ISUZU | D MAX | 06/12 - 06/20 | (TF) LS, LS-U, LS-M, LS-TERRAIN DUAL CAB | ISU1002.102C | | ISU5012.1044 | RM1002 - G2B, GBB, GBR, STC, TRB, TRG, WEB. RM5012 - G2B, GBB, STC, TRB, TRG. AOF AVAILABLE. PFM. CC04 - ANB & STC |
| ISUZU | D MAX | 06/12 - 06/20 | (TF) LS-U SPACE CAB | ISU1002.102C | | ISU5178.958 | RM1002 - G2B, GBB, GBR, STC, TRB, TRG, WEB. RM5178 - TRG. AOF AVAILABLE. CC04 - ANB & STC |
| ISUZU | D MAX | 06/12 - 06/20 | (TF) SX SPACE CAB | ISU1004.102C | | ISU5178.958 | RM1004 - G2B, GBB, STC, TRG, TRB, WEB. RM5178 - TRG. AO AVAILABLE. CC04 - ANB & STC |
| ISUZU | D MAX | 14 - 06/20 | (TF) 4X2 SX DUAL CAB | ISU1004.102C | | ISU5011.1048 | RM1004 - G2B, GBB, STC, TRB, TRG, WEB. RMS011 - TRG. AO AVAILABLE. PFM |
| ISUZU | D MAX | 14 - 06/20 | (TF) 4X4 SX DUAL CAB | ISU1002.102C | | ISU5012.1044 | RM1002 - G2B, GBB, GBR, STC, TRB, TRG, WEB. RM5012 - G2B, GBB, STC, TRB, TRG. AOF AVAILABLE. PFM. CC04 - ANB & STC |
| ISUZU | D MAX | 07/20 - CURRENT | (TF) SX DUAL CAB | ISU1562.159 | | ISU5211.1048 | RM5211 - GBB, TRB, TRG. AOF AVAILABLE 1562. PFM. CC03 - ANB & STC |
| ISUZU | D MAX | 07/20 - CURRENT | (TF) LS-U, SX SPACE CAB | ISU1224.159 | | | RM1224 - EMB, G2B, GBB, GBL, GBR, RCB, STB, STC, TRB, TRG, WEB. AOF AVAILABLE. CC03 - ANB & STC |
| ISUZU | D MAX | 07/20 - CURRENT | (TF) BLADE, LS-M, LS-U, X-RIDER, X-TERRAIN DUAL CAB | ISU1224.159 | | ISU5210.1044 | RM1224 - EMB, G2B, GBB, GBL, GBR, RCB, STB, STC, TRB, TRG, WEB. RM5210 - G2B, GBB, GBR, STC, TRB, TRG, WEB. AOF AVAILABLE. PFM. CC03 - ANB & STC |
| ISUZU | D MAX | 07/20 - CURRENT | (TF) SX SINGLE CAB | ISU1225.110 | | | RM1225 - GBB, STB, TRB, TRG. AOF AVAILABLE |
| ISUZU | D MAX | 07/20 - CURRENT | (TFS87) DUAL CAB UTILITY | ISU1225.110 | | ISU5334.1148 | RM1225 - GBB, STB, TRB, TRG. AOF AVAILABLE 1225. |
| ISUZU | ELF | 06 - CURRENT | (NLR) NARROW CREW CAB TRUCK | ISU1283.213 | | CG303.956 | RM1283 - CVC, RIB. A/O AVAILABLE. |
| ISUZU | ELF | 07/15 - CURRENT | (NMR, NNR, NPR, NPS) WIDE CAB TRUCK | ISU1288.304 | | | RM1288 - CVC. SUSPENSION SEAT NOT ALLOWED FOR. A/O AVAILABLE. FRONT CONVERTED FROM CG472. |
| ISUZU | ELF | 07/15 - CURRENT | (NMR, NNR, NPR, NPS) WIDE CAB TRUCK | ISU1290.3045 | | | RM1290 - CVC, RIB. SUSPENSION SEAT ALLOWED FOR. A/O AVAILABLE. FRONT CONVERTED FROM CG474. |
| ISUZU | ELF | 07/15 - CURRENT | (NMR, NNR, NPR, NPS) WIDE CAB TRUCK | ISU1204.155 | | | RM - CVC. DRIVER SEAT ONLY - SUSPENSION SEAT NOT ALLOWED FOR. A/O AVAILABLE |
| ISUZU | F SERIES | 96 - 12/07 | FRR500, FRR34 TRUCK | CG300.402 | | | |
| ISUZU | F SERIES | 96 - 12/07 | FRR500 TRUCK | ISU1281.120 | | | STRETCH BACKING & FABRIC SKIRT PATTERN. ISRI 6500 DRIVER SUSPENSION, STATIC CENTRE & STD PASSENGER SEAT. FRONT CONVERTED FROM CG301. |
| ISUZU | F SERIES | 11/07 - 06/16 | NARROW & WIDE CAB TRUCK | ISU1284.129 | | | RM1284 - CVC, RIB. A/O AVAILABLE. ISRI 6860 DRIVER SUSPENSION, FOLD DOWN STATIC CENTRE & STD PASSENGER SEAT FRONTS. FRONT CONVERTED FROM CG304. |
| ISUZU | F SERIES | 11/07 - 06/16 | NARROW & WIDE CAB TRUCK | ISU1287.130 | | | RM1287 - CVC. A/O AVAILABLE. ISRI 6860 DRIVER SUSPENSION, FOLD DOWN STATIC CENTRE SEAT & ISRI 6860 PASSENGER WITH NO SEATBELT CUT-OUT. FRONT CONVERTED FROM CG471. |
| ISUZU | F SERIES | 11/07 - 06/16 | NARROW & WIDE CAB TRUCK, DRIVER SEAT ONLY | ISU1146.149 | | | RM - CVC. A/O ONLY. ISRI 6860 SUSPENSION DRIVER SEAT ONLY . |
| ISUZU | F SERIES | 11/07 - 06/16 | (FRR, FSS) NARROW CREW CAB TRUCK | ISU1284.129 | | ISU5247.1040 | RM1284 - CVC, RIB. A/O AVAILABLE. ISRI 6860 DRIVER SUSPENSION, FOLD DOWN STATIC CENTRE & STD PASSENGER SEAT FRONTS. FRONT CONVERTED FROM CG304. REAR CONVERTED FROM CG381. |
| ISUZU | F SERIES | 11/07 - 06/16 | (FTR, FTS) WIDE CREW CAB TRUCK | ISU1284.129 | | ISU5244.1040 | RM1284 - CVC, RIB. A/O AVAILABLE. ISRI 6860 DRIVER SUSPENSION, FOLD DOWN STATIC CENTRE & STD PASSENGER SEAT FRONTS. FRONT CONVERTED FROM CG304. REAR CONVERTED FROM CG382. |
| ISUZU | F SERIES | 07/16 - 05/25 | (FTR, FTS, FVD162-250) WIDE CREW CAB TRUCK | ISU1289.131 | | ISU5245.1040 | RM1289 - CVC. A/O AVAILABLE. DRIVER & PASSENGER ISRI SUSPENSION SEAT WITH INTERGATED SEAT BELT. FRONT CONVERTED FROM CG473. REAR CONVERTED FROM CG475. |
| ISUZU | F SERIES | 07/16 - 05/25 | (FTR, FTS, FVD162-250) TRUCK, PASSENGER SEAT ONLY | ISU1230.160 | | | A/O AVAILABLE. ISRI PASSENGER SEAT ONLY, WITH INTEGRATED SEAT BELT. |
| ISUZU | F SERIES | 07/16 - 05/25 | WIDE CREW CAB TRUCK (EXCLUDING FTR, FTS, FVD165-260) | ISU1284.129 | | ISU5245.1040 | RM1284 - CVC, RIB. A/O AVAILABLE. ISRI 6860 DRIVER SUSPENSION, FOLD DOWN STATIC CENTRE & STD PASSENGER SEAT FRONTS. FRONT CONVERTED FROM CG304. REAR CONVERTED FROM CG475. |
| ISUZU | F SERIES | 07/16 - 05/25 | WIDE CREW CAB TRUCK (EXCLUDING FTR, FTS, FVD165-260) | ISU1287.130 | | ISU5245.1040 | RM1287 - CVC. A/O AVAILABLE. ISRI 6860 DRIVER SUSPENSION, FOLD DOWN STATIC CENTRE SEAT & ISRI 6860 PASSENGER WITH NO SEATBELT CUT-OUT. FRONT CONVERTED FROM CG471. REAR CONVERTED FROM CG475. |
| ISUZU | F SERIES | 07/16 - 05/25 | NARROW CREW CAB TRUCK | ISU1284.129 | | ISU5246.1040 | RM1284 - CVC, RIB. A/O AVAILABLE. ISRI 6860 DRIVER SUSPENSION, FOLD DOWN STATIC CENTRE & STD PASSENGER SEAT FRONTS. FRONT CONVERTED FROM CG304. REAR CONVERTED FROM CG476. |
| ISUZU | F SERIES | 07/16 - 05/25 | NARROW CREW CAB TRUCK | ISU1287.130 | | ISU5246.1040 | RM1287 - CVC. A/O AVAILABLE. ISRI 6860 DRIVER SUSPENSION, FOLD DOWN STATIC CENTRE SEAT & ISRI 6860 PASSENGER WITH NO SEATBELT CUT-OUT. REAR CONVERTED FROM CG476. |
| ISUZU | F SERIES | 07/16 - 05/25 | (FTS) WIDE CREW CAB FIRE TRUCK - CAT 1 | ISU1459.162 | | ISU5245.1040 | AOF ONLY. MODIFIED SEATS FOR FIRE TRUCKS |
| ISUZU | F SERIES | 01/19 - CURRENT | MCCONNELL SEAT DUAL CAB TRUCK | | | ISU5133.1089 | A/O ONLY. MCCONNELL DESIGN SEAT |

| MAKE | MODEL | YEAR | SERIES & SUB MODEL | Front Pattern Number | Middle Pattern Number | Rear Pattern Number | Notes |
|-------|----------|-----------------|---|---|--|---------------------|---|
| ISUZU | F SERIES | 05/25 - CURRENT | FVD, FVL, FVR, FVY, FVZ, FXD, FXR, FXL, FXY, FXZ, FYH & FYJ WIDE SINGLE CAB TRUCK | ISU1607.415 | | | STRETCH BACKING & FABRIC SKIRT PATTERN. AOF AVAILABLE. ISRI 6860/875 NTS2 AIR SUSPENSION DRIVER SEAT WITH UNIVERSAL ARM REST ALLOWANCE, FOLDING CENTRE SEAT & PASSENGER BUCKET SEAT |
| ISUZU | F SERIES | 05/25 - CURRENT | FSD, FSR & FRD & FRR NARROW SINGLE CAB TRUCK | ISU1607.415 | | | STRETCH BACKING & FABRIC SKIRT PATTERN. AOF AVAILABLE. ISRI 6860/875 NTS2 AIR SUSPENSION DRIVER SEAT WITH UNIVERSAL ARM REST ALLOWANCE, FOLDING CENTRE SEAT & PASSENGER BUCKET SEAT |
| ISUZU | F SERIES | 05/25 - CURRENT | FSS WIDE CREW CAB TRUCK | ISU1607.415 | | ISU5479.1040 | STRETCH BACKING & FABRIC SKIRT PATTERN. AOF AVAILABLE. ISRI 6860/875 NTS2 AIR SUSPENSION DRIVER SEAT WITH UNIVERSAL ARM REST ALLOWANCE, FOLDING CENTRE SEAT & PASSENGER BUCKET SEAT. 4 PAX REAR |
| ISUZU | F SERIES | 05/25 - CURRENT | FRR NARROW CREW CAB TRUCK | ISU1607.415 | | ISU5478.1040 | STRETCH BACKING & FABRIC SKIRT PATTERN. AOF AVAILABLE. ISRI 6860/875 NTS2 AIR SUSPENSION DRIVER SEAT WITH UNIVERSAL ARM REST ALLOWANCE, FOLDING CENTRE SEAT & PASSENGER BUCKET SEAT. 4 PAX REAR |
| ISUZU | F SERIES | 05/25 - CURRENT | FVD WIDE CREW CAB TRUCK | ISU1661.257 | | ISU5479.1040 | STRETCH BACKING & FABRIC SKIRT PATTERN. AOF AVAILABLE. ISRI 6860/875 NTS2 AIR SUSPENSION DRIVER & PASSENGER SEAT WITH UNIVERSAL ARM REST ALLOWANCE, FOLDING CENTRE SEAT. 4 PAX REAR |
| ISUZU | F SERIES | 05/25 - CURRENT | FTS WIDE CREW & SINGLE CAB TRUCK | ISU1661.257 | | ISU5479.1040 | STRETCH BACKING & FABRIC SKIRT PATTERN. AOF AVAILABLE. ISRI 6860/875 NTS2 AIR SUSPENSION DRIVER & PASSENGER SEAT WITH UNIVERSAL ARM REST ALLOWANCE, FOLDING CENTRE SEAT. 4 PAX REAR |
| ISUZU | GIGA | 02 - CURRENT | (CX, CXZ, EXY) 2DR TRUCK | ISU1286.132 | | | RM1286 - CVC. A/O AVAILABLE. FRONT CONVERTED FROM CG470 |
| ISUZU | GIGA | 18 - CURRENT | (CYZ) 530 2DR TRUCK | ISU1384.132 | | | |
| ISUZU | I-BUS | 2016 - 2024 | (NPS) 20 & 26 SEAT BUS - WIDE WIDTH SEATS | DRIVER = ISU1629.253 PASSENGER = ISU1630.253 | ISU5145.1093 ISU5146.1094 ISU5147.1095 ISU5148.1096 ISU5187.1100 ISU5188.1101 | | A/O ONLY. 1629 = DRIVER SIDE ONLY, SUSPENSION SEAT NOT ALLOWED FOR 1630 = PASSENGER SIDE ONLY 5145 = SEATBELT FROM THE LEFT, HANDLE ON THE RIGHT 5146 = SEATBELT FROM THE RIGHT, NO HANDLE 5147 = SEATBELT FROM THE RIGHT, HANDLE ON THE LEFT 5148 = SEATBELT FROM THE LEFT, NO HANDLE 5187 = INCLUDES ISOFIX, SEATBELT FROM THE LEFT, NO HANDLE 5188 = INCLUDES ISOFIX, SEATBELT FROM THE RIGHT, NO HANDLE |
| ISUZU | I-BUS | 21 - CURRENT | (NPR / NQR) 32 SEAT BUS - NARROW WIDTH SEATS (BLUE DOT DESIGN) | DRIVER = ISU1629.253 PASSENGER = ISU1630.253 | ISU5302.1093 ISU5303.1094 ISU5304.1095 ISU5305.1096 ISU5455.1101 ISU5456.1100 | | A/O ONLY. 1629 = DRIVER SIDE ONLY, SUSPENSION SEAT NOT ALLOWED FOR 1630 = PASSENGER SIDE ONLY 5302 = SEATBELT FROM THE LEFT, HANDLE ON THE RIGHT 5303 = SEATBELT FROM THE RIGHT, NO HANDLE 5304 = SEATBELT FROM THE RIGHT, HANDLE ON THE LEFT 5305 = SEATBELT FROM THE LEFT, NO HANDLE 5455 = INCLUDES ISOFIX, SEATBELT FROM THE RIGHT, NO HANDLE 5456 = INCLUDES ISOFIX, SEATBELT FROM THE LEFT, NO HANDLE |
| ISUZU | I-BUS | 25 - CURRENT | (NPS 4x4) 20 & 26 SEAT BUS - WIDE WIDTH SEATS (GREY LEATHER) | DRIVER = ISU1629.253 PASSENGER = ISU1630.253 | ISU5459.1093 ISU5460.1094 ISU5461.1095 ISU5462.1096 ISU5463.1100 ISU5464.1101 | | A/O ONLY. 1629 = DRIVER SIDE ONLY, SUSPENSION SEAT NOT ALLOWED FOR 1630 = PASSENGER SIDE ONLY 5459 = SEATBELT FROM THE LEFT, HANDLE ON THE RIGHT 5460 = SEATBELT FROM THE RIGHT, NO HANDLE 5461 = SEATBELT FROM THE RIGHT, HANDLE ON THE LEFT 5462 = SEATBELT FROM THE LEFT, NO HANDLE 5463 = INCLUDES ISOFIX, SEATBELT FROM THE LEFT, NO HANDLE 5464 = INCLUDES ISOFIX, SEATBELT FROM THE RIGHT, NO HANDLE |
| ISUZU | I-BUS | 16 - CURRENT | (NPR, NPS, NQR) DRIVER & PASSENGER SEAT, WITH SUSPENSION SEAT ALLOWED FOR ON DRIVER SIDE | ISU1192.151 | | | A/O ONLY. DRIVER SUSPENSION SEAT ALLOWED FOR |
| ISUZU | I-BUS | 21 - CURRENT | (NPR, NPS, NQR) DRIVER & PASSENGER SEAT, WITHOUT SUSPENSION SEAT ALLOWED FOR ON DRIVER SIDE | ISU1082.310 | | | A/O ONLY. SUSPENSION SEAT NOT ALLOWED FOR |
| ISUZU | MU-X | 11/13 - 06/15 | (UCR, UCS) LS-M, LS-T, LS-U SUV | ISU1002.102C | ISU5047.987 | ISU9007.931 | RM1002 - G2B, GBB, GBR, STC, TRB, TRG, WEB. RM5047 - G2B, GBB, WEB. RM9007 - G2B. AOF AVAILABLE 1002 & 5047. CC04 - ANB & STC |
| ISUZU | MU-X | 07/15 - 06/21 | (UCR, UCS) LS-M, LS-T, LS-U, ONYX SUV | ISU1002.102C | ISU5054.987 | ISU9007.931 | RM1002 - G2B, GBB, GBR, STC, TRB, TRG, WEB. RM5054 - G2B, GBB. RM9007 - G2B. AOF AVAILABLE 1002. CC04 - ANB & STC |
| ISUZU | MU-X | 07/21 - CURRENT | (RJ, UCR, UCS) ALL BADGES SUV | ISU1224.159 | ISU5268.987 | ISU9037.931 | RM1224 - EMB, G2B, GBB, GBL, GBR, RCB, STB, STC, TRB, TRG, WEB. RM5268 - EMB, G2B, GBB, GBL, TRB, WEB. RM9037 - GBB. AOF AVAILABLE 1224 & 5268. CC13 - ANB |
| ISUZU | N SERIES | 94 - 10/07 | (NP, NQ) 300 - 500 WIDE CAB TRUCK | ISU1280.304 | | | STRETCH BACKING & FABRIC SKIRT PATTERN. FRONT CONVERTED FROM CG299 |
| ISUZU | N SERIES | 01/96 - 12/04 | (NK, NP, NQ) SINGLE & DUAL CAB TRUCK | CG049.303 | | | |
| ISUZU | N SERIES | 11/07 - 06/15 | (NN, NP, NQ) WIDE CAB 2 DR TRUCK | ISU1282.304 | | | RM1282 - CVC, RIB. A/O AVAILABLE. FRONT CONVERTED FROM CG302 |
| ISUZU | N SERIES | 11/07 - CURRENT | (NL, NMR) NARROW CREW CAB TRUCK | ISU1283.213 | | CG303.956 | RM1283 - CVC, RIB. DRIVER SEAT DOES NOT HAVE SUSPENSION. A/O AVAILABLE. FRONT CONVERTED FROM CG303 |
| ISUZU | N SERIES | 11/07 - CURRENT | (NN, NP, NQ) WIDE CREW CAB TRUCK | ISU1282.304 | | ISU5243.956 | RM1282 - CVC, RIB. RM5243 - CVC. A/O AVAILABLE. FRONT CONVERTED FROM CG302. REAR CONVERTED FROM CG380 |
| ISUZU | N SERIES | 11/07 - CURRENT | (NPS) WIDE CREW CAB FIRE TRUCK - CAT 7 | ISU1082.310 | | ISU5366.956 | AOF ONLY. MODIFIED SEATS FOR FIRE TRUCKS. |
| ISUZU | N SERIES | 07/15 - CURRENT | (NN, NP, NQ) WIDE CAB 2 DR TRUCK | ISU1288.304 | | | RM1288 - CVC. SUSPENSION SEAT NOT ALLOWED FOR. A/O AVAILABLE. FRONT CONVERTED FROM CG472. |
| ISUZU | N SERIES | 07/15 - CURRENT | (NN, NP, NQ) WIDE CAB 2 DR TRUCK | ISU1290.304S | | | RM1290 - CVC, RIB. SUSPENSION SEAT ALLOWED FOR. A/O AVAILABLE. FRONT CONVERTED FROM CG474. |

| MAKE | MODEL | YEAR | SERIES & SUB MODEL | Front Pattern Number | Middle Pattern Number | Rear Pattern Number | Notes |
|-------|----------|-----------------|--|----------------------|-----------------------|---------------------|--|
| ISUZU | N SERIES | 07/15 - CURRENT | (NN, NP, NQ) WIDE CAB 2 DR TRUCK, DRIVER SEAT ONLY | ISU1204.155 | | | RM - CVC. DRIVER SEAT ONLY - SUSPENSION SEAT NOT ALLOWED FOR. A/O AVAILABLE |
| ISUZU | N SERIES | 07/15 - CURRENT | (NN, NP, NQ) WIDE CAB 2 DR TRUCK, DRIVER SEAT ONLY | ISU1203.154 | | | RM - CVC. DRIVER SEAT ONLY - SUSPENSION SEAT ALLOWED FOR. A/O ONLY. |
| ISUZU | N SERIES | 06/20 - CURRENT | (NMR) MY22 NARROW CAB TRUCK | ISU1308.192 | | | RM - CVC. DRIVER SUSPENSION SEAT NOT ALLOWED FOR. A/O AVAILABLE. |
| ISUZU | N SERIES | 06/20 - CURRENT | (NMR) MY22 NARROW CAB TRUCK | ISU1307.169 | | | RM1307 - CVC. A/O AVAILABLE. SUSPENSION SEAT ALLOWED FOR. |
| ISUZU | N SERIES | 05/25 - CURRENT | NLR, NMR, NMS NARROW SINGLE CAB TRUCK | ISU1632.416 | | | STRETCH BACKING & FABRIC SKIRT PATTERN. AOF AVAILABLE. DRIVERS BUCKET SEAT WITH MECHANICAL SUSPENSION & WEIGHT ADJUSTMENT. PASSENGER BENCH SEAT WITH FOLDING CENTRE BACKREST |
| ISUZU | N SERIES | 05/25 - CURRENT | NKR NARROW SINGLE CAB TRUCK | ISU1662.417 | | | STRETCH BACKING & FABRIC SKIRT PATTERN. AOF AVAILABLE. DRIVERS BUCKET SEAT WITH ARMREST (NON SUSPENSION). PASSENGER BENCH SEAT WITH FOLDING CENTRE BACKREST |
| ISUZU | N SERIES | 05/25 - CURRENT | NMS NARROW CREW CAB TRUCK | ISU1662.417 | | NPR | STRETCH BACKING & FABRIC SKIRT PATTERN. AOF AVAILABLE. DRIVERS BUCKET SEAT WITH ARMREST (NON SUSPENSION). PASSENGER BENCH SEAT WITH FOLDING CENTRE BACKREST. 3 PAX REAR |
| ISUZU | N SERIES | 05/25 - CURRENT | NNR, NPR, NPS, NQR, NQS WIDE SINGLE CAB TRUCK | ISU1606.416 | | | STRETCH BACKING & FABRIC SKIRT PATTERN. AOF AVAILABLE. DRIVERS BUCKET SEAT WITH MECHANICAL SUSPENSION & WEIGHT ADJUSTMENT. PASSENGER BENCH SEAT WITH FOLDING CENTRE BACKREST |
| ISUZU | N SERIES | 05/25 - CURRENT | NNR, NPR, NPS, NQR, NQS WIDE CREW CAB TRUCK | ISU1663.417 | | ISU5481.531 | STRETCH BACKING & FABRIC SKIRT PATTERN. AOF AVAILABLE. DRIVERS BUCKET SEAT WITH ARMREST (NON SUSPENSION). PASSENGER BENCH SEAT WITH FOLDING CENTRE BACKREST. REAR 4 PAX |

| MAKE | MODEL | YEAR | SERIES & SUB MODEL | Front Pattern Number | Middle Pattern Number | Rear Pattern Number | Notes |
|-------|-------|-----------------|---|----------------------|-----------------------|---------------------|---|
| IVECO | DAILY | 06/12 - 05/15 | 3DR VAN | IV003.101F | | | |
| IVECO | DAILY | 05/15 - CURRENT | 3 SEAT VAN | IVE1209.139 | | | |
| IVECO | DAILY | 05/15 - CURRENT | 3 SEAT VAN, SINGLE CAB | IVE1498.135 | | | A/O AVAILABLE |
| IVECO | DAILY | 05/15 - CURRENT | (35S13 & 70C18) 3 SEAT VAN | IVE1321.171 | | | A/O AVAILABLE |
| IVECO | DAILY | 05/15 - CURRENT | 2 SEAT VAN, SINGLE CAB | IV002.134 | | | |
| IVECO | DAILY | 05/15 - CURRENT | (50C18, 50C21, 70C18, 70C21, 70S18) ALL BADGES REAR QUAD SEAT DUAL CAB | VARIOUS | | IVE5421.1162 | |
| IVECO | DAILY | 01/16 - 01/21 | (35S17) 3 SEAT VAN | IVE1373.186 | | | |
| IVECO | DAILY | 01/21 - CURRENT | (35S14V) WB3000, WB3520, WB4100 VAN | IVE1373.186 | | | |
| IVECO | DAILY | 01/21 - CURRENT | 35S14V, 35S18V, 45C18 & 50C18V VAN | IVE1452.223 | | | A/O AVAILABLE |
| IVECO | S-WAY | 01/23 - CURRENT | S-WAY TRUCK | IVE1470.162 | | | A/O ONLY. ISRI 6860/870 NTS2 DRIVER & PASSENGER WITH INTEGRATED SEAT BELT. |
| IVECO | S-WAY | 01/23 - CURRENT | S-WAY TRUCK | IVE1594.248 | | | AOF ONLY. ISRI 6860/870 NTS2 DRIVER & PASSENGER WITH INTEGRATED SEAT BELT & ARMRESTS. ARMRESTS NOT COVERED. |

| MAKE | MODEL | YEAR | SERIES & SUB MODEL | Front Pattern Number | Middle Pattern Number | Rear Pattern Number | Notes |
|------|-------------------|--------------|--|----------------------|-----------------------|---------------------|---|
| JCB | BACKHOE | 21 - CURRENT | 1CX, 1CXT MINI BACKHOE LOADER | JCB1469.230 | | | AOF ONLY. SINGLE SEAT. WITHOUT HEADREST |
| JCB | BACKHOE | 22 - CURRENT | 1CXT, 2CX, 3CX, 4CX, 4CX ECO, 5CX, 5CX ECO BACKHOE | JCB1393.195 | | | AOF ONLY. SINGLE SEAT. ONE PIECE PATTERN INCLUDING HEADREST COVER |
| JCB | BACKHOE | 22 - CURRENT | 3CX-ECO BACKHOE | JCB1480.229 | | | AOF ONLY. SINGLE SEAT |
| JCB | BACKHOE | 24 - CURRENT | 3CX PLUS, 5CX PRO BACKHOE | JCB1539.237 | | | AOF ONLY. SINGLE SEAT |
| JCB | EXCAVATOR | 18 - CURRENT | 18Z-1 EXCAVATOR | JCB1468.179 | | | AOF ONLY. SINGLE SEAT |
| JCB | EXCAVATOR | 22 - CURRENT | 35Z EXCAVATOR | JCB1464.174 | | | AOF ONLY. SINGLE SEAT |
| JCB | MINI EXCAVATOR | 22 - CURRENT | 50Z, 86C MINI EXCAVATOR WITH HEADREST | JCB1488.187 | | | AOF ONLY. SINGLE SEAT |
| JCB | MINI EXCAVATOR | 22 - CURRENT | 35Z, 50Z, 55Z, 60C MINI EXCAVATOR WITHOUT HEADREST | JCB1489.174 | | | AOF ONLY. SINGLE SEAT |
| JCB | ROLLER | 22 - CURRENT | CT260 ROLLER | JCB1463.179 | | | AOF ONLY. SINGLE SEAT |
| JCB | SF383 LOADALL | 22 - CURRENT | LOADALL, 531-70, 533-105, 535-95, 540-170, 560-80 & 411HT | JCB1369.184 | | | AOF ONLY. SINGLE SEAT |
| JCB | SF993 LOADALL | 22 - CURRENT | AGRI-PRO TELEHANDLER LOADALL WITH HEAT SWITCH - 532-70, 542-70 | JCB1370.185 | | | AOF ONLY. SINGLE SEAT |
| JCB | SITE DUMPER | 22 - CURRENT | 6T, 9T-3 SITE DUMPER WITH TOOLBOX ALLOWANCE | JCB1487.179 | | | AOF ONLY. SINGLE SEAT |
| JCB | SKID STEER | 22 - CURRENT | 215, 270, 300, 3TS SKID STEER LOADER | JCB1467.174 | | | AOF ONLY. SINGLE SEAT |
| JCB | SKID STEER | 22 - CURRENT | 155 & 205 SKID STEER LOADER | JCB1466.179 | | | AOF ONLY. SINGLE SEAT |
| JCB | TELEHANDLER | 22 - CURRENT | TM320S TELEHANDLER | JCB1493.231 | | | AOF ONLY. SINGLE SEAT |
| JCB | TELEHANDLER | 22 - CURRENT | 555-210R ROTATING TELEHANDLER | JCB1549.184 | | | AOF ONLY. SINGLE SEAT |
| JCB | TRACKED EXCAVATOR | 14 - 20 | JZ140 TRACKED EXCAVATOR | JCB1491.152 | | | AOF ONLY. SINGLE SEAT |
| JCB | TRACKED EXCAVATOR | 21 - CURRENT | JS220X, JS245XR TRACKED EXCAVATOR | JCB1492.232 | | | AOF ONLY. SINGLE SEAT |
| JCB | WHEEL LOADER | 22 - CURRENT | 409 HT WHEEL LOADER | JCB1514.233 | | | AOF ONLY. SINGLE SEAT |
| JCB | WHEELED EXCAVATOR | 22 - CURRENT | 110 POTHOLE PRO WHEELED EXCAVATOR | JCB1490.187 | | | AOF ONLY. SINGLE SEAT |



| MAKE | MODEL | YEAR | SERIES & SUB MODEL | Front Pattern Number | Middle Pattern Number | Rear Pattern Number | Notes |
|------|----------------|-----------------|--|----------------------|-----------------------|---------------------|--|
| JEEP | CHEROKEE | 93 - 08/01 | (XJ) SPORT, CLASSIC SUV | CN020.102 | | CN020.704 | |
| JEEP | CHEROKEE | 93 - 08/01 | (XJ) LIMITED SUV | CN021.102 | | CN020.704 | |
| JEEP | CHEROKEE | 09/01 - 02 | (KJ) SPORT SUV | CN026.102C | | CN020.704 | |
| JEEP | CHEROKEE | 09/01 - 12/04 | (KJ) LIMITED SUV | CN025.102C | | CN028.946 | |
| JEEP | CHEROKEE | 02 - 12/04 | (KJ) SPORT SUV | CN026.102C | | CN027.905 | |
| JEEP | CHEROKEE | 01/03 - 06 | (KJ) RENEGADE SUV | CN030.102C | | CN030.969 | |
| JEEP | CHEROKEE | 05 - 06 | (KJ) RENEGADE 65TH ANNIVERSARY SUV | CN029.110 | | CN047.702 | PLASTIC LEVER ON FRONT SEATS FOR REAR ACCESS |
| JEEP | CHEROKEE | 01/05 - 02/08 | (KJ) LIMITED SUV | CN030.102C | | CN030.969 | |
| JEEP | CHEROKEE | 01/05 - 02/08 | (KJ) SPORT SUV | CN033.102C | | CN033.946 | |
| JEEP | CHEROKEE | 06 - 02/08 | (KJ) RENEGADE, RENEGADE EXTREME SPORT SUV | CN039.102C | | CN039.969 | |
| JEEP | CHEROKEE | 03/08 - 04/13 | (KK) SPORT SUV | CN041.102C | | CN041.991 | |
| JEEP | CHEROKEE | 03/08 - 04/13 | (KK) LIMITED SUV | CN044.102C | | CN041.991 | |
| JEEP | CHEROKEE | 06/14 - 02/22 | (KL) ALL BADGES (EXCLUDING NIGHT EAGLE) SUV | CN058.102C | | CN058.1007 | |
| JEEP | COMPASS | 03/07 - 03/10 | (MK) SPORT, LIMITED SUV | CN052.102A | | CN052.1012 | |
| JEEP | COMPASS | 01/12 - 01/17 | (MK) BLACKHAWK, LIMITED, NORTH, SPORT SUV | NPR | | CN052.1012 | |
| JEEP | COMPASS | 12/17 - CURRENT | (M6) LIMITED, S-LIMITED SUV | JEE1091.102C | | JEE5089.1080 | FRONT PASSENGER - NO ALLOWANCE FOR BASE STORAGE LIFT |
| JEEP | COMPASS | 12/17 - CURRENT | (M6) LONGITUDE, SPORT, TRAILHAWK SUV | JEE1091.102C | | JEE5199.1104 | |
| JEEP | GRAND CHEROKEE | 03/96 - 07/99 | (ZG) LAREDO LIMITED SUV | CN022.102 | | CN022.1019 | |
| JEEP | GRAND CHEROKEE | 11/00 - 05/05 | (WG, WJ) LIMITED SUV | CN025.102C | | CN025.911 | |
| JEEP | GRAND CHEROKEE | 03/03 - 05/05 | (WG) LAREDO SUV | CN032.102C | | CN028.946 | |
| JEEP | GRAND CHEROKEE | 06/05 - 01/11 | (WH) LAREDO SUV | CN034.102C | | CN034.896 | |
| JEEP | GRAND CHEROKEE | 06/05 - 01/11 | (WH) LIMITED SUV | CN040.102C | | CN040.924 | REAR ARMREST NOT COVERED |
| JEEP | GRAND CHEROKEE | 08/06 - 01/11 | (WH) SRT 8 SUV | | | CN040.924 | REAR ARMREST NOT COVERED |
| JEEP | GRAND CHEROKEE | 02/11 - 12/21 | (WK) LAREDO, LIMITED, OVERLAND SUV | JEE1072.111 | | JEE5068.1022 | RM1072- G2B, EMB, WEB. RM5068 - G2B, WEB |
| JEEP | GRAND CHEROKEE | 10/12 - 12/21 | (WK) SRT, SRT 8, TRACKHAWK, TRAILHAWK SUV | CN057.121 | | JEE5068.1022 | RM5068 - G2B, WEB |
| JEEP | PATRIOT | 08/07 - 02/09 | (MK) LIMITED, SPORT SUV | CN052.102A | | CN052.1012 | |
| JEEP | PATRIOT | 10/09 - 01/12 | (MK) SPORT SUV | CN054.102C | | CN054.944 | |
| JEEP | PATRIOT | 02/12 - 12/17 | (MK) ALL BADGES SUV | CN056.102C | | CN052.1012 | |
| JEEP | WRANGLER | 10/96 - 10/03 | (TJ) RENEGADE 2DR CONVERTIBLE | CN024.110 | | CN024.702 | MATERIAL PULL TAG ON FRONT SEATS FOR REAR ACCESS |
| JEEP | WRANGLER | 01 - 02/07 | (TJ) SPORT 2DR CONVERTIBLE | CN029.110 | | CN029.702 | PLASTIC LEVER ON FRONT SEATS FOR REAR ACCESS |
| JEEP | WRANGLER | 01 - 02/07 | (TJ) RENEGADE, SPORT 2DR CONVERTIBLE | JEE1199.110 | | CN029.702 | MATERIAL PULL TAG ON FRONT SEATS FOR REAR ACCESS |
| JEEP | WRANGLER | 03/07 - 09/09 | (JK) SPORT, RENEGADE 2DR CONVERTIBLE | CN048.101C | | CN048.704 | |
| JEEP | WRANGLER | 03/07 - 01/12 | (JK) UNLIMITED RENEGADE, UNLIMITED SPORT 4DR CONVERTIBLE | CN048.101C | | CN049.969 | |
| JEEP | WRANGLER | 02/12 - 04/18 | (JK) ALL BADGES 2DR CONVERTIBLE | JEE1327.102C | | JEE5125.704 | RM1327 - GBB |
| JEEP | WRANGLER | 02/12 - 04/18 | (JK) ALL BADGES 4DR CONVERTIBLE | JEE1327.102C | | CN050.969 | RM1327 - GBB |
| JEEP | WRANGLER | 04/18 - CURRENT | (JL) UNLIMITED NIGHT EAGLE, UNLIMITED SPORT S, UNLIMITED WILLY S 4DR CONVERTIBLE | JEE1156.111 | | JEE5138.932 | |
| JEEP | WRANGLER | 04/18 - CURRENT | (JL) UNLIMITED OVERLAND, UNLIMITED RUBICON 4D CONVERTIBLE | JEE1156.111 | | JEE5322.1143 | CUP HOLDERS BEHIND REAR CENTRE HEADREST |
| JEEP | WRANGLER | 04/18 - CURRENT | (JL) ALL BADGES 2DR CONVERTIBLE | JEE1202.102C | | JEE5195.704 | |

| MAKE | MODEL | YEAR | SERIES & SUB MODEL | Front Pattern Number | Middle Pattern Number | Rear Pattern Number | Notes |
|---------|-------|-----------------|---------------------------------------|----------------------|-----------------------------|---------------------|---|
| JOYLONG | E6 | 01/22 - CURRENT | ELECTRIC MINIBUS 12 & 14 SEAT, 5 ROWS | JOY1439.102C | JOY5348.708 JOY5349.1009 | JOY9047.1153 | ROW 2 = 5348, ROW 3 & 4 = 5349, ROW 5 = 9047. AOF AVAILABLE |

| MAKE | MODEL | YEAR | SERIES & SUB MODEL | Front Pattern Number | Middle Pattern Number | Rear Pattern Number | Notes |
|------|--------|------|--|----------------------|-----------------------|---------------------|--|
| KAB | N/A | N/A | KAB SEAT WITH HEADREST. SUITS KOBELCO CAB - SK200, SK250, SK380XDLC, SK500XDLC EXCAVATORS | KAB1587.180 | | | AOF ONLY. SINGLE SEAT WITH HEADREST. KAB SEAT (MODEL TBC). |
| KAB | KAB155 | N/A | KAB155 WITHOUT HEADREST. SUITS CATERPILLAR, JCB, KOMATSU, MAGNI MACHINERY | KAB1571.179 | | | AOF ONLY. SINGLE SEAT |
| KAB | KAB211 | N/A | KAB211 WITHOUT HEADREST, BACKREST & BASE ARE JOINED / ONE PIECE. SUITS KOBELCO CAB SK45SRX EXCAVATOR | KAB1588.179 | | | AOF ONLY. SINGLE SEAT |
| KAB | KAB555 | N/A | KAB555 WITHOUT HEADREST. SUITS CATERPILLAR, JCB, KOMATSU, MAGNI MACHINERY | KAB1571.179 | | | AOF ONLY. SINGLE SEAT |
| KAB | KAB564 | N/A | KAB564 HIGH BACK AIR SUSPENSION SEAT WITH HEADREST. SUITS CATERPILLAR, HITACHI, HYUNDAI, KOBELCO, KOMATSU, LIEBHERR, TEREX, VOLVO MACHINERY. | KAB1574.187 | | | AOF ONLY. ARMRESTS NOT ALLOWED FOR |

| MAKE | MODEL | YEAR | SERIES & SUB MODEL | Front Pattern Number | Middle Pattern Number | Rear Pattern Number | Notes |
|------|----------------|-----------------|--|----------------------|-----------------------|---------------------|--|
| KIA | CARENS | 07/00 - 12/01 | HATCH, WAGON | CI005.101C | CI005.520 | KIA9120.704 | |
| KIA | CARNIVAL | 09/99 - 01 | (KV11) WAGON | CI003.107B | CI003.109 | KIA9121.704 | |
| KIA | CARNIVAL | 01 - 02/07 | (KV11) WAGON | CI006.107C | CI006.109C | KIA9122.865 | |
| KIA | CARNIVAL | 08/06 - 03/09 | (VQ) EX WAGON | CI028.107C | CI030.990 | KIA9123.865 | |
| KIA | CARNIVAL | 04/09 - 04/11 | (VQ) EXE, EX LUXURY, S WAGON | CI028.107C | CI030.990 | | |
| KIA | CARNIVAL | 02/15 - 09/20 | (YP) S, SI, SL-I WAGON | KIA1073.102C | KIA5069.1063 | KIA9024.991 | RM1073 & RM5069 - G2B, EMB, WEB. RM9024 - EMB, G2B |
| KIA | CARNIVAL | 09/20 - 02/24 | (KA4) EX (NZ) SI, SL-I WAGON | KIA1272.102C | KIA5238.1063 | KIA9033.991 | RM - EMB, GBB. |
| KIA | CARNIVAL | 09/20 - 02/24 | (KA4) PLATINUM WAGON | KIA1445.102C | KIA5238.1063 | KIA9049.991 | RM5238 - EMB, GBB. |
| KIA | CARNIVAL | 09/20 - CURRENT | (KA4, KA4 PE) S WAGON | KIA1272.102C | KIA5238.1063 | KIA9033.991 | RM - EMB, GBB. |
| KIA | CARNIVAL | 02/24 - CURRENT | (KA4 PE) GT-LINE, GT-LINE LITE, SPORT+ WAGON | KIA1445.102C | KIA5238.1063 | KIA9049.991 | RM5238 - EMB, GBB. |
| KIA | CERATO | 07/04 - 01/09 | (LD) ES HATCH | CI023.102C | | CI023.891 | REAR ARMREST NOT COVERED |
| KIA | CERATO | 07/04 - 01/09 | (LD) EX SEDAN | CI023.102C | | CI024.952 | REAR ARMREST NOT COVERED |
| KIA | CERATO | 01/09 - 03/13 | (TD) S, SI, SLI SEDAN | CI043.102C | | CI043.893 | |
| KIA | CERATO | 09/09 - 07/13 | (TD) S, SI, SIR, SLI HATCH | CI046.102C | | CI046.942 | |
| KIA | CERATO | 09/09 - 07/13 | (TD) KOUP SI, KOUP SLS COUPE | CI064.102C | | CI064.1010 | |
| KIA | CERATO | 04/13 - 06/18 | (YD) EX SEDAN | CI043.102C | | CI043.893 | PFM |
| KIA | CERATO | 04/13 - 06/18 | (YD) S, SI, SLI, SPORT SEDAN | KIA1015.102C | | CI065.1032 | RM1015 - G2B, WEB. PFM |
| KIA | CERATO | 08/13 - 06/18 | (YD) S, SI, SLI, SPORT HATCH | KIA1015.102C | | KIA5015.1032 | RM1015 - G2B, WEB. RM5015 - G2B. PFM |
| KIA | CERATO | 10/13 - 01/17 | (YD) KOUP TURBO, KOUP SI COUPE | | | CI065.1032 | |
| KIA | CERATO | 06/18 - CURRENT | (BD) GT, S, SPORT, SPORT+ SEDAN | KIA1084.102 | | KIA5081.1032 | RM1084 - GBB, WEB. PFM |
| KIA | CERATO | 06/18 - CURRENT | (BD) GT, S, SPORT HATCH | KIA1084.102 | | KIA5086.1032 | RM1084 - GBB, WEB. PFM |
| KIA | CERES | 02/97 - 05/00 | (KW52) ALL BADGES UTE | CI002.302 | | | |
| KIA | EV3 | 04/24 - CURRENT | (SV) ALL BADGES SUV | KIA1617.102C | | KIA5439.965 | |
| KIA | EV5 | 04/24 - CURRENT | (OV) AIR LR, AIR SR, EARTH LR SUV | KIA1578.243 | | KIA5413.965 | |
| KIA | EV5 | 04/24 - CURRENT | (OV) GT-LINE LR SUV | NPR | | KIA5413.965 | |
| KIA | GRAND CARNIVAL | 01/06 - 5/10 | (VQ) EX, EXE, EX-L, PLATINUM, PREMIUM PEOPLE MOVER | CI028.107C | CI030.990 | KIA9124.991 | |
| KIA | GRAND CARNIVAL | 06/10 - 2014 | (VQ) S, SI, SLI, PLATINUM PEOPLE MOVER | CI031.107C | CI030.990 | KIA9124.991 | |
| KIA | K4 | 08/25 - CURRENT | (CL4) ALL BADGES HATCH | KIA1641.102C | | KIA5471.949 | |
| KIA | K2700 | 10/02 - 01/05 | (TU) SINGLE CAB | CI008.303 | | | |
| KIA | K2900 | 04/08 - 01/13 | (PU3) SINGLE CAB | CI008.303 | | | |
| KIA | MAGENTIS | 08/06 - 03/10 | (MG) EX SEDAN | CI048.102C | | CI048.952 | |
| KIA | MENTOR | 96 - 01 | GLX, SLX SEDAN | | | CI012.809 | |
| KIA | MENTOR | 12/96 - 05/98 | SLX HATCH | CI010.110 | | CI010.831 | |
| KIA | MENTOR | 12/96 - 05/98 | GLX HATCH | | | CI011.807 | |
| KIA | MENTOR | 05/98 - 99 | SLX HATCH | CI013.102 | | CI013.802 | |
| KIA | MENTOR | 99 - 06/00 | SLX HATCH | CI013.102 | | CI012.809 | |
| KIA | NIRO | 04/22 - CURRENT | (SG2) ALL BADGES WAGON | KIA1363.105 | | KIA5314.965 | |
| KIA | OPTIMA | 05/01 - 07/06 | (GD) SEDAN | CI018.102 | | CI018.952 | |
| KIA | OPTIMA | 11/15 - 10/20 | (JF) SI SEDAN | KIA1132.102C | | KIA5129.952 | |
| KIA | PICANTO | 05/17 - 09/23 | (JA) GT, GT-LINE, S HATCH | KIA1090.102C | | KIA5088.1015 | RM1090 - GBB |
| KIA | PICANTO | 09/23 - CURRENT | (JA PE2) GT-LINE, SPORT HATCH | KIA1090.102C | | KIA5088.1015 | RM1090 - GBB |
| KIA | PREGIO | 08/02 - 04/06 | (CT, 3VRS) VAN | CI009.303 | | | |
| KIA | RIO | 07/00 - 07/05 | (BC) LS SEDAN | CI007.102 | | CI017.802 | |
| KIA | RIO | 07/00 - 02 | (BC) LS HATCH | CI015.102 | | CI015.909 | |
| KIA | RIO | 02 - 03 | (BC) LS HATCH | CI015.102 | | CI020.909 | |
| KIA | RIO | 03 - 07/05 | (BC) LS HATCH | CI007.102 | | CI007.711 | |
| KIA | RIO | 08/05 - 11/09 | (JB) EX SEDAN | CI021.107C | | CI021.887 | |
| KIA | RIO | 08/05 - 11/09 | (JB) EX HATCH | CI027.107C | | CI027.981 | |
| KIA | RIO | 03/07 - 08 | (JB) LX HATCH | CI021.107C | | CI027.981 | |
| KIA | RIO | 08 - 11/09 | (JB) LX HATCH | CI036.101C | | CI036.1010 | |
| KIA | RIO | 12/09 - 08/11 | (JB) SI HATCH | CI037.107C | | CI036.1010 | |

| MAKE | MODEL | YEAR | SERIES & SUB MODEL | Front Pattern Number | Middle Pattern Number | Rear Pattern Number | Notes |
|------|----------|-----------------|---|----------------------|-----------------------|---------------------|---|
| KIA | RIO | 12/09 - 08/11 | (JB) SI SEDAN | CI037.107C | | CI021.887 | |
| KIA | RIO | 12/09 - 08/11 | (JB) S, SPORTS HATCH | CI041.101D | | CI036.1010 | |
| KIA | RIO | 09/11 - 14 | (UB) SI HATCH | CI058.102C | | CI058.1015 | |
| KIA | RIO | 09/11 - 01/17 | (UB) S HATCH | CI058.102C | | CI058.1015 | |
| KIA | RIO | 02/12 - 06/13 | (UB) SI SEDAN | CI058.102C | | CI060.1015 | |
| KIA | RIO | 02/12 - 01/17 | (UB) S, SLS 2DR HATCH | CI059.102C | | CI058.1015 | |
| KIA | RIO | 14 - 09/18 | (UB, YB) SI HATCH | CI058.102C | | CI061.1015 | |
| KIA | RIO | 01/17 - CURRENT | (YB) GT-LINE, S, SLI, SPORT 4DR HATCH | KIA1326.102C | | KIA5317.1015 | RM1326 - GBB. RM5317 - GBB. |
| KIA | RONDO | 04/08 - 09/10 | (UN) EX, LX WAGON | CI039.102C | CI039.991 | KIA9125.709 | |
| KIA | RONDO | 06/13 - 10/20 | (RP) SI WAGON | CI070.102C | CI070.990 | KIA9126.931 | |
| KIA | RONDO7 | 10/10 - 05/13 | (UN) SI WAGON | CI039.102C | CI039.991 | KIA9125.709 | |
| KIA | SELTOS | 10/19 - CURRENT | (SP2) GT-LINE, SPORT+ SUV | KIA1163.102C | | KIA5156.1024 | RM1163 - G2B, GBB. RM5156 - GBB. |
| KIA | SELTOS | 10/19 - CURRENT | (SP2) S, SPORT SUV | KIA1163.102C | | KIA5157.1098 | RM1163 - G2B, GBB. RM5157 - GBB. |
| KIA | SHUMA | 01/00 - 04/01 | ALL BADGES HATCH | CI016.102 | | CI012.809 | |
| KIA | SORENTO | 02/03 - 09/09 | (BL) EX SUV | CI025.102C | | CI025.942 | |
| KIA | SORENTO | 02/03 - 09/09 | (BL) LX SUV | CI051.102C | | CI051.942 | |
| KIA | SORENTO | 10/09 - 05/15 | (XM) SLI SUV | CI052.102C | CI052.972 | | |
| KIA | SORENTO | 06/15 - 07/17 | (UM) PLATINUM, SI, SLI SUV | CI067.102C | CI067.1006 | KIA9127.931 | CI067.931 |
| KIA | SORENTO | 08/17 - 06/20 | (UM) SI, SLI, SPORT SUV | KIA1101.102C | CI067.1006 | KIA9127.931 | CI067.931 |
| KIA | SORENTO | 07/20 - CURRENT | (MQ4) HEV LIGHT (NZ) S, SPORT SUV | KIA1236.102C | KIA5215.1120 | KIA9029.931 | RM1236 - GBB. RM5215 - EMB, G2B, GBB |
| KIA | SORENTO | 07/20 - CURRENT | (MQ4) SPORT + SUV | KIA1325.102C | KIA5215.1120 | KIA9029.931 | RM5215 - EMB, G2B, GBB |
| KIA | SORENTO | 07/20 - CURRENT | (MQ4) GT-LINE SUV | KIA1292.102C | KIA5215.1120 | KIA9029.931 | RM5215 - EMB, G2B, GBB |
| KIA | SOUL | 04/09 - 01/14 | (AM) ALL BADGES HATCH | CI044.102C | | CI044.1015 | |
| KIA | SOUL | 02/14 - 10/20 | (PS) SI HATCH | CI072.102C | | CI072.995 | |
| KIA | SPECTRA | 05/01 - 06/04 | (FB) LS HATCH | CI019.102C | | CI019.894 | |
| KIA | SPORTAGE | 12/96 - 08/99 | (JA) ALL BADGES SUV | CI001.102C | | CI001.707 | |
| KIA | SPORTAGE | 08/99 - 06/04 | (JA) ALL BADGES SUV | CI004.101C | | CI004.919 | |
| KIA | SPORTAGE | 04/05 - 08 | (KM) LX SUV | CI026.102C | | CI026.972 | REAR ARMREST NOT COVERED |
| KIA | SPORTAGE | 08 - 07/10 | (KM) LX SUV | CI032.102C | | CI026.972 | REAR ARMREST NOT COVERED |
| KIA | SPORTAGE | 05/10 - 05/13 | (SL) SERIES 1 PLATINUM, SI, SLI SUV | CI033.102C | | CI033.965 | REAR ARMREST NOT COVERED |
| KIA | SPORTAGE | 06/13 - 15 | (SL) SERIES 2 PLATINUM, SI, SI PREMIUM, SLI SUV | KIA1085.102C | | KIA5083.1032 | NON REMOVABLE HEADRESTS |
| KIA | SPORTAGE | 01/16 - 09/21 | (QL) ALL BADGES SUV | KIA1074.102C | | KIA5070.1032 | RM - G2B, EMB, WEB |
| KIA | SPORTAGE | 09/21 - CURRENT | (NQ) S, SX & SX HEV SUV | KIA1332.102C | | KIA5276.965 | RM1332 - EMB, GBB, WEB. RM5276 - EMB, GBB |
| KIA | SPORTAGE | 09/21 - CURRENT | (NQ) GT-LINE, GT-LINE HEV & SX+ SUV | KIA1331.102C | | KIA5276.965 | RM1331 - GBB. RM5276 - EMB, GBB |
| KIA | STINGER | 07/17 - 04/23 | (CK) GT, GT LINE, 200S, 200Si LIFTBACK | KIA1100.102C | | KIA5098.1013 | |
| KIA | STONIC | 10/20 - CURRENT | (YB) GT-LINE, S, SPORT WAGON | KIA1326.102C | | KIA5317.1015 | RM1326 - GBB. RM5317 - GBB. |
| KIA | TASMAN | 08/25 - CURRENT | (TK) S, SX, SX+ DUAL CAB | KIA1621.252 | | KIA5443.932 | AOF AVAILABLE |
| KIA | TASMAN | 08/25 - CURRENT | (TK) S, SX SINGLE CAB | KIA1621.252 | | | AOF AVAILABLE |
| KIA | TASMAN | 08/25 - CURRENT | (TK) TX, TXR SINGLE CAB - NEW ZEALAND MODELS ONLY | KIA1621.252 | | | AOF AVAILABLE |
| KIA | TASMAN | 08/25 - CURRENT | (TK) X-PRO DUAL CAB | KIA1622.252 | | KIA5444.942 | AOF AVAILABLE |
| KIA | TASMAN | 08/25 - CURRENT | (TK) X-LINE DUAL CAB | KIA1623.252 | | KIA5444.942 | AOF AVAILABLE |

| MAKE | MODEL | YEAR | SERIES & SUB MODEL | Front Pattern Number | Middle Pattern Number | Rear Pattern Number | Notes |
|-----------|---------------|--------------|---|----------------------|--|---|---|
| KING LONG | BUS - REGULAR | 22 - CURRENT | BUS / COACH SEATS VARY REFER TO PASSENGER SEAT IMAGES 39 PASSENGER + DRIVER (9.1MTR) 41 - 45 PASSENGER + DRIVER (10.1MTR) 53 - 57 PASSENGER + DRIVER (12.5MTR) 59 - 61 PASSENGER + DRIVER (13.1MTR) | KIN1602.246 | KIN5427.1101 KIN5428.1100 KIN5446.1093 KIN5447.1095 KIN5448.1096 KIN5449.1094 | AOF ONLY. 1602 = ISRI SINGLE DRIVER SEAT 5427 = INCLUDES ISOFIX, SEATBELT FROM THE RIGHT, NO HANDLE 5428 = INCLUDES ISOFIX, SEATBELT FROM THE LEFT, NO HANDLE 5446 = SEATBELT FROM THE LEFT, HANDLE ON THE RIGHT 5447 = SEATBELT FROM THE RIGHT, HANDLE ON THE LEFT 5448 = SEATBELT FROM THE LEFT, NO HANDLE 5449 = SEATBELT FROM THE RIGHT, NO HANDLE |  |
| KING LONG | BUS - DELUXE | 22 - CURRENT | BUS / COACH (FAINSA SEATING) SEATS VARY REFER TO PASSENGER SEAT IMAGES 39 PASSENGER + DRIVER (9.1MTR) 41 - 45 PASSENGER + DRIVER (10.1MTR) 53 - 57 PASSENGER + DRIVER (12.5MTR) 59 - 61 PASSENGER + DRIVER (13.1MTR) | KIN1602.246 | KIN5429.727 KIN5430.726 KIN5453.725 KIN5454.724 | AOF ONLY 1602 = ISRI SINGLE DRIVER SEAT 5429 = INCLUDES ISOFIX, SEATBELT FROM THE LEFT, USB, GRAB HANDLE 5430 = INCLUDES ISOFIX, SEATBELT FROM THE RIGHT, USB, GRAB HANDLE 5453 = SEATBELT FROM THE LEFT, USB, GRAB HANDLE 5454 = SEATBELT FROM THE RIGHT, USB, GRAB HANDLE |  |

| MAKE | MODEL | YEAR | SERIES & SUB MODEL | Front Pattern Number | Middle Pattern Number | Rear Pattern Number | Notes |
|---------|-----------|--------------|---|----------------------|-----------------------|---------------------|---|
| KOBELCO | EXCAVATOR | 22 - CURRENT | CAB MODELS - SK26SR, SK35SR, SK55SRX EXCAVATOR | KOB1585.316 | | | GRAMMER PRIMO XXM MSG65/522 SEAT. AOF ONLY. SINGLE SEAT WITH HEADREST |
| KOBELCO | EXCAVATOR | 22 - CURRENT | CANOPY MODELS - SK26SR, SK28SR, SK35SR, SK45SRX, SK55SRX EXCAVATOR | KOB1586.317 | | | GRAMMER PRIMO XXM MSG65/522 SEAT. AOF ONLY. SINGLE SEAT EXCLUDING HEADREST |
| KOBELCO | EXCAVATOR | 22 - CURRENT | CAB MODELS - SK200, SK250, SK380XDLC, SK500XDLC EXCAVATOR | KOB1587.180 | | | KAB SEAT (MODEL TBC). AOF ONLY. SINGLE SEAT WITH HEADREST. |
| KOBELCO | EXCAVATOR | 22 - CURRENT | CAB MODEL - SK45SRX EXCAVATOR | KOB1588.179 | | | KAB211 SEAT. AOF ONLY. SINGLE SEAT EXCLUDING HEADREST. BACKREST & BASE ARE JOINED (ONE PIECE) |
| KOBELCO | EXCAVATOR | 22 - CURRENT | CANOPY MODEL - SK17SR, SK17.6 WITH TOOLBOX | KOB1589.245 | | | AOF ONLY. SINGLE SEAT EXCLUDING HEADREST. SEAT MODEL TBC. |
| KOBELCO | EXCAVATOR | 10 - CURRENT | GRAMMER MAXIMO PROFESSIONAL WITH TOOLBOX CUTOUT | KOB1592.184 | | | AO ONLY. SINGLE SEAT WITH HEADREST. MACHINERY DETAILS TBC |
| KOBELCO | EXCAVATOR | 22 - CURRENT | CAB MODELS - SK75SR, SK85MSR, SK100MSR, SK135SR, SK140LC, SK225SR, SK235SR, SK500LC EXCAVATOR | KOB1554.315 | | | GRAMMER ACTIMO XXL MSG97G/722 SEAT. AOF ONLY. SINGLE SEAT WITH HEADREST |

| MAKE | MODEL | YEAR | SERIES & SUB MODEL | Front Pattern Number | Middle Pattern Number | Rear Pattern Number | Notes |
|--------|-----------|--------------|--|----------------------|-----------------------|---------------------|----------|
| KUBOTA | EXCAVATOR | 22 - CURRENT | KX033, KX040, KX057, U35, U48, U55 EXCAVATOR | KUB1653.174 | | | AOF ONLY |

| MAKE | MODEL | YEAR | SERIES & SUB MODEL | Front Pattern Number | Middle Pattern Number | Rear Pattern Number | Notes |
|------|--------|---------|--------------------|----------------------|-----------------------|---------------------|-------|
| LADA | NIVA | 88 - 95 | WAGON | CL001.101 | | CL001.702 | |
| LADA | SAMARA | 88 - 96 | DELUXE HATCH | CL005.101 | | CL005.702 | |

| MAKE | MODEL | YEAR | SERIES & SUB MODEL | Front Pattern Number | Middle Pattern Number | Rear Pattern Number | Notes |
|------------|-------------------|-----------------|---|----------------------|-----------------------|---------------------|--|
| LAND ROVER | 110 | 84 - 88 | (110) COUNTY SUV | CR038.102 | | CR038.501 | |
| LAND ROVER | DEFENDER | 92 - 03/02 | (90, 110, 130) DUAL CAB & SUV | CR041.101 | | CR041.501 | |
| LAND ROVER | DEFENDER | 03/92 - 03/02 | (90, 110, 130) 2 DOOR SINGLE CAB & SUV | CR042.305 | | | |
| LAND ROVER | DEFENDER | 04/02 - 09/07 | (110, 130) DUAL CAB & SUV | CR041.101 | | CR014.897 | |
| LAND ROVER | DEFENDER | 10/07 - 08/16 | (110) 4DR SUV | CR015.101C | | CR015.983 | |
| LAND ROVER | DEFENDER | 10/19 - 11/20 | (110) D240 NO BADGE 7 SEAT SUV | LAN1232.102C | LAN5213.1124 | N/A | NO USB ON FRONT ROW. 3RD ROW N/A |
| LAND ROVER | DEFENDER | 10/19 - 11/20 | (110) D240 NO BADGE 5 SEAT SUV | LAN1232.102C | | LAN5213.1124 | NO USB ON FRONT ROW |
| LAND ROVER | DEFENDER | 10/19 - CURRENT | (110) D240 ALL BADGES, P400 ALL BADGES 7 SEAT SUV | LAN1234.102C | LAN5290.1036 | N/A | USB ALLOWANCE FRONT ROW. 3RD ROW N/A |
| LAND ROVER | DEFENDER | 10/19 - CURRENT | (110) D240 ALL BADGES, P400 ALL BADGES 5 SEAT SUV | LAN1234.102C | | CR028.931 | USB ALLOWANCE FRONT ROW |
| LAND ROVER | DEFENDER | 10/19 - CURRENT | (110) P300 5 SEAT SUV | LAN1484.102C | | LAN5372.1124 | NO USB ON FRONT ROW. NO ARMREST 2ND ROW. |
| LAND ROVER | DEFENDER | 11/20 - CURRENT | (110) D300 X-DYNAMIC SE SUV | LAN1538.102C | | LAN5260.1119 | NO USB ON FRONT ROW |
| LAND ROVER | DEFENDER | 11/20 - 07/23 | (110) D300 SE 6 SEAT SUV | LAN1278.170 | | LAN5260.1119 | FRONT ROW MIDDLE SEAT / ARMREST NOT COVERED. USB ALLOWANCE FRONT ROW. |
| LAND ROVER | DEFENDER | 04/21 - 01/25 | (110) P525 6 SEAT SUV | LAN1278.170 | | LAN5260.1119 | FRONT ROW MIDDLE SEAT / ARMREST NOT COVERED. USB ALLOWANCE FRONT ROW. |
| LAND ROVER | DEFENDER | 07/23 - CURRENT | (110) P400 ALL BADGES SUV | LAN1551.102C | | | SUITS NON-REMOVEABLE FRONT HEADRESTS. NO USB ON FRONT ROW |
| LAND ROVER | DEFENDER | 07/24 - CURRENT | (110) D350 X DYNAMIC SUV | | | LAN5260.1119 | |
| LAND ROVER | DISCOVERY | 04/91 - 03/99 | (SERIES 1) 2DR OR 4DR SUV | CR039.114 | | CR039.860 | |
| LAND ROVER | DISCOVERY | 99 - 01/02 | (SERIES 2) ES TD5 SUV | CR020.114 | | CR044.901 | |
| LAND ROVER | DISCOVERY | 99 - 03/05 | (SERIES 2) 4DR SUV | CR020.114 | | CR020.876 | |
| LAND ROVER | DISCOVERY | 04/05 - 09/09 | (SERIES 3) S SUV | CR022.119 | | CR021.984 | |
| LAND ROVER | DISCOVERY | 04/05 - 09/09 | (SERIES 3) SE, HSE SUV | CR022.119 | LAN5237.959 | | |
| LAND ROVER | DISCOVERY | 04/05 - 09/09 | (SERIES 3) SE, HSE SUV | LAN1389.193 | LAN5237.959 | | FRONT HAS ARMRESTS |
| LAND ROVER | DISCOVERY | 09/09 - 07/17 | (SERIES 4) SE SUV | CR024.107C | LAN5237.959 | LAN9128.931 | |
| LAND ROVER | DISCOVERY | 09/09 - 11/12 | (SERIES 4) TDV6 SUV | CR023.102C | LAN5237.959 | | |
| LAND ROVER | DISCOVERY | 12/12 - 07/17 | (SERIES 4) TDV6 SUV | CR027.102C | | LAN5237.959 | |
| LAND ROVER | DISCOVERY | 12/16 - 10/18 | (SERIES 5) TD4, TD6 SUV | CR028.107C | LAN5290.1036 | LAN9129.931 | EXCLUDING LUXURY FRONT ROW |
| LAND ROVER | DISCOVERY | 12/16 - 12/20 | (SERIES 5) SD4 SUV | CR028.107C | LAN5290.1036 | LAN9129.931 | EXCLUDING LUXURY FRONT ROW |
| LAND ROVER | DISCOVERY | 11/18 - 12/20 | (SERIES 5) SD6 SUV | CR028.107C | LAN5290.1036 | LAN9129.931 | EXCLUDING LUXURY FRONT ROW |
| LAND ROVER | DISCOVERY | 07/23 - CURRENT | (SERIES 5) D300 MHEV - S, DYNAMIC HSE, DYNAMIC SE SUV | LAN1535.107C | | N/A | 2ND ROW N/A |
| LAND ROVER | DISCOVERY SPORT | 07/16 - 03/22 | (LC) 4DR SUV | CR045.102C | | CR045.1065 | |
| LAND ROVER | FREELANDER | 97 - 11/00 | (L314) DI, I, XE1, XED1 SUV | CR013.101B | | CR013.900 | |
| LAND ROVER | FREELANDER 2 | 06/07 - 09/15 | (L359) ALL BADGES SUV | CR017.107C | | CR017.1022 | |
| LAND ROVER | RANGE ROVER | 06/80 - 09/84 | ALL BADGES 2DR SUV | CR035.106 | | CR035.702 | |
| LAND ROVER | RANGE ROVER | 82 - 86 | ALL BADGES 4DR SUV | CR036.106 | | CR036.702 | |
| LAND ROVER | RANGE ROVER | 85 - 12/89 | ALL BADGES SUV | CR037.107 | | CR043.889 | |
| LAND ROVER | RANGE ROVER | 89 - 94 | ALL BADGES SUV | CR037.107 | | CR037.864 | |
| LAND ROVER | RANGE ROVER | 08/02 - 12/10 | VOGUE SUV | LAN1131.147 | | N/A | REAR NOT AVAILABLE |
| LAND ROVER | RANGE ROVER | 10/11 - 01/19 | (LV) L538 EVOQUE SUV | LAN1160.121C | | NPR | |
| LAND ROVER | RANGE ROVER | 11/17 - 11/21 | (LG) AUTOBIOGRAPHY ALL BADGES SUV | LAN1147.107C | | N/A | REAR NOT AVAILABLE |
| LAND ROVER | RANGE ROVER | 11/17 - 11/21 | (LG) AUTOBIOGRAPHY ALL BADGES SUV | LAN1148.107C | | N/A | MONITOR ALLOWANCE INCLUDED, REAR NOT AVAILABLE |
| LAND ROVER | RANGE ROVER | 11/17 - 11/21 | (LG) VOGUE ALL BADGES SUV | LAN1147.107C | | NPR | |
| LAND ROVER | RANGE ROVER | 11/17 - 11/21 | (LG) VOGUE ALL BADGES SUV | LAN1148.107C | | NPR | MONITOR ALLOWANCE INCLUDED |
| LAND ROVER | RANGE ROVER | 01/19 - CURRENT | (L551) EVOQUE - P200, P250, P300, P300e ALL BADGES SUV | LAN1543.121 | | LAN5394.1064 | |
| LAND ROVER | RANGE ROVER | 06/22 - CURRENT | (L461) P400SE & P460e HSE PHEV SUV | LAN1584.107C | | LAN5420.1161 | EXCLUDES FRONT DVD ALLOWANCE. FRONT ARMRESTS COVERED. REAR ARMREST NOT COVERED. BUTTONS ON OUTER REAR HEADRESTS. |
| LAND ROVER | RANGE ROVER SPORT | 06/22 - CURRENT | (L461) D250 DYNAMIC SE, D300 DYNAMIC SE, D350 DYNAMIC HSE, D350 FIRST EDITION, P400 MHEV DYNAMIC HSE, P460e PHEV DYNAMIC SE & HSE, P510e PHEV DYNAMIC HSE SUV | LAN1591.107C | | LAN5424.1059 | INCLUDES FRONT DVD ALLOWANCE. FRONT ARMRESTS COVERED. REAR ARMREST NOT COVERED. NO BUTTONS ON OUTER OF REAR HEADRESTS. |
| LAND ROVER | RANGE ROVER SPORT | 06/22 - CURRENT | (L461) D250 DYNAMIC SE, D300 DYNAMIC SE, D350 DYNAMIC HSE, D350 FIRST EDITION, P460e PHEV DYNAMIC SE & HSE, P510e PHEV DYNAMIC HSE SUV | LAN1584.107C | | LAN5420.1161 | EXCLUDES FRONT DVD ALLOWANCE. FRONT ARMRESTS COVERED. REAR ARMREST NOT COVERED. BUTTONS ON OUTER REAR HEADRESTS. |

| MAKE | MODEL | YEAR | SERIES & SUB MODEL | Front Pattern Number | Middle Pattern Number | Rear Pattern Number | Notes |
|------|------------|-----------------|-------------------------------------|----------------------|----------------------------|---------------------|--|
| LDV | D90 | 11/17 - 06/24 | (SV9A) EXECUTIVE SUV | LDV1240.102C | LDV5217.1022 | LDV9031.1110 | RM5217 - GBB |
| LDV | D90 | 07/24 - CURRENT | (SV9A, MY25 on) EXECUTIVE, MODE SUV | LDV1615.252 | LDV5217.1022 | LDV9031.1110 | RM5217 - GBB |
| LDV | DELIVER 7 | 10/24 - CURRENT | DELIVER 7 VAN | LDV1533.107C | | | |
| LDV | DELIVER 9 | 07/20 - CURRENT | (SV63) 2DR UTILITY & 4DR VAN | LDV1277.127 | | | RM - G2B, GBB, TRB, TRG, WEB |
| LDV | DELIVER 9 | 07/20 - CURRENT | (SV63) 2DR UTILITY & 4DR VAN | LDV1420.147 | | | |
| LDV | DELIVER 9 | 07/20 - CURRENT | (SV63) 11 SEAT MINIBUS | | | | ROW 1 (LDV1277.127 X QTY 1) RM1277 - G2B, GBB, TRB, TRG, WEB ROW 2 (LDV5345.1150 X QTY 1) ROW 3 (LDV5346.1151 X QTY 1) ROW 4 (LDV5346.1151 OR LDV9046.1152 X QTY1) |
| LDV | DELIVER 9 | 07/20 - CURRENT | (SV63) 12 SEAT MINIBUS | | | | ROW 1 (LDV1277.127 X QTY 1) RM1277 - G2B, GBB, TRB, TRG, WEB ROW 2 (LDV5345.1150 X QTY 1) ROW 3 & 4 (LDV5346.1151 X QTY 2) ROW 5 (LDV5346.1151 SINGLE SEAT ONLY X QTY1) |
| LDV | DELIVER 9 | 07/20 - CURRENT | (SV63) 14 SEAT MINIBUS | | | | ROW 1 (LDV1277.127 X QTY 1) RM1277 - G2B, GBB, TRB, TRG, WEB ROW 2 (LDV5345.1150 X QTY 1) ROW 3 & 4 (LDV5346.1151 X QTY 2) ROW 5 (LDV5346.1151 OR LDV9046.1152 X QTY1) |
| LDV | eDELIVER 7 | 08/23 - CURRENT | eDELIVER 7 VAN | LDV1521.127 | | | |
| LDV | eT60 | 08/22 - CURRENT | (SK8C) eT60 DUAL CAB | LDV1055.102C | | LDV5059.907 | RM1055 - G2B, GBB. RM5059 - G2B. |
| LDV | G10 | 03/15 - 06/23 | G10 7 SEAT VAN | LDV1330.107C | LDV5357.122 | LDV9053.966 | RM1330 - TRB. AOF AVAILABLE 1330. |
| LDV | G10 | 03/15 - 06/23 | G10 2 SEAT VAN | LDV1330.107C | | | RM1330 - TRB. AOF AVAILABLE 1330. |
| LDV | G10 | 03/15 - 06/23 | G10 9 SEAT VAN (4 ROWS) | LDV1330.107C | LDV5357.122 LDV5358.107 | LDV9052.966 | RM1330 - TRB. Row 1 - 107C, Row 2 - 122, Row 3 - 107, Row 4 - 966. AOF AVAILABLE 1330. |
| LDV | G10+ | 07/22 - CURRENT | (SV7C) G10 PLUS 2 SEAT VAN | LDV1434.217 | | | RM - TRG. AOF AVAILABLE |
| LDV | MIFA | 09/22 - CURRENT | MODE WAGON | LDV1434.217 | | | RM - TRG. AOF AVAILABLE |
| LDV | T60 | 10/17 - CURRENT | (SK8C) ALL BADGES UTE | LDV1055.102C | | LDV5059.907 | RM1055 - G2B, GBB. RM5059 - G2B. |
| LDV | TERRON 9 | 04/25 - CURRENT | (EKK1C) ORIGIN DUAL CAB | LDV1599.102C | | LDV5431.888 | AOF AVAILABLE |
| LDV | TERRON 9 | 04/25 - CURRENT | (EKK1C) EVOLVE DUAL CAB | LDV1599.102C | | LDV5426.1120 | AOF AVAILABLE |
| LDV | V80 | 01/13 - CURRENT | (K1) 11 SEAT MINIBUS | | | | ROW 1 (LDV1277.127 X QTY 1) RM1277 - G2B, GBB, TRB, TRG, WEB ROW 2 (LDV5345.1150 X QTY 1) ROW 3 (LDV5346.1151 X QTY 1) ROW 4 (LDV5346.1151 OR LDV9046.1152 X QTY1) |
| LDV | V80 | 01/13 - CURRENT | (K1) V80 3 SEAT VAN | LDV1329.413 | | | |

| MAKE | MODEL | YEAR | SERIES & SUB MODEL | Front Pattern Number | Middle Pattern Number | Rear Pattern Number | Notes |
|-------|--------|-----------------|---|----------------------|-----------------------|---------------------|---|
| LEXUS | IS200T | 09/15 - 11/17 | (ASE30R) F SPORT, LUXURY, SPORTS LUXURY SEDAN | LEX1140.102C | | | |
| LEXUS | IS300 | 10/17 - 12/21 | (ASE30R) F SPORT, LUXURY, SPORTS LUXURY SEDAN | LEX1140.102C | | LEX5369.913 | SIDE BOLSTERS NOT COVERED DUE TO AIRBAGS |
| LEXUS | LX470 | 05/98 - 03/08 | (UZJ100R) SUV | LEX1092.102C | LEX5078.942 | TOY9070.709 | RM1092 & RM5078 - G2B, TRG. AO AVAILABLE 1092 & 5078. |
| LEXUS | NX450H | 07/25 - CURRENT | (AAZH26R) PHEV LUXURY SUV | LEX1666.102C | | LEX5484.965 | |
| LEXUS | RX350 | 11/15 - 08/22 | (GGL25R) CRAFTED, F SPORT SUV | LEX1383.102C | | LEX5318.1132 | REAR ARMREST NOT COVERED. REAR AIRBAGS. |
| LEXUS | UX200 | 08/18 - CURRENT | (MZA) ALL BADGES SUV | LEX1317.102C | | LEX5269.1032 | |
| LEXUS | UX250H | 08/18 - CURRENT | (MZA) HYBRID SUV | LEX1317.102C | | LEX5269.1032 | |

| MAKE | MODEL | YEAR | SERIES & SUB MODEL | Front Pattern Number | Middle Pattern Number | Rear Pattern Number | Notes |
|---------|-----------|--------------|---|----------------------|-----------------------|---------------------|-----------------------|
| LIUGONG | EXCAVATOR | 22 - CURRENT | 9018F, 9027F ZTS EXCAVATOR | LIU1356.179 | | | AOF ONLY. SINGLE SEAT |
| LIUGONG | EXCAVATOR | 22 - CURRENT | 915E, 922E, 925E, 930E EXCAVATOR | LIU1359.182 | | | AOF ONLY. SINGLE SEAT |
| LIUGONG | EXCAVATOR | 22 - CURRENT | 906E EXCAVATOR | LIU1358.181 | | | AOF ONLY. SINGLE SEAT |
| LIUGONG | EXCAVATOR | 22 - CURRENT | 9035E EXCAVATOR | LIU1399.174 | | | AOF ONLY. SINGLE SEAT |
| LIUGONG | EXCAVATOR | 22 - CURRENT | 915FCR EXCAVATOR | LIU1408.167 | | | AOF ONLY. SINGLE SEAT |
| LIUGONG | EXCAVATOR | 22 - CURRENT | 933F EXCAVATOR | LIU1650.315 | | | AOF ONLY. SINGLE SEAT |
| LIUGONG | LOADER | 22 - CURRENT | 835H, 838H, 848H, 856H, 862H WHEEL LOADER | LIU1360.182 | | | AOF ONLY. SINGLE SEAT |
| LIUGONG | LOADER | 22 - CURRENT | 838T, 848T WHEEL LOADER | LIU1553.197 | | | AOF ONLY. SINGLE SEAT |
| LIUGONG | ROLLER | 22 - CURRENT | 6615E ROLLER | LIU1358.181 | | | AOF ONLY. SINGLE SEAT |
| LIUGONG | ROLLER | 22 - CURRENT | 6520E ROLLER | LIU1357.180 | | | AOF ONLY. SINGLE SEAT |
| LIUGONG | SKIDSTEER | 22 - CURRENT | 365B, 375B, 385B SKIDSTEER | LIU1474.179 | | | AOF ONLY. SINGLE SEAT |

| MAKE | MODEL | YEAR | SERIES & SUB MODEL | Front Pattern Number | Middle Pattern Number | Rear Pattern Number | Notes |
|------|-------|-----------------|--|----------------------|-----------------------|---------------------|---|
| MACK | TRUCK | 10/10 - CURRENT | GRANITE, METROLINER, TITAN, TRIDENT, SUPERLINER TRUCK. SEE NOTES | MAC1377.189 | | | A/O ONLY. ISRI 6860-870 BIG BOY / FAT BOY DRIVER & PASSENGER. UNIVERSAL ARM REST ALLOWANCE TO SUIT DRIVER SEAT WITH 0, 1 OR 2 ARM RESTS. ARM RESTS NOT COVERED. |
| MACK | TRUCK | 19 - CURRENT | METROLINER TRUCK | MAC1443.219 | | | A/O ONLY. ISRI 6860-870 DRIVER. |
| MACK | TRUCK | 20 - CURRENT | GRANITE TRUCK | MAC1443.219 | | | A/O ONLY. ISRI 6860-870 DRIVER. |

| MAKE | MODEL | YEAR | SERIES & SUB MODEL | Front Pattern Number | Middle Pattern Number | Rear Pattern Number | Notes |
|-------|-------------|--------------|--|----------------------|-----------------------|---------------------|--|
| MAGNI | FORKLIFT | 25 - CURRENT | FL2.5, FL3.0, FL3.5, FL5.0 FORKLIFT, BENGFENG BF5-3 (2008) SEAT | MAG1642.255 | | | AOF ONLY. SINGLE SEAT |
| MAGNI | TELEHANDLER | 20 - CURRENT | TELESCOPIC HANDLER, ACTIVO SEAT | MAG1569.184 | | | AOF ONLY. SINGLE SEAT |
| MAGNI | TELEHANDLER | 20 - CURRENT | TELESCOPIC HANDLER (SUITS RTH5.18, TH3.6) GRAMMER MSG85 / MSG285 SEAT | MAG1570.244 | | | AOF ONLY. SINGLE SEAT |
| MAGNI | TELEHANDLER | 20 - CURRENT | TELESCOPIC HANDLER (SUITS RTH6.26) KAB155 SEAT | MAG1571.179 | | | AOF ONLY. SINGLE SEAT |
| MAGNI | TELEHANDLER | 20 - CURRENT | TELESCOPIC HANDLER (SUITS RTH5.18), COBO - M98, M293 HIGH BACK REST INTERACTIVE COMFORT SEAT | MAG1572.245 | | | AOF ONLY. SINGLE SEAT |
| MAGNI | TELEHANDLER | 20 - CURRENT | TELESCOPIC HANDLER (SUITS TH3.6) GRAMMER PRIMO XXL MSG75 SEAT | MAG1595.174 | | | AOF ONLY. SINGLE SEAT. ROUND ALLOWANCE ON REAR OF BACKREST |

| MAKE | MODEL | YEAR | SERIES & SUB MODEL | Front Pattern Number | Middle Pattern Number | Rear Pattern Number | Notes |
|----------|---------|-----------------|-----------------------------|----------------------|-----------------------|---------------------|-------|
| MAHINDRA | PIKUP | 08/18 - CURRENT | S6+, S10, S10+, S11 UTILITY | MAH1400.107C | | MAH5324.1144 | |
| MAHINDRA | SCORPIO | 23 - CURRENT | (Z8, Z8L) 7 SEAT SUV | MAH1582.102C | MAH5417.968 | MAH9184.704 | |

| MAKE | MODEL | YEAR | SERIES & SUB MODEL | Front Pattern Number | Middle Pattern Number | Rear Pattern Number | Notes |
|-------|-------|---------------|----------------------------------|----------------------|-----------------------|---------------------|------------------------|
| MAZDA | 121 | 03/87 - 11/90 | (DA) ALL BADGES HATCH | | | CZ070.821 | |
| MAZDA | 121 | 11/90 - 08/97 | (DB) ALL BADGES SEDAN | CZ071.101C | | CZ071.813 | |
| MAZDA | 121 | 10/96 - 97 | (DW) METRO HATCH | CZ072.101B | | CZ072.857 | |
| MAZDA | 121 | 97 - 00 | (DW) METRO HATCH | CZ072.101B | | CZ073.822 | |
| MAZDA | 121 | 00 - 12/02 | (DW) METRO HATCH | CZ072.101B | | CZ075.908 | |
| MAZDA | 323 | 03/77 - 81 | (FA) ALL BADGES 2DR HATCH | | | CZ001.806 | |
| MAZDA | 323 | 03/77 - 81 | (FA) ALL BADGES 4DR HATCH | | | CZ103.707 | REAR MOULDED HEADRESTS |
| MAZDA | 323 | 07/78 - 06/79 | (FA) ALL BADGES WAGON | | | CZ011.702 | |
| MAZDA | 323 | 79 - 81 | (FA) ALL BADGES WAGON | | | CZ102.806 | |
| MAZDA | 323 | 10/80 - 09/87 | (BD, BF) SS HATCH | | | CZ005.813 | |
| MAZDA | 323 | 03/81 - 09/85 | (BD, BF) DELUXE HATCH | | | CF060.806 | |
| MAZDA | 323 | 03/81 - 09/85 | (BD, BF) SUPER DELUXE HATCH | | | CZ004.707 | |
| MAZDA | 323 | 11/82 - 10/85 | (BD, BF) SS SEDAN | | | CZ008.809 | |
| MAZDA | 323 | 11/82 - 08/89 | (BD, BF) DELUXE SEDAN | | | CZ008.809 | |
| MAZDA | 323 | 11/82 - 08/89 | (BD,BF) SUPER DELUXE SEDAN | | | CZ007.810 | |
| MAZDA | 323 | 10/85 - 10/89 | (BF) DELUXE 4DR HATCH | | | CF201.808 | |
| MAZDA | 323 | 10/85 - 10/89 | (BF) SHADES HATCH | | | CZ012.806 | |
| MAZDA | 323 | 10/85 - 05/89 | (BF) SUPER DELUXE HATCH | | | CF143.821 | |
| MAZDA | 323 | 88 - 10/89 | (BF) SERIES 2 SUPER DELUXE HATCH | | | CZ012.806 | |
| MAZDA | 323 | 10/89 - 92 | (BG) ASTINA HATCH | | | CZ100.810 | |
| MAZDA | 323 | 10/89 - 08/94 | (BG) SUPER DELUXE SEDAN | | | CF069.810 | |
| MAZDA | 323 | 10/89 - 08/94 | (BG) ASTINA SP HATCH | CZ100.108 | | CZ100.810 | |
| MAZDA | 323 | 10/89 - 08/94 | (BG) 1.6 ASTINA SEDAN | | | CZ104.809 | |
| MAZDA | 323 | 92 - 08/94 | (BG) ASTINA HATCH | | | CZ105.847 | |
| MAZDA | 323 | 10/94 - 12/95 | (BA) ASTINA SEDAN | CZ107.101B | | CZ108.869 | |
| MAZDA | 323 | 07/94 - 96 | (BA) PROTÉGÉ SEDAN | CF063.102B | | CZ106.847 | |
| MAZDA | 323 | 07/94 - 09/98 | (BA) ASTINA HATCH | CZ107.101B | | CZ107.869 | |
| MAZDA | 323 | 07/94 - 09/98 | (BA) NO BADGE SEDAN | CZ110.102C | | CZ110.809 | |
| MAZDA | 323 | 01/96 - 09/98 | (BA) ASTINA SEDAN | CZ109.102C | | CZ108.869 | |
| MAZDA | 323 | 96 - 09/98 | (BA) PROTÉGÉ SEDAN | CZ150.102C | | CZ150.877 | |
| MAZDA | 323 | 09/98 - 12/03 | (BJ) ASTINA HATCH | CZ151.102C | | CZ151.514 | |
| MAZDA | 323 | 09/98 - 12/03 | (BJ) PROTEGE SEDAN 1.6 | CZ152.102 | | CZ152.877 | |
| MAZDA | 323 | 09/98 - 12/03 | (BJ) PROTEGE SEDAN 1.8 | CZ153.111 | | CZ152.877 | |
| MAZDA | 323 | 09/98 - 12/03 | (BJ) PROTEGE SHADES SEDAN | CZ176.111 | | CZ152.877 | |
| MAZDA | 323 | 09/98 - 12/03 | (BJ) ASTINA SHADES SP20 HATCH | CZ151.102C | | CZ154.514 | |
| MAZDA | 323 | 02/01 - 12/03 | (BJ) ASTINA SP20 HATCH | CZ176.111 | | CZ154.514 | |
| MAZDA | 323 | 02/01 - 12/03 | (BJ) ASTINA SP20 HATCH | CZ151.102C | | CZ154.514 | |
| MAZDA | 323 | 04/02 - 12/03 | (BJ) PROTÉGÉ SP20 SEDAN | CZ153.111 | | CZ175.808 | |
| MAZDA | 323 | 03 - 12/03 | (BJ) PROTÉGÉ SP20 SEDAN | CZ176.111 | | CZ152.877 | |
| MAZDA | 626 | 06/78 - 82 | (GC) SUPER DELUXE COUPE | | | CZ032.809 | |
| MAZDA | 626 | 12/78 - 08/03 | (GC) ALL BADGES SEDAN | | | CZ020.809 | |
| MAZDA | 626 | 82 - 02/83 | (GC) SUPER DELUXE COUPE | | | CZ039.812 | |
| MAZDA | 626 | 02/83 - 10/87 | (GC) SUPER DELUXE COUPE | | | CZ023.808 | |
| MAZDA | 626 | 02/83 - 10/87 | (GC) SUPER DELUXE SEDAN | | | CZ024.810 | |
| MAZDA | 626 | 02/83 - 10/87 | (GC) DELUXE HATCH | | | CZ028.811 | |
| MAZDA | 626 | 02/83 - 10/87 | (GC) SE HATCH | | | CZ030.813 | |
| MAZDA | 626 | 10/87 - 12/91 | (GD) SUPER DELUXE HATCH | | | CF085.809 | |
| MAZDA | 626 | 10/87 - 12/91 | (GD) SUPER DELUXE TURBO HATCH | | | CZ025.833 | |
| MAZDA | 626 | 10/87 - 12/91 | (GD) ECLIPSE SEDAN | | | CF085.809 | |
| MAZDA | 626 | 10/87 - 12/91 | (GC, GD) SUPER DELUXE SEDAN | CZ033.108 | | CZ033.810 | |

| MAKE | MODEL | YEAR | SERIES & SUB MODEL | Front Pattern Number | Middle Pattern Number | Rear Pattern Number | Notes |
|-------|-------|-----------------|---|----------------------|-----------------------|---------------------|---|
| MAZDA | 626 | 06/88 - 01/95 | (GV) 2.2I ESTATE WAGON | | | CZ031.879 | |
| MAZDA | 626 | 01/92 - 06/97 | (GE) ECLIPSE HATCH | CZ033.108 | | CZ025.833 | |
| MAZDA | 626 | 01/92 - 06/97 | (GE) LUXURY, SDX HATCH | CF160.108A | | CF160.856 | |
| MAZDA | 626 | 01/92 - 06/97 | (GE) DELUXE SEDAN | CF160.108A | | CF161.855 | |
| MAZDA | 626 | 03/95 - 09/97 | (GV) ESTATE WAGON | CZ044.108 | | CZ044.847 | |
| MAZDA | 626 | 03/95 - 09/97 | (GV) ESTATE WAGON | CZ130.102 | CZ044.847 | MAZ9130.703 | |
| MAZDA | 626 | 07/97 - 99 | (GF) CLASSIC SEDAN | CZ131.102C | | CZ131.879 | |
| MAZDA | 626 | 07/97 - 08/02 | (GF) 40TH ANNIVERSARY, CLASSIC, LIMITED HATCH | CZ131.102C | | CZ134.833 | |
| MAZDA | 626 | 07/97 - 08/02 | (GF) CLASSIC, ECLIPSE HATCH | CZ134.107 | | CZ134.833 | |
| MAZDA | 626 | 01/98 - 06/02 | (GF) CLASSIC WAGON | CZ131.102C | | CZ133.885 | |
| MAZDA | 626 | 00 - 08/02 | (GF) CLASSIC, ECLIPSE SEDAN | CZ134.107 | | CZ135.879 | |
| MAZDA | 929 | 03/82 - 06/87 | (HB) LIMITED, LUXURY 2DR HARD TOP | CZ040.102 | | CZ040.802 | |
| MAZDA | 929 | 03/82 - 06/87 | (HB) LIMITED SEDAN | CZ042.101B | | CZ042.803 | |
| MAZDA | 929 | 03/82 - 06/87 | (HB) DELUXE, LUXURY SEDAN | CZ043.101B | | CZ043.801 | |
| MAZDA | 929 | 02/82 - 06/87 | (LA) ALL BADGES WAGON | CZ045.101C | | CZ045.807 | |
| MAZDA | 929 | 06/87 - 08/91 | (HC) V6I HARD TOP | | | CZ120.803 | |
| MAZDA | 929 | 06/87 - 08/91 | (HC) LUXURY V6I, V6I SUPER DELUXE SEDAN | | | CZ120.803 | |
| MAZDA | 929 | 07/91 - 11/97 | (HD) 4WS SEDAN | CZ120.102B | | CZ120.803 | |
| MAZDA | B2000 | 82 - 91 | BRAVO SINGLE CAB | CZ055.202 | | | LARGE GEAR CUT OUT |
| MAZDA | B2200 | 81 - 96 | BRAVO SINGLE CAB | CZ055.202 | | | LARGE GEAR CUT OUT |
| MAZDA | B2200 | 86 - 88 | BRAVO DUAL CAB | CZ062.203 | | CZ055.701 | |
| MAZDA | B2200 | 03/88 - 11/91 | BRAVO DUAL CAB | CZ055.202 | | CZ055.701 | LARGE GEAR CUT OUT |
| MAZDA | B2500 | 02/99 - 11/06 | BRAVO DX SINGLE CAB | CZ173.117 | | | |
| MAZDA | B2600 | 87 - 10/91 | BRAVO 4WD DUAL CAB | CZ055.202 | | CZ055.701 | LARGE GEAR CUT OUT |
| MAZDA | B2600 | 87 - 02/99 | BRAVO SINGLE CAB | CZ055.202 | | | LARGE GEAR CUT OUT |
| MAZDA | B2600 | 11/91 - 04/96 | BRAVO 4WD DUAL CAB | CZ068.101 | | CZ068.701 | |
| MAZDA | B2600 | 04/96 - 02/99 | BRAVO DUAL CAB | CZ068.101 | | CZ069.704 | |
| MAZDA | B2600 | 02/99 - 12/02 | (UN) BRAVO SINGLE CAB | CZ170.202 | | | |
| MAZDA | B2600 | 02/99 - 12/02 | (UN) BRAVO DUAL CAB | CZ171.102 | | CZ171.704 | |
| MAZDA | B2600 | 01/03 - 11/06 | (UN) BRAVO SINGLE CAB | CZ173.117 | | | |
| MAZDA | B2600 | 01/03 - 11/06 | (UN) BRAVO DUAL CAB | CZ174.102C | | CZ204.704 | |
| MAZDA | B4000 | 05 - 06 | BRAVO SDX DUAL CAB | CZ174.102C | | CZ174.801 | |
| MAZDA | BT50 | 11/06 - 10/11 | (UN) DX SINGLE CAB, BENCH SEAT | MAZ1168.117 | | | RM1168 - G2B. ARMREST NOT COVERED |
| MAZDA | BT50 | 11/06 - 10/11 | (UN) DX SINGLE CAB, BUCKET SEATS | MAZ1167.111 | | | RM1167 - G2B, TRB, TRG. AO AVAILABLE. |
| MAZDA | BT50 | 11/06 - 10/11 | (UN) SDX, DX+ FREESTYLE CAB | MAZ1167.111 | | | RM1167 - G2B, TRB, TRG. AO AVAILABLE. |
| MAZDA | BT50 | 11/06 - 10/11 | (UN) DX, SDX DUAL CAB | MAZ1167.111 | | MAZ5174.1005 | RM1167 - G2B, TRB, TRG. RM5174 - G2B. REAR ARMREST NOT COVERED. AO AVAILABLE 1167. |
| MAZDA | BT50 | 11/11 - 07/20 | (UP, UR) XT SINGLE CAB, BUCKET SEATS | MAZ1003.102C | | | RM - EMB, G2B, GBB, GBL, GBO, STB, STC, TRB, TRG, WEB. AOF AVAILABLE. CC02 - ANB & STC |
| MAZDA | BT50 | 11/11 - 07/20 | (UP, UR) XT, XTR FREESTYLE CAB | MAZ1003.102C | | MAZ5008.958 | RM1003 - EMB, G2B, GBB, GBL, GBO, STB, STC, TRB, TRG, WEB. RM5008 - G2B, TRG. AOF AVAILABLE. CC02 - ANB & STC |
| MAZDA | BT50 | 11/11 - 07/20 | (UP, UR) XT DUAL CAB | MAZ1003.102C | | MAZ5002.982 | RM1003 - EMB, G2B, GBB, GBL, GBO, STB, STC, TRB, TRG, WEB. RM5002 - G2B, TRB, TRG. AOF AVAILABLE. PFM. CC02 - ANB & STC |
| MAZDA | BT50 | 11/11 - 07/20 | (UP, UR) XT SINGLE CAB, BUCKET & 3/4 BENCH SEAT | MAZ1067.401 | | | RM - G2B, TRB, TRG. AO AVAILABLE. |
| MAZDA | BT50 | 11/11 - 08/15 | (UP) GT, XTR DUAL CAB | MAZ1003.102C | | MAZ5002.982 | RM1003 - EMB, G2B, GBB, GBL, GBO, STB, STC, TRB, TRG, WEB. RM5002 - G2B, TRB, TRG. AOF AVAILABLE. PFM. CC02 - ANB & STC |
| MAZDA | BT50 | 09/15 - 07/20 | (UR) GT, XTR DUAL CAB | MAZ1003.102C | | MAZ5001.907 | RM1003 - EMB, G2B, GBB, GBL, GBO, STB, STC, TRB, TRG, WEB. RM5001 - G2B, GBB, STC, TRB, TRG, WEB. AOF AVAILABLE. PFM. CC02 - ANB & STC |
| MAZDA | BT50 | 08/20 - CURRENT | (B30, TF) GT, SP, THUNDER, XTR DUAL CAB | MAZ1224.159 | | MAZ5210.1044 | RM1224 - EMB, G2B, GBB, GBL, GBR, RCB, STB, STC, TRB, TRG, WEB. RM5210 - G2B, GBB, GBR, STC, TRB, TRG, WEB. AOF AVAILABLE. PFM. CC03 - ANB & STC |
| MAZDA | BT50 | 08/20 - CURRENT | (B19, B30, TF) XS, XT DUAL CAB | MAZ1224.159 | | MAZ5211.1048 | RM1224 - EMB, G2B, GBB, GBL, GBR, RCB, STB, STC, TRB, TRG, WEB. RM5211 - GBB, TRB, TRG. AOF AVAILABLE. PFM. CC03 - ANB & STC |
| MAZDA | BT50 | 08/20 - CURRENT | (B19, B30, TF) XS, XT SINGLE CAB | MAZ1225.110 | | N/A | RM1225 - GBB, STB, TRB, TRG. AOF AVAILABLE. CC03 - ANB & STC |
| MAZDA | BT50 | 08/20 - CURRENT | (B30, TF) XT FREESTYLE CAB | MAZ1224.159 | | N/A | RM1224 - EMB, G2B, GBB, GBL, GBR, RCB, STB, STC, TRB, TRG, WEB. AOF AVAILABLE. |

| MAKE | MODEL | YEAR | SERIES & SUB MODEL | Front Pattern Number | Middle Pattern Number | Rear Pattern Number | Notes |
|-------|--------|-----------------|--|----------------------|-----------------------|---------------------|--|
| MAZDA | CX-3 | 03/15 - 08/18 | (DK) AKARI, MAXX, NEO, S TOURING SUV | MAZ1006.102C | | MAZ5037.1015 | RM1006 - EMB, G2B, GBB, WEB. RM5037 - EMB, G2B, WEB |
| MAZDA | CX-3 | 08/18 - 01/23 | (DK) NEO SPORT SUV | MAZ1006.102C | | MAZ5037.1015 | RM1006 - EMB, G2B, GBB, WEB. RM5037 - EMB, G2B, WEB |
| MAZDA | CX-3 | 08/18 - 01/23 | (DK) AKARI, AKARI LE, MAXX SPORT, S TOURING SUV | MAZ1006.102C | | MAZ5099.995 | RM1006 - EMB, G2B, GBB, WEB. RM5099 - G2B, WEB |
| MAZDA | CX-3 | 07/23 - CURRENT | (DK) G20 SPORT SUV | MAZ1544.102C | | MAZ5037.1015 | RM5037 - EMB, G2B, WEB |
| MAZDA | CX-3 | 07/23 - CURRENT | (DK) G20 AKARI, G20 EVOLVE, G20 PURE, G20 TOURING SP SUV | MAZ1544.102C | | MAZ5099.995 | RM5099 - G2B, WEB |
| MAZDA | CX-5 | 02/12 - 03/17 | (KE) AKERA, GRAND TOURING, MAXX SPORT SUV | MAZ1041.102C | | MAZ5255.980 | RM1041 - G2B, GBB, WEB. RM5255 - GBB. PFM |
| MAZDA | CX-5 | 02/12 - 03/17 | (KE) MAXX SUV | MAZ1041.102C | | MAZ5035.1015 | RM1041 - G2B, GBB, WEB. RM5035 - G2B, WEB. PFM |
| MAZDA | CX-5 | 03/17 - 11/23 | (KF) AKERA, GT, MAXX SPORT, TOURING SUV | MAZ1075.102C | | MAZ5071.1064 | RM1075 - G2B, GBB, GBR, EMB, WEB. RM5071 - G2B, GBB, EMB, WEB. ARMREST NOT COVERED |
| MAZDA | CX-5 | 03/17 - 11/23 | (KF) MAXX SUV | MAZ1075.102C | | MAZ5316.1129 | RM1075 - G2B, GBB, GBR, EMB, WEB. RM5316 - GBB. |
| MAZDA | CX-5 | 11/23 - CURRENT | (KF) G25 - AKERA, GT SP, MAXX SPORT & TOURING SUV G35 - AKERA & GT SP TURBO SUV | MAZ1603.102C | | MAZ5435.1064 | REAR ARMREST NOT COVERED |
| MAZDA | CX-5 | 11/23 - CURRENT | (KF) G20 MAXX SUV | MAZ1616.102C | | MAZ5438.1129 | |
| MAZDA | CX-7 | 11/06 - 01/12 | (ER) ALL BADGES SUV | CZ221.111 | | CZ221.924 | |
| MAZDA | CX-8 | 06/18 - CURRENT | (KG) ASAKI, SPORT, TOURING SUV | MAZ1172.111 | MAZ5155.1001 | MAZ9020.821 | RM1172 - G2B, GBB, WEB & RM5155 - EMB, G2B, GBB, WEB. RM9020 - GBB |
| MAZDA | CX-9 | 12/07 - 06/11 | (TB) CLASSIC, GRAND TOURING, LUXURY SUV | CZ225.111 | CZ225.1001 | MAZ9131.521 | UNABLE TO COVER MIDDLE ROW ARMREST |
| MAZDA | CX-9 | 06/11 - 07/16 | (TB) CLASSIC, GRAND TOURING, LUXURY SUV | CZ225.111 | CZ225.1001 | MAZ9015.521 | 3RD ROW HEADREST NOT REMOVABLE, UNABLE TO COVER MIDDLE ROW ARMREST |
| MAZDA | CX-9 | 07/16 - 18 | (TC) SPORT SUV | MAZ1172.111 | CZ247.1001 | MAZ9132.821 | RM1172 - G2B, GBB, WEB |
| MAZDA | CX-9 | 18 - 19 | (TC) SPORT SUV | MAZ1172.111 | CZ256.1001 | MAZ9132.821 | RM1172 - G2B, GBB, WEB. NO CONSOLE IN MIDDLE ROW ARM REST |
| MAZDA | CX-9 | 18 - CURRENT | (TC) AZAMI, GT, TOURING SUV | MAZ1172.111 | MAZ5155.1001 | MAZ9020.821 | RM1172 - G2B, GBB, WEB & RM5155 - EMB, G2B, GBB, WEB. RM9020 - GBB. CONSOLE IN MIDDLE ROW ARM REST |
| MAZDA | CX-9 | 19 - CURRENT | (TC) SPORT SUV | MAZ1172.111 | MAZ5344.1001 | MAZ9020.821 | RM1172 - G2B, GBB, WEB. RM9020 - GBB |
| MAZDA | CX-30 | 11/19 - CURRENT | (DM) G20 - ASTINA, EVOLVE, TOURING SUV | MAZ1137.121 | | MAZ5134.995 | RM1137 - GBB, GBR. RM5134 - GBB |
| MAZDA | CX-30 | 11/19 - CURRENT | (DM) G20 - GSX, G20 PURE SUV | MAZ1137.121 | | MAZ5160.1015 | RM1137 - GBB, GBR. RM5160 - GBB |
| MAZDA | CX-30 | 11/19 - CURRENT | (DM) G25 - ASTINA, GT SP, GTX (NZ), LTD (NZ), TOURING SUV | MAZ1137.121 | | MAZ5134.995 | RM1137 - GBB, GBR. RM5134 - GBB |
| MAZDA | CX-60 | 01/23 - CURRENT | (C60, KH) D50E MHEV, G40E MHEV, P50E PHEV SUV | MAZ1460.111 | | MAZ5367.1064 | |
| MAZDA | CX-80 | 07/24 - CURRENT | (C80, KL) D50E MHEV, G40E MHEV (EXCLUDES PURE), P50E PHEV 7 SEAT SUV | MAZ1460.111 | MAZ5399.1157 | MAZ9100.821 | |
| MAZDA | CX-80 | 07/24 - CURRENT | (C80, KL) D50E, G40E (EXCLUDES PURE) 6 SEAT SUV | MAZ1460.111 | NPR | MAZ9100.821 | |
| MAZDA | CX-80 | 07/24 - CURRENT | (C80, KL) G40E PURE 7 SEAT SUV | MAZ1609.102C | MAZ5399.1157 | MAZ9100.821 | |
| MAZDA | CX-90 | 04/23 - CURRENT | (C90, KK) D50E, G50E 7 SEAT SUV | MAZ1460.111 | MAZ5399.1157 | MAZ9100.821 | 2ND ROW HAS AIRBAGS |
| MAZDA | CX-90 | 04/23 - CURRENT | (C90, KK) D50E, G50E 6 SEAT SUV | MAZ1460.111 | NPR | MAZ9100.821 | |
| MAZDA | DEMIO | 08/02 - 08/07 | (DY) ALL BADGES HATCH | CZ231.102C | | CZ231.908 | |
| MAZDA | DEMIO | 07/07 - 09/14 | (DE) ALL BADGES HATCH | MAZ1173.102C | | CZ233.1015 | RM1173 - G2B |
| MAZDA | DEMIO | 14 - 18 | (DJ) ALL BADGES HATCH | MAZ1173.102C | | MAZ5091.1015 | RM1173 - G2B |
| MAZDA | DEMIO | 18 - 07/19 | (DJ) ALL BADGES HATCH | MAZ1094.101C | | MAZ5091.1015 | |
| MAZDA | E1600 | 05/78 - 83 | VAN | CZ067.302 | CF100.504 | MAZ9095.704 | |
| MAZDA | E1800 | 02/84 - 01/88 | VAN | CZ057.301 | | CZ057.702 | |
| MAZDA | E1800 | 02 - 08 | VAN | CZ165.301 | | CZ165.701 | |
| MAZDA | E2000 | 02/84 - 01/99 | LWB VAN | CZ161.301 | | | |
| MAZDA | E2000 | 10/99 - 07/06 | VAN | CZ165.301 | | | |
| MAZDA | E2000 | 10/99 - 07/06 | VAN | CZ168.304 | | | |
| MAZDA | E2000 | 10/99 - 07/06 | VAN | CZ169.302 | | | |
| MAZDA | E2000 | 00 - 01 | SINGLE CAB | CZ164.304 | | | |
| MAZDA | E2200 | 02/84 - 08/97 | 15 SEAT LWB VAN (5 ROWS) | CZ074.302 | CZ074.501 | MAZ9134.501 | |
| MAZDA | E2500 | 08/97 - 10/99 | VAN | CZ160.402 | | | |
| MAZDA | E2500 | 08/97 - 10/99 | SINGLE CAB | CZ162.303 | | | |
| MAZDA | E2500 | 10/99 - 05/03 | SINGLE CAB | CZ164.304 | | | |
| MAZDA | MAZDA2 | 12/02 - 08/07 | (DY) ALL BADGES HATCH | CZ231.102C | | CZ231.908 | |
| MAZDA | MAZDA2 | 09/07 - 10/14 | (DE) ALL BADGES HATCH | MAZ1173.102C | | CZ233.1015 | RM1173 - G2B |
| MAZDA | MAZDA2 | 08/14 - 18 | (DJ) ALL BADGES HATCH | MAZ1173.102C | | MAZ5091.1015 | RM1173 - G2B |
| MAZDA | MAZDA2 | 08/15 - 17 | (DL) MAXX, NEO SEDAN | MAZ1173.102C | | CZ245.1015 | RM1173 - G2B |
| MAZDA | MAZDA2 | 18 - 08/19 | (DL) MAXX, NEO SEDAN | MAZ1094.101C | | CZ245.1015 | |

| MAKE | MODEL | YEAR | SERIES & SUB MODEL | Front Pattern Number | Middle Pattern Number | Rear Pattern Number | Notes |
|-------|--------|-----------------|---|----------------------|-----------------------|---------------------|---|
| MAZDA | MAZDA2 | 18 - CURRENT | (DJ) ALL BADGES HATCH | MAZ1094.101C | | MAZ5091.1015 | |
| MAZDA | MAZDA3 | 10/03 - 05/06 | (BK) SERIES 1 ALL BADGES HATCH, SEDAN | CZ167.102C | | CZ167.924 | |
| MAZDA | MAZDA3 | 05/06 - 03/09 | (BK) SERIES 2 ALL BADGES HATCH, SEDAN | CZ191.102C | | CZ167.924 | |
| MAZDA | MAZDA3 | 04/09 - 01/14 | (BL) MAXX, MAXX SPORT, MPS, SP20, SP25 SEDAN | CZ192.111 | | CZ192.924 | |
| MAZDA | MAZDA3 | 04/09 - 01/14 | (BL) NEO HATCH | CZ193.102C | | CZ193.995 | |
| MAZDA | MAZDA3 | 04/09 - 01/14 | (BL) MAXX, MAXX SPORT, MPS, SP20, SP25 HATCH | CZ192.111 | | CZ193.995 | |
| MAZDA | MAZDA3 | 04/09 - 01/14 | (BL) NEO SEDAN | CZ193.102C | | CZ192.924 | |
| MAZDA | MAZDA3 | 01/14 - 02/19 | (BM, BN) SP25, SP25 ASTINA, SP25GT, XD HATCH | MAZ1076.102C | | MAZ5079.995 | RM - G2B, EMB, WEB. PFM |
| MAZDA | MAZDA3 | 01/14 - 02/19 | (BM, BN) NEO, NEO SPORT HATCH | MAZ1006.102C | | MAZ5072.1015 | RM1006 - EMB, G2B, GBB, WEB. RM5072 - EMB, G2B, WEB. PFM |
| MAZDA | MAZDA3 | 01/14 - 02/19 | (BM, BN) MAXX, MAXX SPORT, TOURING HATCH | MAZ1006.102C | | MAZ5079.995 | RM1006 - EMB, G2B, GBB, WEB. RM5079 - EMB, G2B, WEB. PFM |
| MAZDA | MAZDA3 | 01/14 - 02/19 | (BM, BN) MAXX, MAXX SPORT, TOURING SEDAN | MAZ1006.102C | | MAZ5036.995 | RM1006 - EMB, G2B, GBB, WEB. RM5036 - G2B, WEB. PFM |
| MAZDA | MAZDA3 | 01/14 - 02/19 | (BM, BN) SP25, SP25 ASTINA, SP25GT SEDAN | MAZ1076.102C | | MAZ5036.995 | RM1076 - G2B, EMB, WEB, RM5036 - G2B, WEB. PFM |
| MAZDA | MAZDA3 | 01/14 - 02/19 | (BM, BN) NEO, NEO SPORT SEDAN | MAZ1006.102C | | CZ255.1015 | RM1006 - EMB, G2B, GBB, WEB. PFM |
| MAZDA | MAZDA3 | 02/19 - CURRENT | (BP) G20 EVOLVE, G20 TOURING SEDAN | MAZ1137.121 | | MAZ5135.995 | RM1137 - GBB, GBR |
| MAZDA | MAZDA3 | 02/19 - CURRENT | (BP) G25 ASTINA, G25 EVOLVE, G25 GT SEDAN | MAZ1137.121 | | MAZ5135.995 | RM1137 - GBB, GBR |
| MAZDA | MAZDA3 | 02/19 - CURRENT | (BP) G20 EVOLVE, G20 TOURING HATCH | MAZ1137.121 | | MAZ5134.995 | RM1137 - GBB, GBR. RM5134 - GBB |
| MAZDA | MAZDA3 | 02/19 - CURRENT | (BP) G25 ASTINA, G25 EVOLVE, G25 GT HATCH | MAZ1137.121 | | MAZ5134.995 | RM1137 - GBB, GBR. RM5134 - GBB |
| MAZDA | MAZDA3 | 02/19 - CURRENT | (BP) G20 PURE HATCH | MAZ1137.121 | | MAZ5160.1015 | RM1137 - GBB, GBR. RM5160 - GBB |
| MAZDA | MAZDA3 | 02/19 - CURRENT | (BP) G20 PURE SEDAN | MAZ1137.121 | | MAZ5208.1015 | RM1137 - GBB, GBR |
| MAZDA | MAZDA6 | 08/02 - 05 | (GG) SERIES 1 CLASSIC SEDAN | CZ136.102C | | CZ137.950 | |
| MAZDA | MAZDA6 | 08/02 - 05 | (GG) SERIES 1 CLASSIC HATCH | CZ136.102C | | CZ138.912 | |
| MAZDA | MAZDA6 | 08/02 - 04/07 | (GY) CLASSIC WAGON | CZ136.102C | | CZ138.912 | |
| MAZDA | MAZDA6 | 08/02 - 01/08 | (GG) LUXURY SEDAN | CZ136.102C | | CZ137.950 | |
| MAZDA | MAZDA6 | 08/02 - 01/08 | (GG) LIMITED SEDAN | CZ136.102C | | CZ136.924 | |
| MAZDA | MAZDA6 | 05 - 01/08 | (GG) SERIES 2 CLASSIC HATCH | CZ196.102C | | CZ138.912 | |
| MAZDA | MAZDA6 | 10/05 - 01/08 | (GG) MPS SEDAN | CZ199.121 | | CZ137.950 | |
| MAZDA | MAZDA6 | 06 - 01/08 | (GG) SERIES 2 CLASSIC SEDAN | CZ196.102C | | CZ137.950 | |
| MAZDA | MAZDA6 | 10/06 - 01/08 | (GY) DIESEL WAGON | CZ196.102C | | CZ138.912 | |
| MAZDA | MAZDA6 | 02/08 - 10 | (GH) SERIES 1 CLASSIC HATCH | CZ200.102C | | CZ200.987 | |
| MAZDA | MAZDA6 | 02/08 - 11/12 | (GH) CLASSIC SEDAN | CZ201.102C | | CZ201.1014 | |
| MAZDA | MAZDA6 | 02/08 - 11/12 | (GH) CLASSIC, DIESEL WAGON | CZ201.102C | | CZ202.987 | REAR ARMREST NOT COVERED |
| MAZDA | MAZDA6 | 10 - 11/12 | (GH) SERIES 2 CLASSIC HATCH | CZ201.102C | | CZ200.987 | |
| MAZDA | MAZDA6 | 12/12 - 09/16 | (GJ) ATENZA, GT, TOURING WAGON | MAZ1218.102C | | MAZ5204.1024 | |
| MAZDA | MAZDA6 | 12/12 - 09/16 | (GJ) ATENZA, GT, TOURING SEDAN | MAZ1218.102C | | NPR | |
| MAZDA | MAZDA6 | 12/12 - 09/16 | (GJ) SPORT WAGON | MAZ1219.102C | | MAZ5204.1024 | |
| MAZDA | MAZDA6 | 12/12 - 09/16 | (GJ) SPORT SEDAN | MAZ1219.102C | | NPR | |
| MAZDA | MAZDA6 | 09/16 - 01/23 | (GL) SPORT SEDAN | MAZ1250.102C | | CZ248.1014 | |
| MAZDA | MAZDA6 | 09/16 - 01/23 | (GL) SPORT WAGON | MAZ1250.102C | | CZ249.1024 | |
| MAZDA | MAZDA6 | 09/16 - 01/23 | (GL) ATENZA, GT, TOURING WAGON | CZ248.102C | | CZ249.1024 | |
| MAZDA | MAZDA6 | 09/16 - 01/23 | (GL) ATENZA, GT, TOURING SEDAN | CZ248.102C | | CZ248.1014 | |
| MAZDA | MAZDA6 | 01/23 - CURRENT | (GL) G25 SPORT SEDAN | MAZ1250.102C | | CZ248.1014 | |
| MAZDA | MAZDA6 | 01/23 - CURRENT | (GL) G25 SPORT WAGON | MAZ1250.102C | | CZ249.1024 | |
| MAZDA | MAZDA6 | 01/23 - CURRENT | (GL) G25 TOURING, G35 ATENZA, G35 GT WAGON | CZ248.102C | | CZ249.1024 | |
| MAZDA | MAZDA6 | 01/23 - CURRENT | (GL) G25 TOURING, G35 ATENZA, G35 GT SEDAN | CZ248.102C | | CZ248.1014 | |
| MAZDA | MPV | 10/93 - 96 | (LV) PEOPLE MOVER | CZ077.114 | CZ077.713 | MAZ9135.704 | |
| MAZDA | MPV | 96 - 09/99 | (LV) PEOPLE MOVER | CZ078.107 | CZ078.204 | MAZ9135.704 | |
| MAZDA | MPV | 08/99 - 04 | (LW) PEOPLE MOVER | CZ079.107A | CZ079.522 | MAZ9136.918 | |
| MAZDA | MPV | 05 - 09/06 | (LW) PEOPLE MOVER | CZ080.107A | CZ080.522 | MAZ9137.918 | |
| MAZDA | MX-30 | 01/21 - CURRENT | (DR) G20E-MHEV - ASTINA, EVOLVE & TOURING SUV | MAZ1424.105 | | MAZ5338.1080 | |
| MAZDA | MX-30 | 04/21 - CURRENT | (DR) E35 ASTINA SUV | MAZ1424.105 | | MAZ5338.1080 | |

| MAKE | MODEL | YEAR | SERIES & SUB MODEL | Front Pattern Number | Middle Pattern Number | Rear Pattern Number | Notes |
|-------|---------|-----------------|----------------------------|----------------------|-----------------------|---------------------|---|
| MAZDA | MX5 | 03/98 - 11/02 | (NB) SPORTS ROADSTER | CZ180.110 | | | |
| MAZDA | MX5 | 12/02 - 08/05 | (NB) SPORTS ROADSTER | CZ181.110 | | | |
| MAZDA | MX5 | 09/05 - 01/15 | (NC) COUPE SPORTS ROADSTER | CZ216.110 | | | |
| MAZDA | MX5 | 08/15 - CURRENT | (ND) ALL BADGES ROADSTER | MAZ1122.140 | | | |
| MAZDA | MX6 | 10/87 - 08/94 | (GD, GE) 2DR COUPE | CZ049.108A | | CZ049.808 | |
| MAZDA | PREMACY | 02/01 - 06/03 | (CP) ALL BADGES WAGON | CZ145.107A | | CZ145.917 | |
| MAZDA | RX-8 | 07/03 - 07/12 | (FE) ALL BADGES COUPE | CZ229.140 | | | REAR NOT COVERED DUE TO CONSOLE THAT RUNS IN THE MIDDLE OF SEAT |
| MAZDA | TRIBUTE | 02/01 - 01/04 | (CU, YU) CLASSIC SUV | CZ125.101C | | CZ125.899 | |
| MAZDA | TRIBUTE | 02/04 - 06/06 | (CU, YU) CLASSIC SUV | CZ126.101C | | CZ125.899 | |
| MAZDA | TRIBUTE | 07/06 - 01/08 | (SZ, 8Z) ALL BADGES SUV | CF246.101C | | CF246.912 | |

| MAKE | MODEL | YEAR | SERIES & SUB MODEL | Front Pattern Number | Middle Pattern Number | Rear Pattern Number | Notes |
|----------|----------|-----------------|---|----------------------|------------------------------|---------------------|---|
| MERCEDES | 280 | 72 - 76 | (W114) SEDAN | | | ME005.805 | |
| MERCEDES | A160 | 10/98 - 04/05 | (W168) 4DR HATCH | ME006.101A | | ME006.943 | REAR HEADREST NOT COVERED |
| MERCEDES | A170 | 05/05 - 06/10 | (W169) 4DR HATCH | ME011.102C | | | |
| MERCEDES | A200 | 01/16 - 05/19 | (W176, W177) A200, A200D HATCH | MER1108.146 | | N/A | FRONT DOES NOT ALLOW FOR HOLLOW IN HEADREST & LEG EXTENSION ON BASE. REAR N/A |
| MERCEDES | ACTROS | 01/20 - CURRENT | (963) 2641, 2643, 2651, 2653, 2658 & 2663 TRUCK | MER1477.226 | | | A/O ONLY. GRAMMER MP4 25S1 SEATS |
| MERCEDES | ACTROS | 01/20 - CURRENT | (963) 2641, 2643, 2651, 2653, 2658 & 2663 TRUCK | MER1542.238 | | | A/O ONLY. GRAMMER MP4 25S1 DRIVER SIDE & FOLDING ISRI PASSENGER SIDE |
| MERCEDES | ATEGO | 20 - CURRENT | (967) ALL BADGES TRUCK | MER1567.189 | | MER5419.1160 | A/O ONLY. DRIVER & PASSENGER ISRI 6860-876 WITH UNIVERSAL ARMREST ALLOWANCES. ARMRESTS NOT COVERED. REAR SEAT ARE TWO FOLDABLE ISRI DOUBLE. |
| MERCEDES | B180 | 05/06 - 03/12 | (W245) 4DR HATCH | ME015.102C | | ME015.972 | REAR ARMREST NOT COVERED |
| MERCEDES | B180 | 04/12 - 02/19 | (W246) 4DR HATCH | MER1145.102C | | MER5202.1015 | |
| MERCEDES | B180 | 03/19 - CURRENT | (W247) 4DR HATCH | MER1315.102C | | MER5266.1129 | |
| MERCEDES | B200 | 04/12 - 02/19 | (W246) 4DR HATCH | MER1145.102C | | MER5143.924 | |
| MERCEDES | C200 | 07/07 - 07/14 | (W204) ALL BADGES SEDAN | MER1114.102C | | ME014.903 | REAR ARMREST NOT COVERED |
| MERCEDES | C200 | 05/08 - 08/14 | (S204) ALL BADGES WAGON | MER1114.102C | | | |
| MERCEDES | C200 | 08/14 - 06/18 | (W205) SEDAN | ME026.102C | | N/A | |
| MERCEDES | ECONIC | 24 - CURRENT | GARBAGE TRUCK | MER1522.236 | | | A/O ONLY. DRIVER IS ISRI 6860-876 WITH UNIVERSAL ARMREST ALLOWANCES. ARMRESTS NOT COVERED. |
| MERCEDES | GLB35 | 02/20 - CURRENT | (X247) SUV | MER1627.102C | MER5452.1036 | MER9187.931 | |
| MERCEDES | GLB200 | 08/19 - CURRENT | (X247) SUV | MER1627.102C | MER5452.1036 | MER9187.931 | |
| MERCEDES | GLB250 | 08/19 - CURRENT | (X247) SUV | MER1627.102C | MER5452.1036 | MER9187.931 | |
| MERCEDES | GLE250D | 10/15 - 05/19 | (W166) SUV | ME028.102C | | ME028.1022 | REAR SIDE AIRBAGS |
| MERCEDES | GLE300D | 05/19 - 12/19 | (V167) 4MATIC SUV | MER1310.102C | | MER5259.1036 | |
| MERCEDES | ML250 | 04/12 - 09/15 | (W166) SUV | ME028.102C | | ME028.1022 | REAR SIDE AIRBAGS |
| MERCEDES | ML320 | 09/98 - 04/03 | (W163) LUXURY SUV | ME004.102C | | ME004.912 | |
| MERCEDES | SPRINTER | 02/98 - 10/06 | (200, 300 & 400 SERIES) LWB VAN | ME002.407 | | | |
| MERCEDES | SPRINTER | 10/06 - 01/10 | (315CDI) VAN | ME013.212 | | | |
| MERCEDES | SPRINTER | 10/06 - 01/10 | (315CDI) VAN | ME022.102C | | | |
| MERCEDES | SPRINTER | 10/06 - 01/10 | (515CDI) DUAL CAB | ME017.102C | | ME017.1034 | |
| MERCEDES | SPRINTER | 02/08 - 01/10 | (415CDI) VAN | ME016.102C | | | |
| MERCEDES | SPRINTER | 02/10 - 09/18 | (300, 400, 500CDI SERIES) VAN | MER1150.407 | | | |
| MERCEDES | SPRINTER | 02/10 - 09/18 | (316, 414) TRANSFER BUS | MER1247.161 | MER5226.1115 MER5227.1116 | MER9032.1117 | 4 ROWS |
| MERCEDES | SPRINTER | 02/10 - 09/18 | (300, 400, 500CDI) VAN | ME013.212 | | MER5220.717 | |
| MERCEDES | SPRINTER | 02/10 - 09/18 | (313, 316) VAN | MER1374.107C | | | |
| MERCEDES | SPRINTER | 16 - 09/18 | (313CDI) MWB, LWB VAN | ME022.102C | | | |
| MERCEDES | SPRINTER | 02/18 - CURRENT | V530 DUAL CAB, VAN | MER1083.102C | | MER5451.1058 | 1083 A/O AVAILABLE |
| MERCEDES | SPRINTER | 02/18 - CURRENT | V530 DUAL CAB, VAN | MER1243.107C | | MER5451.1058 | FRONT SUITS SWIVEL SEAT |
| MERCEDES | SPRINTER | 02/18 - CURRENT | V530 VAN | MER1465.407 | | | |
| MERCEDES | SPRINTER | 01/20 - CURRENT | V530 DUAL CAB, VAN | MER1349.176 | | MER5451.1058 | |
| MERCEDES | SPRINTER | 01/22 - CURRENT | V530 12 SEATER VAN | MER1349.176 | MER5326.1145 MER5327.1146 | MER9044.1147 | ROW 1 - 176, Row 2 - 1145, Row 3 - 1146, Row 4 - 1147 |
| MERCEDES | SPRINTER | 01/20 - CURRENT | V530 DUAL CAB, VAN | MER1626.133 | | MER5451.1058 | SEAT EXTENSION ON DRIVER NOT ALLOWED FOR A/O ONLY. FRONT ROW ISRI 6860/870 CUSTOM AND REAR IS AN ISRI CUSTOM |
| MERCEDES | UNIMOG | 20 - CURRENT | (437) U5023 TRUCK | MER1579.162 | | MER5414.1058 | |
| MERCEDES | V CLASS | 07/15 - CURRENT | (447) 8 SEAT WAGON | ME023.107C | MER5152.1049 | MER9019.1050 | |
| MERCEDES | V CLASS | 07/15 - CURRENT | (447) 7 SEAT WAGON | ME023.107C | MER5212.408 | MER9019.1050 | |
| MERCEDES | VALENTE | 07/15 - CURRENT | (447) 116 5 SEAT WAGON | ME023.107C | | MER5152.1049 | |
| MERCEDES | VALENTE | 07/15 - CURRENT | (447) 116 8 SEAT WAGON | ME023.107C | MER5152.1049 | MER9019.1050 | |
| MERCEDES | VITO | 02/98 - 03/04 | (638) 113 VAN | ME007.407 | | | |
| MERCEDES | VITO | 04/04 - 01/11 | (639) 109, 111, 115, 119, 120 VAN | ME009.102C | | ME009.957 | |
| MERCEDES | VITO | 04/04 - 01/11 | (639) 109, 111, 115, 119, 120 VAN | ME012.407 | | | |
| MERCEDES | VITO | 02/11 - 06/15 | (639) 110, 113, 116, 122 VAN | ME018.102C | | | |
| MERCEDES | VITO | 07/15 - 10/20 | (447) 111, 114, 116, 119 VAN | ME027.107 | | | A/O ONLY |

| MAKE | MODEL | YEAR | SERIES & SUB MODEL | Front Pattern Number | Middle Pattern Number | Rear Pattern Number | Notes |
|----------|---------|-----------------|-------------------------------------|----------------------|-----------------------|---------------------|-----------------------------|
| MERCEDES | VITO | 07/15 - 10/20 | (447) 111, 114, 116, 119 VAN | ME024.407 | | | |
| MERCEDES | VITO | 07/15 - 10/20 | (447) 111, 114, 116, 119 VAN | MER1251.102C | | | |
| MERCEDES | VITO | 01/20 - 03/22 | (447) BLUETEC 114, 116, 119 VAN | MER1364.107C | | | |
| MERCEDES | VITO | 01/20 - 03/22 | (447) BLUETEC 116, 119 VAN | MER1368.107C | | | EXTENDABLE SEAT BASE DESIGN |
| MERCEDES | VITO | 01/20 - CURRENT | (447) VS20 - 111, 114, 116, 119 VAN | MER1527.409 | | | |
| MERCEDES | VITO | 01/20 - CURRENT | (447) VS20 - 111, 114, 116, 119 VAN | MER1368.107C | | | EXTENDABLE SEAT BASE DESIGN |
| MERCEDES | VITO | 03/22 - CURRENT | (447) VS20 - 114, 116, 119 VAN | MER1633.133 | | | |
| MERCEDES | X CLASS | 12/17 - CURRENT | (470) ALL BADGES DUAL CAB | ME029.102C | | ME029.998 | |

| MAKE | MODEL | YEAR | SERIES & SUB MODEL | Front Pattern Number | Middle Pattern Number | Rear Pattern Number | Notes |
|-------|-------------|--------------|-------------------------|----------------------|-----------------------|---------------------|----------|
| MERLO | TELEHANDLER | 21 - CURRENT | ALL MODELS, TELEHANDLER | MRL1523.187 | | | A/O ONLY |

| MAKE | MODEL | YEAR | SERIES & SUB MODEL | Front Pattern Number | Middle Pattern Number | Rear Pattern Number | Notes |
|------|-------|-----------------|--|----------------------|-----------------------|---------------------|--|
| MG | GS | 01/17 - 01/20 | (SAS2) CORE, ESSENCE X, EXCITE SUV | MGM1102.102C | | MGM5158.900 | RM1102 - G2B, GBB, GBR, WEB. |
| MG | HS | 10/19 - 03/24 | (SAS23) ESSENCE SUV | MGM1318.140 | | MGM5270.924 | RM5270 - GBR. REAR ARM REST NOT COVERED |
| MG | HS | 10/19 - 03/24 | (SAS23) CORE, EXCITE, VIBE SUV | MGM1379.102C | | MGM5270.924 | RM - GBR. REAR ARM REST NOT COVERED |
| MG | HS | 04/24 - CURRENT | (AS33 - PETROL) ESSENCE, EXCITE, VIBE SUV | MGM1664.102 | | MGM5482.1080 | |
| MG | HS | 06/25 - CURRENT | (AS33H - HYBRID +) ESSENCE, EXCITE SUV | MGM1664.102 | | MGM5482.1080 | |
| MG | HS | 06/25 - CURRENT | (AS33P - SUPER HYBRID) ESSENCE, EXCITE SUV | MGM1664.102 | | MGM5482.1080 | |
| MG | MG3 | 08/18 - 03/24 | ALL BADGES HATCH | MGM1152.102C | | MGM5149.1031 | RM1152 - G2B |
| MG | MG3 | 04/24 - CURRENT | (MY24.5 ONWARDS) ALL BADGES HATCH | MGM1540.102C | | MGM5392.1051 | |
| MG | MG4 | 06/23 - CURRENT | (MEH32) EXCITE HATCH | MGM1552.121C | | MGM5363.1123 | RM5363 - WEB |
| MG | MG4 | 06/23 - CURRENT | (MEH32) ESSENCE, LONG RANGE, X POWER HATCH | MGM1454.121C | | MGM5363.1123 | RM1454 - GBB. RM5363 - WEB |
| MG | MG55 | 03/25 - CURRENT | (ZS3EM) EV ESSENCE SUV | MGM1634.102C | | MGM5467.1165 | |
| MG | MG55 | 03/25 - CURRENT | (ZS3EM) EV EXCITE SUV | MGM1635.102C | | MGM5468.1123 | |
| MG | U9 | 09/25 - CURRENT | EXPLORE, EXPLORE-X DUAL CAB | MGM1599.102C | | MGM5431.888 | AOF AVAILABLE |
| MG | U9 | 09/25 - CURRENT | EXPLORE PRO DUAL CAB | MGM1599.102C | | MGM5426.1120 | AOF AVAILABLE |
| MG | ZS | 11/17 - 05/22 | (AZS1) ALL BADGES SUV | MGM1102.102C | | MGM5100.510 | RM1102 - G2B, GBB, GBR. RM5100 - GBB, GBR. |
| MG | ZS | 06/22 - 12/24 | (AZS1) PETROL - MY22, MY23, MY24 ALL BADGES SUV | MGM1102.102C | | MGM5335.510 | RM1102 - G2B, GBB, GBR. |
| MG | ZS | 09/24 - CURRENT | (ZS32) HYBRID+ ESSENCE, HYBRID + EXCITE, ESSENCE TURBO SUV | MGM1573.102C | | MGM5409.1123 | |
| MG | ZST | 06/20 - CURRENT | (AZS1) ALL BADGES SUV | MGM1102.102C | | MGM5100.510 | RM1102 - G2B, GBB, GBR. RM5100 - GBB, GBR. |

| MAKE | MODEL | YEAR | SERIES & SUB MODEL | Front Pattern Number | Middle Pattern Number | Rear Pattern Number | Notes |
|------|------------|-----------------|---|----------------------|-----------------------|---------------------|--|
| MINI | COOPER | 03/07 - 09/10 | (R56) 2DR HATCH | CE002.102C | | CE001.976 | |
| MINI | COOPER | 04/14 - 06/20 | (F55) ALL BADGES 4DR HATCH | CE003.102C | | CE003.966 | NO LUMBAR ALLOWANCE ON INSIDE OF FRONT SEATS |
| MINI | COOPER | 04/14 - 06/20 | (F55) ALL BADGES 4DR HATCH | MIN1196.102C | | CE003.966 | ROUND ALLOWANCE ON INSIDE OF FRONT SEATS |
| MINI | COOPER | 04/14 - 06/20 | (F56) ALL BADGES 2DR HATCH | MIN1195.102C | | MIN5142.1010 | ROUND ALLOWANCE ON INSIDE OF FRONT SEATS |
| MINI | COOPER | 04/14 - 06/20 | (F56) ALL BADGES 2DR HATCH | MIN1141.102C | | MIN5142.1010 | NO LUMBAR ALLOWANCE ON INSIDE OF FRONT SEATS |
| MINI | COOPER | 11/15 - 06/20 | (F57) ALL BADGES 2DR CONVERTIBLE | MIN1141.102C | | MIN5140.976 | NO LUMBAR ALLOWANCE ON INSIDE OF FRONT SEATS |
| MINI | COOPER | 11/15 - 06/20 | (F57) ALL BADGES 2DR CONVERTIBLE | MIN1195.102C | | MIN5140.976 | ROUND ALLOWANCE ON INSIDE OF FRONT SEATS |
| MINI | COOPER D | 03/07 - 09/10 | (R56) 2DR HATCH | CE002.102C | | CE001.976 | |
| MINI | COOPER D | 11/14 - 05/18 | (F55) ALL BADGES 4DR HATCH | MIN1196.102C | | CE003.966 | ROUND ALLOWANCE ON INSIDE OF FRONT SEATS |
| MINI | COOPER D | 11/14 - 05/18 | (F55) ALL BADGES 4DR HATCH | CE003.102C | | CE003.966 | NO LUMBAR ALLOWANCE ON INSIDE OF FRONT SEATS |
| MINI | COOPER D | 11/14 - 04/18 | (F56) ALL BADGES 2DR HATCH | MIN1195.102C | | MIN5142.1010 | ROUND ALLOWANCE ON INSIDE OF FRONT SEATS |
| MINI | COOPER D | 11/14 - 04/18 | (F56) ALL BADGES 2DR HATCH | MIN1141.102C | | MIN5142.1010 | NO LUMBAR ALLOWANCE ON INSIDE OF FRONT SEATS |
| MINI | COOPER RAY | 04/11 - 03/14 | (R56) 2DR HATCH | MIN1248.102C | | MIN5228.976 | NO LUMBAR ALLOWANCE ON INSIDE OF FRONT SEATS |
| MINI | COOPER S | 05/02 - 02/07 | (R53) ALL BADGES 2DR HATCH | CE001.102C | | CE001.976 | |
| MINI | COOPER S | 04/14 - 03/24 | (F55) ALL BADGES 4DR HATCH | CE003.102C | | CE003.966 | NO LUMBAR ALLOWANCE ON INSIDE OF FRONT SEATS |
| MINI | COOPER S | 04/14 - 03/24 | (F55) ALL BADGES 4DR HATCH | MIN1196.102C | | CE003.966 | ROUND ALLOWANCE ON INSIDE OF FRONT SEATS |
| MINI | COOPER S | 04/14 - 03/21 | (F56) ALL BADGES 2DR HATCH, EXCLUDES JCW | MIN1195.102C | | MIN5142.1010 | ROUND ALLOWANCE ON INSIDE OF FRONT SEATS |
| MINI | COOPER S | 04/14 - 03/21 | (F56) ALL BADGES 2DR HATCH, EXCLUDES JCW | MIN1141.102C | | MIN5142.1010 | NO LUMBAR ALLOWANCE ON INSIDE OF FRONT SEATS |
| MINI | COOPER S | 11/15 - 03/24 | (F54) CLUBMAN 4DR WAGON | MIN1222.102C | | MIN5206.1021 | ROUND ALLOWANCE ON INSIDE OF FRONT SEATS |
| MINI | COOPER S | 11/15 - 03/23 | (F57) ALL BADGES 2DR CONVERTIBLE, EXCLUDES JCW | MIN1195.102C | | MIN5140.976 | ROUND ALLOWANCE ON INSIDE OF FRONT SEATS |
| MINI | COOPER S | 11/15 - 03/23 | (F57) ALL BADGES 2DR CONVERTIBLE, EXCLUDES JCW | MIN1141.102C | | MIN5140.976 | NO LUMBAR ALLOWANCE ON INSIDE OF FRONT SEATS |
| MINI | COOPER SE | 03/20 - 03/24 | (F56) ELECTRIC 2DR HATCH | MIN1195.102C | | MIN5142.1010 | ROUND ALLOWANCE ON INSIDE OF FRONT SEATS |
| MINI | COOPER SE | 03/20 - 03/24 | (F56) ELECTRIC 2DR HATCH | MIN1141.102C | | MIN5142.1010 | NO LUMBAR ALLOWANCE ON INSIDE OF FRONT SEATS |
| MINI | COUNTRYMAN | 02/17 - 06/20 | (F60) COOPER D, COOPER S, COOPER SD 4DR WAGON | MIN1193.102C | | MIN5189.1086 | NO LUMBAR ALLOWANCE ON INSIDE OF FRONT SEATS |
| MINI | COUNTRYMAN | 02/17 - 06/20 | (F60) COOPER 4DR WAGON | MIN1193.102C | | MIN5229.1060 | NO LUMBAR ALLOWANCE ON INSIDE OF FRONT SEATS |
| MINI | COUNTRYMAN | 03/24 - CURRENT | (U25) C FAVOURED, E FAVOURED, JCW ALL 4 CLASSIC, JCW ALL 4 FAVOURED, S ALL 4 FAVOURED, S ALL 4 JCW SPORT, SE ALL 4 FAVOURED SUV | MIN1605.140 | | MIN5434.1064 | |
| MINI | COUNTRYMAN | 03/24 - CURRENT | (U25) C CLASSIC, E CLASSIC, E CORE, S ALL 4 CLASSIC, SE ALL 4 CLASSIC SUV | MIN1610.102C | | MIN5434.1064 | |
| MINI | ONE | 07/14 - 04/17 | (F56) ALL BADGES 2DR HATCH | MIN1195.102C | | MIN5142.1010 | ROUND ALLOWANCE ON INSIDE OF FRONT SEATS |
| MINI | ONE | 07/14 - 04/17 | (F56) ALL BADGES 2DR HATCH | MIN1141.102C | | MIN5142.1010 | NO LUMBAR ALLOWANCE ON INSIDE OF FRONT SEATS |
| MINI | ONE | 06/15 - 04/17 | (F55) ALL BADGES 4DR HATCH | CE003.102C | | CE003.966 | NO LUMBAR ALLOWANCE ON INSIDE OF FRONT SEATS |
| MINI | ONE | 06/15 - 04/17 | (F55) ALL BADGES 4DR HATCH | MIN1196.102C | | CE003.966 | ROUND ALLOWANCE ON INSIDE OF FRONT SEATS |
| MINI | RAY | 08/16 - 07/17 | (F55) ALL BADGES 4DR HATCH | CE003.102C | | CE003.966 | NO LUMBAR ALLOWANCE ON INSIDE OF FRONT SEATS |
| MINI | RAY | 08/16 - 07/17 | (F55) ALL BADGES 4DR HATCH | MIN1196.102C | | CE003.966 | ROUND ALLOWANCE ON INSIDE OF FRONT SEATS |
| MINI | RAY | 08/16 - 07/17 | (F56) ALL BADGES 2DR HATCH | MIN1195.102C | | MIN5142.1010 | ROUND ALLOWANCE ON INSIDE OF FRONT SEATS |
| MINI | RAY | 08/16 - 07/17 | (F56) ALL BADGES 2DR HATCH | MIN1141.102C | | MIN5142.1010 | NO LUMBAR ALLOWANCE ON INSIDE OF FRONT SEATS |




| MAKE | MODEL | YEAR | SERIES & SUB MODEL | Front Pattern Number | Middle Pattern Number | Rear Pattern Number | Notes |
|------------|---------------|-----------------|--|----------------------|-----------------------|---------------------|---|
| MI SUBISHI | 380 | 08/05 - 04/08 | (DB) SX SEDAN | CM300.102C | | CM300.803 | |
| MI SUBISHI | ASX | 07/10 - 07/11 | (XA) ASPIRE SUV | MIT1020.102C | | CM286.1015 | RM1020 - EMB, G2B, GBB, GBR, WEB. PFM |
| MI SUBISHI | ASX | 08/11 - 10/16 | (XA, XB) ALL BADGES SUV | MIT1020.102C | | MIT5019.1024 | RM1020 - EMB, G2B, GBB, GBR, WEB. RM5019 - EMB, G2B, WEB. PFM |
| MI SUBISHI | ASX | 11/16 - 06/25 | (XC, XD) ALL BADGES SUV | MIT1020.102C | | MIT5095.1024 | RM1020- EMB, G2B, GBB, GBR, WEB. RM5095 - G2B, GBB. PFM XC SERIES ONLY UPTO 08/19 |
| MI SUBISHI | ASX | 06/25 - CURRENT | (XE) ASPIRE, EXCEED, LS SUV | MIT1659.102C | | MIT5475.944 | |
| MI SUBISHI | CHALLENGER | 12/97 - 03/07 | (PA) ALL BADGES WAGON | CM200.102 | | CM200.890 | |
| MI SUBISHI | CHALLENGER | 12/09 - 12/15 | (PB, PC) LS WAGON | MIT1611.102C | MIT5291.1022 | MIT9138.931 | MIDDLE ROW ARMREST NOT COVERED |
| MI SUBISHI | CHALLENGER | 12/09 - 12/15 | (PB, PC) LS WAGON | MIT1611.102C | | MIT5291.1022 | REAR ROW ARMREST NOT COVERED |
| MI SUBISHI | COLT | 01/81 - 08/88 | (RC, RD) GL SEDAN | | | CM042.836 | |
| MI SUBISHI | COLT | 01/81 - 08/88 | (RA, RB, RC, RD) GL, GLX, XL HATCH | | | CM047.836 | |
| MI SUBISHI | COLT | 10/82 - 08/88 | (RB, RC) GSR, SE HATCH | | | CM040.807 | |
| MI SUBISHI | COLT | 04/84 - 08/88 | (RC, RD) SE SEDAN | | | CM040.807 | |
| MI SUBISHI | COLT | 09/88 - 06/90 | (RE) GLX HATCH | | | CM046.836 | |
| MI SUBISHI | COLT | 02/04 - 01/13 | (RG) LS HATCH | CM135.102D | | CM135.973 | |
| MI SUBISHI | COLT | 10/05 - 06/09 | (RG) ES HATCH | CM136.101C | | CM136.821 | |
| MI SUBISHI | COLT | 10/05 - 01/13 | (RG) VRX HATCH | CM138.107D | | CM136.821 | FRONT DRIVERS SIDE ARMREST ONLY |
| MI SUBISHI | CORDIA | 04/83 - 10/84 | (AA) ALL BADGES LIFTBACK | CM011.102 | | CM010.806 | |
| MI SUBISHI | CORDIA | 11/84 - 07/89 | GSL, GSR HATCH & LIFTBACK | CM010.101A | | CM010.806 | |
| MI SUBISHI | ECLIPSE CROSS | 12/17 - 10/20 | (YA) BLACK EDITION, ES, EXCEED, LS SUV | MIT1110.102C | | MIT5109.1000 | RM1110 - G2B, GBB, WEB. RM5109 - G2B, GBB |
| MI SUBISHI | ECLIPSE CROSS | 10/20 - CURRENT | (YB) ALL BADGES (EXCLUDING ES) SUV | MIT1110.102C | | MIT5233.1122 | RM1110 - G2B, GBB, WEB. RM5233 - G2B, GBB |
| MI SUBISHI | ECLIPSE CROSS | 10/20 - CURRENT | (YB) ES SUV | MIT1110.102C | | MIT5242.1098 | RM1110 - G2B, GBB, WEB. RM5242 - G2B, GBB |
| MI SUBISHI | EXPRESS | 06/90 - 06/91 | (SG) ALL BADGES VAN | CM064.101A | CM064.702 | | |
| MI SUBISHI | EXPRESS | 03/20 - 05/22 | (SN) GLX VAN (EXCLUDES GLX +) | MIT1143.409 | | | RM - G2B |
| MI SUBISHI | EXPRESS | 10/20 - 05/22 | (SN) GLX+ LWB VAN | MIT1335.414 | | | RM - G2B |
| MI SUBISHI | GALANT | 12/92 - 11/94 | (HJ) V6-24 HATCH | CM124.101B | | CM124.833 | |
| MI SUBISHI | GALANT | 11/88 - 11/92 | (HG, HH) GSR, SE HATCH | CM112.101C | | CM112.833 | |
| MI SUBISHI | GALANT | 06/90 - 11/92 | (HH) SE SEDAN | CM112.101C | | CM113.803 | |
| MI SUBISHI | GRANDIS | 01/04 - 05/10 | (BA) LUXURY WAGON | CM173.107C | CM173.942 | MIT9139.923 | |
| MI SUBISHI | L200 | 10/82 - 87 | (MC, MD) EXPRESS UTE | CM070.203 | | | |
| MI SUBISHI | L300 | 11/81 - 10/86 | (SB,SC,SD,SE) EXPRESS VAN & WAGON | CM060.302 | CM060.703 | MIT9140.702 | |
| MI SUBISHI | L300 | 11/81 - 10/86 | (SB,SC,SD,SE) EXPRESS VAN & WAGON | CM063.101A | CM060.703 | MIT9140.702 | |
| MI SUBISHI | LANCER | 06/88 - 06/92 | (CA, CB) SE HATCH | | | CM106.812 | |
| MI SUBISHI | LANCER | 06/88 - 06/92 | (CA, CB) SX HATCH | CM107.108A | | CM107.503 | |
| MI SUBISHI | LANCER | 06/88 - 06/92 | (CA, CB) GLX, SE SEDAN | CM110.101C | | CM110.862 | |
| MI SUBISHI | LANCER | 06/88 - 06/92 | (CA, CB) GL, GLX HATCH | CM110.101C | | CM111.845 | |
| MI SUBISHI | LANCER | 06/88 - 04/96 | (CA, CB, CC) GL SEDAN | CM110.101C | | CM114.701 | |
| MI SUBISHI | LANCER | 06/92 - 09/03 | (CC, CE) EL, GL WAGON | CM120.110 | | CM120.503 | |
| MI SUBISHI | LANCER | 06/92 - 04/96 | (CC) GL, GLXI HATCH | CM110.101C | | CM111.845 | |
| MI SUBISHI | LANCER | 06/92 - 04/96 | (CC) GL COUPE | CM120.110 | | CM121.702 | |
| MI SUBISHI | LANCER | 06/92 - 04/96 | (CC) GLXI, SEI SEDAN | CM110.101C | | CM110.862 | |
| MI SUBISHI | LANCER | 06/92 - 04/96 | (CC) GL 4DR HATCH | CM122.101C | | CM111.845 | |
| MI SUBISHI | LANCER | 06/92 - 04/96 | (CC) GL SEDAN | CM123.110 | | CM114.701 | |
| MI SUBISHI | LANCER | 95 - 04/96 | (CC) GLXI COUPE | CM110.101C | | CM119.878 | |
| MI SUBISHI | LANCER | 05/96 - 01 | (CE) GLI COUPE | CM131.110 | | CM131.703 | |
| MI SUBISHI | LANCER | 05/96 - 09/03 | (CE) GLI SEDAN | CM110.101C | | CM117.701 | |
| MI SUBISHI | LANCER | 05/96 - 09/03 | (CE) GLXI, MR COUPE | CM132.102 | | CM132.807 | |
| MI SUBISHI | LANCER | 05/96 - 09/03 | (CE) GLXI WAGON | CM132.102 | | CM133.503 | |
| MI SUBISHI | LANCER | 05/96 - 09/03 | (CE) GLXI SEDAN | CM132.102 | | CM190.862 | |
| MI SUBISHI | LANCER | 01 - 09/03 | (CE2) GLI COUPE | CM183.110 | | CM183.702 | |
| MI SUBISHI | LANCER | 06/02 - 08/05 | (CG) VR-X SEDAN | CM181.102C | | CM181.701 | |

| MAKE | MODEL | YEAR | SERIES & SUB MODEL | Front Pattern Number | Middle Pattern Number | Rear Pattern Number | Notes |
|------------|-----------|-----------------|--|----------------------|-----------------------|---------------------|---|
| MITSUBISHI | LANCER | 06/02 - 08/05 | (CG, CH) ES SEDAN | CM181.102C | | CM184.701 | |
| MITSUBISHI | LANCER | 06/02 - 04/06 | (CG, CH) EXCEED, LS SEDAN | CM181.102C | | CM182.847 | |
| MITSUBISHI | LANCER | 09/04 - 09/07 | (CH) ES, VR-X WAGON | CM181.102C | | CM185.950 | |
| MITSUBISHI | LANCER | 08/05 - 09/07 | (CH) VR-X SEDAN | CM186.102A | | CM186.847 | |
| MITSUBISHI | LANCER | 08/05 - 10/16 | (CF, CJ, CH) ES SEDAN | CM187.102C | | CM187.913 | |
| MITSUBISHI | LANCER | 08/07 - 10/16 | (CF, CJ) ACTIV, RALLIART, RX, SX, VR-X SEDAN | CM187.102C | | CM187.913 | |
| MITSUBISHI | LANCER | 08/08 - 02/14 | (CJ) SPORTBACK - ACTIV, ES, LX, RALLIART, SX SPORTBACK HATCH | CM193.102C | | CM193.1024 | |
| MITSUBISHI | LANCER | 10/08 - 10/16 | (CF, CJ) VR-X SPORTBACK HATCH | CM191.102C | | CM191.1024 | |
| MITSUBISHI | LANCER | 09/12 - 08/14 | (CJ) LX SEDAN | CM193.102C | | CM194.924 | |
| MITSUBISHI | LANCER | 03/14 - 01/19 | (CF, CJ) BLACK EDITION, ES SPORT, GSR SEDAN | CM193.102C | | CM194.924 | |
| MITSUBISHI | MAGNA | 07/85 - 06/87 | (TM) ELITE, SE SEDAN | CM020.101A | | CM021.803 | |
| MITSUBISHI | MAGNA | 07/85 - 06/89 | (TM, TN) EXECUTIVE, GLX SEDAN | CM020.101A | | | |
| MITSUBISHI | MAGNA | 07/87 - 06/89 | (TN) ELANTE, ELITE, SE SEDAN | CM020.101A | | CM026.801 | |
| MITSUBISHI | MAGNA | 07/87 - 06/89 | (TN) EXECUTIVE, GLX WAGON | CM020.101A | | CM024.836 | |
| MITSUBISHI | MAGNA | 07/87 - 06/89 | (TN) ELITE, SE WAGON | CM020.101A | | CM025.834 | |
| MITSUBISHI | MAGNA | 07/89 - 06/91 | (TP) EXECUTIVE SEDAN | CM026.101B | | | |
| MITSUBISHI | MAGNA | 07/89 - 06/91 | (TP) ELANTE, ELITE, SE SEDAN | CM026.101B | | CM026.801 | |
| MITSUBISHI | MAGNA | 07/89 - 04/91 | (TP) EXECUTIVE, GLX WAGON | CM026.101B | | CM024.836 | |
| MITSUBISHI | MAGNA | 07/89 - 06/92 | (TP) ELITE, SE WAGON | CM026.101B | | CM025.834 | |
| MITSUBISHI | MAGNA | 04/91 - 03/96 | (TR, TS) EXECUTIVE SEDAN | CM031.101B | | CM038.803 | |
| MITSUBISHI | MAGNA | 04/91 - 12/96 | (TR, TS) EXECUTIVE WAGON | CM031.101B | | CM033.836 | |
| MITSUBISHI | MAGNA | 02/96 - 05/97 | (TE, TF) ADVANCE SEDAN | CM038.101C | | CM039.803 | |
| MITSUBISHI | MAGNA | 11/96 - 05/97 | (TE) EXECUTIVE WAGON | CM038.101C | | CM151.702 | |
| MITSUBISHI | MAGNA | 02/96 - 01/99 | (TE, TF) ALTERA SEDAN | CM039.102 | | CM039.803 | |
| MITSUBISHI | MAGNA | 02/96 - 05/03 | (TH, TJ) ADVANCE, (TE, TJ) EXECUTIVE SEDAN | CM038.101C | | CM038.803 | |
| MITSUBISHI | MAGNA | 05/97 - 01/99 | (TF) ADVANCE, EXECUTIVE, SOLARA WAGON | CM038.101C | | CM152.701 | |
| MITSUBISHI | MAGNA | 06/97 - 01/99 | (TF) ADVANCE SEDAN | CM037.102C | | CM038.803 | |
| MITSUBISHI | MAGNA | 02/99 - 08/01 | (TH, TJ) ADVANCE, ALTERA, SOLARA WAGON | CM038.101C | | CM156.803 | |
| MITSUBISHI | MAGNA | 02/99 - 05/03 | (TH, TJ) EXECUTIVE WAGON | CM038.101C | | CM155.805 | |
| MITSUBISHI | MAGNA | 06/03 - 07/05 | (TL, TW) ES, LS SEDAN | CM038.101C | | CM158.803 | |
| MITSUBISHI | MAGNA | 06/03 - 07/05 | (TL, TW) ES, LS WAGON | CM038.101C | | CM157.803 | |
| MITSUBISHI | MIRAGE | 04/96 - 09/04 | (CE) ALL BADGES 2DR HATCH | CM131.110 | | CM160.806 | |
| MITSUBISHI | MIRAGE | 01/13 - 10/21 | (LA, LB) ALL BADGES HATCH | CM161.101C | | CM161.896 | |
| MITSUBISHI | MIRAGE | 07/14 - 08/17 | (LA) ALL BADGES SEDAN | CM161.101C | | CM161.896 | |
| MITSUBISHI | NIMBUS | 05/84 - 08/87 | (UA, UB) GLX WAGON | CM080.101A | CM080.821 | MIT9141.821 | |
| MITSUBISHI | NIMBUS | 07/87 - 06/92 | (UC, UF) GLX WAGON | CM080.101A | CM080.821 | MIT9142.827 | |
| MITSUBISHI | NIMBUS | 02/92 - 07/98 | (UF) GLX WAGON | CM082.102A | CM082.857 | MIT9143.858 | |
| MITSUBISHI | NIMBUS | 07/98 - 10/03 | (UG) GLX WAGON | CM083.102A | CM083.857 | MIT9144.709 | |
| MITSUBISHI | OUTLANDER | 12/02 - 09/06 | (ZE, ZF) LS, VR, VRX, XLS SUV | CM013.118C | | CM013.924 | |
| MITSUBISHI | OUTLANDER | 10/06 - 10/07 | (ZG, ZH) LS, VR SUV | CM015.118A | | CM013.924 | |
| MITSUBISHI | OUTLANDER | 10/06 - 10/12 | (ZG, ZH) VRX, XLS SUV | CM017.102C | | MIT5292.1000 | ARMREST NOT COVERED |
| MITSUBISHI | OUTLANDER | 10/06 - 10/12 | (ZG, ZH) LS, VR, VRX, XLS 7 SEAT SUV | CM017.102C | MIT5292.1000 | MIT9145.1004 | MIDDLE ARMREST NOT COVERED |
| MITSUBISHI | OUTLANDER | 11/07 - 10/12 | (ZG, ZH) LS, VR SUV | CM017.102C | | MIT5292.1000 | ARMREST NOT COVERED |
| MITSUBISHI | OUTLANDER | 11/12 - 11/17 | (ZJ, ZK) ES, LS, XLS 5 SEAT SUV | MIT1017.102C | | MIT5016.528 | RM1017 - EMB, G2B, WEB. RM5016 - EMB, G2B, GBB, WEB |
| MITSUBISHI | OUTLANDER | 11/12 - 11/17 | (ZJ, ZK) ASPIRE, ES, EXCEED, LS, XLS 7 SEAT SUV | MIT1017.102C | MIT5016.528 | MIT9025.931 | RM1017 - EMB, G2B, WEB. RM5016 - EMB, G2B, GBB, WEB. RM9025 - G2B |
| MITSUBISHI | OUTLANDER | 11/17 - 07/21 | (ZL) ES, ES ADAS, LS 5 SEAT SUV | MIT1149.101C | | MIT5016.528 | RM1149 - G2B, GBB. RM5016 - EMB, G2B, GBB, WEB |
| MITSUBISHI | OUTLANDER | 11/17 - 07/21 | (ZL) ES, EXCEED, LS 7 SEAT SUV | MIT1149.101C | MIT5016.528 | MIT9025.931 | RM1149 - G2B, GBB. RM5016 - EMB, G2B, GBB, WEB. RM9025 - G2B |
| MITSUBISHI | OUTLANDER | 08/21 - CURRENT | (ZM) PETROL & PHEV - ASPIRE, ES 5 SEAT SUV | MIT1328.102C | | MIT5275.1131 | RM1328 - EMB, G2B, GBB, TRB, WEB. RM5275 - GBB |
| MITSUBISHI | OUTLANDER | 08/21 - CURRENT | (ZM) PETROL - ASPIRE, EXCEED, EXCEED TOURER, LS 7 SEAT SUV | MIT1328.102C | MIT5274.1007 | MIT9039.1130 | RM1328 - EMB, G2B, GBB, TRB, WEB. RM5274 - EMB, GBB, TRB, WEB. RM9039 - GBB |
| MITSUBISHI | OUTLANDER | 02/22 - CURRENT | (ZM) PHEV - EXCEED, EXCEED TOURER, GSR 7 SEAT SUV | MIT1328.102C | MIT5274.1007 | MIT9051.1154 | RM1328 - EMB, G2B, GBB, TRB, WEB. RM5274 - EMB, GBB, TRB, WEB |

| MAKE | MODEL | YEAR | SERIES & SUB MODEL | Front Pattern Number | Middle Pattern Number | Rear Pattern Number | Notes |
|------------|--------------|---------------|--|----------------------|-----------------------|---------------------|---|
| MITSUBISHI | PAJERO | 08/84 - 07/89 | (NB, NF) LWB COMMERCIAL SUV | CM050.102 | CM057.702 | MIT9146.503 | |
| MITSUBISHI | PAJERO | 07/86 - 12/90 | (ND, NE, NF, NG) SUPERWAGON 7 SEAT SUV | CM051.101A | CM051.830 | MIT9146.503 | |
| MITSUBISHI | PAJERO | 07/87 - 07/88 | (ND, NE) SWB STANDARD 4 SEAT SUV | CM050.102 | | CM050.703 | |
| MITSUBISHI | PAJERO | 07/87 - 07/88 | (NE) LWB STD 7 SEAT SUV | CM050.102 | CM052.830 | MIT9146.503 | |
| MITSUBISHI | PAJERO | 07/88 - 07/89 | (NF) EXE TURBO 7 SEAT SUV | CM051.101A | CM051.830 | MIT9146.503 | |
| MITSUBISHI | PAJERO | 07/88 - 91 | (NF, NG) EXE TURBO 5 SEAT SUV | CM051.101A | | CM053.704 | |
| MITSUBISHI | PAJERO | 08/89 - 91 | (NG) EXE TURBO 7 SEAT SUV | CM051.101A | CM055.704 | MIT9146.503 | |
| MITSUBISHI | PAJERO | 01/91 - 05/97 | (NH, NJ, NK) LWB GLX SUV | CM075.102C | CM075.830 | MIT9147.503 | |
| MITSUBISHI | PAJERO | 01/91 - 05/97 | (NH, NJ, NK) LWB GLS SUV | CM076.107A | CM076.843 | MIT9148.503 | |
| MITSUBISHI | PAJERO | 01/91 - 05/97 | (NH, NJ, NK) LWB GL, GLX SUV | CM075.102C | | CM079.704 | |
| MITSUBISHI | PAJERO | 01/91 - 05/97 | OPTIONAL EXTRA REAR SEAT | | | CM078.703 | |
| MITSUBISHI | PAJERO | 01/91 - 05/97 | (NH, NJ, NK) SWB GLS HARDTOP | CM059.102A | CM059.702 | MIT9149.812 | |
| MITSUBISHI | PAJERO | 06/97 - 08/99 | (NL) LWB GLS SUV | CM076.107A | CM141.812 | MIT9148.503 | |
| MITSUBISHI | PAJERO | 06/97 - 06/00 | (NL) ESCAPE, GLX SUV | CM142.102C | CM075.830 | MIT9147.503 | |
| MITSUBISHI | PAJERO | 99 - 06/00 | (NL) EXCEED, GLS SUV | CM076.107A | CM141.812 | MIT9150.709 | |
| MITSUBISHI | PAJERO | 02/00 - 09/02 | (NM) GLX 4WD SUV | CM212.102 | CM212.936 | MIT9151.703 | |
| MITSUBISHI | PAJERO | 02/00 - 09/02 | (NM) GLS 4WD SUV | CM213.102A | CM213.719 | MIT9151.703 | |
| MITSUBISHI | PAJERO | 10/02 - 09/06 | (NP) EXCEED, GL, GLS, GLX, VRX 7 SEAT SUV | CM214.102A | CM214.954 | MIT9152.953 | |
| MITSUBISHI | PAJERO | 10/06 - 12/08 | (NS) EXCEED, GLX, VRX 7 SEAT SUV | CM216.102C | MIT5041.1003 | MIT9004.1004 | RM5041 - G2B, GBB, WEB. RM9004 - G2B, WEB |
| MITSUBISHI | PAJERO | 10/06 - 01/10 | (NS, NT) R, X SWB 2DR SUV | CM217.102C | | CM217.928 | |
| MITSUBISHI | PAJERO | 01/09 - 14 | (NT, NW) ALL BADGES (EXCLUDING EXCEED, GLS, VR-X) 7 SEAT SUV | MIT1018.102C | MIT5041.1003 | MIT9004.1004 | RM1018 & 5041 - G2B, GBB, WEB. RM9004 - G2B, WEB |
| MITSUBISHI | PAJERO | 14 - 03/21 | (NX) GLX 7 SEAT SUV | MIT1018.102C | MIT5041.1003 | MIT9004.1004 | RM1018 & 5041 - G2B, GBB, WEB. RM9004 - G2B, WEB |
| MITSUBISHI | PAJERO | 01/09 - 03/21 | (NT, NW, NX) GL, GLX, GLX5, GLX-R 5 SEAT SUV | MIT1018.102C | | MIT5041.1003 | RM - G2B, GBB, WEB |
| MITSUBISHI | PAJERO | 01/09 - 03/21 | (NT, NW, NX) EXCEED, GLS, VR-X 7 SEAT SUV | MIT1381.102C | MIT5041.1003 | MIT9004.1004 | RM1381 - GBB. RM5041 - G2B, GBB, WEB. RM9004 - G2B, WEB |
| MITSUBISHI | PAJERO IO | 01/99 - 08/02 | (QA) SUNDOWNER 2DR SUV | CM210.101C | | CM210.708 | |
| MITSUBISHI | PAJERO IO | 01/99 - 08/02 | (QA) SUNDOWNER 4DR SUV | CM210.101C | | CM211.708 | |
| MITSUBISHI | PAJERO SPORT | 01/15 - 2019 | (QE) GLX, GLS, EXCEED 5 SEAT SUV | MIT1046.102C | | MIT5049.1022 | RM - G2B, GBB, WEB. AOF AVAILABLE 1046 |
| MITSUBISHI | PAJERO SPORT | 01/15 - 2019 | (QE) GLS, EXCEED 7 SEAT SUV | MIT1046.102C | MIT5049.1022 | MIT9011.931 | RM1046 & RM5049 - G2B, GBB, WEB. AOF AVAILABLE 1046 |
| MITSUBISHI | PAJERO SPORT | 19 - 20 | (QF) EXCEED, GLS, GLX 5 SEAT SUV | MIT1046.102C | | MIT5191.1022 | RM1046 - G2B, GBB, WEB. RM5191 - G2B, GBB, TRB. FRONT LUMBER ALLOWANCE. DRINK HOLDER ON 2ND ROW EJECTS. AOF AVAILABLE |
| MITSUBISHI | PAJERO SPORT | 19 - 20 | (QF) GLS 7 SEAT SUV | MIT1046.102C | MIT5191.1022 | MIT9011.931 | RM1046 - G2B, GBB, WEB. RM5191 - G2B, GBB, TRB. DRINK HOLDER ON 2ND ROW EJECTS. AOF AVAILABLE 1046 & 5191 |
| MITSUBISHI | PAJERO SPORT | 19 - CURRENT | (QF, QG) EXCEED, GSR 7 SEAT SUV | MIT1046.102C | MIT5191.1022 | MIT9011.931 | RM1046 - G2B, GBB, WEB. RM5191 - G2B, GBB, TRB. DRINK HOLDER ON 2ND ROW EJECTS. AOF AVAILABLE 1046 & 5191 |
| MITSUBISHI | PAJERO SPORT | 20 - CURRENT | (QF, QG) GLX 5 SEAT SUV | MIT1267.102C | | MIT5191.1022 | RM1267 - GBB, TRB. RM5191 - G2B, GBB, TRB. FRONT LUMBER ALLOWANCE. DRINK HOLDER ON 2ND ROW EJECTS. AOF AVAILABLE 5191 |
| MITSUBISHI | PAJERO SPORT | 20 - CURRENT | (QF, QG) GLS 7 SEAT SUV | MIT1267.102C | MIT5191.1022 | MIT9011.931 | RM1267 - GBB, TRB. RM5191 - G2B, GBB, TRB. FRONT LUMBER ALLOWANCE. DRINK HOLDER ON 2ND ROW EJECTS. AOF AVAILABLE 5191 |
| MITSUBISHI | SIGMA | 09/78 - 04/82 | (GE, GH) GL, SE WAGON | | | CM002.702 | |
| MITSUBISHI | SIGMA | 11/80 - 09/85 | (GJ, GK) SCORPION COUPE | CM030.105 | | CM030.811 | |
| MITSUBISHI | SIGMA | 03/82 - 11/85 | (GJ, GK) SE SEDAN | | | CM001.801 | |
| MITSUBISHI | SIGMA | 03/82 - 09/85 | (GJ, GK) GL, SE, XL WAGON | | | CM003.702 | |
| MITSUBISHI | SIGMA | 07/85 - 12/87 | (GN) GL WAGON | | | CM004.807 | |
| MITSUBISHI | STARWAGON | 08/86 - 06/91 | (SF, SG) GL, GLX WAGON | CM065.101A | CM065.941 | MIT9153.704 | FRONT ROW HEADREST NOT COVERED |
| MITSUBISHI | STARWAGON | 08/86 - 06/91 | (SF, SG) SE WAGON | CM066.101A | CM065.941 | MIT9154.801 | |
| MITSUBISHI | STARWAGON | 07/91 - 05/94 | (SH) GL VAN | CM065.101A | CM065.941 | MIT9155.704 | FRONT ROW HEADREST NOT COVERED |
| MITSUBISHI | STARWAGON | 07/91 - 05/94 | (SH) GLX WAGON | CM069.101C | CM069.940 | MIT9156.507 | |
| MITSUBISHI | STARWAGON | 06/94 - 09/03 | (WA) GL, GLX WAGON | CM071.101A | CM071.941 | MIT9157.709 | |
| MITSUBISHI | STARWAGON | 06/94 - 07/96 | (WA) GLS MWB WAGON | CM072.101C | CM072.940 | MIT9157.709 | |
| MITSUBISHI | TRITON | 06/88 - 10/96 | (MF, MG, MH, MJ) SINGLE CAB BENCH SEAT | CM090.202 | | | |
| MITSUBISHI | TRITON | 06/90 - 05/92 | (MH) DUAL CAB | CM091.102A | | CM091.701 | |
| MITSUBISHI | TRITON | 06/92 - 10/96 | (MJ) DUAL CAB | CM091.102A | | CM092.859 | |
| MITSUBISHI | TRITON | 06/92 - 10/96 | (MJ) SINGLE CAB BUCKET & 3/4 | CM093.401 | | | |

| MAKE | MODEL | YEAR | SERIES & SUB MODEL | Front Pattern Number | Middle Pattern Number | Rear Pattern Number | Notes |
|------------|--------|-----------------|--|----------------------|-----------------------|---------------------|--|
| MITSUBISHI | TRITON | 06/96 - 98 | (MK) GLX DUAL CAB | CM091.102A | | CM094.704 | |
| MITSUBISHI | TRITON | 06/96 - 98 | (MK) GLS DUAL CAB | CM091.102A | | CM098.801 | |
| MITSUBISHI | TRITON | 06/96 - 08/06 | (MK) GL, GLX SINGLE CAB BUCKET & 3/4 | CM093.401 | | | TWO S/BELT ALLOW ON BASE |
| MITSUBISHI | TRITON | 10/96 - 02 | (MK) GLX CLUB CAB | CM097.102C | | | |
| MITSUBISHI | TRITON | 11/96 - 98 | (MK) GL, GLX SINGLE CAB BUCKET SEATS | CM091.102A | | | |
| MITSUBISHI | TRITON | 11/96 - 08/06 | (MK) GL, GLX SINGLE CAB BENCH SEAT | CM090.202 | | | |
| MITSUBISHI | TRITON | 99 - 02 | (MK) GLX DUAL CAB | CM097.102C | | CM094.704 | |
| MITSUBISHI | TRITON | 99 - 02 | (MK) GLS, GLX-R DUAL CAB | CM097.102C | | CM098.801 | |
| MITSUBISHI | TRITON | 99 - 08/06 | (MK) GL, GLX SINGLE CAB BUCKET SEATS | CM097.102C | | | |
| MITSUBISHI | TRITON | 06/00 - 08/06 | (MK) GL, GLX SINGLE CAB BUCKET & 3/4 | CM099.401 | | | |
| MITSUBISHI | TRITON | 03 - 05/05 | (MK) GLX CLUB CAB | CM086.102C | | | |
| MITSUBISHI | TRITON | 02/03 - 08/06 | (MK) GLS, GLX-R DUAL CAB | CM086.102C | | CM086.801 | |
| MITSUBISHI | TRITON | 02/03 - 08/06 | (MK) GLX DUAL CAB | CM086.102C | | CM087.704 | |
| MITSUBISHI | TRITON | 07/06 - 07/09 | (ML) GL, GLX SINGLE CAB BUCKET SEATS | CM205.102C | | | |
| MITSUBISHI | TRITON | 07/06 - 07/09 | (ML) GLS, GLX-R, VR DUAL CAB | CM205.102C | | MIT5017.903 | RM5017 - TRG. AO AVAILABLE 5017. |
| MITSUBISHI | TRITON | 07/06 - 11/12 | (ML, MN) GL-R, GLX, GLX-R DUAL CAB | CM205.102C | | CM205.704 | |
| MITSUBISHI | TRITON | 07/06 - 04/15 | (ML, MN) GL, GLX SINGLE CAB BUCKET & 3/4 | MIT1612.401 | | | |
| MITSUBISHI | TRITON | 07/08 - 04/15 | (MN) GL, GLX CLUB SINGLE CAB | CM231.102C | | | |
| MITSUBISHI | TRITON | 08/09 - 11/12 | (MN) GLX SINGLE CAB BUCKET SEATS | CM205.102C | | | |
| MITSUBISHI | TRITON | 08/09 - 11/12 | (MN) GL-R, GLX, GLX-R DUAL CAB | CM205.102C | | MIT5017.903 | RM5017 - TRG. AO AVAILABLE 5017. |
| MITSUBISHI | TRITON | 12/12 - 04/15 | (MN) GLX SINGLE CAB BUCKET SEATS | MIT1054.102C | | | RM- G2B, TRB, TRG. AO AVAILABLE. |
| MITSUBISHI | TRITON | 12/12 - 04/15 | (MN) GLX, GL-R, GLX-R DUAL CAB | MIT1054.102C | | MIT5017.903 | RM1054 - G2B, TRB, TRG. RM5017 - TRG. AO AVAILABLE. |
| MITSUBISHI | TRITON | 05/15 - 12/23 | (MQ, MR) GLX SINGLE CAB | MIT1497.102C | | | RM - TRB |
| MITSUBISHI | TRITON | 05/15 - 12/23 | (MQ, MR) GLX CLUB CAB | MIT1016.102C | | MIT5110.1062 | RM1016 - G2B, GBB, STC, TRB, TRG, WEB. AOF AVAILABLE 1016. CC05 - ANB & STC |
| MITSUBISHI | TRITON | 05/15 - 12/23 | (MQ, MR) EXCEED, GLS PREMIUM, GSR DUAL CAB | MIT1174.102C | | MIT5018.903 | RM1174 - G2B. RM5018 - G2B, GBB, STC, TRB, TRG. AOF AVAILABLE. PFM |
| MITSUBISHI | TRITON | 05/15 - 12/23 | (MQ, MR) GLS, GLS BLACKLINE, GLX, GLX+, GLX ADAS, GLX-R DUAL CAB | MIT1016.102C | | MIT5018.903 | RM1016 - G2B, GBB, STC, TRB, TRG, WEB. RM5018 - G2B, GBB, STC, TRB, TRG. AOF AVAILABLE. PFM. CC05 - ANB & STC |
| MITSUBISHI | TRITON | 12/23 - CURRENT | (MV) ALL BADGES DUAL CAB | MIT1471.121C | | MIT5368.945 | RM1471 - GBB, STB, STC, TRB, TRG. RM5368 - GBB, STB, TRB, TRG. AOF AVAILABLE. PFM. CC14 - ANB & STC |
| MITSUBISHI | VERADA | 07/91 - 03/94 | (KR) ALL BADGES SEDAN | CM029.111 | | CM029.841 | |
| MITSUBISHI | VERADA | 07/91 - 03/94 | (KR) ALL BADGES WAGON | CM029.111 | | CM034.834 | |
| MITSUBISHI | VERADA | 03/94 - 07/05 | (KE, KF, KH, KJ, KL, KS, KW) ALL BADGES SEDAN | CM038.101C | | CM036.841 | |
| MITSUBISHI | VERADA | 06/97 - 06/00 | (KF, KH) WAGON | CM039.102 | | CM153.801 | |
| MITSUBISHI | VERADA | 06/97 - 06/00 | (KF, KH) WAGON | CM154.102 | | CM039.803 | |

| MAKE | MODEL | YEAR | SERIES & SUB MODEL | Front Pattern Number | Middle Pattern Number | Rear Pattern Number | Notes |
|-----------------|----------|-----------------|--|----------------------|------------------------------|---------------------|--|
| mitsubishi fuso | CANTER | 08/95 - 09/08 | (FE, FG) 600 SERIES WIDE CAB TRUCK | CM105.303 | | CM223.1037 | |
| mitsubishi fuso | CANTER | 97 - 02 | (FE) 537 NARROW CAB TRUCK | MIT1256.303 | | | |
| mitsubishi fuso | CANTER | 04 - 10 | (FE) 2.5, 3.5, 4.5 NARROW SINGLE CAB TRUCK AND TIPPER | CM280.304 | | | |
| mitsubishi fuso | CANTER | 04 - 10 | (FE) 2.0, 3.5, 4.5 WIDE SINGLE CAB TRUCK AND TIPPER | MIT1502.304 | | | |
| mitsubishi fuso | CANTER | 08/08 - 10/11 | (FE, FG) 800 SERIES WIDE CAB TRUCK | MIT1502.304 | | CM223.1037 | |
| mitsubishi fuso | CANTER | 06/11 - 10/16 | (FG) 615, 715, 815 WIDE CAB TRUCK | CM225.126 | | CM225.865 | FRONT A/O AVAILABLE. REAR A/O ONLY |
| mitsubishi fuso | CANTER | 06/11 - 10/16 | (FE) 413, 515, 516, 616 CITY NARROW CAB TRUCK | CM221.126 | | | A/O AVAILABLE |
| mitsubishi fuso | CANTER | 11/11 - CURRENT | (FE) 615, 616, 715, 815, 816, 918 WIDE 2DR TRUCK | MIT1333.136 | | | RM1333 - CVC. A/O AVAILABLE. FRONT CONVERTED FROM CM244. |
| mitsubishi fuso | CANTER | 10/16 - CURRENT | (FE) 515 CITY NARROW CREW CAB TRUCK | MIT1412.136 | | MIT5393.704 | RM1412 - CVC. FRONT A/O AVAILABLE. REAR A/O ONLY |
| mitsubishi fuso | CANTER | 10/16 - CURRENT | (FE) 413, 515, 516, 616 CITY NARROW TRUCK | MIT1412.136 | | | RM1412 - CVC. A/O AVAILABLE. FRONT CONVERTED FROM CM243. |
| mitsubishi fuso | CANTER | 10/16 - CURRENT | (FG) 515, 715, 716 WIDE 2DR & 4DR TRUCK | MIT1333.136 | | CM225.865 | RM1333 - CVC. FRONT A/O AVAILABLE. FRONT CONVERTED FROM CM244. REAR A/O ONLY |
| mitsubishi fuso | CANTER | 10/16 - CURRENT | NARROW & WIDE CAB TRUCK - DRIVER SIDE ONLY | MIT1398.196 | | | A/O ONLY |
| mitsubishi fuso | FIGHTER | 11/07 - 04/11 | (FK, FM, FN) ALL BADGES TRUCK | CM247.402 | | | |
| mitsubishi fuso | FIGHTER | 05/11 - CURRENT | (FK, FM, FN) ALL BADGES TRUCK | MIT1291.402 | | | RM1291 - CVC. A/O AVAILABLE. FRONT CONVERTED FROM CM226. |
| mitsubishi fuso | ROSA BUS | 08 - CURRENT | (BE) DELUXE 25 SEAT (9 ROWS) | MIT1095.145 | MIT5092.1083 MIT5093.1084 | MIT9010.1085 | RM1095 -CVC. A/O ONLY. ROW 1 =1095, ROW 2 =5092, ROW 3-8 =5093, ROW 9 =9010 |
| mitsubishi fuso | ROSA BUS | 08 - CURRENT | (BE) DELUXE 22 SEAT (8 ROWS) | MIT1095.145 | MIT5092.1083 MIT5093.1084 | MIT9010.1085 | RM1095 -CVC. A/O ONLY. ROW 1 =1095, ROW 2 =5092, ROW 3-7 =5093, ROW 8 =9010 |
| mitsubishi fuso | SHOGUN | 11 - CURRENT | (FP, FS, FV, SHOGUN) HEAVY DUTY 2 SEAT SINGLE CAB TRUCK | CM227.110 | | | A/O ONLY |
| mitsubishi fuso | SHOGUN | 11 - CURRENT | (FP, FS, FV, SHOGUN) HEAVY DUTY 3 SEAT SINGLE CAB TRUCK | CM228.400 | | | A/O ONLY |
| mitsubishi fuso | SHOGUN | 01/19 - CURRENT | (400) - FV74, FS72, FS76 & (460) - FS72, FS76 3 SEAT HEAVY TRUCK | MIT1405.215 | | | A/O ONLY |
| mitsubishi fuso | SHOGUN | 01/19 - CURRENT | (FP, FS, FU, FV) 2 SEAT SINGLE CAB TRUCK | MIT1142.148 | | | RM1142 - CVC. A/O ONLY |
| mitsubishi fuso | SHOGUN | 26 - CURRENT | (FP, FS, FU, FV) 2 SEAT SINGLE CAB TRUCK | MIT1660.256 | | | AOF ONLY. ISRI 6860/885 NTS1 DRIVER |

| MAKE | MODEL | YEAR | SERIES & SUB MODEL | Front Pattern Number | Middle Pattern Number | Rear Pattern Number | Notes |
|-------------|--------------|--------------|--|----------------------|--|---------------------|----------|
| NEW HOLLAND | POSI TRACK | 22 - CURRENT | POSI COMPACT TRACK LOADER RANGE - C327, C332, C338 | NHO1636.244 |  | | AOF ONLY |
| NEW HOLLAND | SKID STEER | 22 - CURRENT | SKID STEER LOADER RANGE - L313, L315, L318, L320, L325, L330 | NHO1636.244 |  | | AOF ONLY |
| NEW HOLLAND | WHEEL LOADER | 22 - CURRENT | WHEEL LOADER RANGE - W11D, W130D, W170D, W190D | NHO1637.197 |  | | AOF ONLY |

| MAKE | MODEL | YEAR | SERIES & SUB MODEL | Front Pattern Number | Middle Pattern Number | Rear Pattern Number | Notes |
|--------|----------|-----------------|--|----------------------|-----------------------|---------------------|----------------------------|
| NISSAN | 720 | 79 - 08/85 | (720) 2DR UTE | CD132.201 | | | |
| NISSAN | 720 | 79 - 86 | (720) 4DR UTE | CD091.208 | | | |
| NISSAN | 200SX | 10/94 - 12/03 | (S14, S15) 2DR COUPE | CD180.102C | | CD180.826 | |
| NISSAN | 280C | 77 - 84 | (330, 430) SEDAN | | | CD130.802 | |
| NISSAN | 370Z | 05/09 - 05/22 | (Z34) 2 DR CONVERTIBLE & COUPE (EXCLUDING NISMO) | NIS1273.159 | | | |
| NISSAN | ALMERA | 08/12 - 07/14 | (N17) ST SEDAN | CD193.102C | | CD193.802 | |
| NISSAN | ALMERA | 08/12 - 07/14 | (N17) TI SEDAN | CD193.102C | | CD194.841 | ARMREST NOT COVERED |
| NISSAN | BLUEBIRD | 05/81 - 06/86 | (U11, 910) GL SEDAN | | | CD001.701 | |
| NISSAN | BLUEBIRD | 05/81 - 06/86 | (U11, 910) GX, LX, TRX SEDAN | | | CD003.803 | |
| NISSAN | BLUEBIRD | 05/81 - 06/86 | (U11, 910) VENTURER SEDAN | | | CD004.805 | |
| NISSAN | BLUEBIRD | 05/81 - 05/90 | (U11, 910) WAGON | | | CD002.701 | |
| NISSAN | BLUEBIRD | 08/93 - 12/97 | SSS SEDAN | CD006.111 | | CD005.803 | |
| NISSAN | BLUEBIRD | 10/93 - 12/97 | (U13) LX, TI SEDAN | CD005.102C | | CD005.803 | |
| NISSAN | CABSTAR | 05/89 - 06/92 | (H40) DUAL CAB COMMERCIAL TRUCK | CD128.301 | | CD128.701 | |
| NISSAN | CARAVAN | 08/80 - 08/90 | (E23, E24) SGL PEOPLE MOVER | CD040.402 | CD040.504 | NIS9159.704 | |
| NISSAN | CARAVAN | 08/80 - 09/86 | (E23) COMMERCIAL VAN | CD042.402 | | | |
| NISSAN | CARAVAN | 09/86 - 08/90 | (E24) COMMERCIAL VAN | CD084.304 | | | |
| NISSAN | CARAVAN | 08/90 - 05/97 | (E24) COMMERCIAL VAN | CD084.304 | | | |
| NISSAN | DUALIS | 12/07 - 01/16 | (J10) TI, TI-L WAGON | CD227.102C | | CD227.1024 | |
| NISSAN | DUALIS | 12/07 - 01/16 | (J10) ST, TS WAGON | CD227.102C | | CD228.896 | |
| NISSAN | DUALIS | 12/07 - 01/16 | (J10) +2Ti, +2ST, +2Ti-L WAGON | CD227.102C | CD230.1006 | | REAR NOT COVERED |
| NISSAN | JUKE | 01/12 - 01/20 | (F15) ST SUV | CD233.102C | | CD233.1015 | |
| NISSAN | JUKE | 02/20 - CURRENT | (F16) ST, ST+, ST-L SUV | NIS1432.110 | | NIS5342.944 | |
| NISSAN | JUKE | 02/20 - CURRENT | (F16) TI SUV | NIS1433.110 | | NIS5342.944 | |
| NISSAN | LEAF | 10/17 - CURRENT | (ZE1) ALL BADGES HATCH | NIS1275.102C | | NIS5239.1123 | |
| NISSAN | MAXIMA | 08/88 - 12/94 | (J30) ALL BADGES SEDAN | CD031.101 | | CD031.803 | |
| NISSAN | MAXIMA | 02/95 - 12/99 | (A32) ALL BADGES SEDAN | CD034.102 | | CD031.803 | |
| NISSAN | MAXIMA | 12/99 - 11/03 | (A33) ALL BADGES SEDAN | CD035.102 | | CD035.913 | |
| NISSAN | MICRA | 05/95 - 12/97 | (K11) LX 2DR HATCH | CD170.101C | | CD170.703 | |
| NISSAN | MICRA | 05/95 - 12/97 | (K11) SLX HATCH | CD171.101C | | CD171.508 | |
| NISSAN | MICRA | 01/04 - 09/10 | (K12) HATCH | CD172.133 | | CD172.1010 | |
| NISSAN | MICRA | 10/10 - 01/13 | (K13) ST, ST-L HATCH | CD173.102C | | CD173.1010 | |
| NISSAN | MICRA | 10/10 - 12/17 | (K13) TI HATCH | CD234.133 | | CD173.1010 | |
| NISSAN | MICRA | 01/13 - 12/17 | (K13) ST, ST-L HATCH | CD234.133 | | CD173.1010 | |
| NISSAN | MURANO | 08/05 - 01/16 | (Z50, Z51) ST SUV | CD215.102E | | CD215.1001 | |
| NISSAN | MURANO | 08/05 - 01/16 | (Z50, Z51) TI SUV | CD216.101C | | CD215.1001 | |
| NISSAN | NAVARA | 86 - 05/92 | (D21) STANDARD 4X2 DUAL CAB | CD097.202 | | CD092.704 | |
| NISSAN | NAVARA | 86 - 05/92 | (D21) STANDARD SINGLE CAB | CD099.207 | | | NO CUT OUT |
| NISSAN | NAVARA | 86 - 05/92 | (D21) DELUXE 4x2, 4x4 DUAL CAB | CD092.210 | | CD092.704 | |
| NISSAN | NAVARA | 86 - 05/92 | (D21) KINGSCAB DX 4WD | CD092.210 | | | |
| NISSAN | NAVARA | 86 - 05/92 | (D21) KINGSCAB DX 2WD | CD214.202 | | | FRONT CONVERTED FROM CD094 |
| NISSAN | NAVARA | 86 - 05/92 | (D21) DX 2WD DUAL CAB | | | CD131.801 | |
| NISSAN | NAVARA | 86 - 02/97 | (D21) 4WD DELUXE | CD092.210 | | | |
| NISSAN | NAVARA | 89 - 02/97 | (D21) NUGGET SINGLE CAB | CD092.210 | | | |
| NISSAN | NAVARA | 06/92 - 02/97 | (D21, D22) STANDARD SINGLE CAB | CD097.202 | | | |
| NISSAN | NAVARA | 06/92 - 02/97 | (D21) DX DUAL CAB | CD133.101C | | CD131.801 | |
| NISSAN | NAVARA | 06/92 - 02/97 | (D21) DX, TI DUAL CAB | CD134.101A | | CD131.801 | FRONT HEADREST NOT COVERED |
| NISSAN | NAVARA | 03/97 - 12/01 | (D22) DX DUAL CAB | CD137.102D | | CD124.701 | |
| NISSAN | NAVARA | 03/97 - 10/15 | (D22) DX SINGLE CAB BUCKET SEATS | CD124.102D | | | |
| NISSAN | NAVARA | 03/97 - 10/15 | (D22) DX SINGLE CAB 4 X 4, BENCH SEAT | NIS1501.210 | | | |

| MAKE | MODEL | YEAR | SERIES & SUB MODEL | Front Pattern Number | Middle Pattern Number | Rear Pattern Number | Notes |
|--------|------------|-----------------|--|----------------------|-----------------------|---------------------|--|
| NISSAN | NAVARA | 03/97 - 10/15 | (D22) DX SINGLE CAB 2 X 4, BENCH SEAT | CD214.202 | | | |
| NISSAN | NAVARA | 12/01 - 12/05 | (D22) DX DUAL CAB | CD137.102D | | CD137.704 | |
| NISSAN | NAVARA | 12/01 - 10/15 | (D22) ST-R DUAL CAB | CD129.102D | | CD129.704 | |
| NISSAN | NAVARA | 12/05 - 08/07 | (D40) ST-X DUAL CAB | CD126.102C | | CD126.502 | |
| NISSAN | NAVARA | 12/05 - 01/08 | (D22) DX DUAL CAB | CD124.102D | | CD124.701 | |
| NISSAN | NAVARA | 12/05 - 02/09 | (D40) RX DUAL CAB | NIS1175.102C | | NIS5169.977 | RM - G2B |
| NISSAN | NAVARA | 09/07 - 15 | (D40) ST-X, STX550 DUAL CAB | NIS1197.102C | | NIS5169.977 | RM - G2B. FRONT HAS 2 ROUND CUTOUTS ON SKIRT. |
| NISSAN | NAVARA | 03/08 - 10/15 | (D40) RX, ST-X KING CAB | NIS1175.102C | | CD210.1030 | RM1175 - G2B |
| NISSAN | NAVARA | 08/09 - 10/11 | (D40) ST DUAL CAB | CD211.102C | | CD211.704 | |
| NISSAN | NAVARA | 03/09 - 15 | (D40) RX, RX SILVERLINE DUAL CAB | CD211.102C | | CD211.704 | |
| NISSAN | NAVARA | 11/11 - 15 | (D40) ST DUAL CAB | NIS1010.102C | | NIS5006.977 | RM1010 - G2B, TRG. RM5006 - G2B, TRG. AO AVAILABLE |
| NISSAN | NAVARA | 12/11 - 02/15 | (D40) SERIES 5 STX550 DUAL CAB | NIS1197.102C | | CD126.502 | RM1197 - G2B. FRONT HAS 2 ROUND CUTOUTS ON SKIRT. |
| NISSAN | NAVARA | 05/15 - 10/17 | (D23, NP300) SERIES 1 & 2 DX, RX, ST, ST-X DUAL CAB | NIS1011.102C | | NIS5007.704 | RM1011 - G2B, GBB, TRB, TRG. RM5007 - TRB, TRG. AO AVAILABLE. PFM |
| NISSAN | NAVARA | 11/15 - 01/26 | (D23, NP300) SERIES 1, 2, 3, 4 & 5 ALL BADGES KING CAB | NIS1011.102C | | NPR | RM1011 - G2B, GBB, TRB, TRG. AO AVAILABLE. |
| NISSAN | NAVARA | 11/15 - 01/26 | (D23, NP300) SERIES 1, 2, 3, 4 & 5 ALL BADGES SINGLE CAB | NIS1011.102C | | | RM1011 - G2B, GBB, TRB, TRG. AO AVAILABLE. |
| NISSAN | NAVARA | 11/17 - 12/20 | (D23, NP300) SERIES 3 & 4 RX, SL, ST, ST-X DUAL CAB | NIS1011.102C | | NIS5073.704 | RM1011 - G2B, GBB, TRB, TRG. RM5073 - G2B, TRB, TRG. AO AVAILABLE. PFM |
| NISSAN | NAVARA | 12/20 - 01/26 | (D23, NP300) SERIES 5 ALL BADGES DUAL CAB | NIS1011.102C | | NIS5234.945 | RM1011 - G2B, GBB, TRB, TRG. RM5234 - GBB, TRB. AO AVAILABLE. PFM |
| NISSAN | NAVARA | 02/26 - CURRENT | (D27) MY26 ALL BADGES DUAL CAB | NIS1471.121C | | NIS5368.945 | RM1471 - GBB, STB, STC, TRB, TRG. RM5368 - GBB, STB, TRB, TRG. AOF AVAILABLE. PFM. CC14 - ANB & STC |
| NISSAN | NOMAD | 12/86 - 10/92 | (C22) ALL BADGES WAGON | CD120.102 | CD120.505 | NIS9160.704 | |
| NISSAN | PATHFINDER | 12/86 - 88 | (D21) 4WD SUV | CD110.101C | | CD110.704 | |
| NISSAN | PATHFINDER | 88 - 09/92 | (D21) 4WD SUV | CD110.101C | | CD111.709 | |
| NISSAN | PATHFINDER | 10/92 - 11/95 | (D21) TI SUV | CD112.102 | | CD112.863 | |
| NISSAN | PATHFINDER | 10/92 - 11/95 | (D21) ST SUV | CD112.102 | | CD113.865 | |
| NISSAN | PATHFINDER | 11/95 - 06/05 | (R50) ST, TI 4WD SUV | CD114.111 | | CD114.514 | |
| NISSAN | PATHFINDER | 07/05 - 09/13 | (R51) ST, ST-L, TI 4X4 SUV (EXCLUDING TI550) | CD115.102 | CD115.980 | NIS9161.931 | |
| NISSAN | PATHFINDER | 10/13 - 01/21 | (R52) ST, ST-L SUV | NIS1043.102C | NIS5045.1007 | NIS9162.1053 | RM1043 - EMB, G2B, WEB. RM5045 - EMB, G2B |
| NISSAN | PATHFINDER | 10/13 - 01/21 | (R52) TI SUV | NPR | NIS5045.1007 | NIS9162.1053 | RM5045 - EMB, G2B |
| NISSAN | PATHFINDER | 07/22 - CURRENT | (R53) ST, ST-L, TI 8 SEAT SUV | NIS1444.102C | NIS5352.979 | NIS9048.1015 | |
| NISSAN | PATHFINDER | 07/22 - CURRENT | (R53) TI-L 7 SEAT SUV | NIS1444.102C | NIS5353.527 | NIS9048.1015 | |
| NISSAN | PATROL | 80 - 11/83 | (MQ) 4WD SINGLE CAB | CD064.301 | | | |
| NISSAN | PATROL | 81 - 12/87 | (MQ) SWB 4WD STD 4 SEAT SUV | CD061.101C | | CD061.703 | |
| NISSAN | PATROL | 81 - 12/87 | (MQ) LWB 7 SEAT SUV | CD061.101C | CD062.501 | NIS9163.703 | |
| NISSAN | PATROL | 81 - 12/87 | (MQ) SWB 5 SEAT SUV | | | CD063.702 | |
| NISSAN | PATROL | 81 - 12/87 | (MQ) LWB 6 SEAT SUV | CD065.301 | | CD065.701 | |
| NISSAN | PATROL | 09/84 - 87 | (MQ) 4WD DIESEL SINGLE CAB | CD061.101C | | | |
| NISSAN | PATROL | 02/88 - 91 | (GQ) DX, ST HARD TOP 5 SEAT | CD067.101 | | CD067.702 | |
| NISSAN | PATROL | 02/88 - 02/92 | (GQ) DX 6 SEAT SUV | CD069.401 | | CD069.702 | |
| NISSAN | PATROL | 02/88 - 02/92 | (GQ) ST 7 SEAT SUV | CD067.101 | CD075.503 | NIS9093.703 | |
| NISSAN | PATROL | 02/88 - 02/92 | (GQ) ST 4WD 7 SEAT SUV | CD067.101 | CD076.709 | NIS9093.703 | |
| NISSAN | PATROL | 02/88 - 02/92 | (GQ) 4WD 5 SEAT SUV | CD067.101 | | CD077.704 | |
| NISSAN | PATROL | 02/88 - 04/99 | (GQ) SINGLE CAB | CD069.401 | | | |
| NISSAN | PATROL | 92 - 12/95 | (GQ) DX, ST HARD TOP | CD067.101 | | CD077.704 | |
| NISSAN | PATROL | 09/92 - 12/97 | (GQ) TI LWB 7 SEAT SUV | CD078.101A | CD078.709 | NIS9093.703 | |
| NISSAN | PATROL | 09/92 - 12/97 | (GQ) TI LWB 7 SEAT SUV | CD079.102B | CD079.709 | NIS9164.704 | LEATHER SEATS |
| NISSAN | PATROL | 02/92 - 12/97 | (GQ) 5 SEAT SUV | CD067.101 | | CD081.701 | |
| NISSAN | PATROL | 02/92 - 12/97 | (GQ) RX, ST 7 SEAT SUV | CD082.102B | CD079.709 | NIS9165.704 | |
| NISSAN | PATROL | 02/92 - 04/99 | (GQ) SINGLE CAB | CD067.101 | | | |
| NISSAN | PATROL | 11/97 - 02/00 | (GU) ST, TI 7 SEAT SUV | CD083.102B | NIS5380.842 | NIS9166.709 | RM5380 - GBB |
| NISSAN | PATROL | 11/97 - 09/04 | (GU) DX, DX5 5 SEAT SUV | CD074.102D | | CD074.937 | |
| NISSAN | PATROL | 05/99 - 09/07 | (GU, Y61) DX UTE | NIS1503.401 | | | |

| MAKE | MODEL | YEAR | SERIES & SUB MODEL | Front Pattern Number | Middle Pattern Number | Rear Pattern Number | Notes |
|--------|---------|-----------------|--|----------------------|-----------------------|---------------------|--|
| NISSAN | PATROL | 05/99 - 10/17 | (GU, Y61) ST UTE | CD200.102B | | | |
| NISSAN | PATROL | 03/00 - 09/04 | (GU) ST, TI SUV | CD202.102 | NIS5380.842 | NIS9166.709 | RM5380 - GBB |
| NISSAN | PATROL | 10/04 - 10/17 | (GU, Y61) ST 7 SEAT SUV | NIS1009.102C | NIS5039.842 | NIS9001.709D | RM1009 & RM5039 - G2B, TRG. RM9001 - TRG. SECOND ROW ARMRESTS COVERED & ALLOW FOR CUP HOLDER. AO AVAILABLE. |
| NISSAN | PATROL | 10/04 - 10/17 | (GU, Y61) DX, WALKABOUT 5 SEAT SUV | CD220.102D | | CD220.865 | |
| NISSAN | PATROL | 10/04 - 10/17 | (GU, Y61) ST-S, ST-L, TI 7 SEAT SUV | CD221.102C | NIS5039.842 | NIS9001.709D | RM5039 - G2B, TRG. RM9001 - TRG. SECOND ROW ARMRESTS COVERED & ALLOW FOR CUP HOLDER. AO AVAILABLE 5039 & 9001. |
| NISSAN | PATROL | 10/07 - 10/17 | (GU, Y61) DX, ST UTE | CD204.401B | | | |
| NISSAN | PATROL | 02/13 - CURRENT | (Y62) ST-L, TI, WARRIOR 8 SEAT SUV | NIS1495.102C | NIS5376.518 | NIS9167.981 | RM1495 - GBB. RM5376 - G2B, GBB |
| NISSAN | PATROL | 02/13 - CURRENT | (Y62) TI-L SUV | NIS1529.102C | NIS5376.518 | NIS9167.981 | RM5376 - G2B, GBB. INCLUDES DVD ALLOWANCE |
| NISSAN | PINTARA | 06/86 - 11/89 | (R31) GX, GXE SEDAN | CD101.101 | | CD101.804 | |
| NISSAN | PINTARA | 06/86 - 12/90 | (R31) GX, GXE, GLI, EXECUTIVE WAGON | CD100.101 | | CD100.814 | |
| NISSAN | PINTARA | 11/89 - 01/92 | (U12) TI, TRX SEDAN | CD103.108A | | CD103.847 | |
| NISSAN | PINTARA | 11/89 - 10/92 | T SEDAN | | | CD102.831 | |
| NISSAN | PINTARA | 11/89 - 10/92 | (U12) GLI SEDAN | CD106.101A | | CD106.701 | SEAT BELT THROUGH BASE |
| NISSAN | PINTARA | 11/90 - 10/92 | (U12) GLI, T, EXECUTIVE HATCH | | | CD104.846 | |
| NISSAN | PINTARA | 11/90 - 10/92 | (U12) TI SUPER HATCH | | | CD105.847 | |
| NISSAN | PRAIRIE | 08/82 - 09/88 | (M10) WAGON | CD070.101C | CD070.501 | NIS9168.701 | |
| NISSAN | PULSAR | 10/81 - 07/87 | (N12) ALL BADGES 4DR HATCH | | | CD012.806 | |
| NISSAN | PULSAR | 10/83 - 12/86 | (N12) EXA COUPE | | | CD015.702 | |
| NISSAN | PULSAR | 04/86 - 88 | (N13) ALL BADGES SEDAN | | | CD018.808 | |
| NISSAN | PULSAR | 01/87 - 91 | (N13) EXA COUPE | CD016.108 | | CD016.701 | COVER AS MOULDED |
| NISSAN | PULSAR | 07/87 - 09/91 | (N13, N14) ALL BADGES 4DR HATCH | | | CD017.829 | |
| NISSAN | PULSAR | 88 - 09/91 | (N13) ALL BADGES SEDAN | | | CD019.829 | |
| NISSAN | PULSAR | 06/89 - 09/91 | (N13) GL HATCH | CD144.111 | | CD144.829 | |
| NISSAN | PULSAR | 90 - 90 | (N13) REEBOK LIMITED EDITION 4DR HATCH | CD143.108 | | CD143.808 | |
| NISSAN | PULSAR | 08/90 - 05/93 | (N14) ALL BADGES SEDAN | CD144.111 | | CD147.509 | |
| NISSAN | PULSAR | 10/91 - 12/92 | (N14) GLI SEDAN | CD144.111 | | CD144.829 | |
| NISSAN | PULSAR | 10/91 - 09/95 | (N13, N14) Q HATCH | CD144.111 | | CD146.508 | |
| NISSAN | PULSAR | 10/91 - 09/95 | (N14) TI, LX SEDAN | | | CD150.808 | |
| NISSAN | PULSAR | 10/91 - 09/95 | (N14) LX, SOLAIRE HATCH | | | CD146.508 | |
| NISSAN | PULSAR | 10/91 - 09/95 | (N14) TI, SSS HATCH | CD144.111 | | CD147.509 | |
| NISSAN | PULSAR | 10/95 - 09/00 | (N15) LX, PLUS SEDAN | CD153.102C | | CD153.829 | |
| NISSAN | PULSAR | 10/95 - 09/00 | (N15) Q, SSS 4DR HATCH | CD154.102 | | CD154.509 | |
| NISSAN | PULSAR | 10/95 - 09/00 | (N15) LX HATCH | CD154.102 | | CD155.508 | |
| NISSAN | PULSAR | 10/95 - 09/00 | (N15) SLX SEDAN | CD153.102C | | CD156.871 | |
| NISSAN | PULSAR | 07/99 - 01/06 | (N16) Q, TI SEDAN | CD157.102C | | CD157.803 | |
| NISSAN | PULSAR | 07/99 - 01/06 | (N16) LX, ST, ST-L SEDAN | CD157.102C | | CD158.701 | |
| NISSAN | PULSAR | 06/01 - 01/06 | (N16) Q, ST HATCH | CD159.101A | | CD159.887 | |
| NISSAN | PULSAR | 06/01 - 01/06 | (N16 SERIES 2) Q, ST HATCH | CD163.102C | | CD163.896 | |
| NISSAN | PULSAR | 11/12 - 05/18 | (B17) ST SEDAN | CD175.102C | | CD175.903 | |
| NISSAN | PULSAR | 06/13 - 05/18 | (C12) ST 4DR HATCH | CD175.102C | | CD176.1015 | |
| NISSAN | PULSAR | 06/13 - 05/18 | (C12) ST-L, ST-S, SSS 4DR HATCH | CD175.102C | | CD177.924 | |
| NISSAN | QASHQAI | 07/14 - 11/17 | (J11 SERIES 1) TI, TS, TL SUV | CD225.102C | | CD225.1024 | |
| NISSAN | QASHQAI | 07/14 - 06/22 | (J11) ST, ST+ SUV | NIS1047.102C | | NIS5050.966 | RM - G2B, WEB |
| NISSAN | QASHQAI | 12/17 - 06/22 | (J11 SERIES2) TI SUV | CD236.105 | | CD225.1024 | |
| NISSAN | QASHQAI | 12/17 - 06/22 | (J11) N-TEC, ST-L SUV | CD237.105 | | CD225.1024 | |
| NISSAN | QASHQAI | 06/22 - CURRENT | (J12) ST, ST+, ST-L, TI COUPE | NIS1425.105 | | NIS5339.1104 | |
| NISSAN | SERENA | 92 - 05/99 | (C23) ST, TI VAN | CD160.101 | CD160.709 | NIS9169.709 | |
| NISSAN | SKYLINE | 08/81 - 08/95 | (R30) HATCH | | | CD020.707 | |

| MAKE | MODEL | YEAR | SERIES & SUB MODEL | Front Pattern Number | Middle Pattern Number | Rear Pattern Number | Notes |
|--------|---------|-----------------|--|----------------------|-----------------------|---------------------|--|
| NISSAN | SKYLINE | 08/85 - 12/90 | (R31) ALL BADGES SEDAN | | | CD021.804 | |
| NISSAN | SKYLINE | 08/85 - 12/90 | (R31) GX, GXE WAGON | CD024.101 | | CD024.814 | |
| NISSAN | TERRANO | 09/95 - 06/00 | (R20, R50) 4WD WAGON | CD190.102C | CD190.709 | NIS9170.703 | |
| NISSAN | TIIDA | 02/06 - 04/13 | (C11) ST-L HATCH | CD164.102C | | CD166.874 | |
| NISSAN | TIIDA | 02/06 - 04/13 | (C11) Q HATCH | CD164.102C | | CD168.1002 | |
| NISSAN | TIIDA | 02/06 - 04/13 | (C11) ST HATCH | CD164.102C | | CD167.996 | |
| NISSAN | TIIDA | 02/06 - 01/13 | (C11) ST-L SEDAN | CD164.102C | | CD165.986 | |
| NISSAN | TIIDA | 02/06 - 01/13 | (C11) ST SEDAN | CD164.102C | | CD164.701 | |
| NISSAN | UD | 01/19 - CURRENT | CRONER TRUCK | NIS1354.178 | | | AOF ONLY |
| NISSAN | UD | 01/19 - CURRENT | QUON TRUCK | NIS1353.177 | | | AOF ONLY |
| NISSAN | URVAN | 74 - 80 | (E20) COMMERCIAL VAN | CD050.302 | | | |
| NISSAN | URVAN | 81 - 86 | (E23) STUBBI COMMERCIAL VAN | CD042.402 | | | |
| NISSAN | URVAN | 09/82 - 08/90 | (E23, E24) SGL PEOPLE MOVER, MINIBUS | CD040.402 | CD040.504 | NIS9159.704 | |
| NISSAN | URVAN | 09/86 - 91 | (E24) COMMERCIAL VAN | CD084.304 | | | |
| NISSAN | URVAN | 91 - 05/97 | (E24) COMMERCIAL VAN | CD044.304 | | | |
| NISSAN | UTE | 07/88 - 09/92 | (XFN) CENTREFOLD | CD142.205B | | | |
| NISSAN | VANETTE | 80 - 11/88 | (C120) COMMERCIAL VAN | CD088.303 | CD088.705 | | |
| NISSAN | VANETTE | 05/86 - 03/93 | (C22) LARGO VAN | CD084.304 | CD084.702 | | |
| NISSAN | VANETTE | 05/86 - 03/93 | (C22) LARGO VAN | CD086.110 | | | |
| NISSAN | VANETTE | 05/86 - 03/93 | (C22) COMMERCIAL VAN | CD087.110 | | CD087.802 | |
| NISSAN | X-TRAIL | 10/00 - 03 | (T30 SERIES 1) ST, ST-R, TI SUV | CD184.102A | | CD184.509 | FABRIC SEATS |
| NISSAN | X-TRAIL | 10/00 - 03 | (T30 SERIES 1) TI LUXURY SUV | CD184.102A | | CD185.921 | LEATHER SEATS |
| NISSAN | X-TRAIL | 03 - 09/07 | (T30 SERIES 2) ST, ST-X, ST-S, TI, TI-L SUV | CD187.102A | | CD187.912 | REAR ARM REST NOT COVERED |
| NISSAN | X-TRAIL | 10/07 - 02/14 | (T31) ST, ST-L, TL, TS, TI SUV | CD188.102A | | CD188.1007 | |
| NISSAN | X-TRAIL | 03/14 - 08/22 | (T32) ST, ST-L, TI, TL, TS 5 SEAT SUV | NIS1008.102C | | NIS5005.1007 | RM - EMB, G2B, GBB, WEB. PFM |
| NISSAN | X-TRAIL | 03/14 - 08/22 | (T32) ST, ST-L 7 SEAT SUV | NIS1008.102C | NIS5005.1007 | NIS9171.931 | RM1008 & RM5005 - EMB, G2B, GBB, WEB. PFM CD192.931 |
| NISSAN | X-TRAIL | 08/22 - CURRENT | (T33) ST-L, ST-L EPOWER, TI, TI EPOWER, TI-L, TI-L EPOWER 5 SEAT SUV | NIS1397.102C | | NIS5323.1007 | RM1397 - G2B, GBB, WEB. RM5323 - GBB |
| NISSAN | X-TRAIL | 08/22 - CURRENT | (T33) ST 5 SEAT SUV | NIS1397.102C | | NIS5365.1104 | RM1397 - G2B, GBB, WEB |
| NISSAN | X-TRAIL | 08/22 - CURRENT | (T33) ST, ST-L 4X4 7 SEAT SUV | NIS1397.102C | NIS5323.1007 | NIS9045.931 | RM1397 - G2B, GBB, WEB. RM5323 - GBB |

| MAKE | MODEL | YEAR | SERIES & SUB MODEL | Front Pattern Number | Middle Pattern Number | Rear Pattern Number | Notes |
|---------|---------|-----------------|----------------------------------|----------------------|-----------------------|---------------------|-------|
| PEUGEOT | 206 | 09/99 - 05 | XT 4DR HATCH | PE002.102C | | PE002.910 | |
| PEUGEOT | 206 | 05 - 06/07 | HATCH | PE004.102C | | PE004.978 | |
| PEUGEOT | 207 | 02/07 - 09/12 | XT HDI WAGON | PE008.102C | | PE008.991 | |
| PEUGEOT | 307 | 04 - 06/08 | XS, XSE HDI TOURING WAGON | PE003.107C | | PE003.912 | |
| PEUGEOT | 307 | 10/05 - 06/09 | CC DYNAMIC CONVERTIBLE | PE006.102C | | PE006.704 | |
| PEUGEOT | 308 | 02/08 - 07/11 | HDI 4DR HATCH | PE010.102C | | PE010.1000 | |
| PEUGEOT | 308 | 08/10 - 09/14 | ACTIVE TOURING 7 SEAT WAGON | PE014.102C | PE014.990 | PEU9171.931 | |
| PEUGEOT | 407 | 02/05 - 06/11 | SEDAN | PE005.102C | | PE005.978 | |
| PEUGEOT | 3008 | 07/17 - CURRENT | (P84) GT, GT LINE, GT SPORT SUV | PEU1104.121 | | PEU5102.987 | |
| PEUGEOT | 5008 | 01/18 - CURRENT | (P87) ALL BADGES, 7 SEAT SUV | PEU1388.121C | PEU5144.1092 | PEU9042.931 | |
| PEUGEOT | EXPERT | 08/08 - 03/15 | HDI - PROFESSIONAL, LWB, SWB VAN | PE009.407 | | | |
| PEUGEOT | EXPERT | 07/18 - 08/21 | HDI - 115, 150, 180 VAN | PEU1214.127 | | | |
| PEUGEOT | EXPERT | 08/21 - CURRENT | (KO) CITY, PRO, SPORT VAN | PEU1355.176 | | | |
| PEUGEOT | PARTNER | 05/21 - CURRENT | (K9) PREMIUM, PRO VAN | PEU1448.313 | | | |

| MAKE | MODEL | YEAR | SERIES & SUB MODEL | Front Pattern Number | Middle Pattern Number | Rear Pattern Number | Notes |
|----------|-------|-----------------|--------------------|----------------------|-----------------------|---------------------|-------|
| POLESTAR | 2 | 11/21 - CURRENT | ALL BADGES HATCH | POL1126.102D | | POL5121.1032 | |

| MAKE | MODEL | YEAR | SERIES & SUB MODEL | Front Pattern Number | Middle Pattern Number | Rear Pattern Number | Notes |
|--------|---------|---------------|-----------------------|----------------------|-----------------------|---------------------|-------|
| PROTON | EXORA | 10/13 - 12/16 | (FZ) GXR WAGON | CP013.107 | CP013.972 | PRO9172.503 | |
| PROTON | GEN 2 | 10/04 - 11/14 | (CM) L LINE HATCH | CP009.140 | | CP009.975 | |
| PROTON | PERSONA | 11/96 - 11/00 | GLI, XLI HATCH | CP001.101C | | CP003.807 | |
| PROTON | PERSONA | 11/00 - 10/04 | 4DR HATCH | CP007.102C | | CP007.807 | |
| PROTON | PERSONA | 03/08 - 11/14 | ELEGANCE, G, GX SEDAN | CP011.102C | | CP011.975 | |
| PROTON | S16 | 10/09 - 11/14 | (BT) SEDAN | CP012.102C | | CP012.802 | |
| PROTON | SATRIA | 02/97 - 09/99 | GL, GLI 2DR HATCH | CP002.101 | | CP002.802 | |
| PROTON | SATRIA | 02/97 - 01/05 | (C90) XLI HATCH | | | CP006.503 | |
| PROTON | SATRIA | 09/99 - 01/05 | GLI, GLI 2DR HATCH | CP005.102 | | CP005.709 | |
| PROTON | WIRA | 95 - 96 | XLI HATCH | CP001.101C | | CP001.872 | |
| PROTON | WIRA | 95 - 96 | XLI SEDAN | CP004.102 | | CP004.862 | |

| MAKE | MODEL | YEAR | SERIES & SUB MODEL | Front Pattern Number | Middle Pattern Number | Rear Pattern Number | Notes |
|------|-------|-----------------|---|----------------------|-----------------------|---------------------|---|
| RAM | 1500 | 06/18 - CURRENT | (1500) EXPRESS, WARLOCK DUAL CAB | RAM1061.101 | | RAM5057.1078 | RM1061 - GBB, TRB. RM5057 - GBB, TRB, TRG |
| RAM | 1500 | 06/18 - CURRENT | (1500) EXPRESS 6 SEAT DUAL CAB | RAM1059.305 | | RAM5057.1078 | RM1059 - GBB. RM5057 - GBB, TRB, TRG |
| RAM | 1500 | 20 - CURRENT | (1500) WARLOCK DUAL CAB | RAM1061.101 | | RAM5058.1001 | RM1061 - GBB, TRB. RM5058 - G2B |
| RAM | 1500 | 06/18 - 03/21 | (1500) LARAMIE 5 SEAT DUAL CAB | RAM1062.111 | | RAM5058.1001 | RM - G2B. REAR BASE HAS CUT OUT AT CENTRE SEAT, REFER TO IMAGE 1001 |
| RAM | 1500 | 06/21 - CURRENT | (1500) BIG HORN MHEV 5 SEAT MEGA DUAL CAB | RAM1513.111 | | RAM5383.529 | |
| RAM | 1500 | 06/21 - CURRENT | (1500) BIG HORN MHEV 6 SEAT MEGA DUAL CAB | RAM1640.254 | | RAM5383.529 | CONSOLE & DRINK HOLDERS ON TOP OF FRONT FOLDING CENTRE BACKREST NOT ALLOWED FOR |
| RAM | 1500 | 08/21 - CURRENT | (1500) LARAMIE, LIMITED & TRX DUAL CAB | RAM1362.121 | | RAM5313.1141 | |
| RAM | 2500 | 06/18 - 03/21 | (2500) LARAMIE 5 SEAT DUAL CAB | RAM1062.111 | | RAM5058.1001 | RM - G2B. REAR BASE HAS CUT OUT AT CENTRE SEAT, REFER TO IMAGE 1001 |
| RAM | 2500 | 06/18 - 03/21 | (2500) LARAMIE 6 SEAT DUAL CAB | RAM1060.141 | | RAM5058.1001 | RM5058 - G2B. REAR BASE HAS CUT OUT AT CENTRE SEAT, REFER TO IMAGE 1001 |
| RAM | 3500 | 06/18 - 03/21 | (3500) LARAMIE 5 SEAT DUAL CAB | RAM1062.111 | | RAM5058.1001 | RM - G2B. REAR BASE HAS CUT OUT AT CENTRE SEAT, REFER TO IMAGE 1001 |
| RAM | 3500 | 06/18 - 03/21 | (3500) LARAMIE 6 SEAT DUAL CAB | RAM1060.141 | | RAM5058.1001 | RM5058 - G2B. REAR BASE HAS CUT OUT AT CENTRE SEAT, REFER TO IMAGE 1001 |

| MAKE | MODEL | YEAR | SERIES & SUB MODEL | Front Pattern Number | Middle Pattern Number | Rear Pattern Number | Notes |
|---------|--------|-----------------|--|----------------------|-----------------------|---------------------|--|
| RENAULT | CAPTUR | 02/15 - 09/17 | (J87) DYNAMIQUE, EXPRESSION SUV | REN1314.111 | | REN5265.966 | |
| RENAULT | CAPTUR | 02/18 - 10/20 | (J87) ALL BADGES SUV | REN1314.111 | | REN5265.966 | |
| RENAULT | CAPTUR | 02/21 - CURRENT | (XJB) ALL BADGES SUV | REN1323.102D | | REN5273.985 | |
| RENAULT | KANGOO | 12/10 - 02/22 | (X61) VAN | RE001.102C | | | TO SUIT REMOVABLE HEADRESTS |
| RENAULT | KANGOO | 03/24 - CURRENT | (KFK, XFK) L1 SWB & L2 LWB VAN | REN1548.102C | | | AOF AVAILABLE |
| RENAULT | KOLEOS | 09/08 - 08/16 | (H45) ALL BADGES SUV WITH TRAY ALLOWANCE ON BACK OF FRONT SEATS | REN1089.102C | | REN5087.1022 | TRAY ALLOWANCE ON BACK OF FRONT SEATS. REAR ARM REST NOT COVERED |
| RENAULT | KOLEOS | 09/08 - 08/16 | (H45) ALL BADGES SUV WITHOUT TRAY ALLOWANCE ON BACK OF FRONT SEATS | REN1228.102C | | REN5087.1022 | REAR ARM REST NOT COVERED |
| RENAULT | KOLEOS | 08/16 - 10/20 | (HZG) INTENS SUV | RE007.102C | | RE007.995 | |
| RENAULT | KOLEOS | 03/23 - 09/23 | (HZG) ICONIC SUV | RE007.102C | | RE007.995 | |
| RENAULT | MASTER | 09/13 - 01/15 | (X62) LWB DUAL CAB | RE002.414 | | RE002.1058 | |
| RENAULT | MASTER | 09/13 - CURRENT | (X62) VAN | REN1496.138 | | | |
| RENAULT | MASTER | 02/14 - CURRENT | (X62) SWB VAN | REN1421.107C | | | |
| RENAULT | MASTER | 10/19 - CURRENT | (X62) PRO ELWB VAN | REN1279.165 | | | |
| RENAULT | TRAFIC | 05/07 - 03/15 | (X83) LWB VAN | RE003.407 | | | |
| RENAULT | TRAFIC | 04/15 - CURRENT | (X82) SWB & LWB VAN | REN1143.409 | | | RM - G2B |
| RENAULT | TRAFIC | 04/15 - CURRENT | (X82) SWB & LWB VAN | REN1335.414 | | | RM - G2B |
| RENAULT | TRAFIC | 05/17 - CURRENT | (X82) SWB & LWB VAN | REN1263.164 | | | |

| MAKE | MODEL | YEAR | SERIES & SUB MODEL | Front Pattern Number | Middle Pattern Number | Rear Pattern Number | Notes |
|------|-------|---------------|--------------------|----------------------|-----------------------|---------------------|-------|
| SAAB | 900 | 01/86 - 09/91 | 16 GLE SEDAN | | | CC001.512 | |

| MAKE | MODEL | YEAR | SERIES & SUB MODEL | Front Pattern Number | Middle Pattern Number | Rear Pattern Number | Notes |
|-------------|-------|--------------|--|----------------------|-----------------------|---------------------|---|
| SCHEEL MANN | VARIO | 21 - CURRENT | F MODEL, SINGLE SEAT, SUITS DRIVER OR PASSENGER WITH OPTIONAL DUAL ARMREST | SCH1416.200 | | | AOF ONLY. SUITS WITH OR WITHOUT ARMREST/S |

| MAKE | MODEL | YEAR | SERIES & SUB MODEL | Front Pattern Number | Middle Pattern Number | Rear Pattern Number | Notes |
|-------|-------|------|--------------------|----------------------|-----------------------|---------------------|--------------------------------|
| SEARS | D55 | N/A | TRACTOR | SEA1415.198 | | | AOF ONLY. ARMRESTS NOT COVERED |

| MAKE | MODEL | YEAR | SERIES & SUB MODEL | Front Pattern Number | Middle Pattern Number | Rear Pattern Number | Notes |
|----------|-------|--------------|--------------------|----------------------|-----------------------|---------------------|---------------------------|
| SINOTRUK | C7H | 23 - CURRENT | 540 SITRAK TRUCK | SIN1537.194 | | | AOF ONLY |
| SINOTRUK | G5 | 24 - CURRENT | G5 SITRAK TRUCK | SIN1537.194 | | | AOF ONLY |
| SINOTRUK | G7 | 24 - CURRENT | 540 SITRAK TRUCK | SIN1536.189 | | | AOF ONLY |
| SINOTRUK | T5G | 24 - CURRENT | 330 SITRAK TRUCK | SIN1536.189 | | | AOF ONLY. MT100 AVAILABLE |

| MAKE | MODEL | YEAR | SERIES & SUB MODEL | Front Pattern Number | Middle Pattern Number | Rear Pattern Number | Notes |
|-------|-----------------|-----------------|---|----------------------|-----------------------|---------------------|--|
| SKODA | KAMIQ | 03/20 - CURRENT | (NW) 85 TSI ALL BADGES SUV | SKO1515.102C | | SKO5384.944 | |
| SKODA | KAROQ | 12/17 - CURRENT | (NU) 110, STYLE TSI WAGON | SKO1221.121 | | SKO5207.914 | SUITS WITH OR WITHOUT FRONT DVD / HANGER BRACKET |
| SKODA | KAROQ | 07/19 - CURRENT | (NU) SPORTLINE WAGON | SKO1242.143 | | SKO5219.965 | |
| SKODA | KODIAQ | 05/17 - 10/24 | (NS) 132 TSI SUV | SKO1238.102C | SKO5216.1119 | SKO9030.976 | |
| SKODA | KODIAQ | 07/17 - 10/24 | (NS) SPORTLINE, RS SUV | SKO1164.110 | SKO5216.1119 | SKO9030.976 | |
| SKODA | OCTAVIA | 07/15 - 12/20 | (NE) 110 TSI, 110 TSI AMBITION, 110 TSI STYLE WAGON | SKO01.102C | | SKO5056.965 | SIDE BOLSTERS NOT COVERED DUE TO AIRBAGS |
| SKODA | OCTAVIA | 11/16 - 09/18 | (NE) RS169, RS230 HATCH & WAGON | SKO1058.110 | | SKO5056.965 | SIDE BOLSTERS NOT COVERED DUE TO AIRBAGS |
| SKODA | OCTAVIA | 11/16 - 12/20 | (NE) 110 TSI SPORT LIFTBACK & WAGON | SKO1058.110 | | SKO5056.965 | SIDE BOLSTERS NOT COVERED DUE TO AIRBAGS |
| SKODA | OCTAVIA | 10/17 - 12/20 | (NE) RS180, RS245 HATCH & WAGON | SKO1058.110 | | SKO5056.965 | SIDE BOLSTERS NOT COVERED DUE TO AIRBAGS |
| SKODA | OCTAVIA | 06/22 - CURRENT | (NX) 110 TSI STYLE WAGON | SKO1413.102C | | SKO5333.965 | |
| SKODA | OCTAVIA | 06/22 - CURRENT | (NX) RS LIFTBACK & WAGON | SKO1473.228 | | SKO5333.965 | |
| SKODA | RAPID SPACEBACK | 05/14 - 10/20 | (NH) 81 TSI, 90 TSI, 92 TSI WAGON | SKO1165.110 | | SKO5163.909 | |
| SKODA | SUPERB | 09/15 - 06/21 | (NP) ALL BADGES SEDAN & WAGON (EXCLUDES SPORTLINE) | SKO1064.102C | | SKO5060.965 | SIDE BOLSTERS NOT COVERED DUE TO AIRBAGS |
| SKODA | SUPERB | 06/21 - 12/24 | (NP) SPORTLINE SEDAN & WAGON | SKO1510.110 | | SKO5060.965 | SIDE BOLSTERS NOT COVERED DUE TO AIRBAGS |

| MAKE | MODEL | YEAR | SERIES & SUB MODEL | Front Pattern Number | Middle Pattern Number | Rear Pattern Number | Notes |
|-------|--------|---------------|--------------------|----------------------|-----------------------|---------------------|-------|
| SMART | FORTWO | 01/04 - 01/08 | 2DR COUPE | ME010.110 | | | |

| MAKE | MODEL | YEAR | SERIES & SUB MODEL | Front Pattern Number | Middle Pattern Number | Rear Pattern Number | Notes |
|-----------|------------|-----------------|---|----------------------|-----------------------|---------------------|--------------------------|
| SSANGYONG | ACTYON | 03/07 - 02/12 | (Q100) SPORTS DUAL CAB | CX006.102C | | CX006.907 | |
| SSANGYONG | KORANDO | 02/11 - 02/18 | (C200) S SUV | CX008.102C | | CX008.1006 | REAR ARMREST NOT COVERED |
| SSANGYONG | KORANDO | 10/19 - CURRENT | (C300) ELX & ULTIMATE SUV | SSA1313.102C | | SSA5263.965 | |
| SSANGYONG | KORANDO | 10/19 - CURRENT | (C300) EX SUV | SSA1313.102C | | SSA5264.944 | |
| SSANGYONG | KYRON | 02/06 - 06/12 | (D100) XDI SUV | CX005.102C | | CX005.972 | |
| SSANGYONG | MUSSO | 07/96 - 12/02 | 4WD SUV | | | CX001.811 | |
| SSANGYONG | MUSSO | 05/04 - 09/07 | SPORTS DUAL CAB | CX004.102C | | CX004.520 | |
| SSANGYONG | MUSSO | 09/18 - CURRENT | (Q200, Q215, Q261) EX, ELX, ULTIMATE DUAL CAB | SSA1117.102 | | SSA5112.907 | RM - GBB, TRB |
| SSANGYONG | REXTON | 07/03 - 09/07 | (Y200) RX320 4X4 SUV | CX003.102C | | CX003.514 | |
| SSANGYONG | REXTON | 01/04 - 01/13 | (Y200) RX270 7 SEAT SUV | CX003.102C | CX003.514 | SSA9173.702 | |
| SSANGYONG | REXTON | 12/20 - CURRENT | (Y450) ELX, ULTIMATE SUV | SSA1391.102C | SSA5320.1022 | SSA9056.1090 | AIRBAGS FRONT & MIDDLE |
| SSANGYONG | RHINO | 09/18 - CURRENT | (Y400) ALL BADGES DUAL CAB | SSA1117.102 | | SSA5112.907 | RM - GBB, TRB |
| SSANGYONG | STAVIC | 11/05 - 04/13 | (A100) SV270 WAGON | CX002.102C | CX002.408 | SSA9174.982 | |
| SSANGYONG | TIVOLI | 05/15 - 10/20 | (X100) ALL BADGES SUV | SSA1201.102C | | SSA5193.1032 | |
| SSANGYONG | TIVOLI XLV | 11/18 - 10/20 | (X100) ALL BADGES SUV | SSA1201.102C | | SSA5193.1032 | |

| MAKE | MODEL | YEAR | SERIES & SUB MODEL | Front Pattern Number | Middle Pattern Number | Rear Pattern Number | Notes |
|---------|-----------|---------|--|----------------------|-----------------------|---------------------|----------------------------|
| STRATOS | 785 | CURRENT | DRIVER SEAT ONLY (EXCLUDES INTEGRATED SEATBELT) | STR1367.190 | | | FRONT CONVERTED FROM CG482 |
| STRATOS | 3000 LTSS | CURRENT | DRIVER & PASSENGER SUSPENSION BUCKET SEATS WITH INNER ARMRESTS | STR1293.166 | | | A/O ONLY |
| STRATOS | 3000 LTSS | CURRENT | DRIVER & PASSENGER SUSPENSION BUCKET SEATS | STR1294.108C | | | RM - CVC. A/O ONLY |

| MAKE | MODEL | YEAR | SERIES & SUB MODEL | Front Pattern Number | Middle Pattern Number | Rear Pattern Number | Notes |
|--------|-----------|-----------------|--|----------------------|-----------------------|---------------------|---|
| SUBARU | BRUMBY | 10/80 - 03/94 | 2DR UTE | CA012.104 | | | |
| SUBARU | BRZ | 06/12 - 10/21 | (ZC, Z10) STI SE, PREMIUM 2DR COUPE | CT455.121 | | CT455.958 | |
| SUBARU | BRZ | 10/21 - CURRENT | (ZD, Z11) S 2DR COUPE | SUB1450.216 | | SUB5359.958 | |
| SUBARU | CROSSTREK | 01/23 - CURRENT | (GU) ALL BADGES SUV | SUB1438.111 | | SUB5350.723 | RM1438 - G2B, GBB, WEB. RM5350 - G2B, GBB |
| SUBARU | DL | 05/76 - 11/84 | WAGON | | | CA013.702 | |
| SUBARU | DL | 10/80 - 11/84 | TOURING WAGON | CA001.101C | | CA001.707 | |
| SUBARU | DL | 12/84 - 87 | TOURING WAGON | CA001.101C | | CA002.708 | |
| SUBARU | DL | 12/84 - 87 | WAGON | CA001.101C | | CA003.702 | |
| SUBARU | DL | 12/84 - 95 | GL WAGON | CA007.101C | | CA007.806 | |
| SUBARU | DL | 87 - 95 | WAGON | | | CA004.806 | |
| SUBARU | FORESTER | 08/97 - 08/98 | (SF) 4WD WAGON | CA009.107A | | CA009.811 | |
| SUBARU | FORESTER | 08/98 - 07/02 | (SF) GT, LTD WAGON | CA060.107 | | CA060.905 | SEATBELT HOLES SIDE TO SIDE, NO MAP POCKETS |
| SUBARU | FORESTER | 07/02 - 06/05 | (SG) X, XS 4WD WAGON | CA061.107D | | CA061.944 | SEATBELT HOLES FRONT TO BACK, FRONT MAP POCKETS |
| SUBARU | FORESTER | 07/05 - 02/08 | (SG) X, XS, XT 4X4 WAGON | CA062.107D | | CA061.944 | |
| SUBARU | FORESTER | 07/05 - 02/08 | (SG) X 4X4 WAGON | CA080.102D | | CA061.944 | |
| SUBARU | FORESTER | 03/08 - 01/13 | (SH, S12) SERIES 3 X WAGON | CA082.102D | | CA082.1013 | |
| SUBARU | FORESTER | 03/08 - 01/13 | (SH, S12) SERIES 3 XS, XS PREMIUM, XT, S EDITION WAGON | CA082.102D | | CA083.1029 | REAR ARMREST NOT COVERED |
| SUBARU | FORESTER | 01/13 - 09/18 | (SJ, S13) SERIES 4 ALL BADGES WAGON | SUB1077.102C | | SUB5074.1032 | RM1077 - EMB, G2B, WEB. RM5074 - G2B, WEB. |
| SUBARU | FORESTER | 09/18 - 05/25 | (SK, S14) SERIES 5 ALL BADGES SUV | SUB1098.121 | | SUB5097.1032 | RM - G2B, GBB |
| SUBARU | FORESTER | 05/25 - CURRENT | (SL, S15, S6) HYBRID NO BADGE SUV | SUB1654.102C | | SUB5474.723 | |
| SUBARU | FORESTER | 05/25 - CURRENT | (SL, S15, S6) HYBRID SPORT, HYBRID TOURING | SUB1658.102C | | SUB5474.723 | |
| SUBARU | FORESTER | 05/25 - CURRENT | (SL, S15, S6) 2.5i NO BADGE SUV | SUB1654.102C | | SUB5474.723 | |
| SUBARU | FORESTER | 05/25 - CURRENT | (SL, S15, S6) 2.5i PREMIUM, 2.5i SPORT, 2.5i TOURING SUV | SUB1658.102C | | SUB5474.723 | |
| SUBARU | IMPREZA | 04/93 - 94 | (GF) GX, WRX WAGON | CA030.102C | | CA032.711 | |
| SUBARU | IMPREZA | 04/93 - 11/96 | (GC) GX SEDAN | CA030.102C | | CA031.712 | |
| SUBARU | IMPREZA | 04/93 - 09/98 | (GC) LX SEDAN | CA030.102C | | CA030.802 | |
| SUBARU | IMPREZA | 02/94 - 10/00 | (GF) GX, WRX WAGON | CA030.102C | | CA031.712 | |
| SUBARU | IMPREZA | 02/94 - 10/00 | (GC) WRX SEDAN | CA037.140 | | CA031.712 | |
| SUBARU | IMPREZA | 02/94 - 10/00 | (GF) WRX WAGON | CA037.140 | | CA032.711 | |
| SUBARU | IMPREZA | 08/94 - 10/00 | (GF) SPORTSWAGON, LX, RX WAGON | CA030.102C | | CA032.711 | |
| SUBARU | IMPREZA | 96 - 10/00 | (GC) GX, RX SEDAN | CA008.101C | | CA031.712 | |
| SUBARU | IMPREZA | 10/00 - 11/02 | (GD) WRX SEDAN | CA043.140 | | CA041.803 | |
| SUBARU | IMPREZA | 10/00 - 11/02 | (GG) WRX WAGON | CA042.140 | | CA042.915 | |
| SUBARU | IMPREZA | 10/00 - 08/04 | (GD) RX SEDAN | CA039.102 | | CA031.712 | |
| SUBARU | IMPREZA | 10/00 - 09/05 | (GG) GX WAGON | CA041.102C | | CA042.915 | |
| SUBARU | IMPREZA | 10/00 - 09/05 | (GD) GX SEDAN | CA041.102C | | CA041.803 | |
| SUBARU | IMPREZA | 05/01 - 08/07 | (GG) RV WAGON | CA046.102C | | CA042.915 | |
| SUBARU | IMPREZA | 10/01 - 09/05 | (GD) RS SEDAN | CA043.140 | | CA041.803 | |
| SUBARU | IMPREZA | 02 - 04 | (GD) RX, GX SEDAN | CA047.102D | | CA041.803 | |
| SUBARU | IMPREZA | 12/02 - 09/05 | (GD) WRX SEDAN | CA048.140 | | CA041.803 | |
| SUBARU | IMPREZA | 08/04 - 08/07 | (GG) RS, LUXURY WAGON | CA048.140 | | CA041.803 | |
| SUBARU | IMPREZA | 10/05 - 09/07 | (GD) R SEDAN | CA089.102D | | CA041.803 | |
| SUBARU | IMPREZA | 08/07 - 03/12 | (G3) R HATCH | SUB1042.102C | | SUB5044.1046 | RM1042 - EMB, G2B. RM5044 - G2B, WEB. |
| SUBARU | IMPREZA | 08/07 - 03/12 | (G3) RX HATCH | CA092.111 | | CA093.1023 | |
| SUBARU | IMPREZA | 09/07 - 03/12 | (G3) RS HATCH | CA093.140 | | CA093.1023 | |
| SUBARU | IMPREZA | 10/07 - 10/09 | (G3) WRX HATCH | CA048.140 | | CA091.915 | |
| SUBARU | IMPREZA | 09/08 - 01/12 | (G3) R SEDAN | CA092.111 | | CA094.944 | |
| SUBARU | IMPREZA | 12/08 - 02/14 | (G3) WRX SEDAN | CA093.140 | | CA094.944 | |
| SUBARU | IMPREZA | 10/09 - 11/11 | (G3) WRX HATCH | CA093.140 | | CA093.1023 | |
| SUBARU | IMPREZA | 11/11 - 02/14 | (G3) WRX HATCH | CA096.140 | | CA093.1023 | |

| MAKE | MODEL | YEAR | SERIES & SUB MODEL | Front Pattern Number | Middle Pattern Number | Rear Pattern Number | Notes |
|--------|----------|-----------------|--|----------------------|-----------------------|---------------------|---|
| SUBARU | IMPREZA | 01/12 - 10/16 | (G4 / GJ) ALL BADGES SEDAN | SUB1042.102C | | CA097.965 | RM1042 - EMB, G2B |
| SUBARU | IMPREZA | 01/12 - 10/16 | (G4 / GP) ALL BADGES HATCH | SUB1078.121 | | SUB5044.1046 | RM1078 - G2B, GBB, WEB. RM5044 - G2B, WEB |
| SUBARU | IMPREZA | 10/16 - 10/23 | (G5 / GT) 2.0i, 2.0i-L, 2.0i-S, 2.0i-PREMIUM HATCH | SUB1078.121 | | SUB5075.965 | RM1078 - G2B, GBB, WEB. RM5075 - G2B, WEB |
| SUBARU | IMPREZA | 10/16 - 10/23 | (G5 / GK) 2.0i, 2.0i-L, 2.0i-S, 2.0i-PREMIUM SEDAN | SUB1078.121 | | CA153.965 | RM1078 - G2B, GBB, WEB. |
| SUBARU | IMPREZA | 10/23 - CURRENT | (G6 / GU) 2.0L, 2.0R, 2.0S HATCH | SUB1438.111 | | SUB5350.723 | RM1438 - G2B, GBB, WEB. RM5350 - G2B, GBB |
| SUBARU | LEGACY | 10/89 - 07/96 | (BC, BD) LX SEDAN | CA008.101C | | CA021.804 | |
| SUBARU | LEGACY | 06/96 - 11/98 | (BD) LX SEDAN | CA008.101C | | CA027.804 | |
| SUBARU | LEGACY | 11/96 - 10/98 | (BG) RX SEDAN | CA029.101B | | CA029.897 | |
| SUBARU | LEGACY | 03/99 - 08/03 | (BE) NO BADGE SEDAN | CA029.101B | | CA050.903 | |
| SUBARU | LEGACY | 10/98 - 08/03 | (BH) LIMITED WAGON | CA054.111 | | CA056.970 | |
| SUBARU | LEGACY | 09/03 - 08/09 | (BP) 2.0i, 2.5i, 3.0R, 3.0R-B, GT WAGON | CA056.111 | | CA056.970 | |
| SUBARU | LEGACY | 09/03 - 08/09 | (BL) 2.5i, GT SEDAN | CA057.111 | | CA057.907 | |
| SUBARU | LEGACY | 08/04 - 08/09 | (BL) 3.0R SEDAN | CA059.111 | | CA057.907 | |
| SUBARU | LEGACY | 10/09 - 01/15 | (BR) 2.5i, GT PREMIUM SEDAN | SUB1176.102C | | CA087.1035 | |
| SUBARU | LEGACY | 10/14 - 08/20 | (BN) B4 SEDAN | CA155.102C | | CA155.1013 | |
| SUBARU | LEONE | 01/82 - 85 | GL SEDAN | CA001.101C | | CA010.802 | |
| SUBARU | LEONE | 86 - 94 | GL SEDAN | CA001.101C | | CA011.804 | |
| SUBARU | LEVORG | 06/14 - 10/20 | (VM) GTS WAGON | CA151.121 | | CA151.1035 | |
| SUBARU | LIBERTY | 10/89 - 08/90 | (BF) GX WAGON | CA020.101 | | CA020.504 | WITH H/REST CONTROLS & MAP POCKETS |
| SUBARU | LIBERTY | 10/89 - 91 | (BC) GX SEDAN | CA020.101 | | CA021.804 | WITH H/REST CONTROLS & MAP POCKETS |
| SUBARU | LIBERTY | 10/89 - 11/96 | (BC, BD) LX SEDAN | CA008.101C | | CA021.804 | |
| SUBARU | LIBERTY | 06/89 - 09/98 | (BF, BG) LX, ENDURO WAGON | CA008.101C | | CA023.504 | |
| SUBARU | LIBERTY | 08/90 - 09/98 | (BF, BG) LX, GX WAGON | CA008.101C | | CA023.504 | |
| SUBARU | LIBERTY | 92 - 11/96 | (BC, BD) GX SEDAN | CA008.101C | | CA021.804 | |
| SUBARU | LIBERTY | 11/96 - 10/98 | (BG) RX WAGON | CA029.101B | | CA029.897 | |
| SUBARU | LIBERTY | 11/96 - 03/99 | (BD) GX, LX SEDAN | CA008.101C | | CA027.804 | |
| SUBARU | LIBERTY | 10/98 - 08/03 | (BH) RX WAGON | CA054.111 | | CA056.970 | |
| SUBARU | LIBERTY | 03/99 - 01 | (BH) GX WAGON | CA008.101C | | CA051.504 | |
| SUBARU | LIBERTY | 03/99 - 08/03 | (BE) GX SEDAN | CA029.101B | | CA050.903 | |
| SUBARU | LIBERTY | 03/99 - 08/03 | (BE) RX SEDAN | CA052.102D | | CA053.945 | |
| SUBARU | LIBERTY | 02 - 08/03 | (BH) GX WAGON | CA052.102D | | CA052.905 | |
| SUBARU | LIBERTY | 09/03 - 08/09 | (BP) ALL BADGES WAGON | CA056.111 | | CA056.970 | |
| SUBARU | LIBERTY | 09/03 - 08/09 | (BL) 2.5i,GT SEDAN | CA057.111 | | CA057.907 | |
| SUBARU | LIBERTY | 04 - 09 | (BL) SEDAN | CA052.102D | | CA055.903 | |
| SUBARU | LIBERTY | 08/04 - 08/09 | (BL) 3.0R SEDAN | CA059.111 | | CA057.907 | |
| SUBARU | LIBERTY | 10/09 - 12/14 | (YA) EXIGA 6 SEAT WAGON | CA086.107C | CA086.1033 | SUB9175.923 | |
| SUBARU | LIBERTY | 10/09 - 01/15 | (BR) 2.5i, GT PREMIUM WAGON | SUB1176.102C | | CA087.1035 | RM1176 - G2B |
| SUBARU | LIBERTY | 12/14 - 06/21 | (BN) 2.5i SEDAN | CA155.102C | | CA155.1013 | |
| SUBARU | OUTBACK | 10/96 - 10/98 | (BG) WAGON | CA008.101C | | CA008.876 | |
| SUBARU | OUTBACK | 10/98 - 00 | (BH) WAGON | CA029.101B | | CA029.897 | |
| SUBARU | OUTBACK | 01 - 02 | (BH) WAGON | | | CA045.900 | |
| SUBARU | OUTBACK | 02 - 08/03 | (BH) WAGON | CA052.102D | | CA063.932 | |
| SUBARU | OUTBACK | 09/03 - 04 | (BP) WAGON | CA064.102C | | CA064.952 | |
| SUBARU | OUTBACK | 05 - 07/07 | (BP) WAGON | CA064.102C | | CA056.970 | |
| SUBARU | OUTBACK | 08/07 - 08/09 | (BP) 2.5i WAGON | CA067.102C | | CA056.970 | |
| SUBARU | OUTBACK | 08 - 08/09 | (BP) 4X4 WAGON | CA068.102C | | CA056.970 | |
| SUBARU | OUTBACK | 10/09 - 01/15 | (BR) 2.0D, 2.5i, 3.6R WAGON | SUB1176.102C | | CA101.1035 | RM1176 - G2B |
| SUBARU | OUTBACK | 12/14 - 12/20 | (BS) 2.0D, 2.5i, 3.6R WAGON | SUB1176.102C | | SUB5170.1035 | RM- G2B |
| SUBARU | OUTBACK | 12/20 - CURRENT | (BT) ALL BADGES WAGON | SUB1266.102C | | SUB5235.1121 | RM - GBB, GBG |
| SUBARU | SOLTERRA | 11/23 - CURRENT | ALL BADGES SUV | SUB1545.216 | | SUB5395.1032 | |

| MAKE | MODEL | YEAR | SERIES & SUB MODEL | Front Pattern Number | Middle Pattern Number | Rear Pattern Number | Notes |
|--------|---------|-----------------|--|----------------------|-----------------------|---------------------|---|
| SUBARU | TRIBECA | 11/06 - 01/14 | 3.0R, 3.6R 7 SEAT SUV | CA099.102C | CA099.1036 | N/A | |
| SUBARU | WRX | 03/14 - 02/22 | (V1) BASE, PREMIUM, STI PREMIUM SEDAN | CA102.121 | | CA102.985 | |
| SUBARU | WRX | 04/14 - 02/22 | (V1) STI SEDAN | SUB1078.121 | | CA153.965 | RM1078 - G2B, GBB, WEB |
| SUBARU | WRX | 02/22 - CURRENT | (VB) ALL BADGES SEDAN | SUB1423.121 | | SUB5337.1046 | |
| SUBARU | XV | 09/11 - 05/17 | (G4X) 2.0i, 2.0i-L, 2.0i-S SUV | SUB1042.102C | | SUB5044.1046 | RM1042 - EMB, G2B, RM5044 - G2B, WEB. |
| SUBARU | XV | 05/17 - 12/22 | (G5X) 2.0i, 2.0i-L, 2.0i-S, 2.0i-PREMIUM SUV | SUB1078.121 | | SUB5075.965 | RM1078 - G2B, GBB, WEB. RM5075 - G2B, WEB |

| MAKE | MODEL | YEAR | SERIES & SUB MODEL | Front Pattern Number | Middle Pattern Number | Rear Pattern Number | Notes |
|--------|--------------|-----------------|--|----------------------|-----------------------|---------------------|--|
| SUZUKI | AERIO | 01/01 - 05/06 | WAGON | CS107.107C | | CS109.969 | |
| SUZUKI | ALTO | 95 - 99 | (SH410) 4DR HATCH | CS070.102 | | CS070.703 | |
| SUZUKI | ALTO | 07/09 - 01/15 | (GF) 4DR HATCH | CS071.110 | | CS071.976 | |
| SUZUKI | APV | 06/05 - 02/18 | (GC416) VAN | CS098.101C | | | |
| SUZUKI | BALENO | 04/95 - 99 | (SY416) GLX SEDAN | CS060.102C | | CS060.807 | |
| SUZUKI | BALENO | 04/95 - 11/01 | (SY416) 2DR GLX HATCH | CS061.113 | | CS061.807 | |
| SUZUKI | BALENO | 03/96 - 99 | (SY418) GTX SEDAN | CS061.113 | | CS060.807 | |
| SUZUKI | BALENO | 10/96 - 03 | (SY418) GTX WAGON | CS064.101 | | CS060.807 | |
| SUZUKI | BALENO | 10/96 - 04 | (SY416) GLX WAGON | CS063.102 | | CS060.807 | |
| SUZUKI | BALENO | 99 - 11/01 | (SY416) SEDAN | CS064.101 | | CS060.807 | |
| SUZUKI | BALENO | 06/16 - 09/22 | (EW) ALL BADGES HATCH | CS183.102C | | CS183.1008 | |
| SUZUKI | CARRY | 03/99 - 09/04 | (GA413) VAN | CS095.101C | | | |
| SUZUKI | FRONX | 04/25 - CURRENT | GLX, HYBRID SUV | SUZ1624.102C | | SUZ5445.1123 | |
| SUZUKI | GRAND VITARA | 04/98 - 99 | (SQ420, SQ625) ALL BADGES V6 SUV | CS015.102 | | CS015.709 | |
| SUZUKI | GRAND VITARA | 99 - 02 | (SQ420, SQ625) ALL BADGES SUV | CS015.102 | | CS016.709 | |
| SUZUKI | GRAND VITARA | 07/01 - 03 | (JA627) XL7 LIMITED, XL7 TREKKER SUV | CS019.102A | CS017.921 | SUZ9176.708 | |
| SUZUKI | GRAND VITARA | 02 - 08/05 | (SQ420, SQ625) ALL BADGES SUV | CS018.102A | | CS018.709 | |
| SUZUKI | GRAND VITARA | 03 - 01/06 | (JA627) XL7 LIMITED, XL7 TREKKER SUV | CS027.102A | CS027.962 | SUZ9177.708 | |
| SUZUKI | GRAND VITARA | 09/05 - 07/08 | (JB416, JB420, JA627, JT) TREKKER SUV | CS028.102C | | CS028.968 | |
| SUZUKI | GRAND VITARA | 08/08 - 01/19 | (JB424, JT) ALL BADGES 4DR SUV | CS084.102C | | CS028.968 | |
| SUZUKI | GRAND VITARA | 08/08 - 01/19 | (JB419, JB424, JT) ALL BADGES 2DR SUV | CS084.102C | | CS085.931 | |
| SUZUKI | IGNIS | 10/00 - 02/05 | (RG413) GA HATCH | CS100.101A | | CS100.708 | |
| SUZUKI | IGNIS | 10/00 - 02/05 | (RG413) GL HATCH | CS100.101A | | CS101.806 | |
| SUZUKI | IGNIS | 11/16 - CURRENT | (MF) GLX HATCH | CS182.102C | | CS182.931 | |
| SUZUKI | IGNIS | 11/16 - CURRENT | (MF) GL HATCH | SUZ1153.101C | | SUZ5150.1008 | |
| SUZUKI | JIMNY | 10/98 - 10/00 | (SN413) ALL BADGES SUV | CS090.102A | | CS090.709 | |
| SUZUKI | JIMNY | 10/05 - 01/19 | (SN413) ALL BADGES SUV | CS091.102A | | CS091.857 | FRONT & REAR HEADREST NOT COVERED |
| SUZUKI | JIMNY | 12/18 - CURRENT | (GJ) ALL BADGES SUV | SUZ1136.102C | | SUZ5132.1090 | RM1136 - EMB, GBB, TRB, TRG. RM5132 - GBB. AOF AVAILABLE FRONT ONLY. |
| SUZUKI | JIMNY | 12/23 - CURRENT | (JJ) XL 4DR SUV | SUZ1136.102C | | SUZ5362.821 | RM1136 - EMB, GBB, TRB, TRG. RM5362 - GBB. AOF AVAILABLE FRONT ONLY. |
| SUZUKI | KIZASHI | 05/10 - 06/16 | (FR) XLS SEDAN | CS113.102C | | CS113.913 | REAR ARMREST NOT COVERED |
| SUZUKI | LIANA | 10/01 - 08/04 | (RH416) GLX, GS HATCH | CS105.102C | | CS105.890 | |
| SUZUKI | LIANA | 09/02 - 02/04 | (RH416) GLX, GS SEDAN | CS106.102C | | CS106.944 | |
| SUZUKI | LIANA | 08/04 - 08/07 | (RH418) GS SEDAN | CS107.107C | | CS106.944 | |
| SUZUKI | LIANA | 08/04 - 08/07 | (RH416, RH418) GS HATCH | CS107.107C | | CS108.900 | |
| SUZUKI | S-CROSS | 01/14 - CURRENT | (JY) GL HATCH | SUZ1341.102C | | SUZ5287.1008 | |
| SUZUKI | S-CROSS | 01/14 - CURRENT | (JY) ALL BADGES (EXCLUDES GL) HATCH | SUZ1341.102C | | SUZ5286.1024 | |
| SUZUKI | SIERRA | 81 - 84 | (SJ410) UTE | CS022.103 | | | |
| SUZUKI | SIERRA | 83 - 90 | (SJ413) JX HARD TOP, JX SOFT TOP | CS001.101A | | CS020.703 | |
| SUZUKI | SIERRA | 84 - 88 | (SJ410) LWB UTE | CS001.101A | | CS020.703 | |
| SUZUKI | SIERRA | 08/89 - 93 | (SJ413) JX SOFT TOP | CS001.101A | | CS023.503 | |
| SUZUKI | SIERRA | 95 - 09/96 | (SJ413) ALL BADGES HARD TOP & SOFT TOP | CS024.110 | | | |
| SUZUKI | SIERRA | 09/96 - 05/99 | (SJ413) ALL BADGES HARD TOP & SOFT TOP | CS025.101A | | CS023.503 | |
| SUZUKI | SUPER CARRY | 85 - 90 | (SK410) COMMERCIAL VAN | CS003.102 | | CS003.703 | |
| SUZUKI | SUPER CARRY | 85 - 90 | (SK410) COMMERCIAL VAN | | | CS011.501 | |
| SUZUKI | SUPER CARRY | 85 - 90 | (SK410) COMMERCIAL VAN | CS010.101C | | | |
| SUZUKI | SWIFT | 01/85 - 03/87 | (SA310) GA HATCH | | | CS042.806 | |
| SUZUKI | SWIFT | 1/85 - 12/89 | (SA310, SA413) GL, GC HATCH | | | CS041.707 | |
| SUZUKI | SWIFT | 01/89 - 09/95 | (SF413, SF416) GL, GLX SEDAN | | | CS046.813 | |
| SUZUKI | SWIFT | 01/89 - 05/95 | (SF310) GA HATCH | CS044.110 | | CS042.806 | |
| SUZUKI | SWIFT | 01/89 - 96 | (SF310) GL HATCH | | | CS043.707 | |

| MAKE | MODEL | YEAR | SERIES & SUB MODEL | Front Pattern Number | Middle Pattern Number | Rear Pattern Number | Notes |
|--------|--------|-----------------|---|----------------------|-----------------------|---------------------|-------------------|
| SUZUKI | SWIFT | 01/89 - 97 | (SF413) GTI HATCH | CS044.110 | | CS042.806 | |
| SUZUKI | SWIFT | 05/94 - 95 | (SF413) CINO 4DR HATCH | CS030.101 | | CS030.707 | |
| SUZUKI | SWIFT | 05/94 - 95 | (SF413) CINO 2DR HATCH | CS031.110 | | CS031.806 | |
| SUZUKI | SWIFT | 96 - 12/99 | (SF413) CINO FIORELLI 4DR HATCH | CS032.102C | | | |
| SUZUKI | SWIFT | 96 - 12/99 | (SF413) CINO 2DR HATCH | CS044.110 | | CS042.806 | |
| SUZUKI | SWIFT | 96 - 12/99 | (SF413) CINO 4DR HATCH | CS048.101 | | CS048.707 | |
| SUZUKI | SWIFT | 97 - 12/99 | (SF413) GTI HATCH | CS034.110 | | CS034.707 | |
| SUZUKI | SWIFT | 11/04 - 06 | (RS415, RS416) Z SERIES HATCH | CS049.102C | | CS049.947 | |
| SUZUKI | SWIFT | 11/04 - 01/11 | (RS415) BEAT, EXTREME HATCH | CS049.102C | | CS051.1008 | |
| SUZUKI | SWIFT | 09/05 - 01/11 | (RS416, EZ) SPORT HATCH | CS052.110 | | CS051.1008 | |
| SUZUKI | SWIFT | 06 - 01/11 | (RS415) Z SERIES HATCH | CS049.102C | | CS050.984 | |
| SUZUKI | SWIFT | 02/11 - 06/17 | (FZ) GL, RE2 HATCH | CS053.102C | | CS053.1008 | |
| SUZUKI | SWIFT | 04/17 - 02/24 | (AZ) GL, GLX TURBO HATCH | SUZ1305.102C | | SUZ5258.1008 | RM - GBB |
| SUZUKI | SWIFT | 01/18 - 05/20 | (AZ) SPORT HATCH | SUZ1063.110 | | SUZ5258.1008 | RM5258 - GBB |
| SUZUKI | SWIFT | 02/21 - 11/25 | (AZ II, MY22) SPORT HATCH | SUZ1593.224 | | SUZ5258.1008 | RM5258 - GBB |
| SUZUKI | SWIFT | 03/24 - CURRENT | (UZ) HYBRID ALL BADGES HATCH | SUZ1305.102C | | SUZ5258.1008 | RM - GBB |
| SUZUKI | SX4 | 07/06 - 11/09 | (RW420) HATCH | CS049.102C | | CS050.984 | |
| SUZUKI | SX4 | 09/07 - 11/14 | (RW420) SEDAN | CS049.102C | | CS176.1021 | |
| SUZUKI | SX4 | 02/10 - 08/12 | (RW420) HATCH | CS177.107C | | CS177.1008 | |
| SUZUKI | SX4 | 09/12 - 11/14 | (RW420) HATCH | CS179.102C | | CS177.1008 | |
| SUZUKI | VITARA | 07/88 - 91 | (SE416) JX HARD TOP, JX SOFT TOP | CS001.101A | | CS001.703 | |
| SUZUKI | VITARA | 07/88 - 91 | (SE416) JLX HARD TOP, JLX SOFT TOP | CS001.101A | | CS002.848 | MOULDED HEADRESTS |
| SUZUKI | VITARA | 91 - 04/00 | (SE416) JLX, JX HARD TOP, JLX, JX SOFT TOP | CS008.102A | | CS002.848 | |
| SUZUKI | VITARA | 08/91 - 96 | (SE416) JLX ESTATE SUV | CS006.101 | | CS006.510 | |
| SUZUKI | VITARA | 08/91 - 96 | (SE416) JX ESTATE SUV | CS008.102A | | CS012.829 | |
| SUZUKI | VITARA | 08/91 - 12/98 | (SE416) JX SUV | CS006.101 | | CS007.508 | |
| SUZUKI | VITARA | 96 - 12/98 | (SE416) JX ESTATE SUV | CS006.101 | | CS012.829 | |
| SUZUKI | VITARA | 96 - 12/98 | (SE416) JLX ESTATE SUV | CS014.102 | | CS014.887 | |
| SUZUKI | VITARA | 05/97 - 04/00 | (SV420) JLX 2DR SUV | CS008.102A | | CS013.848 | |
| SUZUKI | VITARA | 09/15 - CURRENT | (LY) RT-S, GL+, TURBO, S TURBO, TURBO ALLGRIP SUV | SUZ1304.102C | | SUZ5257.1008 | RM - GBB |

| MAKE | MODEL | YEAR | SERIES & SUB MODEL | Front Pattern Number | Middle Pattern Number | Rear Pattern Number | Notes |
|----------|-----------------------|--------------|--|----------------------|-----------------------|---------------------|--|
| TECHSAFE | INTERLINE | 22 - CURRENT | QUAD SEAT | N/A | | TEC5351.526 | AOF ONLY |
| TECHSAFE | INTERLINE | 22 - CURRENT | QUAD SEAT WITH SENSOR POCKETS ON SEATS | N/A | | TEC5355.526 | AOF ONLY. SEATBELT SENSOR POCKET ON SEAT BASE. |
| TECHSAFE | SAFETYEXCEL TRIPLE | 22 - CURRENT | TRIPLE VAN SEAT | N/A | | TEC5423.1163 | ARMRESTS NOT COVERED |

| MAKE | MODEL | YEAR | SERIES & SUB MODEL | Front Pattern Number | Middle Pattern Number | Rear Pattern Number | Notes |
|-------|-------|-----------------|--------------------|----------------------|-----------------------|---------------------|-------|
| TESLA | Y | 02/22 - CURRENT | MODEL Y SUV | TES1436.108 | | TESS347.722 | |

| MAKE | MODEL | YEAR | SERIES & SUB MODEL | Front Pattern Number | Middle Pattern Number | Rear Pattern Number | Notes |
|----------|--------|--------------|--------------------|----------------------|-----------------------|---------------------|-----------------------|
| THWAITES | DUMPER | 22 - CURRENT | ALL MODELS, DUMPER | THW1483.179 | | | SINGLE SEAT. A/O ONLY |

| MAKE | MODEL | YEAR | SERIES & SUB MODEL | Front Pattern Number | Middle Pattern Number | Rear Pattern Number | Notes |
|--------|----------|---------------|--|----------------------|-----------------------|---------------------|---|
| TOYOTA | 86 | 06/12 - 06/22 | (ZN6) GT, GTS 2DR COUPE | CT455.121 | | CT455.958 | |
| TOYOTA | 4 RUNNER | 11/85 - 04/88 | (LN, RN) SR5, STANDARD 2DR SUV | CT071.101C | | CT071.709 | |
| TOYOTA | 4 RUNNER | 05/88 - 10/89 | (LN, YN) SR5 2DR SUV | CT072.101C | | CT072.709 | |
| TOYOTA | 4 RUNNER | 10/89 - 12/93 | (LN, RN, YN, VZN) SR5 4DR SUV | CT072.101C | | CT074.709 | |
| TOYOTA | 4 RUNNER | 01/94 - 06/96 | (LN, RN, YN, VZN) ALL BADGES 4DR SUV | CT074.101C | | CT074.709 | |
| TOYOTA | AQUA | 12/11 - 07/21 | (NHP10R) ALL BADGES | CT450.102C | | CT450.1008 | |
| TOYOTA | AURION | 10/06 - 03/12 | (GSV40R) AT-X, PRODIGY, PRESARA, TOURING SEDAN | CT333.102C | | CT288.945 | |
| TOYOTA | AURION | 10/06 - 03/12 | (GSV40R) SPORTIVO SX6, ZR6 SEDAN | CT288.111 | | CT288.945 | |
| TOYOTA | AURION | 04/12 - 08/17 | (GSV50R) AT-X, PRODIGY, PRESARA, SPORTIVO SEDAN | TOY1032.102C | | TOY5026.1043 | RM1032 - G2B, EMB, WEB. RM5026 - G2B, WEB |
| TOYOTA | AURIS | 10/09 - 08/12 | (ZRE) 180G, RS HATCH | CT388.102C | | CT389.972 | |
| TOYOTA | AVALON | 07/00 - 03/06 | (MCX10) ALL BADGES SEDAN | CT226.102 | | CT228.803 | |
| TOYOTA | AVALON | 07/00 - 03/06 | (MCX10) CSX, GRANDE, GXI, VXI SEDAN | CT226.102 | | CT226.907 | |
| TOYOTA | AVENSIS | 12/01 - 10/03 | (ACM20R) VERSO GLX, VERSO ULTIMA PEOPLE MOVER | CT307.107C | CT307.890 | TOY9058.865 | |
| TOYOTA | AVENSIS | 11/03 - 11/10 | (ACM21R) VERSO GLX, VERSO ULTIMA PEOPLE MOVER | CT308.107C | CT308.978 | TOY9058.865 | |
| TOYOTA | AVENSIS | 11/03 - 11/10 | (ACM21R) VERSO GLX, VERSO ULTIMA PEOPLE MOVER | CT308.107C | CT309.932 | TOY9058.865 | |
| TOYOTA | BLADE | 12/06 - 04/12 | (AZE) ALL BADGES HATCH | CT388.102C | | CT388.969 | |
| TOYOTA | BLADE | 12/06 - 04/12 | (AZE) ALL BADGES HATCH | CT388.102C | | CT389.972 | |
| TOYOTA | CAMRY | 08/82 - 07/86 | (SV11) GLI HATCHBACK | | | CT050.815 | |
| TOYOTA | CAMRY | 08/86 - 06/91 | (SV20, SV21, SV22) CS SEDAN | CT052.101A | | CT052.846 | |
| TOYOTA | CAMRY | 05/87 - 06/91 | (SV20, SV21) CS-X, ULTIMA SEDAN | CT052.101A | | CT053.849A | |
| TOYOTA | CAMRY | 05/87 - 08/89 | (SV21) CS-X WAGON | CT052.101A | | CT056.833 | |
| TOYOTA | CAMRY | 09/89 - 06/91 | (SV21) CS-X WAGON | CT052.101A | | CT052.846 | |
| TOYOTA | CAMRY | 07/91 - 03/93 | (SV21) CS-X WAGON | CT057.101B | | CT058.850 | |
| TOYOTA | CAMRY | 05/88 - 12/92 | (SV21, SV22) EXECUTIVE WAGON | CT052.101A | | CT052.846 | |
| TOYOTA | CAMRY | 05/87 - 06/91 | (SV21, SV22) CS WAGON | CT052.101A | | CT055.837 | |
| TOYOTA | CAMRY | 05/88 - 03/93 | (SV21, SV22) EXECUTIVE SEDAN | CT062.101B | | CT062.701 | |
| TOYOTA | CAMRY | 03/91 - 09/92 | (SV21) CSI WAGON | CT057.101B | | CT055.837 | |
| TOYOTA | CAMRY | 06/88 - 03/93 | (SV21) V6 SEDAN | CT057.101B | | CT057.847 | |
| TOYOTA | CAMRY | 07/91 - 12/92 | (SV21) ULTIMA SEDAN | CT057.101B | | CT057.847 | |
| TOYOTA | CAMRY | 05/91 - 09/92 | (SV21) CSI SEDAN | CT057.101B | | CT052.846 | |
| TOYOTA | CAMRY | 03/93 - 04/94 | (SDV10) EXECUTIVE SEDAN | CT062.101B | | CT067.809 | |
| TOYOTA | CAMRY | 03/93 - 09/95 | (VDV10) VIENTA EXECUTIVE, VIENTA CSI WAGON | CT062.101B | | CT063.837 | |
| TOYOTA | CAMRY | 03/93 - 09/95 | (VDV10) VIENTA CSI, VIENTA EXECUTIVE SEDAN | CT062.101B | | CT067.809 | |
| TOYOTA | CAMRY | 03/93 - 09/95 | (VDV10) VIENTA CSX WAGON | CT062.101B | | CT069.873 | |
| TOYOTA | CAMRY | 03/93 - 08/95 | (SDV10, VDV10) ULTIMA, VIENTA ULTIMA SEDAN | CT065.101B | | CT065.847 | |
| TOYOTA | CAMRY | 03/93 - 08/97 | (SDV10) CSI, CS-X SEDAN | CT062.101B | | CT221.847 | 60% LAPSASH |
| TOYOTA | CAMRY | 03/93 - 03/98 | (SDV10) EXECUTIVE, CSI WAGON | CT062.101B | | CT063.837 | |
| TOYOTA | CAMRY | 08/97 - 08/02 | (MCV20, SXV20) ADVANTAGE, CSI, INTRIGUE, TOURING SEDAN | CT222.102 | | CT222.882 | |
| TOYOTA | CAMRY | 08/97 - 08/02 | (MCV20, SXV20) CSX, CONQUEST SEDAN | CT222.102 | | CT223.881 | 40% LAPSASH |
| TOYOTA | CAMRY | 08/97 - 08/02 | (MCV20, SXV20) CSI, CONQUEST SEDAN | CT222.102 | | CT224.883 | 40% LAPSASH |
| TOYOTA | CAMRY | 05/98 - 08/02 | (MCV20, SXV20) CSI, CONQUEST WAGON | CT222.102 | | CT225.891 | |
| TOYOTA | CAMRY | 09/02 - 06/06 | (ACV36R, ACV40R) ALTISE SEDAN | CT215.102C | | CT215.809 | |
| TOYOTA | CAMRY | 09/02 - 06/06 | (MCV36) ATEVA SEDAN | CT216.102C | | CT216.950 | |
| TOYOTA | CAMRY | 09/02 - 06/06 | (ACV36R, MCV36R) AZURA, SPORTIVO SEDAN | CT217.102C | | CT216.950 | |
| TOYOTA | CAMRY | 10/03 - 06/06 | (MCV36R) ALTISE SPORT SEDAN | CT217.102C | | CT216.950 | |
| TOYOTA | CAMRY | 07/06 - 01/12 | (ACV40R) ALTISE, TOURING SE SEDAN | CT289.102C | | CT287.993 | |
| TOYOTA | CAMRY | 07/06 - 01/12 | (ACV40R) SPORTIVO SEDAN | CT288.111 | | CT288.945 | |
| TOYOTA | CAMRY | 07/06 - 01/12 | (ACV40R) GRANDE, ATEVA SEDAN | CT289.102C | | CT289.952 | |
| TOYOTA | CAMRY | 01/10 - 02/12 | (AHV40R) HYBRID SEDAN | CT289.102C | | CT289.952 | |

| MAKE | MODEL | YEAR | SERIES & SUB MODEL | Front Pattern Number | Middle Pattern Number | Rear Pattern Number | Notes |
|--------|-------------|-----------------|---|----------------------|-----------------------|---------------------|---|
| TOYOTA | CAMRY | 12/11 - 10/17 | (ASV50R) ALTISE, ATARA, RZ SEDAN | TOY1032.102C | | TOY5026.1043 | RM1032 - G2B, EMB, WEB. RM5026 - G2B, WEB. PFM |
| TOYOTA | CAMRY | 12/11 - 10/17 | (AVV50R) HYBRID SEDAN | TOY1032.102C | | CT401.1043 | RM1032 - G2B, EMB, WEB. |
| TOYOTA | CAMRY | 11/17 - 06/24 | (70 SERIES) HYBRID - ASCENT, ASCENT SPORT, SL, SX SEDAN | TOY1177.121 | | TOY5171.1043 | RM - EMB, GBB. PFM |
| TOYOTA | CAMRY | 11/17 - 06/24 | (70 SERIES) FUEL - ASCENT, ASCENT SPORT, SL, SX SEDAN | TOY1177.121 | | CT471.1043 | RM1171 - EMB, GBB. PFM |
| TOYOTA | CAMRY | 06/24 - CURRENT | (80 SERIES) HYBRID - ASCENT, ASCENT SPORT, SL SEDAN | TOY1575.121 | | TOY5411.1043 | |
| TOYOTA | CELICA | 75 - 79 | (RA28) 2DR COUPE | | | CT048.702 | |
| TOYOTA | CELICA | 77 - 81 | (RA40) LT 2DR COUPE | | | CT042.806 | |
| TOYOTA | CELICA | 77 - 81 | (RA40) 2DR COUPE | | | CT047.702 | |
| TOYOTA | CELICA | 07/81 - 12/85 | (MA61) LIFT BACK | | | CT040.707 | |
| TOYOTA | CELICA | 08/86 - 05/88 | (ST162) SX, ST, XT 2DR LIFTBACK | | | CT043.806 | |
| TOYOTA | CELICA | 05/88 - 08/89 | (STR162) SX LIFT BACK | CT041.105 | | CT041.806 | OPT 6 WAT SPORT SEAT |
| TOYOTA | CELICA | 05/88 - 08/89 | (STR162) SX LIFT BACK | CT045.101A | | CT045.806 | |
| TOYOTA | CELICA | 10/89 - 09/93 | (ST185) LIFT BACK | CT046.102B | | | |
| TOYOTA | CELICA | 03/94 - 97 | (ST204) SX, ZR LIFT BACK | CT049.101 | | CT049.806 | |
| TOYOTA | CELICA | 09/94 - 08/99 | (ST202) 2DR CONVERTIBLE | CT252.102C | | | |
| TOYOTA | CELICA | 97 - 11/99 | (ST204) ALL BADGES LIFTBACK | CT251.102C | | CT251.806 | |
| TOYOTA | CELICA | 08/99 - 04/06 | (ZZT231R) SX, ZR 2DR HATCH | CT253.140 | | CT253.707 | |
| TOYOTA | C-HR | 02/17 - 10/23 | (NGX10R, NGX50R) KOBA 4DR WAGON | TOY1178.121 | | TOY5172.944 | RM - WEB |
| TOYOTA | C-HR HYBRID | 10/19 - 10/23 | (ZYX10R) GRS, KOBA SUV | TOY1456.121 | | TOY5364.944 | |
| TOYOTA | C-HR HYBRID | 10/23 - CURRENT | (MAXH25R, ZYX20R) GR SPORT, GXL, KOBA SUV | N/A | | TOY5364.944 | |
| TOYOTA | COASTER | 04/17 - CURRENT | (XZB70R) DELUXE, STANDARD 22 SEAT BUS | TOY1340.172 | SEE NOTES | SEE NOTES | AOF PATTERN ONLY AVAILABLE. ROW 2 = TOY5280.1133 ROW 3 = TOY5281.1135 ROW 4, 5, 6 & 8 = TOY5282.1134 ROW 7 = TOY5283.1134 |
| TOYOTA | COASTER | 04/17 - CURRENT | (XZB70R) DELUXE & STANDARD WITH SEAT SENSOR POCKET UNDER BASE 22 SEAT BUS | TOY1340.172 | SEE NOTES | SEE NOTES | AOF PATTERN ONLY AVAILABLE. ROW 2 = TOY5294.1133 ROW 3 = TOY5295.1135 ROW 4, 5, 6 & 8 = TOY5296.1134 ROW 7 = TOY5297.1134 |
| TOYOTA | COROLLA | 08/74 - 08/79 | (KE30) ALL BADGES SEDAN | | | CT017.702 | |
| TOYOTA | COROLLA | 10/81 - 04/85 | (KE70) ALL BADGES WAGON | | | CT001.702 | |
| TOYOTA | COROLLA | 10/81 - 04/85 | (KE70) ALL BADGES SEDAN | | | CT002.802 | |
| TOYOTA | COROLLA | 09/85 - 05/89 | (AE82) CS-X SECA HATCH | CT004.101 | | CT004.821 | |
| TOYOTA | COROLLA | 09/85 - 05/89 | (AE82) CS SECA, SE HATCH | | | CT005.806 | |
| TOYOTA | COROLLA | 09/85 - 05/89 | (AE82) S, CS HATCH | | | CT009.806 | |
| TOYOTA | COROLLA | 05/85 - 05/89 | (AE82) ALL BADGES SEDAN | | | CT003.707 | |
| TOYOTA | COROLLA | 01/86 - 05/89 | (AE82) TWIN CAM SECA HATCH | | | CT004.821 | |
| TOYOTA | COROLLA | 04/88 - 09/95 | (AE95) SR5 WAGON | CT010.102 | | CT010.808 | |
| TOYOTA | COROLLA | 06/89 - 90 | (AE90) SX HATCH | | | CT011.510 | |
| TOYOTA | COROLLA | 06/89 - 06/91 | (AE90) SE HATCH | | | CT012.836 | |
| TOYOTA | COROLLA | 06/89 - 06/91 | (AE90) CS SEDAN | CT010.102 | | CT013.808 | |
| TOYOTA | COROLLA | 06/89 - 07/91 | (AE95) SECA, SECA CS LIFTBACK | CT014.102 | | CT014.829 | |
| TOYOTA | COROLLA | 06/89 - 94 | (AE92, AE95) SECA CS-X LIFTBACK | CT014.102 | | CT015.510 | |
| TOYOTA | COROLLA | 06/89 - 09/94 | (AE92) CS-X, CSI, CS SEDAN | CT014.102 | | CT016.808 | |
| TOYOTA | COROLLA | 09/94 - 06/96 | (AE102R) RV SECA HATCH | CT014.102 | | CT014.829 | |
| TOYOTA | COROLLA | 09/94 - 12/99 | (AE101R, AE102R) CONQUEST, CSI SEDAN | CT014.102 | | CT019.809 | |
| TOYOTA | COROLLA | 07/96 - 12/99 | (AE102R) CONQUEST SECA HATCH | CT035.101C | | CT035.808 | |
| TOYOTA | COROLLA | 09/96 - 12/99 | (AE101R, AE102R) CSI SECA, CS-X SECA, RV SECA HATCH | CT034.102 | | CT034.808 | |
| TOYOTA | COROLLA | 11/98 - 12/99 | (AE112R) CONQUEST LIFTBACK | CT037.102 | | CT037.896 | |
| TOYOTA | COROLLA | 11/99 - 11/01 | (AE112R) ASCENT, CONQUEST SEDAN | CT037.102 | | CT038.717 | |
| TOYOTA | COROLLA | 11/99 - 11/01 | (AE112R) ULTIMA SECA LIFTBACK | CT290.108C | | CT037.896 | |
| TOYOTA | COROLLA | 11/99 - 11/01 | (AE112R) ULTIMA SEDAN | CT290.108C | | | |
| TOYOTA | COROLLA | 12/01 - 04 | (ZZE122R) ASCENT, CONQUEST SEDAN | CT039.102C | | CT039.926 | |

| MAKE | MODEL | YEAR | SERIES & SUB MODEL | Front Pattern Number | Middle Pattern Number | Rear Pattern Number | Notes |
|--------|---------------|-----------------|---|----------------------|-----------------------|---------------------|--|
| TOYOTA | COROLLA | 12/01 - 01/06 | (ZZE122R) ASCENT SECA, CONQUEST SECA, ULTIMA SECA HATCH | CT292.102C | | CT292.928 | |
| TOYOTA | COROLLA | 12/01 - 04/07 | (ZZE122R) ASCENT, CONQUEST, LEVIN WAGON | CT039.102C | | CT292.928 | |
| TOYOTA | COROLLA | 12/01 - 04/07 | (ZZE122R) ULTIMA SEDAN | | | CT039.926 | |
| TOYOTA | COROLLA | 04 - 01/06 | (ZZE122R) ASCENT, ASCENT SPORTS, CONQUEST SEDAN | CT295.102C | | CT039.926 | |
| TOYOTA | COROLLA | 06/04 - 01/06 | (ZZE122R) ASCENT SPORT SECA HATCH | CT296.102C | | CT296.909 | |
| TOYOTA | COROLLA | 01/06 - 04/07 | (ZZE122R) ASCENT SECA, ASCENT SPORT SECA, CONQUEST SECA HATCH | CT297.102C | | CT292.928 | |
| TOYOTA | COROLLA | 01/06 - 04/07 | (ZZE122R) ASCENT SEDAN | CT297.102C | | CT039.926 | |
| TOYOTA | COROLLA | 05/07 - 09/12 | (ZRE152R) ASCENT, CONQUEST, EDGE, LEVIN SX HATCH | CT388.102C | | CT388.969 | |
| TOYOTA | COROLLA | 05/07 - 09/12 | (ZRE152R) LEVIN SX, LEVIN ZR HATCH | CT388.102C | | CT389.972 | |
| TOYOTA | COROLLA | 05/07 - 01/14 | (ZRE152R) CONQUEST, ASCENT SEDAN | CT299.102C | | CT299.950 | |
| TOYOTA | COROLLA | 10/12 - 05/15 | (ZRE182R) LEVIN SX, LEVIN ZR HATCH | TOY1161.121C | | TOY5025.965 | RM5025 - G2B, WEB, PFM |
| TOYOTA | COROLLA | 10/12 - 08/18 | (ZRE182R) ASCENT, ASCENT SPORT, ZR HATCH | TOY1031.102C | | TOY5025.965 | RM - G2B, WEB, PFM |
| TOYOTA | COROLLA | 12/13 - 08/19 | (ZRE172R) ASCENT, SX, ZR SEDAN | CT394.102C | | CT394.924 | |
| TOYOTA | COROLLA | 06/16 - 08/18 | (ZWE186R) HYBRID HATCH | CT475.102C | | CT475.965 | PFM |
| TOYOTA | COROLLA | 08/18 - CURRENT | (MZE12R) ASCENT SPORT, SX HATCH | TOY1302.121 | | CT480.1032 | RM1302 - EMB, GBB, WEB |
| TOYOTA | COROLLA | 08/18 - CURRENT | (ZWE211R, ZWE219R) HYBRID - ASCENT SPORT, SX HATCH | TOY1302.121 | | TOY5253.1032 | RM1302 - EMB, GBB, WEB, RM5253 - EMB, GBB. |
| TOYOTA | COROLLA | 08/18 - CURRENT | (MZE12R) ZR HATCH | TOY1096.105 | | CT480.1032 | |
| TOYOTA | COROLLA | 08/18 - CURRENT | (ZWE211R, ZWE219R) ZR HYBRID HATCH | TOY1096.105 | | TOY5253.1032 | RM5253 - EMB, GBB. |
| TOYOTA | COROLLA | 09/19 - CURRENT | (MZE12R) ZR SEDAN | TOY1342.105 | | TOY5293.1138 | |
| TOYOTA | COROLLA | 09/19 - CURRENT | (ZWE211R, ZWE219R) ZR HYBRID SEDAN | TOY1342.105 | | TOY5299.1138 | |
| TOYOTA | COROLLA | 09/19 - CURRENT | (ZWE211R, ZWE219R) HYBRID - ASCENT SPORT, SX SEDAN | TOY1302.121 | | TOY5196.1103 | RM1302 - EMB, GBB, WEB |
| TOYOTA | COROLLA | 09/19 - CURRENT | (MZE12R) ASCENT SPORT, SX SEDAN | TOY1302.121 | | TOY5197.1103 | RM1302 - EMB, GBB, WEB |
| TOYOTA | COROLLA CROSS | 07/22 - CURRENT | HYBRID ATMOS SUV | TOY1401.121 | | TOY5325.965 | RM1401 - G2B, GBB, WEB |
| TOYOTA | COROLLA CROSS | 07/22 - CURRENT | HYBRID GX, HYBRID GXL SUV | TOY1401.121 | | TOY5331.909 | RM - G2B, GBB, WEB |
| TOYOTA | CORONA | 74 - 83 | (RT104, RT118, RT132, RT133) SE, CS SEDAN | | | CT020.802 | |
| TOYOTA | CORONA | 78 - 89 | LIFT BACK | | | CT027.806 | |
| TOYOTA | CORONA | 08/83 - 04/87 | (RT142, ST141) AVANTE, CS, CSX, CSI SEDAN | | | CT021.816 | |
| TOYOTA | CORONA | 08/83 - 04/87 | (ST141) CS, S WAGON | | | CT025.806 | |
| TOYOTA | CRESSIDA | 81 - 88 | (GX, LX, MX, RX, SX) GL, GLI SEDAN | | | CT113.803 | |
| TOYOTA | CRESSIDA | 81 - 88 | (GX, LX, MX, RX, SX) MX73 GLXI SEDAN | CT116.101B | | CT116.801 | |
| TOYOTA | CRESSIDA | 10/88 - 01/93 | (MX83) GLX SEDAN | CT116.101B | | CT116.801 | |
| TOYOTA | CRESSIDA | 10/88 - 01/93 | GRANDE | CT116.101B | | CT117.801 | |
| TOYOTA | CROWN | 66 - 71 | SEDAN | | | CT112.805 | |
| TOYOTA | CROWN | 71 - 79 | SEDAN | CT111.101 | | CT111.803 | |
| TOYOTA | CROWN | 08/83 - 08/87 | (MS123) ROYAL SALOON SEDAN | | | CT113.803 | |
| TOYOTA | DYNA | 80 - 85 | (RY31) TOYOACE 2DR BUS | CT205.302 | | | |
| TOYOTA | DYNA | 11/85 - 06/95 | 100-200 SERIES | CT200.400 | | CT200.701 | |
| TOYOTA | DYNA | 08/88 - 05/95 | 300 SERIES DUAL CAB | CT201.400 | | CT206.701 | |
| TOYOTA | DYNA | 05/95 - 07/01 | 100 -150 SERIES TRUCK | CT202.303 | | | |
| TOYOTA | DYNA | 05/99 - 01/04 | 200 LONG, 200 WIDE TRUCK | CT207.411 | | | |
| TOYOTA | DYNA | 12/99 - 01/04 | 200 SERIES TRUCK | CT203.410 | | | |
| TOYOTA | ECHO | 10/99 - 03 | (NCP10R) HATCH | CT280.102C | | CT280.896 | |
| TOYOTA | ECHO | 10/99 - 03 | (NCP12R) SEDAN | CT280.102C | | CT281.704 | |
| TOYOTA | ECHO | 03 - 10/05 | (NCP12R) SEDAN | CT282.102C | | CT282.887 | |
| TOYOTA | ECHO | 03 - 10/05 | (NCP10R) HATCH | CT280.102C | | CT283.896 | REAR MID HEADREST SMALLER |
| TOYOTA | ESTIMA | 01/92 - 12/99 | (CXR, TCR) EMINA WAGON | CT029.102 | CT029.505 | TOY9059.709 | |
| TOYOTA | FJ CRUISER | 03/11 - 12/16 | (GSJ15R) 4X4 WAGON | TOY1179.107C | | CT384.969 | RM1179 - G2B |
| TOYOTA | FORTUNER | 11/15 - CURRENT | (GUN156R) ALL BADGES SUV | TOY1303.102C | TOY5256.987 | TOY9060.931 | RM1303 & RM5256 - G2B, GBB. |

| MAKE | MODEL | YEAR | SERIES & SUB MODEL | Front Pattern Number | Middle Pattern Number | Rear Pattern Number | Notes |
|--------|---------|-----------------|--|----------------------|---|---------------------|---|
| TOYOTA | GRANVIA | 07/19 - CURRENT | (GDH303) 6 & 8 SEAT STANDARD (EXCLUDES VX 2ND ROW) 4DR VAN | TOY1235.102C | TOY5214.1109 | TOY9028.977 | CONFIGURATION VARIES, REFER TO IMAGES. 8 SEAT MIDDLE ROWS ARE X 2 OF TOY5214.1109 |
| TOYOTA | HIACE | 71 - 85 | CAB CHASSIS | CT141.308 | | | |
| TOYOTA | HIACE | 77 - 08/89 | COMMERCIAL VAN | CT137.402 | | | |
| TOYOTA | HIACE | 12/82 - 83 | COMMUTER BUS (5 ROWS) | TOY1560.305 | TOY5402.501 | TOY9061.701 | ROW 1 = 1560, ROW 2, 3 & 4 = 5402, ROW 5 = 9061 |
| TOYOTA | HIACE | 83 - 01/84 | COMMUTER BUS (5 ROWS) | TOY1560.305 | TOY5402.501 | TOY9062.702 | ROW 1 = 1560, ROW 2, 3 & 4 = 5402, ROW 5 = 9062 |
| TOYOTA | HIACE | 08/87 - 08/89 | WINDOW PEOPLE MOVER | TOY1560.305 | | CT136.704 | |
| TOYOTA | HIACE | 10/99 - 02/05 | (100 SERIES) SBV | CT300.107C | | | |
| TOYOTA | HIACE | 10/89 - 09/98 | COMMERCIAL VAN | CT139.303 | | CT139.702 | |
| TOYOTA | HIACE | 10/89 - 02/05 | COMMUTER BUS (5 ROWS) | TOY1561.303 | TOY5403.501 TOY5404.501 | TOY9063.702 | ROW 1 = 1561, ROW 2 = 5403, ROW 3 & 4 = 5404, ROW 5 = 9063 |
| TOYOTA | HIACE | 09/98 - 07/04 | COMMERCIAL VAN | CT148.405 | | | |
| TOYOTA | HIACE | 03/05 - 14 | LWB, SLWB VAN BUCKET & 3/4 BENCH | TOY1025.304 | | | RM - TRG. AO AVAILABLE. PFM |
| TOYOTA | HIACE | 03/05 - 14 | LWB, SLWB VAN, 3 BUCKET SEATS (SMALL CENTRE BUCKET) | CT302.402 | | | PFM |
| TOYOTA | HIACE | 01/05 - 01/19 | (KDH, TRH) COMMUTER BUS 12 & 14 SEAT | TOY1034.110 | TOY5387.1164 TOY5388.1009 | TOY9057.1155 | RM1034 - TRB, TRG. AO AVAILABLE 1034. ROW 2 = 5387, ROW 3 & 4 = 5388, ROW 5 = 9057. CONFIGURATIONS VARY, CHECK IMAGES. |
| TOYOTA | HIACE | 01/05 - 01/19 | (KDH) COMMUTER BUS 10 SEAT | TOY1034.110 | TOY5284.1137 TOY5285.1136 | TOY5285.1136 | RM1034 - TRB, TRG. AO AVAILABLE 1034. VARIOUS SEAT CONFIGURATIONS AVAILABLE, PLEASE CHECK IMAGES. ROW 2 = 5284, ROW 3 & 4 = 5285 |
| TOYOTA | HIACE | 14/01/2019 | LWB CREW VAN | TOY1034.110 | | TOY5082.704 | RM1034 - TRB, TRG. AO AVAILABLE 1034. PFM |
| TOYOTA | HIACE | 14 - 01/19 | LWB, SLWB VAN, BUCKET SEATS | TOY1034.110 | | | RM1034 - TRB, TRG. AO AVAILABLE. PFM |
| TOYOTA | HIACE | 02/15 - CURRENT | LWB VAN WITH FOLDING DICKIE SEAT | TOY1205.157 | | | |
| TOYOTA | HIACE | 02/19 - CURRENT | LWB & SLWB VAN 2 SEATS | TOY1121.102C | | | RM - EMB, G2B, STB, STC, TRB, TRG. AO AVAILABLE. |
| TOYOTA | HIACE | 02/19 - CURRENT | LWB CREW VAN 5 SEATS | TOY1121.102C | | TOY5118.896 | RM1121 - EMB, G2B, STB, STC, TRB, TRG. AO AVAILABLE 1121. |
| TOYOTA | HIACE | 02/19 - CURRENT | (GDH) SLWB & GL 12 SEAT COMMUTER BUS 5 ROWS | TOY1121.102C | TOY5119.821 TOY5309.1009 TOY5120.1009 | TOY9014.821 | RM1121 - EMB, G2B, STB, STC, TRB, TRG. AOF AVAILABLE ALL ROWS. ROW 1 = 1121, ROW 2 = 5119, ROW 3 = 5309, ROW 4 = 5120, ROW 5 = 9014 |
| TOYOTA | HIACE | 02/19 - CURRENT | (GDH) SLWB & GL 12 SEAT COMMUTER BUS 5 ROWS WITH SEAT SENSOR POCKET UNDER BASE | TOY1121.102C | TOY5300.821 TOY5308.1009 TOY5301.1009 | TOY9041.821 | RM1121 - EMB, G2B, STB, STC, TRB, TRG. AOF AVAILABLE ALL ROWS. ROW 2 - 5 ARE A/O ONLY (NO POLY PATTERN). ROW 1 = 1121, ROW 2 = 5300, ROW 3 = 5308, ROW 4 = 5301, ROW 5 = 9041 |
| TOYOTA | HIACE | 02/19 - CURRENT | (GDH) 11 SEAT COMMUTER BUS 4 ROWS | TOY1121.102C | TOY5119.821 TOY5248.1125 | TOY9034.1126 | RM1121 - EMB, G2B, STB, STC, TRB, TRG. AOF AVAILABLE 1121 & 5119. ROW 1 = 1121, ROW 2 = 5119, ROW 3 = 5248, ROW 4 = 9034 |
| TOYOTA | HIACE | 02/19 - CURRENT | (GDH) LWB & SLWB COMMERCIAL VAN | TOY1566.241 | | TECS423.1163 | FRONT FOLDING CENTRE SEAT WITH CUP HOLDERS. SECOND ROW IS AN AFTERMARKET TECHSAFE SAFETY EXCEL TRIPLE SEAT - ARMRESTS NOT COVERED |
| TOYOTA | HILUX | 11/81 - 10/83 | (LN46) UTE | CT130.203 | | | |
| TOYOTA | HILUX | 11/81 - 10/83 | (LN46) UTE | CT131.206 | | | |
| TOYOTA | HILUX | 01/83 - 09/88 | DUAL CAB | CT132.401 | | CT132.701 | |
| TOYOTA | HILUX | 11/83 - 11/97 | ALL BADGES 2WD UTILITY | TOY1613.203 | | | |
| TOYOTA | HILUX | 11/83 - 12/00 | ALL BADGES 4WD UTILITY | CT152.203 | | | |
| TOYOTA | HILUX | 84 - 06/00 | SURF WAGON | CT074.101C | | CT074.709 | |
| TOYOTA | HILUX | 10/87 - 09/88 | (YN58) CAB CHASSIS, UTE 4WD | CT132.401 | | | |
| TOYOTA | HILUX | 10/87 - 89 | SR5 DUAL CAB | | | CT133.702 | |
| TOYOTA | HILUX | 10/87 - 89 | UTE, CAB CHASSIS 2WD | CT153.401 | | | |
| TOYOTA | HILUX | 10/88 - 11/97 | (80-90 SERIES) 2WD UTE, TRAY BACK | CT181.401 | | | |
| TOYOTA | HILUX | 10/88 - 11/97 | (100 SERIES) 4WD UTE, TRAY BACK | CT182.401 | | | |
| TOYOTA | HILUX | 10/88 - 11/97 | (90 SERIES) 2WD UTE | CT183.101 | | | |
| TOYOTA | HILUX | 10/88 - 11/97 | DUAL CAB | CT183.101 | | CT183.701 | |
| TOYOTA | HILUX | 91 - 11/97 | SR5 DUAL CAB 4WD | | | CT180.701 | |
| TOYOTA | HILUX | 09/91 - 11/97 | (LN86) AUTOMATIC | CT188.301 | | | |
| TOYOTA | HILUX | 11/97 - 04/05 | SINGLE CAB, BUCKET & 3/4 BENCH | TOY1507.401 | | | |
| TOYOTA | HILUX | 11/97 - 04/05 | SINGLE CAB, BUCKET SEATS | CT190.102C | | | |
| TOYOTA | HILUX | 11/97 - 04/05 | EXTRA CAB | CT190.102C | | CT190.958 | |
| TOYOTA | HILUX | 11/97 - 04/05 | STANDARD DUAL CAB | CT190.102C | | TOY5381.927 | |
| TOYOTA | HILUX | 11/97 - 04/05 | SR5 DUAL CAB | CT184.102B | | TOY5381.927 | |

| MAKE | MODEL | YEAR | SERIES & SUB MODEL | Front Pattern Number | Middle Pattern Number | Rear Pattern Number | Notes |
|--------|---------------------|-----------------|--|----------------------|-----------------------|---------------------|--|
| TOYOTA | HILUX | 01 - 05 | SR5 4WD DUAL CAB | CT189.102C | | | LUMBAR ALLOWANCE ON DRIVERS INSIDE |
| TOYOTA | HILUX | 05/05 - 08/06 | SR DUAL CAB | TOY1048.102C | | CT303.974 | RM1048 - G2B, TRB, TRG. AO AVAILABLE. |
| TOYOTA | HILUX | 05/05 - 08/06 | SR5 DUAL CAB | TOY1048.102C | | TOY5023.998 | RM - G2B, TRB, TRG. A/O AVAILABLE. |
| TOYOTA | HILUX | 05/05 - 06/11 | WORKMATE, SR SINGLE CAB, BUCKET SEATS | TOY1048.102C | | | RM - G2B, TRB, TRG. A/O AVAILABLE. |
| TOYOTA | HILUX | 05/05 - 06/11 | SR, SR5 EXTRA CAB | TOY1048.102C | | CT190.958 | RM1048 - G2B, TRB, TRG. AO AVAILABLE 1048. |
| TOYOTA | HILUX | 05/05 - 06/15 | WORKMATE, SR SINGLE CAB, BUCKET & 3/4 BENCH | TOY1026.301 | | | RM - TRB, TRG. AO AVAILABLE. |
| TOYOTA | HILUX | 05/05 - 09/15 | WORKMATE DUAL CAB | TOY1026.301 | | TOY5023.998 | RM1026 - TRB, TRG. RM5023 - G2B, TRB, TRG. AO AVAILABLE. |
| TOYOTA | HILUX | 08/06 - 07/09 | SR, SR5 DUAL CAB | TOY1048.102C | | TOY5023.998 | RM - G2B, TRB, TRG. AO AVAILABLE. |
| TOYOTA | HILUX | 08/09 - 09/15 | SR, SR5 DUAL CAB (4X2 ONLY) | TOY1048.102C | | TOY5023.998 | RM - G2B, TRB, TRG. AO AVAILABLE. CC10 - ANB & STC |
| TOYOTA | HILUX | 08/09 - 09/15 | SR, SR5 DUAL CAB (4X4 ONLY) | TOY1001.102C | | TOY5023.998 | RM1001 - G2B, GBB, TRB, TRG. RM5023 - G2B, TRB, TRG. AO AVAILABLE. CC10 - ANB & STC |
| TOYOTA | HILUX | 07/11 - 09/15 | SR, WORKMATE SINGLE CAB, BUCKET SEATS (4X2 ONLY) | TOY1048.102C | | | RM - G2B, TRB, TRG. AO AVAILABLE. CC10 - ANB & STC |
| TOYOTA | HILUX | 07/11 - 09/15 | SR, WORKMATE SINGLE CAB, BUCKET SEATS (4X4 ONLY) | TOY1001.102C | | | RM - G2B, GBB, TRB, TRG. AO AVAILABLE. CC10 - ANB & STC |
| TOYOTA | HILUX | 07/11 - 09/15 | SR, SR5 EXTRA CAB (4X2 ONLY) | TOY1048.102C | | TOY5028.958 | RM1048 - G2B, TRB, TRG. RM5028 - TRG. AO AVAILABLE. CC10 - ANB & STC |
| TOYOTA | HILUX | 07/11 - 09/15 | SR, SR5 EXTRA CAB (4X4 ONLY) | TOY1001.102C | | TOY5028.958 | RM1001 - G2B, GBB, TRB, TRG. RM5028 - TRG. AO AVAILABLE. CC10 - ANB & STC |
| TOYOTA | HILUX | 10/15 - 08/25 | (100 SERIES) ROGUE, RUGGED, RUGGED X, SR, SR5 DUAL CAB | TOY1005.102C | | TOY5029.1061 | RM1005 - G2B, GBB, GBL, RCB, STB, STC, TRB, TRG, WEB. RM5029 - G2B, GBB, STC, TRB, TRG, WEB. AOF AVAILABLE. PFM. CC01 - ANB & STC |
| TOYOTA | HILUX | 10/15 - 08/25 | (100 SERIES) SR, WORKMATE SINGLE CAB BUCKET SEATS | TOY1035.110 | | | RM - G2B, GBB, STB, STC, TRB, TRG. AOF AVAILABLE. |
| TOYOTA | HILUX | 10/15 - 08/25 | (100 SERIES) SR, SR5, WORKMATE EXTRA CAB | TOY1005.102C | | TOY5030.1062 | RM1005 - G2B, GBB, GBL, RCB, STB, STC, TRB, TRG, WEB. RM5030 - TRG. AOF AVAILABLE. |
| TOYOTA | HILUX | 10/15 - 08/25 | (100 SERIES) WORKMATE DUAL CAB | TOY1005.102C | | TOY5377.998 | RM1005 - G2B, GBB, GBL, RCB, STB, STC, TRB, TRG, WEB. RM5377 - TRB. AOF AVAILABLE. PFM |
| TOYOTA | HILUX | 05/23 - 08/25 | (100 SERIES) GR-SPORT DUAL CAB | TOY1516.102C | | TOY5029.1061 | RM5029 - G2B, GBB, STC, TRB, TRG, WEB. 5029 - AOF AVAILABLE. PFM. CC01 - ANB & STC |
| TOYOTA | HILUX | 01/24 - 08/25 | (100 SERIES) 48V-SR, 48V-SR5 DUAL CAB | TOY1005.102C | | TOY5029.1061 | RM1005 - G2B, GBB, GBL, RCB, STB, STC, TRB, TRG, WEB. RM5029 - G2B, GBB, STC, TRB, TRG, WEB. AOF AVAILABLE. CC01 - ANB & STC |
| TOYOTA | HILUX | 08/25 - CURRENT | (200 SERIES) WORKMATE SINGLE CAB | TOY1647.110 | | | |
| TOYOTA | HILUX | 08/25 - CURRENT | (200 SERIES) SR, SR5 DUAL CAB | TOY1638.216 | | TOY5029.1061 | RM5029 - G2B, GBB, STC, TRB, TRG, WEB. AOF AVAILABLE |
| TOYOTA | HILUX | 08/25 - CURRENT | (200 SERIES) 48V-SR, 48V-SR5 DUAL CAB | TOY1005.102C | | TOY5029.1061 | RM1005 - G2B, GBB, GBL, RCB, STB, STC, TRB, TRG, WEB. RM5029 - G2B, GBB, STC, TRB, TRG, WEB. AOF AVAILABLE. CC01 - ANB & STC |
| TOYOTA | HILUX | 08/25 - CURRENT | (200 SERIES) WORKMATE DUAL CAB | TOY1670.102C | | TOY5377.998 | RM5377 - TRB. AOF AVAILABLE. |
| TOYOTA | IPSUM | 05/01 - 12/09 | (ACM21, ACM26) ALL BADGES WAGON | CT308.107C | CT308.978 | TOY9058.865 | |
| TOYOTA | IPSUM | 05/01 - 12/09 | (ACM21, ACM26) ALL BADGES WAGON | CT308.107C | CT309.932 | TOY9058.865 | |
| TOYOTA | KLUGER | 11/03 - 07/07 | (MCU28R) CV 5 SEAT SUV | CT266.107 | | CT266.972 | MANUAL ALLOWANCES ON FRONT SEAT |
| TOYOTA | KLUGER | 11/03 - 07/07 | (MCU28R) CV 5 SEAT SUV | TOY1265.107 | | CT266.972 | ELECTRIC ALLOWANCES ON FRONT SEATS |
| TOYOTA | KLUGER | 11/03 - 07/07 | (MCU28R) ALL BADGES 7 SEAT SUV | CT266.107 | CT266.972 | TOY9022.1099 | MANUAL ALLOWANCES ON FRONT SEAT |
| TOYOTA | KLUGER | 11/03 - 07/07 | (MCU28R) ALL BADGES 7 SEAT SUV | TOY1265.107 | CT266.972 | TOY9022.1099 | ELECTRIC ALLOWANCES ON FRONT SEATS |
| TOYOTA | KLUGER | 08/07 - 02/14 | (GSU40R, GSU45R) ALL BADGES 7 SEAT SUV | TOY1500.102C | TOY5382.1011B | N/A | RM1500 - EMB, GBB. RM5382 - GBB. MIDDLE ROW - RETRACTABLE SEAT BELT ON DRIVERS SIDE, TOP OF BACK REST |
| TOYOTA | KLUGER | 08/07 - 02/14 | (GSU40R, GSU45R) KX-R 5 SEAT SUV | TOY1500.102C | | CT269.1011A | RM1500 - EMB, GBB. REAR ROW - RETRACTABLE SEAT BELT ON PASSENGERS SIDE, TOP OF BACK REST |
| TOYOTA | KLUGER | 03/14 - 03/21 | (GSU50R, GSU55R) GX SUV | TOY1182.102C | TOY5076.978 | TOY9064.1055 | RM1182 - EMB, G2B. RM5076 - G2B, GBB, WEB |
| TOYOTA | KLUGER | 03/14 - 03/21 | (GSU50R, GSU55R) GXL BLACK EDITION, GXL, GRANDE SUV | TOY1079.102C | TOY5076.978 | TOY9064.1055 | RM1079 - G2B, EMB, WEB. RM5076 - G2B, GBB, WEB. |
| TOYOTA | KLUGER | 03/21 - CURRENT | (AXUH78R, GSU70R, GSU75R, TXUA70R) ALL BADGES SUV | TOY1312.121 | TOY5262.978 | TOY9036.504 | RM - EMB, GBB |
| TOYOTA | LANDCRUISER BUNDERA | 85 - 91 | (70 SERIES) MWB, SWB SUV | CT100.301 | | CT100.704 | |
| TOYOTA | LANDCRUISER BUNDERA | 85 - 91 | (70 SERIES) SWB 2DR HARD TOP SUV | CT108.102 | | CT108.704 | |
| TOYOTA | LANDCRUISER PRADO | 07/96 - 97 | (VZJ95) GXL SUV | CT230.102 | CT230.704 | TOY9065.503 | |
| TOYOTA | LANDCRUISER PRADO | 07/96 - 08/99 | (VZJ95) RV6 SUV | CT230.102 | CT230.704 | TOY9065.503 | |
| TOYOTA | LANDCRUISER PRADO | 07/96 - 08/99 | (VZJ95) GRANDE VX SUV | CT232.102 | CT232.801 | TOY9065.503 | |
| TOYOTA | LANDCRUISER PRADO | 07/96 - 00 | (VZJ95) RV 5 SEAT SUV | CT230.102 | | CT231.708 | |
| TOYOTA | LANDCRUISER PRADO | 98 - 08/99 | (RZJ95, VZJ95) GXL, RV 7 SEAT SUV | CT230.102 | CT230.704 | TOY9066.709 | |
| TOYOTA | LANDCRUISER PRADO | 99 - 99 | (VZJ95) SNOWY SUV | CT230.102 | CT232.801 | TOY9066.709 | |
| TOYOTA | LANDCRUISER PRADO | 08/99 - 02/03 | (KZJ95, VZJ95) GXL, TX SUV | CT235.102 | CT235.716 | TOY9066.709 | |
| TOYOTA | LANDCRUISER PRADO | 01 - 01 | (VZJ95) 50TH ANNIVERSARY SUV | CT237.102 | CT237.721 | TOY9066.709 | |
| TOYOTA | LANDCRUISER PRADO | 03/03 - 10/09 | (120 SERIES) STD, GX, GXL SUV | TOY1051.102C | TOY5053.942 | TOY9067.955 | RM1051 & RM5053 - G2B, WEB, TRG. AO AVAILABLE 1051 & 5053. |
| TOYOTA | LANDCRUISER PRADO | 03/03 - 10/09 | (120 SERIES) GRANDE, VX SUV | TOY1508.102C | TOY5053.942 | TOY9067.955 | RM1508 - EMB. RM5053 - G2B, WEB, TRG. AO AVAILABLE 5053. |

| MAKE | MODEL | YEAR | SERIES & SUB MODEL | Front Pattern Number | Middle Pattern Number | Rear Pattern Number | Notes |
|--------|-------------------|-----------------|--|----------------------|-----------------------|---------------------|---|
| TOYOTA | LANDCRUISER PRADO | 11/09 - 10/13 | (150 SERIES) SX, ZR 2DR SUV | TOY1024.102C | | | RM1024 - EMB, G2B, GBB, TRB, TRG, WEB. AO AVAILABLE |
| TOYOTA | LANDCRUISER PRADO | 11/09 - 05/21 | (150 SERIES) KAKADU, VX 7 SEAT SUV | TOY1024.102C | TOY5042.1006 | TOY9013.1091 | RM1024 & RM5042 - EMB, G2B, GBB, TRB, TRG, WEB. AO AVAILABLE 1024 & 5042. PFM. CC08 - ANB & STC |
| TOYOTA | LANDCRUISER PRADO | 11/09 - 05/21 | (150 SERIES) GX 5 SEAT SUV | TOY1024.102C | | TOY5175.1006 | RM1024 - EMB, G2B, GBB, TRB, TRG, WEB. RM5175 - G2B, TRB. AO AVAILABLE. PFM. CC08 - ANB & STC |
| TOYOTA | LANDCRUISER PRADO | 11/09 - 05/21 | (150 SERIES) ALTITUDE, GX, GXL 7 SEAT SUV | TOY1024.102C | TOY5042.1006 | TOY9005.931 | RM1024 & RM5042 - EMB, G2B, GBB, TRB, TRG, WEB. RM9005 - EMB, G2B, GBB, WEB, TRG. AO AVAILABLE. PFM. CC08 - ANB & STC |
| TOYOTA | LANDCRUISER PRADO | 06/21 - 06/24 | (150 SERIES) GX 5 SEAT SUV | TOY1350.102C | | TOY5175.1006 | RM1350 - GBB. RM5175 - G2B, TRB. AOF AVAILABLE 1350. PFM. CC08 - ANB & STC |
| TOYOTA | LANDCRUISER PRADO | 06/21 - 06/24 | (150 SERIES) GX 7 SEAT SUV | TOY1350.102C | TOY5042.1006 | TOY9005.931 | RM1350 - GBB. RM5042 - EMB, G2B, GBB, WEB, TRB, TRG. RM9005 - EMB, G2B, GBB, WEB, TRG. AO AVAILABLE. PFM. CC08 - ANB & STC |
| TOYOTA | LANDCRUISER PRADO | 06/21 - 06/24 | (150 SERIES) GXL (WITH OPTIONAL ELECTRIC FRONT SEATS) 7 SEAT SUV | TOY1322.159 | TOY5042.1006 | TOY9005.931 | RM1322 - G2B, GBB. RM5042 - EMB, G2B, GBB, WEB, TRB, TRG. RM9005 - EMB, G2B, GBB, WEB, TRG. AOF AVAILABLE. PFM. CC08 - ANB & STC |
| TOYOTA | LANDCRUISER PRADO | 06/21 - 06/24 | (150 SERIES) GXL (WITH STANDARD MANUAL ADJUST FRONT SEATS) 7 SEAT SUV | TOY1350.102C | TOY5042.1006 | TOY9005.931 | RM1350 - GBB. RM5042 - EMB, G2B, GBB, WEB, TRB, TRG. RM9005 - EMB, G2B, GBB, WEB, TRG. AOF AVAILABLE. PFM. CC08 - ANB & STC |
| TOYOTA | LANDCRUISER PRADO | 06/21 - 06/24 | (150 SERIES) KAKADU 7 SEAT SUV | TOY1322.159 | TOY5042.1006 | TOY9054.1091 | RM1322 - G2B, GBB. RM5042 - EMB, G2B, GBB, WEB, TRB, TRG. AOF AVAILABLE 1322 & 5042. PFM. CC08 - ANB & STC |
| TOYOTA | LANDCRUISER PRADO | 06/21 - 06/24 | (150 SERIES) VX 7 SEAT SUV | TOY1322.159 | TOY5042.1006 | TOY9005.931 | RM1322 - G2B, GBB. RM5042 - EMB, G2B, GBB, WEB, TRB, TRG. RM9005 - EMB, G2B, GBB, WEB, TRG. AOF AVAILABLE. PFM. CC08 - ANB & STC |
| TOYOTA | LANDCRUISER PRADO | 06/24 - CURRENT | (GDJ251R) KAKADU 7 SEAT SUV | TOY1555.102 | TOY5400.942 | TOY9118.1158 | SEAT EXTENSION ON DRIVER NOT ALLOWED FOR. 5400 & 9118 - AO & AOF AVAILABLE. |
| TOYOTA | LANDCRUISER PRADO | 06/24 - CURRENT | (GDJ251R) GXL 7 SEAT SUV | TOY1597.102 | TOY5400.942 | TOY9118.1158 | AO AVAILABLE. AOF AVAILABLE. |
| TOYOTA | LANDCRUISER PRADO | 06/24 - CURRENT | (GDJ251R) ALTITUDE 5 SEAT SUV | TOY1648.102 | | TOY5400.942 | AO & AOF AVAILABLE |
| TOYOTA | LANDCRUISER PRADO | 06/24 - CURRENT | (GDJ251R) GX 5 SEAT SUV | TOY1601.102 | | TOY5400.942 | AO & AOF AVAILABLE. |
| TOYOTA | LANDCRUISER PRADO | 06/24 - CURRENT | (GDJ251R) VX 7 SEAT SUV | TOY1648.102 | TOY5400.942 | TOY9118.1158 | AO & AOF AVAILABLE. |
| TOYOTA | LANDCRUISER SUV | 11/72 - 11/80 | (FJ55) DELUXE SUV | CT102.207 | | | |
| TOYOTA | LANDCRUISER SUV | 11/80 - 02/86 | (60 SERIES) SAHARA SUV | CT095.101 | CT095.503 | TOY9068.503 | |
| TOYOTA | LANDCRUISER SUV | 11/80 - 04/90 | (60 SERIES) DELUXE SUV | TOY1505.301 | | CT100.704 | |
| TOYOTA | LANDCRUISER SUV | 11/80 - 08/99 | (60, 70 SERIES) STD SUV | TOY1505.301 | | CT090.702 | |
| TOYOTA | LANDCRUISER SUV | 11/84 - 91 | (70 SERIES) MWB, LX RESIN TOP SUV | | | CT094.704 | |
| TOYOTA | LANDCRUISER SUV | 11/84 - 01/94 | (70 SERIES) SWB 2DR HARD TOP SUV | CT100.301 | | | |
| TOYOTA | LANDCRUISER SUV | 02/86 - 04/91 | (60 SERIES) SAHARA SUV | CT095.101 | CT096.709 | TOY9068.503 | |
| TOYOTA | LANDCRUISER SUV | 10/89 - 12/97 | (80 SERIES) GXL, RV, 40TH ANNIVERSARY SUV | TOY1506.101C | TOY5378.709 | TOY9069.503 | |
| TOYOTA | LANDCRUISER SUV | 10/89 - 12/97 | (80 SERIES) STD SUV | CT101.401 | | CT101.702 | |
| TOYOTA | LANDCRUISER SUV | 10/89 - 12/97 | (80 SERIES) STD SUV WITH REAR HEADRESTS | CT101.401 | | CT104.704 | |
| TOYOTA | LANDCRUISER SUV | 10/89 - 12/97 | (80 SERIES) VX, SAHARA SUV | CT098.108 | CT098.842 | TOY9069.503 | |
| TOYOTA | LANDCRUISER SUV | 01/98 - 10/07 | (HZJ105R, FZJ105) STANDARD SUV | TOY1184.405 | | TOY5180.1105 | RM1184 - TRB, TRG. RM5180 - TRG. AO AVAILABLE |
| TOYOTA | LANDCRUISER SUV | 01/98 - 10/07 | (100 SERIES) GXL, RV SUV | TOY1092.102C | TOY5080.716 | TOY9070.709 | DRIVERS SEAT HAS NO ALLOWANCES ON POLY BASE. RM1092 & RM5080 - G2B, TRG. AO AVAILABLE 1092 & 5080. |
| TOYOTA | LANDCRUISER SUV | 01/98 - 10/07 | (100 SERIES) GXL, RV SUV | TOY1215.102C | TOY5080.716 | TOY9070.709 | DRIVERS SEAT HAS TWO ROUND ALLOWANCES ON POLY BASE. RM1215 - G2B, STC, TRG. RM5080 - G2B, TRG. AO AVAILABLE 1215 & 5080. |
| TOYOTA | LANDCRUISER SUV | 01/98 - 10/07 | (100 SERIES) SNOWY GXL, 50TH ANNIV GXL, GXL ADV, KAKADU, GXV, VX, SAHARA SUV | TOY1092.102C | TOY5078.942 | TOY9070.709 | RM1092 & RM5078 - G2B, TRG. AO AVAILABLE 1092 & 5078. |
| TOYOTA | LANDCRUISER SUV | 09/07 - 06/09 | (200 SERIES) GXL, 8 SEAT SUV | TOY1081.102C | TOY5043.969 | TOY9006.1027 | RM1081 - G2B. RM5043 - G2B, GBB, TRB, TRG. RM9006 - TRG. AO AVAILABLE 5043 & 9006. CC07 - ANB & STC |
| TOYOTA | LANDCRUISER SUV | 09/07 - 11 | (200 SERIES) VX, SAHARA 8 SEAT SUV | TOY1180.102C | TOY5136.1038 | TOY9006.1027 | AIRBAGS FRONT & MIDDLE. FRONT - REAR MOUNTED DVD PLAYER ALLOWED FOR. RM1180 - G2B. RM9006 - TRG. AO AVAILABLE 9006. |
| TOYOTA | LANDCRUISER SUV | 09/07 - 09/15 | (200 SERIES) VX, SAHARA 7 SEAT SUV | TOY1180.102C | TOY5136.1038 | TOY9071.1071 | AIRBAGS FRONT & MIDDLE. FRONT - REAR MOUNTED DVD PLAYER ALLOWED FOR. RM1180 - G2B. PFM FROM 11/2011. |
| TOYOTA | LANDCRUISER SUV | 09/07 - 09/15 | (200 SERIES) VX, SAHARA 7 SEAT SUV NO DVD | TOY1139.102C | TOY5136.1038 | TOY9071.1071 | RM1139 - GBB. AIRBAGS FRONT & MIDDLE. FRONT - NO DVD PLAYER ALLOWED FOR. PFM FROM 11/2011. |
| TOYOTA | LANDCRUISER SUV | 03/07 - 12/23 | (VDJ76, VDJL76R) GXL & WORKMATE SUV | TOY1029.102C | | TOY5024.704 | RM - G2B, TRG. AO AVAILABLE. CC06 - ANB & STC |
| TOYOTA | LANDCRUISER SUV | 09/23 - CURRENT | (GDJL76R) GXL+, WORKMATE 4DR SUV | TOY1029.102C | | TOY5396.932 | RM1029 - G2B, TRG. AO AVAILABLE 1029. |
| TOYOTA | LANDCRUISER SUV | 01/24 - 08/25 | (VDJL76R) GXL, WORKMATE 4DR SUV | TOY1029.102C | | TOY5396.932 | RM1029 - G2B, TRG. AO AVAILABLE 1029. |
| TOYOTA | LANDCRUISER SUV | 07/09 - 01/20 | (200 SERIES) GXL, 8 SEAT | TOY1027.102C | TOY5043.969 | TOY9006.1027 | RM1027 - G2B, GBB, TRG. RM5043 - G2B, GBB, TRB, TRG. RM9006 - TRG. AO AVAILABLE. PFM FROM 11/2011. CC07 - ANB & STC |
| TOYOTA | LANDCRUISER SUV | 10 - 10 | (VDJ200) GXL 60TH ANNIVERSARY | CT383.102C | CT383.1038 | TOY9006.1027 | RM9006 - TRG. AO AVAILABLE 9006. |
| TOYOTA | LANDCRUISER SUV | 11/11 - 12/21 | (200 SERIES) GX, 5 SEAT SUV | TOY1027.102C | | TOY5043.969 | RM1027 - G2B, GBB, TRG. RM5043 - G2B, GBB, TRB, TRG. AO AVAILABLE. PFM. |

| MAKE | MODEL | YEAR | SERIES & SUB MODEL | Front Pattern Number | Middle Pattern Number | Rear Pattern Number | Notes |
|--------|---------------------------|-----------------|---|----------------------|-----------------------|---------------------|--|
| TOYOTA | LANDCRUISER SUV | 10/15 - 12/21 | (200 SERIES) SAHARA, VX 7 SEAT SUV | TOY1180.102C | TOY5173.1070 | TOY9071.1071 | RM1180 -G2B. RM5173 - G2B, GBB. FRONT - REAR MOUNTED DVD PLAYER ALLOWED FOR MIDDLE - HAS SIDE AIRBAGS, A/R NOT COVERED REAR - DUAL CUP HOLDERS. PFM. CC07 - ANB & STC |
| TOYOTA | LANDCRUISER SUV | 10/15 - 12/21 | (200 SERIES) SAHARA, VX 7 SEAT NO DVD SUV | TOY1139.102C | TOY5173.1070 | TOY9071.1071 | RM1139 - GBB. RM5173 - G2B, GBB. FRONT - NO DVD ALLOWANCE MIDDLE - HAS SIDE AIRBAGS, A/R NOT COVERED REAR - DUAL CUP HOLDERS. PFM. CC07 - ANB & STC |
| TOYOTA | LANDCRUISER SUV | 07/21 - CURRENT | (FJA300) LC300 - VX SUV | TOY1336.102C | TOY5278.1132 | TOY9040.931 | RM5278 - GBB. FRONT EXCLUDES DVD ALLOWANCE. SECOND ROW INCLUDES SIDE AIRBAGS. A/O AVAILABLE. PFM. |
| TOYOTA | LANDCRUISER SUV | 07/21 - CURRENT | (FJA300) LC300 - VX SUV | TOY1348.102C | TOY5278.1132 | TOY9040.931 | RM5278 - GBB. FRONT INCLUDES DVD ALLOWANCE. SECOND ROW INCLUDES SIDE AIRBAGS. A/O AVAILABLE. PFM. |
| TOYOTA | LANDCRUISER SUV | 07/21 - CURRENT | (FJA300) LC300 - SAHARA SUV | TOY1336.102C | TOY5278.1132 | TOY9185.931 | RM5278 - GBB. FRONT EXCLUDES DVD ALLOWANCE. SECOND ROW INCLUDES SIDE AIRBAGS. A/O AVAILABLE. PFM. |
| TOYOTA | LANDCRUISER SUV | 07/21 - CURRENT | (FJA300) LC300 - SAHARA SUV | TOY1348.102C | TOY5278.1132 | TOY9185.931 | RM5278 - GBB. FRONT INCLUDES DVD ALLOWANCE. SECOND ROW INCLUDES SIDE AIRBAGS. A/O AVAILABLE. PFM. |
| TOYOTA | LANDCRUISER SUV | 07/21 - CURRENT | (FJA300) LC300 - GR SPORT (GR-S), SAHARA ZX SUV | TOY1336.102C | | TOY5278.1132 | RM5278 - GBB. FRONT EXCLUDES DVD ALLOWANCE. SECOND ROW INCLUDES SIDE AIRBAGS. A/O AVAILABLE. PFM. |
| TOYOTA | LANDCRUISER SUV | 07/21 - CURRENT | (FJA300) LC300 - GR SPORT (GR-S), SAHARA ZX SUV | TOY1348.102C | | TOY5278.1132 | RM5278 - GBB. FRONT INCLUDES DVD ALLOWANCE. SECOND ROW INCLUDES SIDE AIRBAGS. A/O AVAILABLE. PFM. |
| TOYOTA | LANDCRUISER SUV | 07/21 - CURRENT | (FJA300) LC300 - GX SUV | TOY1339.102C | | TOY5277.969 | RM - STB. FRONT EXCLUDES DVD ALLOWANCE. SECOND ROW INCLUDES SIDE AIRBAGS. A/O AVAILABLE. PFM. |
| TOYOTA | LANDCRUISER SUV | 07/21 - 01/25 | (FJA300) LC300 - GXL SUV | TOY1339.102C | TOY5277.969 | TOY9040.931 | RM1339 & RM5277 - STB. FRONT EXCLUDES DVD ALLOWANCE. SECOND ROW EXCLUDES ARMREST & INCLUDES SIDE AIRBAGS. A/O AVAILABLE. PFM. |
| TOYOTA | LANDCRUISER SUV | 02/25 - CURRENT | (FJA300) LC300 - GXL SUV | TOY1339.102C | TOY5278.1132 | TOY9040.931 | RM1339 - STB. RM5278 - GBB. FRONT EXCLUDES DVD ALLOWANCE. SECOND ROW INCLUDES ARMREST & SIDE AIRBAGS. A/O AVAILABLE. PFM. |
| TOYOTA | LANDCRUISER TROOP CARRIER | 10/80 - 84 | (HJ47) TROOP CARRIER | TOY1505.301 | | CT092.704 | |
| TOYOTA | LANDCRUISER TROOP CARRIER | 82 - 84 | (FJ45) SWB TROOP CARRIER | CT100.301 | | | |
| TOYOTA | LANDCRUISER TROOP CARRIER | 11/84 - 11/99 | (75 SERIES) HARD TOP TROOP CARRIER | TOY1505.301 | | | |
| TOYOTA | LANDCRUISER TROOP CARRIER | 10/99 - 01/07 | (HZJ78R, HDJ79R, HDJ78R) TROOP CARRIER | TOY1494.301 | | | RM1494 - TRB, TRG. A/O AVAILABLE |
| TOYOTA | LANDCRUISER TROOP CARRIER | 03/07 - 09/22 | (VDJ78R) GXL TROOP CARRIER | TOY1052.401 | | | RM - TRB, TRG. A/O AVAILABLE |
| TOYOTA | LANDCRUISER TROOP CARRIER | 03/07 - 09/22 | (VDJ78R) 11 SEAT GXL TROOP CARRIER | TOY1052.401 | CT469.1066 | TOY9072.1067 | RM1052 - TRB, TRG. FRONT - A/O AVAILABLE. MIDDLE & REAR - A/O ONLY. |
| TOYOTA | LANDCRUISER UTE | 11/74 - 80 | (40 SERIES) SWB UTE | CT103.307 | | | |
| TOYOTA | LANDCRUISER UTE | 11/74 - 84 | (FJ45) SINGLE CAB UTE | CT109.406 | | | |
| TOYOTA | LANDCRUISER UTE | 80 - 85 | (40 SERIES) UTE | CT106.307 | | | |
| TOYOTA | LANDCRUISER UTE | 85 - 08/99 | (70 SERIES) SINGLE CAB UTE | TOY1505.301 | | | |
| TOYOTA | LANDCRUISER UTE | 10/99 - 07/09 | (HZJ79R, VDJ79R) SINGLE CAB UTE | TOY1494.301 | | | RM1494 - TRB. A/O AVAILABLE |
| TOYOTA | LANDCRUISER UTE | 99 - 08/16 | (HZJ79R, VDJ79R) SINGLE CAB UTE | TOY1080.102C | | | RM - TRG. AO AVAILABLE. |
| TOYOTA | LANDCRUISER UTE | 08/09 - 14 | (VDJ79R) SINGLE CAB UTE | TOY1052.401 | | | RM - TRB, TRG. A/O AVAILABLE |
| TOYOTA | LANDCRUISER UTE | 10/12 - 08/16 | (VDJ79R) DOUBLE CAB UTE | TOY1080.102C | | TOY5077.704 | RM1080 - TRG. RM5077 - G2B, TRG. AO AVAILABLE. |
| TOYOTA | LANDCRUISER UTE | 09/16 - 08/25 | (VDJ79R, VDIL79R) SINGLE CAB UTE | TOY1053.102C | | | RM1053 - G2B, STC. CC06 - ANB & STC |
| TOYOTA | LANDCRUISER UTE | 09/16 - 08/25 | (GDJL79R, VDJ79R, VDIL79R) DOUBLE CAB UTE | TOY1029.102C | | TOY5077.704 | RM - G2B, TRG. AO AVAILABLE. CC06 - ANB & STC |
| TOYOTA | LEXCEN | 08/89 - 11/91 | (VN, VN2) GL SEDAN | CT122.101B | | CT123.819 | |
| TOYOTA | LEXCEN | 08/89 - 11/91 | (VN, VN2) GLX SEDAN | CT122.101B | | CT122.835 | |
| TOYOTA | LEXCEN | 08/89 - 11/91 | (VN, VN2) WAGON | CT122.101B | | CT124.701 | |
| TOYOTA | LEXCEN | 11/91 - 08/93 | (VP) CSI SEDAN | CT127.108 | | CG023.851 | |
| TOYOTA | LEXCEN | 11/91 - 08/93 | (VP) VXI, NEWPORT SEDAN | CT127.108 | | CT128.854 | |
| TOYOTA | LEXCEN | 08/93 - 04/95 | (VR) CSI WAGON | | | CT129.701 | |
| TOYOTA | LEXCEN | 05/95 - 05/96 | (VS) VXI, CSI WAGON | | | CG124.510 | |
| TOYOTA | LEXCEN | 05/95 - 04/97 | (VS) CSI SEDAN | | | CG023.851 | |
| TOYOTA | LEXCEN | 06/96 - 04/97 | (VS) CSI S/WAGON | | | CT212.829 | |
| TOYOTA | LITE-ACE | 10/79 - 10/89 | COMMERCIAL VAN | CT138.402 | | | |
| TOYOTA | LITE-ACE | 10/82 - 08/85 | 8 SEAT PEOPLE MOVER | CT150.101C | CT159.501 | TOY9074.702 | |
| TOYOTA | LITE-ACE | 09/85 - 09/86 | 5 SEAT PEOPLE MOVER | CT161.110 | | CT161.501 | |
| TOYOTA | LITE-ACE | 09/85 - 08/90 | 7 SEAT PEOPLE MOVER | CT150.101C | CT150.703 | TOY9075.503 | |
| TOYOTA | LITE-ACE | 09/85 - 03/92 | 8 SEAT PEOPLE MOVER | CT150.101C | CT151.501 | TOY9076.503 | |
| TOYOTA | LITE-ACE | 09/85 - 03/92 | 6 SEAT PEOPLE MOVER | CT156.304 | CT156.702 | | |
| TOYOTA | LITE-ACE | 09/85 - 03/92 | (KM36) COMMERCIAL VAN | CT156.304 | | | |

| MAKE | MODEL | YEAR | SERIES & SUB MODEL | Front Pattern Number | Middle Pattern Number | Rear Pattern Number | Notes |
|--------|-------------|-----------------|---|----------------------|-----------------------|---------------------|--|
| TOYOTA | LITE-ACE | 10/86 - 10/89 | 5 SEAT PEOPLE MOVER | CT158.104 | | CT158.702 | |
| TOYOTA | LITE-ACE | 08/90 - 06/99 | 7 SEAT PEOPLE MOVER | CT160.101A | CT160.505 | TOY9077.709 | |
| TOYOTA | PASEO | 07/91 - 01/96 | (EL44R) 2DR COUPE | CT031.110 | | CT031.702 | |
| TOYOTA | PASEO | 12/95 - 12/99 | (EL45R) 2DR COUPE | CT260.110 | | CT260.703 | |
| TOYOTA | PRIUS | 08/03 - 12/11 | (NHW20R) HYBRID HATCH | CT311.102D | | CT311.952 | |
| TOYOTA | PRIUS | 03/15 - 05/22 | (ZVW50R) HYBRID - GX, ZR HATCH | TOY1268.121 | | TOY5236.1032 | |
| TOYOTA | PRIUS ALPHA | 04/11 - 02/21 | (ZVW40R) G, S WAGON | CT313.102C | TOY5440.721 | TOY9078.931 | IMPORTED VEHICLE |
| TOYOTA | PRIUS C | 03/12 - 03/20 | (NHP10R) HYBRID HATCH | CT450.102C | | CT450.1008 | |
| TOYOTA | PRIUS V | 05/12 - 12/21 | (ZVW40R) HYBRID WAGON | CT313.102C | CT313.990 | TOY9078.931 | |
| TOYOTA | RAV4 | 04/94 - 04/00 | (SXA10) ALL BADGES SUV | CT172.101A | | CT172.709 | |
| TOYOTA | RAV4 | 04/95 - 05/00 | (SXA11) ALL BADGES SUV | CT172.101A | | CT173.812 | |
| TOYOTA | RAV4 | 05/00 - 10/03 | (ACA20, ACA22) ALL BADGES SUV | CT174.101A | | CT175.709 | NO S/BELT ALLOW IN REAR |
| TOYOTA | RAV4 | 05/00 - 01/06 | (ACA21, ACA23) ALL BADGES SUV | CT174.101A | | CT174.709 | S/BELT ALLOW IN REAR |
| TOYOTA | RAV4 | 05/00 - 01/06 | (ACA21, ACA23) ALL BADGES SUV | CT176.101A | | CT174.709 | DRIVER SIDE ROUND ALLOWANCE ON POLY BASE, S/BELT ALLOW IN REAR |
| TOYOTA | RAV4 | 05/00 - 01/06 | (ACA22) ALL BADGES SUV | CT176.101A | | CT175.709 | DRIVER SIDE ROUND ALLOWANCE ON POLY BASE, NO S/BELT ALLOW IN REAR |
| TOYOTA | RAV4 | 11/05 - 01/13 | (30 SERIES) ALL BADGES SUV | TOY1504.102C | | TOY5379.1007 | RM - GBB |
| TOYOTA | RAV4 | 02/13 - 01/19 | (40 SERIES) GX, GXL, CRUISER SUV | TOY1033.102C | | TOY5027.987 | RM - EMB, G2B, GBB, WEB. PFM. |
| TOYOTA | RAV4 | 01/19 - 12/25 | (50 SERIES) PETROL - CRUISER, EDGE, GX, GXL SUV | TOY1127.121 | | TOY5123.1032 | RM1127 - EMB, G2B, GBB, GBL, TRB, WEB. RM5123 - GBB. AOF AVAILABLE. PFM. CC09 - ANB & STC. |
| TOYOTA | RAV4 | 01/19 - 12/25 | (50 SERIES) ELECTRIC / HYBRID - CRUISER, GX, GXL, XSE SUV | TOY1127.121 | | TOY5122.1032 | RM - EMB, G2B, GBB, GBL, TRB, WEB. AOF AVAILABLE. PFM. CC09 - ANB & STC. |
| TOYOTA | RAV4 | 12/25 - CURRENT | (60 SERIES) GXL SUV | TOY1667.102C | | TOY5485.965 | |
| TOYOTA | RAV4 | 12/25 - CURRENT | (60 SERIES) CRUISER, EDGE SUV | NPR | | TOY5485.965 | |
| TOYOTA | REGIUS ACE | 08/04 - CURRENT | (TRH) ALL BADGES VAN | TOY1025.304 | | | RM - TRG. AO AVAILABLE. PFM |
| TOYOTA | SPACIA | 10/93 - 08/02 | (SR40, YR22R) 8 SEAT VAN | CT145.102 | CT145.505 | TOY9079.709 | |
| TOYOTA | STARLET | 98 - 99 | (EP91R) LIFE HATCH | CT241.102 | | CT242.508 | |
| TOYOTA | STARLET | 96 - 98 | (EP91R) LIFE, MAX HATCH | CT241.102 | | CT241.829 | |
| TOYOTA | STARLET | 04/96 - 10/99 | (EP91R) STYLE HATCH | CT240.102 | | CT240.510 | |
| TOYOTA | TARAGO | 01/83 - 84 | (YR20) DX VAN | CT082.101C | CT080.501 | TOY9080.701 | |
| TOYOTA | TARAGO | 02/83 - 84 | (YR20) GL VAN | CT080.102 | CT080.501 | TOY9080.701 | |
| TOYOTA | TARAGO | 01/83 - 10/90 | (CR21, YR21) DX VAN | CT082.101C | CT086.505 | TOY9081.709 | |
| TOYOTA | TARAGO | 03/84 - 03/85 | (YR21) GL, GLS VAN | CT081.107 | CT080.501 | TOY9080.701 | |
| TOYOTA | TARAGO | 10/85 - 87 | (YR21, YR22) GL, GLI VAN | CT081.107 | CT080.501 | TOY9082.503 | |
| TOYOTA | TARAGO | 10/85 - 87 | (YR21, YR22) GLS VAN | CT081.107 | CT085.709 | TOY9083.709 | |
| TOYOTA | TARAGO | 03/87 - 09/90 | (YR22) RV VAN | CT088.102 | CT086.505 | TOY9081.709 | |
| TOYOTA | TARAGO | 88 - 09/90 | (YR22) GLI VAN | CT081.107 | CT086.505 | TOY9081.709 | |
| TOYOTA | TARAGO | 10/88 - 09/90 | (YR22) GXI VAN | CT081.107 | CT086.505 | TOY9081.709 | |
| TOYOTA | TARAGO | 09/90 - 10/91 | (TCR20) RV WAGON | CT191.113 | CT195.704 | TOY9084.709 | |
| TOYOTA | TARAGO | 09/90 - 10/93 | (TCR21) GLS WAGON | CT192.112 | CT193.109 | TOY9084.709 | |
| TOYOTA | TARAGO | 09/90 - 08/00 | (TCR10) GLI WAGON | CT194.101B | CT191.504 | TOY9084.709 | |
| TOYOTA | TARAGO | 09/90 - 08/00 | (TCR10) GLI, GETAWAY WAGON | CT191.113 | CT191.504 | TOY9084.709 | |
| TOYOTA | TARAGO | 09/90 - 08/97 | (TCR11) GLX WAGON | CT192.112 | CT191.504 | TOY9084.709 | |
| TOYOTA | TARAGO | 09/97 - 08/00 | (TCR11) GLX WAGON | CT196.107C | CT191.504 | TOY9084.709 | |
| TOYOTA | TARAGO | 06/00 - 02/06 | (ACR30) GLI WAGON | CT197.107 | CT197.504 | TOY9085.704 | |
| TOYOTA | TARAGO | 06/00 - 02/06 | (ACR30) ULTIMA WAGON | CT197.107 | CT198.408 | TOY9086.801 | |
| TOYOTA | TARAGO | 03/06 - 09/19 | (ACR50) GLI, GLX 8 SEAT WAGON | CT199.107C | CT199.989 | TOY9087.968 | |
| TOYOTA | TARAGO | 03/06 - 09/19 | (ACR50, GSR50) GLI, GLX, 8 SEAT WAGON | CT199.107C | CT199.989 | TOY9088.983 | |
| TOYOTA | TARAGO | 03/06 - 09/19 | (ACR50, GSR50) GLX, ULTIMA 7 SEAT WAGON | CT199.107C | CT244.122 | TOY9087.968 | |
| TOYOTA | TOWNACE | 10/85 - 09/96 | COMMERCIAL 2 SEAT VAN | CT147.101 | | | |
| TOYOTA | TOWNACE | 10/96 - 11/01 | COMMERCIAL 7 SEAT VAN | | CT169.501 | | |
| TOYOTA | TOWNACE | 10/96 - 02/05 | COMMERCIAL 2 SEAT VAN | CT168.101C | | | |
| TOYOTA | TUNDRA | 11/23 - CURRENT | (VXKH70R) LIMITED UTE | TOY1583.102C | | TOY5418.987 | |
| TOYOTA | VIENTA | 10/95 - 08/97 | (VCV10R) CSI SEDAN | CT062.101B | | CT220.809 | 60% LAPSASH |

| MAKE | MODEL | YEAR | SERIES & SUB MODEL | Front Pattern Number | Middle Pattern Number | Rear Pattern Number | Notes |
|--------|-------------|-----------------|--|----------------------|-----------------------|---------------------|---|
| TOYOTA | VITZ | 10/99 - 03 | (NCP10R) HATCH | CT280.102C | | CT280.896 | |
| TOYOTA | VITZ | 03 - 01/05 | (NCP10R) HATCH | CT280.102C | | CT283.896 | |
| TOYOTA | VITZ | 02/05 - 12/10 | (KSP90R, NCP91R, SCP90R) HATCH | CT319.101C | | CT319.984 | |
| TOYOTA | VITZ | 12/10 - 01/17 | (KSP130R, NCP131R, NSP130R, NSP135R) HATCH | CT323.102C | | CT323.1008 | |
| TOYOTA | VITZ | 02/17 - CURRENT | (KSP130R, NCP131R, NSP130R, NSP135R) HATCH | CT465.102C | | CT323.1008 | |
| TOYOTA | YARIS | 11/05 - 10/11 | (NCP90R, NCP91R) RUSH, YR, YRS, YRX 4 DR HATCH | CT319.101C | | CT319.984 | |
| TOYOTA | YARIS | 11/05 - 10/11 | (NCP91R) YRS, YRX 2DR HATCH | CT320.101C | | CT319.984 | |
| TOYOTA | YARIS | 3/06 - 03/17 | (NCP93R) YRS, YRX SEDAN | CT322.102C | | CT322.965 | |
| TOYOTA | YARIS | 11/11 - 8/14 | (NCP130R, NCP131R) YR, YRS, YRX 4DR HATCH | CT323.102C | | CT323.1008 | |
| TOYOTA | YARIS | 11/11 - 08/14 | (NCP130R, NCP131R) YR, YRS 2DR HATCH | CT324.102C | | CT323.1008 | |
| TOYOTA | YARIS | 09/14 - 02/17 | (NCP130R) SX, ASCENT 4DR HATCH | CT323.102C | | CT323.1008 | |
| TOYOTA | YARIS | 03/17 - 04/20 | (NCP130R) SX, ASCENT 4DR HATCH | CT465.102C | | CT323.1008 | |
| TOYOTA | YARIS | 05/20 - CURRENT | (MXP) HYBRID ZR HATCH | TOY1245.121 | | TOY5224.909 | HYBRID |
| TOYOTA | YARIS | 05/20 - CURRENT | (MXP) HYBRID SX HATCH | TOY1462.102C | | TOY5224.909 | HYBRID |
| TOYOTA | YARIS | 05/20 - 03/25 | (MXP) ZR HATCH | TOY1245.121 | | TOY5223.909 | PETROL |
| TOYOTA | YARIS | 05/20 - 03/25 | (MXP) ASCENT SPORT, SX HATCH | TOY1462.102C | | TOY5223.909 | PETROL |
| TOYOTA | YARIS CROSS | 08/20 - 01/24 | (MXP) GX, GXL, URBAN HATCH | TOY1244.111 | | TOY5222.1114 | RM1244 - EMB, GBB, WEB. PETROL |
| TOYOTA | YARIS CROSS | 05/20 - CURRENT | (MXP) HYBRID - GX, GXL, URBAN HATCH | TOY1244.111 | | TOY5221.1114 | RM1244 - EMB, GBB, WEB. RM5221 - EMB, GBB. HYBRID |

| MAKE | MODEL | YEAR | SERIES & SUB MODEL | Front Pattern Number | Middle Pattern Number | Rear Pattern Number | Notes |
|------------|------------|-----------------|--|----------------------|------------------------------|---------------------|--|
| VOLKSWAGEN | AMAROK | 02/11 - 06/22 | (2H) ALL BADGES (EXCLUDING ULTIMATE & V6 TDI580) DUAL CAB | VWN1022.102C | | VWN5021.1054 | RM - G2B, TRB, TRG. AO AVAILABLE. PFM |
| VOLKSWAGEN | AMAROK | 02/11 - 06/22 | (2H) ULTIMATE, W580S DUAL CAB | VWN1159.108C | | VWN5021.1054 | RM5021- G2B, TRB, TRG. AO AVAILABLE 5021. |
| VOLKSWAGEN | AMAROK | 09/18 - 06/22 | (2H) V6 TDI580, W580 & W580X DUAL CAB (EXCLUDING ULTIMATE) | VWN1237.102C | | VWN5021.1054 | RM5021- G2B, TRB, TRG. AO AVAILABLE 5021. DRIVER SIDE BACKREST HAS 2 ROUND ALLOWANCES ON OUTSIDE |
| VOLKSWAGEN | AMAROK | 12/22 - CURRENT | (NF) TDI405 & TDI500 LIFE DUAL CAB | VWN1430.102C | | VWN5341.1139 | RM - GBB |
| VOLKSWAGEN | AMAROK | 12/22 - CURRENT | (NF) TDI500 STYLE, TDI600 ALL BADGES & TSI452 DUAL CAB | VWN1431.102C | | VWN5341.1139 | RM - GBB |
| VOLKSWAGEN | BEETLE | 09/01 - 09/05 | (9C) TURBO 2DR HATCH | CQ097.101A | | CQ097.1077 | |
| VOLKSWAGEN | BEETLE | 01/02 - 10/11 | (9C) MIAMI 2DR HATCH | CQ050.102C | | CQ050.704 | |
| VOLKSWAGEN | ID. BUZZ | 08/24 - CURRENT | (EB) LWB 7 SEATER PASSENGER VAN | VWN1619.251 | VWN5441.1097 | VWN9186.931 | FRONT SEAT ARMRESTS ON THE INNER & OUTER ALLOWED FOR. COMFORT SEAT EXTENDER NOT ALLOWED FOR IN FRONT ROW. |
| VOLKSWAGEN | ID. BUZZ | 08/24 - CURRENT | (EB) NWB & SWB 5 SEATER PASSENGER VAN | VWN1619.251 | | VWN5477.1097 | FRONT SEAT ARMRESTS ON THE INNER & OUTER ALLOWED FOR. COMFORT SEAT EXTENDER NOT ALLOWED FOR IN FRONT ROW. |
| VOLKSWAGEN | ID4 | 08/24 - CURRENT | (E2) PRO SUV | VWN1631.107C | | VWN5458.965 | COMFORT SEAT EXTENDER NOT ALLOWED FOR IN FRONT ROW. |
| VOLKSWAGEN | ID4 | 08/24 - CURRENT | (E2) GTX SUV | NPR | | VWN5458.965 | |
| VOLKSWAGEN | CADDY | 04/04 - 11/10 | (2K) ALL BADGES VAN | CQ049.102C | CQ049.947 | VWN9178.704 | |
| VOLKSWAGEN | CADDY | 12/10 - 11/15 | (2K) ALL BADGES VAN | CQ047.102C | | | |
| VOLKSWAGEN | CADDY | 12/15 - 03/21 | (2K) ALL BADGES VAN | VWN1226.102C | | | AOF AVAILABLE. LUMBAR ALLOWANCE DRIVER ONLY. |
| VOLKSWAGEN | CADDY | 12/15 - 03/21 | (2K) ALL BADGES VAN | VWN1227.102C | | CQ091.991 | AOF AVAILABLE 1227. LUMBAR ALLOWANCE BOTH DRIVER & PASSENGER. |
| VOLKSWAGEN | CADDY | 05/15 - 03/21 | (2K) TSI220 VAN | VWN1577.102C | | | DRAW UNDER BOTH SEATS. LEVER ON REAR OF BACKREST BOTH SIDES. |
| VOLKSWAGEN | CADDY 5 | 03/21 - CURRENT | (SK) VAN (EXCLUDING LIFE / MAXI PEOPLE MOVER) | VWN1309.102C | | | AOF AVAILABLE. LUMBAR LEVER ON BOTH SEATS |
| VOLKSWAGEN | CALIFORNIA | 06/20 - CURRENT | (T6.1, 7H) ALL BADGES 5 SEAT VAN | VWN1451.122C | | VWN5360.945 | 5360 IS UNIVERSAL FOR ROW 2 OR 3 - REFER TO IMAGE |
| VOLKSWAGEN | CARAVELLE | 93 - 12/96 | (T4) MINIBUS | CQ001.102 | CQ001.516 | VWN9179.713 | |
| VOLKSWAGEN | CARAVELLE | 10/97 - 03/03 | (T4) GLS MINIBUS | CQ004.109 | CQ004.939 | VWN9180.938 | |
| VOLKSWAGEN | CARAVELLE | 09/00 - 06/05 | (T4) TDI MINIBUS | CQ004.109 | CQ004.939 | VWN9180.938 | |
| VOLKSWAGEN | CARAVELLE | 07/06 - 02/10 | (T5) 8 SEAT MINIBUS | CQ051.410 | VWN5469.1025 | VWN9181.717 | |
| VOLKSWAGEN | CARAVELLE | 03/10 - CURRENT | (T5, T6) TDI 9 SEAT MINIBUS | CQ016.122C | VWN5469.1025 VWN5470.1026 | VWN9181.717 | ROW 1 = PIC 122C, ROW 2 = PIC 1025, ROW 3 = PIC 1026, ROW 4 = PIC 717 |
| VOLKSWAGEN | CRAFTER | 01/12 - 07/18 | (2E) VAN | CQ093.102C | | | |
| VOLKSWAGEN | CRAFTER | 10/17 - CURRENT | (SY) 3 SEAT SINGLE CAB VAN | VWN1099.144 | | | A/O AVAILABLE |
| VOLKSWAGEN | CRAFTER | 10/17 - CURRENT | (SY) 35 TDI, 50 TDI 7 SEAT DUAL CAB VAN | VWN1099.144 | | VWN5306.1034 | FRONT - A/O AVAILABLE |
| VOLKSWAGEN | CRAFTER | 10/17 - CURRENT | (SY) 2 SEAT SINGLE CAB VAN | VWN1274.122 | | | |
| VOLKSWAGEN | CRAFTER | 10/17 - CURRENT | (SY) DRIVER SIDE ONLY WITH UNIVERSAL ARMREST ALLOWANCE | VWN1457.175 | | | AOF ONLY. SUITS WITH OR WITHOUT ARMREST/S. DRIVER SEAT ONLY. |
| VOLKSWAGEN | CRAFTER | 08/18 - CURRENT | (SY) 3 SEAT SINGLE CAB VAN | VWN1394.311 | | | |
| VOLKSWAGEN | GOLF | 08/94 - 09/98 | (MK3) GL CONVERTIBLE OR HATCH | CQ020.102C | | CQ020.501 | |
| VOLKSWAGEN | GOLF | 10/98 - 02/02 | (MK4) HATCH | CQ021.102 | | CQ021.716 | |
| VOLKSWAGEN | GOLF | 06/03 - 07/04 | (MK4) GENERATION HATCH | CQ023.102C | | CQ023.897 | |
| VOLKSWAGEN | GOLF | 10/03 - 04/05 | (MK5) 1.9 TDI COMFORTLINE HATCH | CQ024.102 | | CQ024.952 | NO REAR ARMREST COVER |
| VOLKSWAGEN | GOLF | 10/03 - 02/09 | (MK5) 2.0 FSI HATCH | CQ038.102 | | VWN5176.965 | RM5176 - G2B |
| VOLKSWAGEN | GOLF | 08/04 - 07/09 | (MK5) 2.0 TDI, 2.0 FSI COMFORTLINE, PACIFIC, SPORTLINE HATCH | CQ040.102C | | VWN5176.965 | RM5176 - G2B |
| VOLKSWAGEN | GOLF | 04/05 - 07/07 | (MK5) 1.9TDI, 2.0TDI HATCH | CQ038.102 | | VWN5176.965 | RM5176 - G2B |
| VOLKSWAGEN | GOLF | 07/07 - 07/09 | (MK5) 1.9TDI, 2.0TDI HATCH | CQ040.102C | | VWN5176.965 | RM5176 - G2B |
| VOLKSWAGEN | GOLF | 10/09 - 01/21 | (MK6, 7, 7.5) GTI, GTD, R HATCH | CQ062.121 | | CQ062.965 | |
| VOLKSWAGEN | GOLF | 08/09 - 03/13 | (MK6) 77TSI, 90TSI, 77TDI, TRENDLINE, BLUE MOTION HATCH | VWN1021.102C | | VWN5020.909 | RM1021 - G2B. RM5020 - G2B |
| VOLKSWAGEN | GOLF | 03/09 - 03/13 | (MK6) 118TSI, 103TDI, COMFORTLINE HATCH | CQ061.102C | | VWN5176.965 | RM5176 - G2B |
| VOLKSWAGEN | GOLF | 02/09 - 05/17 | (MK6, MK7) COMFORTLINE, HIGHLINE WAGON | CQ061.102C | | CQ061.1057 | |
| VOLKSWAGEN | GOLF | 08/12 - 06/16 | (MK7) 103 TSI HIGHLINE WITH FRONT DRAWER HATCH | VWN1395.108C | | VWN5176.965 | RM5176 - G2B. DRAWER UNDER FRONT SEATS ALLOWED FOR |
| VOLKSWAGEN | GOLF | 08/12 - 05/17 | (MK7) 90TSI STD, 92TSI TRENDLINE HATCH | VWN1021.102C | | VWN5020.909 | RM1021 - G2B. RM5020 - G2B |
| VOLKSWAGEN | GOLF | 08/12 - 05/17 | (MK7) COMFORTLINE, HIGHLINE HATCH | CQ060.102C | | VWN5176.965 | RM5176 - G2B |
| VOLKSWAGEN | GOLF | 04/16 - 12/17 | (MK7) GTI 40 YEARS HATCH | VWN1207.108C | | VWN5176.965 | RM5176 - G2B |
| VOLKSWAGEN | GOLF | 06/17 - 01/21 | (MK7.5) 110TSI STD HATCH | VWN1119.102C | | VWN5020.909 | RM5020 - G2B |
| VOLKSWAGEN | GOLF | 06/17 - 01/21 | (MK7.5) TRENDLINE, COMFORTLINE HATCH | VWN1183.102C | | VWN5176.965 | RM - G2B |

| MAKE | MODEL | YEAR | SERIES & SUB MODEL | Front Pattern Number | Middle Pattern Number | Rear Pattern Number | Notes |
|------------|-------------|-----------------|--|----------------------|-----------------------|---------------------|--|
| VOLKSWAGEN | GOLF | 06/17 - 01/21 | (MK7.5) ALLTRACK, COMFORTLINE, TRENDLINE WAGON | VWN1183.102C | | VWN5159.965 | RM1183 - G2B |
| VOLKSWAGEN | GOLF | 06/17 - 01/21 | (MK7.5) HIGHLINE, R, R GRID WAGON | CQ095.108C | | VWN5159.965 | |
| VOLKSWAGEN | GOLF | 07/20 - CURRENT | (MK8) GTE HATCH | VWN1428.110 | | VWN5329.965 | |
| VOLKSWAGEN | GOLF | 01/21 - CURRENT | (MK8) 110TSI LIFE HATCH | VWN1409.102C | | VWN5329.965 | |
| VOLKSWAGEN | GOLF | 01/21 - CURRENT | (MK8) 110TSI LIFE WAGON | VWN1409.102C | | VWN5330.965 | |
| VOLKSWAGEN | GOLF | 01/21 - CURRENT | (MK8) 110TSI R-LINE, GTI, R HATCH | VWN1428.110 | | VWN5329.965 | |
| VOLKSWAGEN | GOLF | 01/21 - CURRENT | (MK8) R WAGON | VWN1428.110 | | VWN5330.965 | |
| VOLKSWAGEN | JETTA | 05/04 - 10/10 | (1K) TDI & TSI SEDAN | | | CQ044.952 | |
| VOLKSWAGEN | JETTA | 08/11 - 08/16 | (1B) 103 TDI SEDAN | | | CQ045.1032 | |
| VOLKSWAGEN | JETTA | 09/12 - 12/17 | (1B) 118 TSI SEDAN | CQ081.102C | | CQ081.935 | |
| VOLKSWAGEN | KOMBI | 05/03 - 04 | (T4) 9 SEAT VAN | CQ017.407 | CQ017.716 | VWN9182.957 | |
| VOLKSWAGEN | MULTIVAN | 03/10 - 12/15 | (T5) TDI COMFORTLINE VAN | VWN1475.122C | VWN5370.122C | VWN9055.1051 | |
| VOLKSWAGEN | MULTIVAN | 12/15 - 06/20 | (T6) TDI340 7 SEAT VAN | VWN1475.122C | VWN5370.122C | VWN9055.1051 | ROW 2 - BOOSTER SEAT NOT ALLOWED FOR |
| VOLKSWAGEN | MULTIVAN | 07/20 - 09/24 | (T6.1) TDI340 & TDI450 7 SEAT VAN | VWN1451.122C | VWN5370.122C | VWN9055.1051 | ROW 2 - BOOSTER SEAT NOT ALLOWED FOR |
| VOLKSWAGEN | PASSAT | 10/96 - 11/00 | (B5) 1.8 20V, 2.8 V6, 4MOTION SEDAN | CQ025.102 | | CQ025.894 | 60% S/BELT |
| VOLKSWAGEN | PASSAT | 05/01 - 05/05 | (B5) 1.8T SEDAN | CQ026.102C | | CQ026.949 | |
| VOLKSWAGEN | PASSAT | 03/06 - 01/10 | (B6) TDI SEDAN | CQ027.102C | | CQ027.952 | REAR SIDE BOLSTERS NOT COVERED DUE TO AIRBAG. ARM REST NOT COVERED DUE TO CONSOLE LID |
| VOLKSWAGEN | PASSAT | 03/06 - 01/10 | (B6) TDI WAGON | CQ027.102C | | N/A | |
| VOLKSWAGEN | PASSAT | 11/12 - 04/15 | (B7, B8) ALLTRACK WAGON | VWN1155.102C | | VWN5151.942 | REAR SIDE BOLSTERS NOT COVERED DUE TO AIRBAG. ARM REST NOT COVERED DUE TO CONSOLE LID |
| VOLKSWAGEN | PASSAT | 10/15 - 10/19 | (B8) ALL BADGES SEDAN, EXCLUDING TSI R-LINE | VWN1120.102C | | VWN5198.952 | REAR SIDE BOLSTERS NOT COVERED DUE TO AIRBAG. |
| VOLKSWAGEN | PASSAT | 05/15 - 10/19 | (B8) ALL BADGES WAGON, EXCLUDING TSI R-LINE | VWN1120.102C | | VWN5115.1087 | REAR SIDE BOLSTERS NOT COVERED DUE TO AIRBAG. |
| VOLKSWAGEN | PASSAT | 11/19 - CURRENT | (B8) 140 TSI & ALLTRACK 162 TSI WAGON, EXCLUDES R-LINE | VWN1435.108C | | VWN5343.997 | |
| VOLKSWAGEN | POLO | 08/95 - 09/01 | (6N) HATCH | CQ010.102C | | CQ010.876 | |
| VOLKSWAGEN | POLO | 07/02 - 07/06 | (9N) SE 4DR HATCH | CQ012.102C | | CQ012.932 | |
| VOLKSWAGEN | POLO | 04/04 - 10/05 | (9N) CLASSIC SEDAN | | | CQ030.978 | |
| VOLKSWAGEN | POLO | 11/05 - 04/10 | (9N) TDI HATCH | | | CQ031.932 | |
| VOLKSWAGEN | POLO | 06/09 - 01/12 | (6R) TRENDLINE 2DR HATCH | CQ071.102C | | CQ071.983 | |
| VOLKSWAGEN | POLO | 05/10 - 02/18 | (6C, 6R) COMFORTLINE, TRENDLINE 4DR HATCH | CQ072.102C | | CQ071.983 | |
| VOLKSWAGEN | POLO | 09/17 - 06/22 | (AW) COMFORTLINE, TRENDLINE 4DR HATCH | VWN1109.102C | | VWN5103.985 | |
| VOLKSWAGEN | POLO | 06/21 - CURRENT | (AE) LIFE, STYLE 4DR HATCH | VWN1109.102C | | VWN5103.985 | |
| VOLKSWAGEN | POLO | 07/18 - CURRENT | (AW, AE) GTI 4DR HATCH | NPR | | VWN5103.985 | |
| VOLKSWAGEN | T-CROSS | 01/20 - CURRENT | (C1) 85 TSI ALL BADGES SUV | VWN1223.102C | | VWN5209.909 | |
| VOLKSWAGEN | TIGUAN | 11/07 - 07/11 | (5N) 103 TDI, TSI SUV | CQ053.102C | | CQ053.1028 | |
| VOLKSWAGEN | TIGUAN | 10/11 - 09/16 | (5N) 118TSI, 130TDI SUV | VWN1217.102C | | CQ053.1028 | TRAY ON REAR OF FRONT SEATS. NON-ACTIVE HEADRESTS. DRAWER UNDER FRONT SEATS MAY HAVE RESTRICTED USE. |
| VOLKSWAGEN | TIGUAN | 10/11 - 09/16 | (5N) 132 TSI PACIFIC SUV | CQ080.102C | | CQ053.1028 | |
| VOLKSWAGEN | TIGUAN | 09/16 - 10/18 | (5N) 110 TSI TRENDLINE SUV | VWN1118.102C | | VWN5113.1086 | |
| VOLKSWAGEN | TIGUAN | 06/18 - 06/21 | (5N) COMFORTLINE ALLSPACE, HIGHLINE ALLSPACE 7 SEAT SUV | VWN1125.102C | CQ094.1036 | VWN9183.976 | |
| VOLKSWAGEN | TIGUAN | 06/18 - 06/21 | (5N) 132 TSI R-LINE, 147 TDI R-LINE 5 SEAT SUV | VWN1124.102C | | VWN5111.1036 | |
| VOLKSWAGEN | TIGUAN | 06/18 - 06/21 | (5N) 132 TSI COMFORTLINE, 140 TDI COMFORTLINE, 140 TDI HIGHLINE, 162 TSI HIGHLINE 5 SEAT SUV | VWN1125.102C | | VWN5111.1036 | |
| VOLKSWAGEN | TIGUAN | 07/21 - 04/24 | (5N) 110 TSI & 132 TSI LIFE ALLSPACE, SUV | VWN1378.102C | VWN5315.1036 | VWN9183.976 | TRAY UNDER FRONT SEATS & 2 SMALL POCKETS ON REAR OF FRONT SEATS |
| VOLKSWAGEN | TIGUAN | 06/21 - 11/24 | (5N) 132 TSI LIFE 5 SEAT SUV | VWN1378.102C | | VWN5432.1028 | TRAY UNDER FRONT SEATS & 2 SMALL POCKETS ON REAR OF FRONT SEATS |
| VOLKSWAGEN | TOUAREG | 10/04 - 06/11 | (7L) STANDARD WAGON | CQ052.102C | | CQ052.932 | |
| VOLKSWAGEN | TOUAREG | 07/11 - 03/19 | (7P) TDI SUV | VWN1086.102 | | VWN5084.1036 | FRONT SEAT TRAY COVERED OVER. REAR SIDE AIRBAGS. |
| VOLKSWAGEN | TRANSPORTER | 09/94 - 10/99 | (T4) SINGLE CAB | CQ007.407 | | | |
| VOLKSWAGEN | TRANSPORTER | 01/94 - 10/99 | (T4) 3DR LWB, SWB VAN | CQ003.102C | | CQ003.701 | |
| VOLKSWAGEN | TRANSPORTER | 01/94 - 07/04 | (T4) 3DR LWB, SWB VAN | | | CQ005.714 | |
| VOLKSWAGEN | TRANSPORTER | 01/94 - 07/04 | (T4) 3DR LWB, SWB VAN | | CQ006.505 | | |
| VOLKSWAGEN | TRANSPORTER | 04/96 - 07/04 | (T4) DUAL CAB | CQ009.102C | | CQ009.717 | |

| MAKE | MODEL | YEAR | SERIES & SUB MODEL | Front Pattern Number | Middle Pattern Number | Rear Pattern Number | Notes |
|------------|-------------|-----------------|--|----------------------|-----------------------|---------------------|--|
| VOLKSWAGEN | TRANSPORTER | 10/99 - 07/04 | (T4) SINGLE CAB | CQ013.407 | | | |
| VOLKSWAGEN | TRANSPORTER | 10/99 - 07/04 | (T4) TDI 3DR VAN | CQ009.102C | | CQ014.717 | |
| VOLKSWAGEN | TRANSPORTER | 08/04 - 08/16 | (T5) DUAL CAB | CQ018.407 | | CQ018.717 | |
| VOLKSWAGEN | TRANSPORTER | 01/06 - 02/10 | (T5) CREWMAN 3DR VAN | CQ033.102C | | CQ033.717 | |
| VOLKSWAGEN | TRANSPORTER | 07/06 - 05/10 | (T5) CITIVAN, TDI 3DR VAN, BUCKET & 3/4 BENCH | CQ018.407 | | | PLEASE ENSURE SEAT CONFIGURATION MATCHES IMAGE SUPPLIED |
| VOLKSWAGEN | TRANSPORTER | 07/06 - 05/10 | (T5) CITIVAN, TDI 3DR VAN, BUCKET SEATS | CQ033.102C | | | PLEASE ENSURE SEAT CONFIGURATION MATCHES IMAGE SUPPLIED |
| VOLKSWAGEN | TRANSPORTER | 07/06 - 05/10 | (T5) CITIVAN, TDI 3DR VAN, BUCKET & 3/4 BENCH WITH FOLDABLE CENTRE | CQ051.410 | | | |
| VOLKSWAGEN | TRANSPORTER | 03/10 - CURRENT | (T5, T6) TDI 3DR VAN, BUCKET & 3/4 BENCH - NO ARMREST | CQ065.407 | | | PLEASE ENSURE SEAT CONFIGURATION MATCHES IMAGE SUPPLIED |
| VOLKSWAGEN | TRANSPORTER | 03/10 - CURRENT | (T5, T6) MOTOR HOME | VWN1187.122 | | | SWIVEL SEATS |
| VOLKSWAGEN | TRANSPORTER | 03/10 - CURRENT | (T5) TDI 3DR VAN, BUCKET & 3/4 BENCH | CQ037.212 | | | ARMRESTS NOT COVERED - PLEASE ENSURE SEAT CONFIGURATION MATCHES IMAGE SUPPLIED |
| VOLKSWAGEN | TRANSPORTER | 03/10 - CURRENT | (T5) TDI 3DR VAN, BUCKET & 3/4 BENCH | CQ066.214 | | | ARMRESTS NOT COVERED - PLEASE ENSURE SEAT CONFIGURATION MATCHES IMAGE SUPPLIED |
| VOLKSWAGEN | TRANSPORTER | 03/10 - CURRENT | (T5, T6) TDI 3DR VAN, BUCKET SEATS | VWN1231.102C | | | |
| VOLKSWAGEN | TRANSPORTER | 03/10 - CURRENT | (T5, T6) TDI 3DR VAN, BUCKET SEATS WITH ARMRESTS | CQ088.122 | | | PLEASE ENSURE SEAT CONFIGURATION MATCHES IMAGE SUPPLIED |
| VOLKSWAGEN | TRANSPORTER | 03/10 - CURRENT | (T5, T6) TDI 3DR VAN, DRIVER SIDE ONLY - SEE NOTES | VWN1347.175 | | | UNIVERSAL ARM REST ALLOWANCE TO SUIT DRIVER SEAT WITH 0, 1 OR 2 ARM RESTS. ARM RESTS NOT COVERED. AOF AVAILABLE. |
| VOLKSWAGEN | TRANSPORTER | 03/10 - 04/20 | (T5, T6) TDI DUAL CAB | VWN1376.122 | | CQ087.717 | |
| VOLKSWAGEN | TRANSPORTER | 09/16 - CURRENT | (T5, T6) TDI DUAL CAB | CQ087.128 | | CQ087.717 | PLEASE ENSURE SEAT CONFIGURATION MATCHES IMAGE SUPPLIED |
| VOLKSWAGEN | TRANSPORTER | 02/17 - CURRENT | (T6) TDI 3DR VAN, BUCKET & 3/4 BENCH | CQ087.128 | | | PLEASE ENSURE SEAT CONFIGURATION MATCHES IMAGE SUPPLIED |
| VOLKSWAGEN | T-ROC | 07/17 - CURRENT | (A11, D11) 110 TSI, 140 TSI SPORT, 140 TSI X, CITYLIFE SUV | VWN1298.102C | | VWN5252.965 | RM - GBB |
| VOLKSWAGEN | T-ROC | 07/17 - CURRENT | (A11, D11) 140 TSI R-LINE, R, R GRID SUV | VWN1455.121 | | VWN5252.965 | RM5252 - GBB |
| VOLKSWAGEN | UP! | 10/12 - 11/14 | (AA) HATCH | CQ084.110 | | CQ084.1052 | |

| MAKE | MODEL | YEAR | SERIES & SUB MODEL | Front Pattern Number | Middle Pattern Number | Rear Pattern Number | Notes |
|-------|-------|-----------------|------------------------|----------------------|-----------------------|---------------------|--|
| VOLVO | 240 | 08/84 - 07/92 | GL, GLE WAGON | CV002.101A | | CV004.805 | |
| VOLVO | 240 | 08/84 - 07/93 | GL, GLE SEDAN | CV008.101A | | CV008.805 | |
| VOLVO | 244 | 75 - 82 | DL SEDAN | CV006.101 | | CV006.805 | |
| VOLVO | 245 | 75 - 92 | DL WAGON | CV003.101 | | CV003.702 | |
| VOLVO | 265 | 76 - 82 | WAGON | | | CV011.702 | |
| VOLVO | 440 | 08/89 - 12/96 | GLT HATCH | | | CV013.873 | |
| VOLVO | 740 | 08/84 - 07/88 | GL SEDAN | CV002.101A | | CV002.805 | |
| VOLVO | 740 | 08/88 - 91 | GL SEDAN | CV005.101 | | CV005.801 | |
| VOLVO | 745 | 87 - 89 | WAGON | | | CV001.502 | |
| VOLVO | 850 | 06/91 - 07/94 | GLE SEDAN | CV012.102 | | CV012.847 | |
| VOLVO | 940 | 08/90 - 10/98 | GL SEDAN | CV007.101A | | CV007.801 | |
| VOLVO | 940 | 01/92 - 10/98 | GL WAGON | CV009.101 | | CV001.502 | |
| VOLVO | C40 | 06/22 - CURRENT | (539) ALL BADGES WAGON | VOL1449.121C | | VOL5356.965 | |
| VOLVO | EX40 | 04/24 - CURRENT | ALL BADGES SUV | VOL1126.102D | | VOL5121.1032 | |
| VOLVO | FE | 15 - CURRENT | FE SERIES TRUCK | VOL1530.227 | | | AOF ONLY. |
| VOLVO | FM11 | 17 - CURRENT | 450 TRUCK | VOL1157.221 | | | AOF ONLY. UNIVERSAL ARMREST ALLOWANCE TO SUIT 0, 1 OR 2 ARMRESTS. |
| VOLVO | FM11 | 17 - CURRENT | 450 TRUCK | VOL1446.220 | | | AOF ONLY. UNIVERSAL ARMREST ALLOWANCE TO SUIT 0, 1 OR 2 ARMRESTS. |
| VOLVO | FM13 | 2006 - 2010 | 440 SINGLE CAB TRUCK | VOL1380.158 | | | |
| VOLVO | S40 | 07/95 - 03/01 | SEDAN | CV014.112 | | | HEADREST WILL BE SUPPLIED AS MOULDED DUE TO WAY HEADREST ARE IN VEHICLE |
| VOLVO | V40 | 02/13 - 06/18 | T3, T4, T5 HATCH | VOL1344.102C | | VOL5298.1046 | CUP HOLDER ON REAR SEAT BASE NOT ALLOWED FOR |
| VOLVO | XC40 | 03/18 - CURRENT | (XZ) ALL BADGES SUV | VOL1126.102D | | VOL5121.1032 | |
| VOLVO | XC60 | 03/09 - 08/15 | T6 ALL BADGES WAGON | VOL1057.102D | | | |
| VOLVO | XC60 | 02/11 - 10/17 | T5 ALL BADGES WAGON | VOL1057.102D | | VOL5194.1073 | REAR - ARMREST NOT COVERED, 1 PIECE BASE (BOOSTER SEATS NOT ALLOWED FOR) |
| VOLVO | XC60 | 10/17 - CURRENT | ALL BADGES SUV | N/A | | N/A | PATTERN TOO LARGE FOR PANEL |
| VOLVO | XC90 | 08/15 - CURRENT | ALL BADGES SUV | VOL1106.102D | VOL5105.980 | VOL9133.931 | MIDDLE - ARMREST NOT COVERED, BOOSTER SEAT NOT ALLOWED FOR. |

| MAKE | MODEL | YEAR | SERIES & SUB MODEL | Front Pattern Number | Middle Pattern Number | Rear Pattern Number | Notes |
|--------------|-------|--------------|--------------------|----------------------|-----------------------|---------------------|---|
| WESTERN STAR | X | 19 - CURRENT | X MODEL TRUCK | WES1458.225 | | | ISRI 5030-880 DRIVER SEAT AND SEARS STATIC PASSENGER SEAT. AOF ONLY |
| WESTERN STAR | TBA | 19 - CURRENT | TRUCK | WES1382.191 | | | ISRI 5030-880 DRIVER SEAT AND FIXED ISRI PASSENGER SEAT. AOF ONLY |
| WESTERN STAR | X | 19 - CURRENT | X MODEL TRUCK | WES1385.194 | | | ISRI 5030-880 DRIVER AND PASSENGER SEAT. AOF ONLY |



BUS, TRUCK &
EARTHMOVING
SEAT COVER
CATALOGUE

| MAKE | MODEL | YEAR | SERIES | Front Part Number | Middle Part Number | Rear Part Number | Notes |
|------|-------|-----------------|-----------------|-------------------|--------------------|------------------|---------------|
| ACE | EV | 07/22 - CURRENT | TROLLEY VEHICLE | ACE1387.147 | | | AOF AVAILABLE |

| MAKE | MODEL | YEAR | SERIES | Front Part Number | Middle Part Number | Rear Part Number | Notes |
|-------|-------|--------------|--|-------------------|--------------------|------------------|--|
| BE-GE | 3100 | 24 - CURRENT | 3100 SERIES SINGLE SEAT WITH DUAL ARMREST & HEADREST | BEG1541.182 | | | A/O ONLY. ARMREST NOT COVERED. ONE PIECE WITH SEPARATE HEADREST. |
| BE-GE | | 22 - CURRENT | | BEG1440.180 | | | A/O ONLY. ARMREST & HEADREST NOT COVERED. HEADREST ALLOWED FOR. (BE-GE SEAT) MADE FOR CP1200W ROLLER |
| BE-GE | 3400 | 22 - CURRENT | 3400 SINGLE SEAT WITH DUAL ARMREST & HEADREST | BEG1407.182 | | | A/O ONLY |
| BE-GE | 9000 | 22 - CURRENT | 9000 SERIES SINGLE SEAT WITH DUAL ARMREST & HEADREST | BEG1417.180 | | | A/O ONLY |

| MAKE | MODEL | YEAR | SERIES | Front Part Number | Middle Part Number | Rear Part Number | Notes |
|------|--------------|--------------|---------------------------|-------------------|--------------------|------------------|---|
| CASE | DOZER | 22 - CURRENT | ALL BADGES DOZER | CAS1404.174 | | | SINGLE SEAT. A/O ONLY. |
| CASE | EXCAVATOR | 17 - CURRENT | CX17 EXCAVATOR | CAS1482.187 | | | SINGLE SEAT. A/O ONLY. |
| CASE | EXCAVATOR | 22 - CURRENT | CX58D EXCAVATOR | CAS1524.235 | | | SINGLE SEAT. A/O ONLY. |
| CASE | EXCAVATOR | 22 - CURRENT | CX60C & ONWARDS EXCAVATOR | CAS1345.173 | | | SINGLE SEAT. ONE PIECE BACKREST TO COVER HEADREST & BACKREST. A/O ONLY. |
| CASE | ROLLER | 22 - CURRENT | ALL BADGES ROLLER | CAS1402.179 | | | SINGLE SEAT. A/O ONLY. |
| CASE | SKID STEER | 22 - CURRENT | ALL BADGES LOADER | CAS1346.174 | | | SINGLE SEAT. A/O ONLY. |
| CASE | WHEEL LOADER | 22 - CURRENT | ALL BADGES WHEEL LOADER | CAS1403.197 | | | SINGLE SEAT. A/O ONLY. |

| MAKE | MODEL | YEAR | SERIES | Front Part Number | Middle Part Number | Rear Part Number | Notes |
|-------|---------|--------------|---|-------------------|--------------------|------------------|--|
| CLAAS | TRACTOR | 07 - CURRENT | ARES, ARION, ATLES, ATOS, AXION, AXOS, CELTIS, XERION 781 & 782 (UPTO 2013) | CLA1361.183 | | | AOF ONLY. GRAMMER SEAT - WITHOUT HEATING, CLIMATE CONTROL AND DUALMOTION HEADREST. GRAMMER 721, 731, 741. |
| CLAAS | TRACTOR | N/A | ARION 650-610, 650-620, 660-510 & AXION 870-810, 950-920, 960-930 TRACTOR | CLA1415.198 | | | AOF ONLY. SEARS D55 SEAT. ARMRESTS NOT COVERED |

| MAKE | MODEL | YEAR | SERIES | Front Part Number | Middle Part Number | Rear Part Number | Notes |
|------|-------|---------|---|-------------------|--------------------|------------------|-----------------------|
| COBO | M98 | CURRENT | HIGH BACKREST, INTERACTIVE COMFORT SEAT (ICS) TO SUIT MAGNI TELEHANDLER RTH5.18 | COB1572.245 | | | AOF ONLY. SINGLE SEAT |
| COBO | M293 | CURRENT | HIGH BACKREST, INTERACTIVE COMFORT SEAT (ICS) TO SUIT MAGNI TELEHANDLER RTH5.18 | COB1572.245 | | | AOF ONLY. SINGLE SEAT |

| MAKE | MODEL | YEAR | SERIES | Front Part Number | Middle Part Number | Rear Part Number | Notes |
|------|-------|--------------|-------------------------------------|-------------------|--------------------|------------------|----------|
| DAF | CF | 07 - 20 | 75, 85 MANUAL TRANSMISSION TRUCK | DF001.124 | | | |
| DAF | CF | 07 - 20 | 75, 85 AUTOMATIC TRANSMISSION TRUCK | DF002.123 | | | |
| DAF | LF | 07 - CURRENT | 45, 55 MANUAL TRANSMISSION TRUCK | DF001.124 | | | |
| DAF | LF | 07 - CURRENT | 45, 55 AUTOMATIC TRANSMISSION TRUCK | DF002.123 | | | |
| DAF | LF | 17 - CURRENT | 280 3 SEAT TRUCK | DF041.137 | | | A/O ONLY |
| DAF | XF | 08 - 20 | 105 2 SEAT TRUCK | DF003.125 | | | |

| MAKE | MODEL | YEAR | SERIES | Front Part Number | Middle Part Number | Rear Part Number | Notes |
|----------|-------|---------------|------------------------------|-------------------|--------------------|------------------|-------|
| DAIHATSU | DELTA | 89 - 12/02 | 2 - 3 TONNE WIDE CAB TRUCK | CU055.304 | | | |
| DAIHATSU | DELTA | 89 - 12/02 | 2 - 3 TONNE NARROW CAB TRUCK | CU057.302 | | | |
| DAIHATSU | DELTA | 12/02 - 12/05 | NARROW CAB 2DR TRUCK | DAI1411.304 | | | |

| MAKE | MODEL | YEAR | SERIES | Front Part Number | Middle Part Number | Rear Part Number | Notes |
|-------------|--------------|--------------|-----------------------------|--------------------------|---------------------------|-------------------------|-----------------|
| DFAC | CAPTAIN | 22 - CURRENT | CAPTAIN E 4500 / 6000 TRUCK | DFA1608.249 | | | AOF ONLY. MT105 |

| MAKE | MODEL | YEAR | SERIES | Front Part Number | Middle Part Number | Rear Part Number | Notes |
|-------|--------------|--------------|--|-------------------|--------------------|------------------|----------|
| DIECI | CEMENT MIXER | 20 - CURRENT | F7000, L3500 & L4700 CEMENT MIXER | DIE1512.314 | | | AOF ONLY |
| DIECI | DUMPER | 20 - CURRENT | DUMPER 7000 | DIE1512.314 | | | AOF ONLY |
| DIECI | TELEHANDLER | 20 - CURRENT | PEGASUS - CLASSIC, ELITE & ESSENTIAL TELEHANDLER | DIE1511.167 | | | AOF ONLY |
| DIECI | TELEHANDLER | 17 - CURRENT | ACTIVO S55 SERIES BVB1156 OPERATOR SEAT | DIE1447.222 | | | AOF ONLY |
| DIECI | TELEHANDLER | 24 - CURRENT | 4T ICARUS & RUNNER TELEHANDLER | DIE1556.222 | | | AOF ONLY |

| MAKE | MODEL | YEAR | SERIES | Front Part Number | Middle Part Number | Rear Part Number | Notes |
|-------------|--------------|-------------|--------------------------|--------------------------|---------------------------|-------------------------|--|
| DONGFENG | EQ6760 | 2018 | 28 SEAT BUS, SINGLE SEAT | DON1371.524 | | | A/O ONLY. UNIVERSAL SEATBELT ALLOWANCE FROM LEFT OR RIGHT. |

| MAKE | MODEL | YEAR | SERIES | Front Part Number | Middle Part Number | Rear Part Number | Notes |
|---------|---------|--------------|--|-------------------|--------------------|------------------|--------------------------------|
| DYNAPAC | ROLLER | 22 - CURRENT | (BE-GE 3400) ROLLER | DYN1407.182 | | | A/O ONLY |
| DYNAPAC | ROLLER | 22 - CURRENT | CC1100VI & CC1200VI ROLLER | DYN1410.179 | | | A/O ONLY. ARMREST NOT COVERED. |
| DYNAPAC | ROLLER | 22 - CURRENT | (BE-GE 9000) CA35, CA1500PD, CA3500D, CA4600, CA5000D, CA6000D, CC2200, CO2200, CP224, CP274, CP2100 & CS1400 VI ROLLERS | DYN1417.180 | | | A/O ONLY |
| DYNAPAC | ROLLER | 22 - CURRENT | CA1500D, CA3500D, CA4000D, CA4600D & CA5000D | | | | |
| DYNAPAC | ROLLER | 22 - CURRENT | ROLLER WITHOUT HEADREST | DYN1481.229 | | | A/O ONLY. |
| DYNAPAC | ROLLER | 22 - CURRENT | CA55 ROLLER | DYN1559.229 | | | A/O ONLY |
| DYNAPAC | ROLLER | 22 - CURRENT | CC1250 ROLLER | DYN1479.179 | | | A/O ONLY |
| DYNAPAC | ROLLER | 22 - CURRENT | CC1400 ROLLER | DYN1486.179 | | | A/O ONLY |
| DYNAPAC | SD1800W | 22 - CURRENT | WHEELED PAVER | DYN1392.188 | | | A/O ONLY |
| DYNAPAC | SD2500 | 22 - CURRENT | DUAL SEAT ROLLER | DYN1461.109C | | | A/O ONLY. ARMRESTS NOT COVERED |

| MAKE | MODEL | YEAR | SERIES | Front Part Number | Middle Part Number | Rear Part Number | Notes |
|--------------|----------|----------------|-----------------|-------------------|--------------------|------------------|---|
| FREIGHTLINER | CASCADIA | 2019 - CURRENT | 116 & 126 TRUCK | FRE1458.225 | | | ISRI 5030-880 DRIVER SEAT AND SEARS STATIC PASSENGER SEAT. AOF ONLY |
| FREIGHTLINER | CASCADIA | 2019 - CURRENT | 116 & 126 TRUCK | FRE1382.191 | | | ISRI 5030-880 DRIVER SEAT AND FIXED ISRI PASSENGER SEAT. AOF ONLY |
| FREIGHTLINER | CASCADIA | 2019 - CURRENT | 116 & 126 TRUCK | FRE1385.194 | | | ISRI 5030-880 DRIVER AND PASSENGER SEAT. AOF ONLY |

| MAKE | MODEL | YEAR | SERIES | Front Part Number | Middle Part Number | Rear Part Number | Notes |
|---------|--------------------------|-----------------|---|-------------------|--------------------|------------------|---|
| GRAMMER | 517 | 2010 - CURRENT | GRAMMER PRIMO 517 DRIVER SEAT WITH LARGE HEADREST | GRA1576.167 | | | A/O ONLY |
| GRAMMER | 722 | CURRENT | MSG722 TO SUIT GOLD ACRE | GRA1300.168 | | | A/O ONLY |
| GRAMMER | 742 | CURRENT | MSG742 TO SUIT GOLD ACRE | GRA1299.167 | | | A/O ONLY |
| GRAMMER | ACTIMO XXL MSG97G/722 | CURRENT | TO SUIT KOBELCO CAB EXCAVATORS - SK75SR, SK85MSR, SK100MSR, SK135SR, SK140LC, SK225SR, SK235SR, SK500LC | GRA1554.315 | | | A/O ONLY. SINGLE SEAT WITH HEADREST |
| GRAMMER | ACTROS | 01/20 - CURRENT | MP4 2551 MERCEDES ACTROS (963) 2641, 2643, 2651, 2653, 2658 & 2663 TRUCK | GRA1477.226 | | | A/O ONLY. GRAMMER MP4 2551 SEATS |
| GRAMMER | MAXIMO PROFESSIONAL | 2010 - CURRENT | GRAMMER MAXIMO PROFESSIONAL WITH TOOLBOX CUTOUT | GRA1592.184 | | | A/O ONLY. SINGLE SEAT WITH HEADREST |
| GRAMMER | PRIMO XXM MSG65/522 | CURRENT | TO SUIT KOBELCO CAB EXCAVATORS - SK26SR, SK35SR, SK55SRX | GRA1585.316 | | | A/O ONLY. SINGLE SEAT WITH HEADREST |
| GRAMMER | PRIMO XXM MSG65/522 | CURRENT | TO SUIT KOBELCO CANOPY EXCAVATORS - SK26SR, SK28SR, SK35SR, SK45SRX, SK55SRX | GRA1586.317 | | | A/O ONLY. SINGLE SEAT EXCLUDING HEADREST |
| GRAMMER | PRIMO XXL MSG75 | CURRENT | TO SUIT MAGNI TH3.6 TELEHANDLER | GRA1595.174 | | | A/O ONLY. SINGLE SEAT EXCLUDING HEADREST. ROUND ALLOWANCE ON REAR OF BACKREST |

| MAKE | MODEL | YEAR | SERIES | Front Part Number | Middle Part Number | Rear Part Number | Notes |
|-------|----------|---------|-------------|-------------------|--------------------|------------------|--|
| HIGER | ROADBOSS | 09 - 18 | 57 SEAT BUS | | HIG5254.1107 | HIG9027.1108 | A/O ONLY. ROW 2 - 14 = 5254, ROW 15 = 9027 |

| MAKE | MODEL | YEAR | SERIES | Front Part Number | Middle Part Number | Rear Part Number | Notes |
|------|------------|-----------------|---|-------------------|--------------------|------------------|---|
| HINO | 300 | 03/07 - 09/11 | 616, 716, 816, 916 WIDE SINGLE CAB TIPPER TRUCK | CT328.304 | | | |
| HINO | 300 | 10/11 - CURRENT | SINGLE WIDE CAB TRUCK | HIN1252.304 | | | RM1252 - CVC. A/O ONLY. FRONT CONVERTED FROM CT474. |
| HINO | 300 | 10/11 - CURRENT | (XZU) 616 SINGLE STANDARD NARROW CAB TRUCK | HIN1297.304 | | | A/O ONLY |
| HINO | 300 | 10/11 - CURRENT | (XJC, XJU) ALL BADGES CREW CAB WIDE TRUCK | HIN1296.304 | | HIN5251.704 | A/O ONLY |
| HINO | 500 | 07 - 10/18 | (FC, FD, FG) 1018, 1024, 1527 TRUCK | HIN1200.156 | | | |
| HINO | 500 | 07 - CURRENT | (GT1322, GT1528) CREW CAB TRUCK | HIN1270.129 | | HIN5250.902 | RM1270 - CVC. A/O ONLY. ISRI 6860-870 DRIVER WITH STATIC PASSENGER & FOLDING CENTRE SEAT. |
| HINO | 500 | 11 - CURRENT | (FL, FM, GH) TRUCK | HIN1151.129 | | | ISRI DRIVER SEAT WITH INTEGRATED SEATBELT |
| HINO | 500 | 11 - CURRENT | (ALL SERIES) TRUCK | CT329.402 | | | |
| HINO | 500 | 12 - CURRENT | (FG, FL, FM, GH, GT) CREW CAB TRUCK | HIN1253.162 | | | A/O ONLY |
| HINO | 500 | 12 - CURRENT | (FG, FL, FM, GH, GT) SINGLE CAB TRUCK | HIN1270.129 | | | RM1270 - CVC. A/O ONLY. ISRI 6860-870 DRIVER WITH STATIC PASSENGER & FOLDING CENTRE SEAT. |
| HINO | 500 | 12 - CURRENT | (FG, FL, FM, GH, GT) TRUCK DRIVER SEAT ONLY | HIN1271.149 | | | ISRI 6860 DRIVE SIDE ONLY. A/O ONLY |
| HINO | 500 | 17 - CURRENT | (FG, FL, FM, GH, GT) SINGLE CAB TRUCK | HIN1343.129 | | | A/O ONLY. ISRI DRIVER WITH AIR PASSENGER & FOLDING CENTRE SEAT. |
| HINO | 500 | 10/18 - CURRENT | (FG) 1628 CREW CAB TRUCK | HIN1270.129 | | HIN5250.902 | RM1270 - CVC. A/O ONLY. ISRI 6860-870 DRIVER WITH STATIC PASSENGER & FOLDING CENTRE SEAT. |
| HINO | 500 | 11/18 - CURRENT | (FD, FE) 1124, 1424 CREW CAB TRUCK | HIN1269.162 | | HIN5250.902 | A/O ONLY |
| HINO | 500 | 11/18 - CURRENT | (FC, FD, FE) STD TRUCK | HIN1264.129 | | | RM1264 - CVC. A/O ONLY |
| HINO | 700 | 12 - 06/21 | (FS, FY, SH, SS) TRUCK DRIVER SEAT ONLY | HIN1271.149 | | | ISRI 6860 DRIVER SIDE ONLY. A/O ONLY |
| HINO | 700 | 12 - 06/21 | (FS, FY, SH, SS) CREW CAB TRUCK | HIN1253.162 | | | A/O ONLY |
| HINO | 700 | 12 - 06/21 | (FS, FY, SH, SS) SINGLE CAB TRUCK | HIN1270.129 | | | RM1270 - CVC. A/O ONLY. ISRI 6860-870 DRIVER WITH STATIC PASSENGER & FOLDING CENTRE SEAT. |
| HINO | 700 | 06/21 - CURRENT | (FS, SH, FR, SS, FY) SINGLE CAB TRUCK | HIN1301.132 | | | A/O ONLY. ISRI DRIVER & STANDARD PASSENGER |
| HINO | 700 | 06/21 - CURRENT | (FH, FR, FS, FY, SH, SS) TRUCK | HIN1365.149 | | | A/O ONLY. DRIVER SIDE ONLY. ISRI 6860/870 NTS2 WITH INTEGRATED SEAT BELT. |
| HINO | DUTRO | 10/03 - 10/06 | SINGLE CAB TRUCK | CT327.304 | | | |
| HINO | RANGER PRO | 03 - 09 | (FC, FD, FG) 5, 6, 260 ACE, 9 TRUCK | HIN1200.156 | | | |

| MAKE | MODEL | YEAR | SERIES | Front Part Number | Middle Part Number | Rear Part Number | Notes |
|---------|--------|-----------------|------------------------------------|-------------------|--------------------|------------------|---------------|
| HYUNDAI | MIGHTY | 16 - CURRENT | EX4, EX5, EX6 2DR TRUCK | HYU1437.303 | | | |
| HYUNDAI | MIGHTY | 16 - CURRENT | EX4, EX6, EX8, EX9, EX10 2DR TRUCK | HYU1441.312 | | | AOF AVAILABLE |
| HYUNDAI | MIGHTY | 11/20 - CURRENT | EX6, EX9 2DR TRUCK (NZ ONLY) | HYU1476.303 | | | AOF ONLY |
| HYUNDAI | MIGHTY | 04/23 - CURRENT | (QTC.V1) ELECTRIC TRUCK | HYU1546.302 | | | AOF ONLY |

| MAKE | MODEL | YEAR | SERIES | Front Part Number | Middle Part Number | Rear Part Number | Notes |
|------|---------------|------|---|-------------------|--------------------|------------------|---|
| ISRI | 5030-880 | N/A | 5030-880 DRIVER & PASSENGER | ISR1385.194 | | | ISRI 5030-880 DRIVER AND PASSENGER SEAT. AOF ONLY. |
| ISRI | 5030-880 | N/A | 5030-880 DRIVER SEAT & FIXED ISRI PASSENGER | ISR1382.191 | | | ISRI 5030-880 DRIVER SEAT AND FIXED ISRI PASSENGER SEAT. AOF ONLY |
| ISRI | 6500-517 | N/A | 6500-517 SINGLE SEAT, SUITS DRIVER OR PASSENGER SIDE | ISR1372.187 | | | FABRIC SKIRT PATTERN |
| ISRI | 6860-870 NTS2 | N/A | 6860-870 NTS2 DRIVER WITH INTEGRATED SEAT BELT | ISR1365.149 | | | A/O ONLY. |
| ISRI | 6860-870 NTS2 | N/A | 6860-870 NTS2 DRIVER & PASSENGER WITH INTEGRATED SEAT BELT & ARMREST ALLOWANCES | ISR1594.248 | | | AOF ONLY. ISRI 6860/870 NTS2 DRIVER & PASSENGER WITH INTEGRATED SEAT BELT & ARMRESTS. ARMRESTS NOT COVERED. |
| ISRI | 6860-876 | N/A | 6860-876 DRIVER & PASSENGER WITH UNIVERSAL ARMREST ALLOWANCES. | ISR1375.189 | | | A/O ONLY. UNIVERSAL ARMREST ALLOWANCE TO SUIT 1 OR 2 ARMRESTS. ARMRESTS NOT COVERED. |

| MAKE | MODEL | YEAR | SERIES | Front Part Number | Middle Part Number | Rear Part Number | Notes |
|-------|----------|-----------------|--|----------------------------------|--|------------------------------|--|
| ISUZU | ELF | 06 - CURRENT | (NLR) NARROW CREW CAB TRUCK | ISU1283.213 | | CG303.956 | RM1283 - CVC, RIB. A/O AVAILABLE. |
| ISUZU | ELF | 07/15 - CURRENT | (NMR, NNR, NPR, NPS) WIDE CAB TRUCK | ISU1288.304 | | | RM1288 - CVC. SUSPENSION SEAT NOT ALLOWED FOR. A/O AVAILABLE. |
| ISUZU | ELF | 07/15 - CURRENT | (NMR, NNR, NPR, NPS) WIDE CAB TRUCK | ISU1290.304S | | | RM1290 - CVC, RIB. SUSPENSION SEAT ALLOWED FOR. A/O AVAILABLE. |
| ISUZU | ELF | 07/15 - CURRENT | (NMR, NNR, NPR, NPS) WIDE CAB TRUCK | ISU1204.155 | | | RM - CVC. DRIVER SEAT ONLY - SUSPENSION SEAT NOT ALLOWED FOR. A/O AVAILABLE |
| ISUZU | F SERIES | 96 - 12/07 | FRR500 TRUCK | CG300.402 | | | |
| ISUZU | F SERIES | 96 - 12/07 | FRR500 TRUCK | ISU1281.120 | | | ISRI 6500 DRIVER SUSPENSION, STATIC CENTRE & STD PASSENGER SEAT. FRONT CONVERTED FROM CG301. |
| ISUZU | F SERIES | 11/07 - 06/16 | (FRR, FSS) NARROW CREW CAB TRUCK | ISU1284.129 | | ISU5247.1040 | RM1284 - CVC, RIB. A/O AVAILABLE. ISRI 6860 DRIVER SUSPENSION, FOLD DOWN STATIC CENTRE & STD PASSENGER SEAT FRONTS. FRONT CONVERTED FROM CG304. REAR CONVERTED FROM CG381. |
| ISUZU | F SERIES | 11/07 - 06/16 | (FTR, FTS) WIDE CREW CAB TRUCK | ISU1284.129 | | ISU5244.1040 | RM1284 - CVC, RIB. A/O AVAILABLE. ISRI 6860 DRIVER SUSPENSION, FOLD DOWN STATIC CENTRE & STD PASSENGER SEAT FRONTS. FRONT CONVERTED FROM CG304. REAR CONVERTED FROM CG382. |
| ISUZU | F SERIES | 11/07 - CURRENT | NARROW & WIDE CAB TRUCK | ISU1284.129 | | | RM1284 - CVC, RIB. A/O AVAILABLE. ISRI 6860 DRIVER SUSPENSION, FOLD DOWN STATIC CENTRE & STD PASSENGER SEAT FRONTS. FRONT CONVERTED FROM CG304. |
| ISUZU | F SERIES | 11/07 - CURRENT | NARROW & WIDE CAB TRUCK | ISU1287.130 | | | RM1287 - CVC. A/O AVAILABLE. ISRI 6860 DRIVER SUSPENSION, FOLD DOWN STATIC CENTRE SEAT & ISRI 6860 PASSENGER WITH NO SEATBELT CUT-OUT. FRONT CONVERTED FROM CG471. |
| ISUZU | F SERIES | 11/07 - CURRENT | NARROW & WIDE CAB TRUCK, DRIVER SEAT ONLY | ISU1146.149 | | | A/O ONLY. ISRI 6860 SUSPENSION DRIVER SEAT ONLY. |
| ISUZU | F SERIES | 07/16 - CURRENT | (FTR, FTS, FVD162-250) WIDE CREW CAB TRUCK | ISU1289.131 | | ISU5245.1040 | RM1289 - CVC. A/O AVAILABLE. DRIVER & PASSENGER ISRI SUSPENSION SEAT WITH INTERGATED SEAT BELT. FRONT CONVERTED FROM CG473. REAR CONVERTED FROM CG475. |
| ISUZU | F SERIES | 07/16 - CURRENT | (FTR, FTS, FVD162-250) TRUCK, PASSENGER SEAT ONLY | ISU1230.160 | | | A/O AVAILABLE. ISRI PASSENGER SEAT ONLY, WITH INTEGRATED SEAT BELT. |
| ISUZU | F SERIES | 07/16 - CURRENT | WIDE CREW CAB TRUCK (EXCLUDING FTR, FTS, FVD165-260) | ISU1284.129 | | ISU5245.1040 | RM1284 - CVC, RIB. A/O AVAILABLE. ISRI 6860 DRIVER SUSPENSION, FOLD DOWN STATIC CENTRE & STD PASSENGER SEAT FRONTS. FRONT CONVERTED FROM CG304. REAR CONVERTED FROM CG475. |
| ISUZU | F SERIES | 07/16 - CURRENT | WIDE CREW CAB TRUCK (EXCLUDING FTR, FTS, FVD165-260) | ISU1287.130 | | ISU5245.1040 | RM1287 - CVC. RM5245 - CVC. A/O AVAILABLE. ISRI 6860 DRIVER SUSPENSION, FOLD DOWN STATIC CENTRE SEAT & ISRI 6860 PASSENGER WITH NO SEATBELT CUT-OUT. FRONT CONVERTED FROM CG471. REAR CONVERTED FROM CG475. |
| ISUZU | F SERIES | 07/16 - CURRENT | NARROW CREW CAB TRUCK | ISU1284.129 | | ISU5246.1040 | RM1284 - CVC, RIB. A/O AVAILABLE. ISRI 6860 DRIVER SUSPENSION, FOLD DOWN STATIC CENTRE & STD PASSENGER SEAT FRONTS. FRONT CONVERTED FROM CG304. REAR CONVERTED FROM CG476. |
| ISUZU | F SERIES | 07/16 - CURRENT | NARROW CREW CAB TRUCK | ISU1287.130 | | ISU5246.1040 | RM1287 - CVC. A/O AVAILABLE. ISRI 6860 DRIVER SUSPENSION, FOLD DOWN STATIC CENTRE SEAT & ISRI 6860 PASSENGER WITH NO SEATBELT CUT-OUT. REAR CONVERTED FROM CG476. |
| ISUZU | F SERIES | 07/16 - CURRENT | (FTS) WIDE CREW CAB FIRE TRUCK - CAT 1 | ISU1459.162 | | ISU5245.1040 | AOF ONLY. MODIFIED SEATS FOR FIRE TRUCKS |
| ISUZU | F SERIES | 01/19 - CURRENT | MCCONNELL SEAT DUAL CAB TRUCK | | | ISU5133.1089 | A/O ONLY. MCCONNELL DESIGN SEAT |
| ISUZU | F SERIES | 05/25 - CURRENT | (FVZ) FV2260-300 TRUCK | ISU1607.415 | | | AOF ONLY |
| ISUZU | GIGA | 02 - CURRENT | (CXZ, CXZ, EXY) 2DR TRUCK | ISU1286.132 | | | RM1286 - CVC. A/O AVAILABLE. FRONT CONVERTED FROM CG470. |
| ISUZU | GIGA | 18 - CURRENT | (CYZ) 530 2DR TRUCK | ISU1384.132 | | | |
| ISUZU | I-BUS | 16 - CURRENT | (NPS) 20 & 26 SEAT BUS - WIDE WIDTH SEATS | ISU1192.151 OR ISU1082.310 | ISU5145.1093 ISU5146.1094 ISU5147.1095 ISU5148.1096 ISU5187.1096 ISU5188.1094 | | A/O ONLY. 1192 DRIVER SUSPENSION SEAT ALLOWED FOR 1082 SUSPENSION SEAT NOT ALLOWED FOR 5145 = SEATBELT FROM THE LEFT, HANDLE ON THE RIGHT 5146 = SEATBELT FROM THE RIGHT, NO HANDLE 5147 = SEATBELT FROM THE RIGHT, HANDLE ON THE LEFT 5148 = SEATBELT FROM THE LEFT, NO HANDLE 5187 = INCLUDES BABY SEAT ANCHOR ALLOWANCE, SEATBELT FROM THE LEFT, NO HANDLE 5188 = INCLUDES BABY SEAT ANCHOR ALLOWANCE, SEATBELT FROM THE RIGHT, NO HANDLE |
| ISUZU | I-BUS | 21 - CURRENT | (NQR) 32 SEAT BUS - NARROW WIDTH SEATS | ISU1192.151 OR ISU1082.310 | ISU5302.1093 ISU5303.1094 ISU5304.1095 ISU5305.1096 | ISU5146.1094 ISU5148.1096 | A/O ONLY. 1192 DRIVER SUSPENSION SEAT ALLOWED FOR 1082 SUSPENSION SEAT NOT ALLOWED FOR 5302 = SEATBELT FROM THE LEFT, HANDLE ON THE RIGHT 5303 = SEATBELT FROM THE RIGHT, NO HANDLE 5304 = SEATBELT FROM THE RIGHT, HANDLE ON THE LEFT 5305 = SEATBELT FROM THE LEFT, NO HANDLE 5146 = SEATBELT FROM THE RIGHT, NO HANDLE - REAR 5148 = SEATBELT FROM THE LEFT, NO HANDLE - REAR ROW ONLY |
| ISUZU | N SERIES | 94 - 10/07 | (NP, NQ) 300 - 500 WIDE CAB TRUCK | ISU1280.304 | | | FRONT CONVERTED FROM CG299 |
| ISUZU | N SERIES | 01/96 - 12/04 | (NK, NP, NQ) SINGLE & DUAL CAB TRUCK | CG049.303 | | | |
| ISUZU | N SERIES | 11/07 - 06/15 | (NN, NP, NQ) WIDE CAB 2 DR TRUCK | ISU1282.304 | | | RM1282 - CVC, RIB. A/O AVAILABLE. FRONT CONVERTED FROM CG302 |
| ISUZU | N SERIES | 11/07 - CURRENT | (NL, NMR) NARROW CREW CAB TRUCK | ISU1283.213 | | CG303.956 | RM1283 - CVC, RIB. DRIVER SEAT DOES NOT HAVE SUSPENSION. A/O AVAILABLE. FRONT CONVERTED FROM CG303 |
| ISUZU | N SERIES | 11/07 - CURRENT | (NN, NP, NQ) WIDE CREW CAB TRUCK | ISU1282.304 | | ISU5243.956 | RM1282 - CVC, RIB. RM5243 - CVC. A/O AVAILABLE. FRONT CONVERTED FROM CG302. REAR CONVERTED FROM CG380 |



| MAKE | MODEL | YEAR | SERIES | Front Part Number | Middle Part Number | Rear Part Number | Notes |
|-------|----------|-----------------|---|-------------------|--------------------|------------------|--|
| ISUZU | N SERIES | 11/07 - CURRENT | (NPS) WIDE CREW CAB FIRE TRUCK - CAT 7 | ISU1082.310 | | ISU5366.956 | AOF ONLY. MODIFIED SEATS FOR FIRE TRUCKS |
| ISUZU | N SERIES | 07/15 - CURRENT | (NN, NP, NQ) WIDE CAB 2 DR TRUCK | ISU1288.304 | | | RM1288 - CVC. SUSPENSION SEAT NOT ALLOWED FOR. A/O AVAILABLE. FRONT CONVERTED FROM CG472. |
| ISUZU | N SERIES | 07/15 - CURRENT | (NN, NP, NQ) WIDE CAB 2 DR TRUCK | ISU1290.304S | | | RM1290 - CVC, RIB. SUSPENSION SEAT ALLOWED FOR. A/O AVAILABLE. FRONT CONVERTED FROM CG474. |
| ISUZU | N SERIES | 07/15 - CURRENT | (NN, NP, NQ) WIDE CAB 2 DR TRUCK DRIVER SEAT ONLY | ISU1204.155 | | | RM - CVC. DRIVER SEAT ONLY - SUSPENSION SEAT NOT ALLOWED FOR. A/O AVAILABLE |
| ISUZU | N SERIES | 07/15 - CURRENT | (NN, NP, NQ) WIDE CAB 2 DR TRUCK DRIVER SEAT ONLY | ISU1203.154 | | | RM - CVC. DRIVER SEAT ONLY - SUSPENSION SEAT ALLOWED FOR. A/O ONLY. |
| ISUZU | N SERIES | 06/20 - CURRENT | (NMR) MY22 NARROW CAB TRUCK | ISU1308.192 | | | RM - CVC. DRIVER SUSPENSION SEAT NOT ALLOWED FOR. A/O AVAILABLE. |
| ISUZU | N SERIES | 06/20 - CURRENT | (NMR) MY22 NARROW CAB TRUCK | ISU1307.169 | | | RM1307 - CVC. A/O AVAILABLE. SUSPENSION SEAT ALLOWED FOR. |
| ISUZU | N SERIES | 05/25 - CURRENT | (NQR) NQR80-190 WIDE CAB TRUCK | ISU1606.416 | | | AOF ONLY. SUSPENSION SEAT ALLOWED FOR. |

| MAKE | MODEL | YEAR | SERIES | Front Part Number | Middle Part Number | Rear Part Number | Notes |
|-------|-------|-----------------|-------------|-------------------|--------------------|------------------|---|
| IVECO | S-WAY | 01/23 - CURRENT | S-WAY TRUCK | IVE1470.162 | | | A/O ONLY. ISRI 6860/870 NTS2 DRIVER & PASSENGER WITH INTEGRATED SEAT BELT. |
| IVECO | S-WAY | 01/23 - CURRENT | S-WAY TRUCK | IVE1594.248 | | | AOF ONLY. ISRI 6860/870 NTS2 DRIVER & PASSENGER WITH INTEGRATED SEAT BELT & ARMRESTS. ARMRESTS NOT COVERED. |

| MAKE | MODEL | YEAR | SERIES | Front Part Number | Middle Part Number | Rear Part Number | Notes |
|------|-------------------|--------------|--|-------------------|--------------------|------------------|---|
| JCB | BACKHOE | 22 - CURRENT | 1CXT, 2CX, 3CX, 4CX, 4CX ECO, 5CX, 5CX ECO BACKHOE | JCB1393.195 | | | AOF ONLY. SINGLE SEAT. WITH HEADREST |
| JCB | BACKHOE | 22 - CURRENT | 3CX-ECO BACKHOE | JCB1480.229 | | | AOF ONLY. SINGLE SEAT |
| JCB | BACKHOE | 21 - CURRENT | 1CX, 1CXT MINI BACKHOE LOADER | JCB1469.230 | | | AOF ONLY. SINGLE SEAT. WITHOUT HEADREST |
| JCB | BACKHOE | 24 - CURRENT | 3CX PLUS, 5CX PRO BACKHOE | JCB1539.237 | | | AOF ONLY. SINGLE SEAT |
| JCB | EXCAVATOR | 18 - CURRENT | 18Z-1 EXCAVATOR | JCB1468.179 | | | AOF ONLY. SINGLE SEAT |
| JCB | EXCAVATOR | 22 - CURRENT | 35Z EXCAVATOR | JCB1464.174 | | | AOF ONLY. SINGLE SEAT |
| JCB | MINI EXCAVATOR | 22 - CURRENT | 50Z, 86C MINI EXCAVATOR WITH HEADREST | JCB1488.187 | | | AOF ONLY. SINGLE SEAT |
| JCB | MINI EXCAVATOR | 22 - CURRENT | 35Z, 50Z, 55Z, 60C MINI EXCAVATOR WITHOUT HEADREST | JCB1489.174 | | | AOF ONLY. SINGLE SEAT |
| JCB | ROLLER | 22 - CURRENT | CT260 ROLLER | JCB1463.179 | | | AOF ONLY. SINGLE SEAT |
| JCB | SF383 | CURRENT | LOADALL, 531-70, 533-105, 535-95, 540-170, 560-80 & 411HT | JCB1369.184 | | | A/O ONLY. SINGLE SEAT |
| JCB | SF993 | CURRENT | AGRI-PRO TELEHANDLER LOADALL WITH HEAT SWITCH - 532-70, 542-70 | JCB1370.185 | | | A/O ONLY. SINGLE SEAT |
| JCB | SITE DUMPER | 22 - CURRENT | 6T, 9T-3 SITE DUMPER WITH TOOLBOX ALLOWANCE | JCB1487.179 | | | AOF ONLY. SINGLE SEAT |
| JCB | SKID STEER | 22 - CURRENT | 215, 270, 300, 3TS SKID STEER LOADER | JCB1467.174 | | | AOF ONLY. SINGLE SEAT |
| JCB | SKID STEER | 22 - CURRENT | 155 & 205 SKID STEER LOADER | JCB1466.179 | | | AOF ONLY. SINGLE SEAT |
| JCB | TELEHANDLER | 22 - CURRENT | TM320S TELEHANDLER | JCB1493.231 | | | AOF ONLY. SINGLE SEAT |
| JCB | TELEHANDLER | 22 - CURRENT | 55S-210R ROTATING TELEHANDLER | JCB1549.184 | | | AOF ONLY. SINGLE SEAT |
| JCB | TRACKED EXCAVATOR | 14 - 20 | J2140 TRACKED EXCAVATOR | JCB1491.152 | | | AOF ONLY. SINGLE SEAT |
| JCB | TRACKED EXCAVATOR | 21 - CURRENT | JS220X, JS245XR TRACKED EXCAVATOR | JCB1492.232 | | | AOF ONLY. SINGLE SEAT |
| JCB | WHEEL LOADER | 22 - CURRENT | 409 HT WHEEL LOADER | JCB1514.233 | | | AOF ONLY. SINGLE SEAT |
| JCB | WHEELED EXCAVATOR | 22 - CURRENT | 110 HYDRADIG, POTHOLE PRO WHEELED EXCAVATOR | JCB1490.187 | | | AOF ONLY. SINGLE SEAT |

| MAKE | MODEL | YEAR | SERIES | Front Part Number | Middle Part Number | Rear Part Number | Notes |
|---------|-------|-----------------|---------------------------------------|-------------------|-----------------------------|------------------|---|
| JOYLONG | E6 | 01/22 - CURRENT | ELECTRIC MINIBUS 12 & 14 SEAT, 5 ROWS | JOY1439.102C | JOY5348.708 JOY5349.1009 | JOY9047.1153 | ROW 2 = 5348, ROW 3 & 4 = 5349, ROW 5 = 9047. AOF AVAILABLE |

| MAKE | MODEL | YEAR | SERIES | Front Part Number | Middle Part Number | Rear Part Number | Notes |
|--------|-------|------|--|-------------------|--------------------|------------------|--|
| KAB | N/A | N/A | KAB SEAT WITH HEADREST. SUITS KOBELCO CAB - SK200, SK250, SK380XDLC, SK500XDLC EXCAVATORS | KAB1587.180 | | | AOF ONLY. SINGLE SEAT WITH HEADREST. KAB SEAT (MODEL TBC). |
| KAB155 | N/A | N/A | KAB155 WITHOUT HEADREST. SUITS CATERPILLAR, JCB, KOMATSU, MAGNI MACHINERY | KAB1571.179 | | | AOF ONLY. SINGLE SEAT |
| KAB211 | N/A | N/A | KAB211 WITHOUT HEADREST, BACKREST & BASE ARE JOINED / ONE PIECE. SUITS KOBELCO CAB SK45SRX EXCAVATOR | KAB1588.179 | | | AOF ONLY. SINGLE SEAT |
| KAB555 | N/A | N/A | KAB555 WITHOUT HEADREST. SUITS CATERPILLAR, JCB, KOMATSU, MAGNI MACHINERY | KAB1571.179 | | | AOF ONLY. SINGLE SEAT |
| KAB564 | N/A | N/A | KAB564 HIGH BACK AIR SUSPENSION SEAT WITH HEADREST. SUITS CATERPILLAR, HITACHI, HYUNDAI, KOBELCO, KOMATSU, LIEBHERR, TEREX, VOLVO MACHINERY. | KAB1574.187 | | | AOF ONLY. ARMRESTS NOT ALLOWED FOR |

| MAKE | MODEL | YEAR | SERIES | Front Part Number | Middle Part Number | Rear Part Number | Notes |
|-----------|---------------|--------------|---|-------------------|--|--|---|
| KING LONG | BUS - REGULAR | 22 - CURRENT | BUS / COACH SEATS VARY REFER TO PASSENGER SEAT IMAGES 39 PASSENGER + DRIVER (9.1MTR) 41 - 45 PASSENGER + DRIVER (10.1MTR) 53 - 57 PASSENGER + DRIVER (12.5MTR) 59 - 61 PASSENGER + DRIVER (13.1MTR) | KIN1602.246 | KIN5427.1101 KIN5428.1100 KIN5446.1093 KIN5447.1095 KIN5448.1096 KIN5449.1094 | AOF ONLY. 1602 = ISRI SINGLE DRIVER SEAT 5427 = INCLUDES ISOFIX, SEATBELT FROM THE RIGHT, NO HANDLE 5428 = INCLUDES ISOFIX, SEATBELT FROM THE LEFT, NO HANDLE 5446 = SEATBELT FROM THE LEFT, HANDLE ON THE RIGHT 5447 = SEATBELT FROM THE RIGHT, HANDLE ON THE LEFT 5448 = SEATBELT FROM THE LEFT, NO HANDLE |  |
| KING LONG | BUS - DELUXE | 22 - CURRENT | BUS / COACH (FAINSA SEATING) SEATS VARY REFER TO PASSENGER SEAT IMAGES 39 PASSENGER + DRIVER (9.1MTR) 41 - 45 PASSENGER + DRIVER (10.1MTR) 53 - 57 PASSENGER + DRIVER (12.5MTR) 59 - 61 PASSENGER + DRIVER (13.1MTR) | KIN1602.246 | KIN5429.727 KIN5430.726 KIN5453.725 KIN5454.724 | AOF ONLY 1602 = ISRI SINGLE DRIVER SEAT 5429 = INCLUDES ISOFIX, SEATBELT FROM THE LEFT, USB, GRAB HANDLE 5430 = INCLUDES ISOFIX, SEATBELT FROM THE RIGHT, USB, GRAB HANDLE 5453 = SEATBELT FROM THE LEFT, USB, GRAB HANDLE |  |

| MAKE | MODEL | YEAR | SERIES | Front Part Number | Middle Part Number | Rear Part Number | Notes |
|---------|-----------|--------------|---|-------------------|--------------------|------------------|---|
| KOBELCO | EXCAVATOR | 22 - CURRENT | CAB MODELS - SK26SR, SK35SR, SK55SRX EXCAVATOR | KOB1585.316 | | | GRAMMER PRIMO XXM MSG65/522 SEAT. AOF ONLY. SINGLE SEAT WITH HEADREST |
| KOBELCO | EXCAVATOR | 22 - CURRENT | CANOPY MODELS - SK26SR, SK28SR, SK35SR, SK45SRX, SK55SRX EXCAVATOR | KOB1586.317 | | | GRAMMER PRIMO XXM MSG65/522 SEAT. AOF ONLY. SINGLE SEAT EXCLUDING HEADREST |
| KOBELCO | EXCAVATOR | 22 - CURRENT | CAB MODELS - SK200, SK250, SK380XDLC, SK500XDLC EXCAVATOR | KOB1587.180 | | | KAB SEAT (MODEL TBC). AOF ONLY. SINGLE SEAT WITH HEADREST. |
| KOBELCO | EXCAVATOR | 22 - CURRENT | CAB MODEL - SK45SRX EXCAVATOR | KOB1588.179 | | | KAB211 SEAT. AOF ONLY. SINGLE SEAT EXCLUDING HEADREST. BACKREST & BASE ARE JOINED (ONE PIECE) |
| KOBELCO | EXCAVATOR | 22 - CURRENT | CANOPY MODEL - SK17SR, SK17.6 WITH TOOLBOX | KOB1589.245 | | | AOF ONLY. SINGLE SEAT EXCLUDING HEADREST. SEAT MODEL TBC. |
| KOBELCO | EXCAVATOR | 10 - CURRENT | GRAMMER MAXIMO PROFESSIONAL WITH TOOLBOX CUTOUT | KOB1592.184 | | | AO ONLY. SINGLE SEAT WITH HEADREST. MACHINERY DETAILS TBC |
| KOBELCO | EXCAVATOR | 22 - CURRENT | CAB MODELS - SK75SR, SK85MSR, SK100MSR, SK135SR, SK140LC, SK225SR, SK235SR, SK500LC EXCAVATOR | KOB1554.315 | | | GRAMMER ACTIMO XXL MSG97G/722 SEAT. AOF ONLY. SINGLE SEAT WITH HEADREST |




| MAKE | MODEL | YEAR | SERIES | Front Part Number | Middle Part Number | Rear Part Number | Notes |
|------|-----------|-----------------|----------------|-------------------|------------------------------|------------------|--|
| LDV | DELIVER 9 | 07/20 - CURRENT | (SV63) MINIBUS | LDV1277.127 | LDV5345.1150 LDV5346.1151 | LDV9046.1152 | ROW 2 = 5345, ROW 3 = 5346, ROW 4 = 9046. FABRIC SKIRT PATTERN WITH SEAT CURTAIN ALLOWANCE. |
| LDV | V80 | 01/13 - CURRENT | (K1) MINIBUS | LDV1277.127 | LDV5345.1150 LDV5346.1151 | LDV9046.1152 | ROW 2 = 5345, ROW 3 = 5346, ROW 4 = 9046. FABRIC SKIRT PATTERN WITH SEAT CURTAIN |

| MAKE | MODEL | YEAR | SERIES | Front Part Number | Middle Part Number | Rear Part Number | Notes |
|---------|-----------|--------------|---|-------------------|--------------------|------------------|-----------------------|
| LIUGONG | EXCAVATOR | 22 - CURRENT | 9018F, 9027F ZTS EXCAVATOR | LIU1356.179 | | | AOF ONLY. SINGLE SEAT |
| LIUGONG | EXCAVATOR | 22 - CURRENT | 915E, 922E, 925E, 930E EXCAVATOR | LIU1359.182 | | | AOF ONLY. SINGLE SEAT |
| LIUGONG | EXCAVATOR | 22 - CURRENT | 906E EXCAVATOR | LIU1358.181 | | | AOF ONLY. SINGLE SEAT |
| LIUGONG | EXCAVATOR | 22 - CURRENT | 9035E EXCAVATOR | LIU1399.174 | | | AOF ONLY. SINGLE SEAT |
| LIUGONG | EXCAVATOR | 22 - CURRENT | 915FCR EXCAVATOR | LIU1408.167 | | | AOF ONLY. SINGLE SEAT |
| LIUGONG | LOADER | 22 - CURRENT | 835H, 838H, 848H, 856H, 862H WHEEL LOADER | LIU1360.182 | | | AOF ONLY. SINGLE SEAT |
| LIUGONG | LOADER | 22 - CURRENT | 838T, 848T WHEEL LOADER | LIU1553.197 | | | AOF ONLY. SINGLE SEAT |
| LIUGONG | ROLLER | 22 - CURRENT | 6615E ROLLER | LIU1358.181 | | | AOF ONLY. SINGLE SEAT |
| LIUGONG | ROLLER | 22 - CURRENT | 6520E ROLLER | LIU1357.180 | | | AOF ONLY. SINGLE SEAT |
| LIUGONG | SKIDSTEER | 22 - CURRENT | 365B, 375B, 385B SKIDSTEER | LIU1474.179 | | | AOF ONLY. SINGLE SEAT |

| MAKE | MODEL | YEAR | SERIES | Front Part Number | Middle Part Number | Rear Part Number | Notes |
|-------|-------------|--------------|--|-------------------|--------------------|------------------|--|
| MAGNI | TELEHANDLER | 20 - CURRENT | TELESCOPIC HANDLER, ACTIVO SEAT | MAG1569.184 | | | AOF ONLY. SINGLE SEAT |
| MAGNI | TELEHANDLER | 20 - CURRENT | TELESCOPIC HANDLER (SUITS RTH5.18, TH3.6) GRAMMER MSG85 / MSG285 SEAT | MAG1570.244 | | | AOF ONLY. SINGLE SEAT |
| MAGNI | TELEHANDLER | 20 - CURRENT | TELESCOPIC HANDLER, KAB 155 SEAT | MAG1571.179 | | | AOF ONLY. SINGLE SEAT |
| MAGNI | TELEHANDLER | 20 - CURRENT | TELESCOPIC HANDLER (SUITS RTH5.18), COBO - M98, M293 HIGH BACK REST INTERACTIVE COMFORT SEAT | MAG1572.245 | | | AOF ONLY. SINGLE SEAT |
| MAGNI | TELEHANDLER | 20 - CURRENT | TELESCOPIC HANDLER (SUITS TH3.6) GRAMMER PRIMO XXL MSG75 SEAT | MAG1595.174 | | | AOF ONLY. SINGLE SEAT. ROUND ALLOWANCE ON REAR OF BACKREST |

| MAKE | MODEL | YEAR | SERIES | Front Part Number | Middle Part Number | Rear Part Number | Notes |
|----------|----------|-----------------|---|-------------------|------------------------------|------------------|---|
| MERCEDES | ACTROS | 01/20 - CURRENT | (963) 2641, 2643, 2651, 2653, 2658 & 2663 TRUCK | MER1477.226 | | | A/O ONLY. GRAMMER MP4 2551 SEATS |
| MERCEDES | ATEGO | 20 - CURRENT | (967) ALL BADGES TRUCK | MER1567.189 | | | A/O ONLY. DRIVER & PASSENGER ISRI 6860-876 WITH UNIVERSAL ARMREST ALLOWANCES. ARMRESTS NOT COVERED. |
| MERCEDES | SPRINTER | 02/10 - 09/18 | (316, 414) TRANSFER BUS | MER1247.161 | MER5226.1115 MER5227.1116 | MER9032.1117 | 4 ROWS |
| MERCEDES | SPRINTER | 01/22 - CURRENT | (414, 415, 419) VS30 TRANSFER 12 SEATER BUS | MER1349.175 | MER5326.1145 MERS327.1145 | MER9044.1146 | ROW 1 - 176, Row 2 - 1145, Row 3 - 1146, Row 4 - 1146 |

| MAKE | MODEL | YEAR | SERIES | Front Part Number | Middle Part Number | Rear Part Number | Notes |
|-------|-------------|--------------|-------------------------|-------------------|--------------------|------------------|----------|
| MERLO | TELEHANDLER | 21 - CURRENT | ALL MODELS, TELEHANDLER | MRL1523.187 | | | A/O ONLY |

| MAKE | MODEL | YEAR | SERIES | Front Part Number | Middle Part Number | Rear Part Number | Notes |
|-----------------|-------------------------|-----------------|--|-------------------|--|------------------|--|
| mitsubishi fuso | CANTER | 08/95 - 09/08 | (FE, FG) 600 SERIES WIDE CAB TRUCK | CM105.303 | | CM223.1037 | |
| mitsubishi fuso | CANTER | 97 - 02 | (FE) 537 NARROW CAB TRUCK | MIT1256.303 | | | |
| mitsubishi fuso | CANTER | 04 - 10 | (FE) 2.5, 3.5, 4.5 NARROW SINGLE CAB TRUCK AND TIPPER | CM280.304 | | | |
| mitsubishi fuso | CANTER | 04 - 10 | (FE) 2.0, 3.5, 4.5 WIDE SINGLE CAB TRUCK AND TIPPER | CM281.304 | | | |
| mitsubishi fuso | CANTER | 08/08 - 10/11 | (FE, FG) 800 SERIES WIDE CAB TRUCK | CM281.304 | | CM223.1037 | |
| mitsubishi fuso | CANTER | 06/11 - 10/16 | (FG) 615, 715, 815 WIDE CAB TRUCK | CM225.126 | | CM225.865 | FRONT A/O AVAILABLE. REAR A/O ONLY |
| mitsubishi fuso | CANTER | 06/11 - 10/16 | (FE) 413, 515, 516, 616 CITY NARROW CAB TRUCK | CM221.126 | | | A/O AVAILABLE |
| mitsubishi fuso | CANTER | 11/11 - CURRENT | (FE) 615, 616, 715, 815, 816, 918 WIDE 2DR TRUCK | MIT1333.136 | | | RM1333 - CVC. A/O AVAILABLE. FRONT CONVERTED FROM CM244. |
| mitsubishi fuso | CANTER | 10/16 - CURRENT | (FE) 413, 515, 516, 616 CITY NARROW TRUCK | MIT1412.136 | | | RM1412 - CVC. A/O AVAILABLE. FRONT CONVERTED FROM CM243. |
| mitsubishi fuso | CANTER | 10/16 - CURRENT | (FG) 515, 715, 716 WIDE 2DR & 4DR TRUCK | MIT1333.136 | | CM225.865 | RM1333 - CVC. FRONT A/O AVAILABLE. FRONT CONVERTED FROM CM244. REAR A/O ONLY |
| mitsubishi fuso | FIGHTER | 11/07 - 04/11 | (FK, FM, FN) ALL BADGES TRUCK | CM247.402 | | | |
| mitsubishi fuso | FIGHTER | 05/11 - CURRENT | (FK, FM, FN) ALL BADGES TRUCK | MIT1291.402 | | | RM1291 - CVC. A/O AVAILABLE. FRONT CONVERTED FROM CM226. |
| mitsubishi fuso | HEAVY DUTY | 11 - CURRENT | (FP, FS, FV, SHOGUN) 2 SEAT SINGLE CAB TRUCK | CM227.110 | | | A/O ONLY |
| mitsubishi fuso | HEAVY DUTY | 11 - CURRENT | (FP, FS, FV, SHOGUN) 3 SEAT SINGLE CAB TRUCK | CM228.400 | | | A/O ONLY |
| mitsubishi fuso | ROSA BUS | 08 - CURRENT | (BE) DELUXE 25 SEAT (9 ROWS) | MIT1095.145 | MIT5092.1083 MIT5093.1084 | MIT9010.1085 | RM1095 - CVC. A/O ONLY. ROW 1 =1095, ROW 2 =5092, ROW 3-8 =5093, ROW 9 =9010 |
| mitsubishi fuso | ROSA BUS | 08 - CURRENT | (BE) DELUXE 22 SEAT (8 ROWS) | MIT1095.145 | MIT5092.1083 MIT5093.1084 | MIT9010.1085 | RM1095 - CVC. A/O ONLY ROW 1 =1095, ROW 2 =5092, ROW 3-7 =5093, ROW 8 =9010 |
| mitsubishi fuso | SHOGUN | 01/19 - CURRENT | (FP, FS, FU, FV) 2 SEAT SINGLE CAB TRUCK | MIT1142.148 | | | RM1142 - CVC. A/O ONLY |
| mitsubishi fuso | SHOGUN | 01/19 - CURRENT | (400) - FV74, FS72, FS76 & (460) - FS72, FS76 SEAT HEAVY TRUCK | MIT1405.215 | | | A/O ONLY |
| NEW HOLLAND | POSI TRACK | 22 - CURRENT | POSI COMPACT TRACK LOADER RANGE -C327, C332, C338 | NHO1636.244 |  | | AOF ONLY |
| NEW HOLLAND | SKID STEER WHEEL LOADER | 22 - CURRENT | SKID STEER LOADER RANGE -L313, L315, L318, L320, L325, L330 | NHO1636.244 |   | | AOF ONLY |
| NEW HOLLAND | WHEEL LOADER | 22 - CURRENT | WHEEL LOADER RANGE - W11D, W130D, W170D, W190D | NHO1637.197 |  | | AOF ONLY |

| MAKE | MODEL | YEAR | SERIES | Front Part Number | Middle Part Number | Rear Part Number | Notes |
|--------|---------|-----------------|--------------------------------------|-------------------|--------------------|------------------|----------|
| NISSAN | CABSTAR | 05/89 - 06/92 | (H40) DUAL CAB COMMERCIAL TRUCK | CD128.301 | | CD128.701 | |
| NISSAN | UD | 01/19 - CURRENT | CRONER TRUCK | NIS1354.178 | | | AOF ONLY |
| NISSAN | UD | N/A | QUON TRUCK | NIS1353.177 | | | AOF ONLY |
| NISSAN | URVAN | 09/82 - 08/90 | (E23, E24) SGL PEOPLE MOVER, MINIBUS | CD040.402 | CD040.504 | CD040.704 | |

| MAKE | MODEL | YEAR | SERIES | Front Part Number | Middle Part Number | Rear Part Number | Notes |
|-------------|--------------|-------------|---------------|--------------------------|---------------------------|-------------------------|--------------------------------|
| SEARS | D55 | N/A | TRACTOR | SEA1415.198 | | | AOF ONLY. ARMRESTS NOT COVERED |

| MAKE | MODEL | YEAR | SERIES | Front Part Number | Middle Part Number | Rear Part Number | Notes |
|---------|-----------|---------|--|-------------------|--------------------|------------------|----------------------------|
| STRATOS | 785 | CURRENT | DRIVER SEAT ONLY (EXCLUDES INTEGRATED SEATBELT) | STR1367.190 | | | FRONT CONVERTED FROM CG482 |
| STRATOS | 3000 LTSS | CURRENT | DRIVER & PASSENGER SUSPENSION BUCKET SEATS WITH INNER ARMRESTS | STR1293.166 | | | A/O ONLY |
| STRATOS | 3000 LTSS | CURRENT | DRIVER & PASSENGER SUSPENSION BUCKET SEATS | STR1294.108C | | | RM - CVC. A/O ONLY |

| MAKE | MODEL | YEAR | SERIES | Front Part Number | Middle Part Number | Rear Part Number | Notes |
|----------|-----------|--------------|--|-------------------|--------------------|------------------|--|
| TECHSAFE | INTERLINE | 22 - CURRENT | QUAD SEAT | N/A | | TEC5351.526 | AOF ONLY |
| TECHSAFE | INTERLINE | 22 - CURRENT | QUAD SEAT WITH SENSOR POCKETS ON SEATS | N/A | | TEC5355.526 | AOF ONLY. SEATBELT SENSOR POCKET ON SEAT BASE. |

| MAKE | MODEL | YEAR | SERIES | Front Part Number | Middle Part Number | Rear Part Number | Notes |
|-------------|--------------|--------------|--------------------|--------------------------|---------------------------|-------------------------|-----------------------|
| THWAITES | DUMPER | 22 - CURRENT | ALL MODELS, DUMPER | THW1483.179 | | | SINGLE SEAT. A/O ONLY |

| MAKE | MODEL | YEAR | SERIES | Front Part Number | Middle Part Number | Rear Part Number | Notes |
|--------|---------|-----------------|--|-------------------|---|------------------|---|
| TOYOTA | COASTER | 04/17 - CURRENT | (XZB70R) DELUXE, STANDARD 22 SEAT BUS | TOY1340.172 | SEE NOTES | SEE NOTES | AOF PATTERN ONLY AVAILABLE. ROW 2 = TOY5280.1133 ROW 3 = TOY5281.1135 ROW 4, 5, 6 & 8 = TOY5282.1134 ROW 7 = TOY5283.1134 |
| TOYOTA | COASTER | 04/17 - CURRENT | (XZB70R) DELUXE & STANDARD WITH SEAT SENSOR POCKET UNDER BASE 22 SEAT BUS | TOY1340.172 | SEE NOTES | SEE NOTES | AOF PATTERN ONLY AVAILABLE. ROW 2 = TOY5294.1133 ROW 3 = TOY5295.1135 ROW 4, 5, 6 & 8 = TOY5296.1134 ROW 7 = TOY5297.1134 |
| TOYOTA | DYNA | 80 - 85 | (RY31) TOYOACE 2DR BUS | CT205.302 | | | |
| TOYOTA | DYNA | 11/85 - 06/95 | 100-200 SERIES | CT200.400 | | CT200.701 | |
| TOYOTA | DYNA | 08/88 - 05/95 | 300 SERIES DUAL CAB | CT201.400 | | CT206.701 | |
| TOYOTA | DYNA | 05/95 - 07/01 | 100 -150 SERIES TRUCK | CT202.303 | | | |
| TOYOTA | DYNA | 05/99 - 01/04 | 200 LONG, 200 WIDE TRUCK | CT207.411 | | | |
| TOYOTA | DYNA | 12/99 - 01/04 | 200 SERIES | CT203.410 | | | |
| TOYOTA | HIACE | 12/82 - 83 | COMMUTER BUS (5 ROWS) | CT135.305 | CT135.501 | CT135.701 | 2ND, 3RD & 4TH ROW PIC 501 |
| TOYOTA | HIACE | 83 - 01/84 | COMMUTER BUS (5 ROWS) | CT135.305 | CT135.501 | CT140.702 | 2ND, 3RD & 4TH ROWS PIC 501 |
| TOYOTA | HIACE | 10/89 - 02/05 | COMMUTER BUS (5 ROWS) | CT143.303 | CT143.501 | CT143.702 | 2ND, 3RD & 4TH ROWS PIC 501 |
| TOYOTA | HIACE | 01/05 - 01/19 | COMMUTER BUS 12 & 14 SEAT | TOY1034.110 | TOY5387.708 TOY5388.1009 | TOY9057.1155 | RM1034 - STC, TRB, TRG. AO AVAILABLE 1034. ROW 2 = 5387, ROW 3 & 4 = 5388, ROW 5 = 9057. CONFIGURATIONS VARY, CHECK IMAGES. |
| TOYOTA | HIACE | 01/05 - 01/19 | (KDH) COMMUTER BUS | TOY1034.110 | TOY5284.1137 TOY5285.1136 | TOY5285.1136 | RM1034 - STC, TRB, TRG. AO AVAILABLE 1034. VARIOUS SEAT CONFIGURATIONS AVAILABLE, PLEASE CHECK IMAGES. ROW 2 = TOY5284.1137, ROW 3 & 4 = TOY5285.1136 |
| TOYOTA | HIACE | 02/19 - CURRENT | SLWB & GL COMMUTER BUS 5 ROWS | TOY1121.102C | TOY5119.821 TOY5309.1009 TOY5120.1009 | TOY9014.821 | RM1121 - G2B, STC, TRB, TRG. AOF AVAILABLE ALL ROWS. ROW 1 = 1121, ROW 2 = 5119, ROW 3 = 5309, ROW 4 = 5120, ROW 5 = 9014 |
| TOYOTA | HIACE | 02/19 - CURRENT | SLWB & GL COMMUTER BUS 5 ROWS WITH SEAT SENSOR POCKET UNDER BASE | TOY1121.102C | TOY5300.821 TOY5308.1009 TOY5301.1009 | TOY9041.821 | RM1121 - G2B, STC, TRB, TRG. AOF AVAILABLE ALL ROWS. ROW 2 - 5 ARE A/O ONLY (NO POLY PATTERN). ROW 1 = 1121, ROW 2 = 5300, ROW 3 = 5308, ROW 4 = 5301, ROW 5 = 9041 |
| TOYOTA | HIACE | 02/19 - CURRENT | (GDH) 11 SEAT COMMUTER BUS 4 ROWS | TOY1121.102C | TOY5119.821 TOY5248.1125 | TOY9034.1126 | RM1121 - G2B, STC, TRB, TRG. AOF AVAILABLE 1121 & 5119. ROW 1 = 1121, ROW 2 = 5119, ROW 3 = 5248, ROW 4 = 9034 |

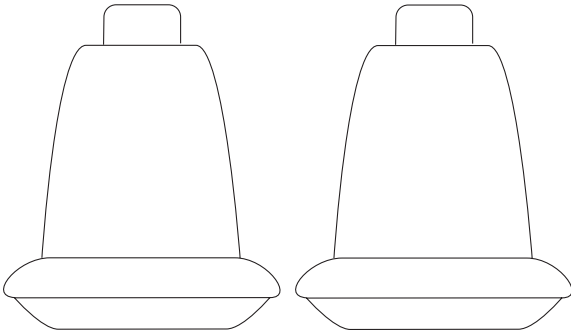
| MAKE | MODEL | YEAR | SERIES | Front Part Number | Middle Part Number | Rear Part Number | Notes |
|------------|-----------|-----------------|-----------------------------|-------------------|--------------------------|------------------|---|
| VOLKSWAGEN | CARAVELLE | 93 - 12/96 | (T4) MINIBUS | CQ001.102 | CQ001.516 | CQ001.713 | |
| VOLKSWAGEN | CARAVELLE | 10/97 - 03/03 | (T4) GLS MINIBUS | CQ004.109 | CQ004.939 | CQ004.938 | |
| VOLKSWAGEN | CARAVELLE | 09/00 - 06/05 | (T4) TDI MINIBUS | CQ004.109 | CQ004.939 | CQ004.938 | |
| VOLKSWAGEN | CARAVELLE | 07/06 - 02/10 | (T5) 8 SEAT MINIBUS | CQ051.410 | CQ016.1025 | CQ016.717 | |
| VOLKSWAGEN | CARAVELLE | 03/10 - CURRENT | (T5, T6) TDI 9 SEAT MINIBUS | CQ016.122C | CQ016.1025 CQ016.1026 | CQ016.717 | ROW 1 = PIC 122C, ROW 2 = PIC 1025, ROW 3 = PIC 1026, ROW 4 = PIC 717 |

| MAKE | MODEL | YEAR | SERIES | Front Part Number | Middle Part Number | Rear Part Number | Notes |
|-------|-------|--------------|----------------------|-------------------|--------------------|------------------|---|
| VOLVO | FE | 15 - CURRENT | FE SERIES TRUCK | VOL1530.227 | | | AOF ONLY. |
| VOLVO | FM11 | 17 - CURRENT | 450 TRUCK | VOL1157.221 | | | AOF ONLY. UNIVERSAL ARMREST ALLOWANCE TO SUIT 0, 1 OR 2 ARMRESTS. |
| VOLVO | FM11 | 17 - CURRENT | 450 TRUCK | VOL1446.220 | | | AOF ONLY. UNIVERSAL ARMREST ALLOWANCE TO SUIT 0, 1 OR 2 ARMRESTS. |
| VOLVO | FM13 | 2006 - 2010 | 440 SINGLE CAB TRUCK | VOL1380.158 | | | |

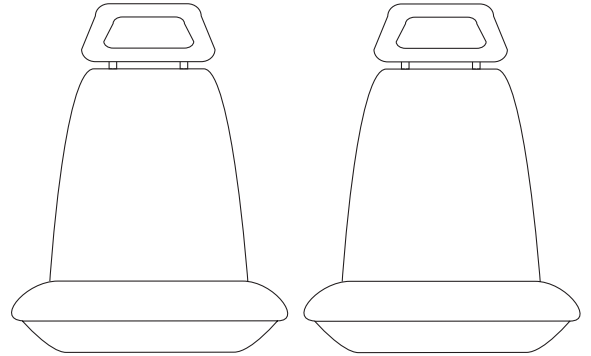
| MAKE | MODEL | YEAR | SERIES | Front Part Number | Middle Part Number | Rear Part Number | Notes |
|--------------|-------|--------------|---------------|-------------------|--------------------|------------------|--|
| WESTERN STAR | X | 19 - CURRENT | X MODEL TRUCK | WES1458.225 | | | ISRI 5030-880 DRIVER SEAT AND SEARS STATIC PASSENGER SEAT. AOF ONLY. |
| WESTERN STAR | X | 19 - CURRENT | X MODEL TRUCK | WES1385.194 | | | ISRI 5030-880 DRIVER AND PASSENGER SEAT. AOF ONLY |
| WESTERN STAR | TBA | 19 - CURRENT | TRUCK | WES1382.191 | | | ISRI 5030-880 DRIVER SEAT AND FIXED ISRI PASSENGER SEAT. AOF ONLY |

FRONT SEATS

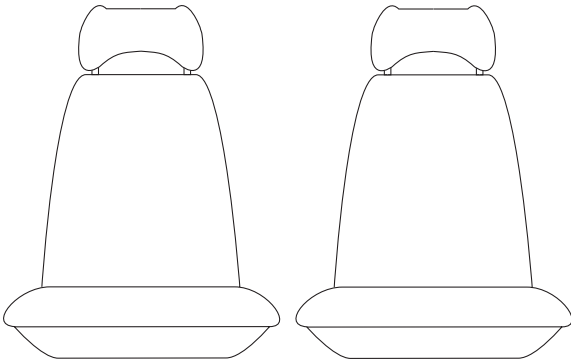
101



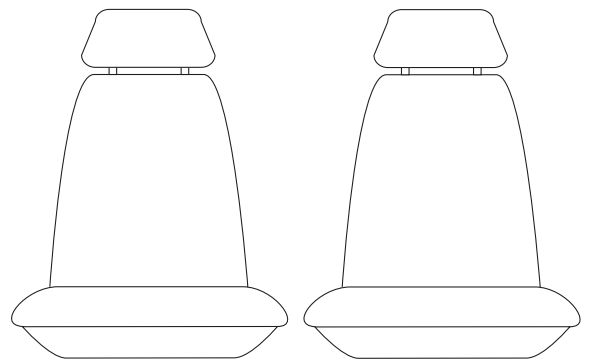
101A



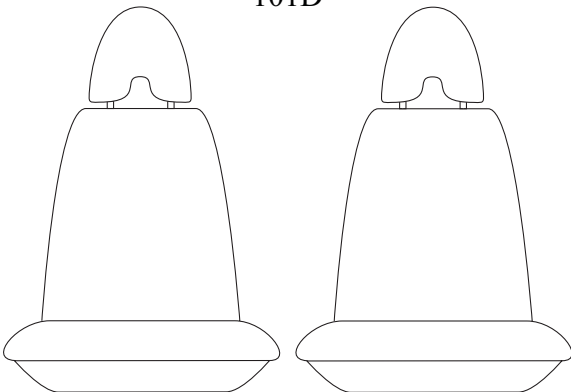
101B



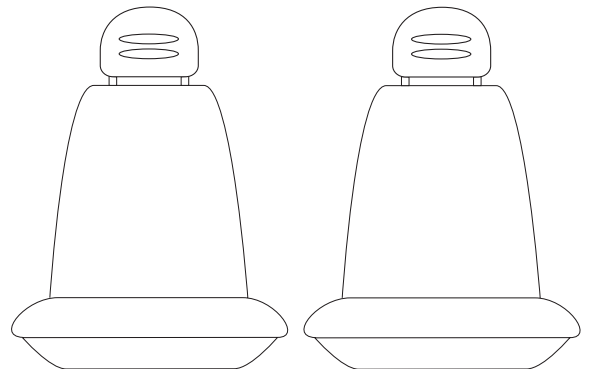
101C



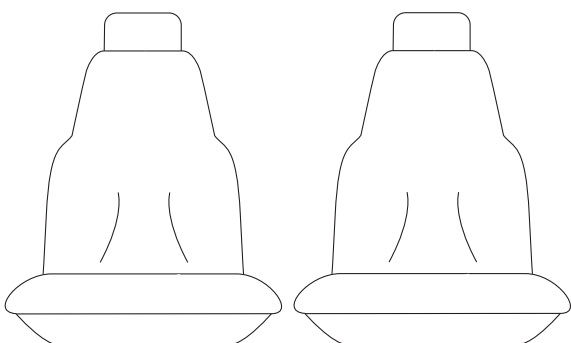
101D



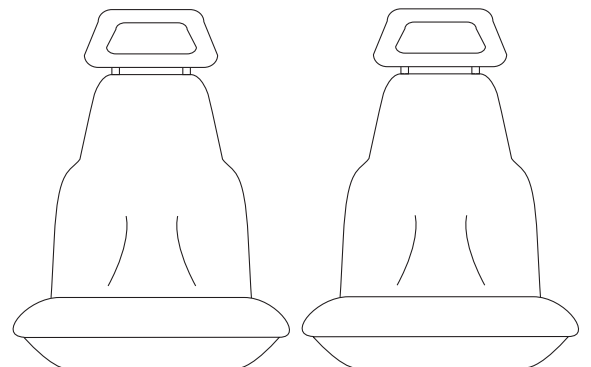
101F



102

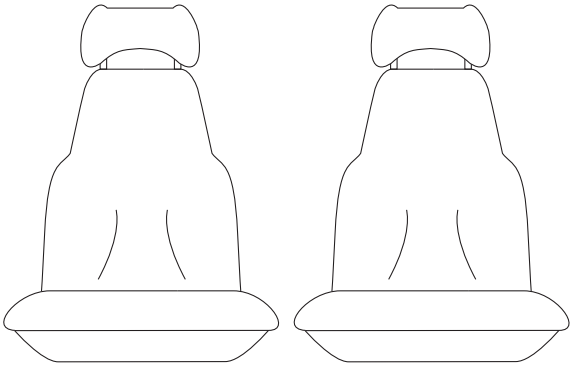


102A

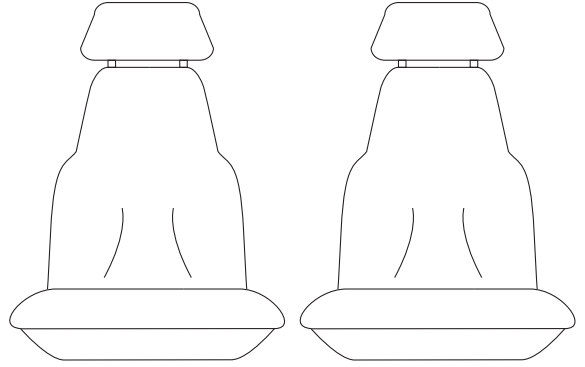


FRONT SEATS

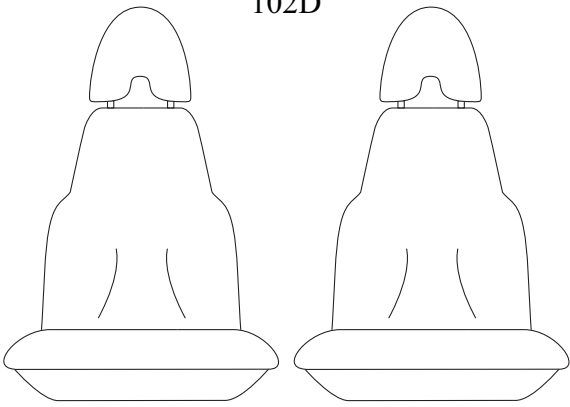
102B



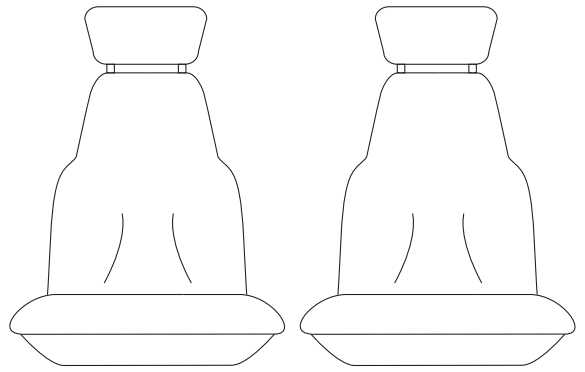
102C



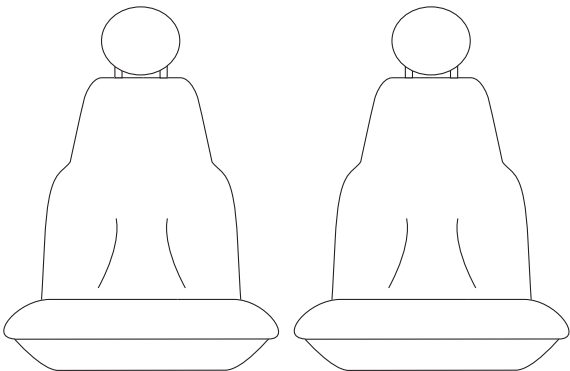
102D



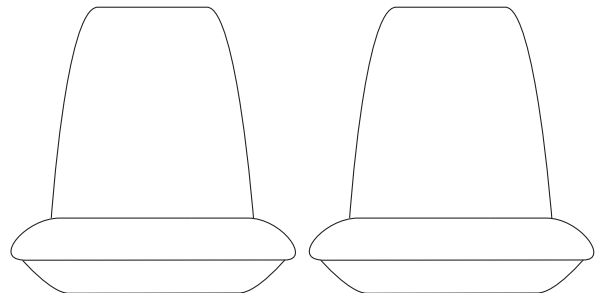
102E



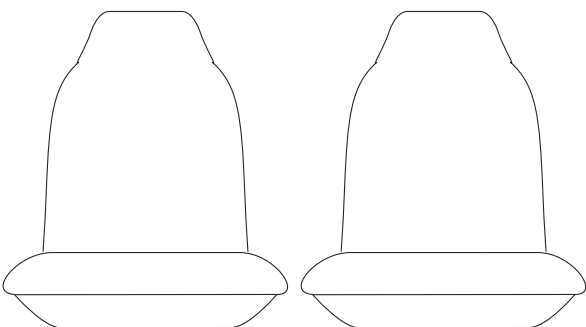
102G



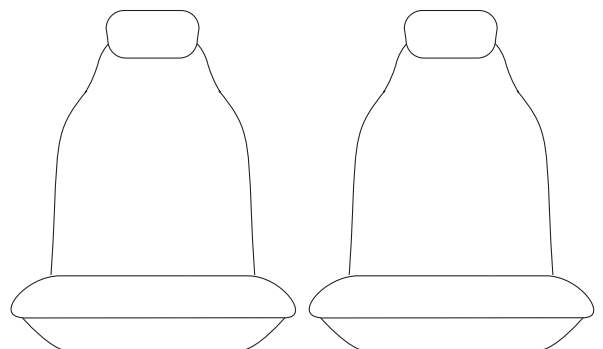
103



104

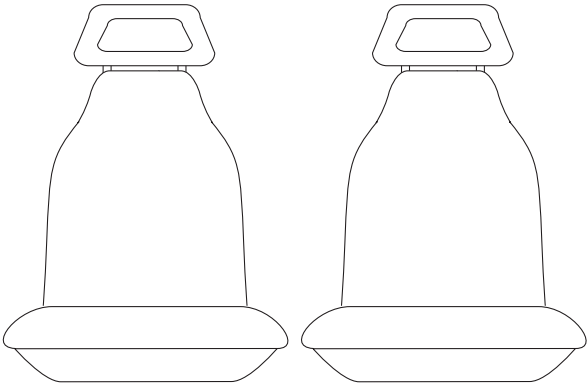


105

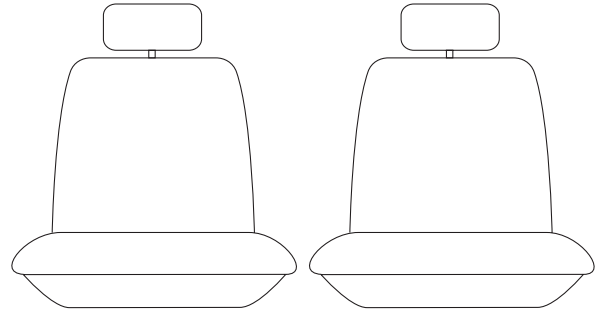


FRONT SEATS

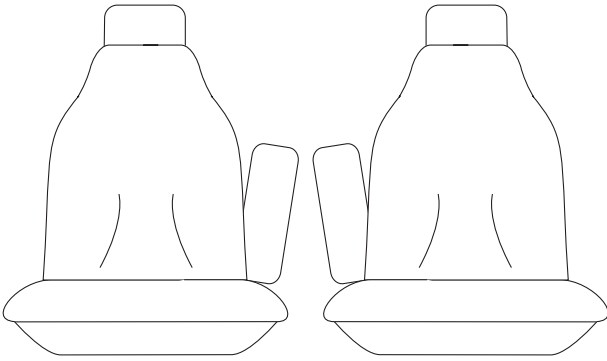
105A



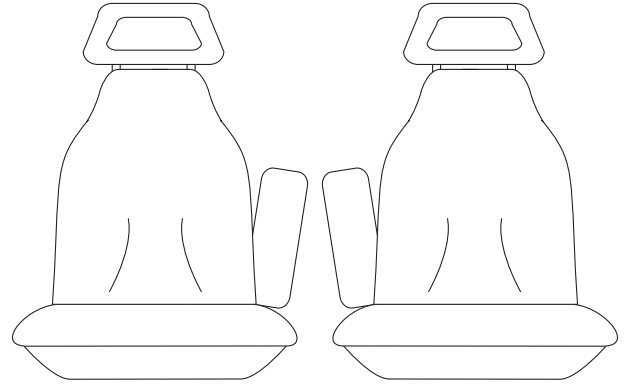
106



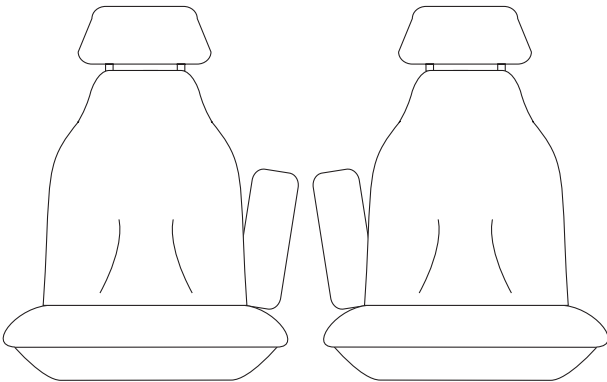
107



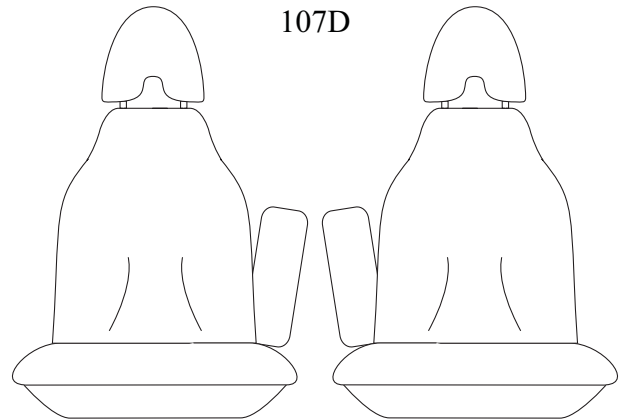
107A



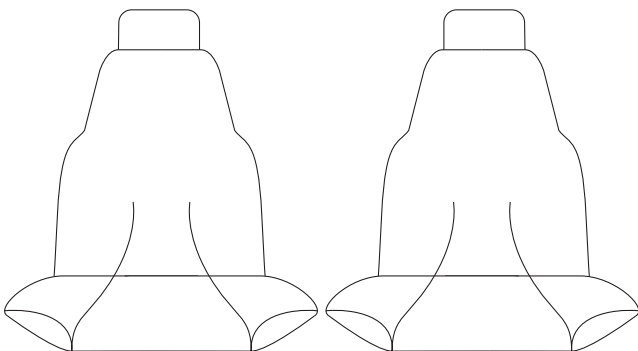
107C



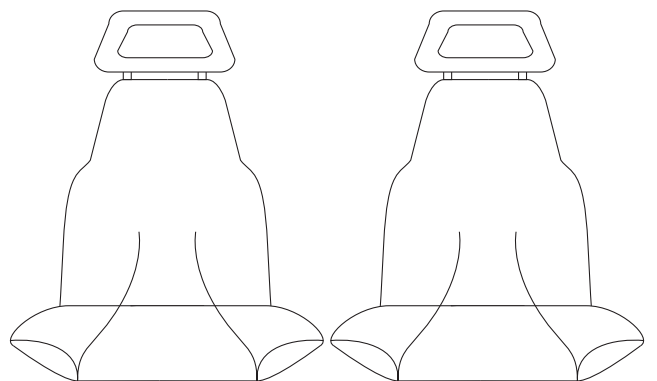
107D



108

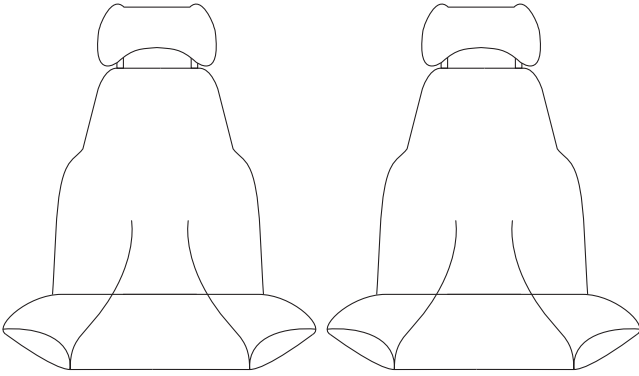


108A

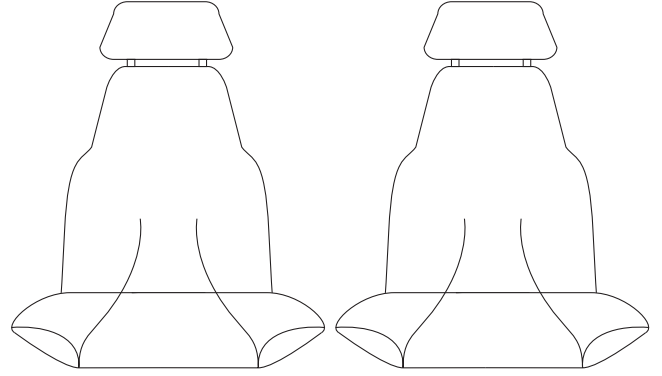


FRONT SEATS

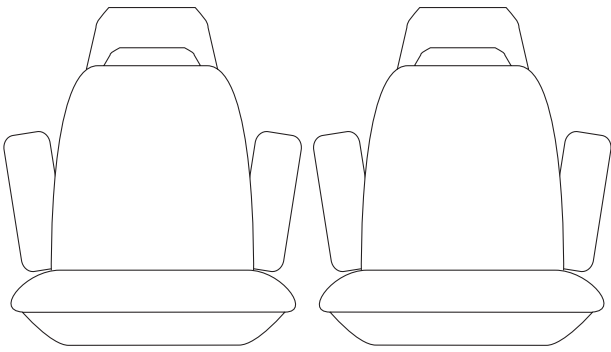
108B



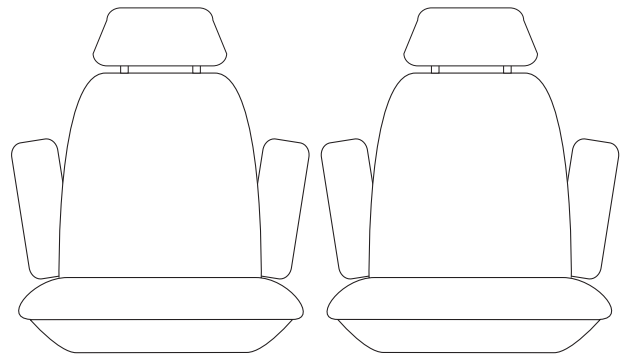
108C



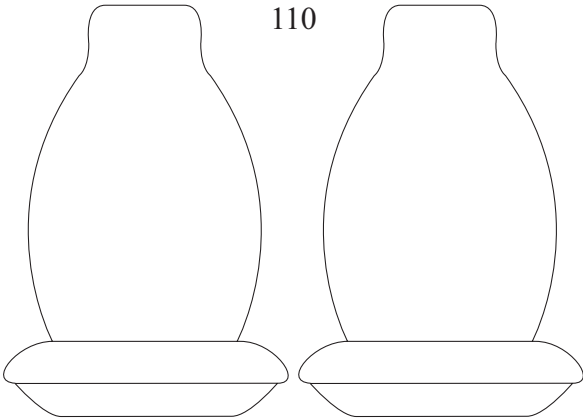
109



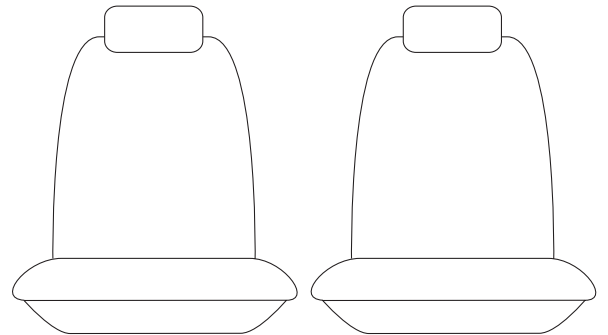
109C



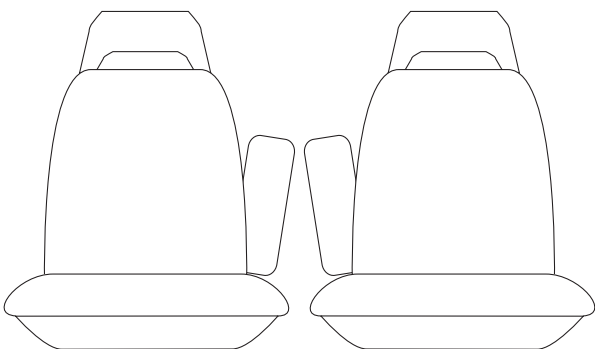
110



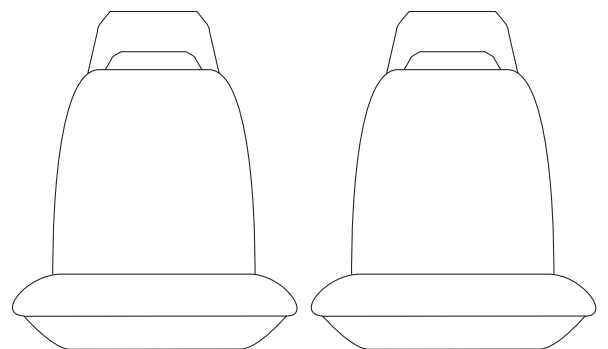
111



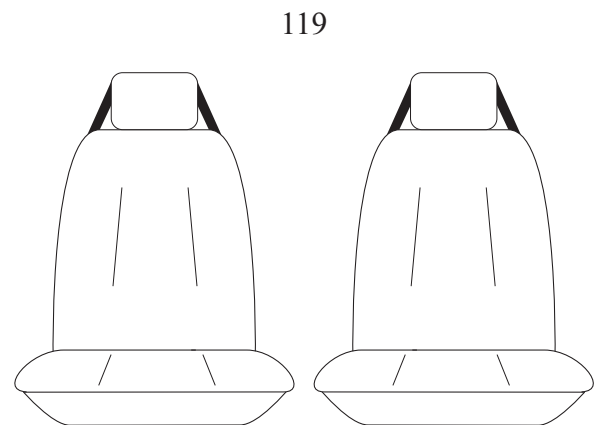
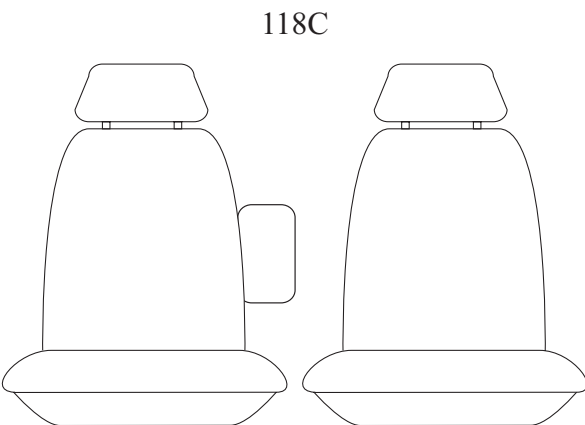
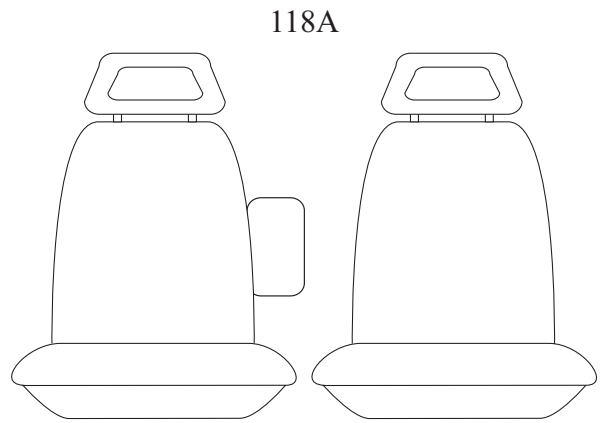
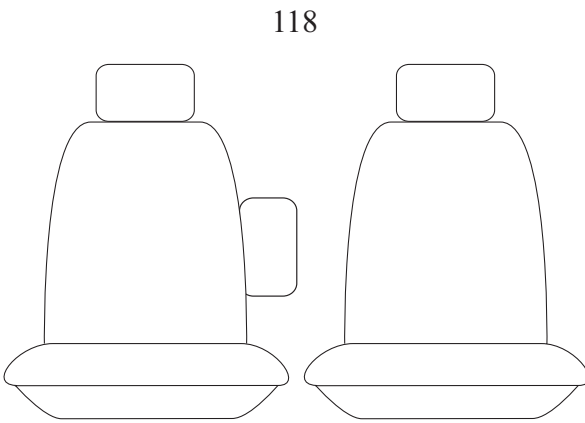
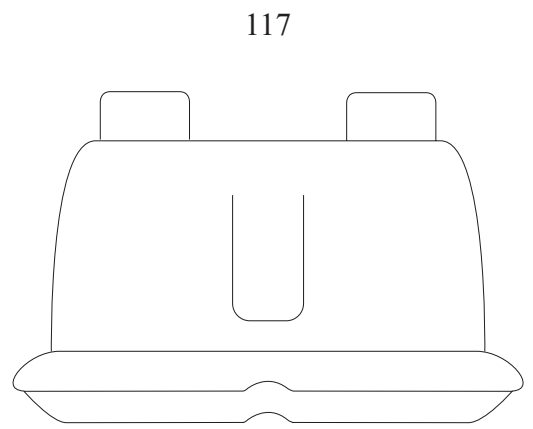
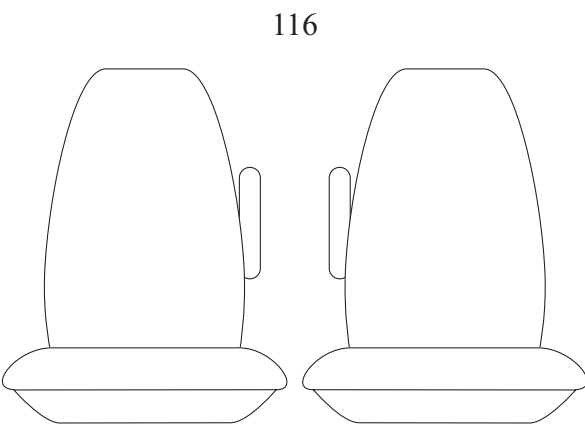
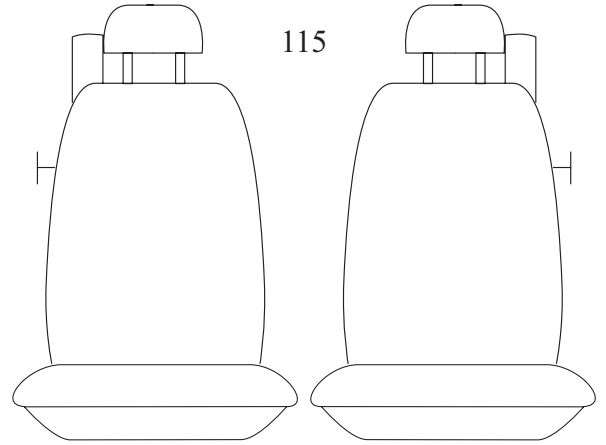
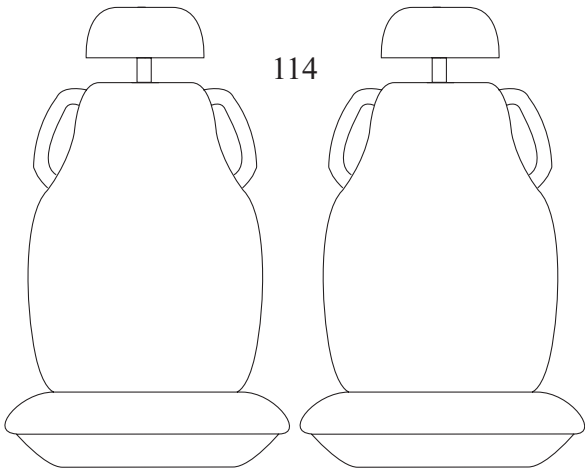
112



113

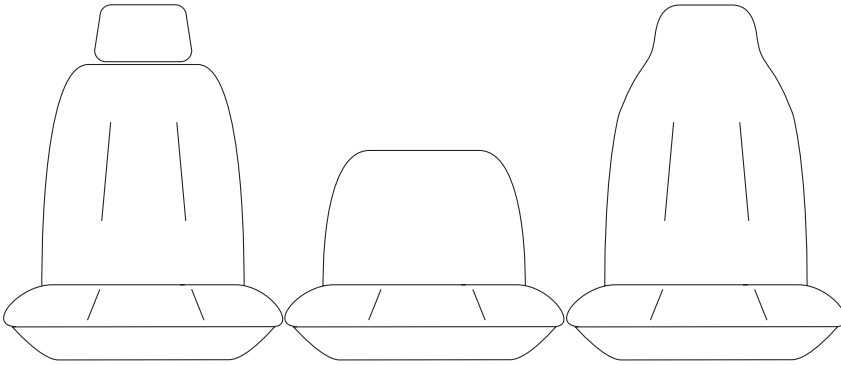


FRONT SEATS

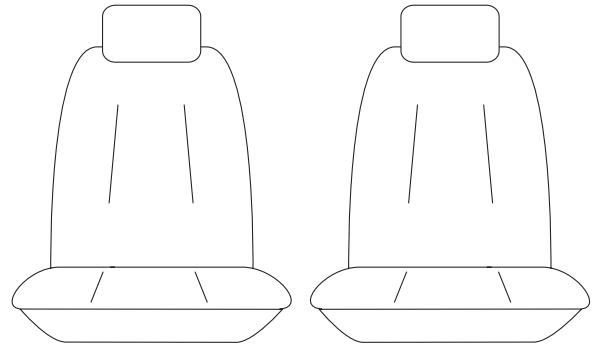


FRONT SEATS

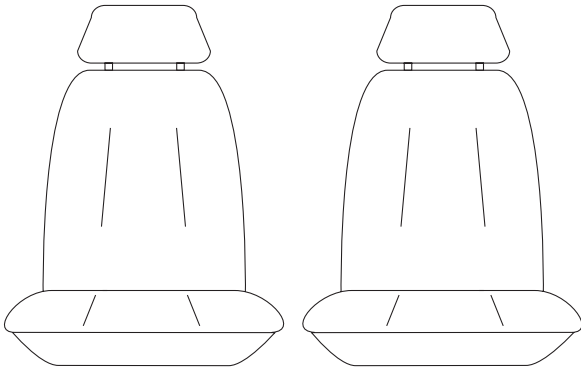
120



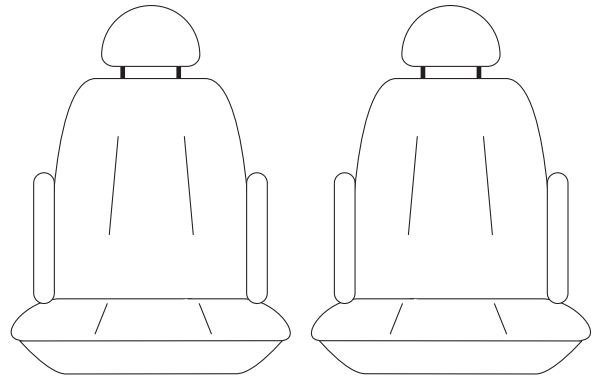
121



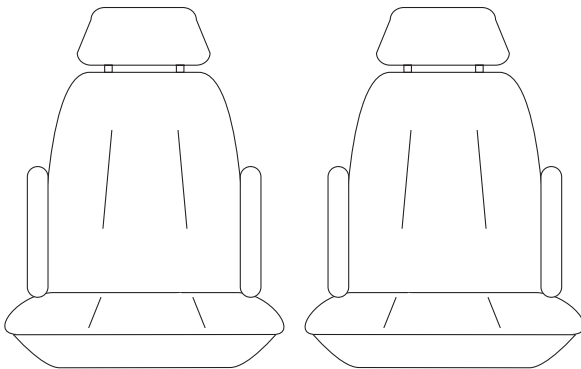
121C



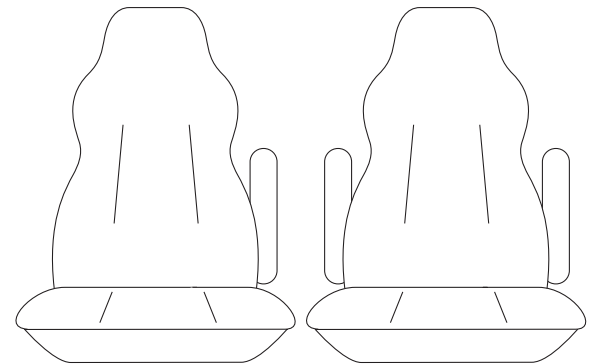
122



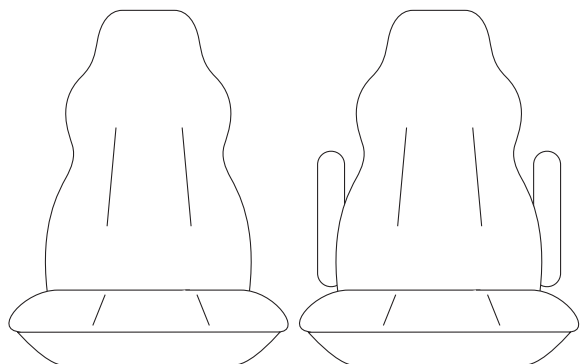
122C



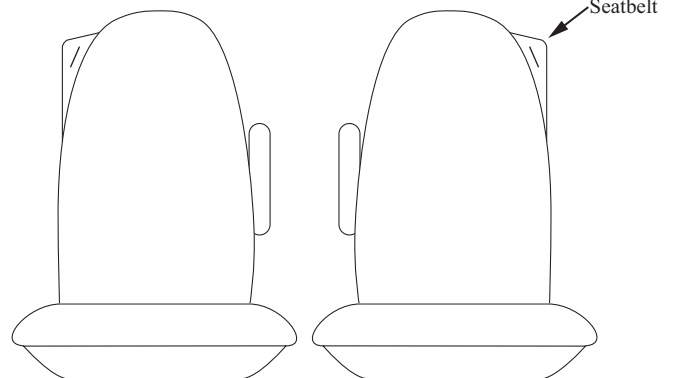
123



124

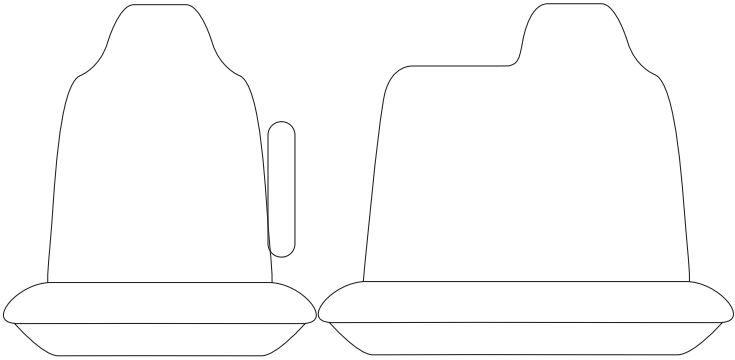


125

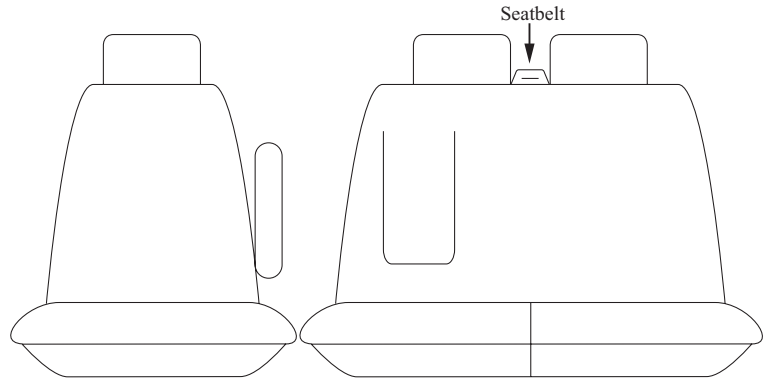


FRONT SEATS

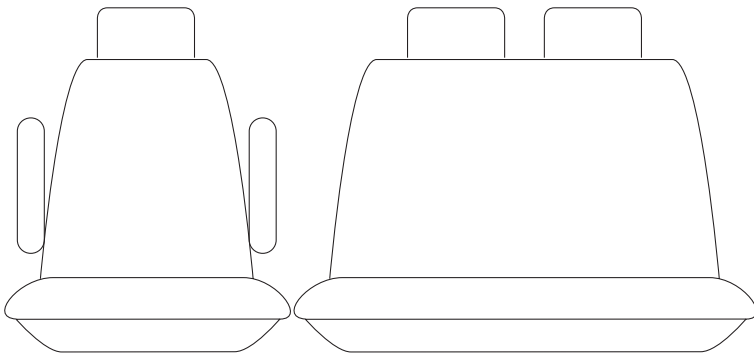
126



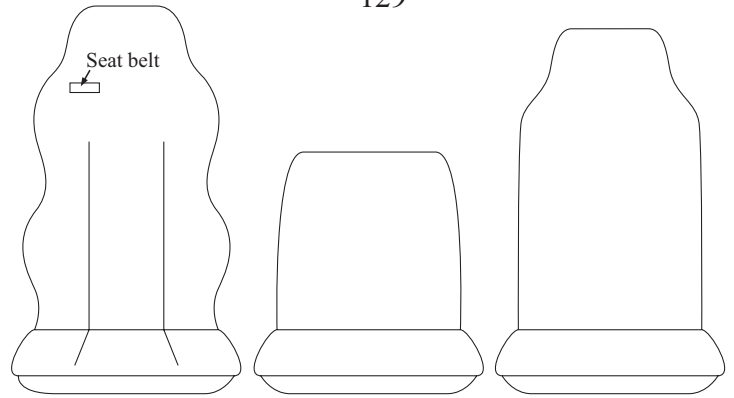
127



128

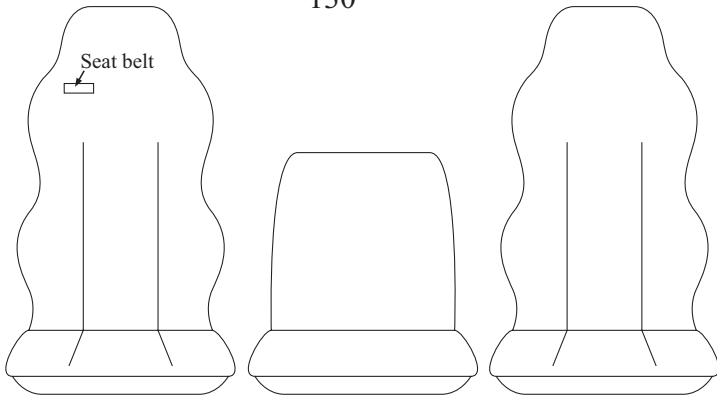


129



ISRI

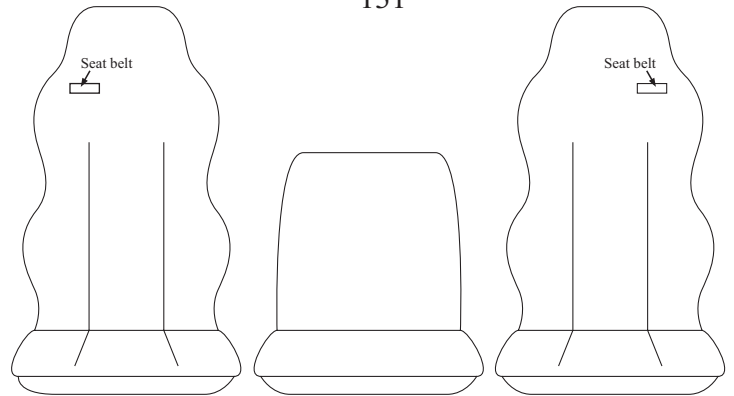
130



ISRI

ISRI

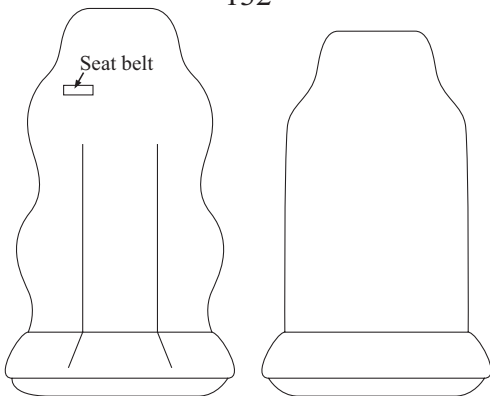
131



ISRI

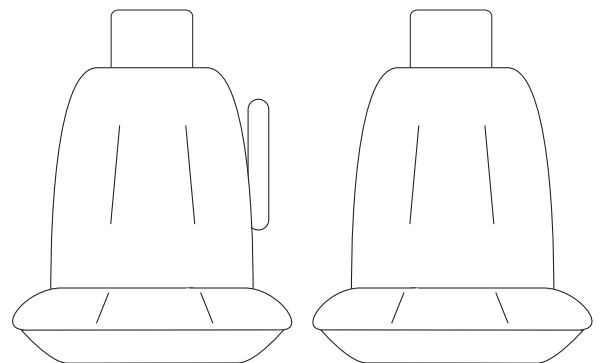
ISRI

132



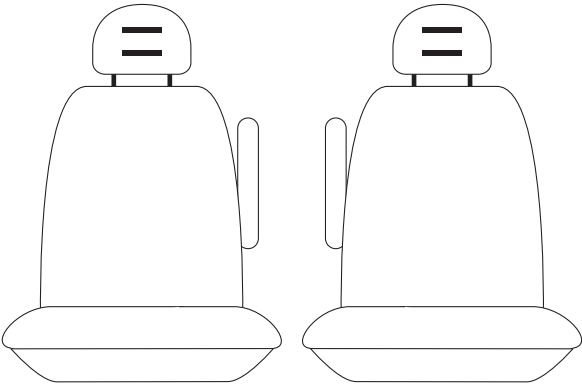
ISRI

133

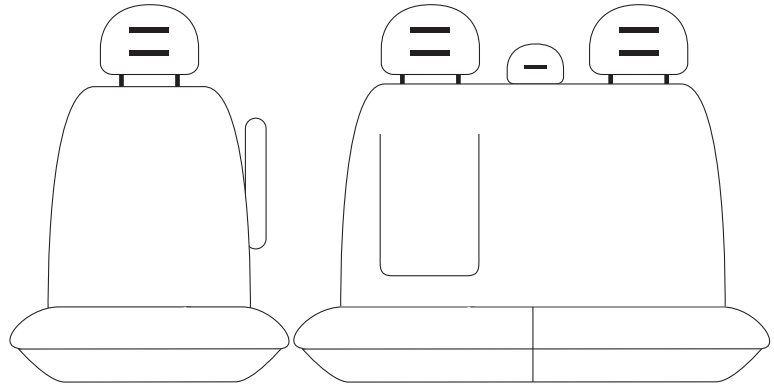


FRONT SEATS

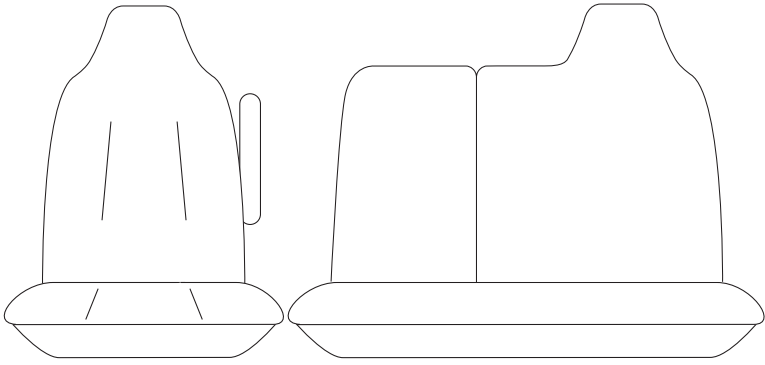
134



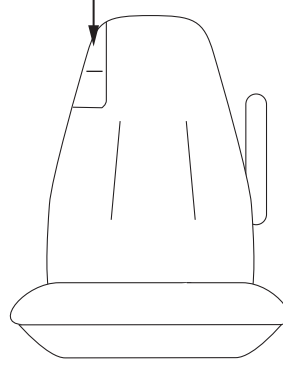
135



136

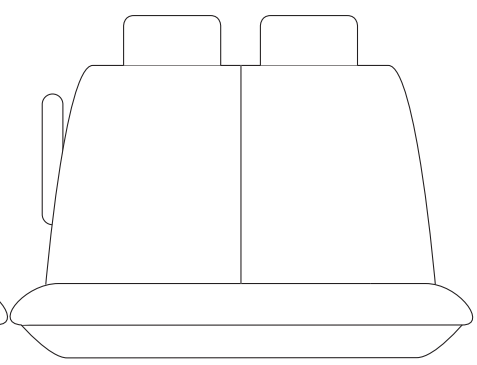


Seatbelt



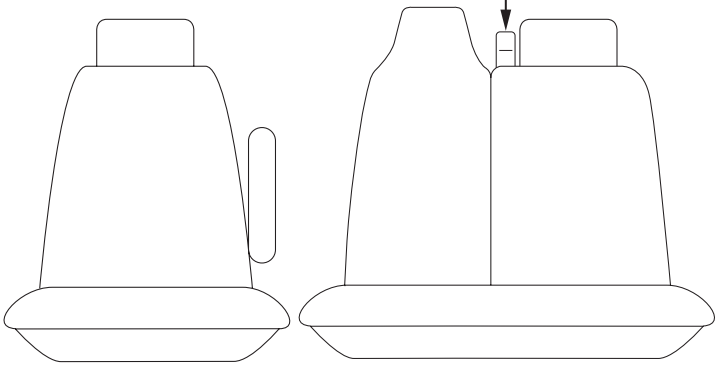
ISRI

137

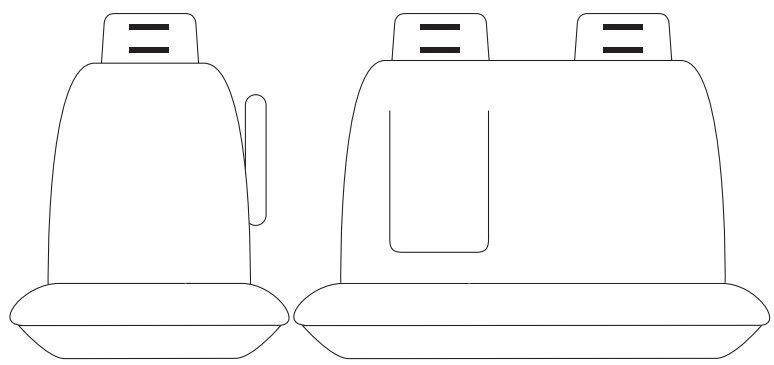


138

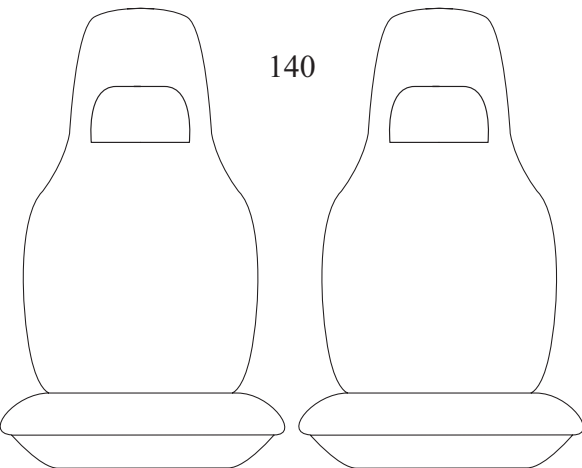
Seatbelt



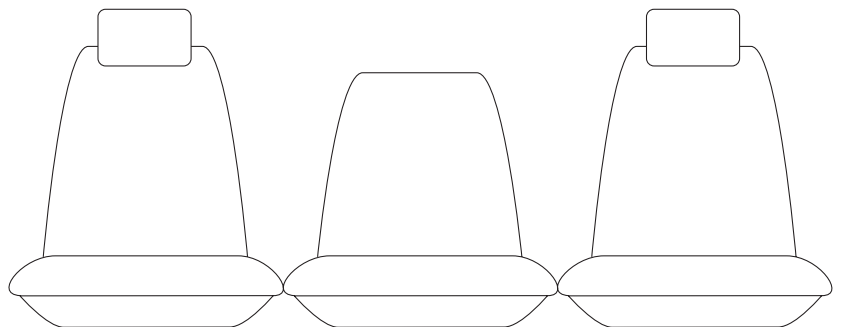
139



140

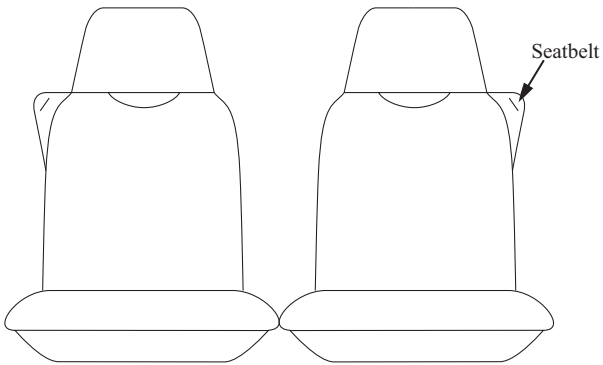


141

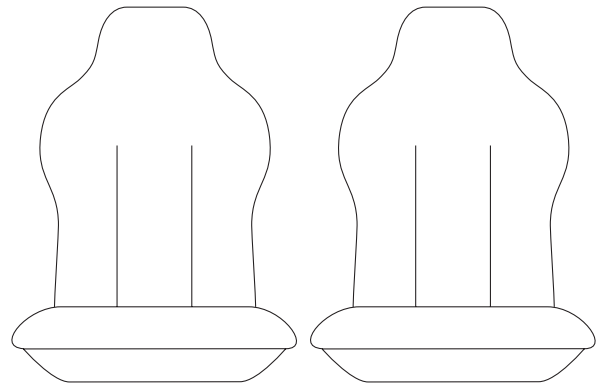


FRONT SEATS

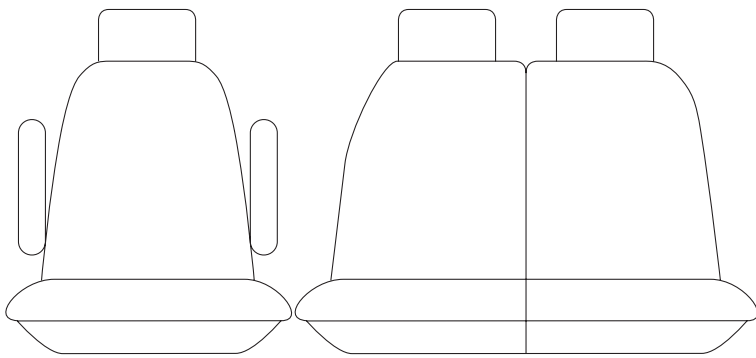
142



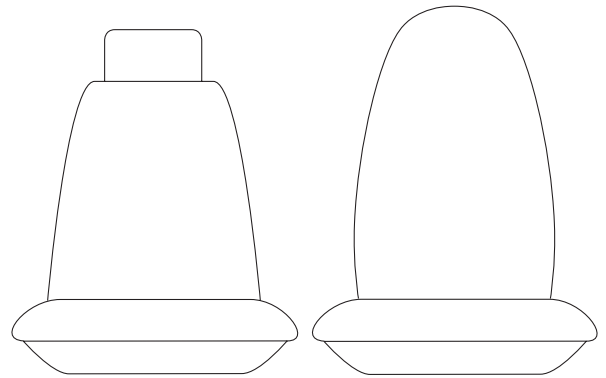
143



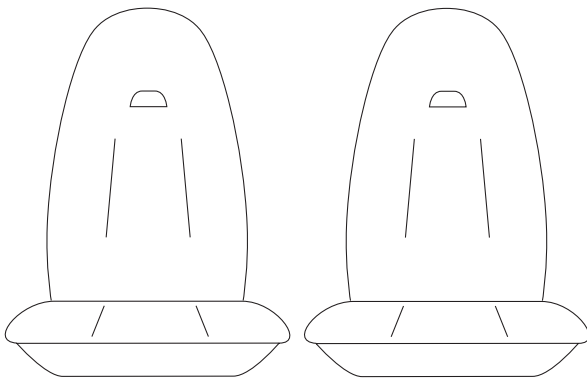
144



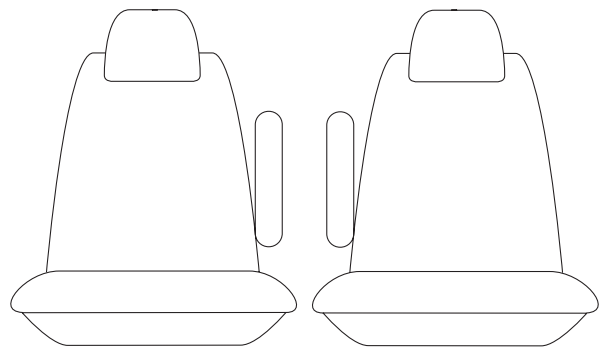
145



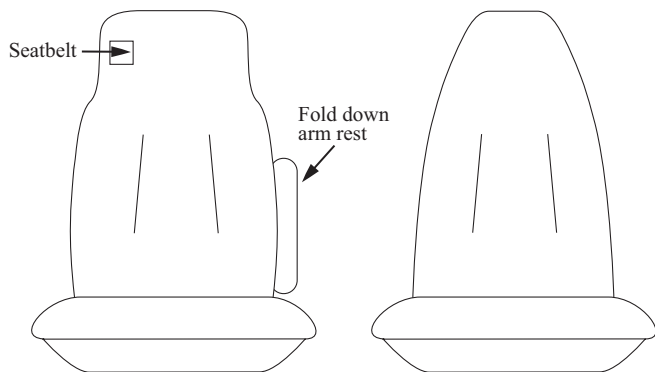
146



147

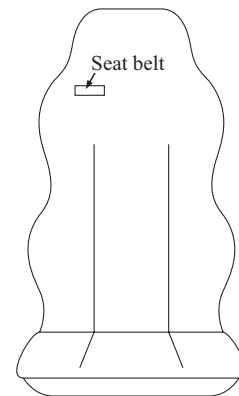


148



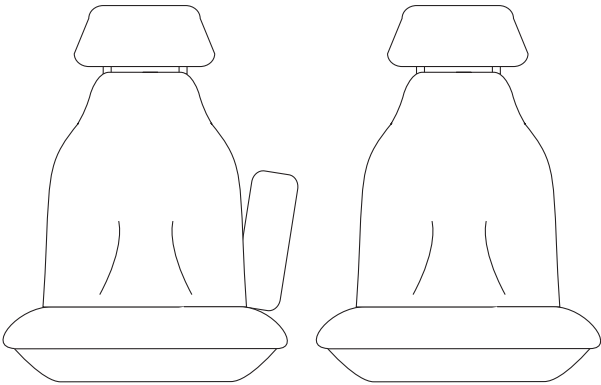
ISRI

149

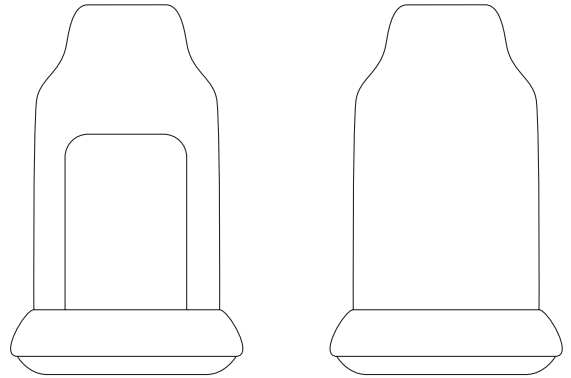


FRONT SEATS

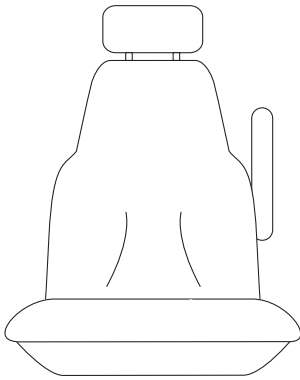
150



151

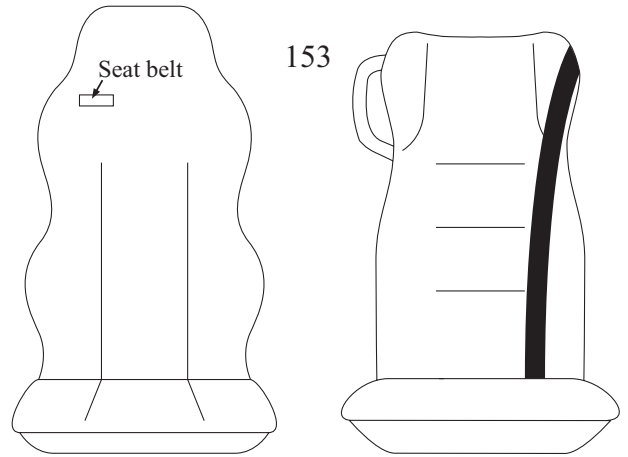


152



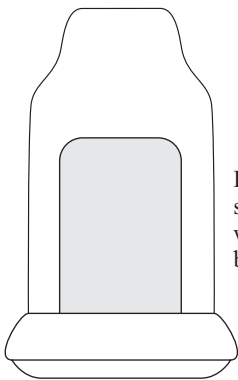
Seat belt

153



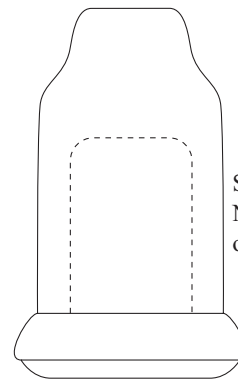
ISRI

154



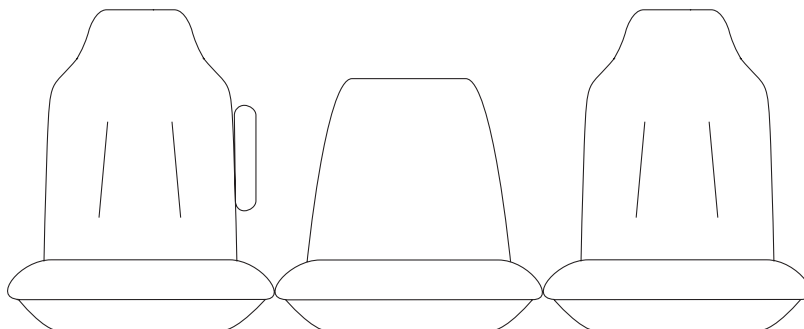
Driver suspension seat with 2 piece backrest

155



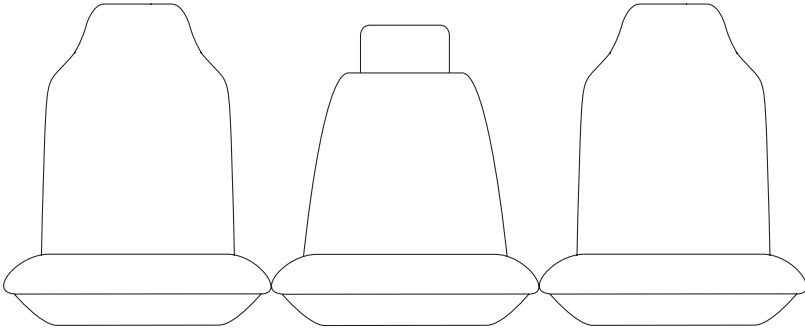
Suspension NOT allowed for on seat cover

156

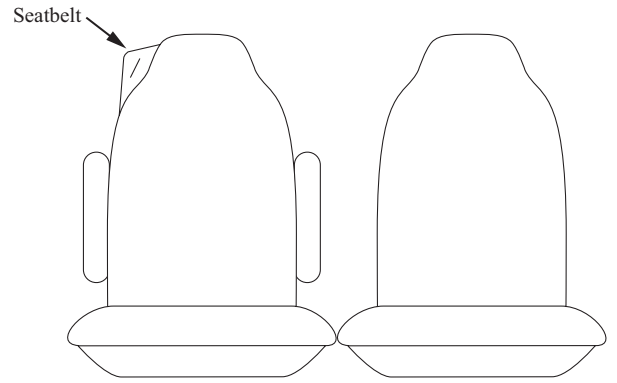


FRONT SEATS

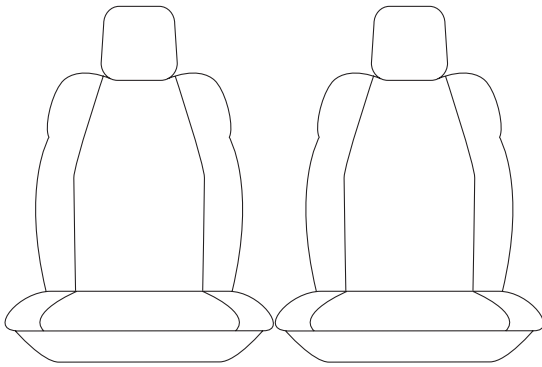
157



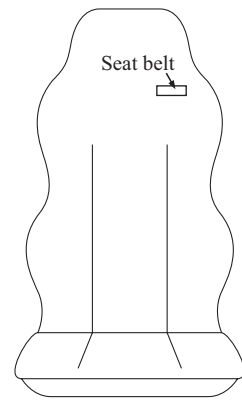
158



159

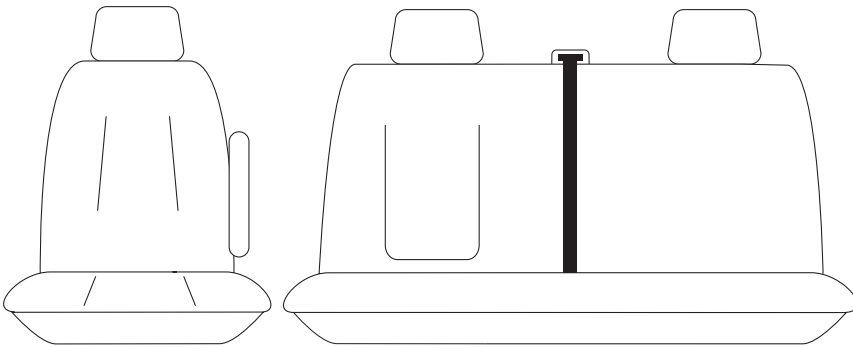


160

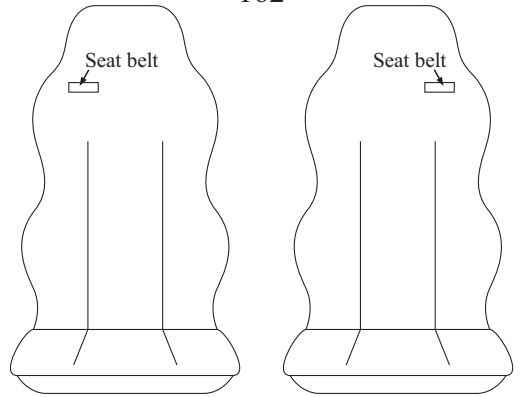


ISRI

161



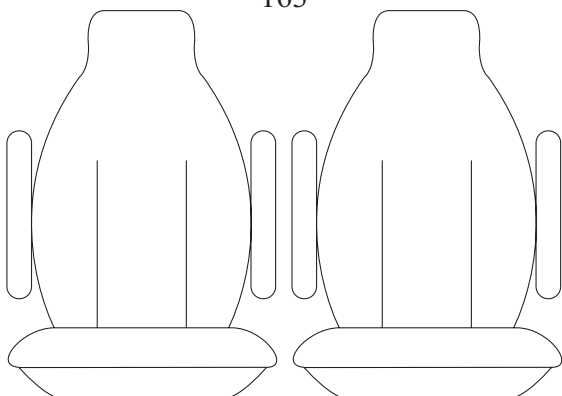
162



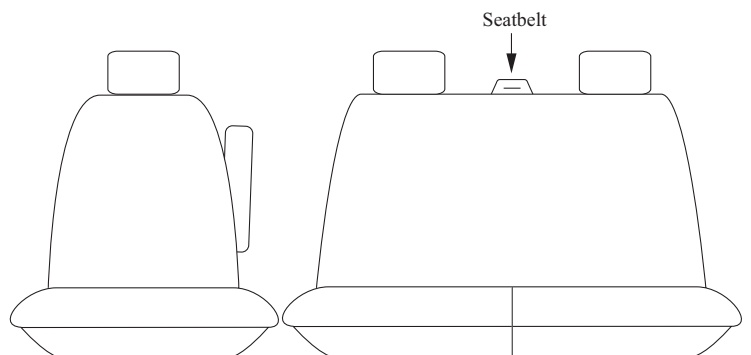
ISRI

ISRI

163

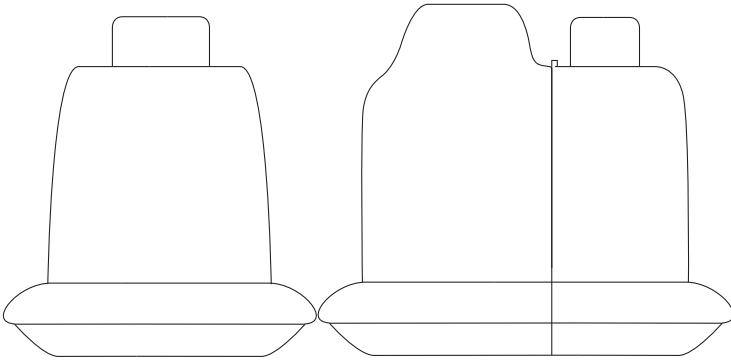


164

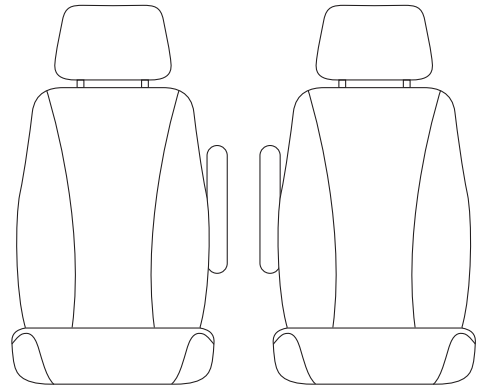


FRONT SEATS

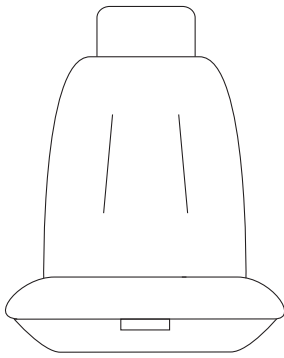
165



166



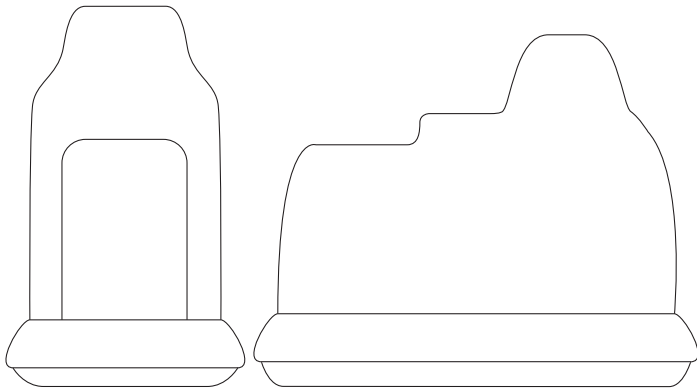
167



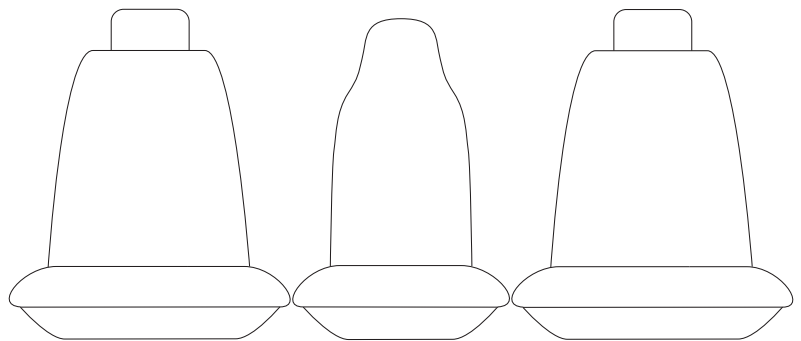
168



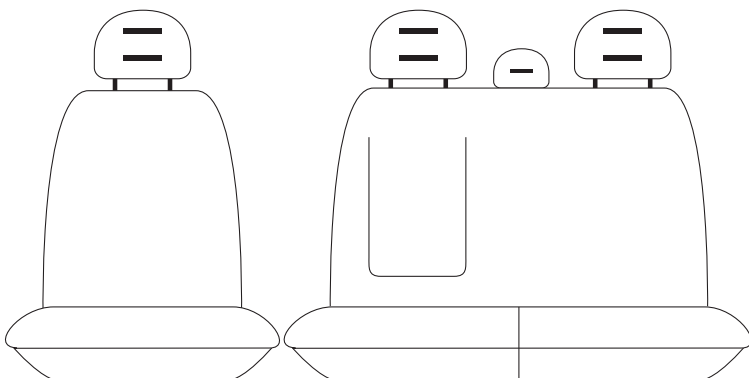
169



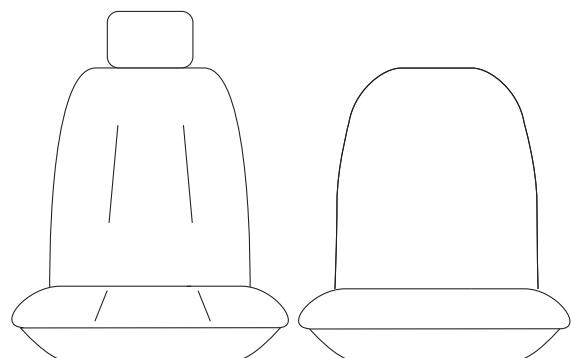
170



171

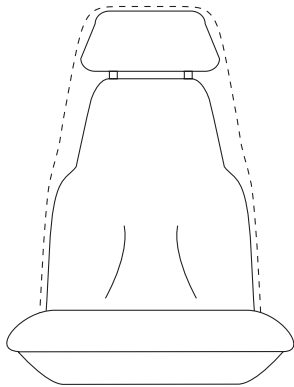


172

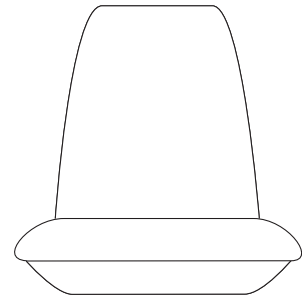


FRONT SEATS

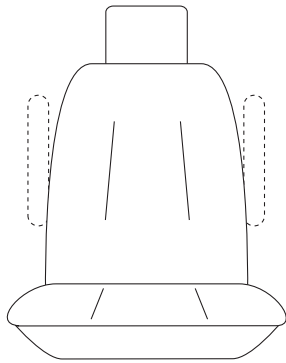
173



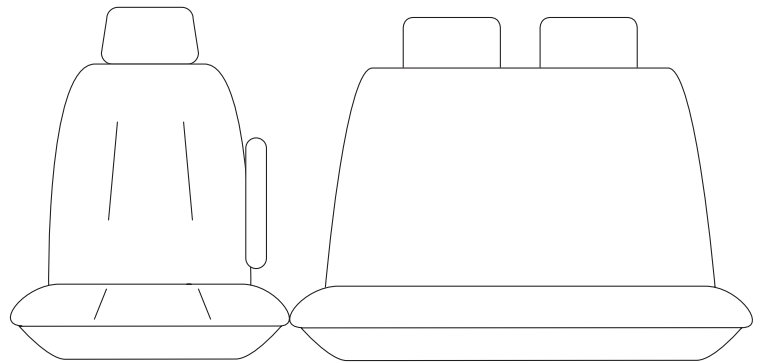
174



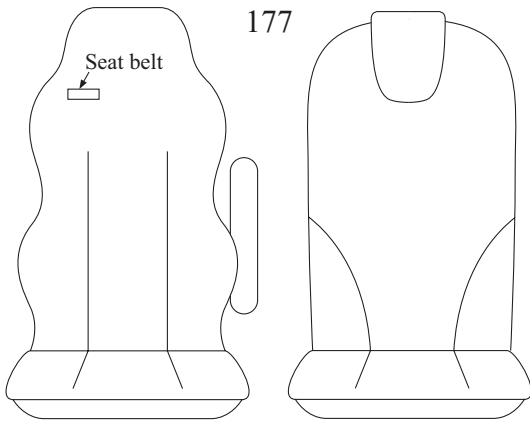
175



176

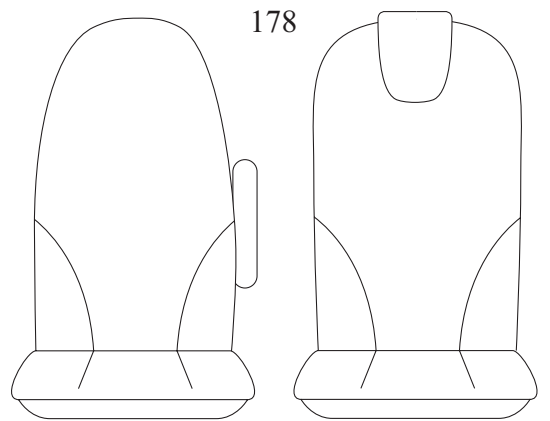


177

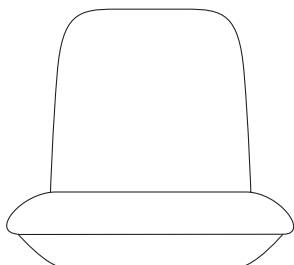


ISRI

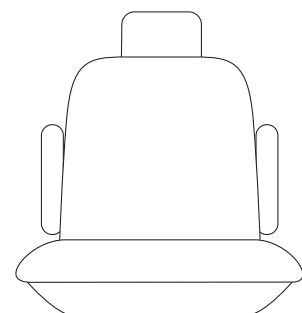
178



179

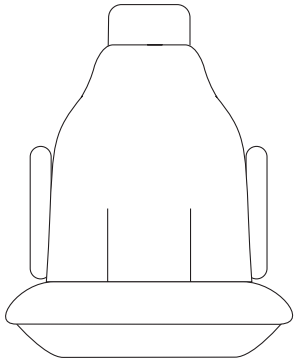


180

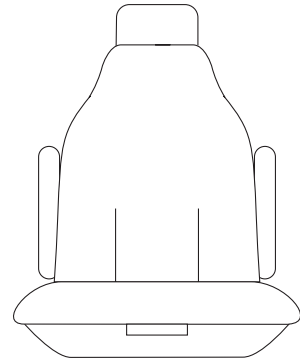


FRONT SEATS

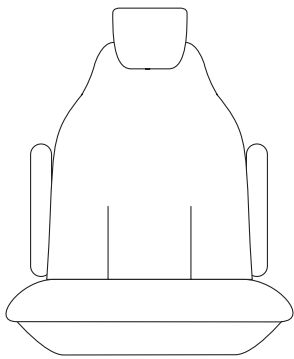
181



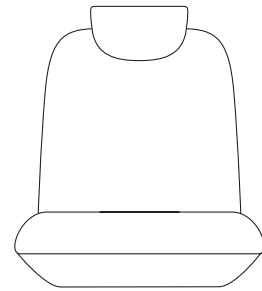
182



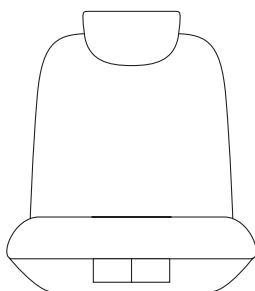
183



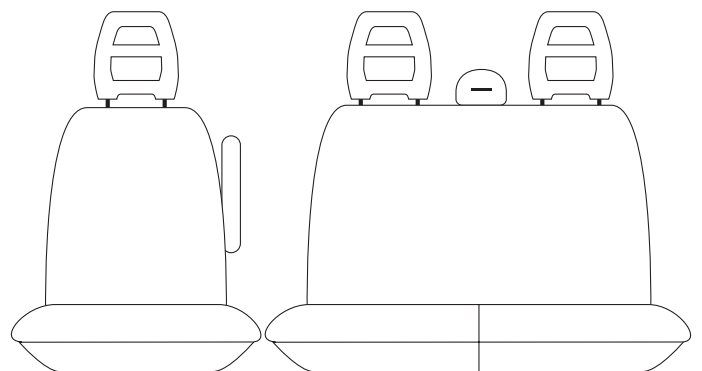
184



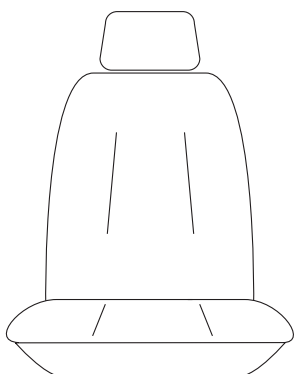
185



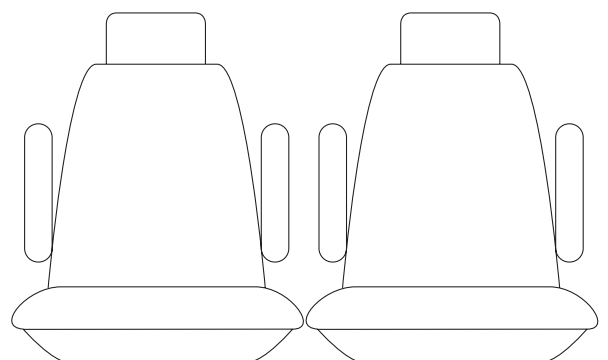
186



187

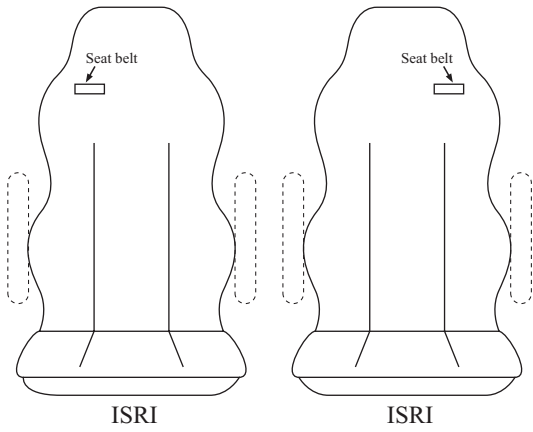


188

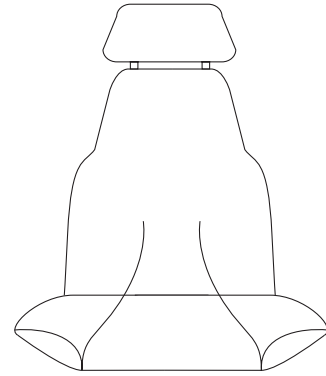


FRONT SEATS

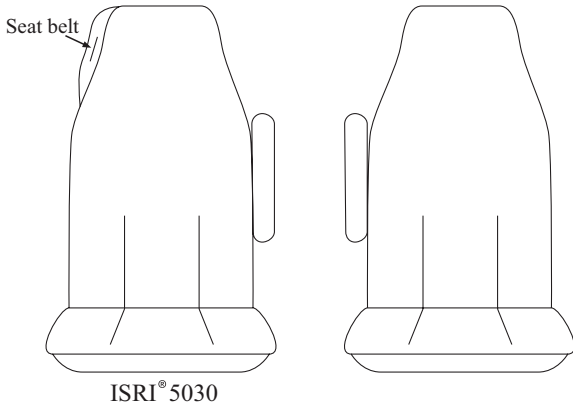
189



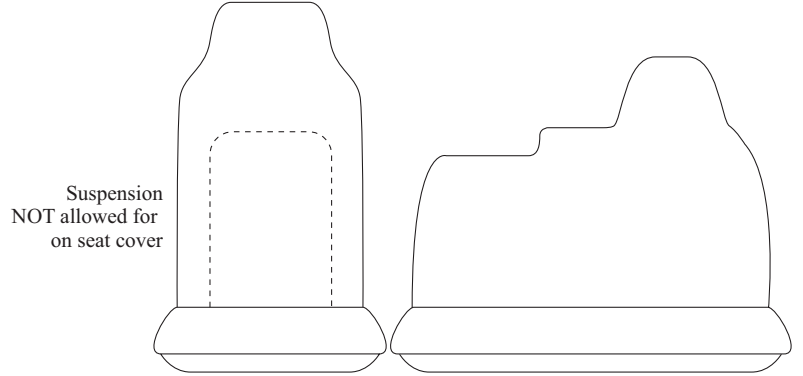
190



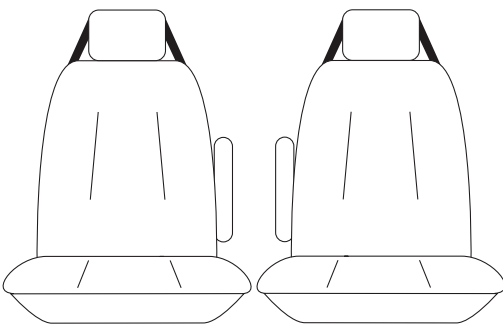
191



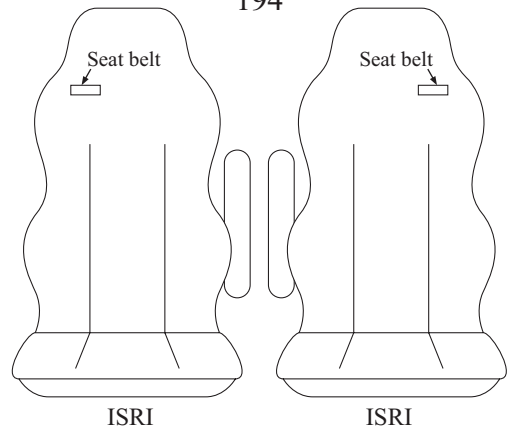
192



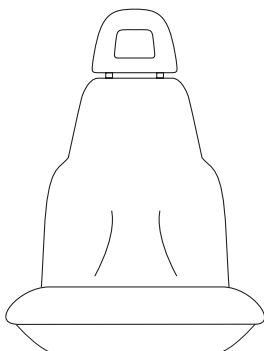
193



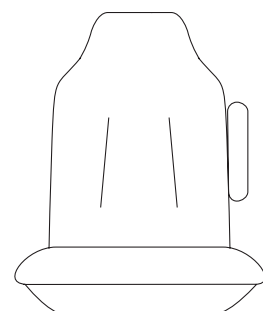
194



195

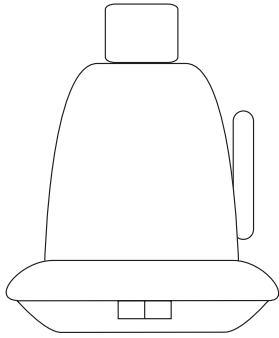


196

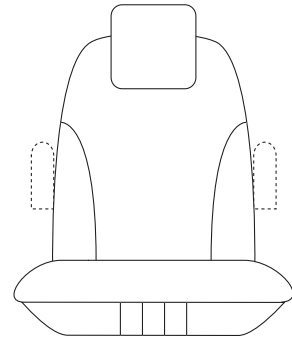


FRONT SEATS

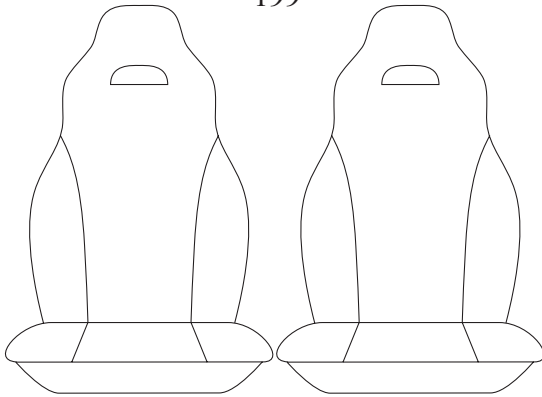
197



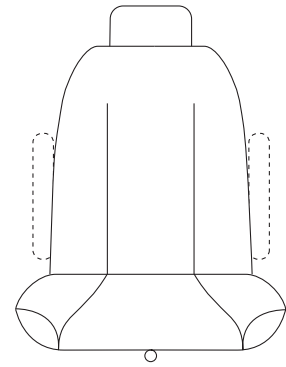
198



199

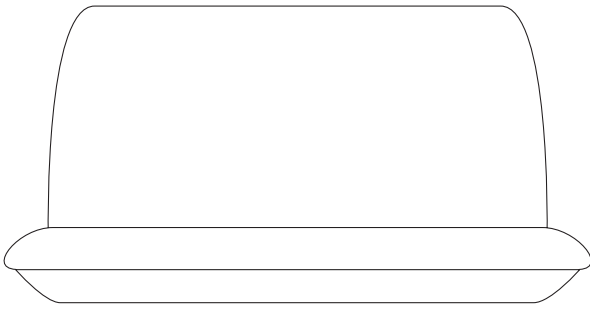


200

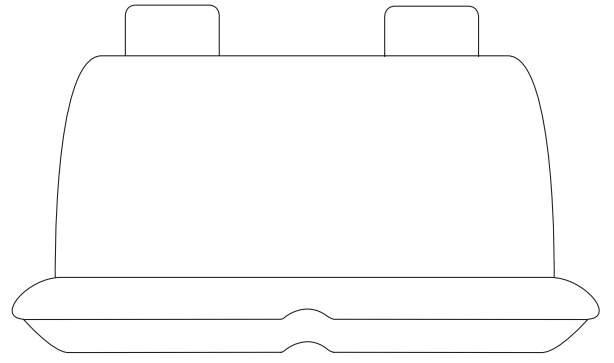


FRONT SEATS

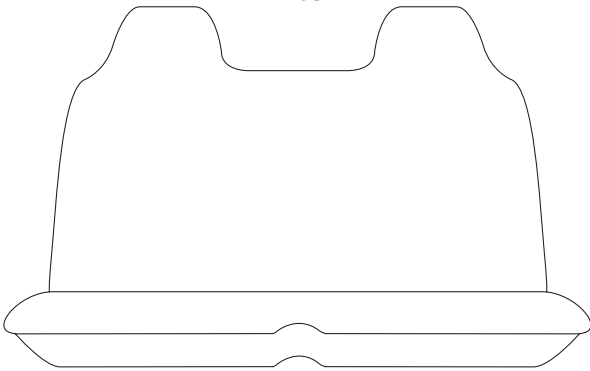
201



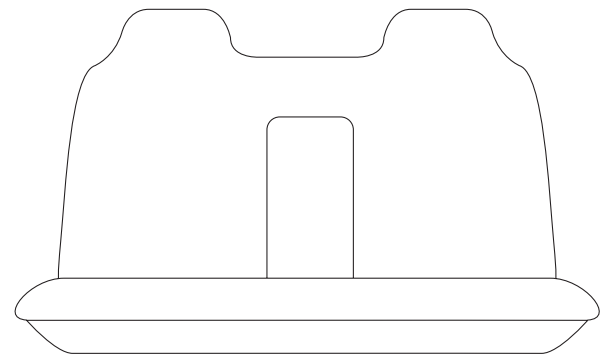
202



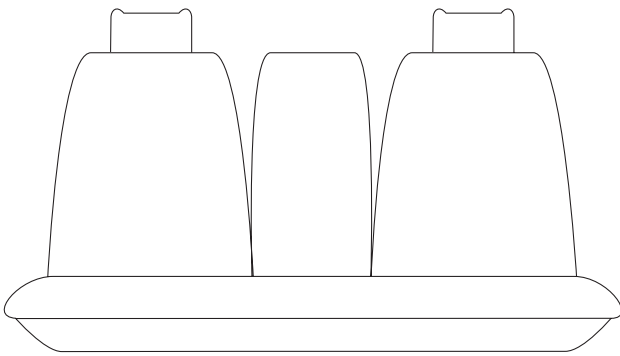
203



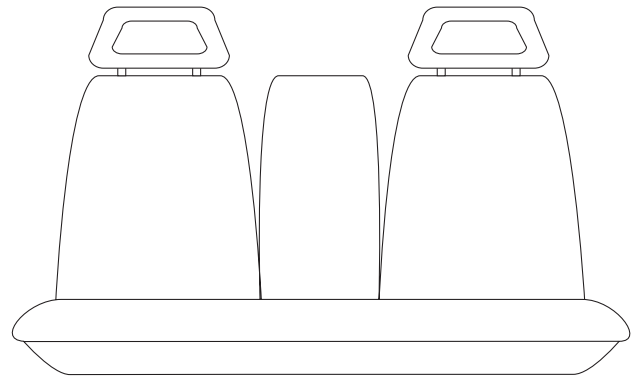
204



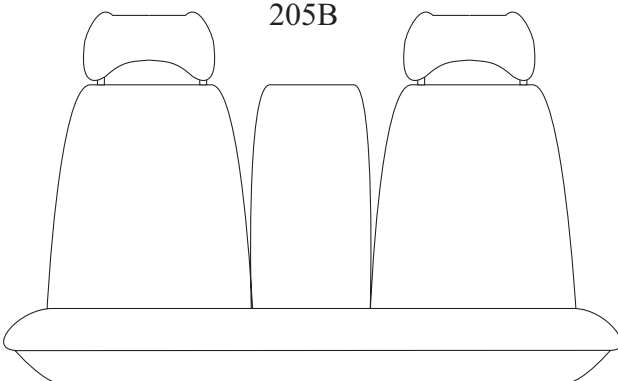
205



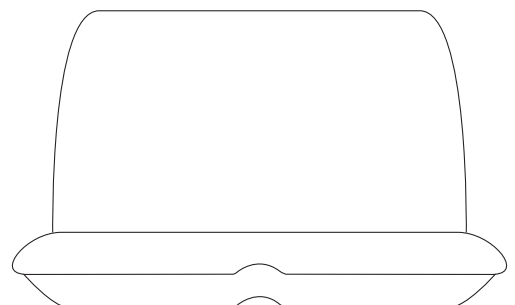
205A



205B

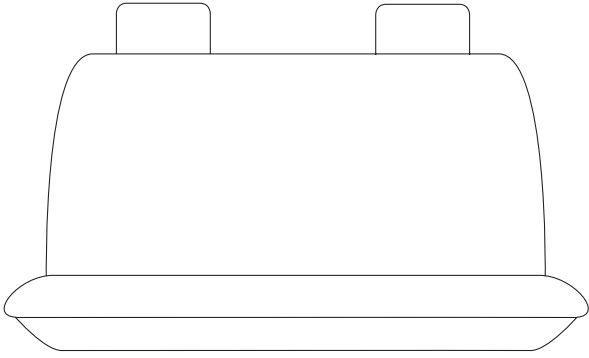


206

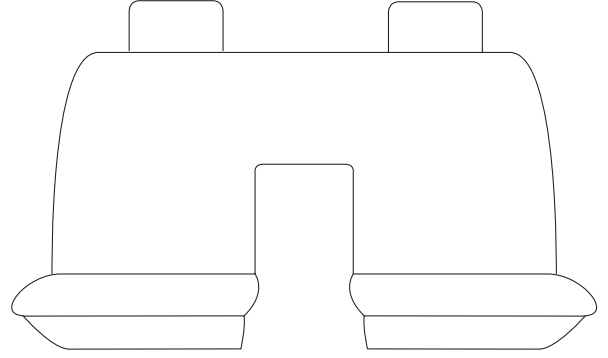


FRONT SEATS

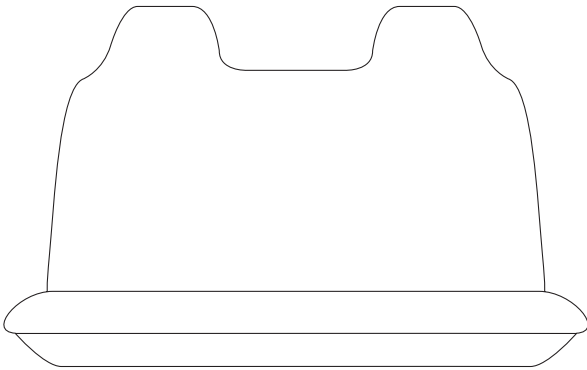
207



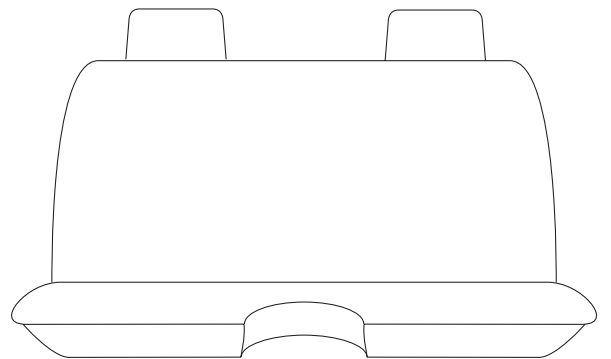
208



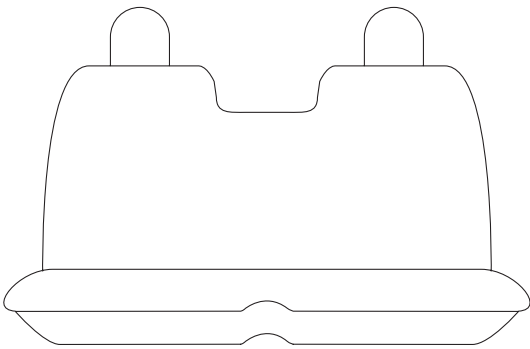
209



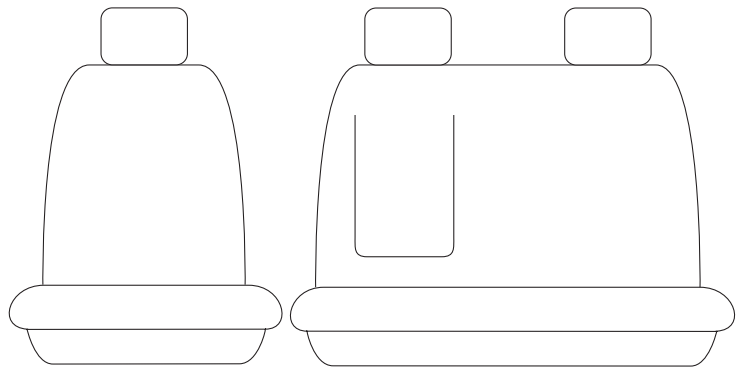
210



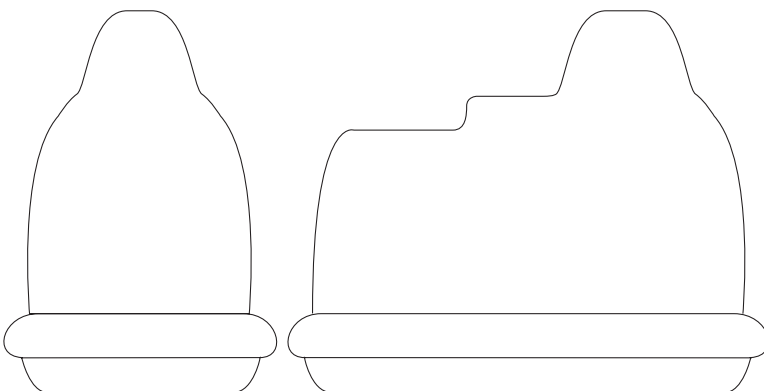
211



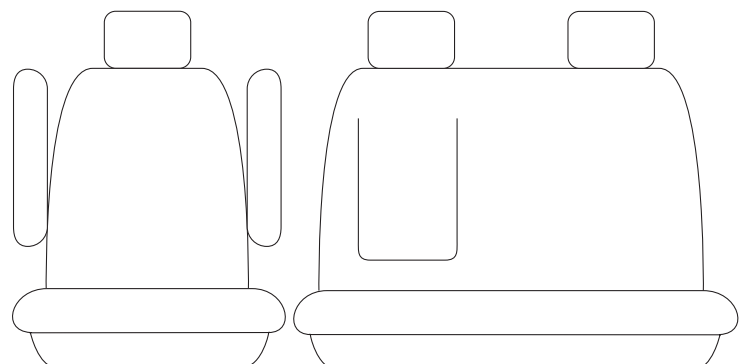
212



213

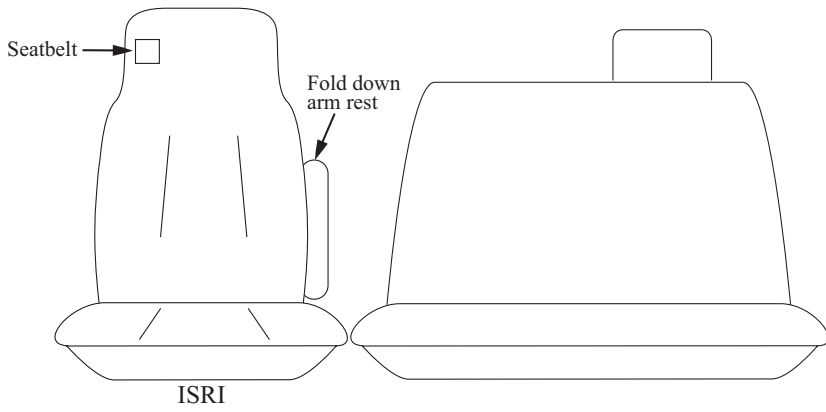


214

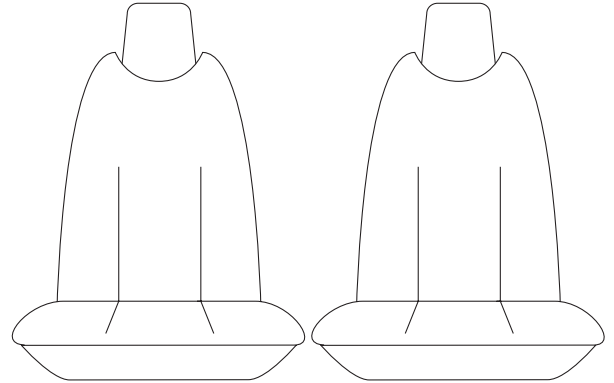


FRONT SEATS

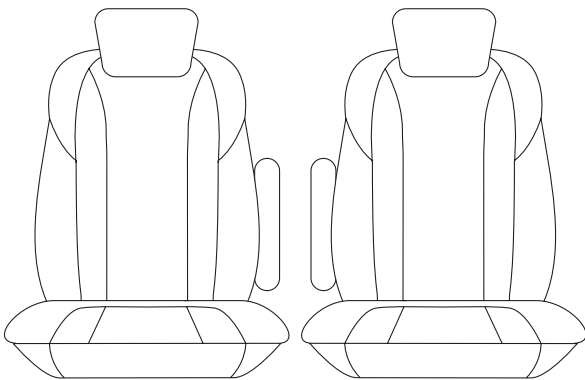
215



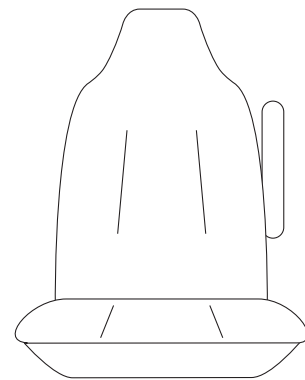
216



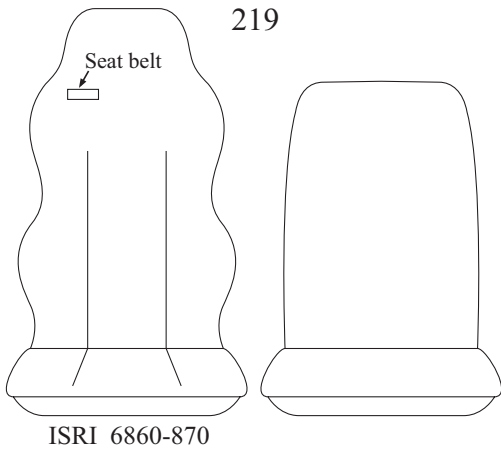
217



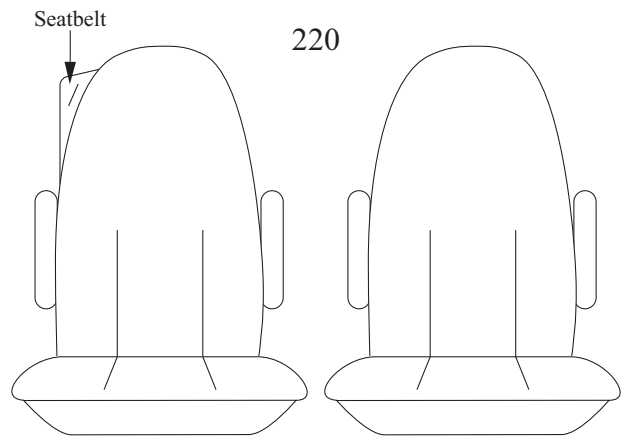
218



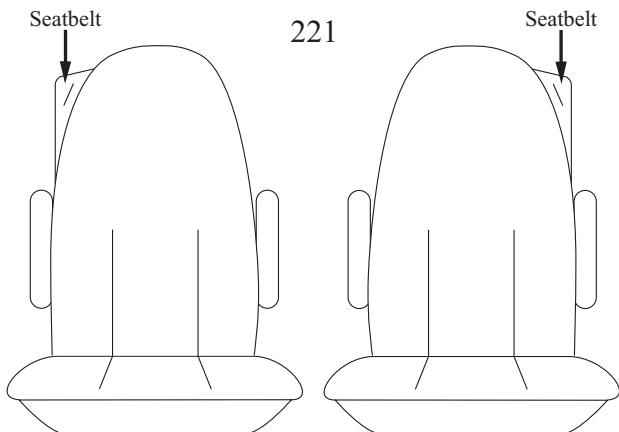
219



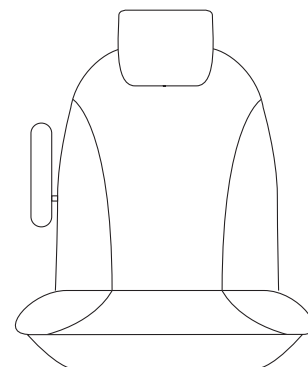
220



221

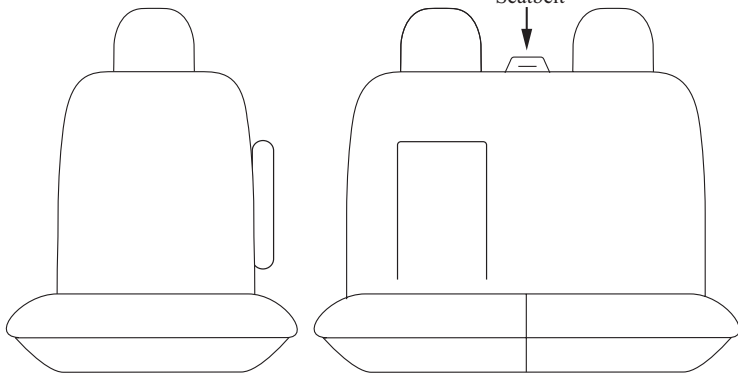


222

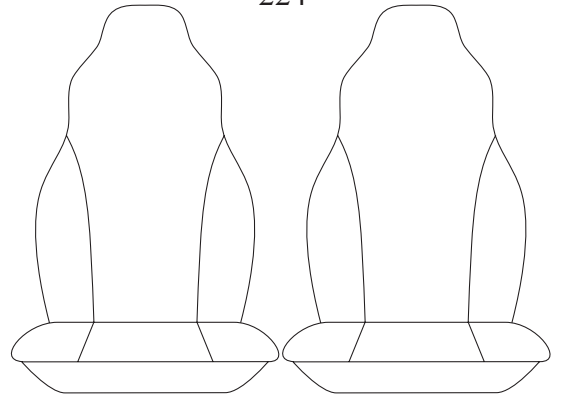


FRONT SEATS

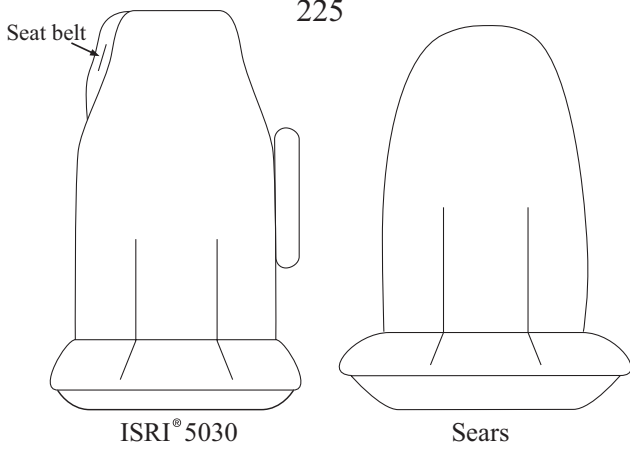
223



224



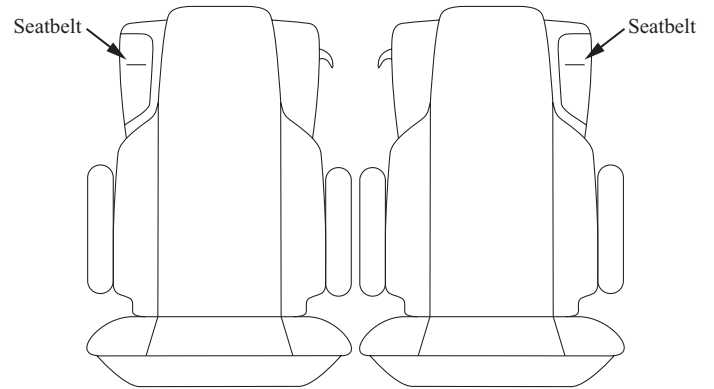
225



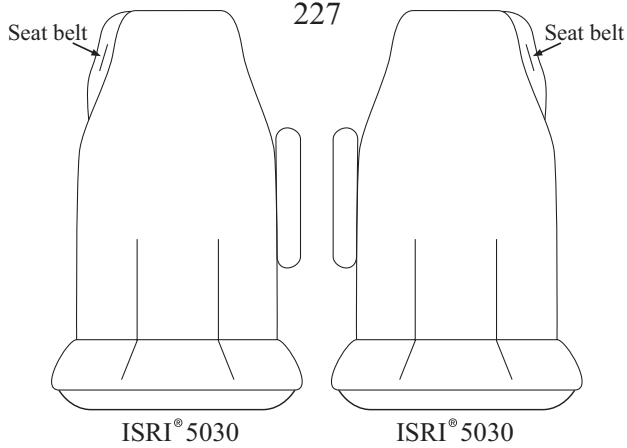
ISRI® 5030

Sears

226



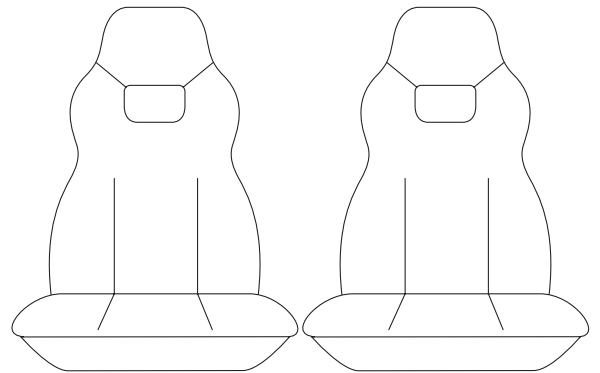
227



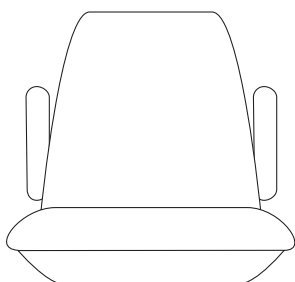
ISRI® 5030

ISRI® 5030

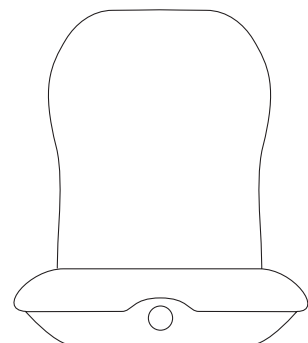
228



229

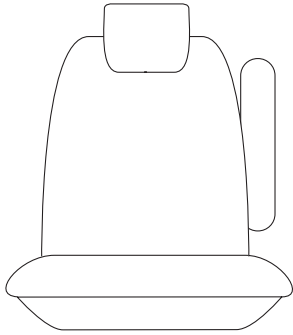


230

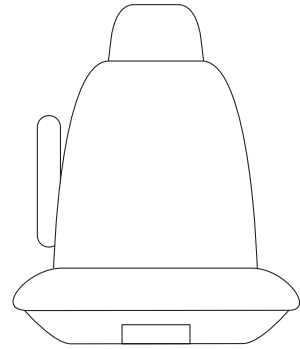


FRONT SEATS

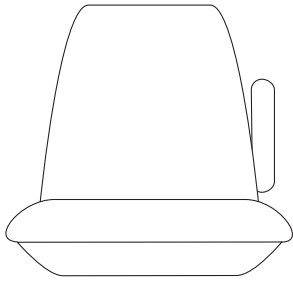
231



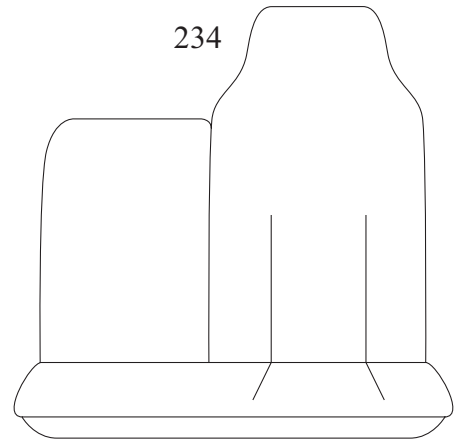
232



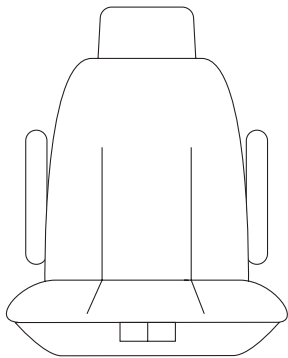
233



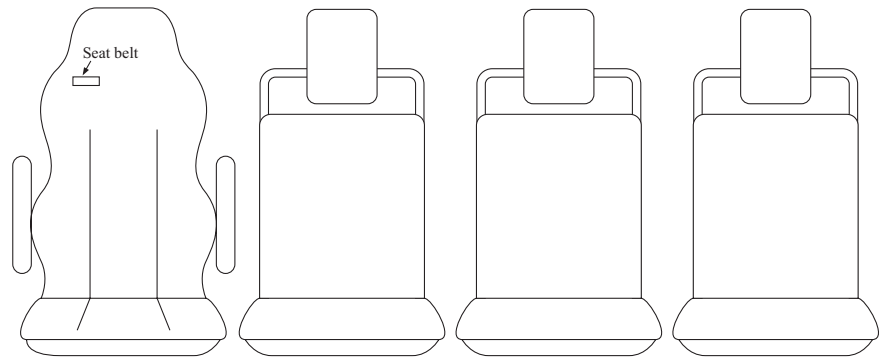
234



235

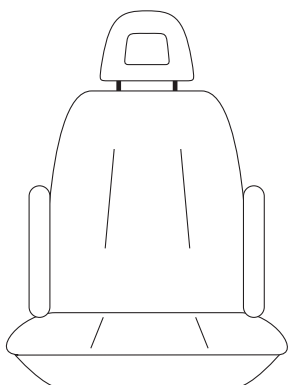


236

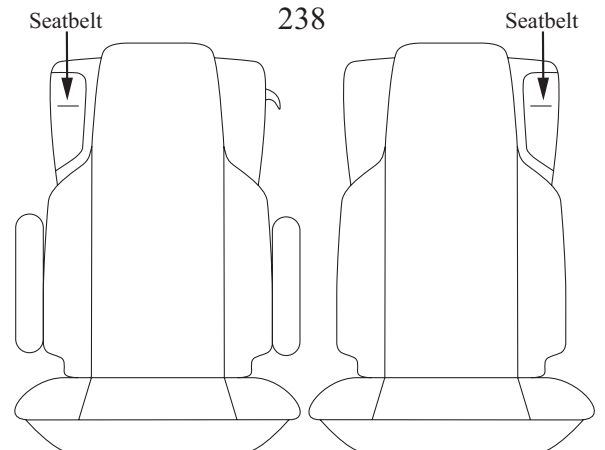


ISRI

237

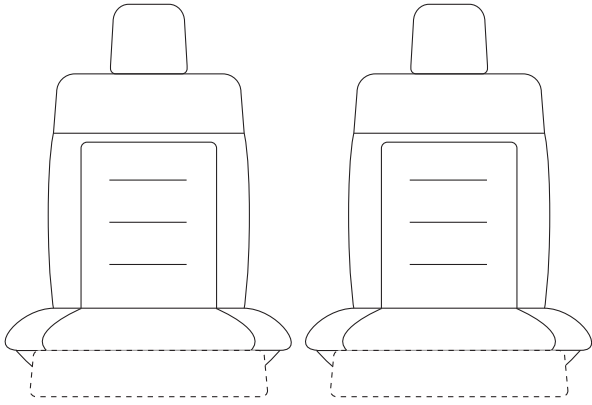


238



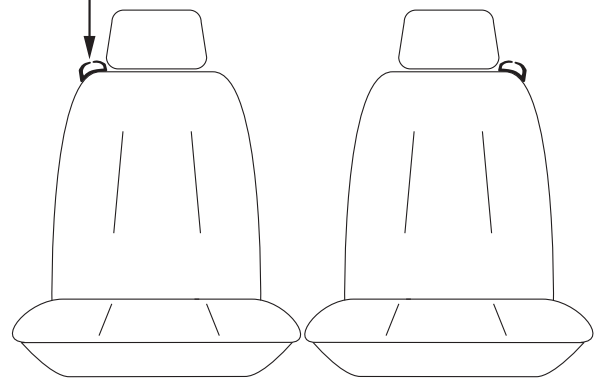
FRONT SEATS

239

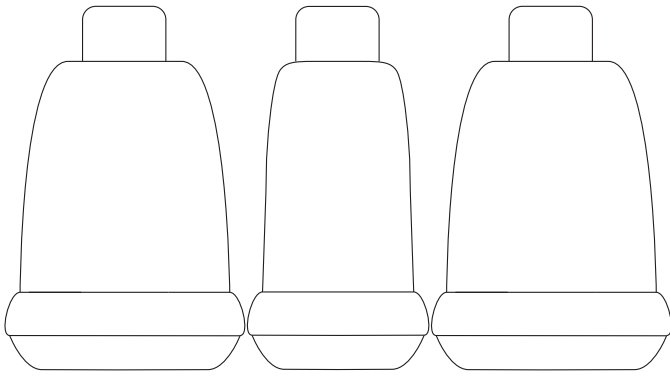


Seat belt guides

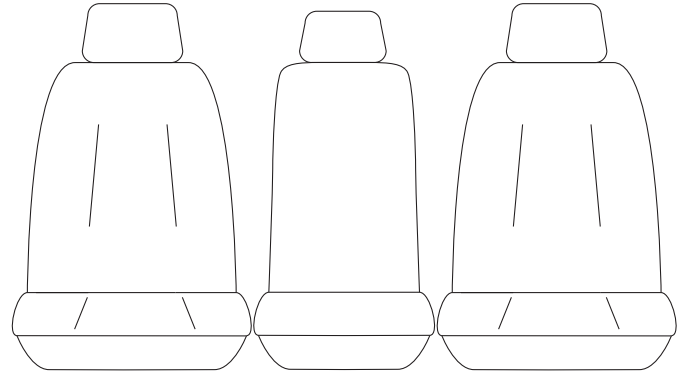
240



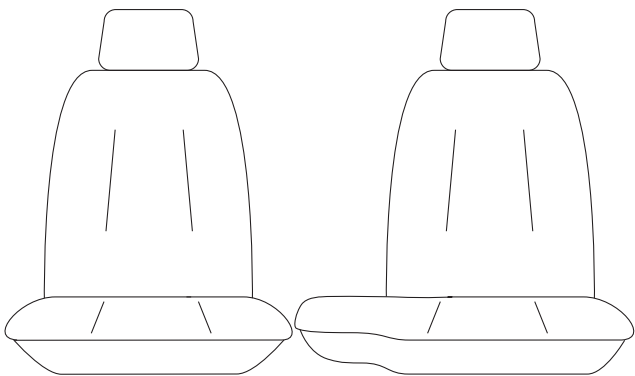
241



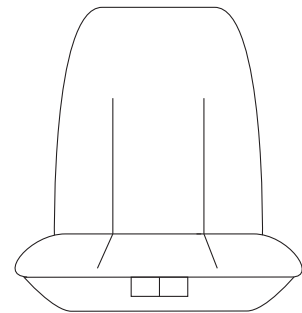
242



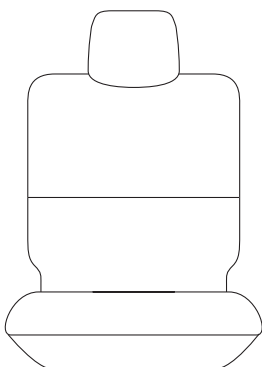
243



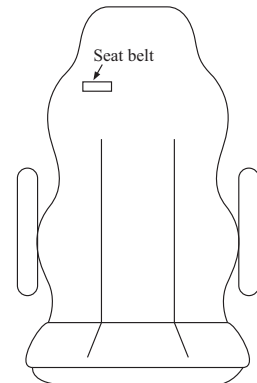
244



245



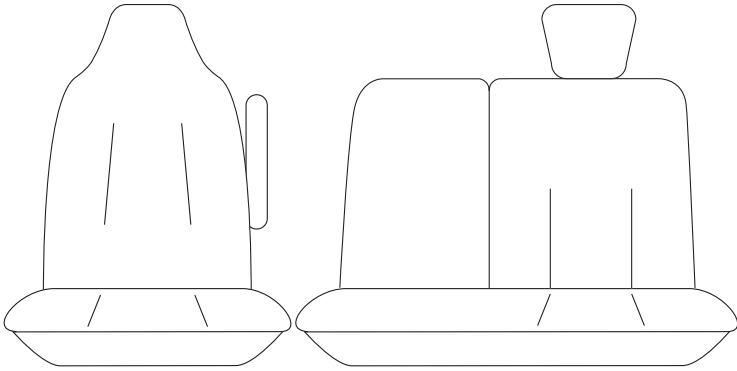
246



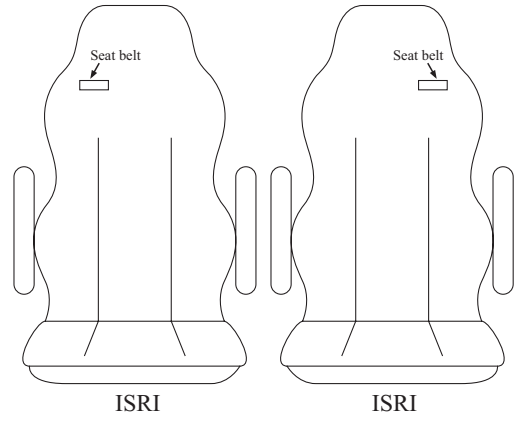
ISRI

FRONT SEATS

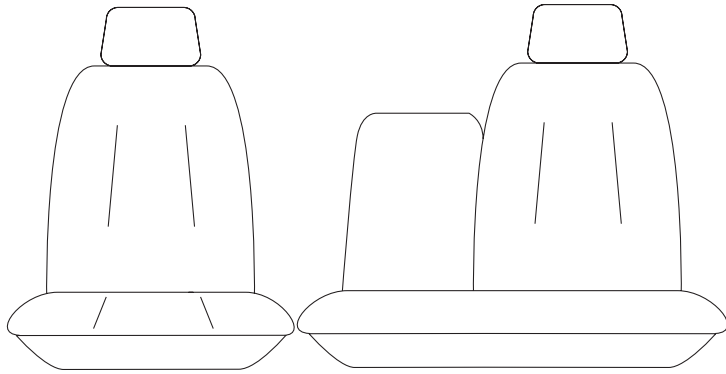
247



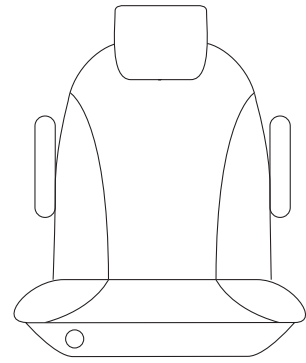
248



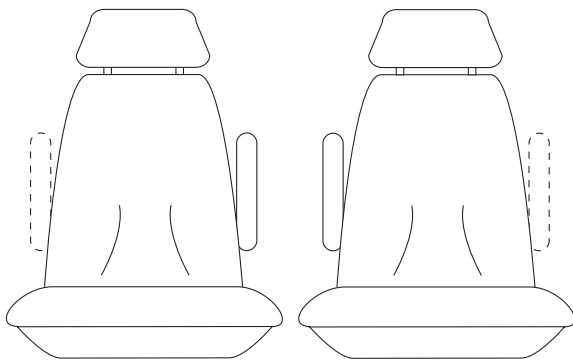
249



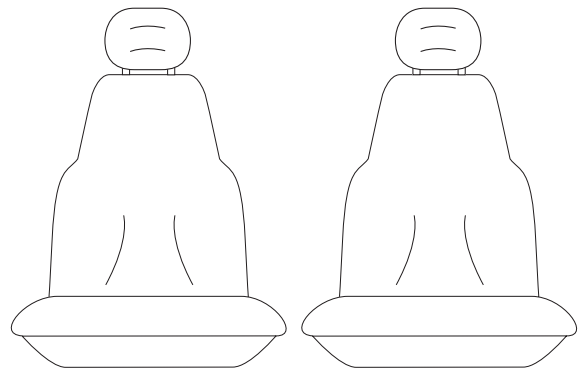
250



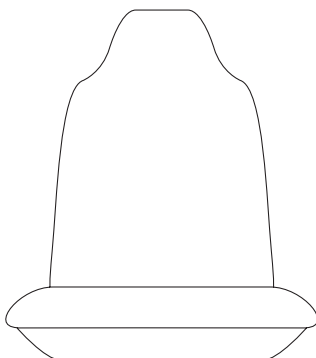
251



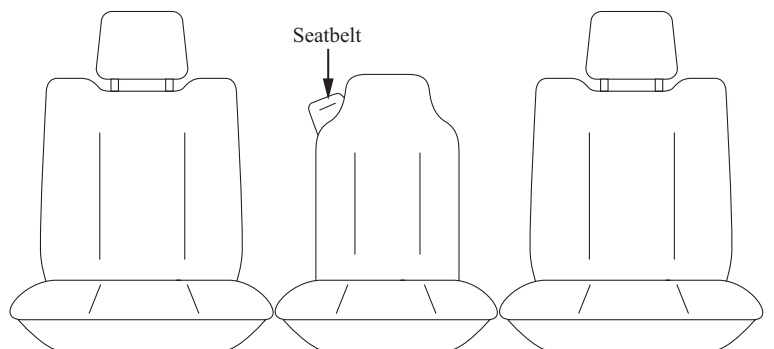
252



253

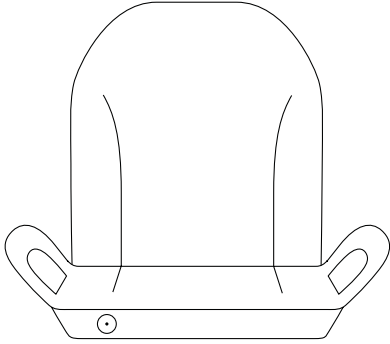


254

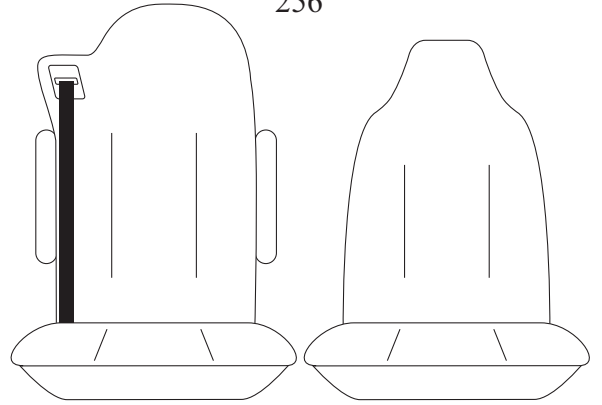


FRONT SEATS

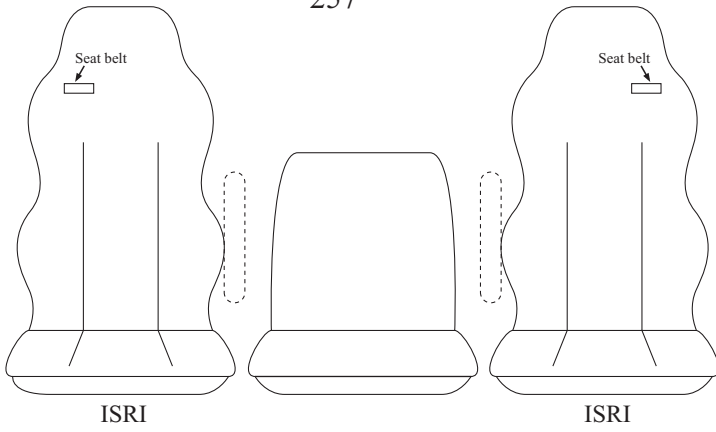
255



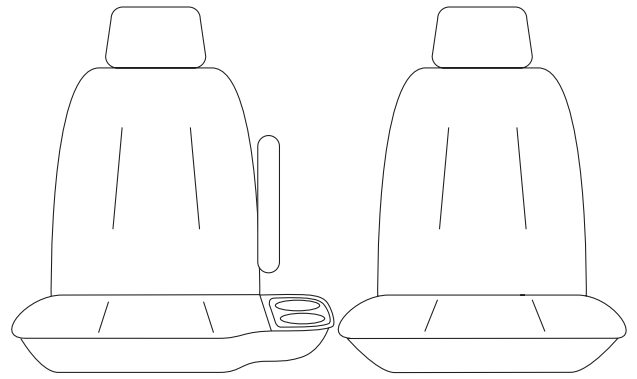
256



257

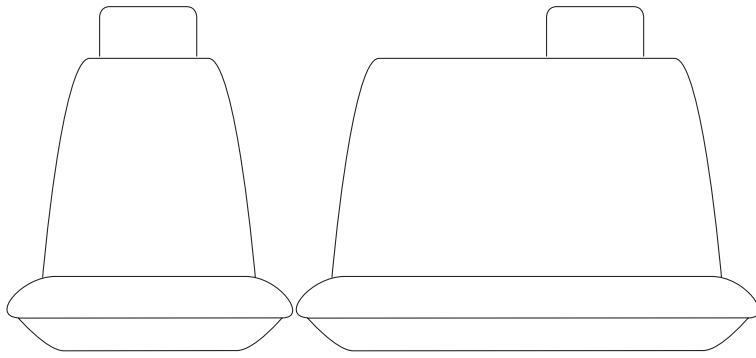


258

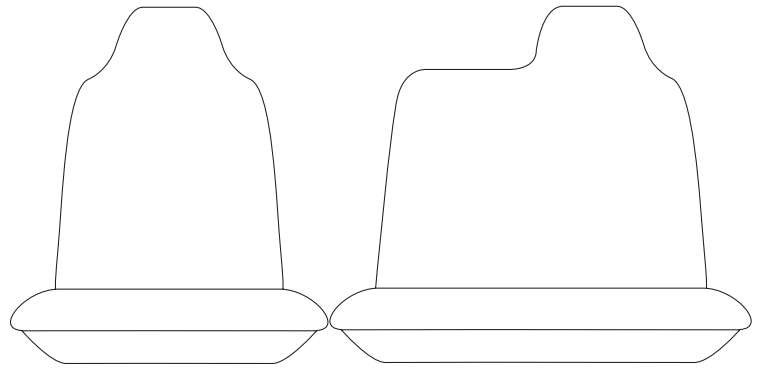


FRONT SEATS

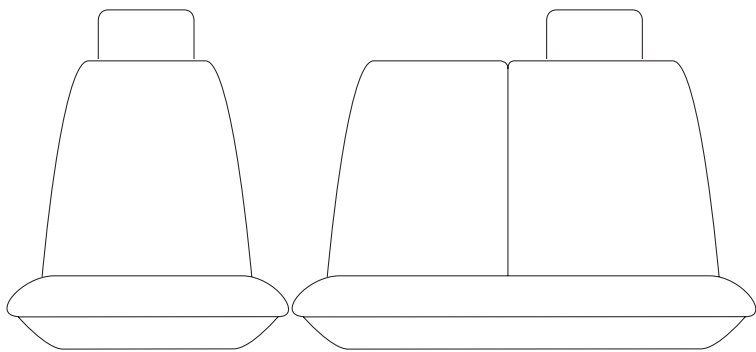
301



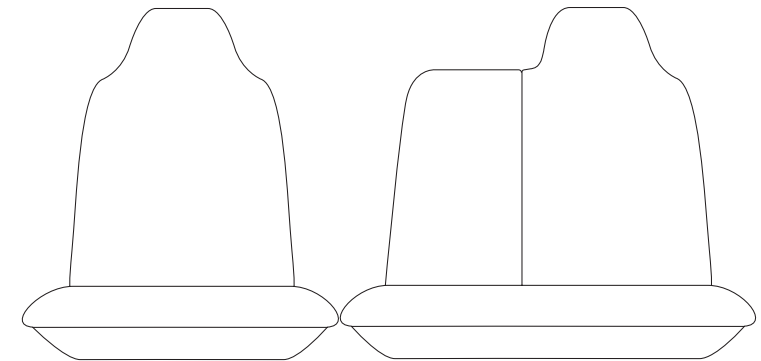
302



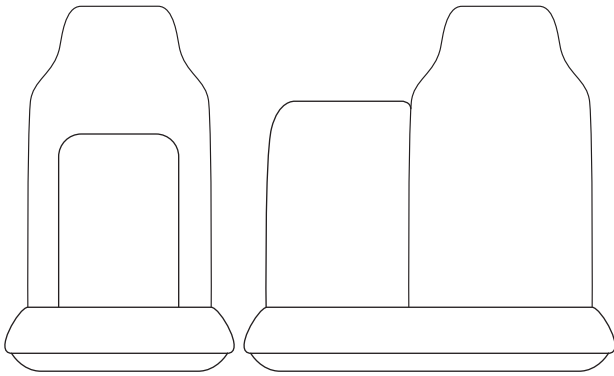
303



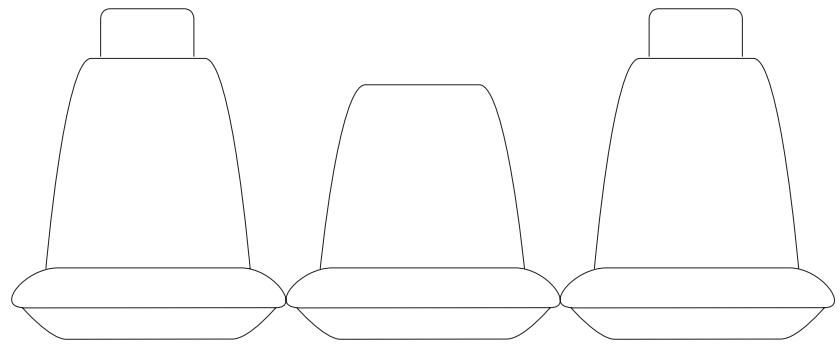
304



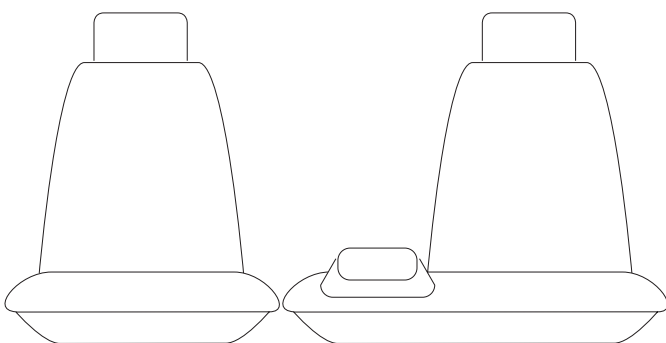
304S



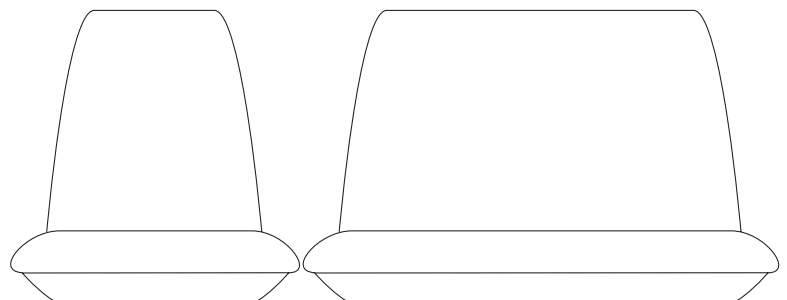
305



306

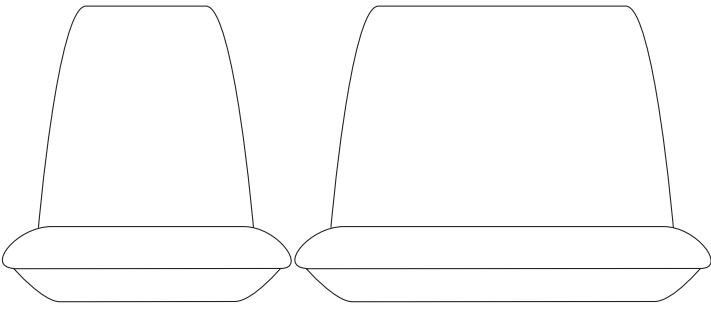


307

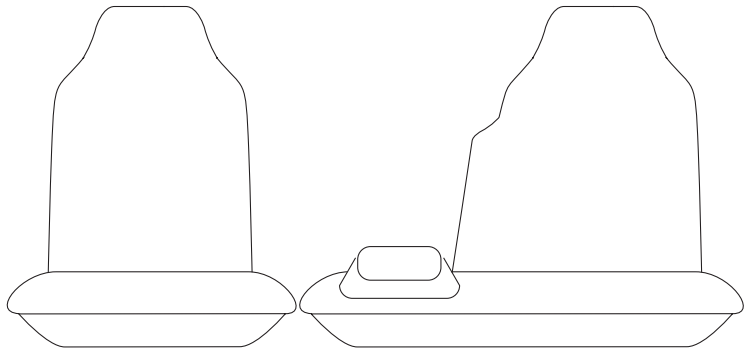


FRONT SEATS

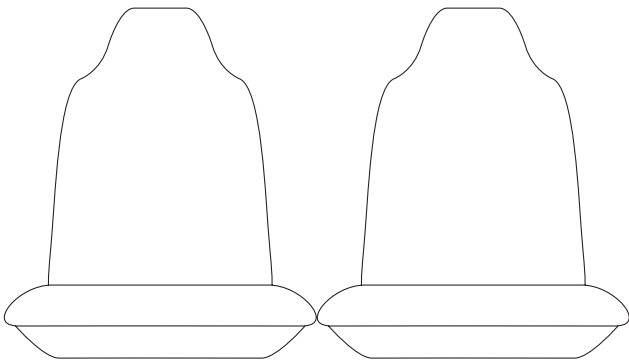
308



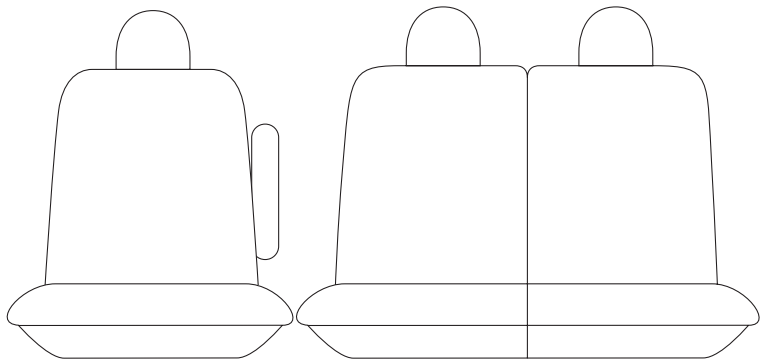
309



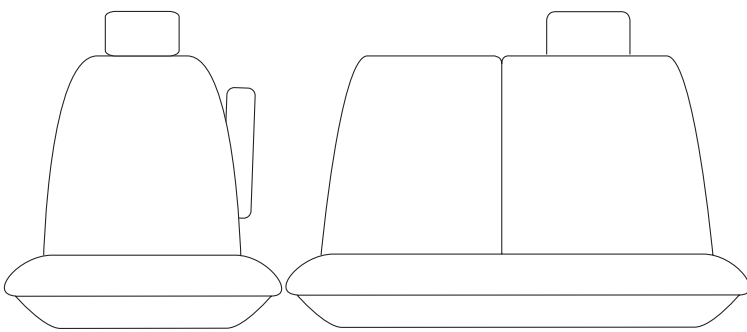
310



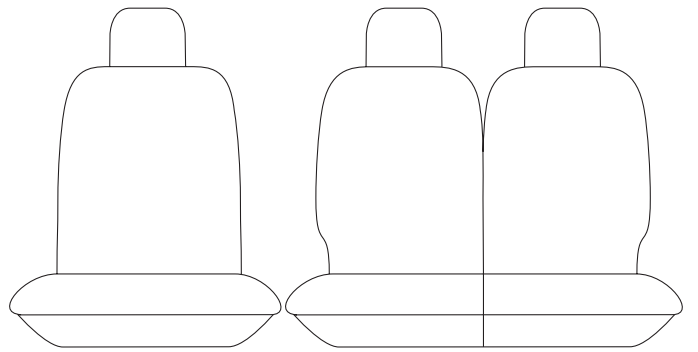
311



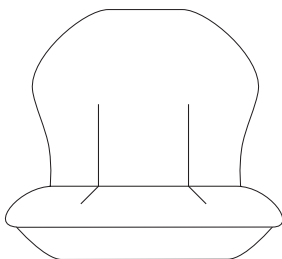
312



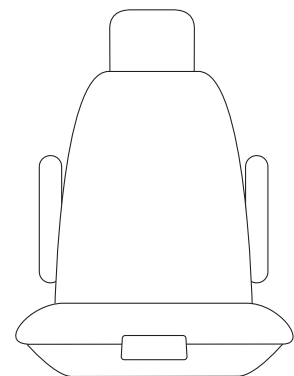
313



314

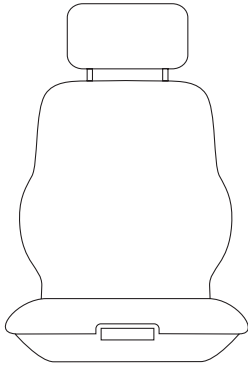


315

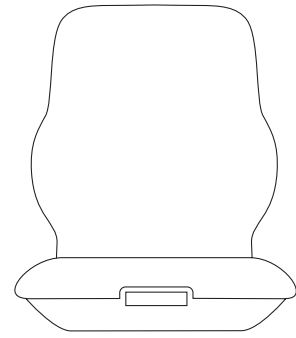


FRONT SEATS

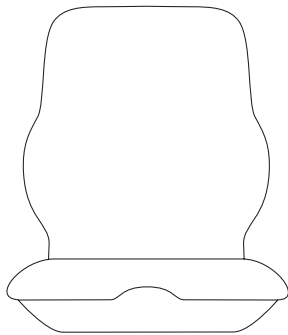
316



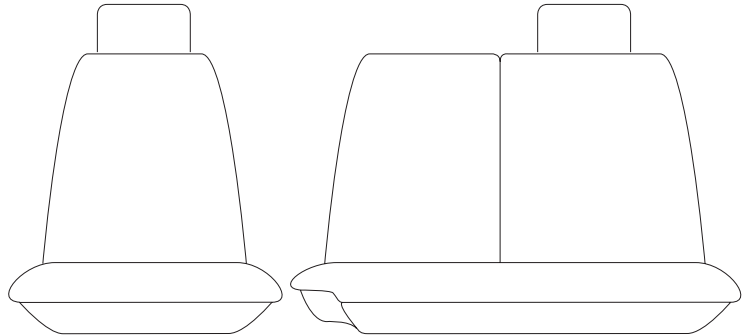
317



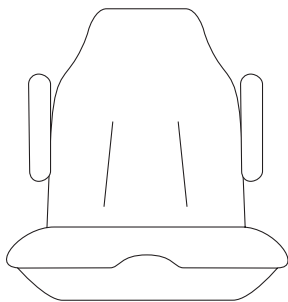
318



319

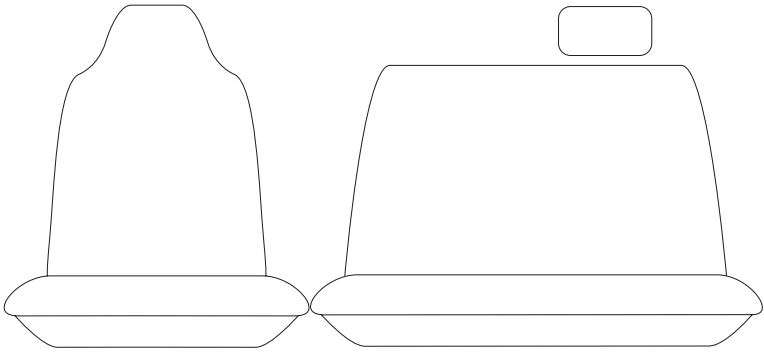


320

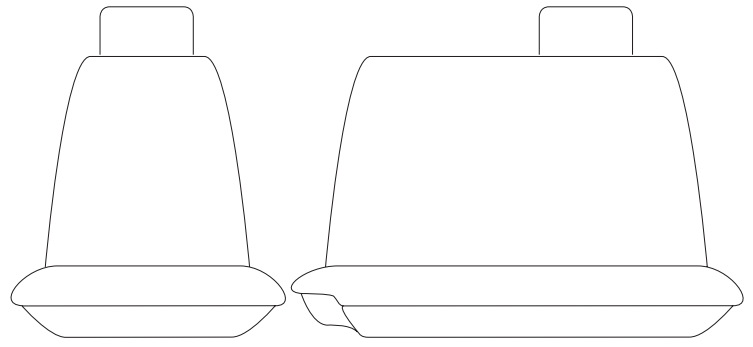


FRONT SEATS

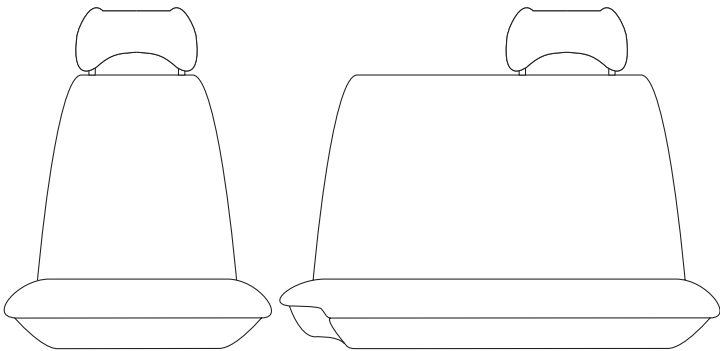
400



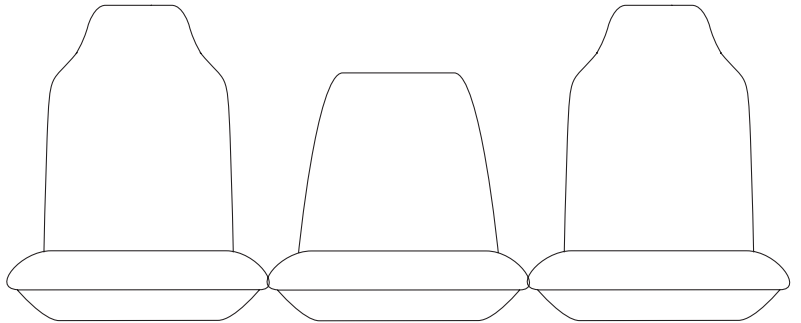
401



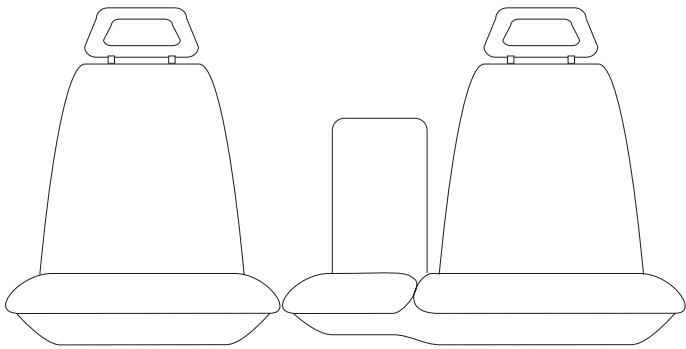
401B



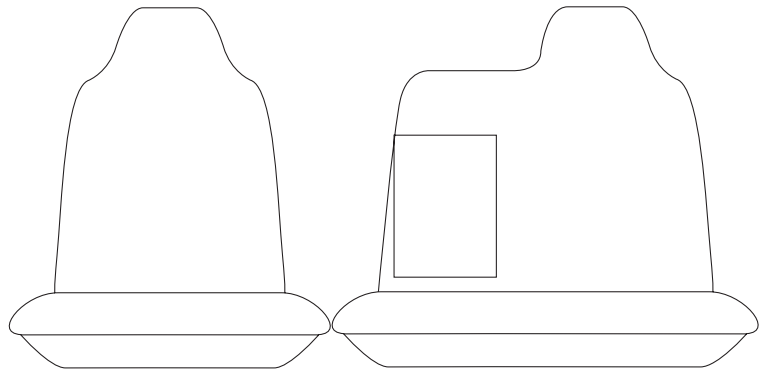
402



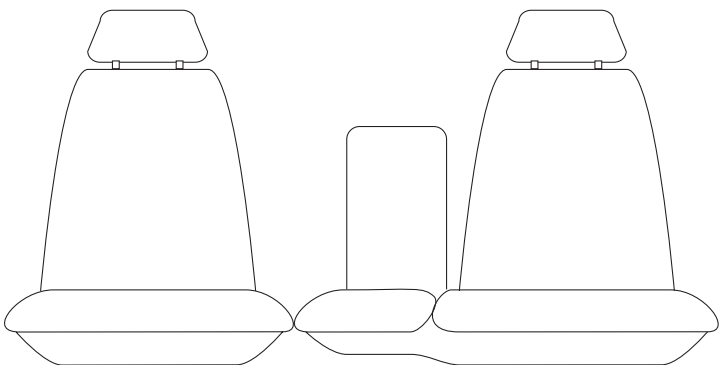
403



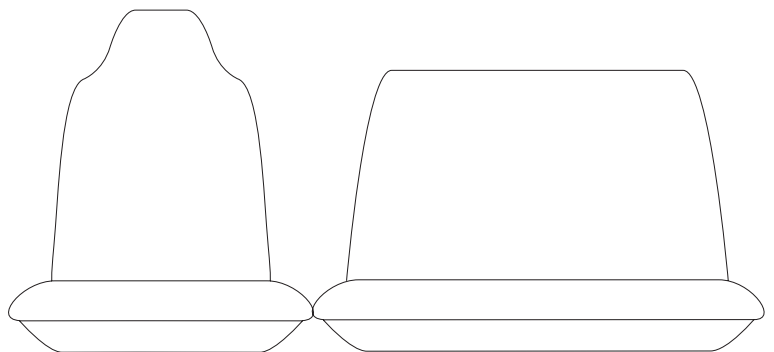
404



405

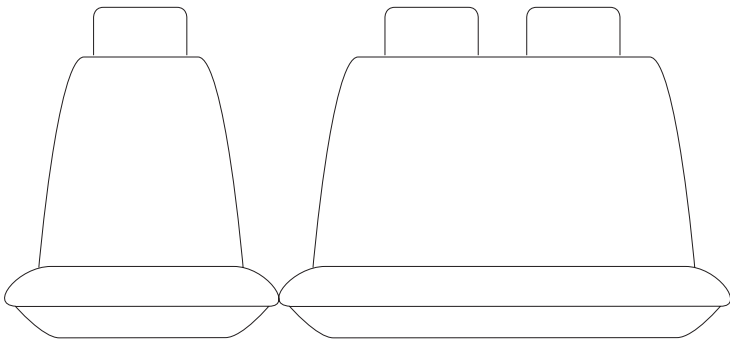


406

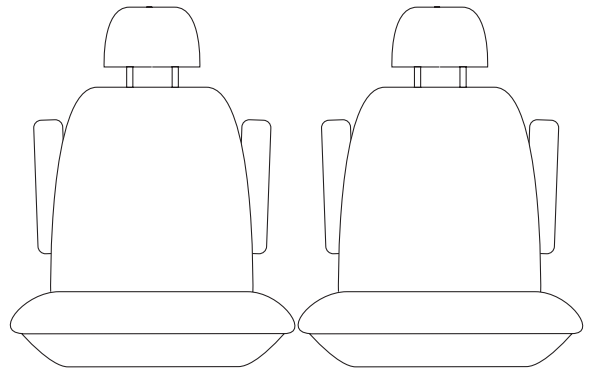


FRONT SEATS

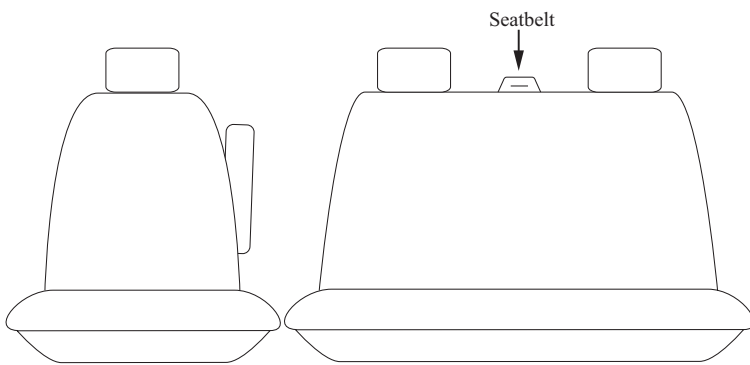
407



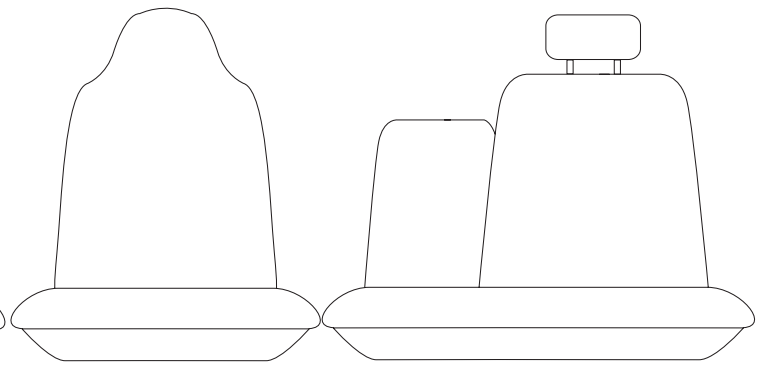
408



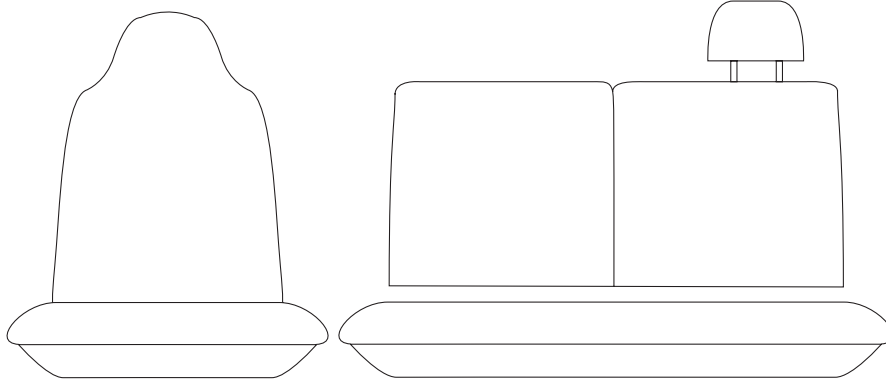
409



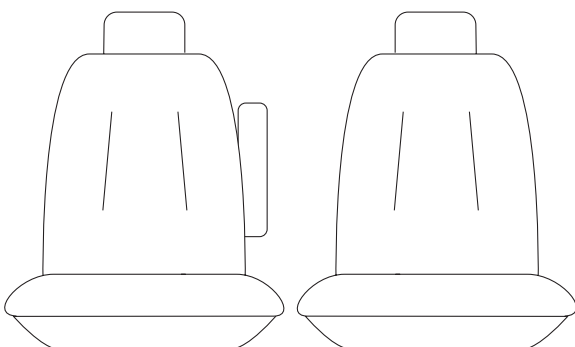
410



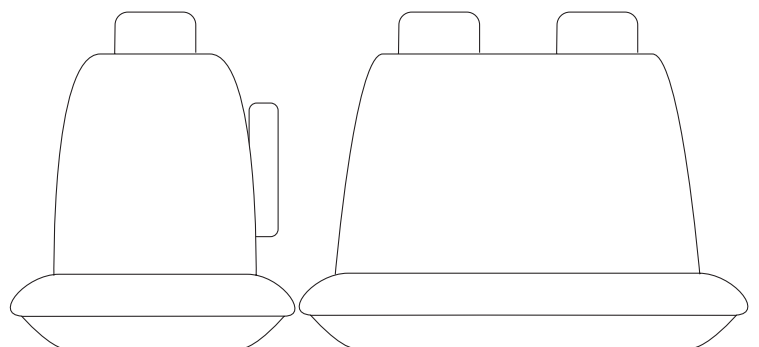
411



412

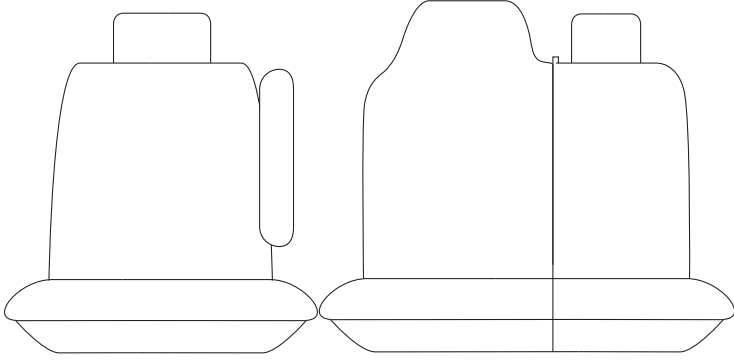


413

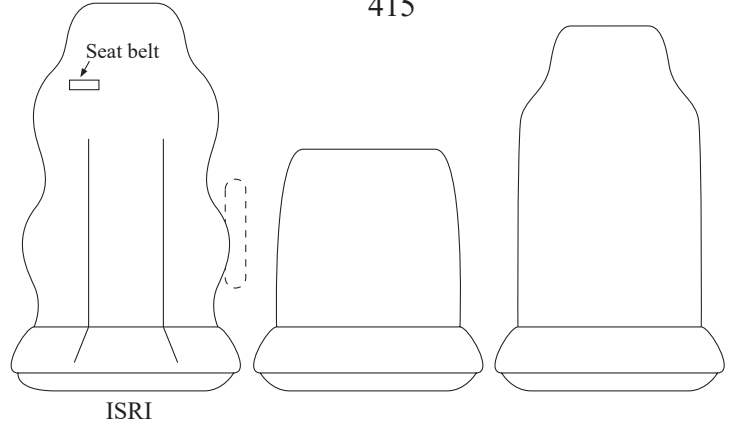


FRONT SEATS

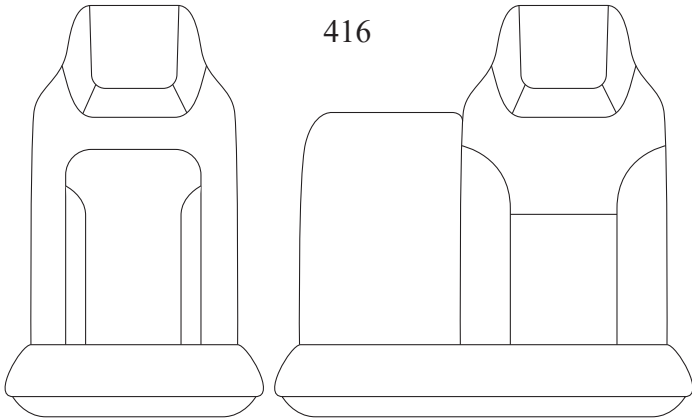
414



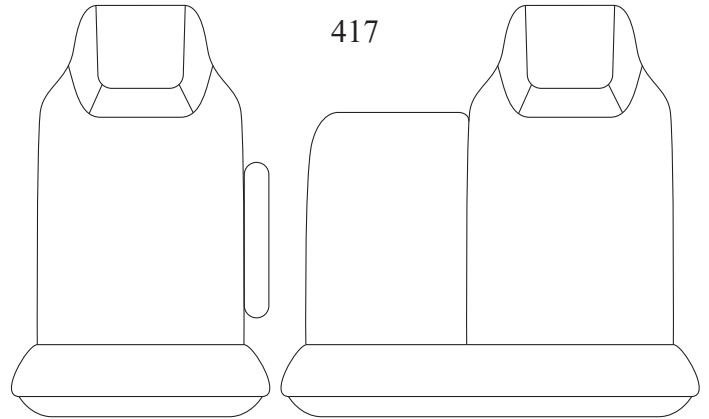
415



416

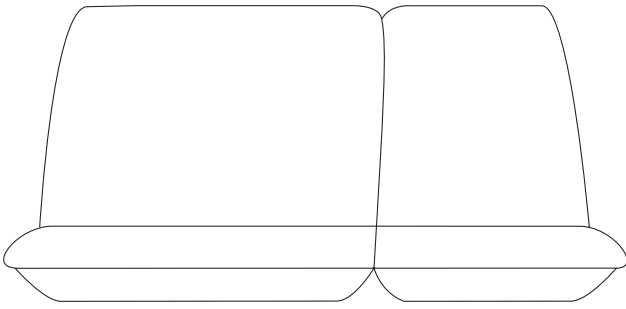


417

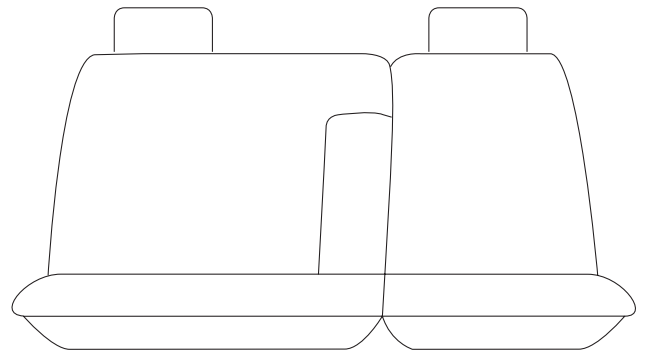


MIDDLE AND REAR SEATS

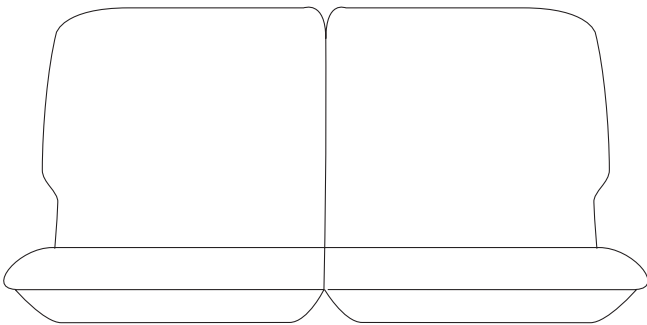
501



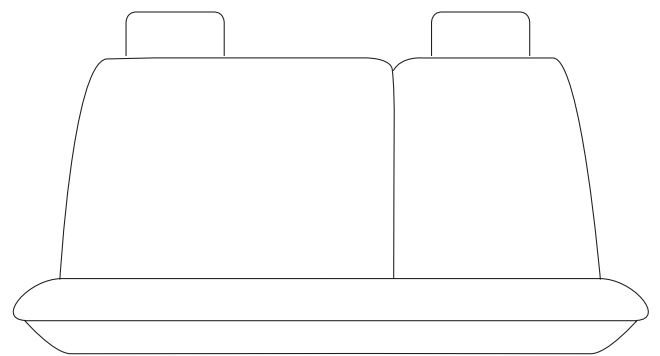
502



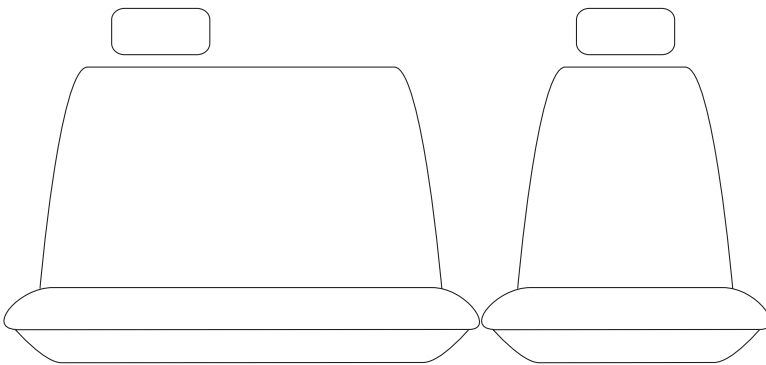
503



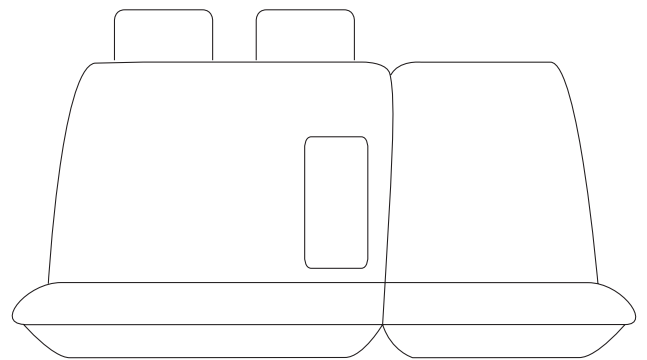
504



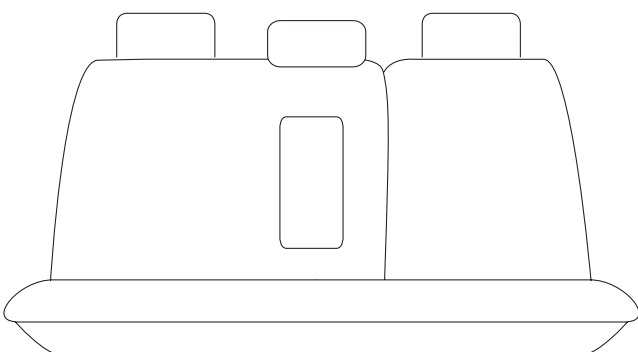
505



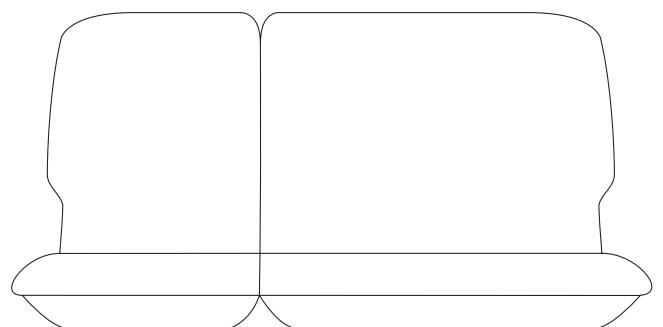
506



507

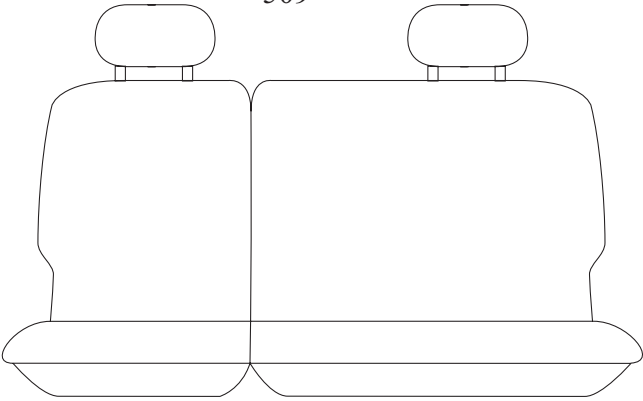


508

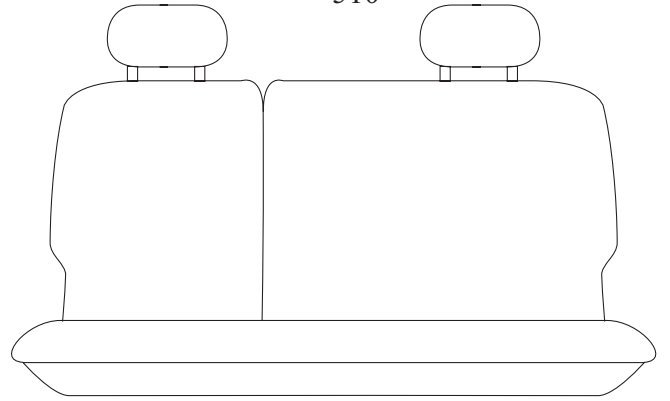


MIDDLE AND REAR SEATS

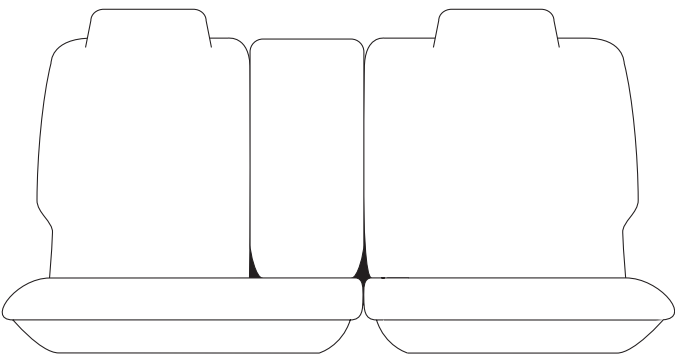
509



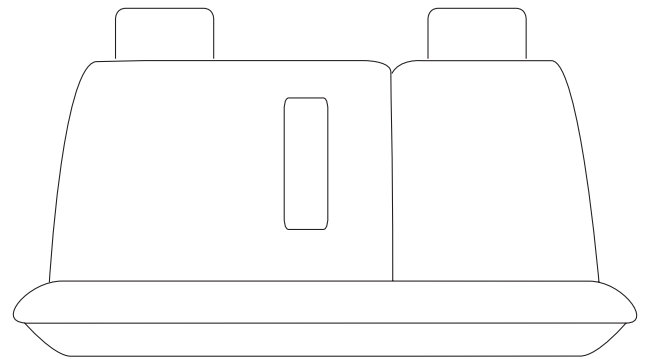
510



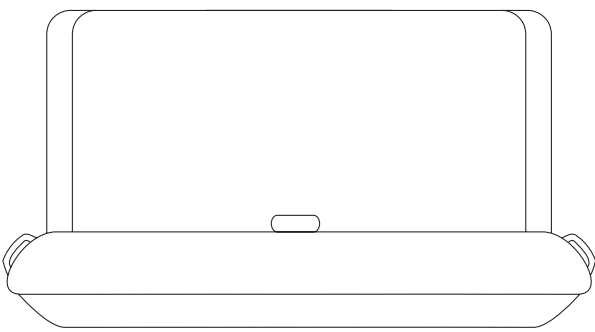
511



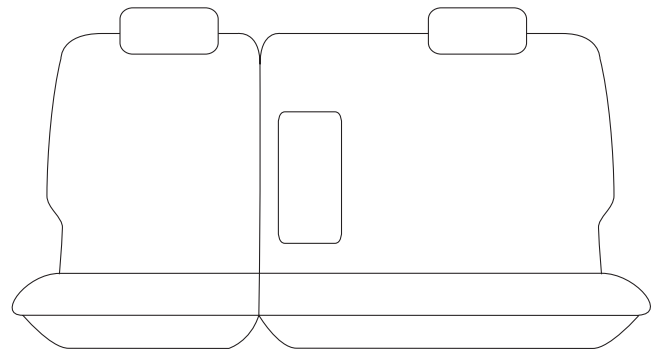
512



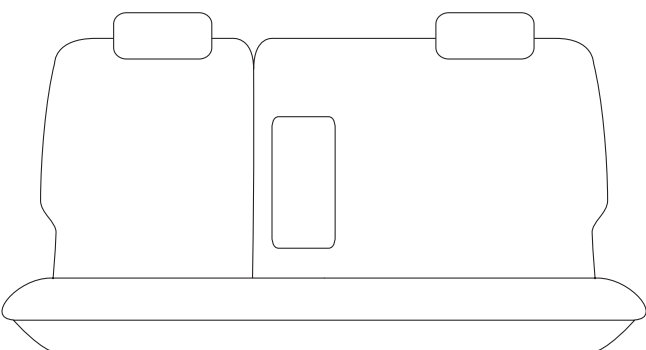
513



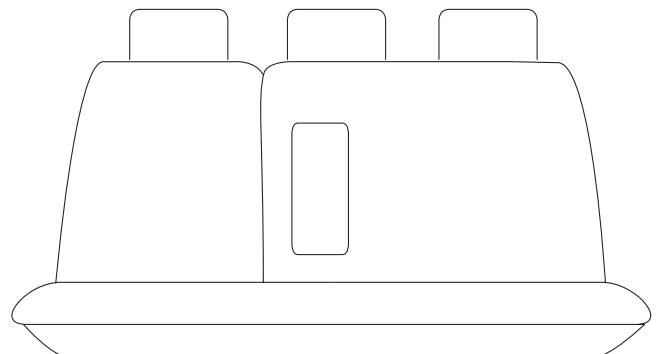
514



515

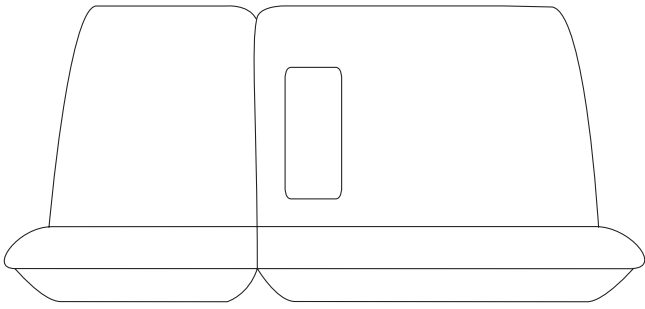


516

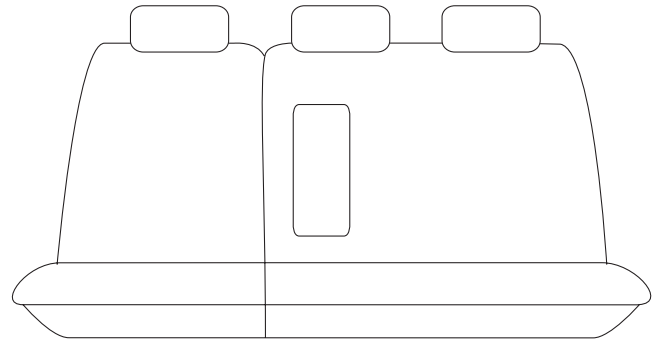


MIDDLE AND REAR SEATS

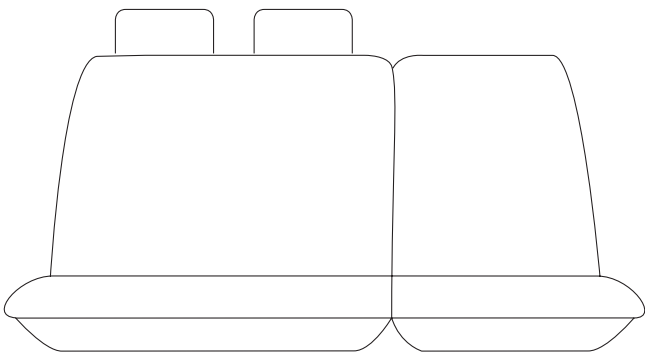
517



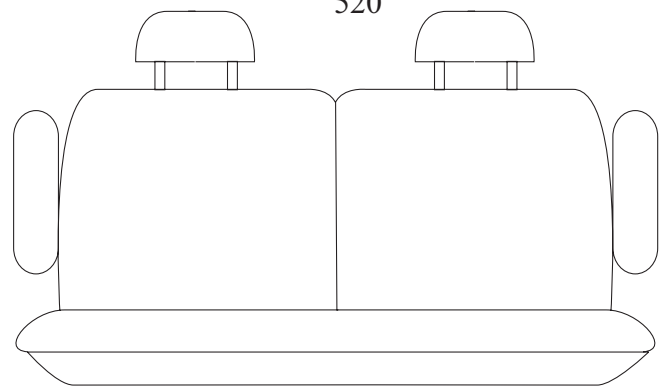
518



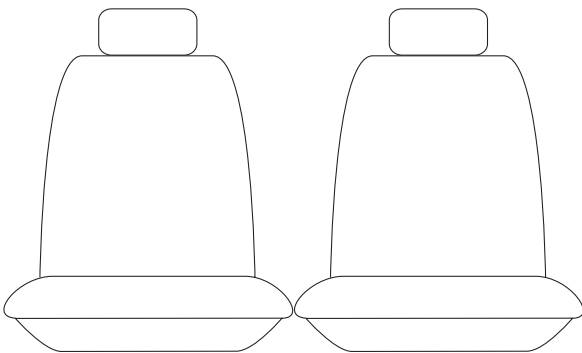
519



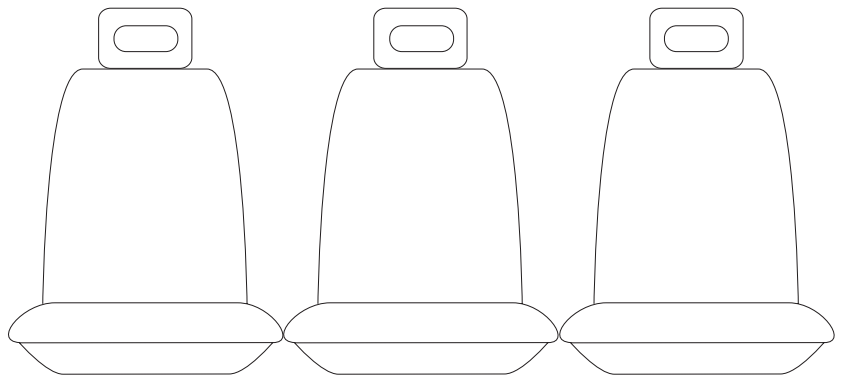
520



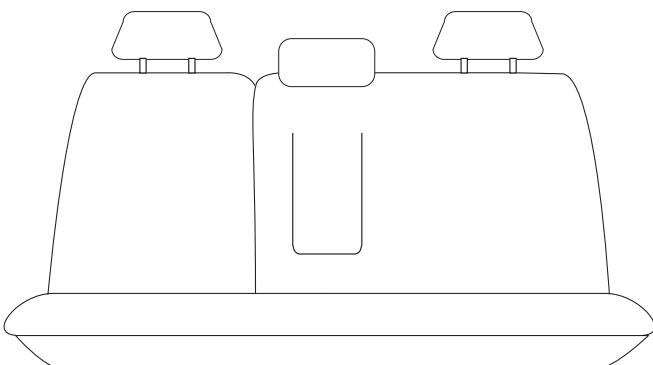
521



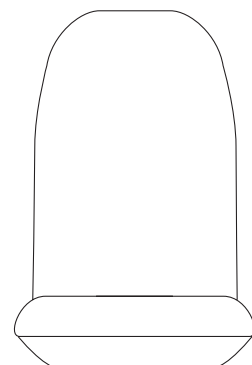
522



523

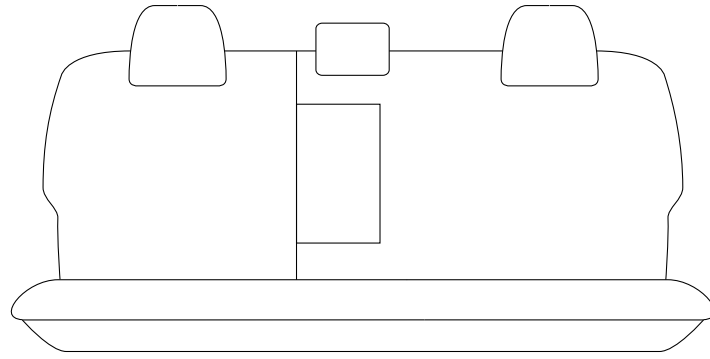


524

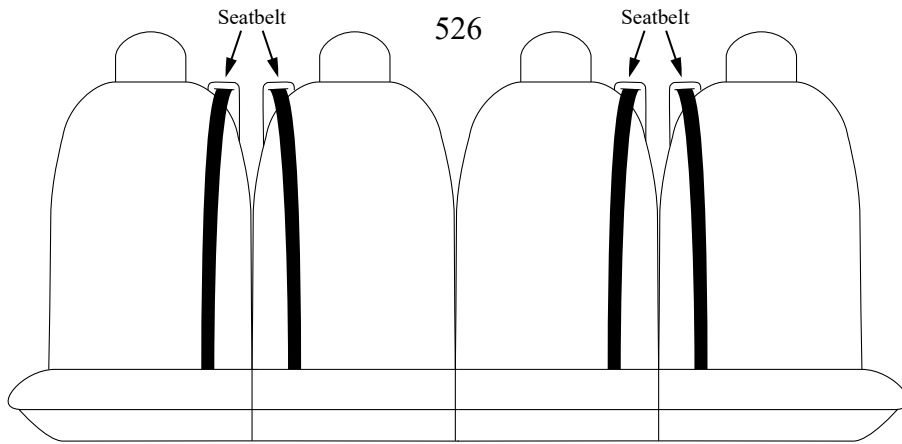


MIDDLE AND REAR SEATS

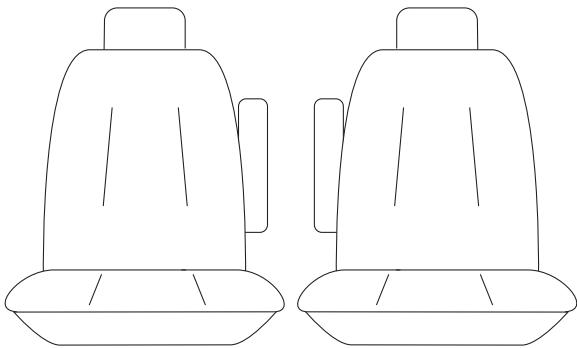
525



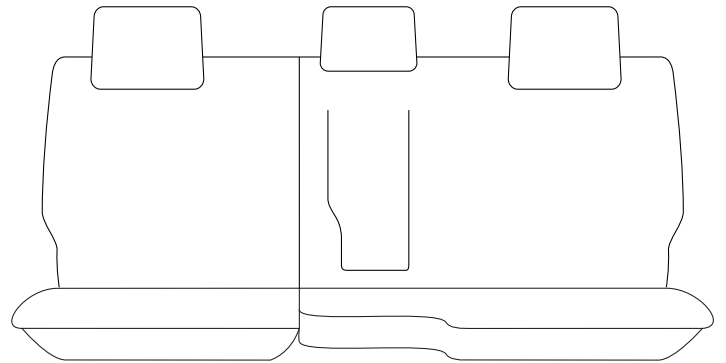
526



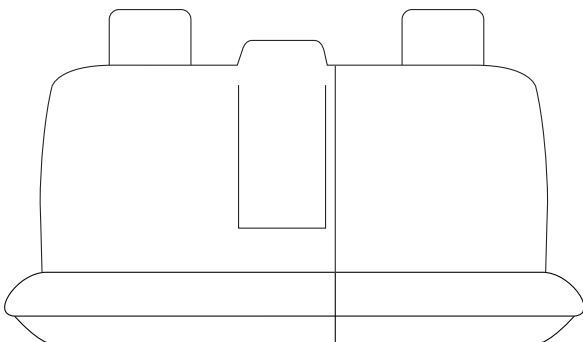
527



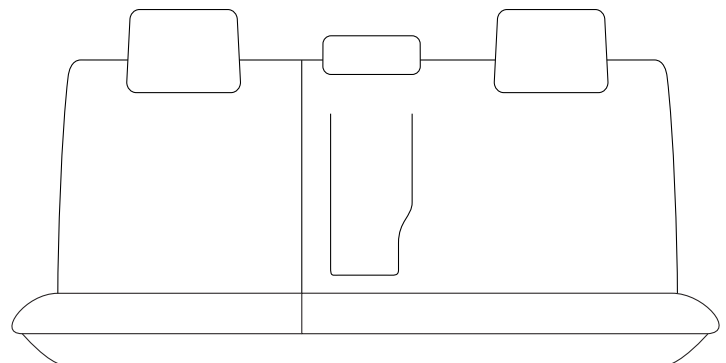
528



529

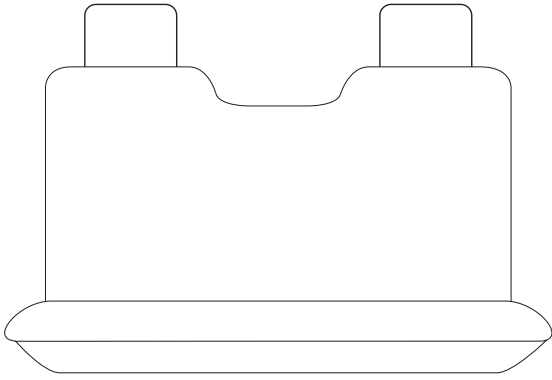


530



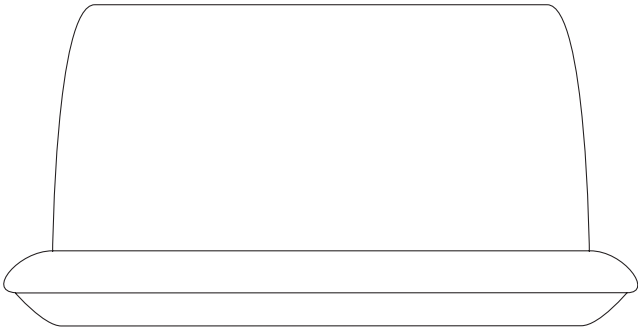
MIDDLE AND REAR SEATS

531

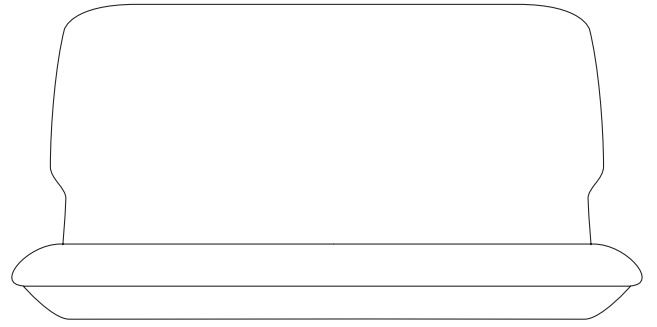


MIDDLE AND REAR SEATS

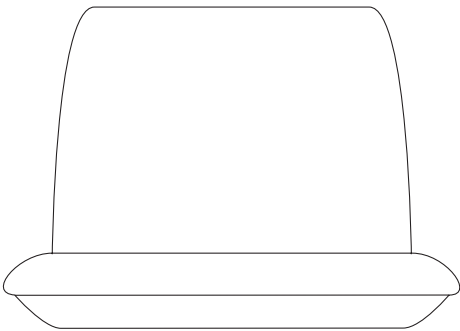
701



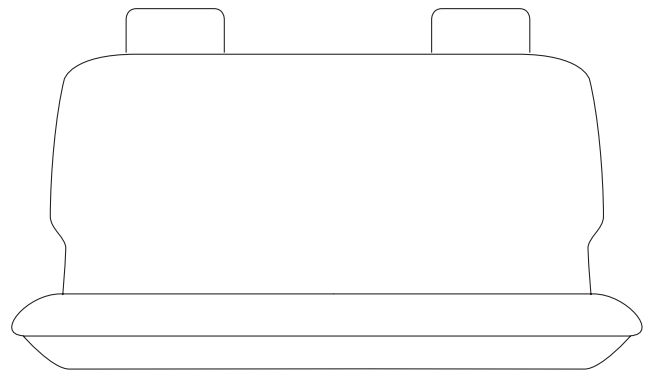
702



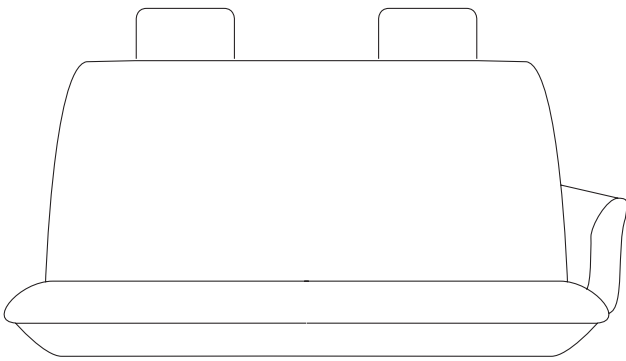
703



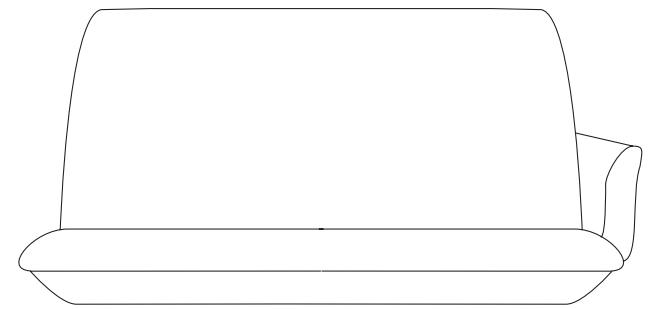
704



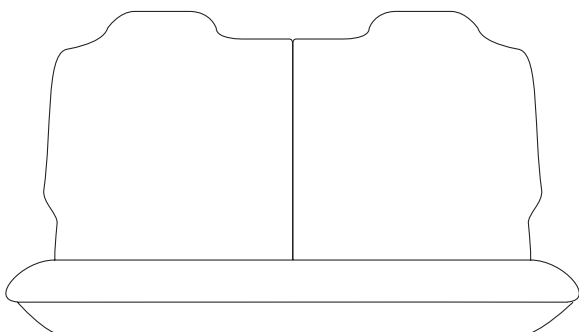
705



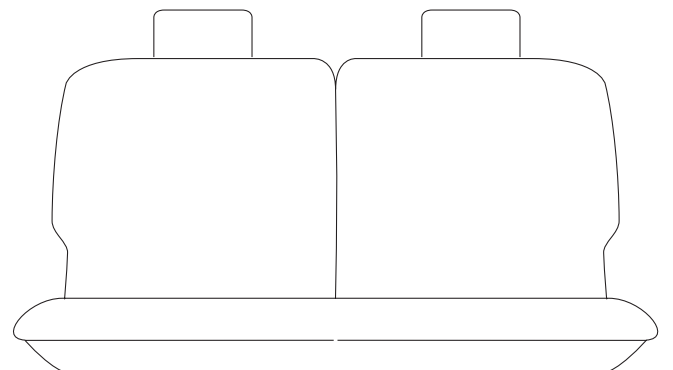
706



707

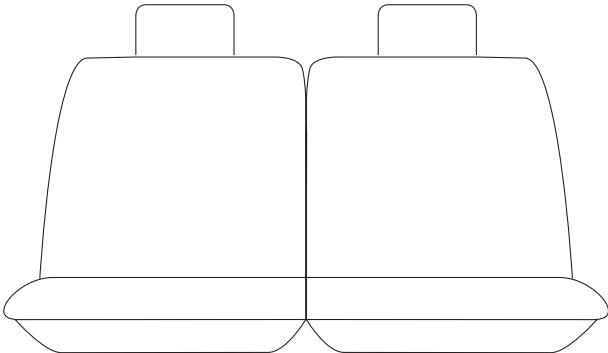


708

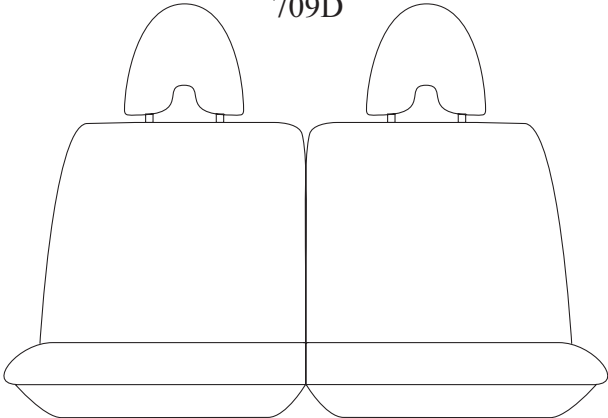


MIDDLE AND REAR SEATS

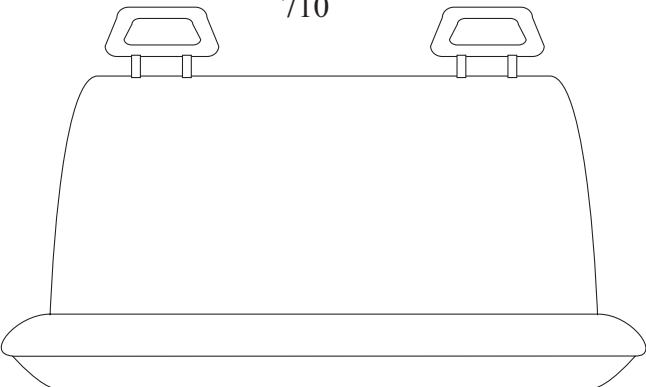
709



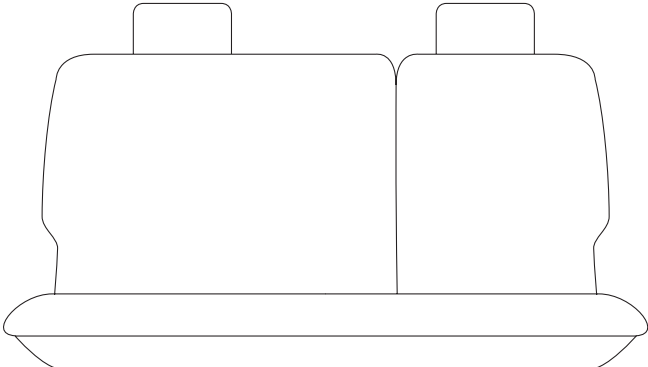
709D



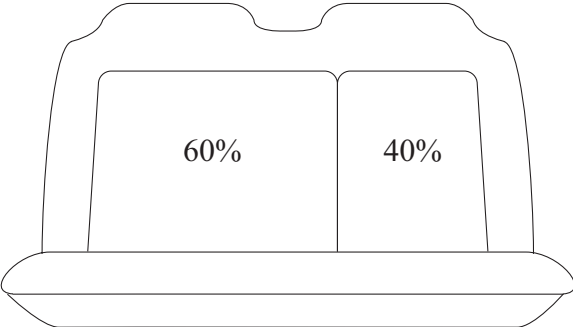
710



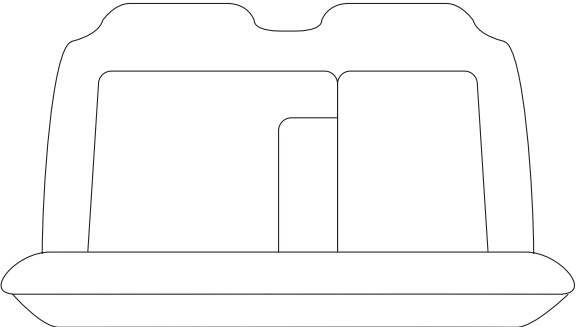
711



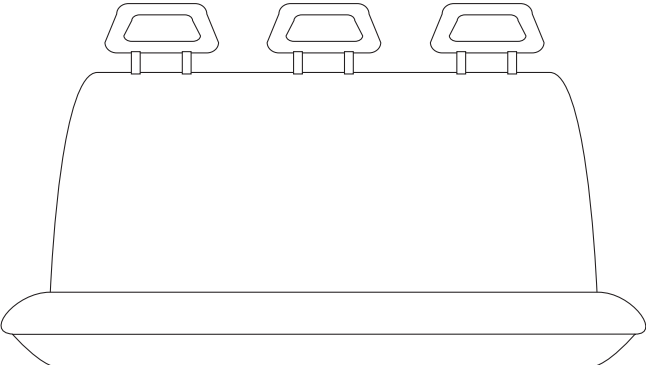
712



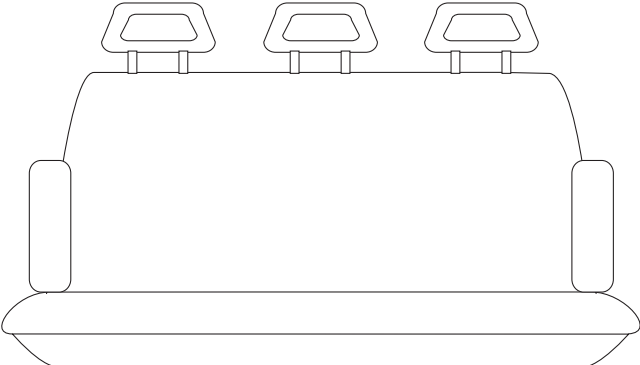
713



714

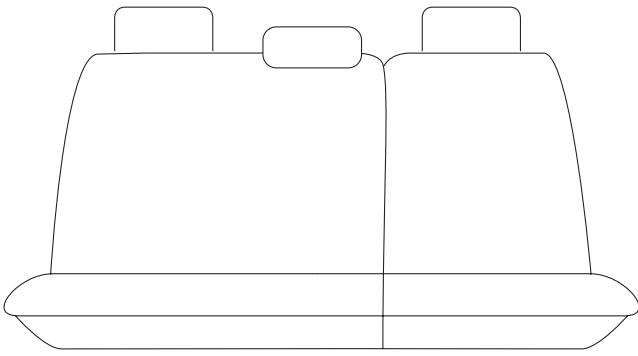


715

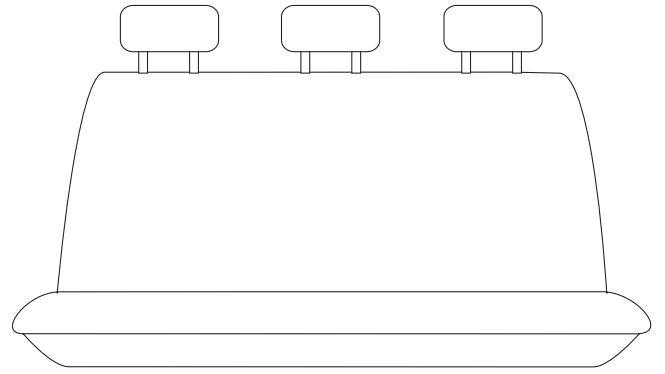


MIDDLE AND REAR SEATS

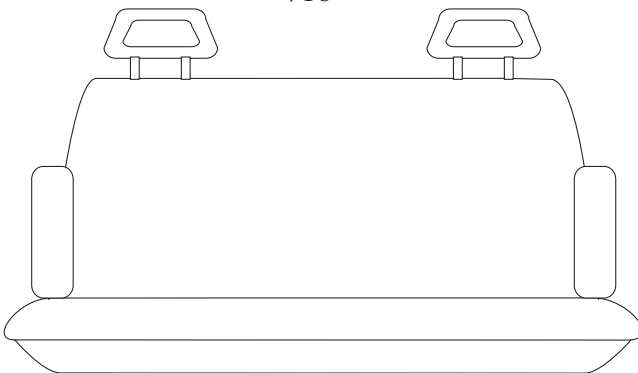
716



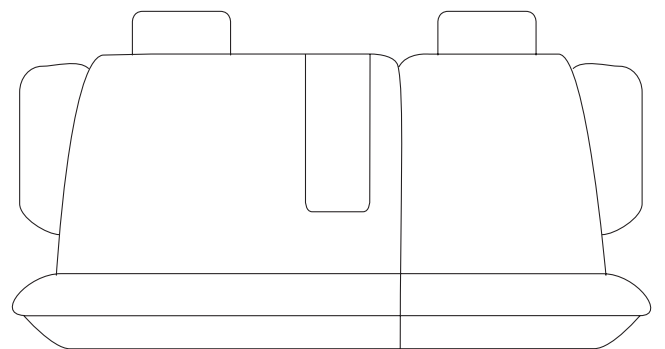
717



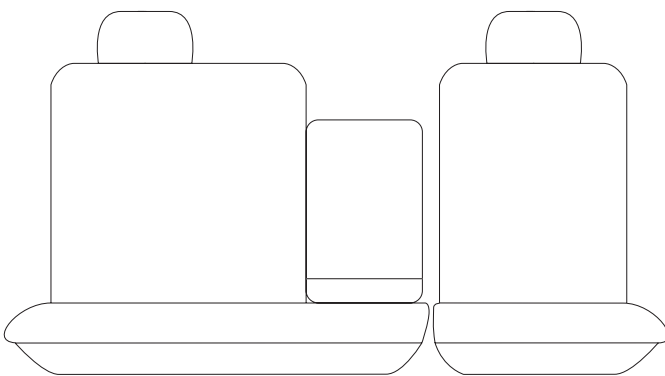
718



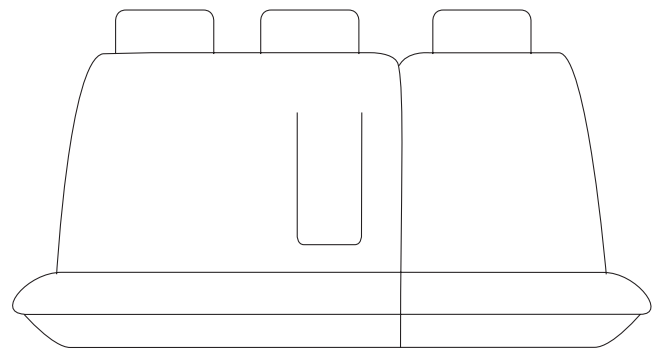
719



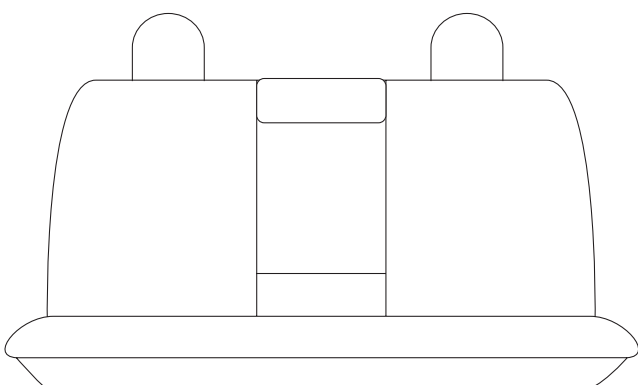
720



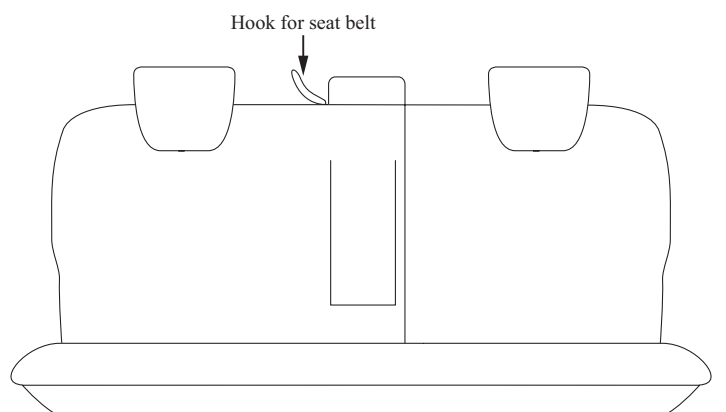
721



722

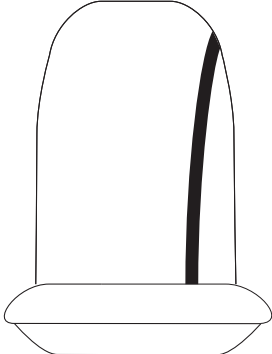


723

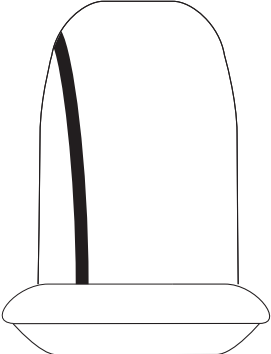


MIDDLE AND REAR SEATS

724

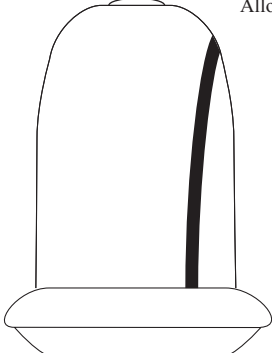


725



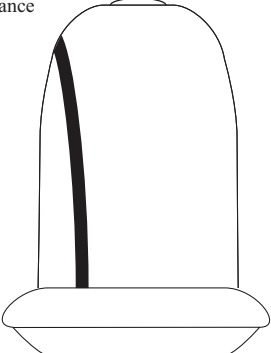
726

Baby Seat Allowance

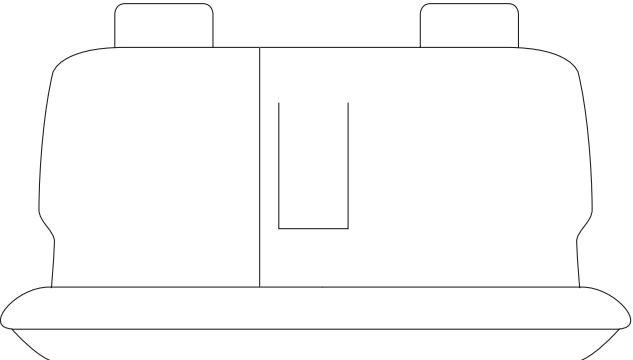


727

Baby Seat Allowance

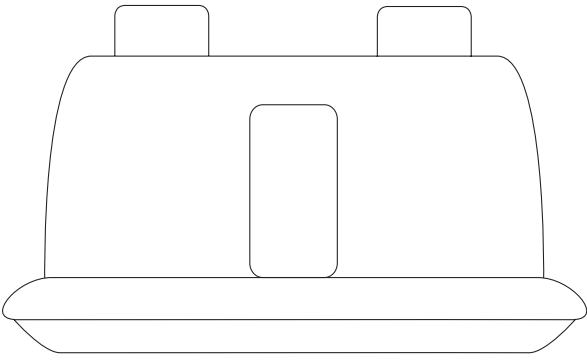


728

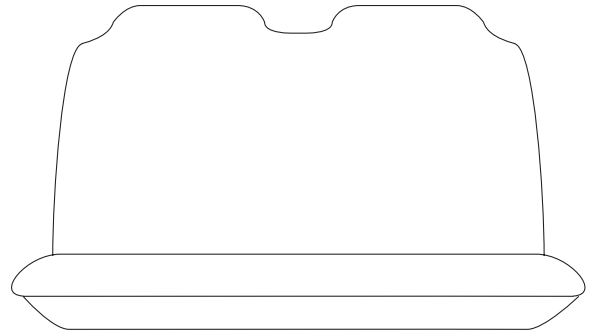


MIDDLE AND REAR SEATS

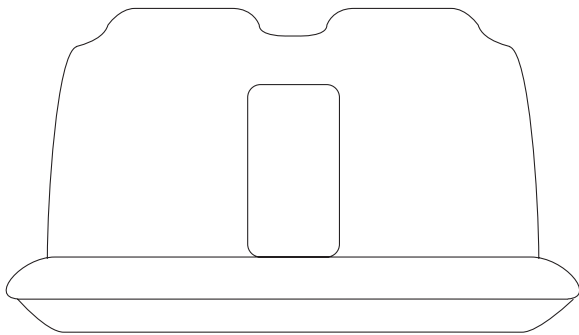
801



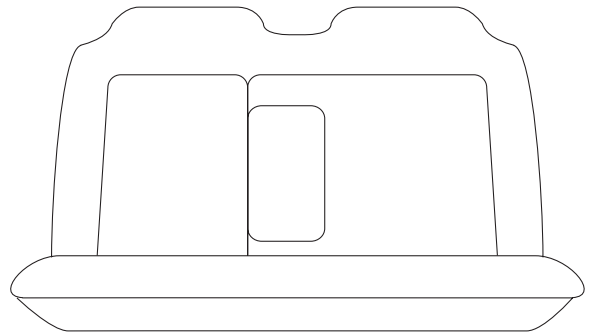
802



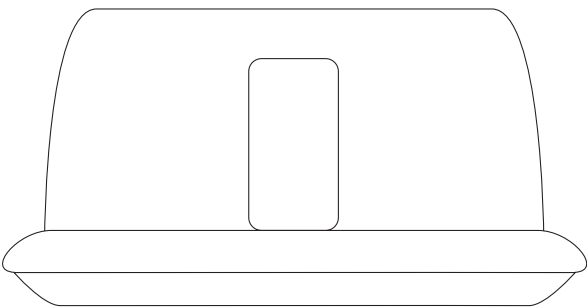
803



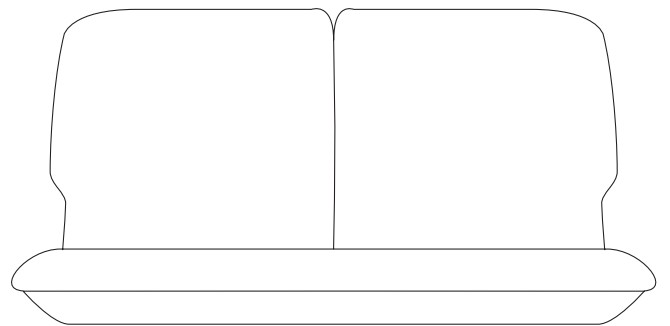
804



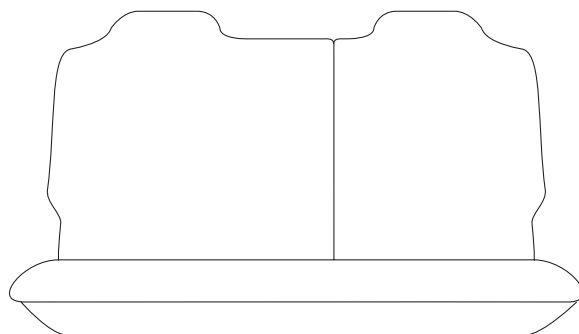
805



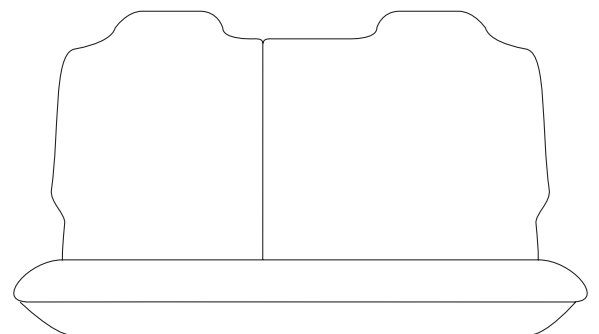
806



807

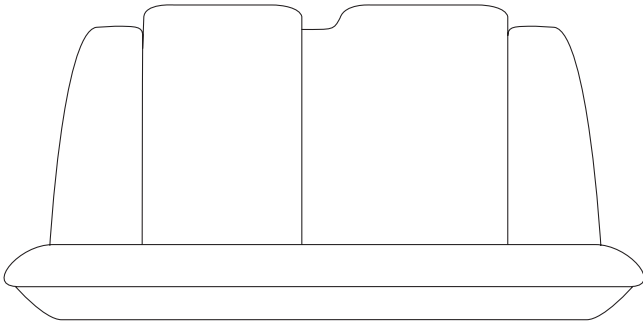


808

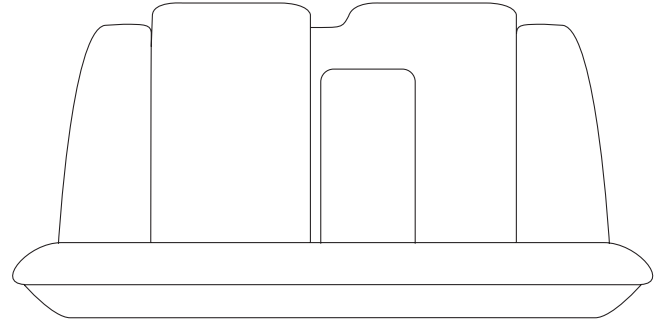


MIDDLE AND REAR SEATS

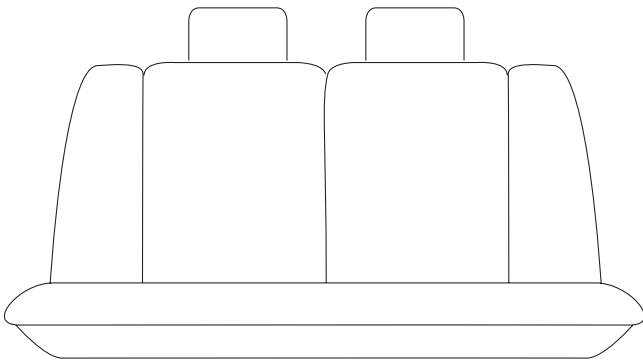
809



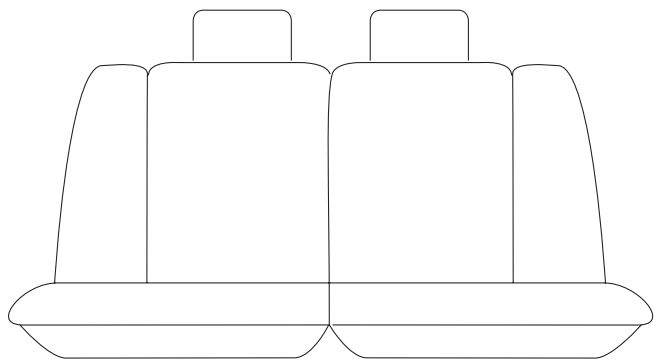
810



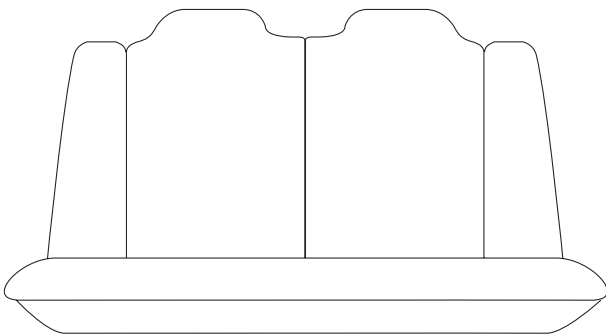
811



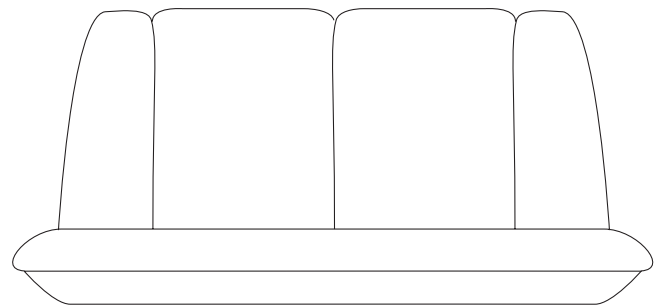
812



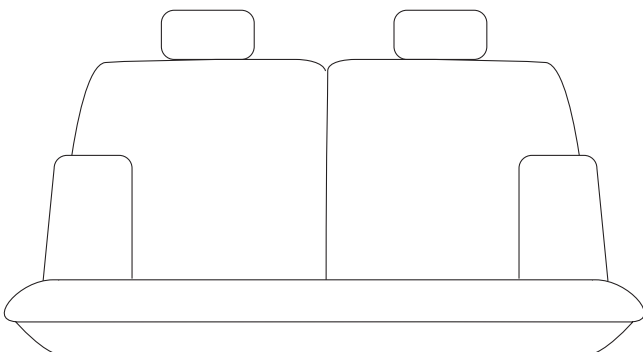
813



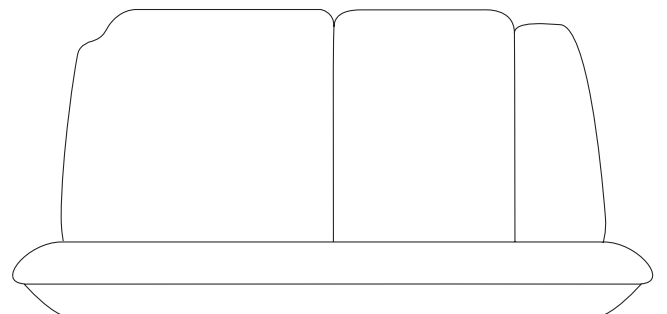
814



815

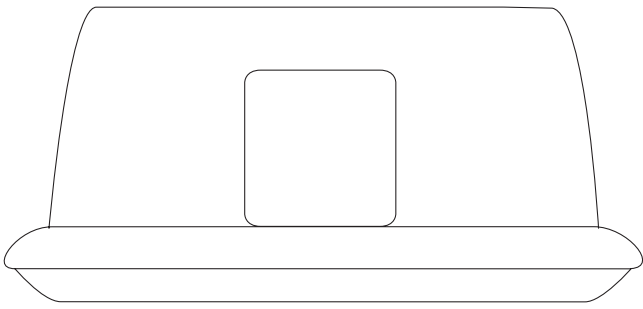


816

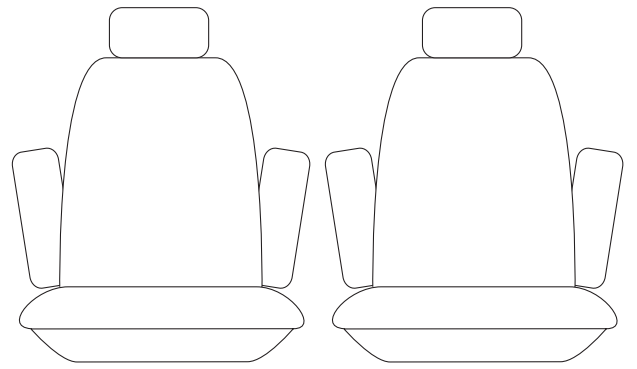


MIDDLE AND REAR SEATS

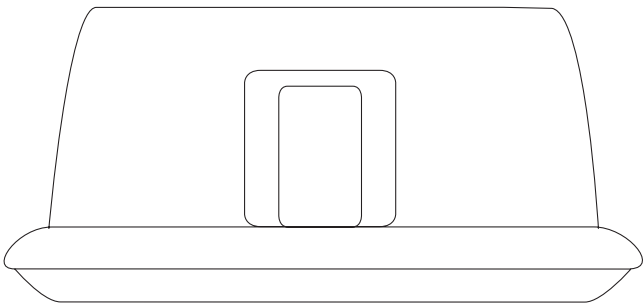
817



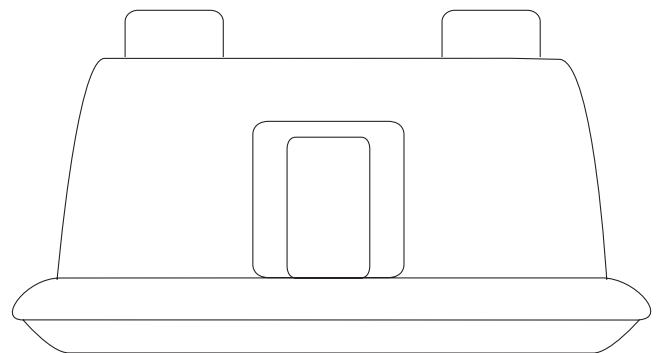
818



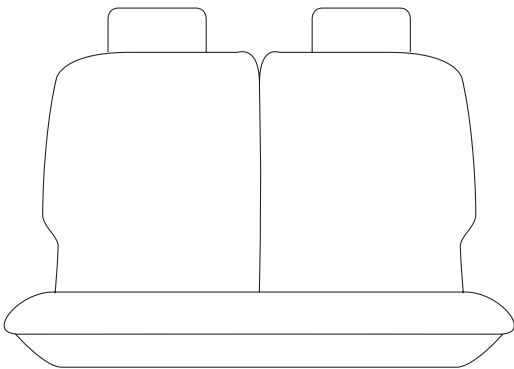
819



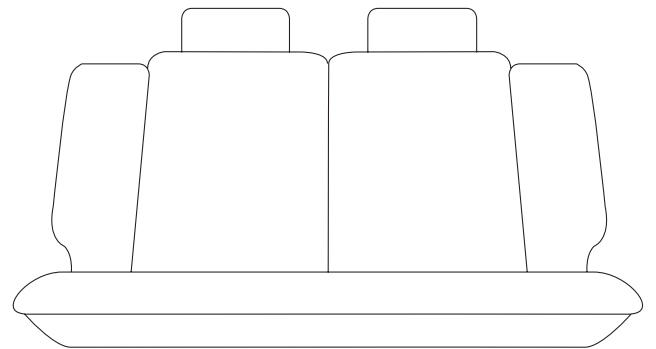
820



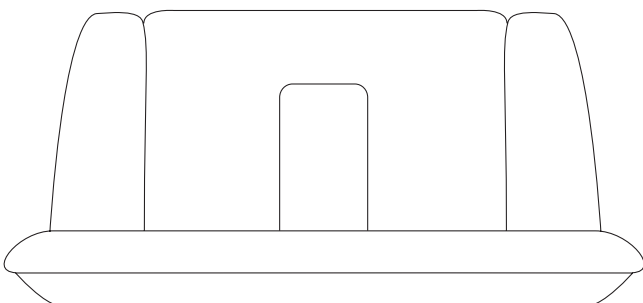
821



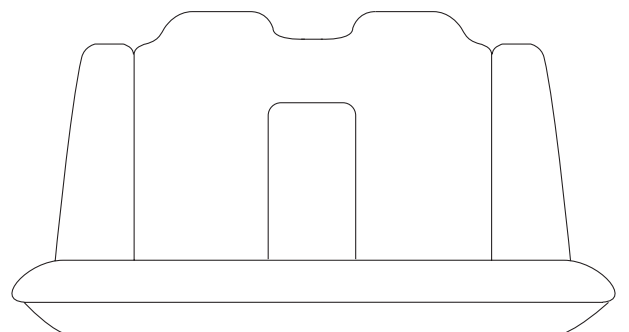
822



823

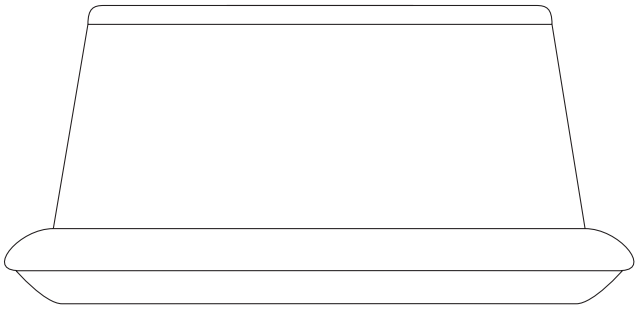


824

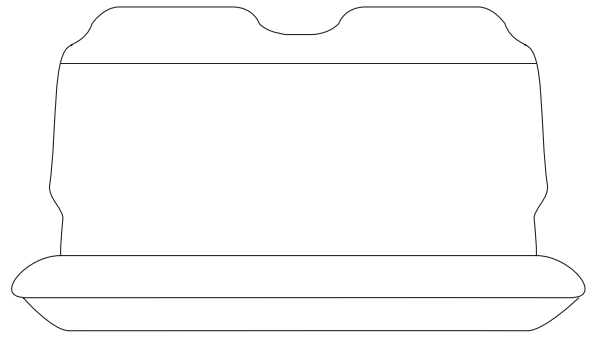


MIDDLE AND REAR SEATS

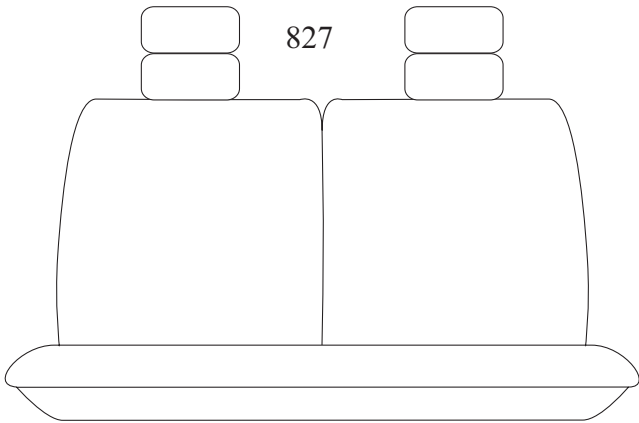
825



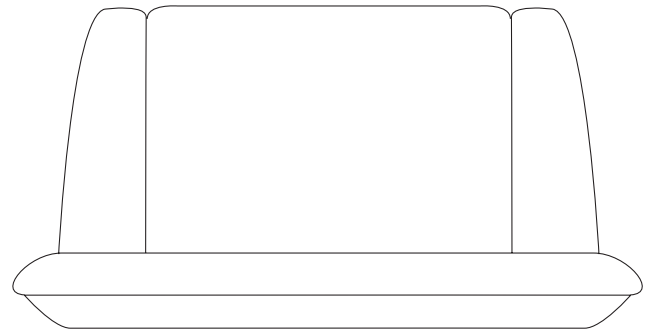
826



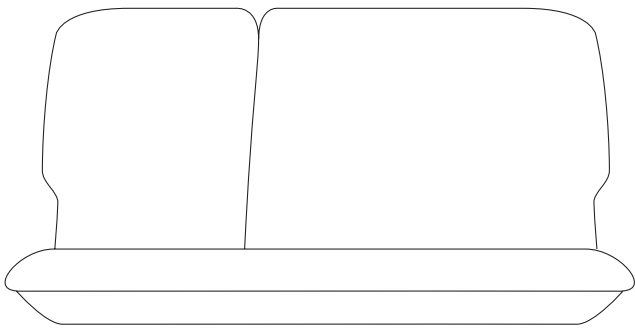
827



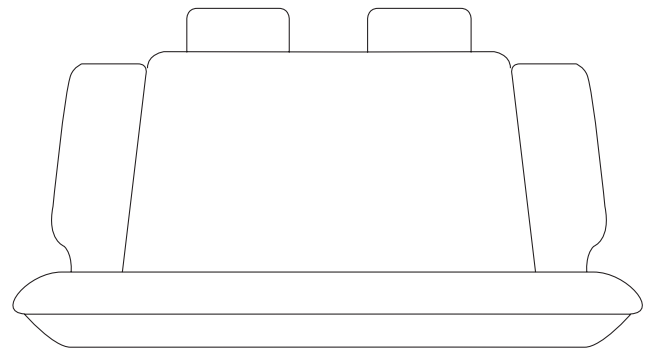
828



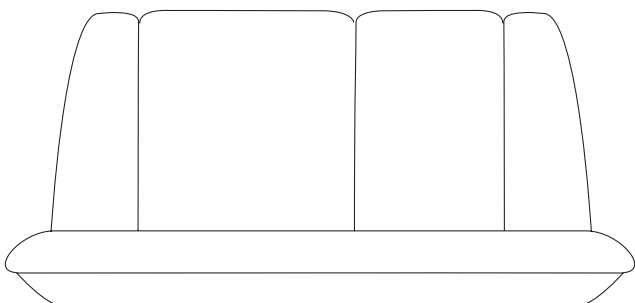
829



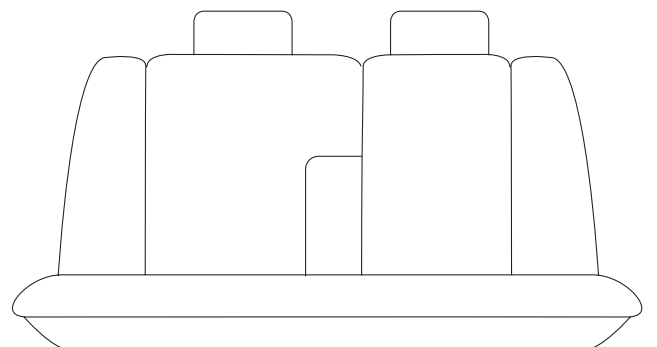
830



831

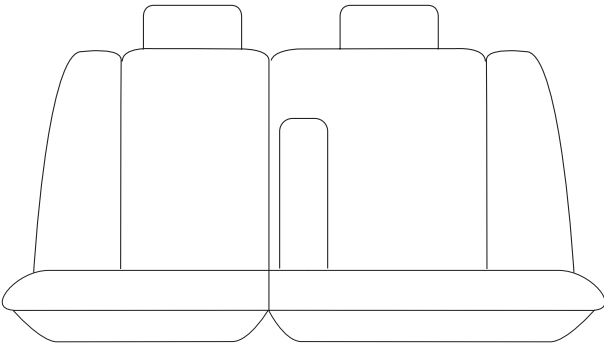


832

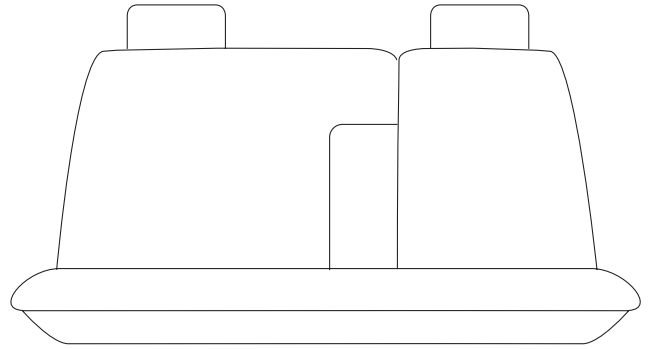


MIDDLE AND REAR SEATS

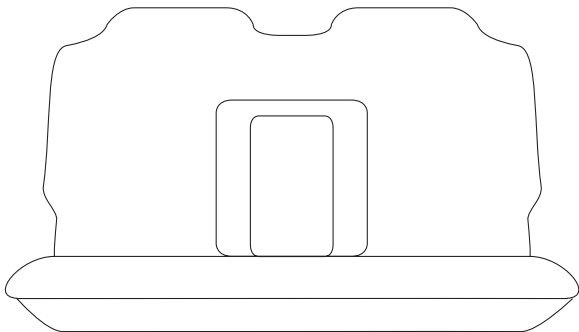
833



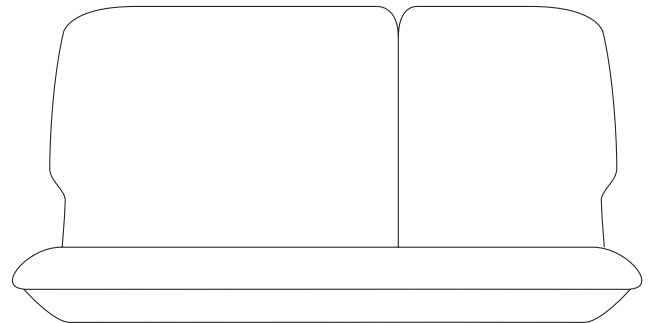
834



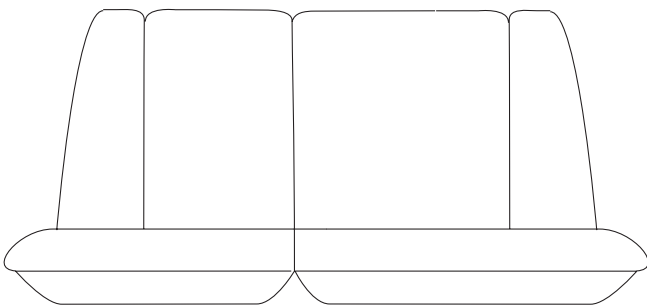
835



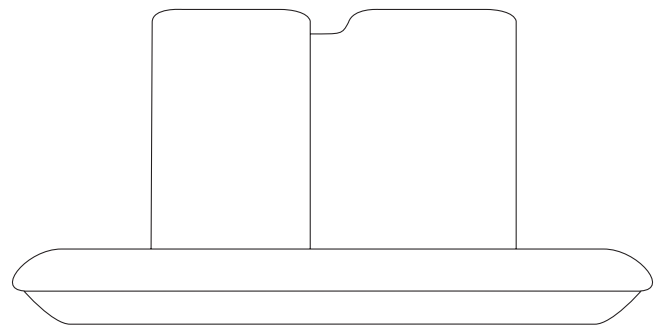
836



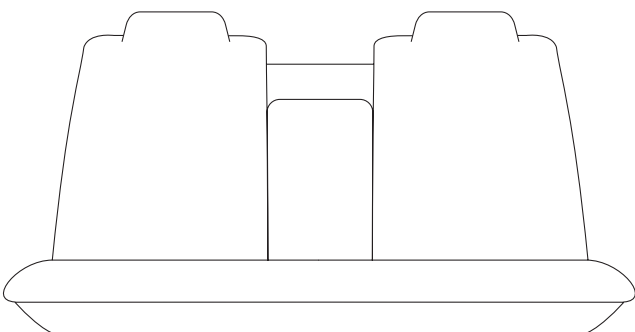
837



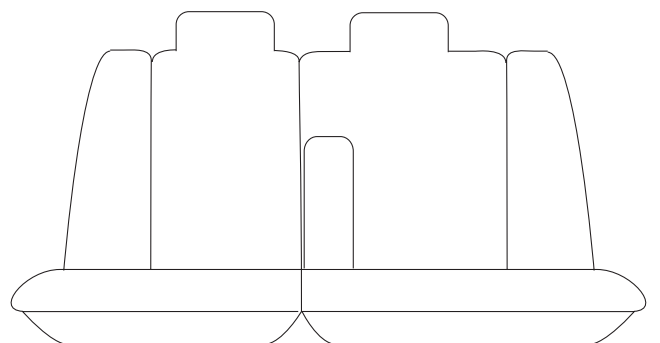
838



839

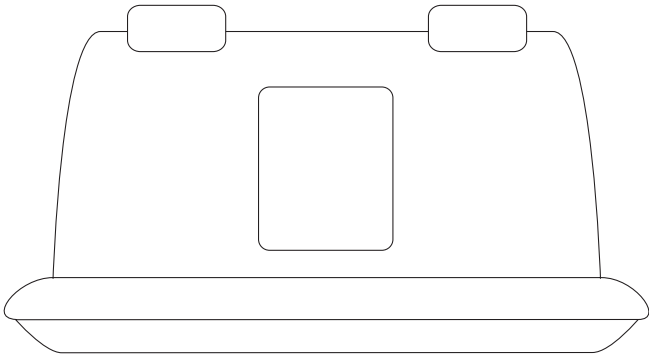


840

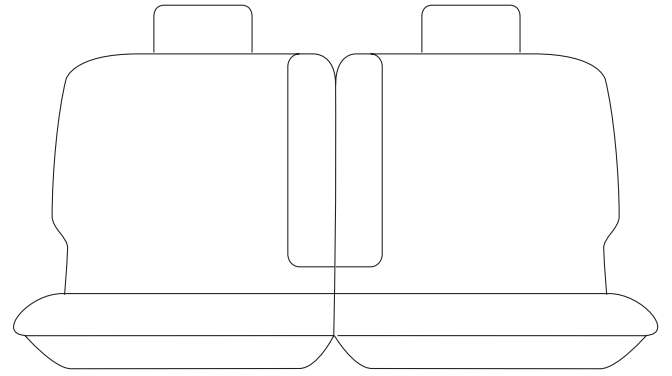


MIDDLE AND REAR SEATS

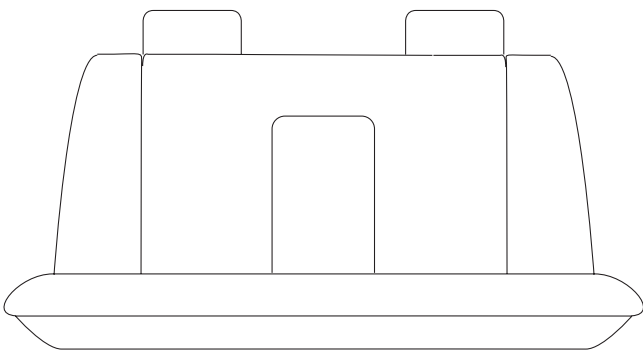
841



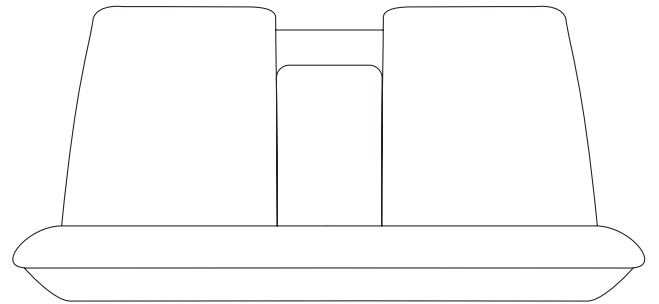
842



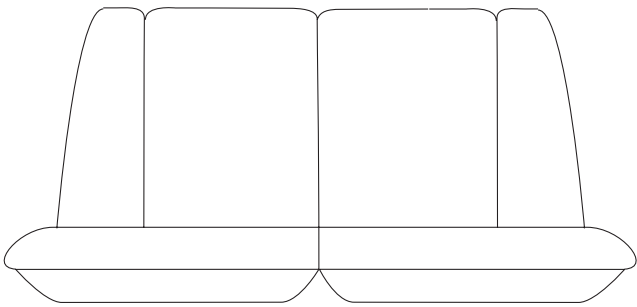
843



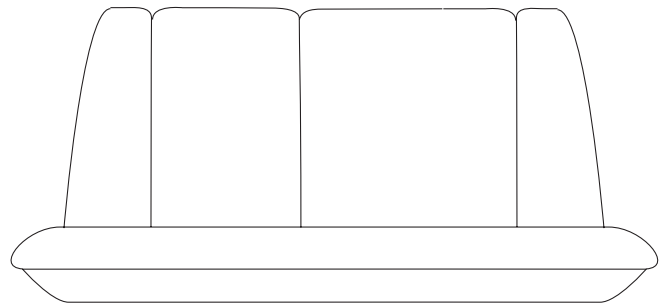
844



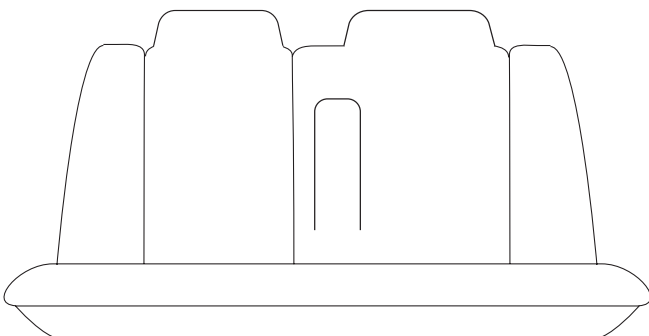
845



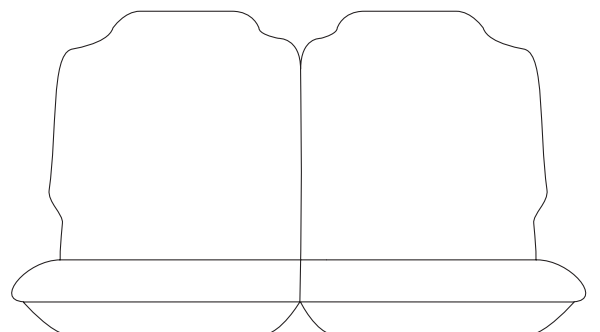
846



847

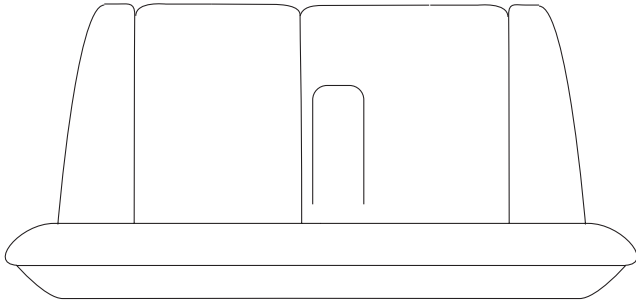
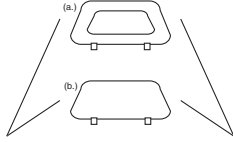


848

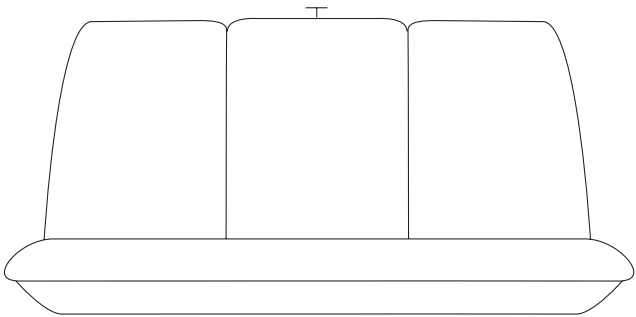


MIDDLE AND REAR SEATS

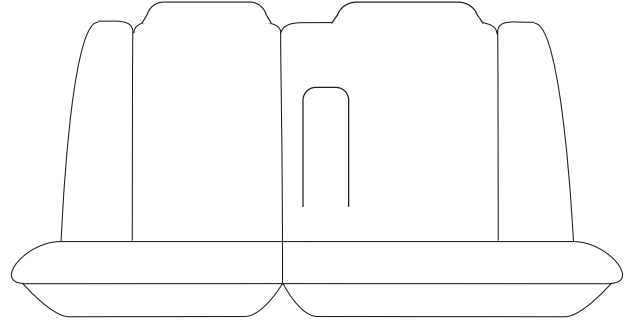
849



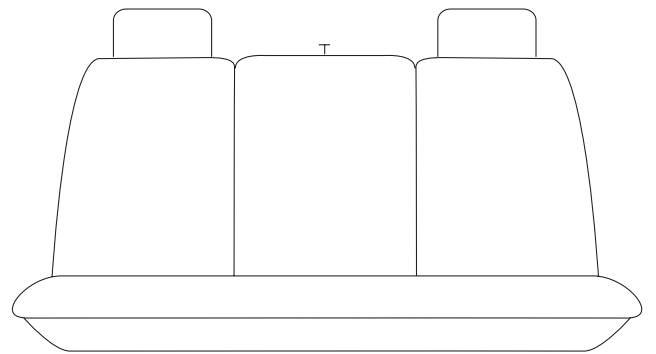
851



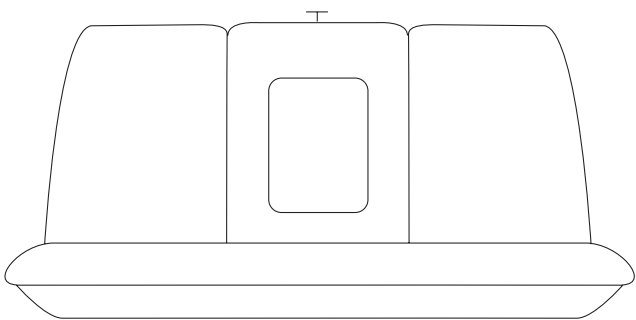
850



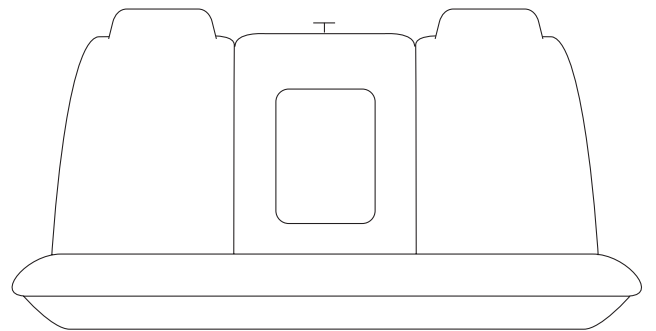
852



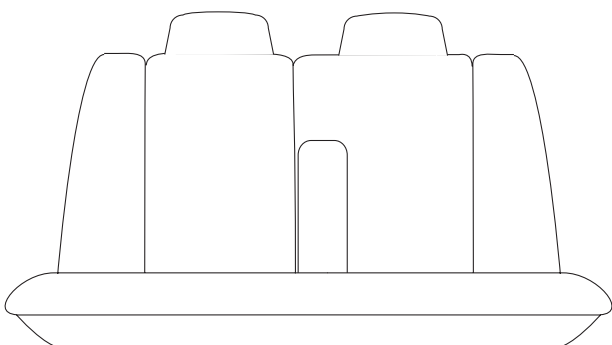
853



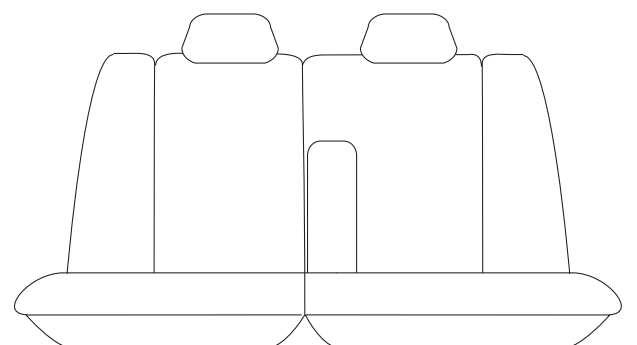
854



855

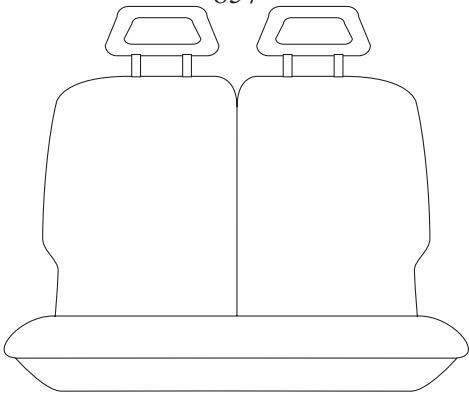


856

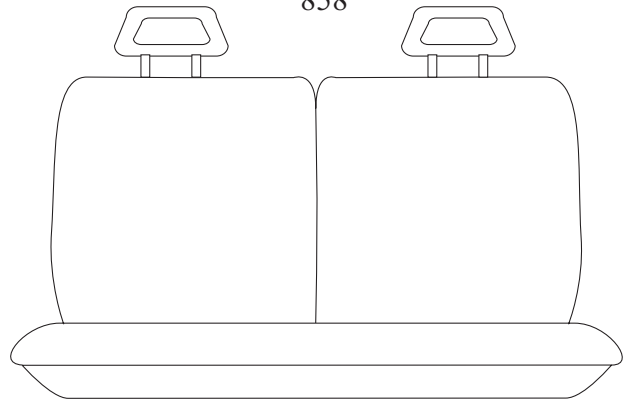


MIDDLE AND REAR SEATS

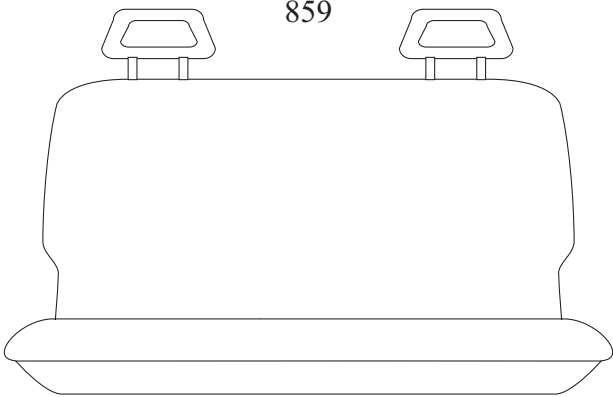
857



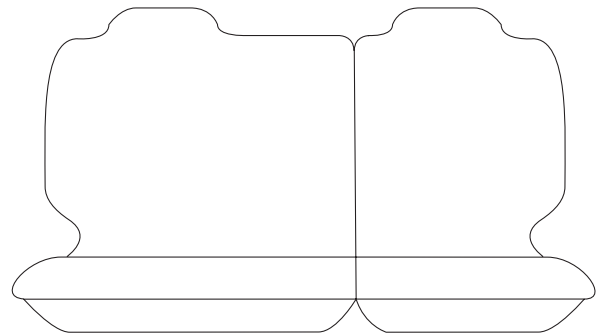
858



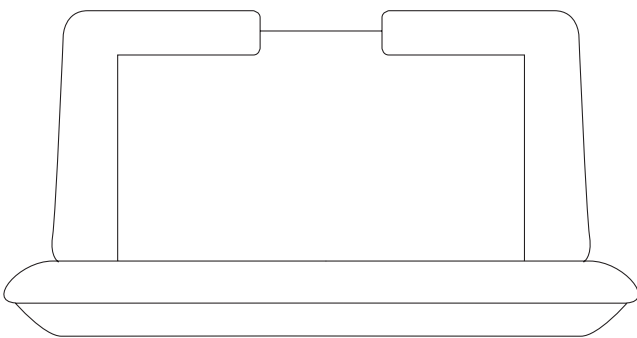
859



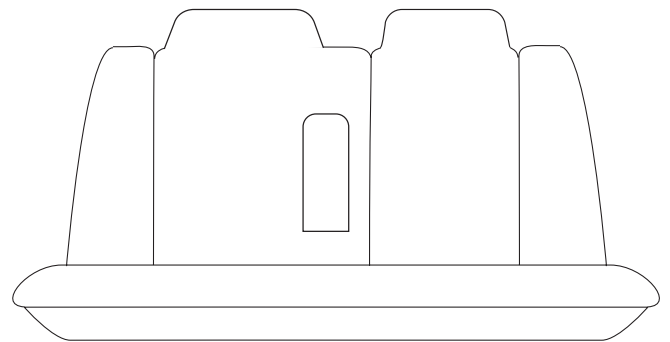
860



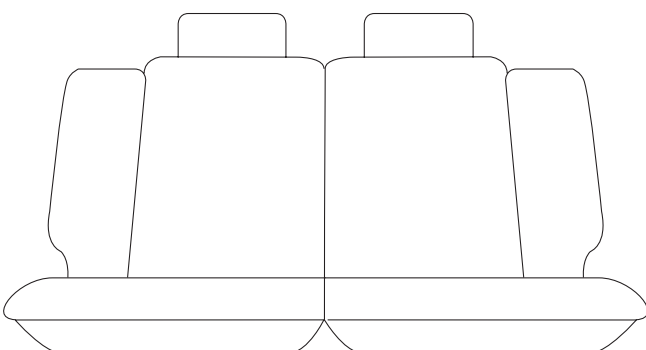
861



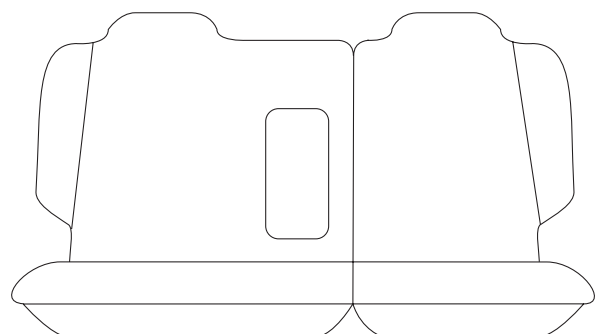
862



863

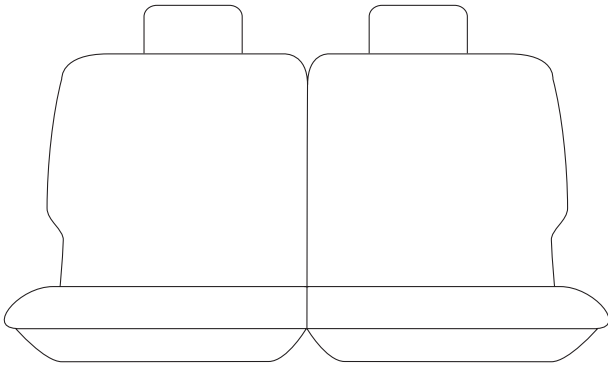


864

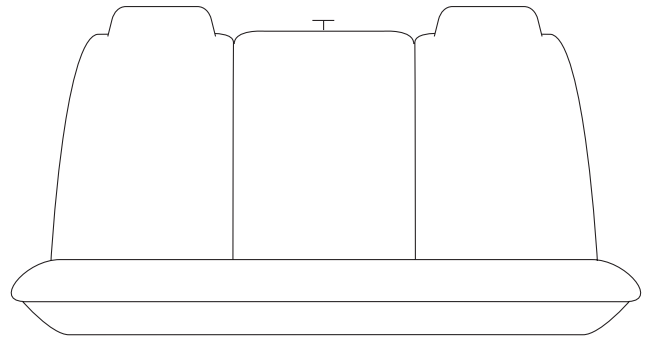


MIDDLE AND REAR SEATS

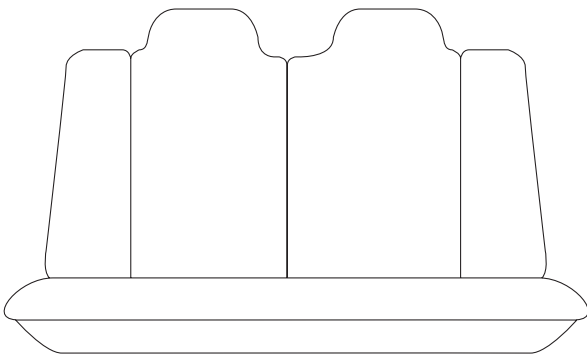
865



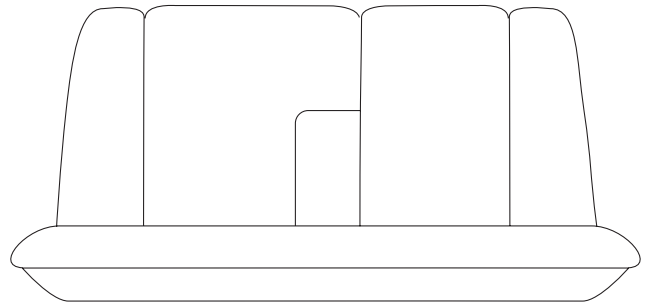
866



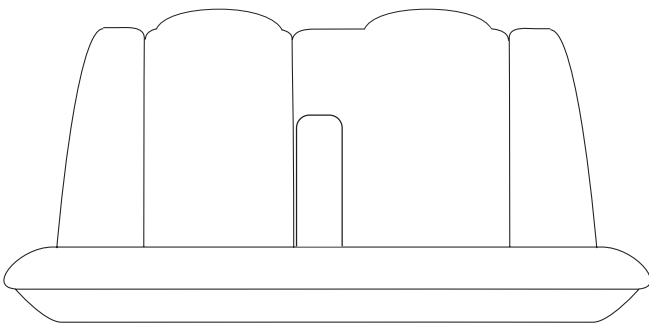
867



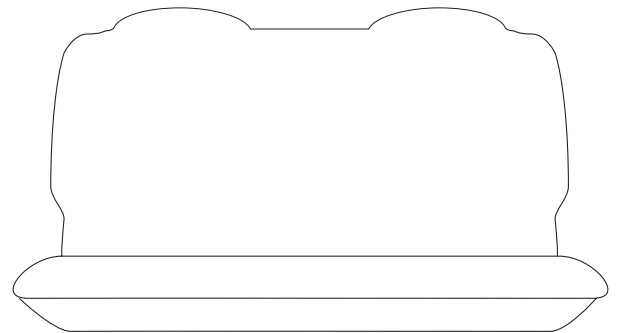
868



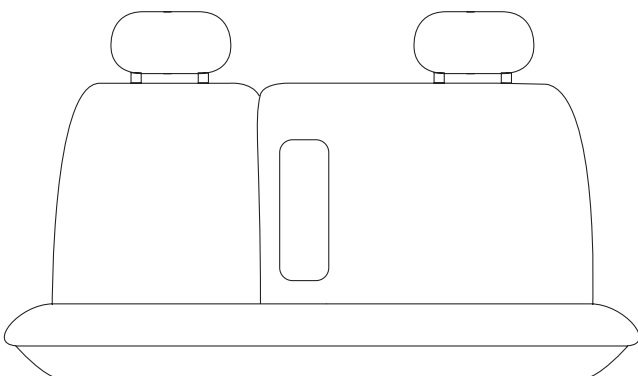
869



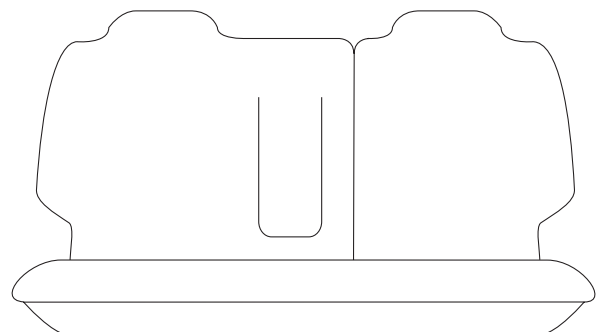
870



871

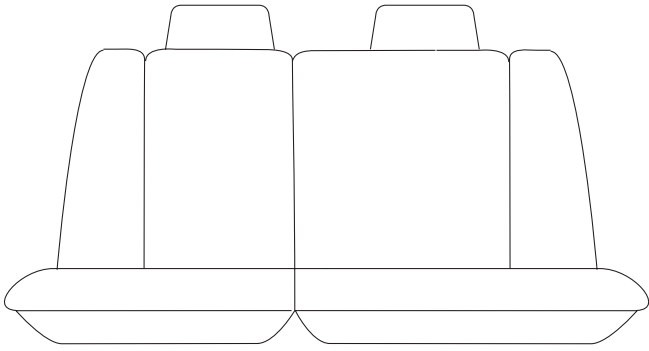


872

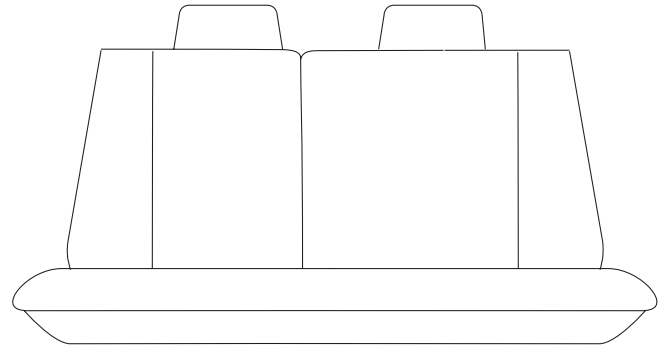


MIDDLE AND REAR SEATS

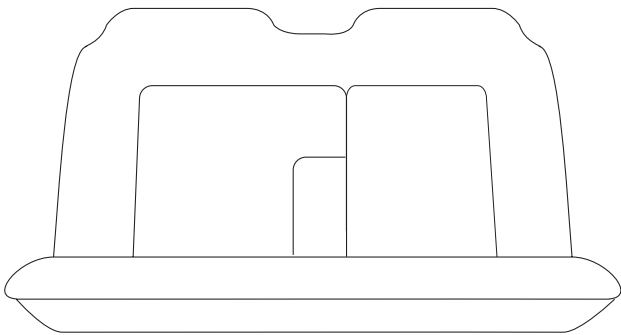
873



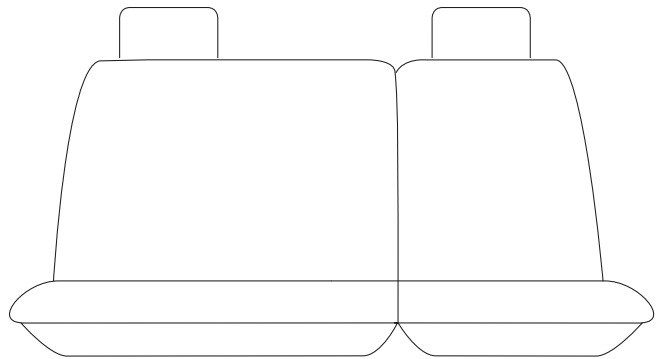
874



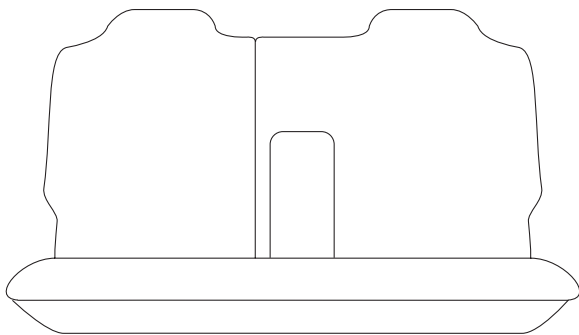
875



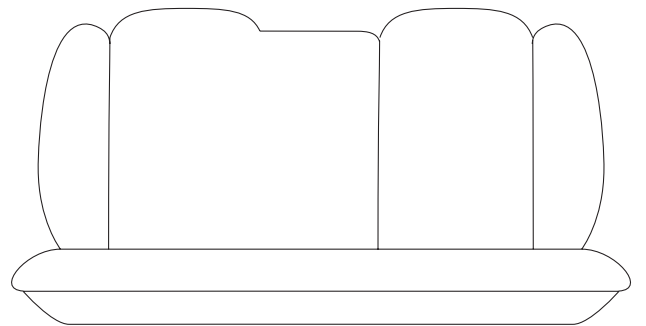
876



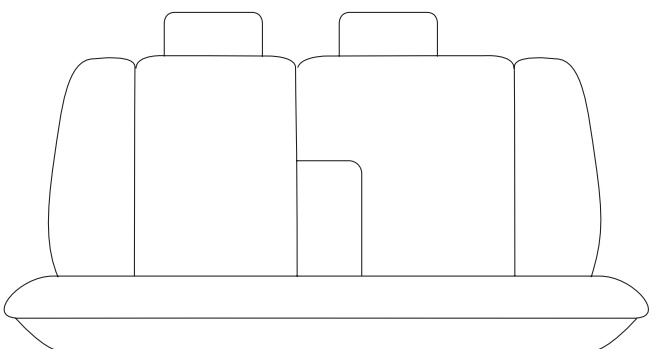
877



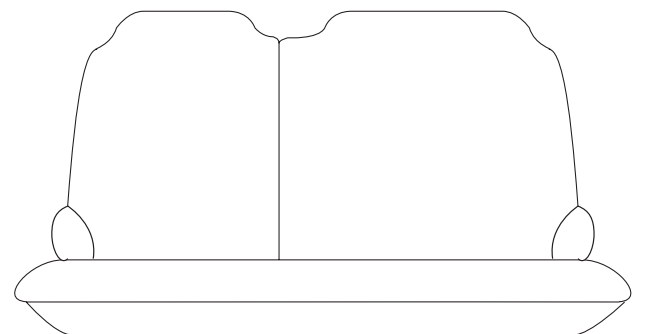
878



879

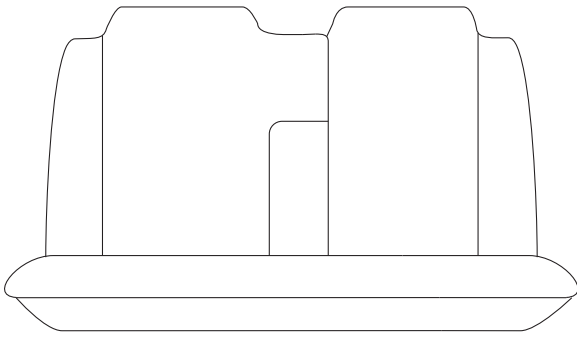


880

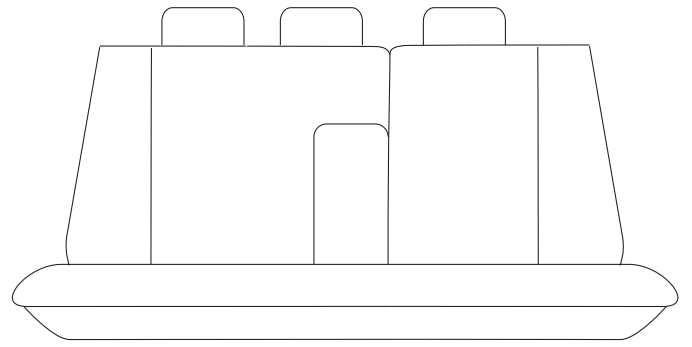


MIDDLE AND REAR SEATS

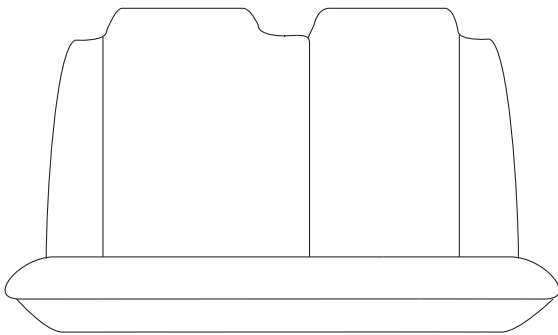
881



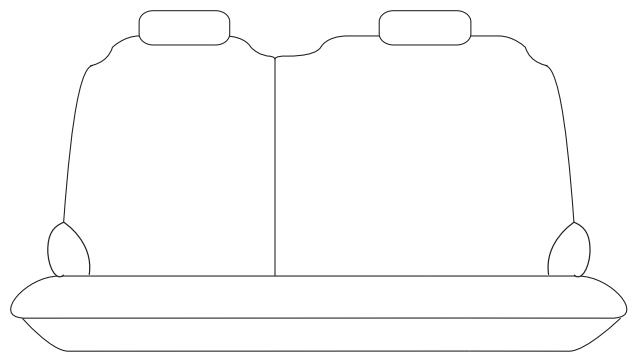
882



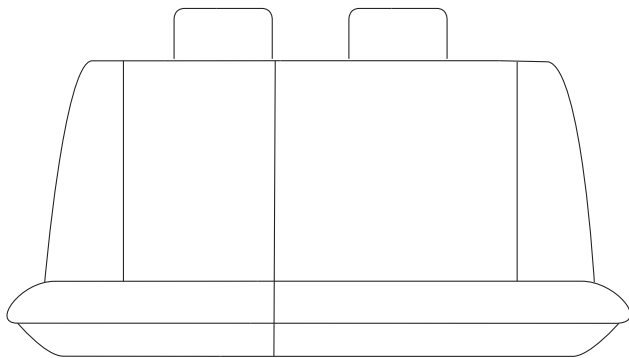
883



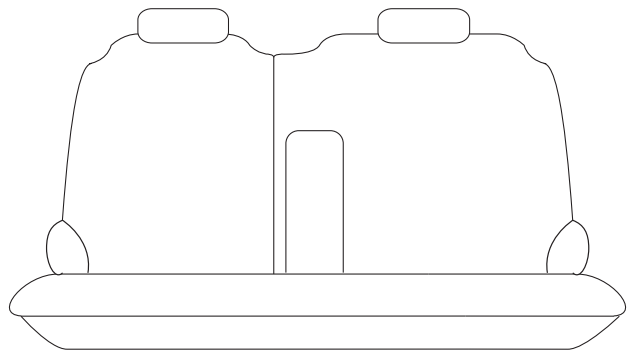
884



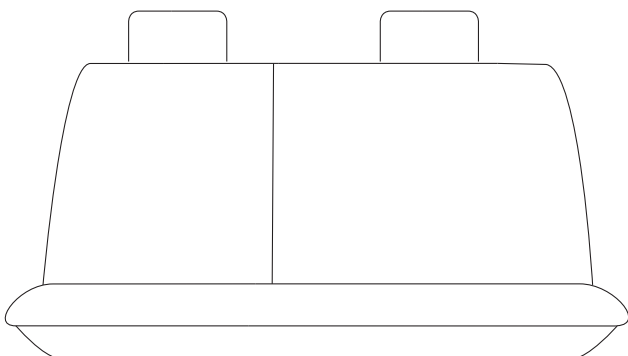
885



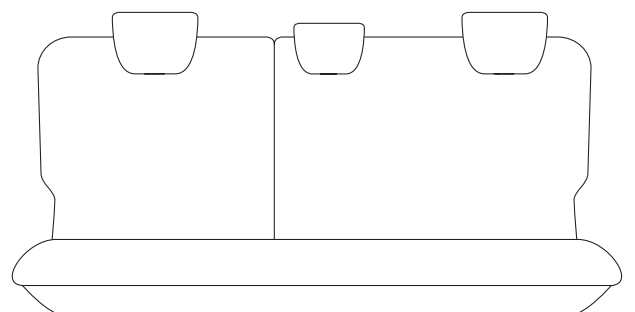
886



887

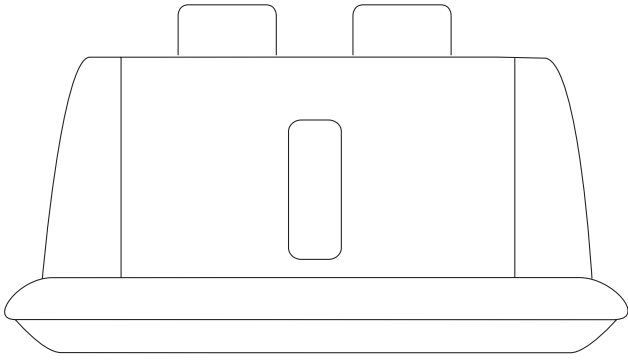


888

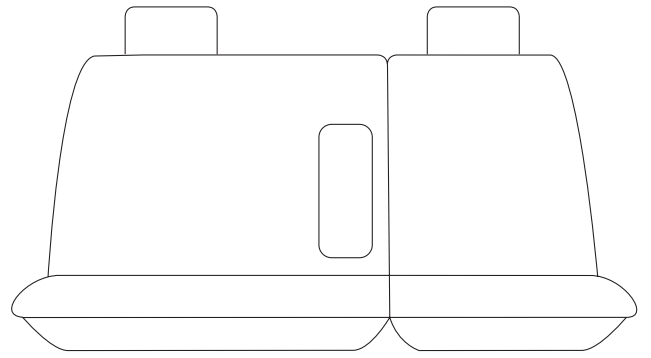


MIDDLE AND REAR SEATS

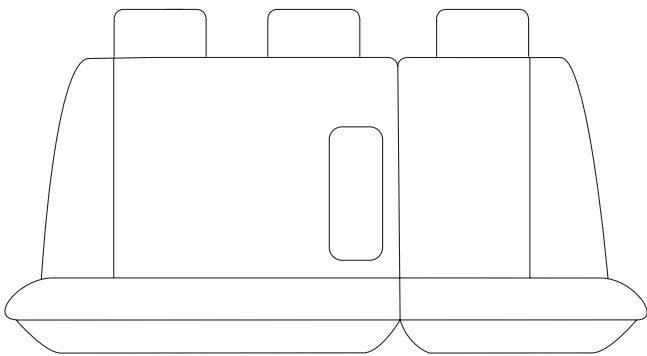
889



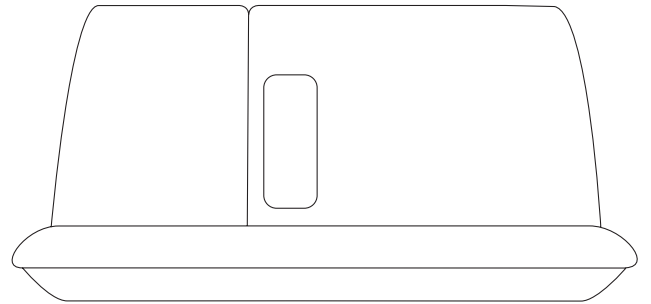
890



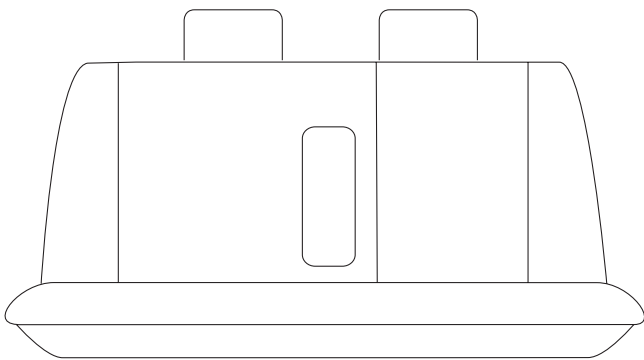
891



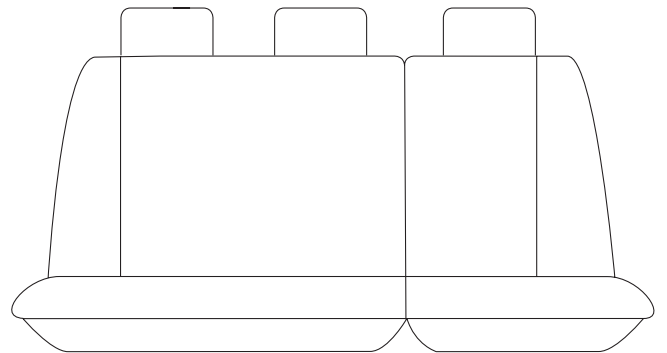
892



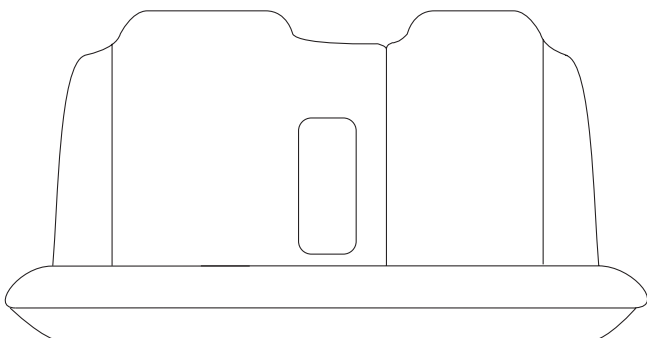
893



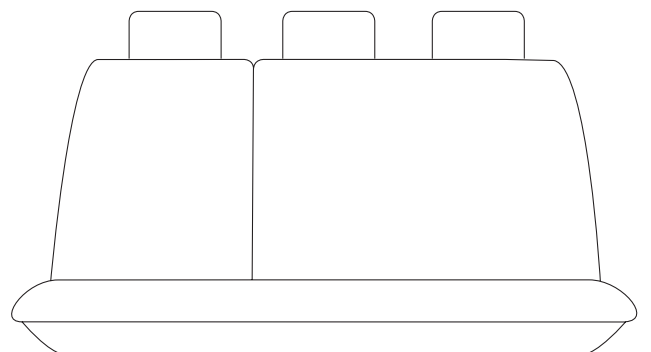
894



895

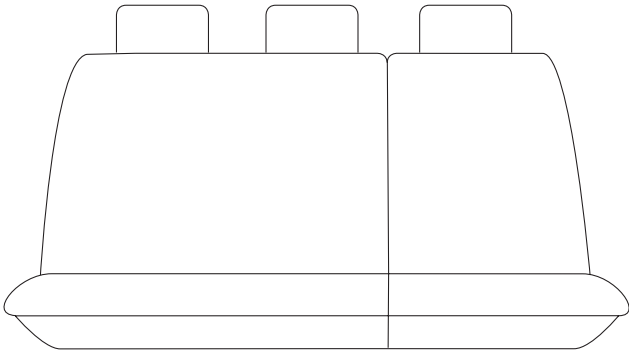


896

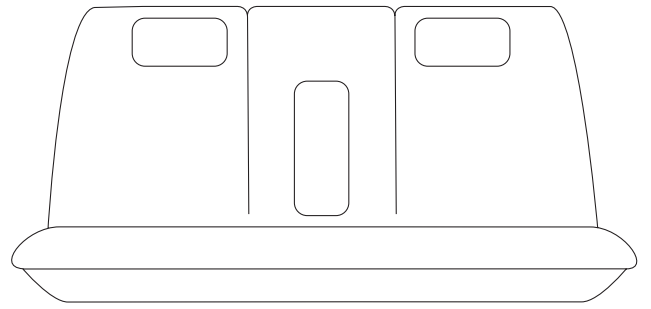


MIDDLE AND REAR SEATS

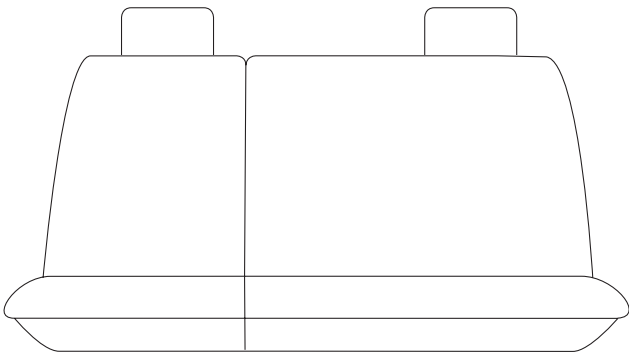
897



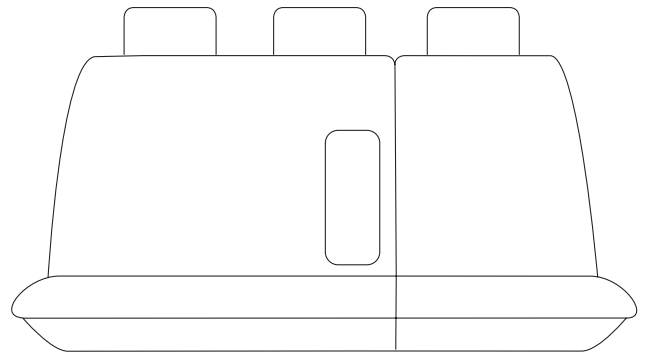
898



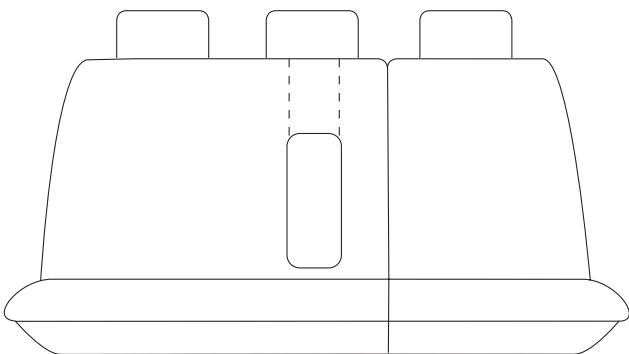
899



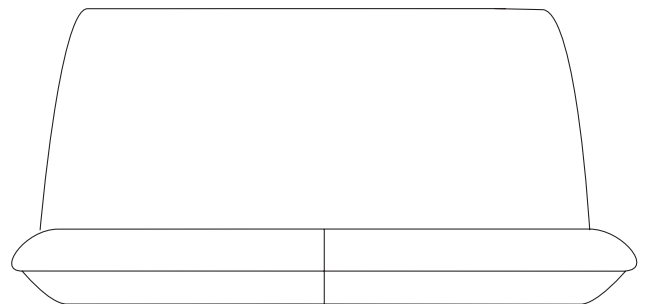
900



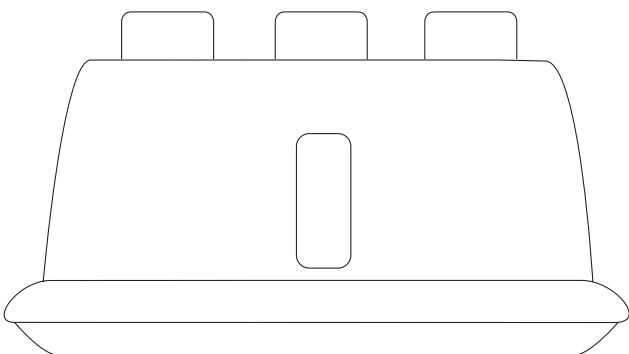
901



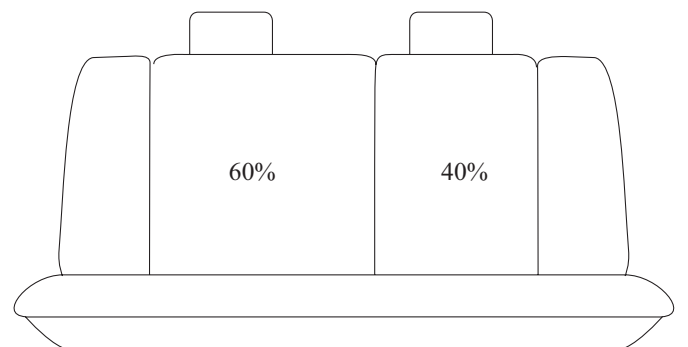
902



903

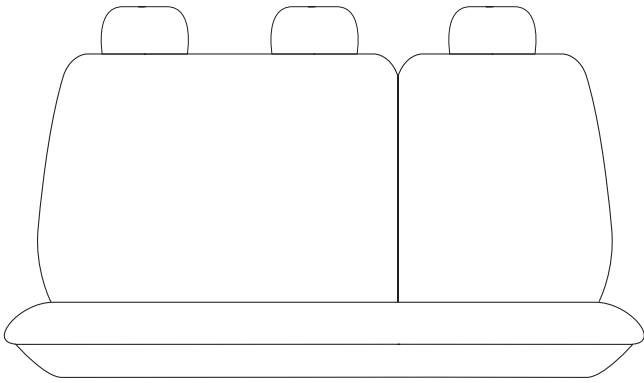


904

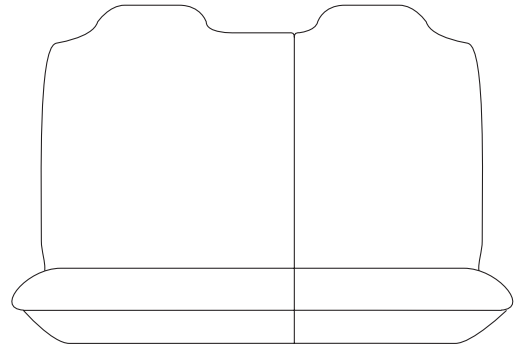


MIDDLE AND REAR SEATS

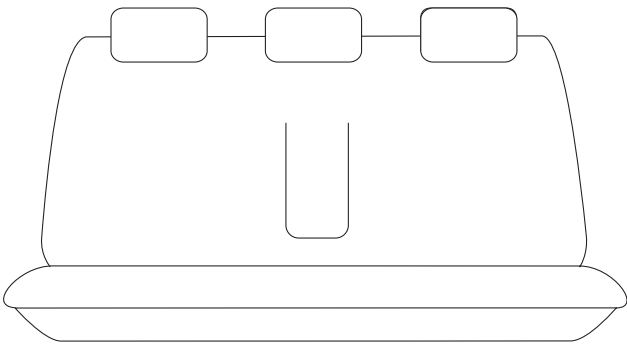
905



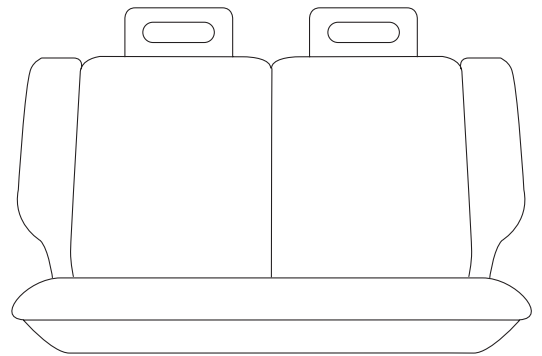
906



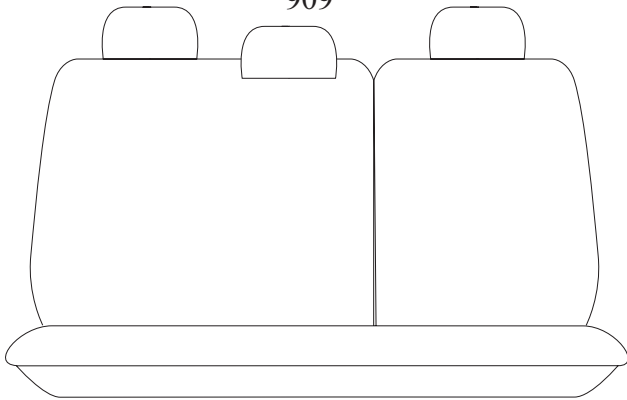
907



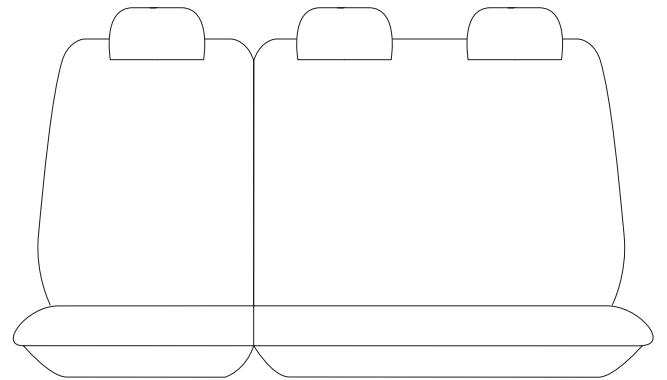
908



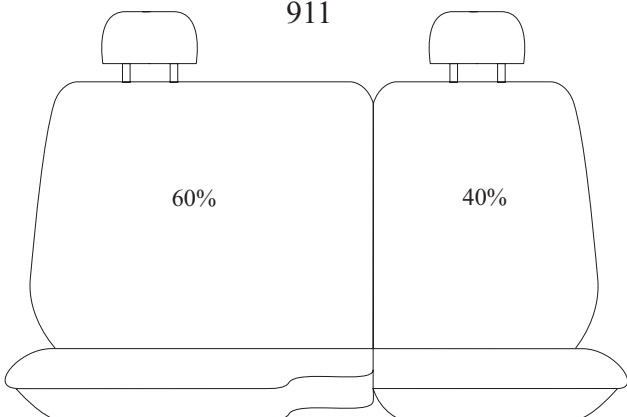
909



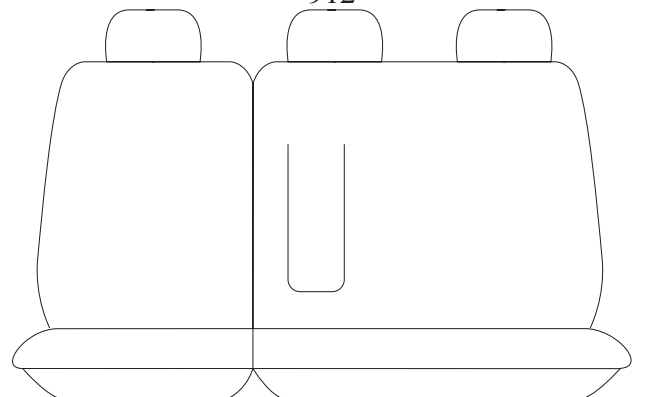
910



911

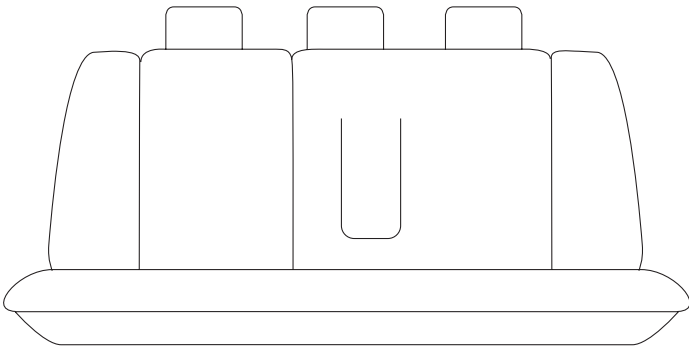


912

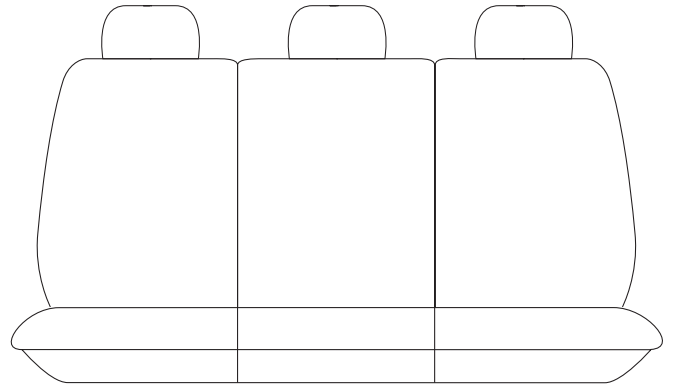


MIDDLE AND REAR SEATS

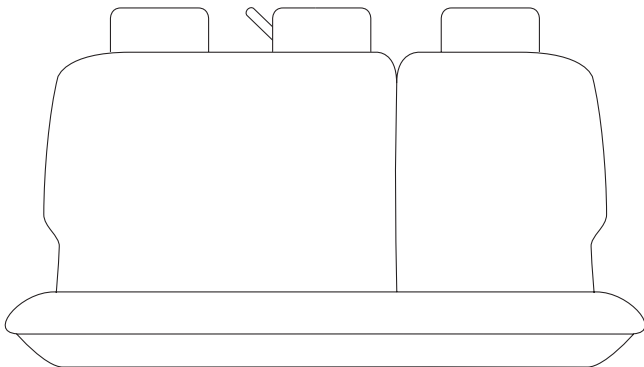
913



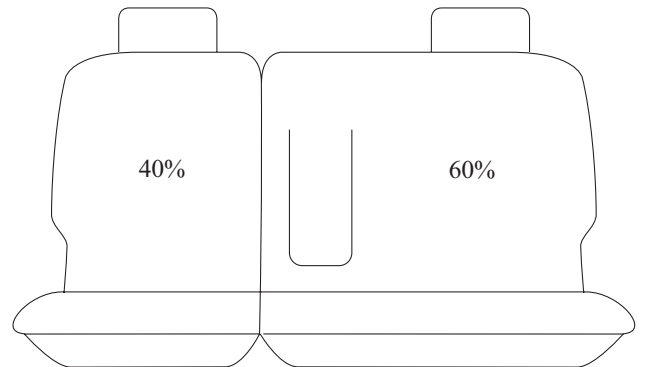
914



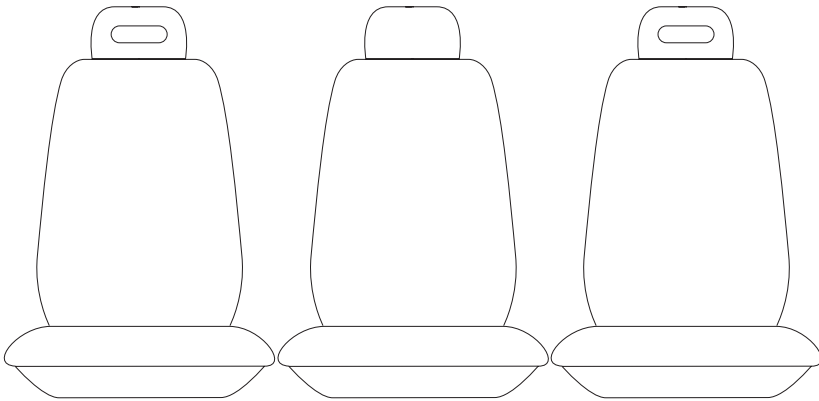
915



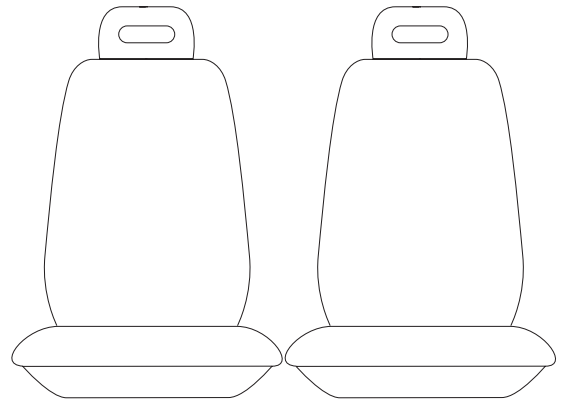
916



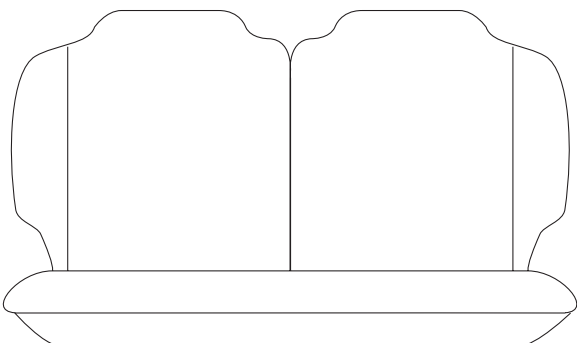
917



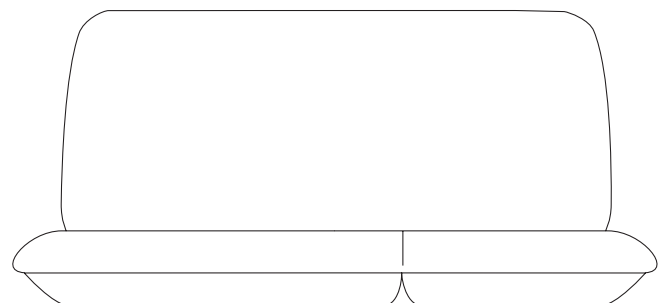
918



919

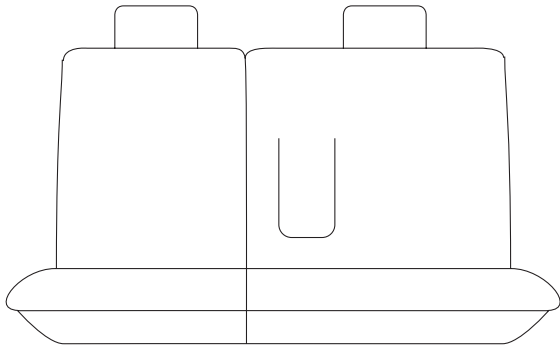


920

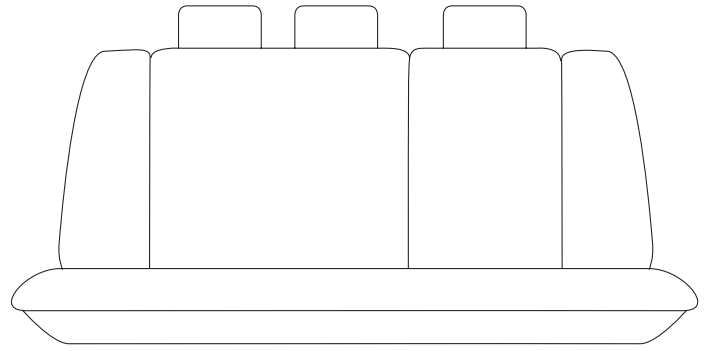


MIDDLE AND REAR SEATS

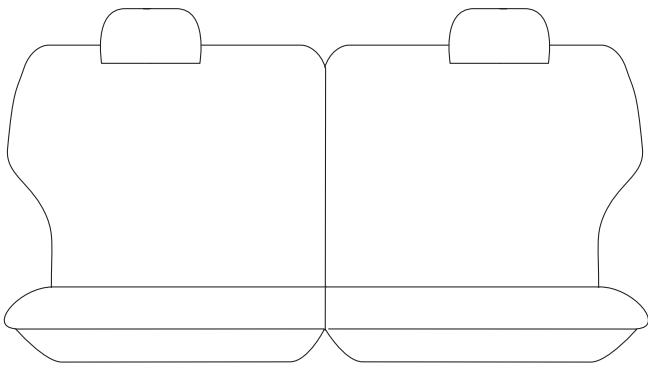
921



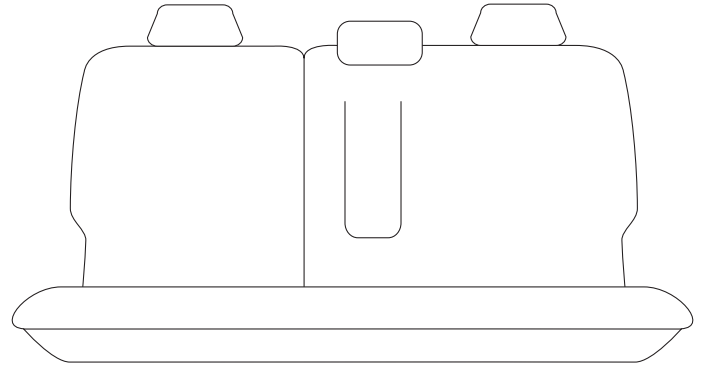
922



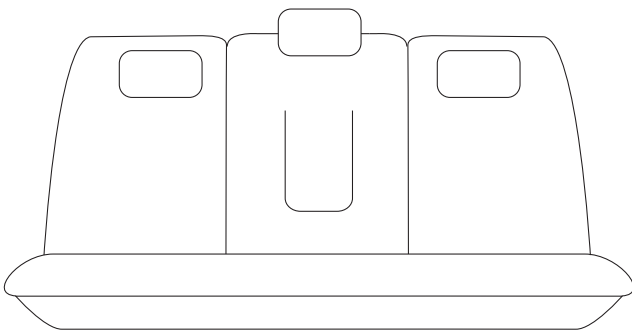
923



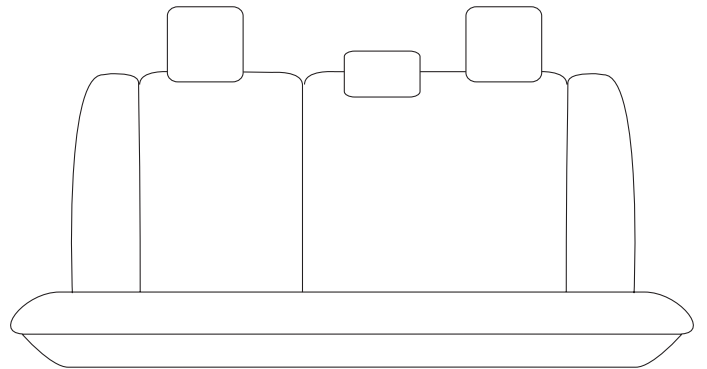
924



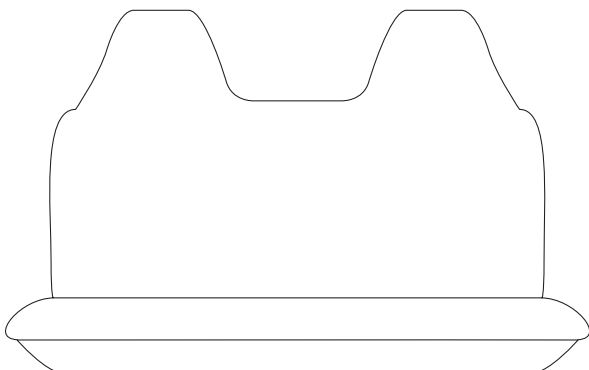
925



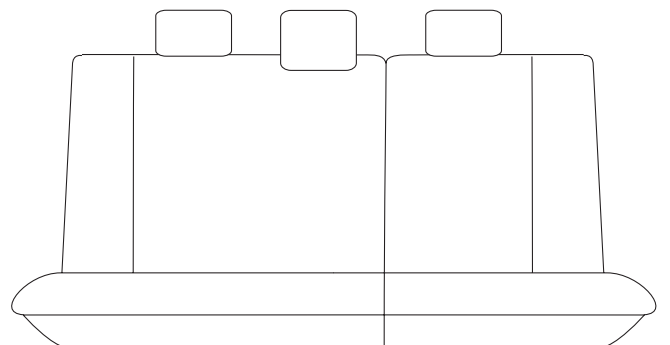
926



927

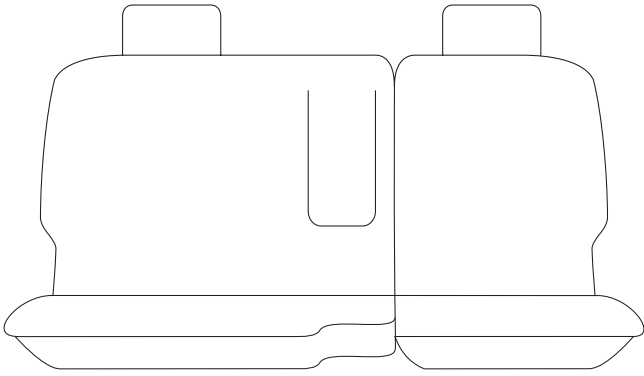


928

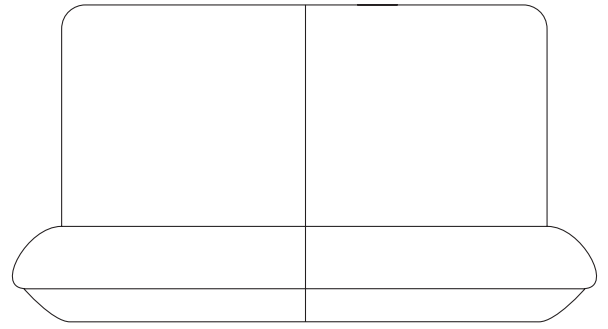


MIDDLE AND REAR SEATS

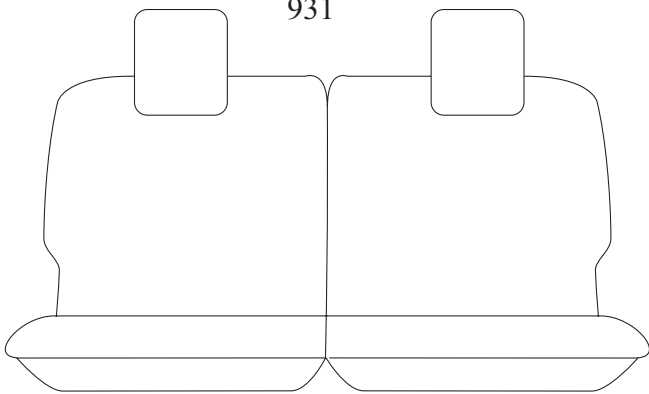
929



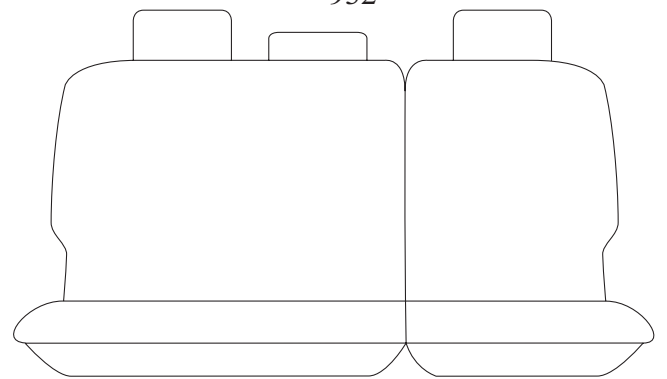
930



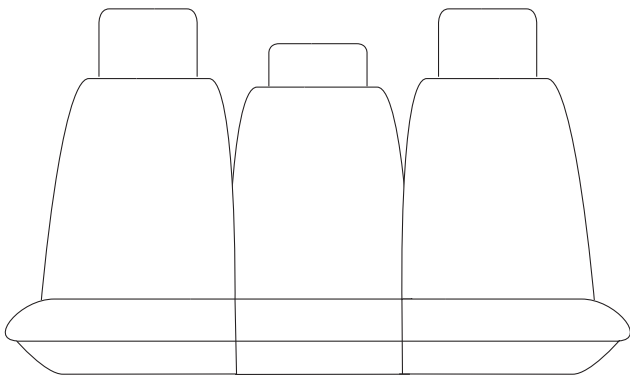
931



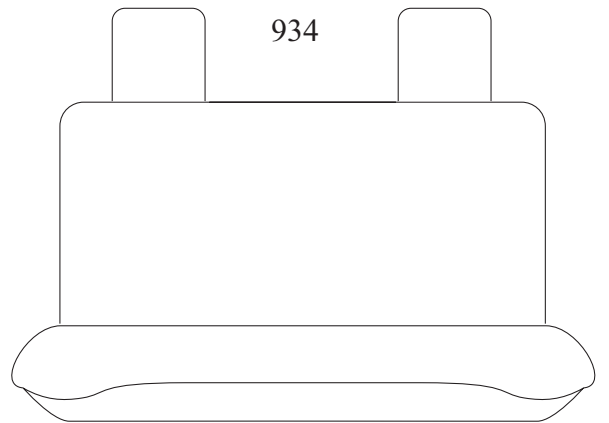
932



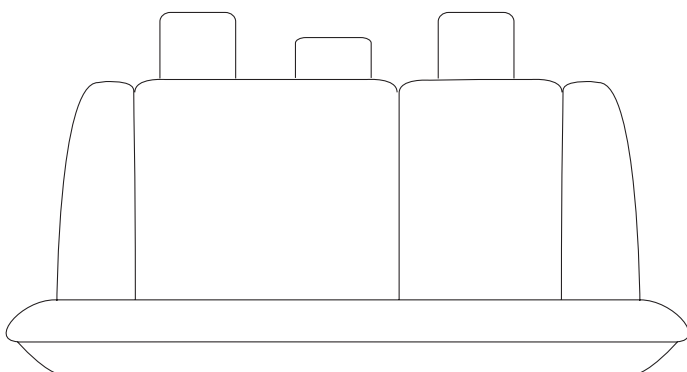
933



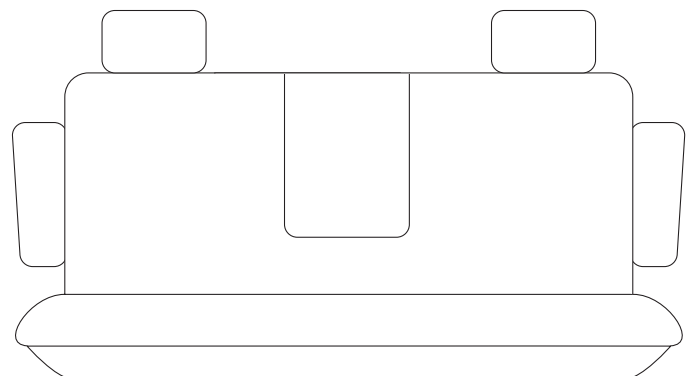
934



935

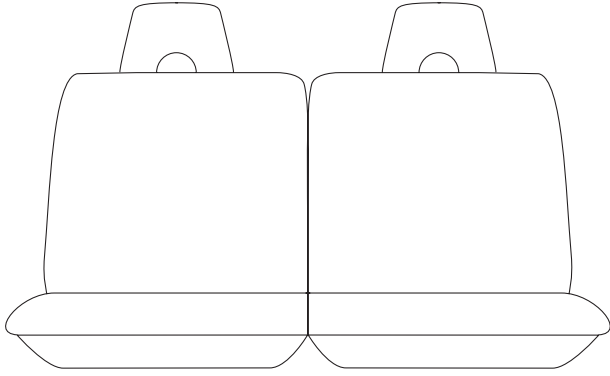


936

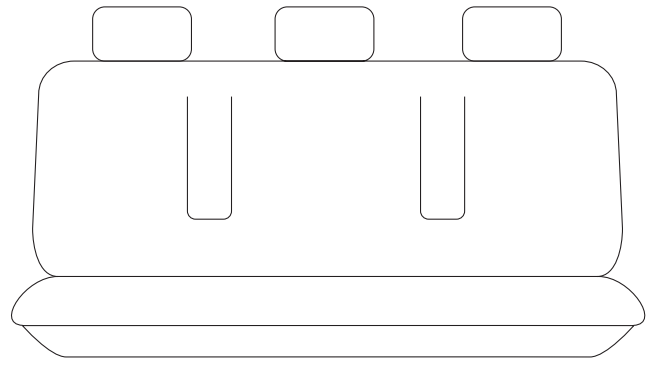


MIDDLE AND REAR SEATS

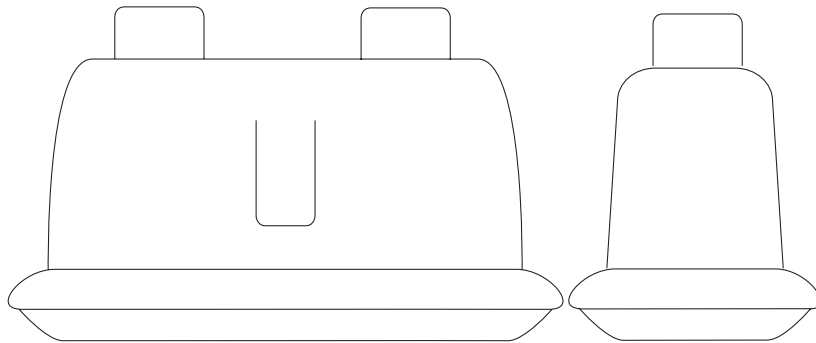
937



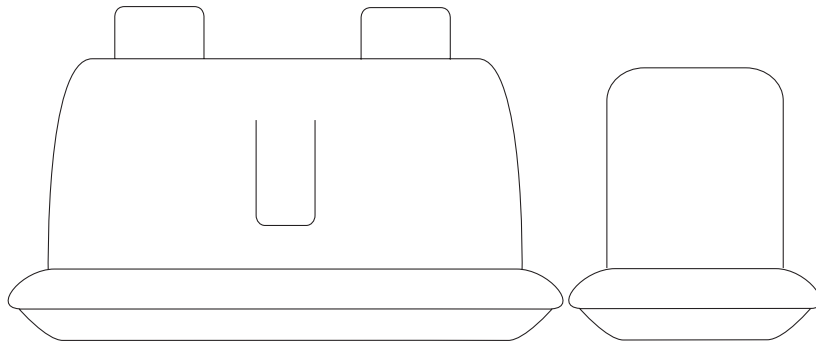
938



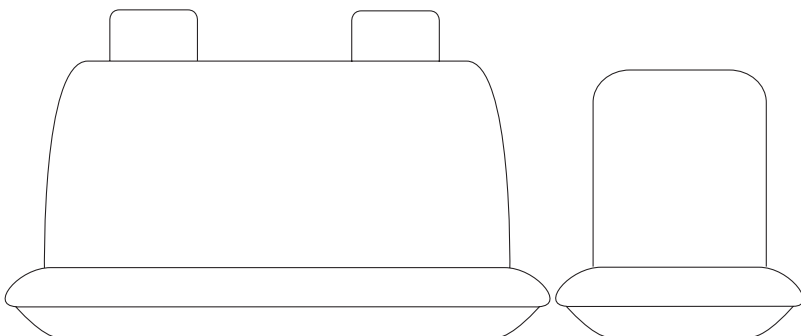
939



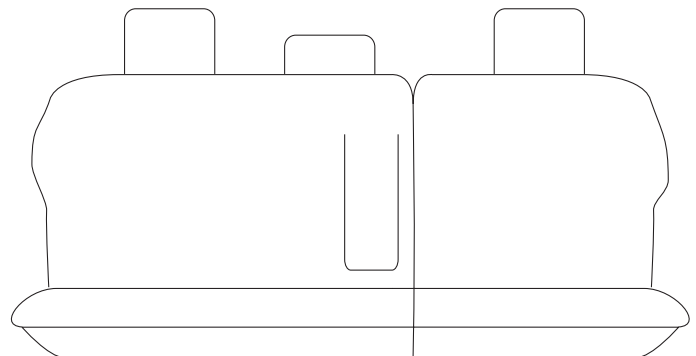
940



941

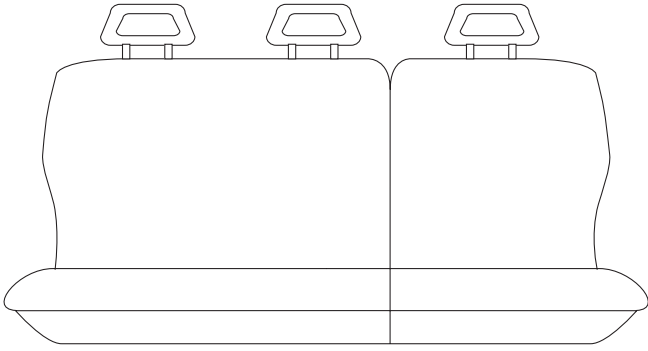


942

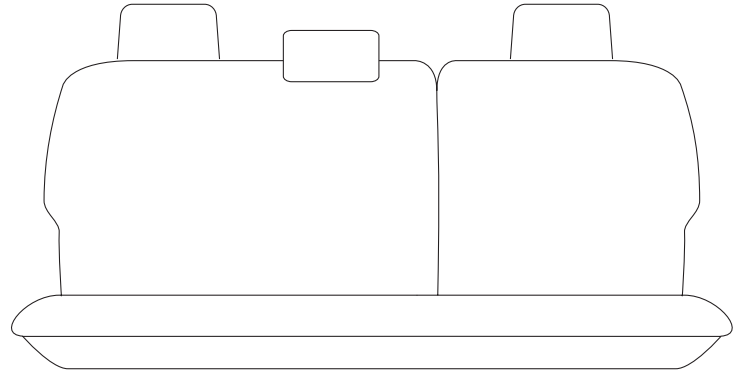


MIDDLE AND REAR SEATS

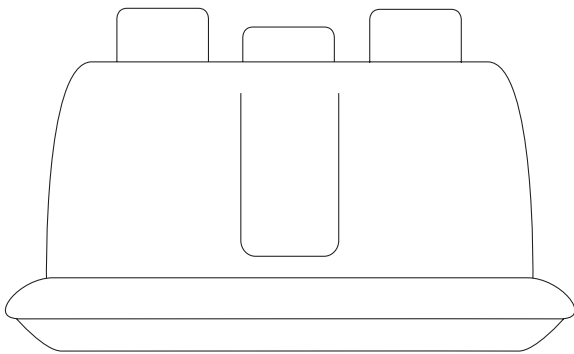
943



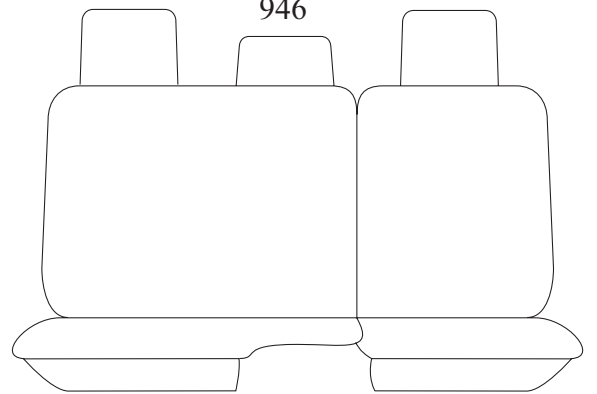
944



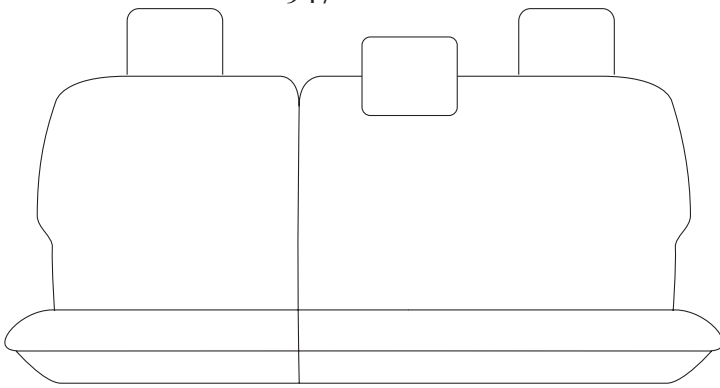
945



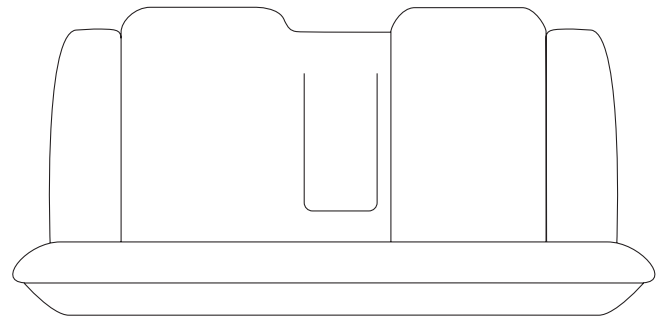
946



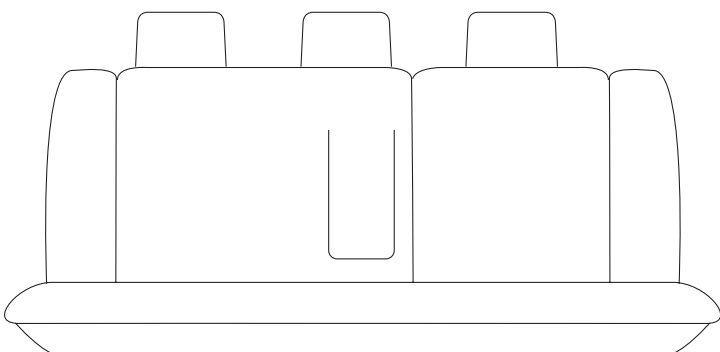
947



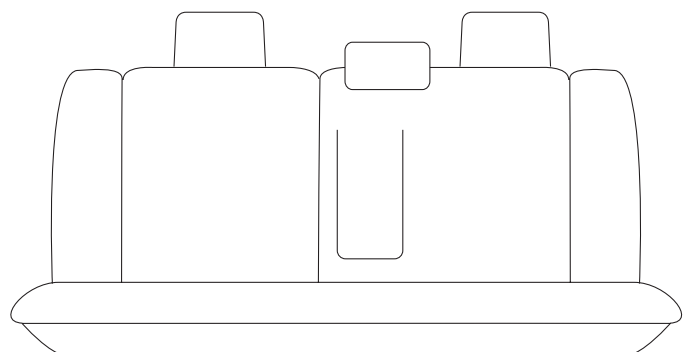
948



949

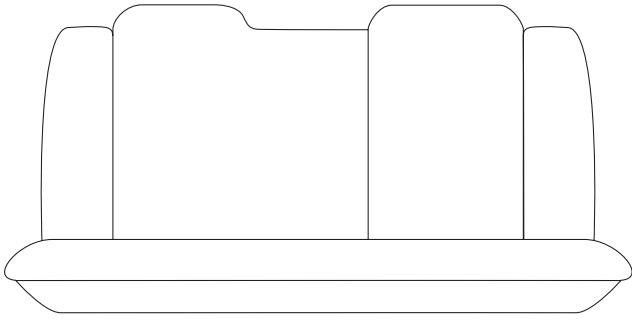


950

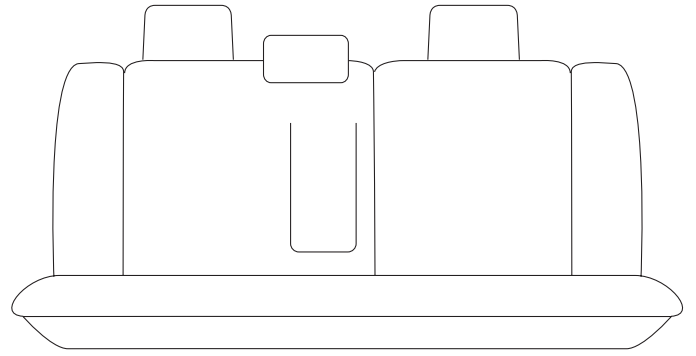


MIDDLE AND REAR SEATS

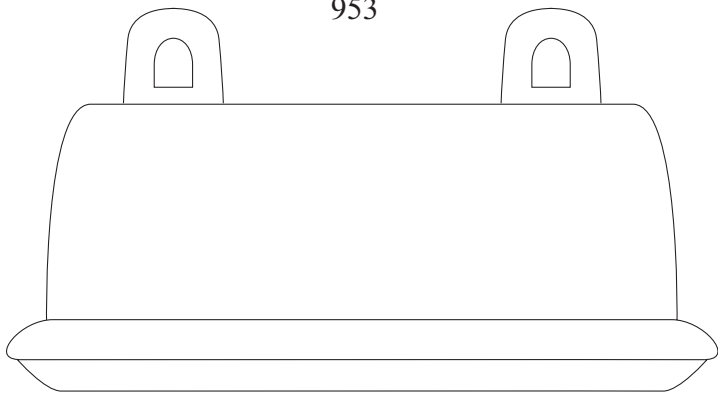
951



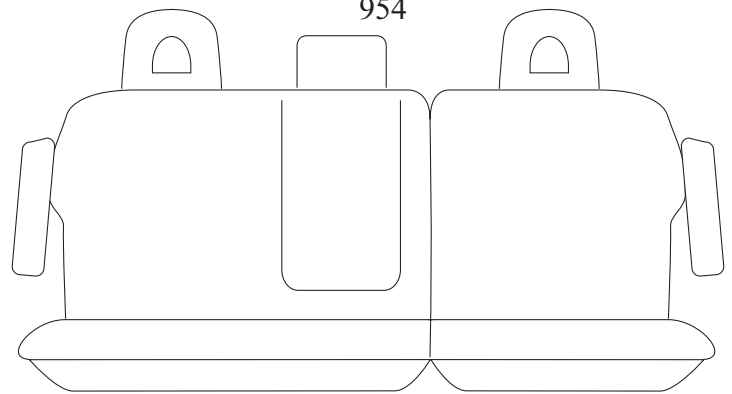
952



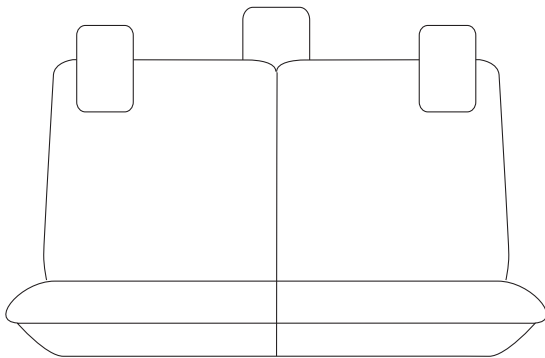
953



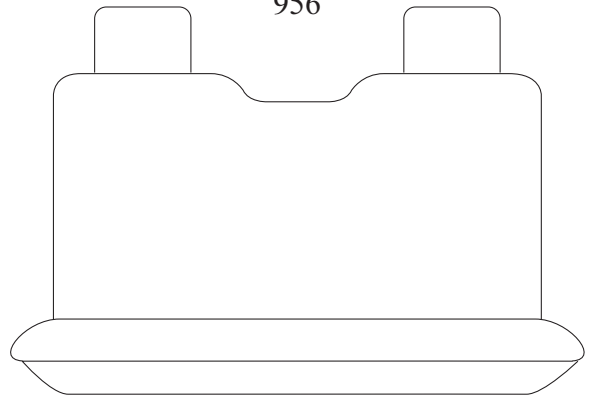
954



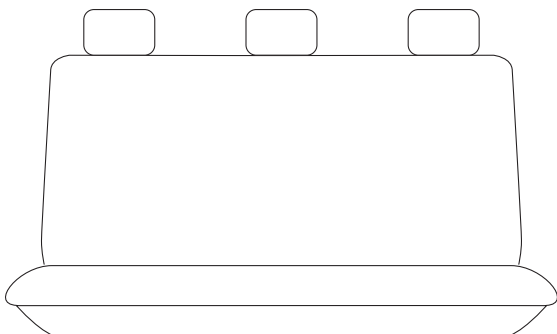
955



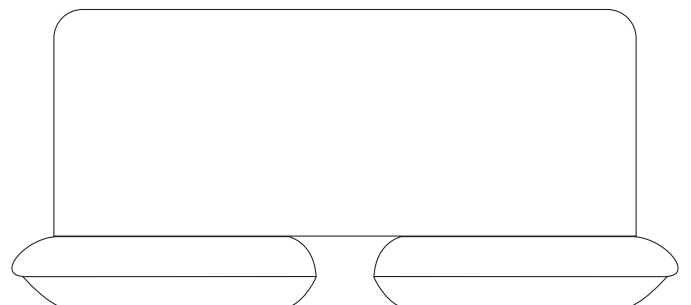
956



957

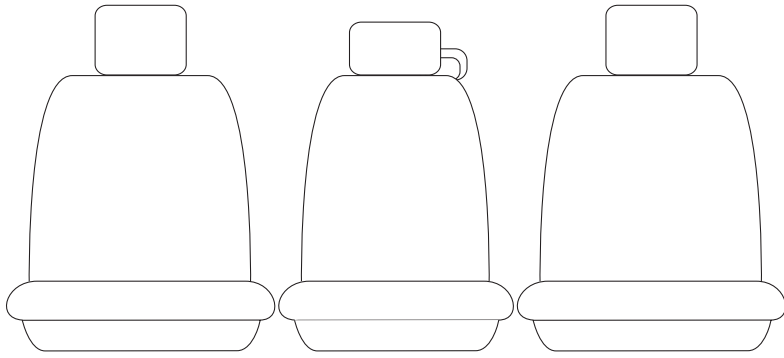


958

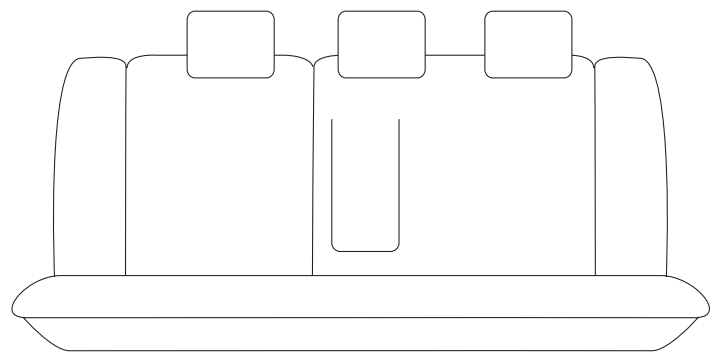


MIDDLE AND REAR SEATS

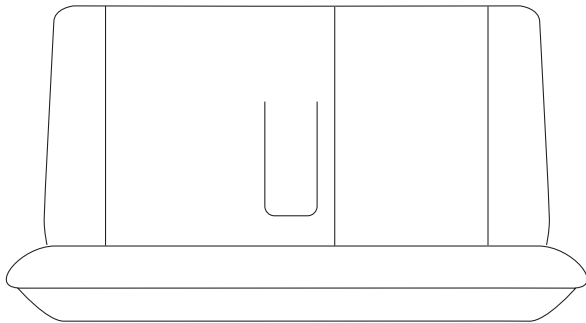
959



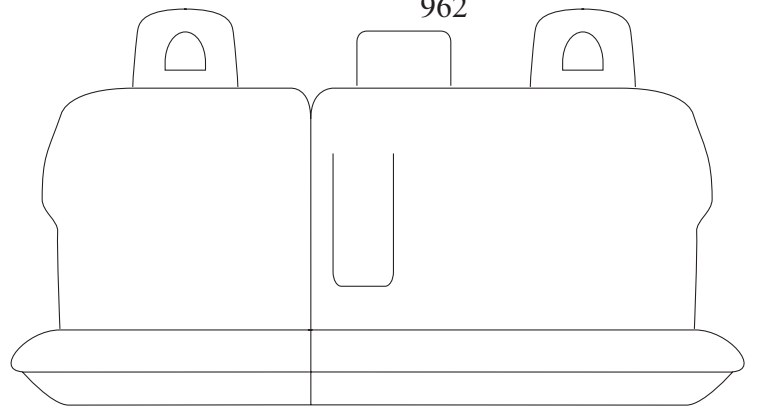
960



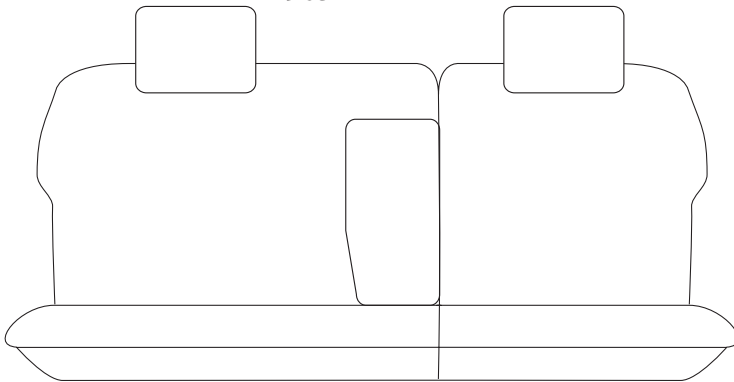
961



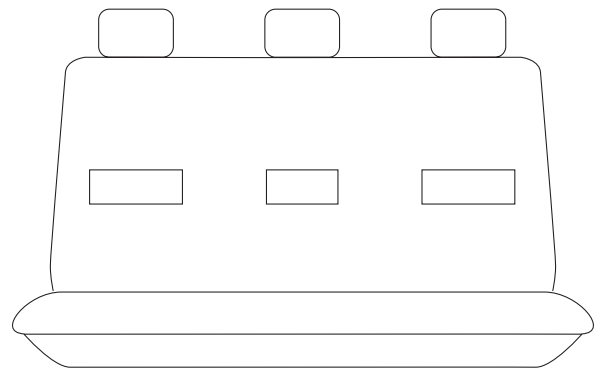
962



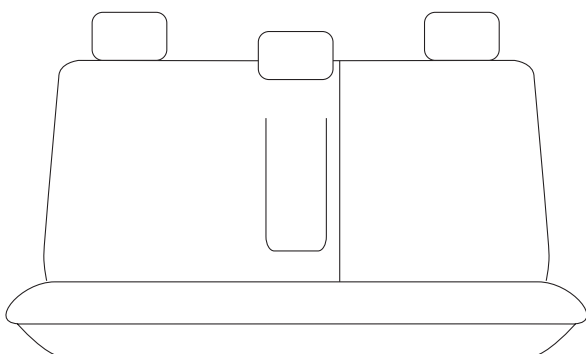
963



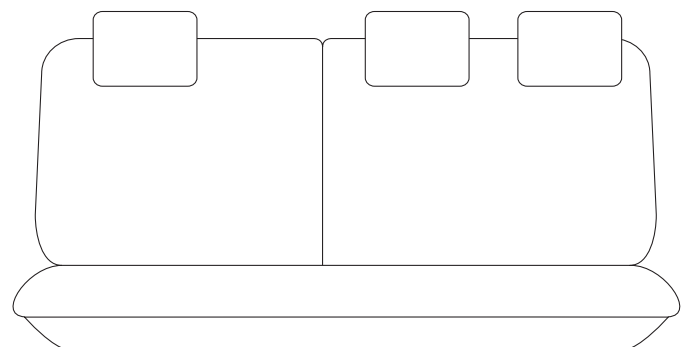
964



965

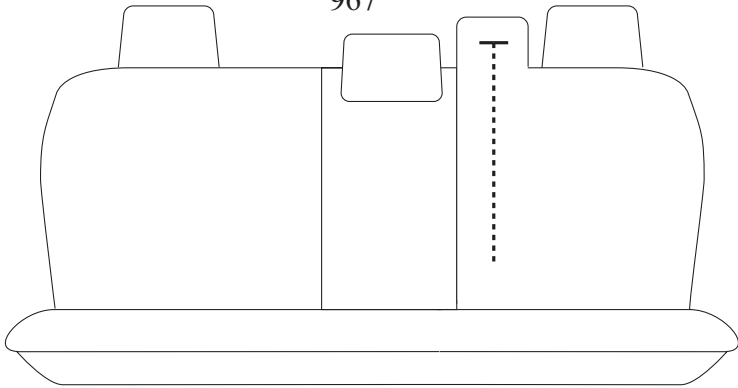


966

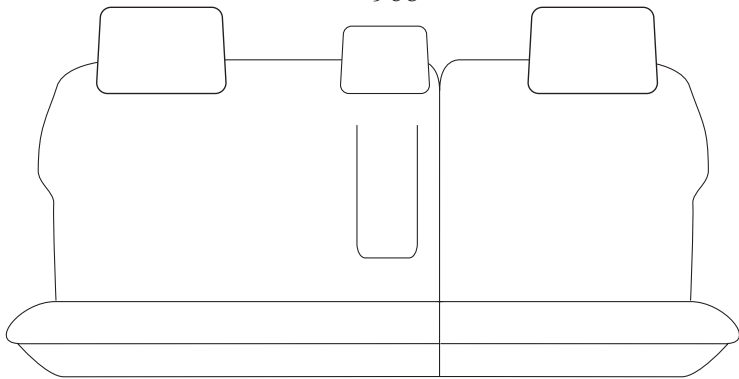


MIDDLE AND REAR SEATS

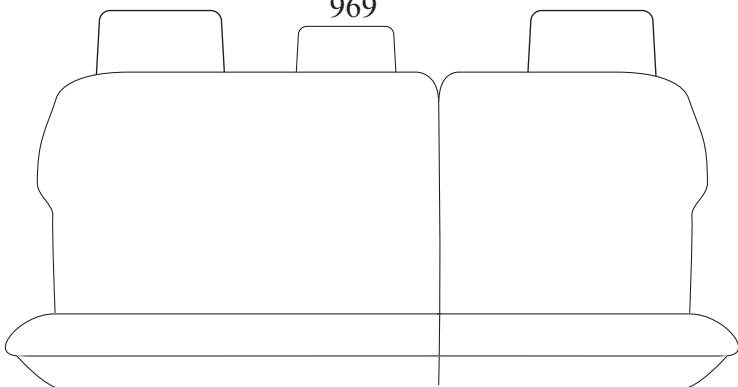
967



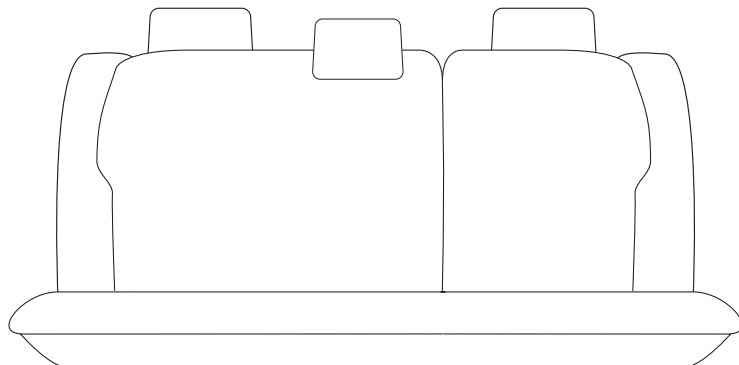
968



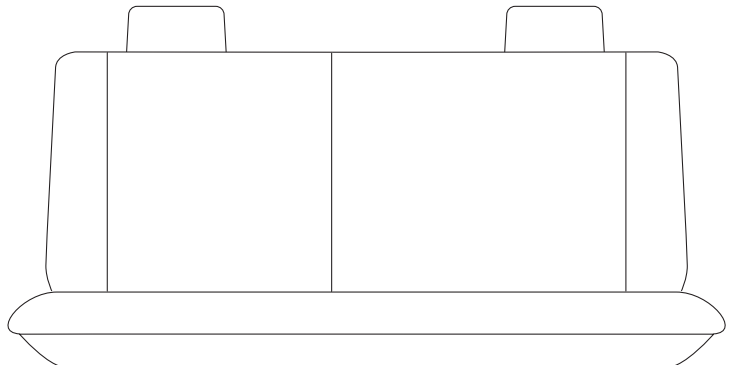
969



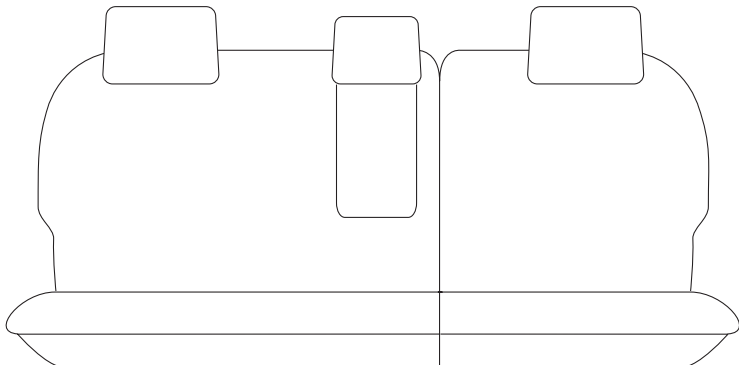
970



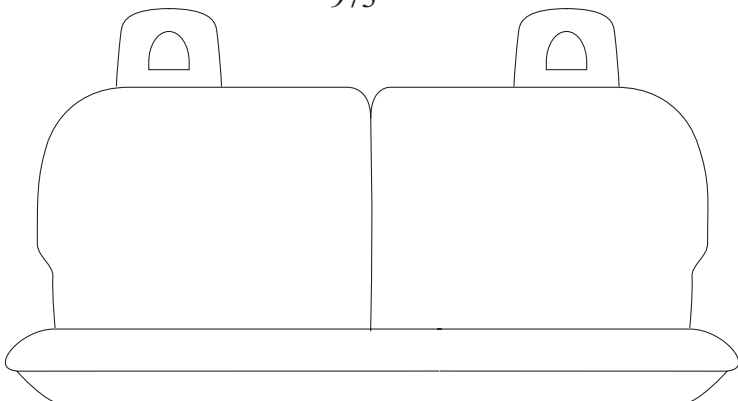
971



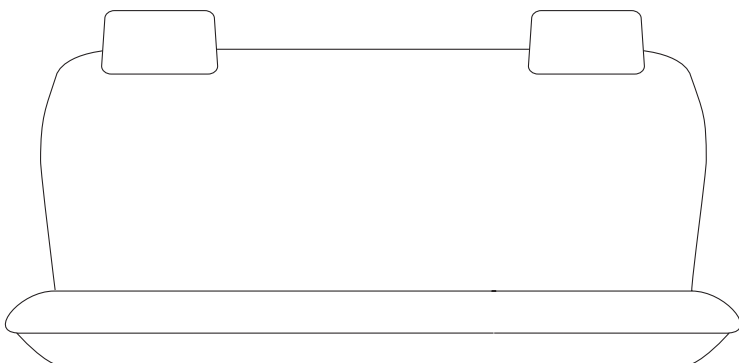
972



973

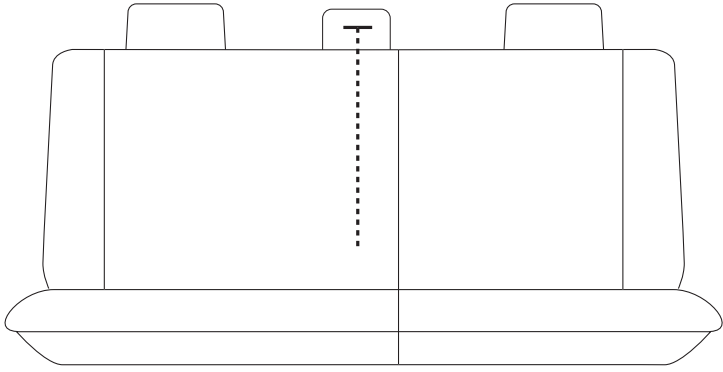


974

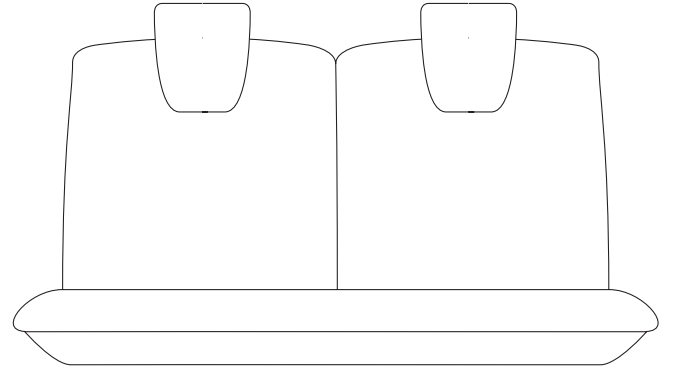


MIDDLE AND REAR SEATS

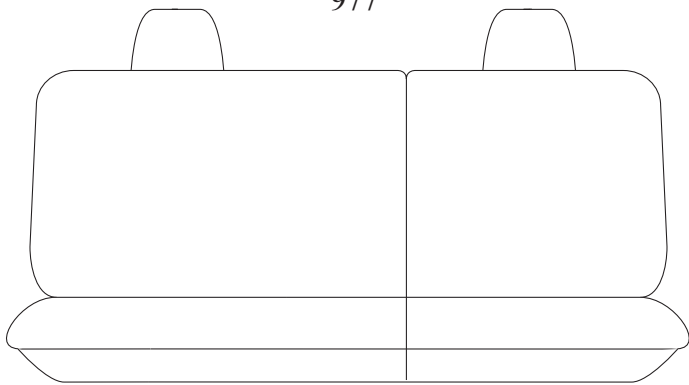
975



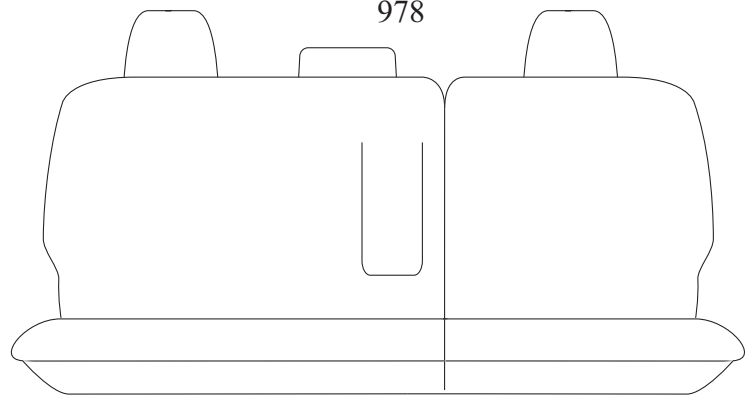
976



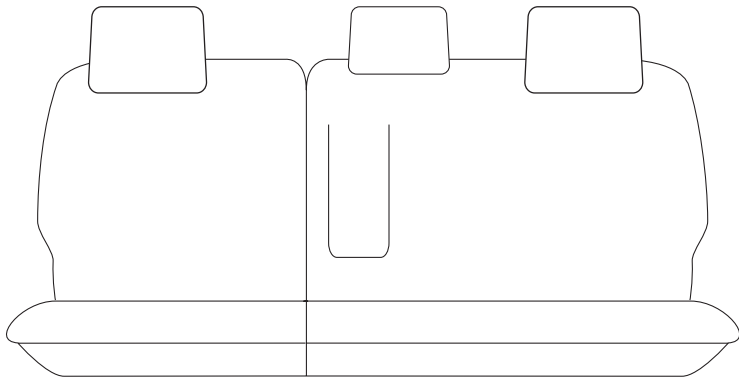
977



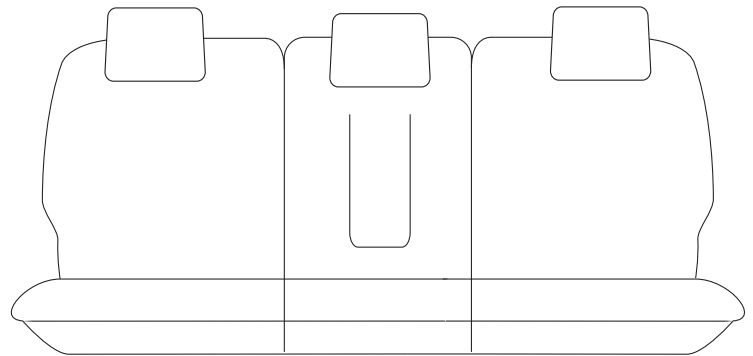
978



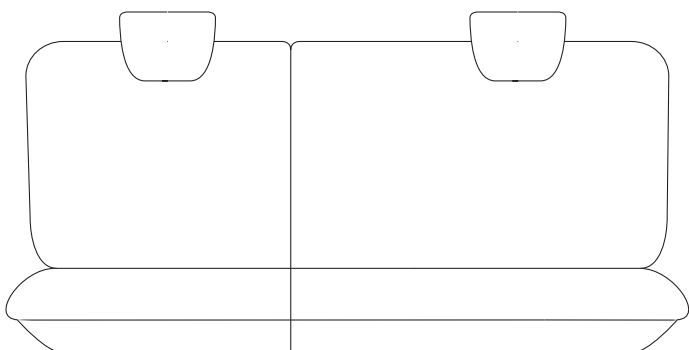
979



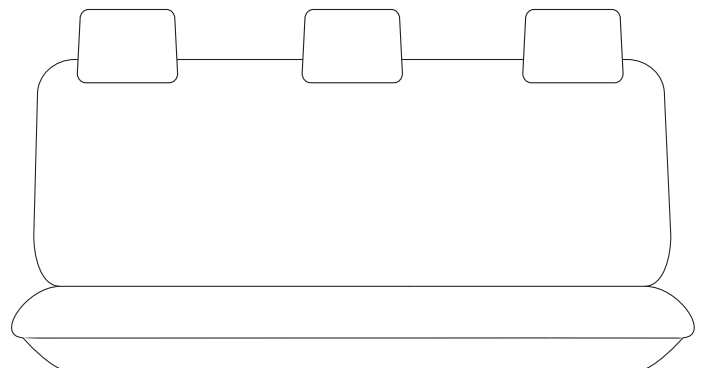
980



981

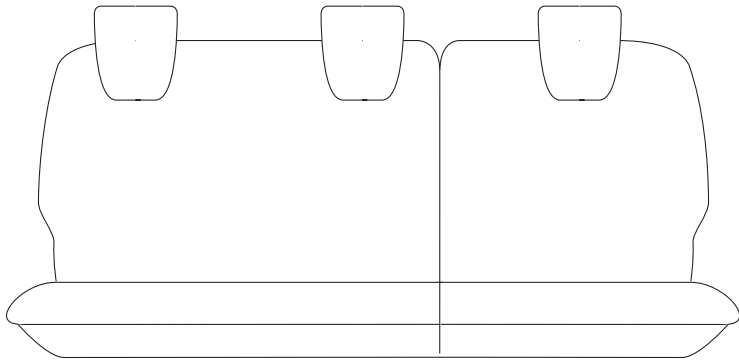


982

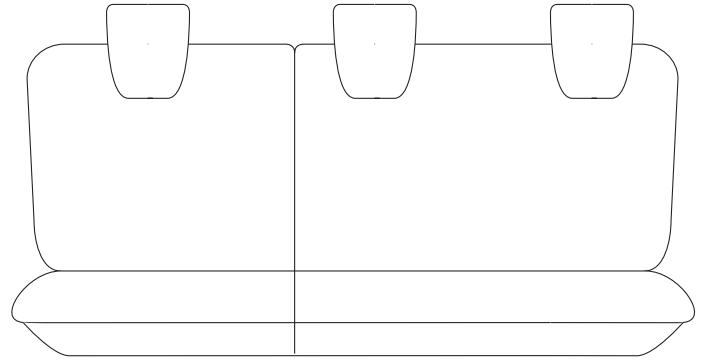


MIDDLE AND REAR SEATS

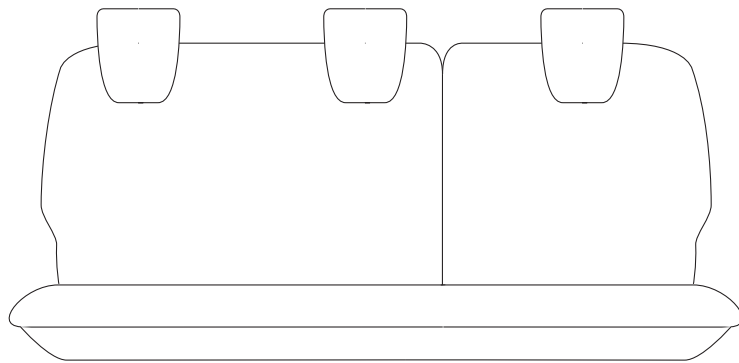
983



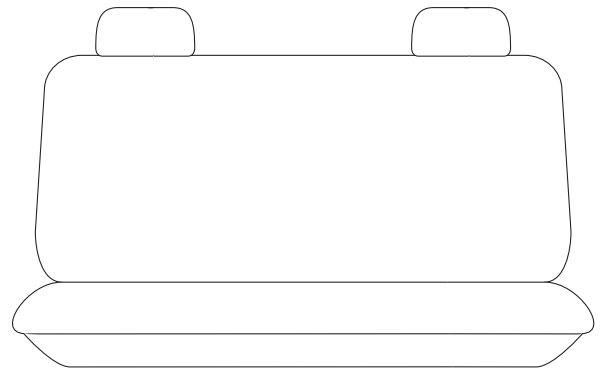
984



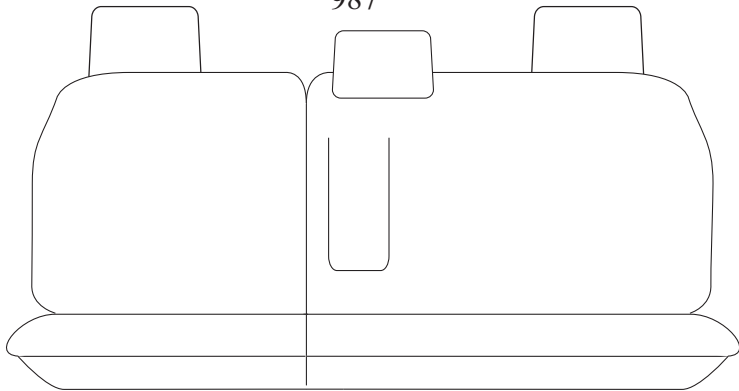
985



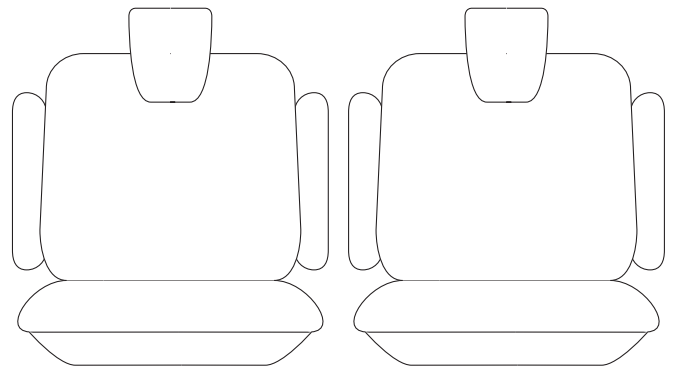
986



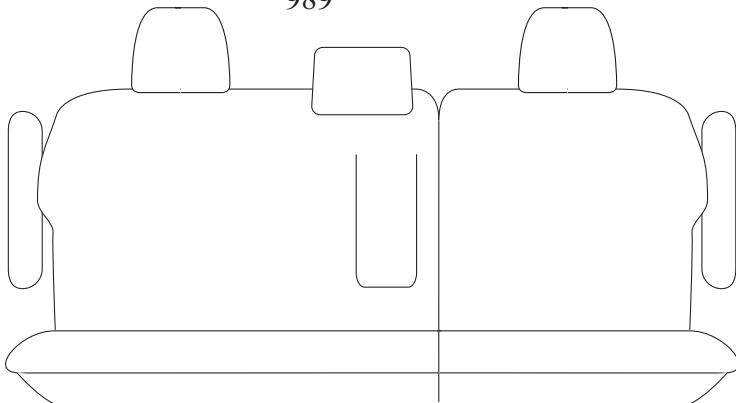
987



988

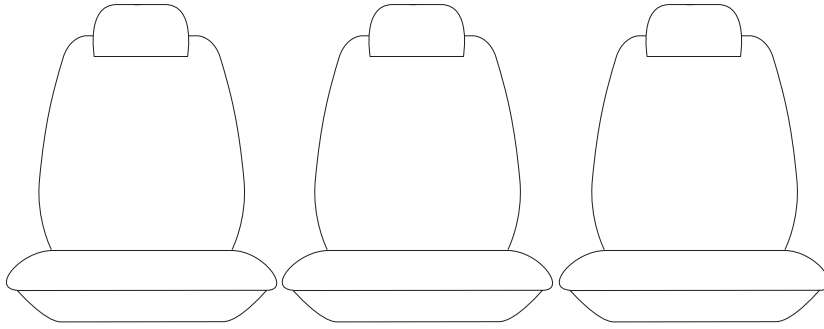


989

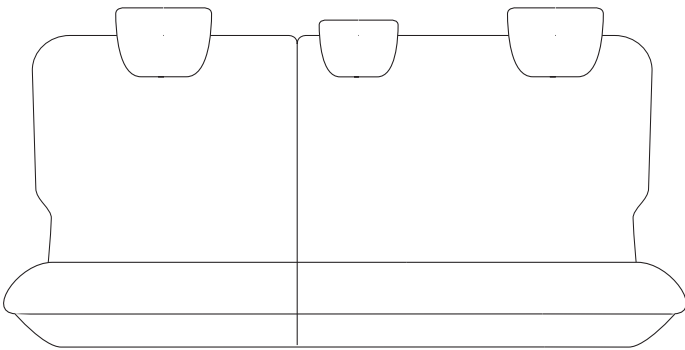


MIDDLE AND REAR SEATS

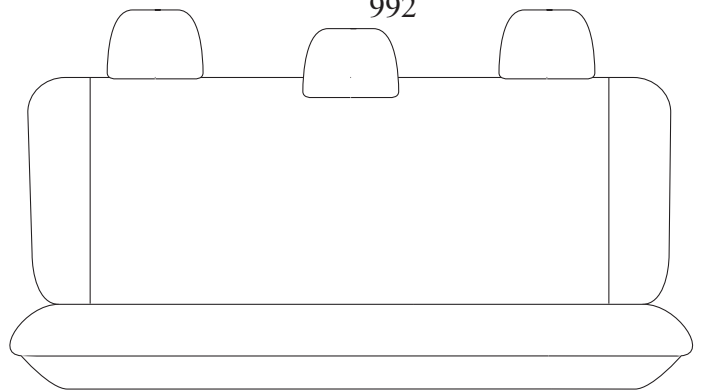
990



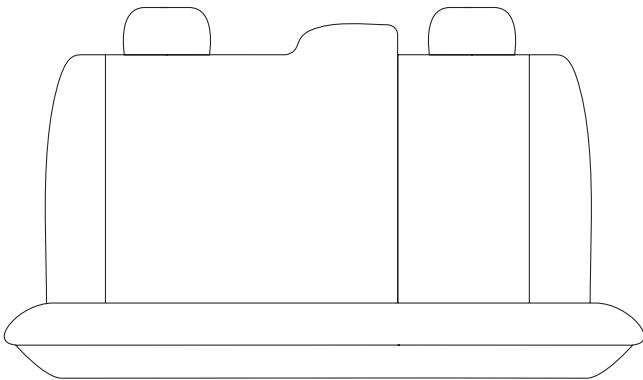
991



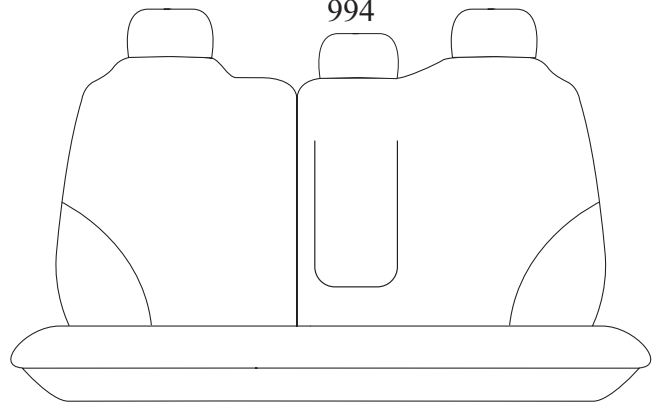
992



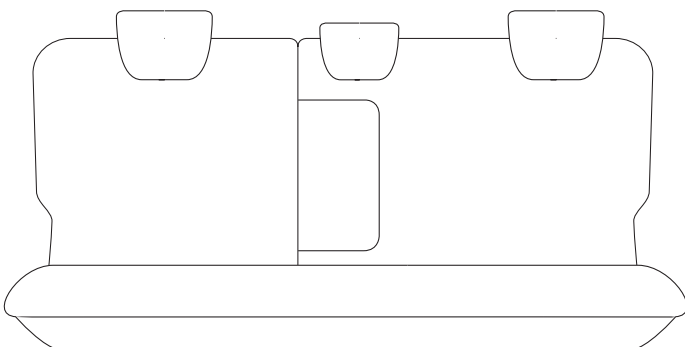
993



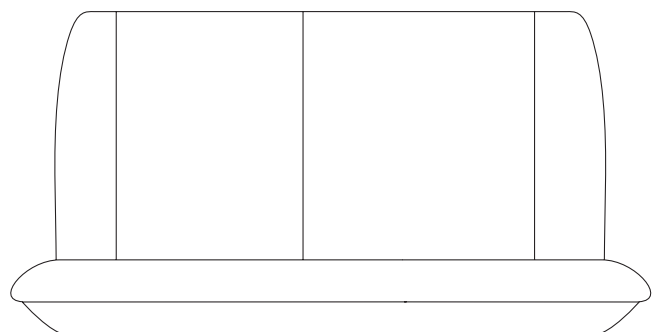
994



995

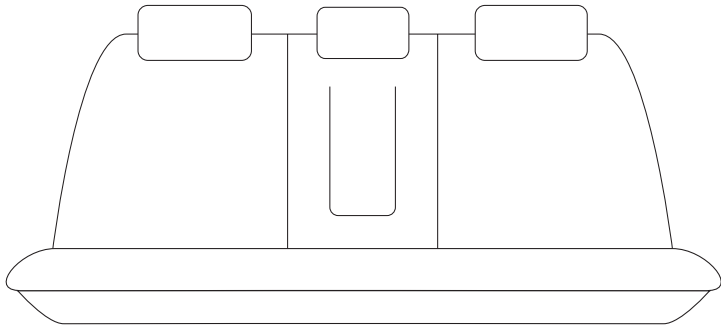


996

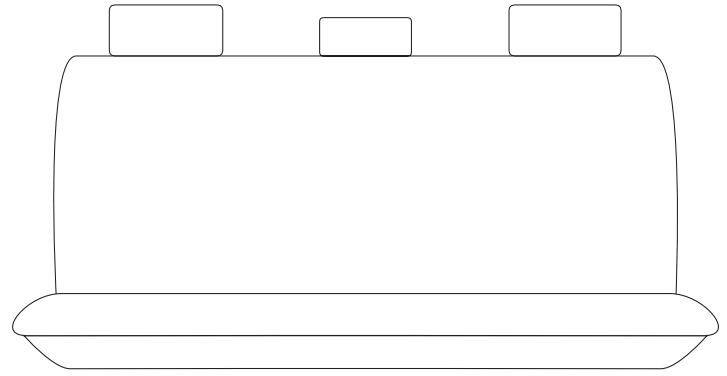


MIDDLE AND REAR SEATS

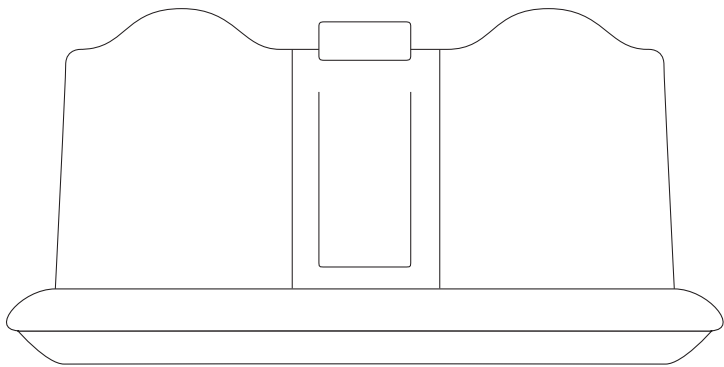
997



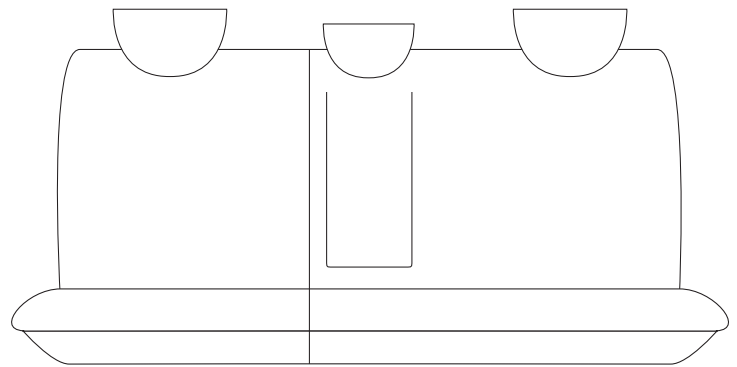
998



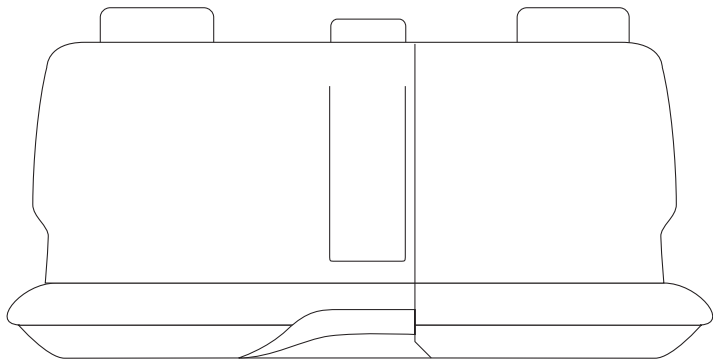
999



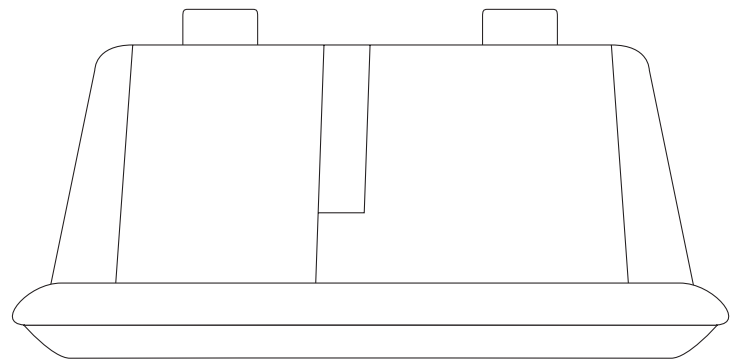
1000



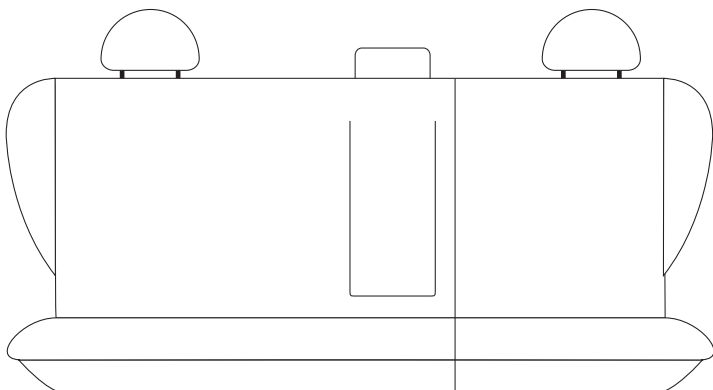
1001



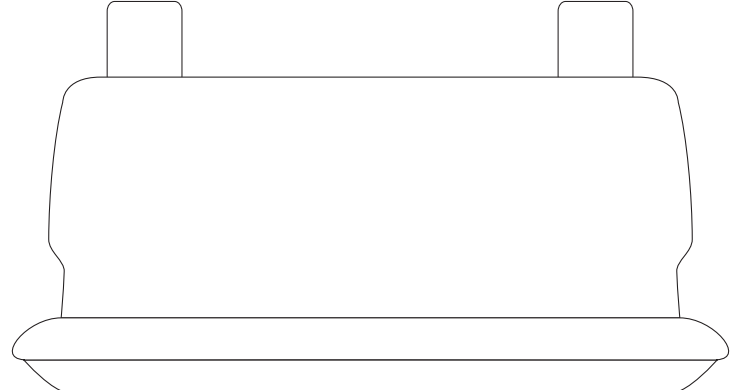
1002



1003

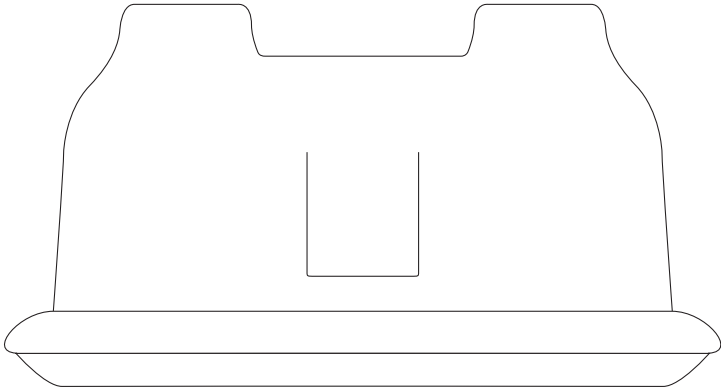


1004

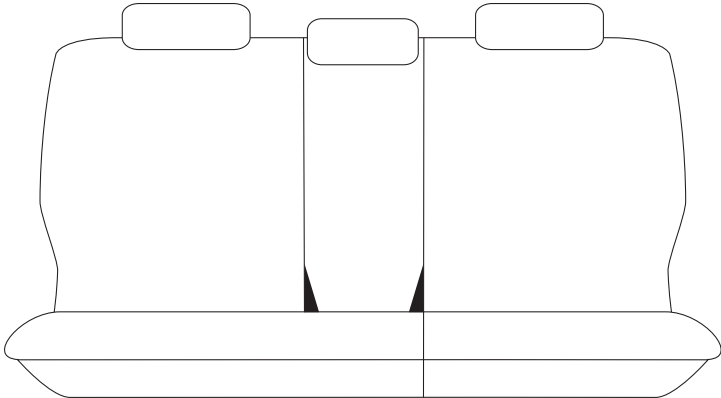


MIDDLE AND REAR SEATS

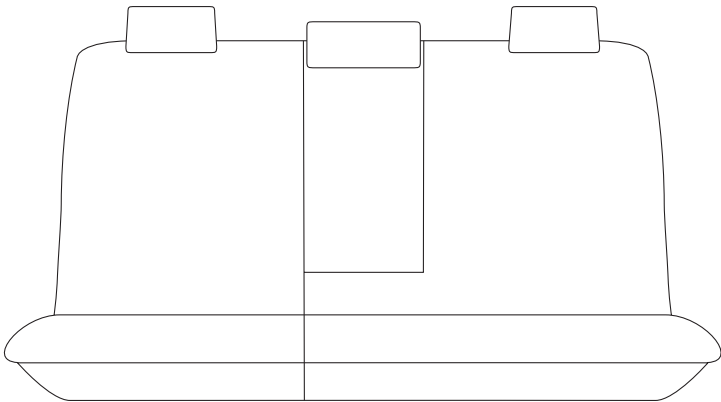
1005



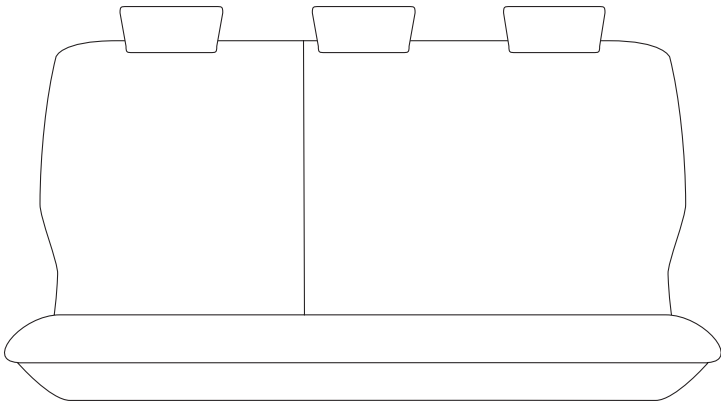
1006



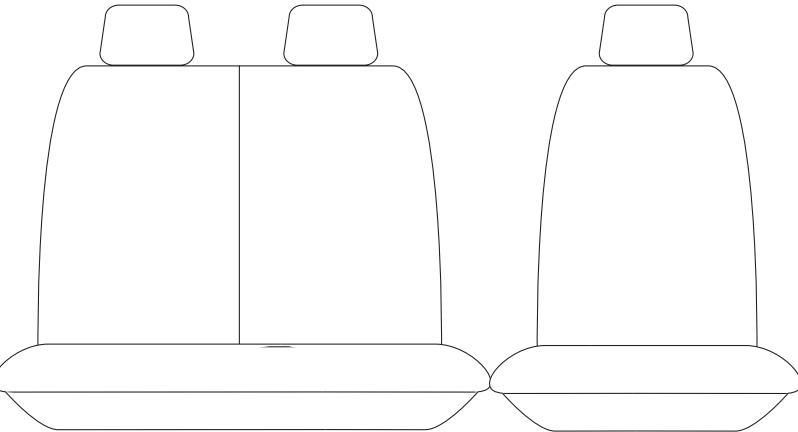
1007



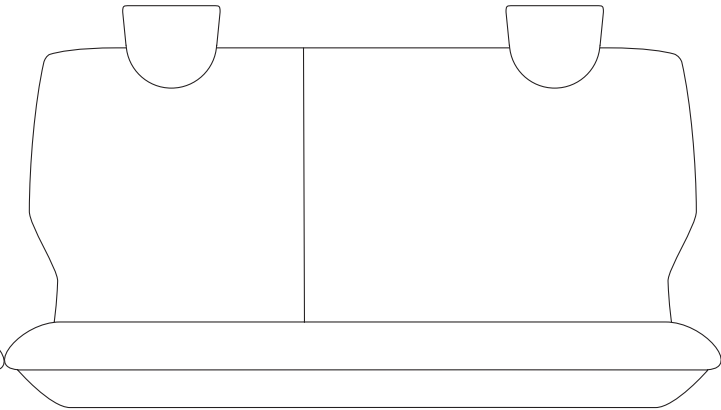
1008



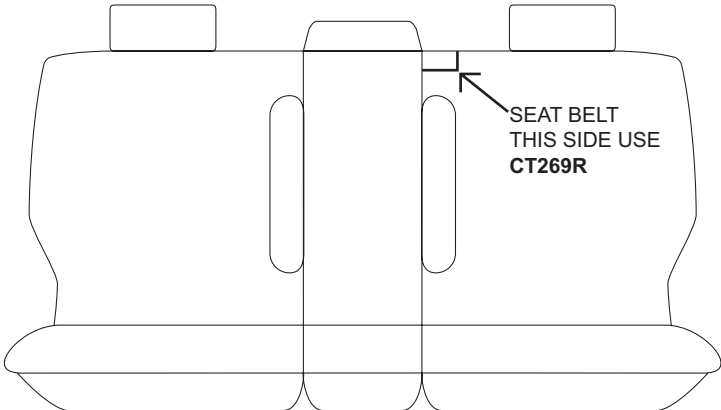
1009



1010

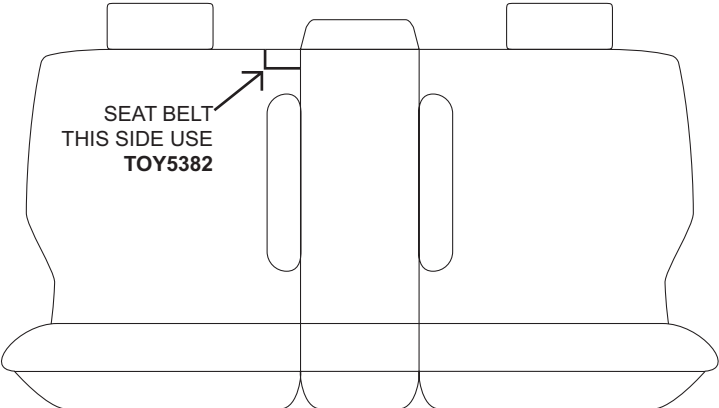


1011(A)

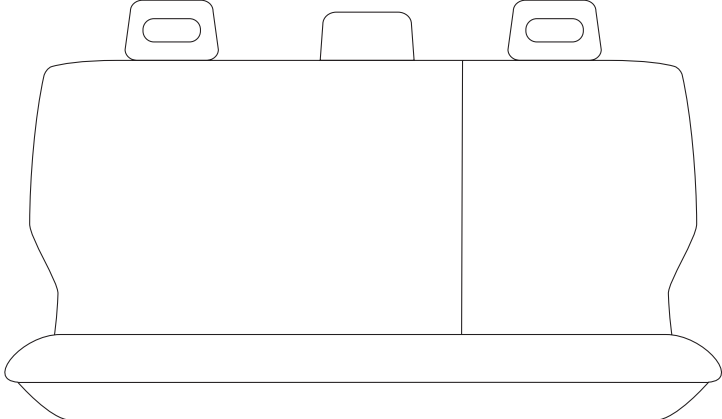


MIDDLE AND REAR SEATS

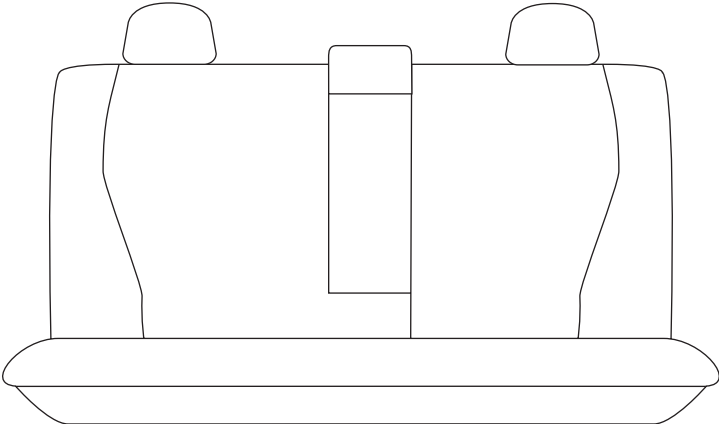
1011(B)



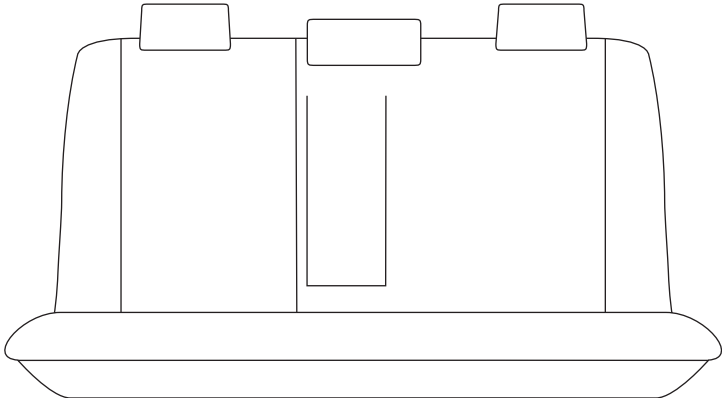
1012



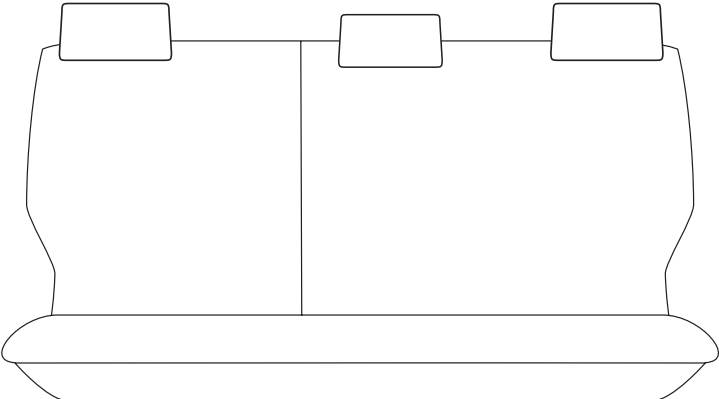
1013



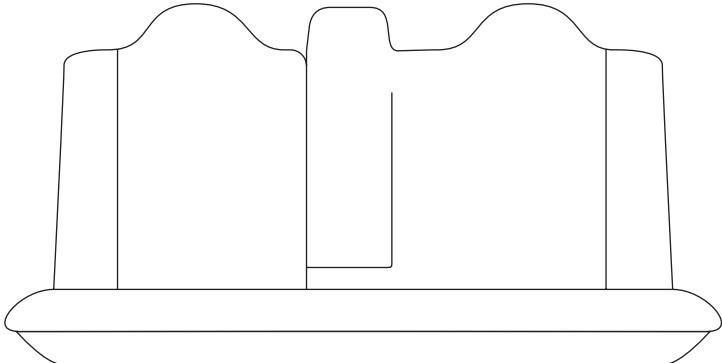
1014



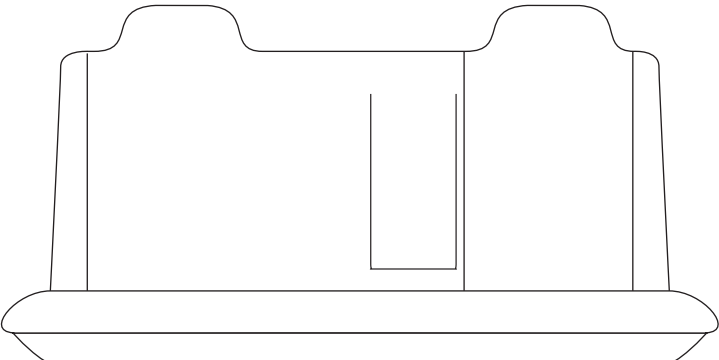
1015



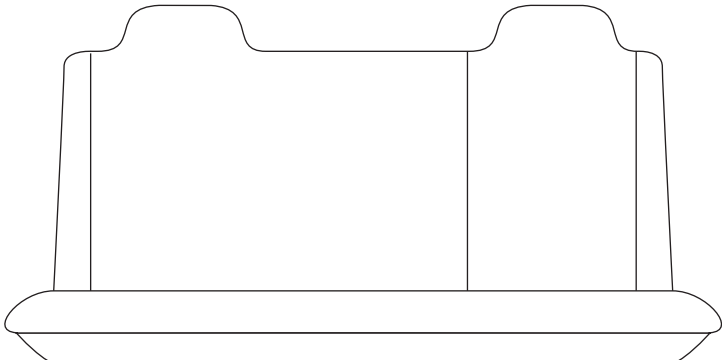
1016



1017

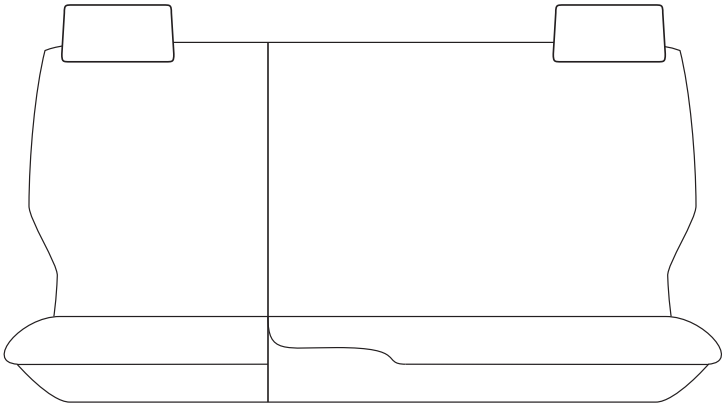


1018

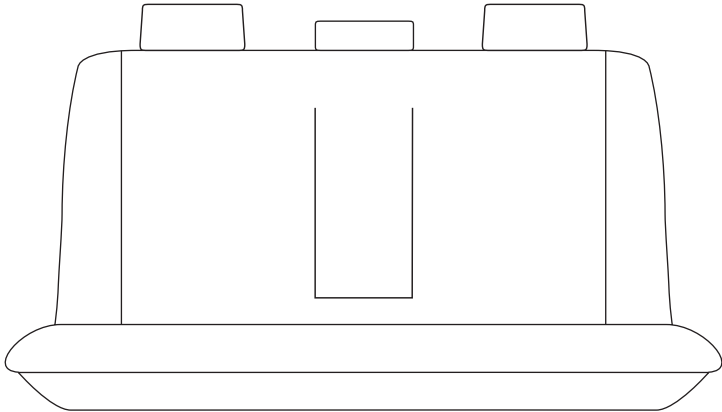


MIDDLE AND REAR SEATS

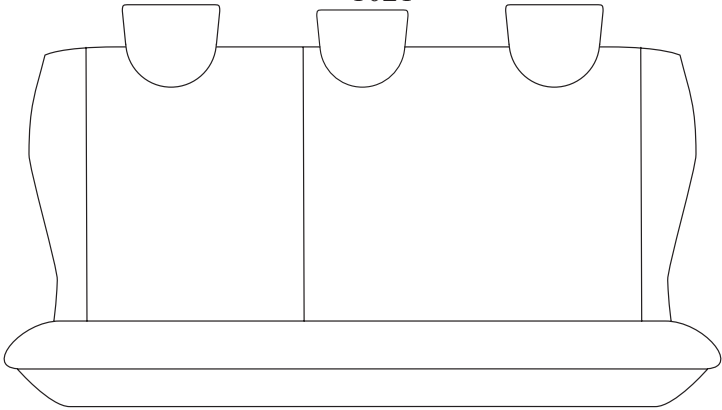
1019



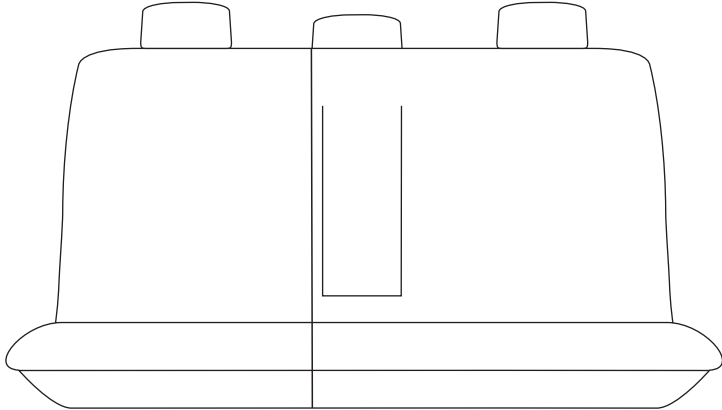
1020



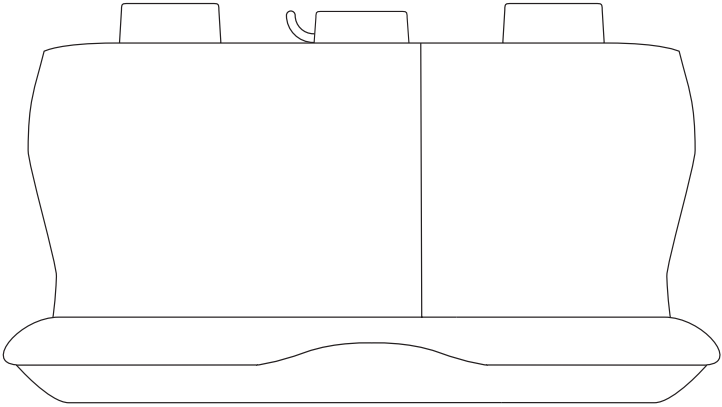
1021



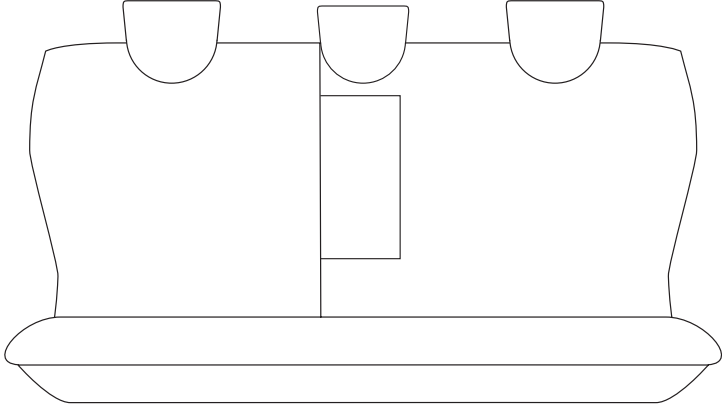
1022



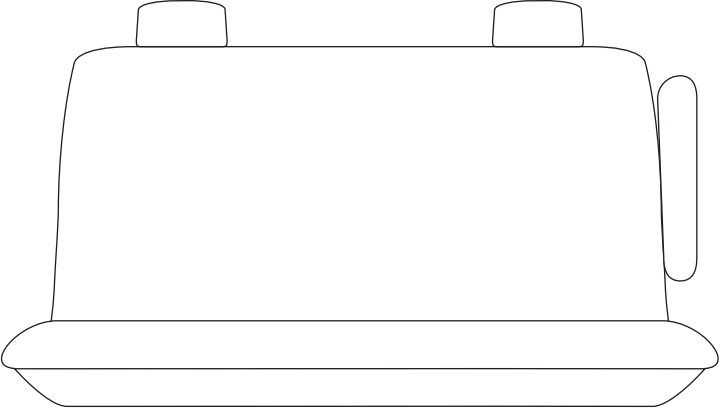
1023



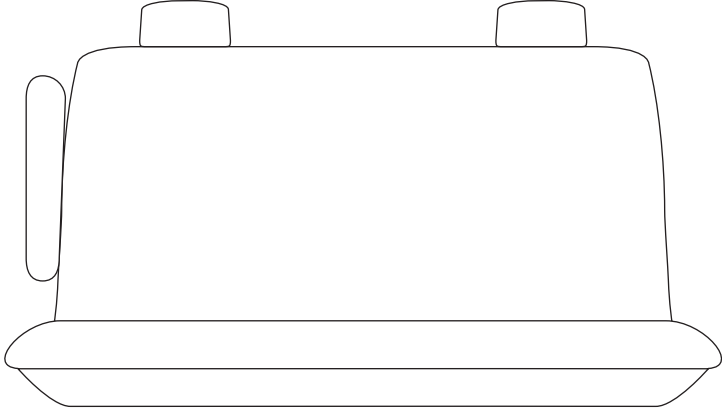
1024



1025

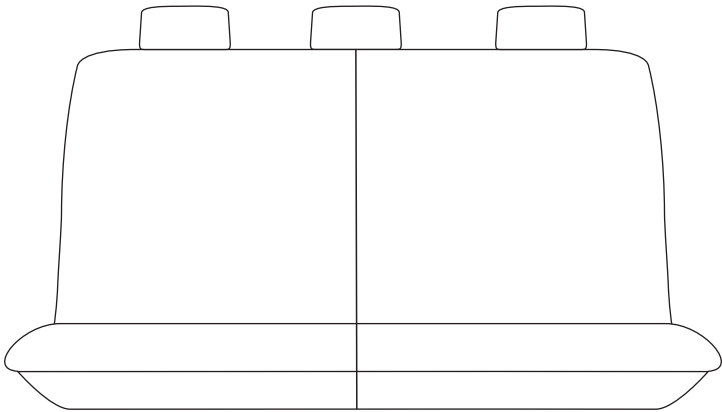


1026

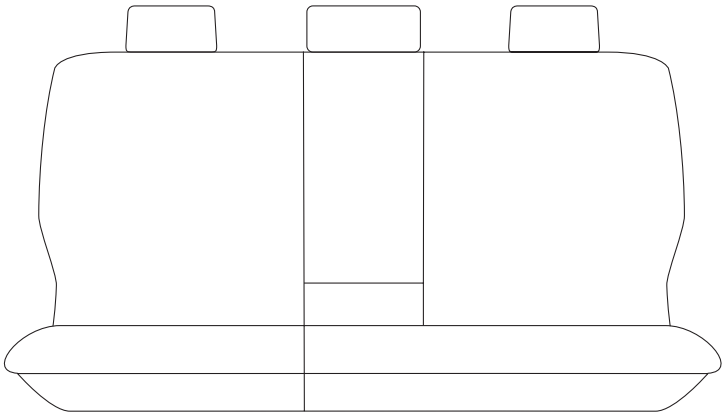


MIDDLE AND REAR SEATS

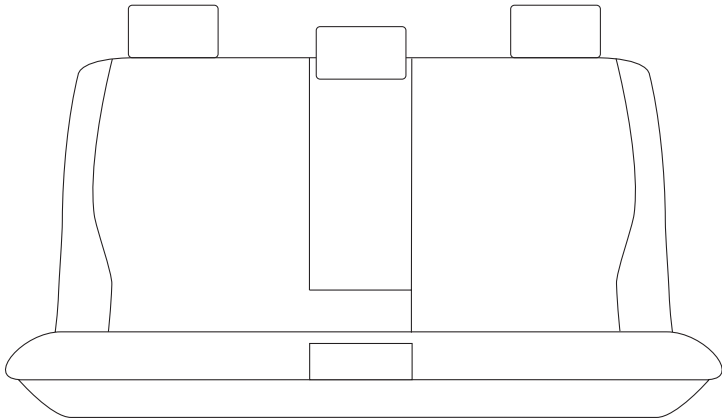
1027



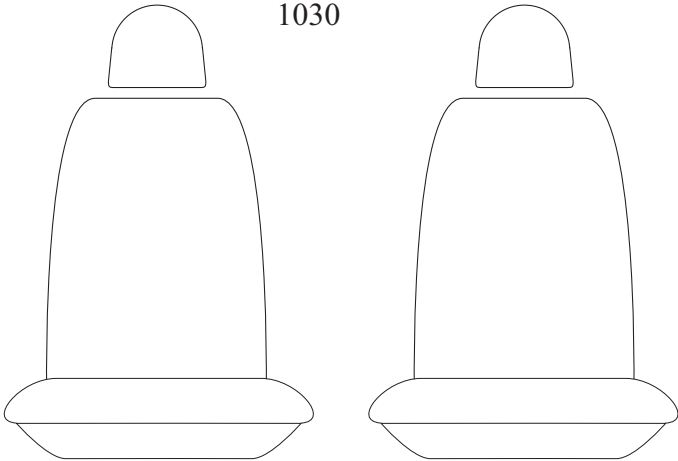
1028



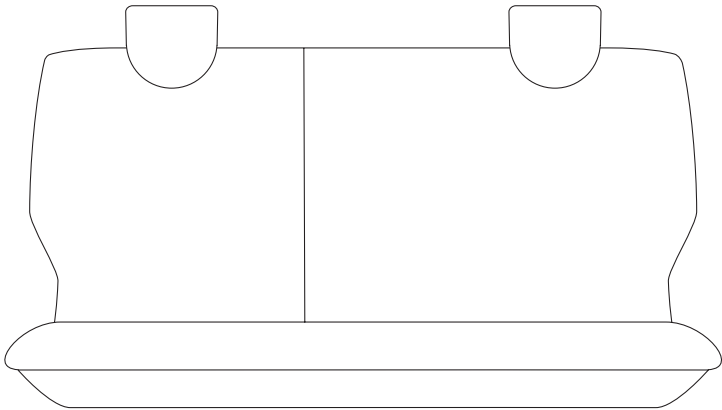
1029



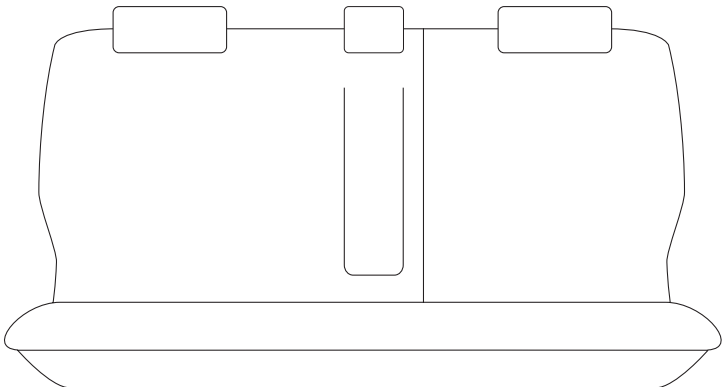
1030



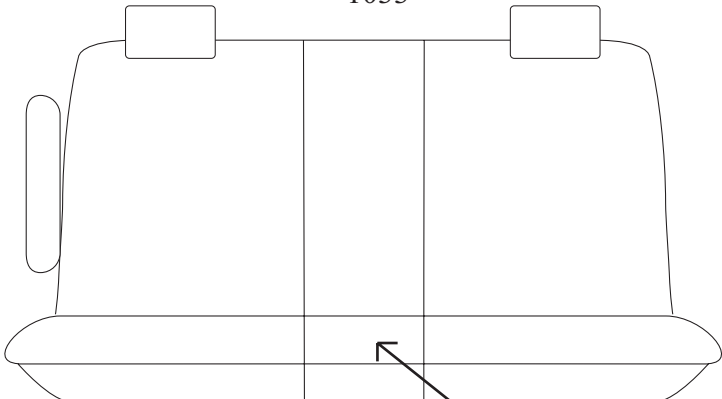
1031



1032



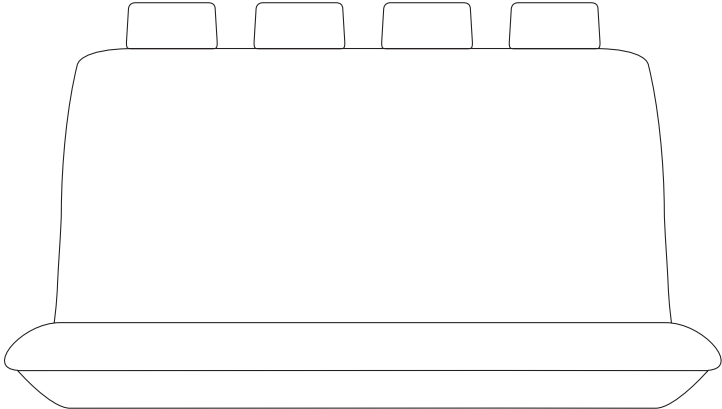
1033



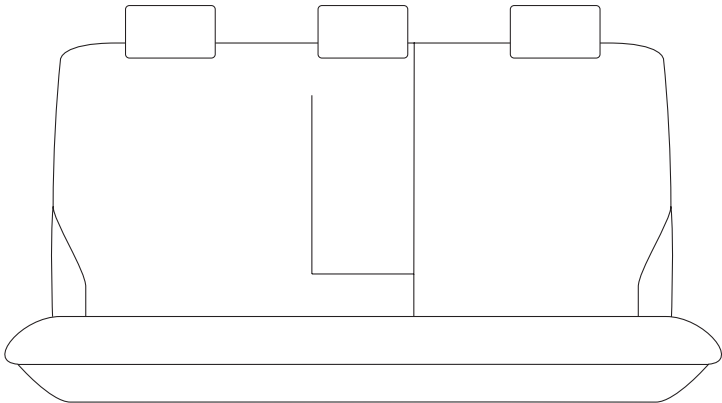
CONSOLE

MIDDLE AND REAR SEATS

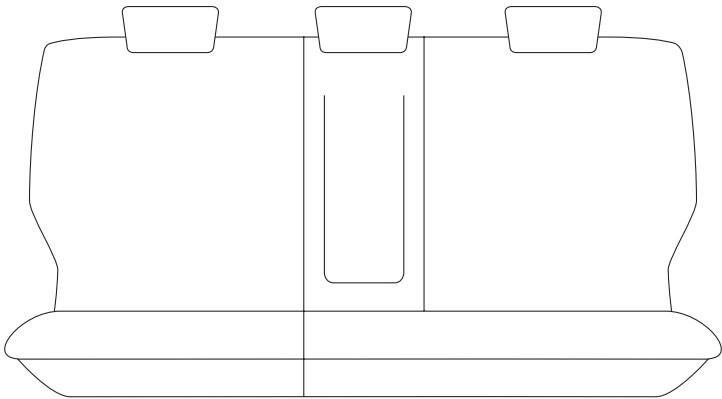
1034



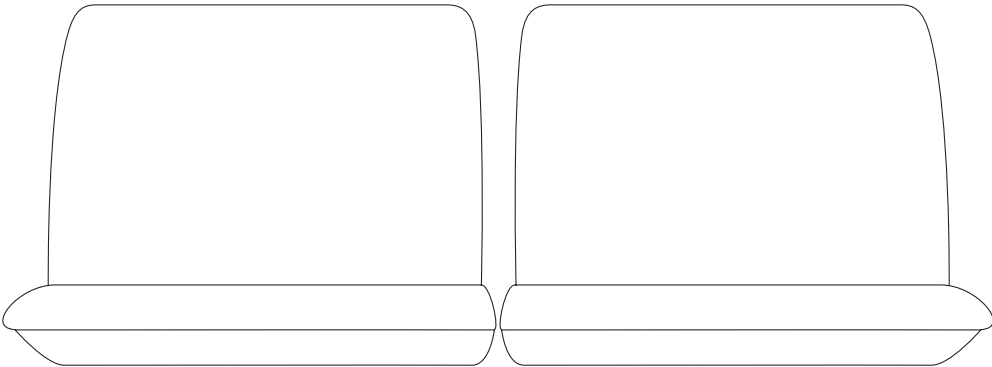
1035



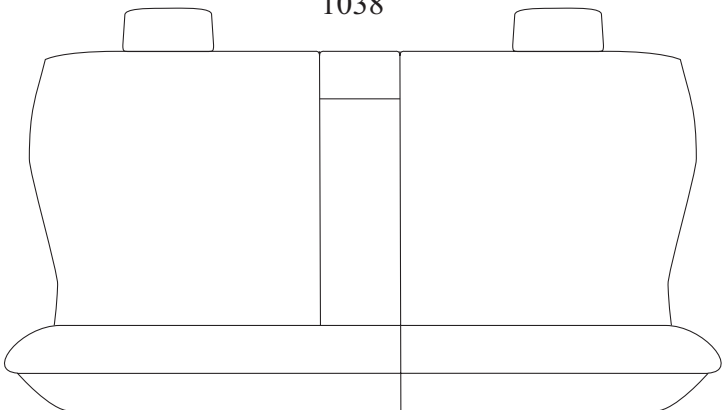
1036



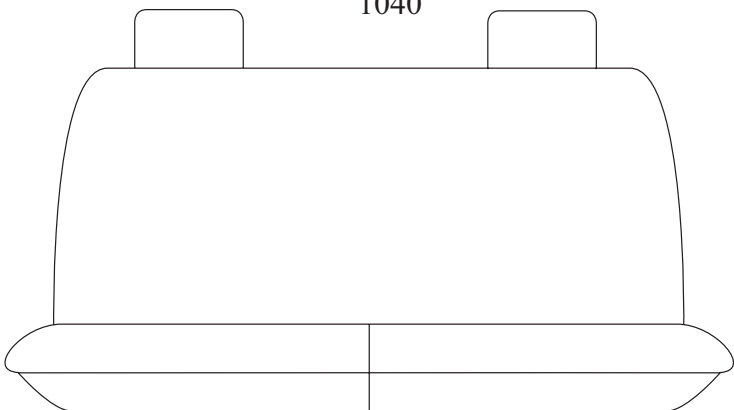
1037



1038

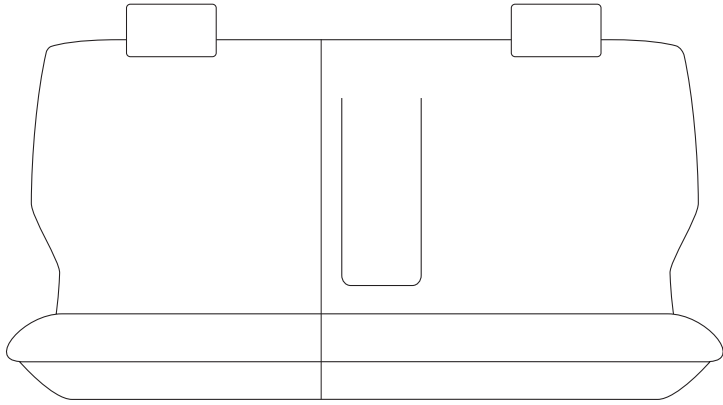


1040

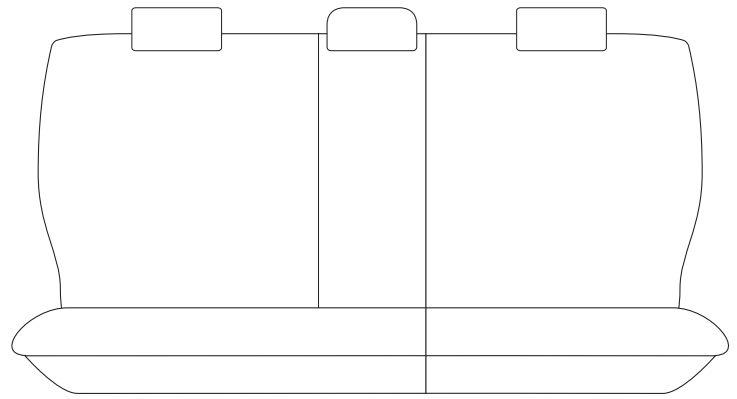


MIDDLE AND REAR SEATS

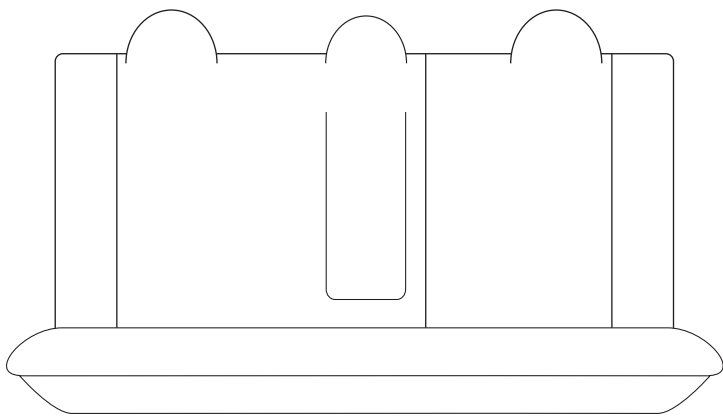
1041



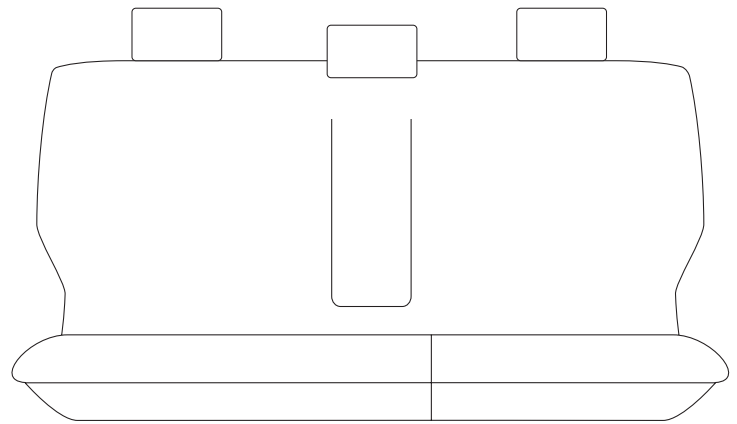
1042



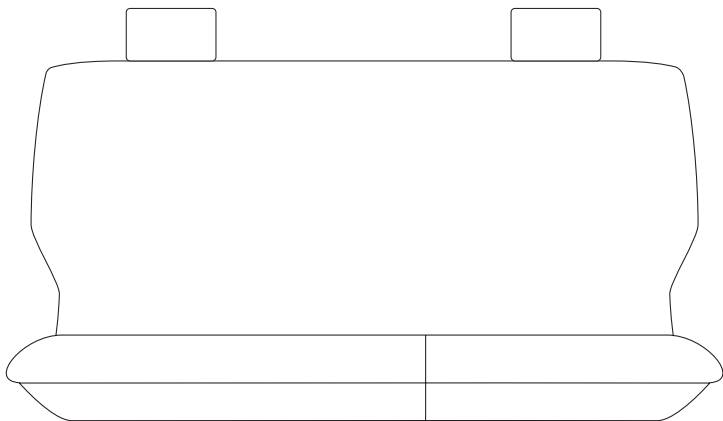
1043



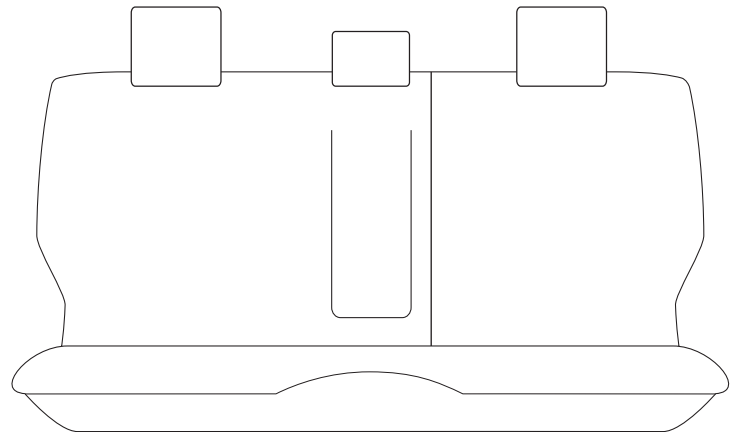
1044



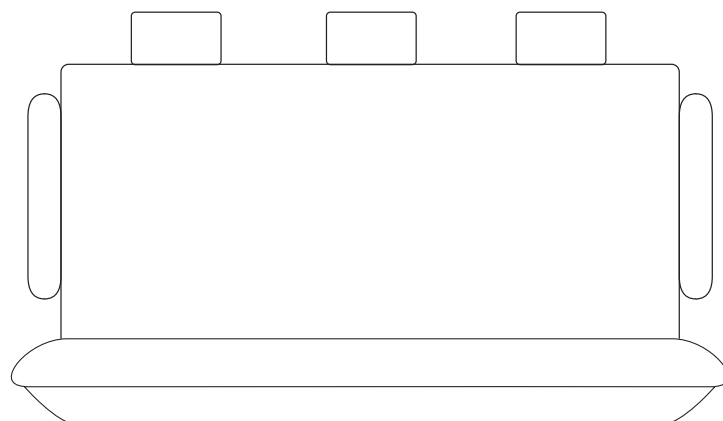
1045



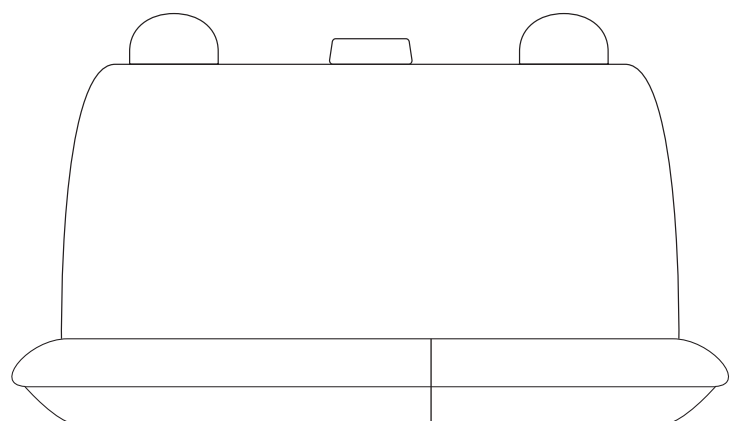
1046



1047

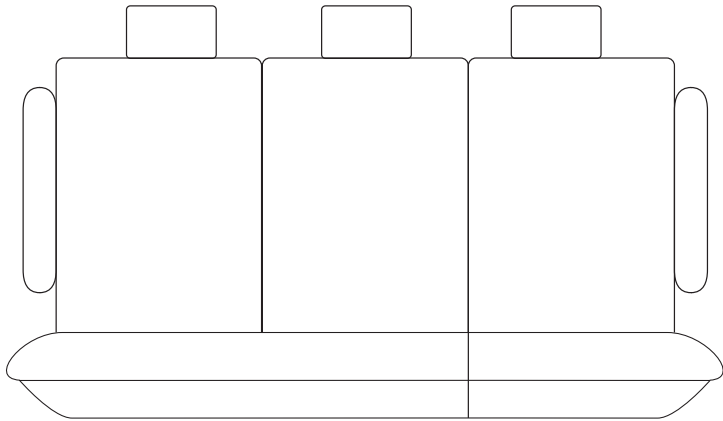


1048

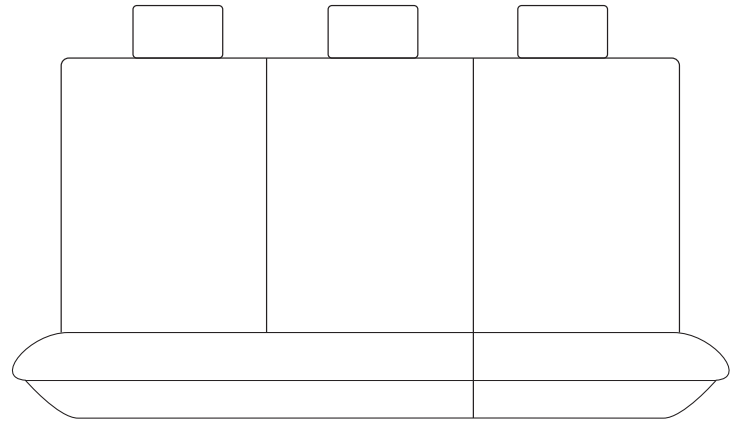


MIDDLE AND REAR SEATS

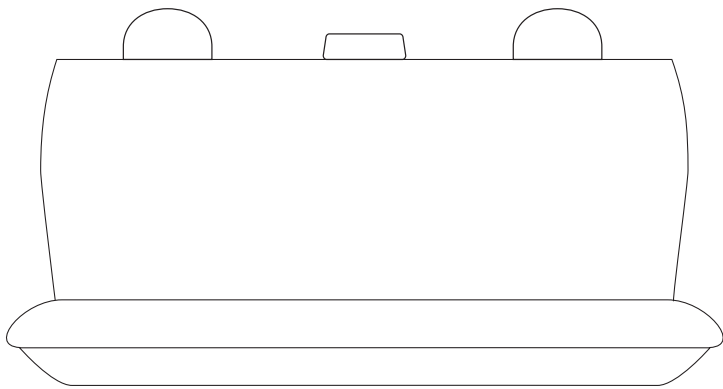
1049



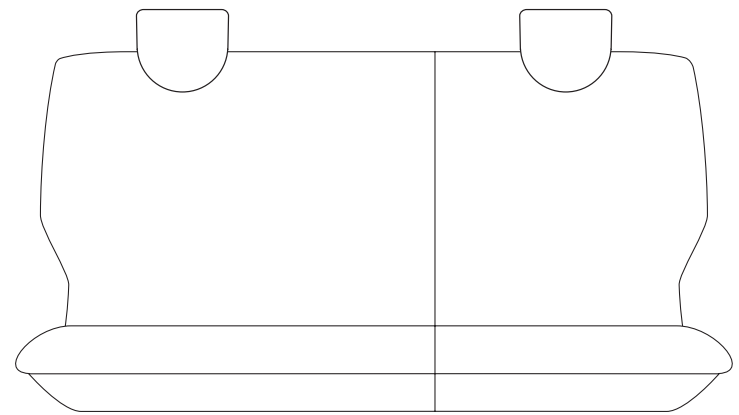
1050



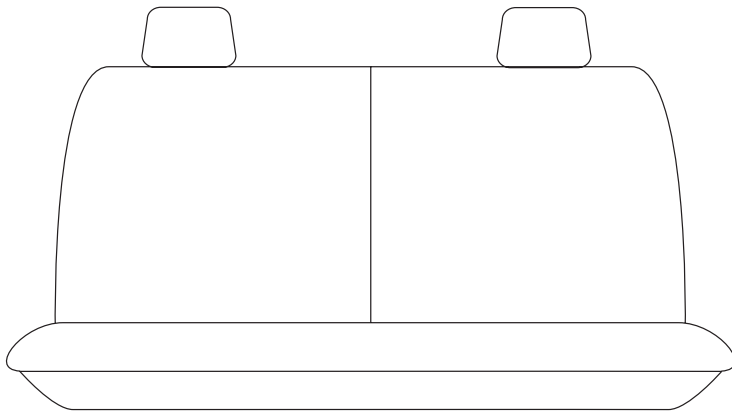
1051



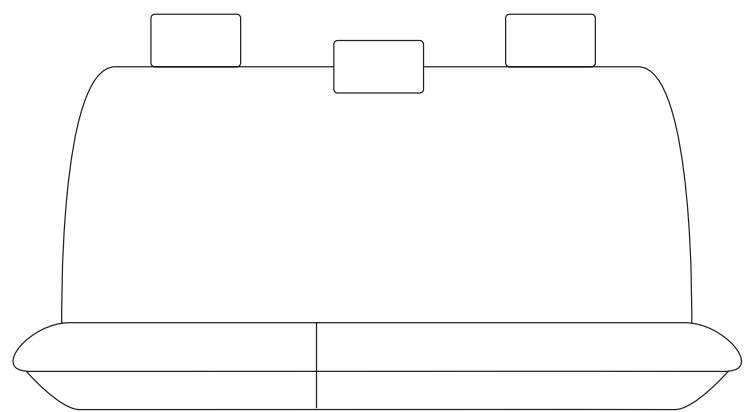
1052



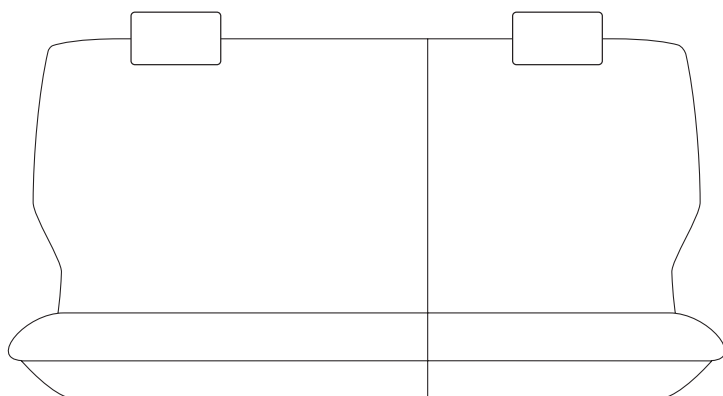
1053



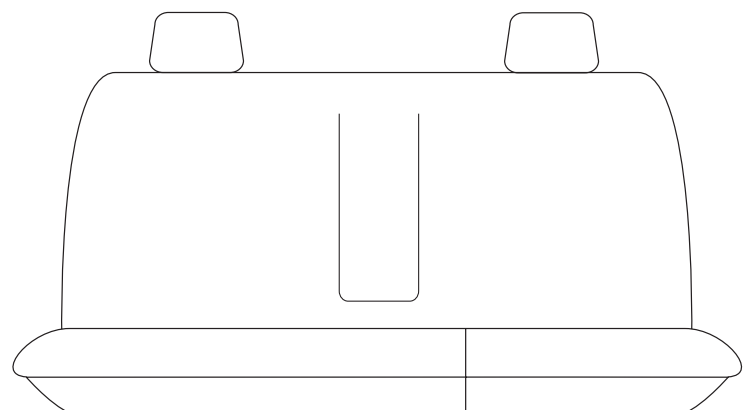
1054



1055

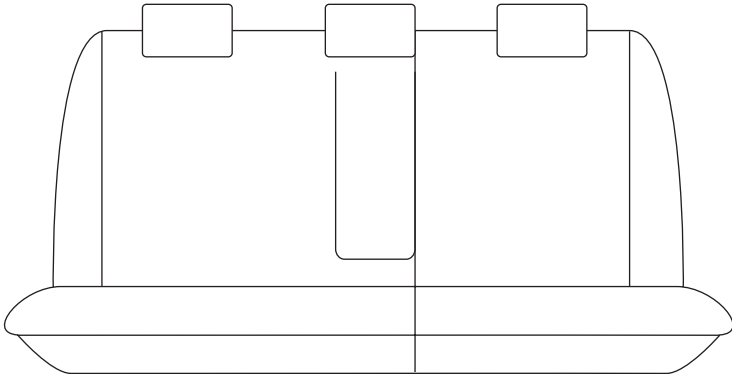


1056

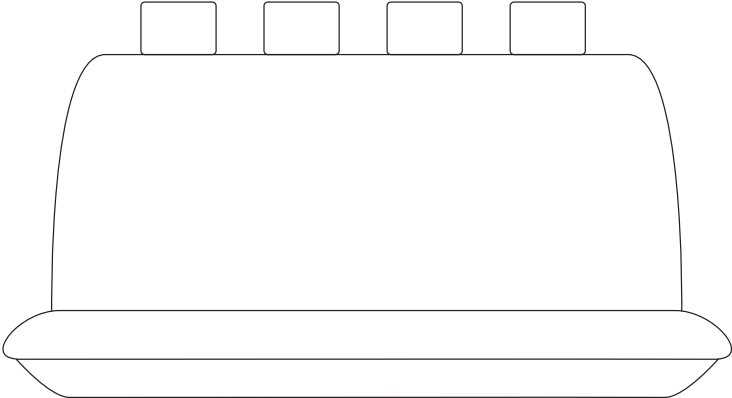


MIDDLE AND REAR SEATS

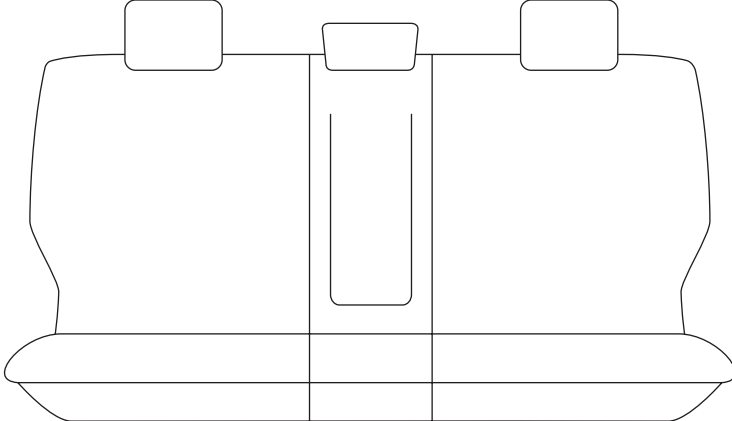
1057



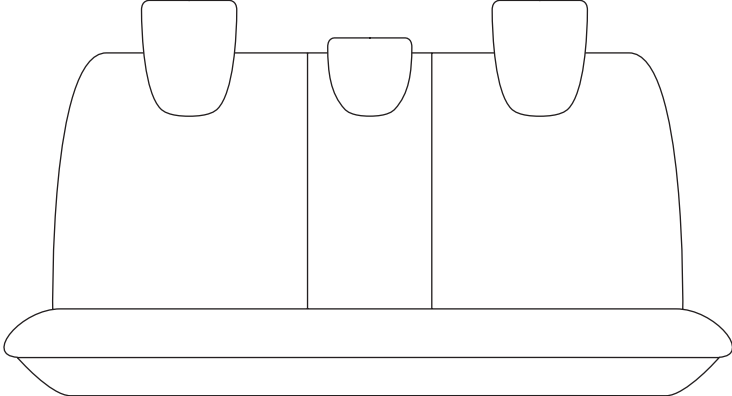
1058



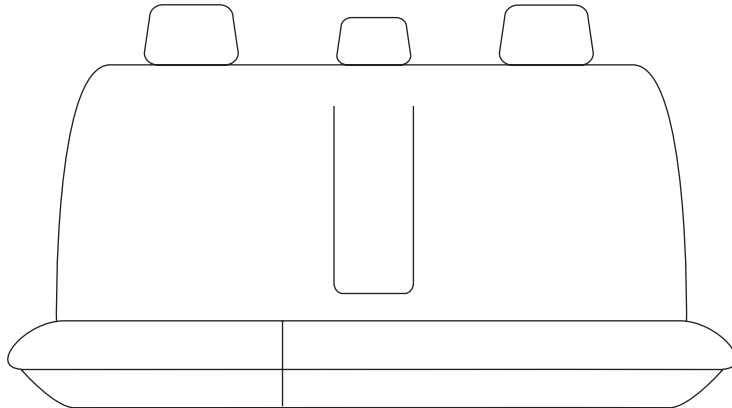
1059



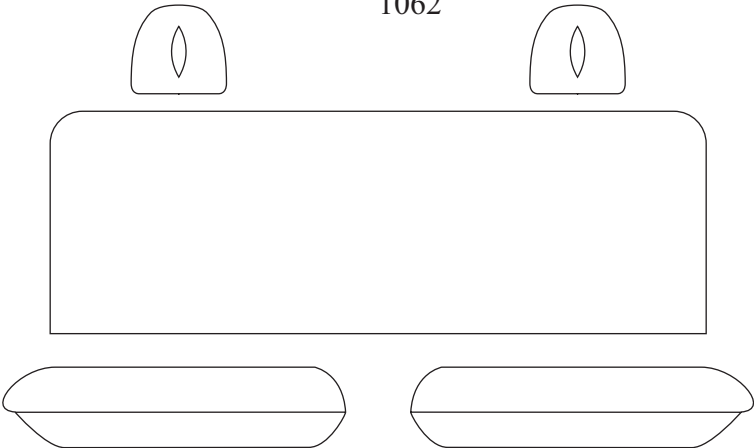
1060



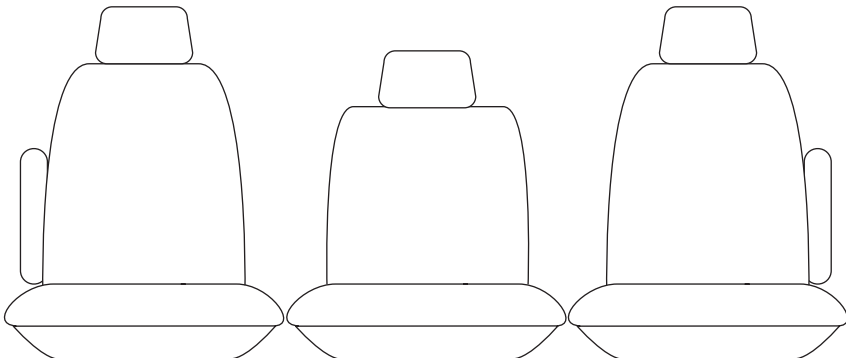
1061



1062

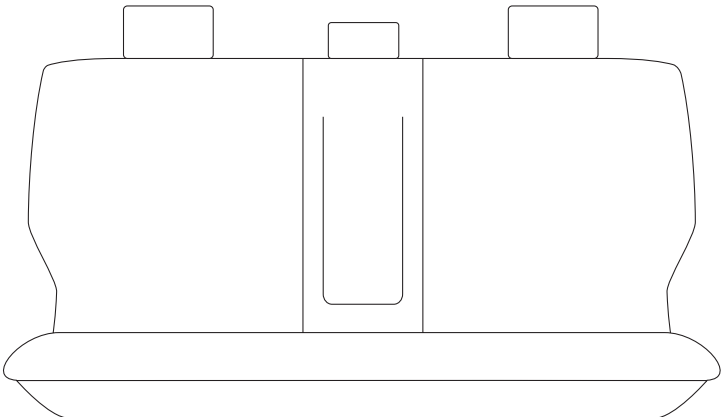


1063

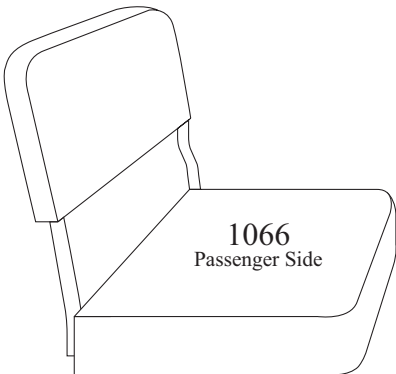
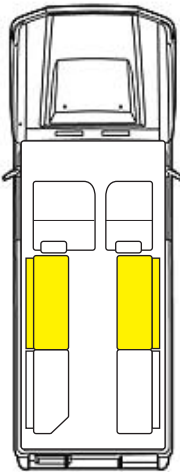
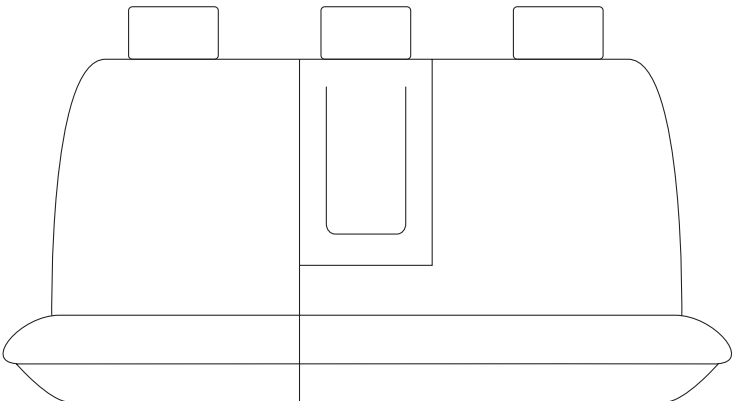


MIDDLE AND REAR SEATS

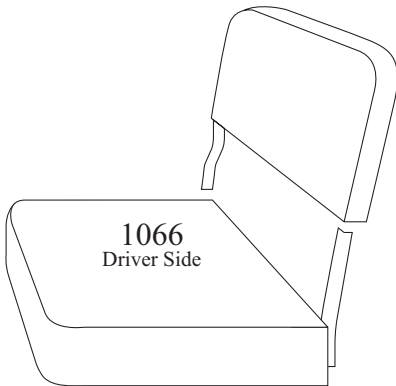
1064



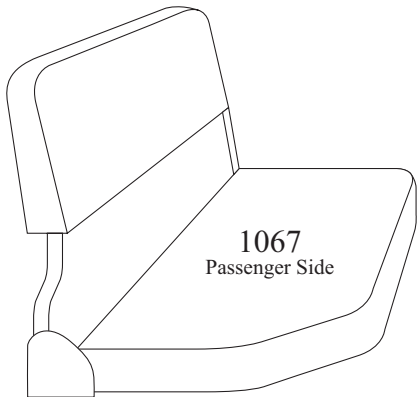
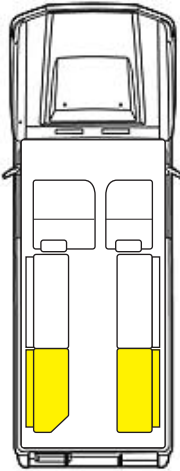
1065



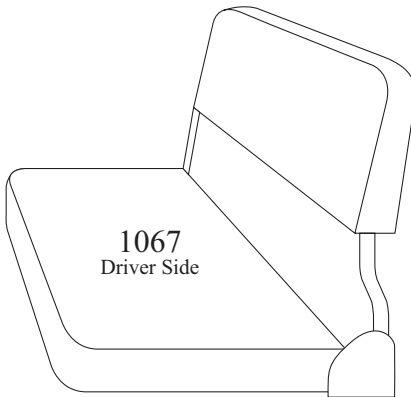
1066
Passenger Side



1066
Driver Side

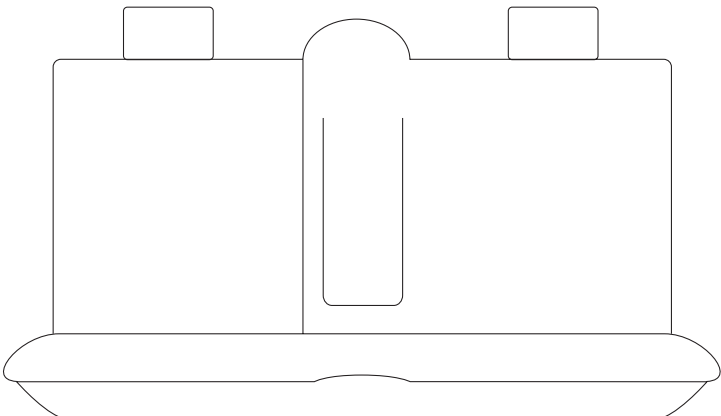


1067
Passenger Side

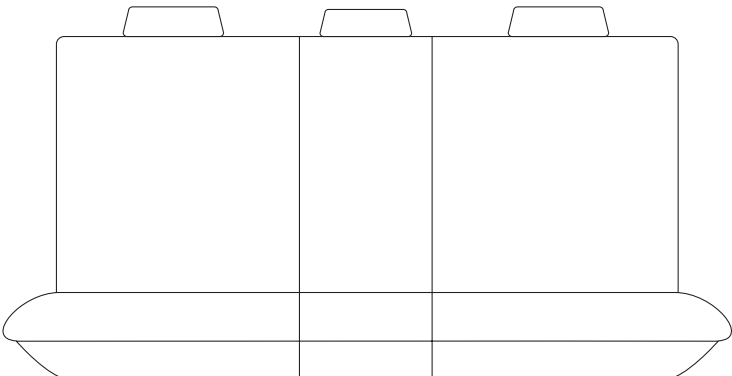


1067
Driver Side

1068

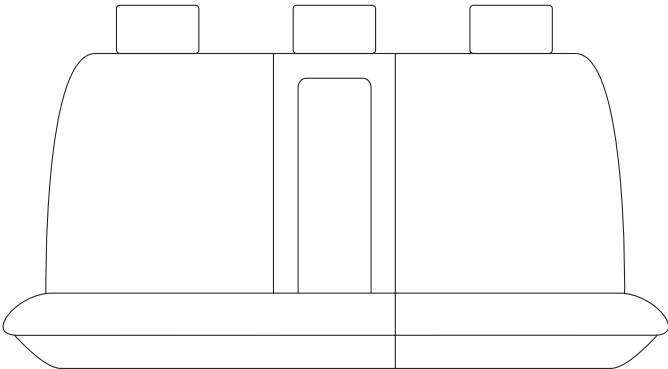


1069



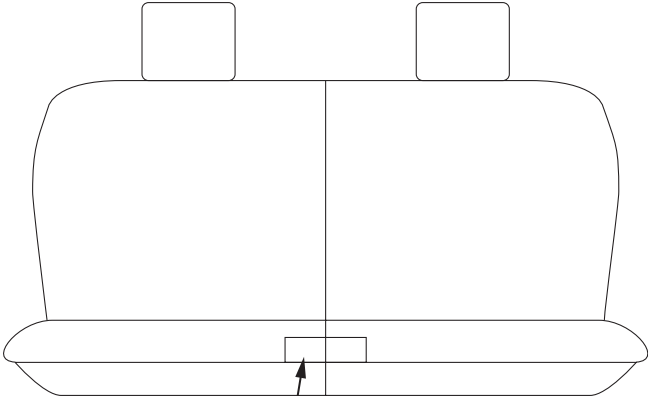
MIDDLE AND REAR SEATS

1070



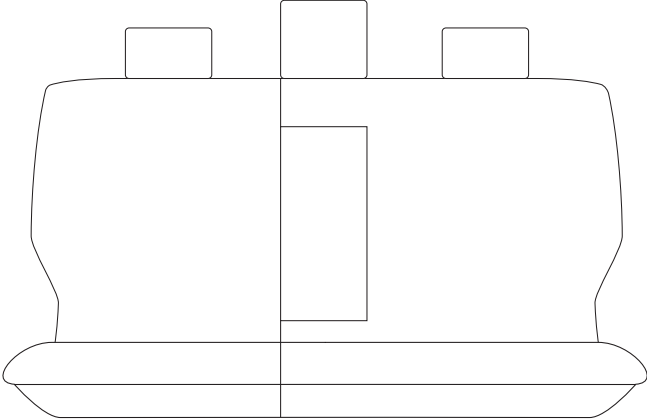
Note: middle has side airbags

1071

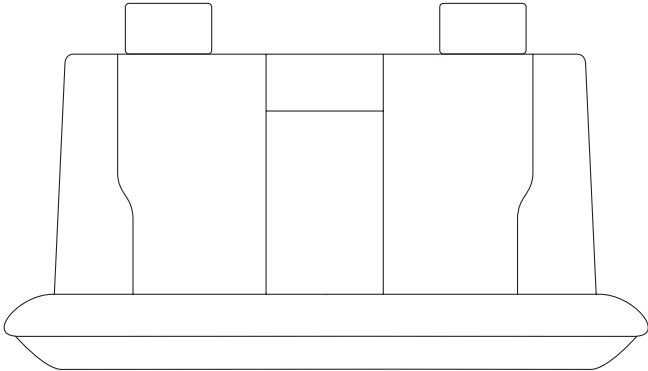


Dual cup holders

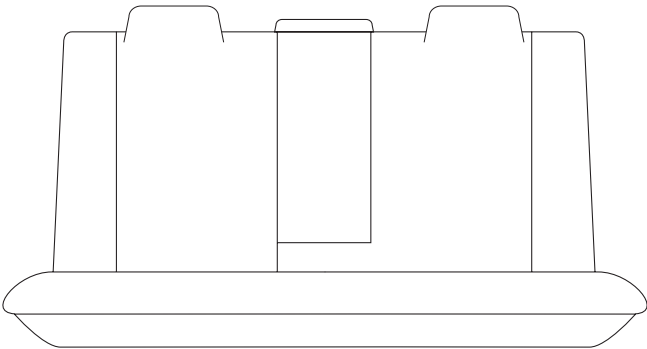
1072



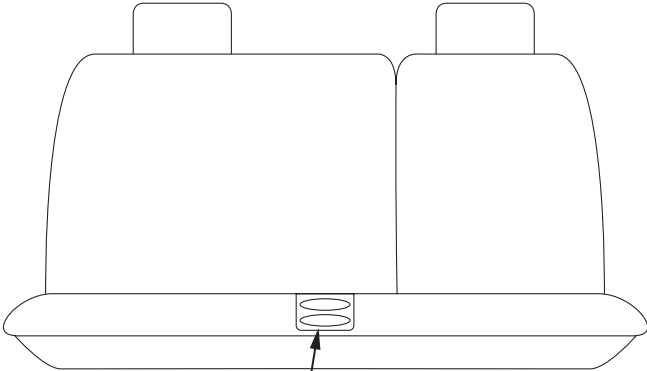
1073



1074

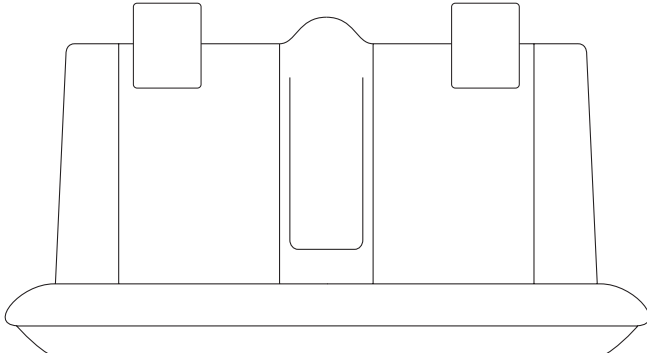


1075

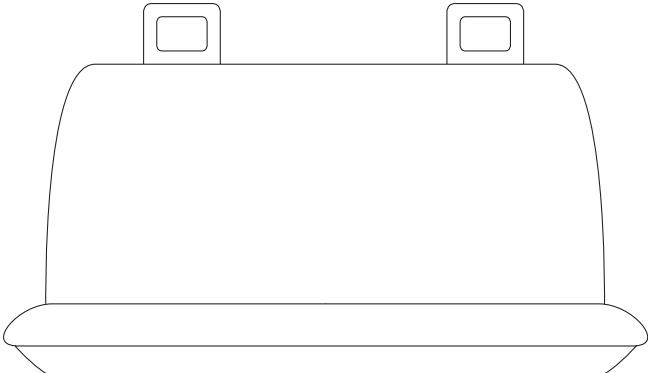


Cup holders

1076

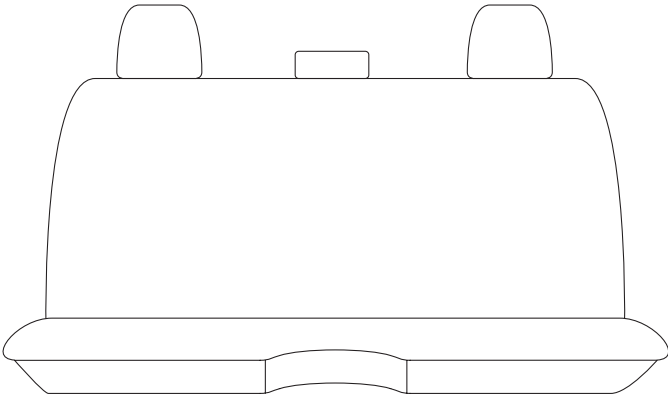


1077

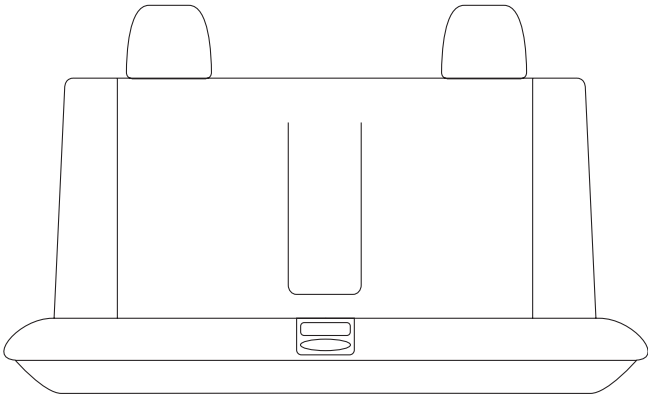


MIDDLE AND REAR SEATS

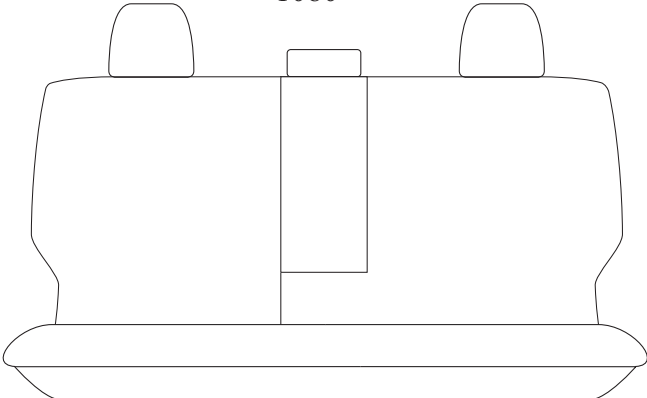
1078



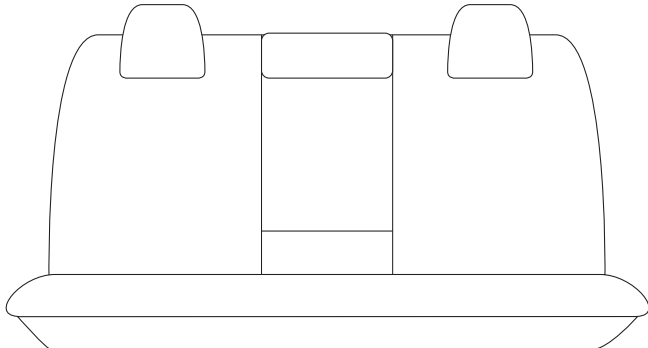
1079



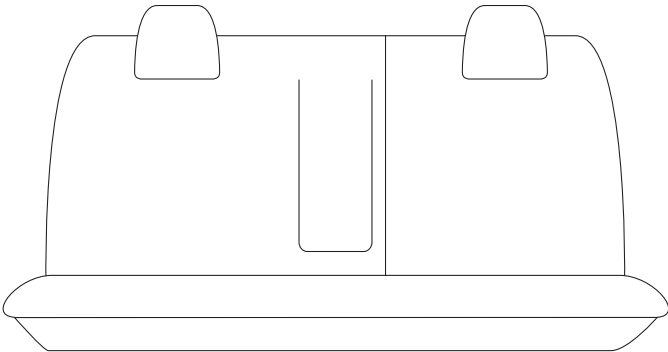
1080



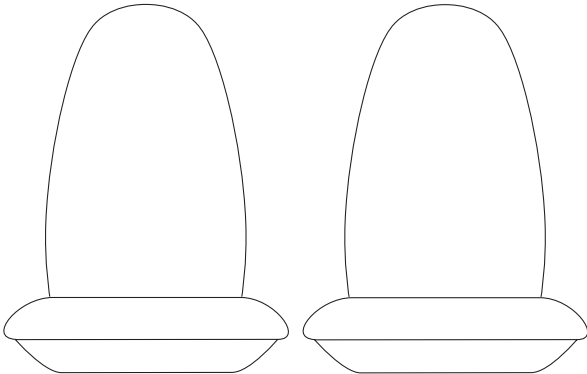
1081



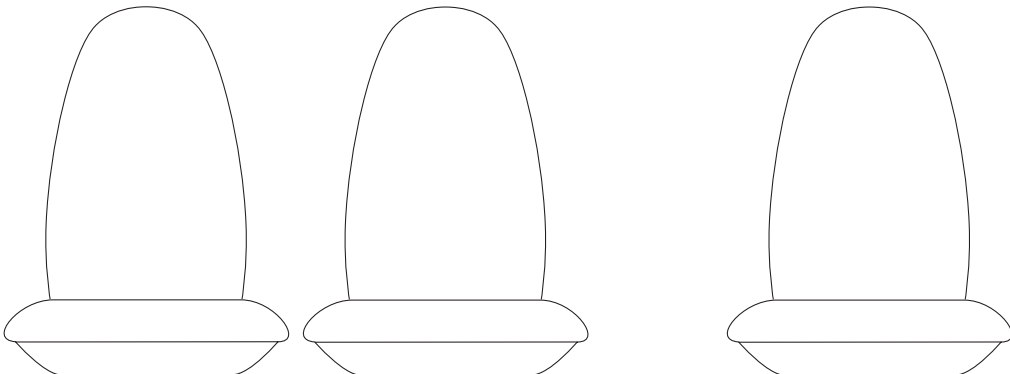
1082



1083

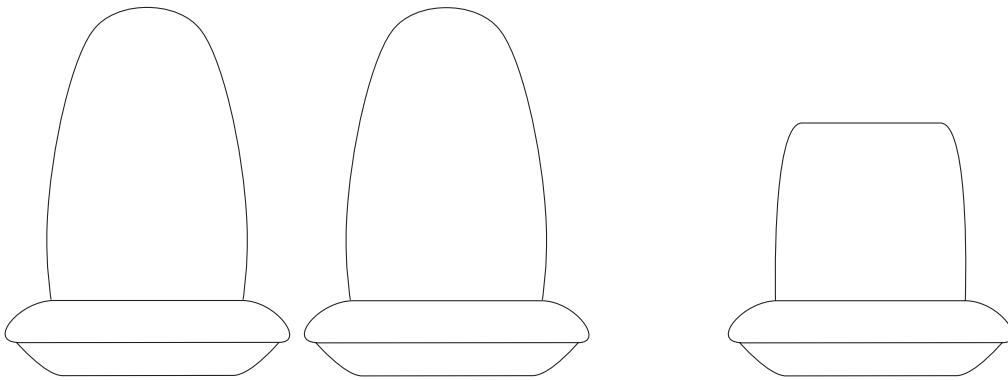


1084

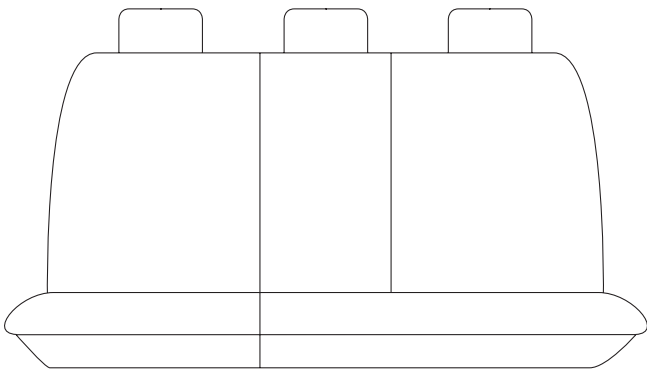


MIDDLE AND REAR SEATS

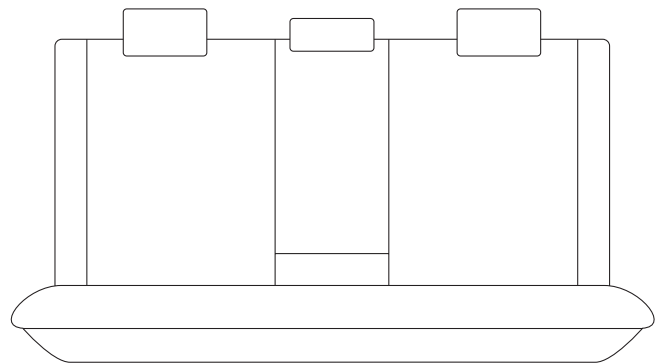
1085



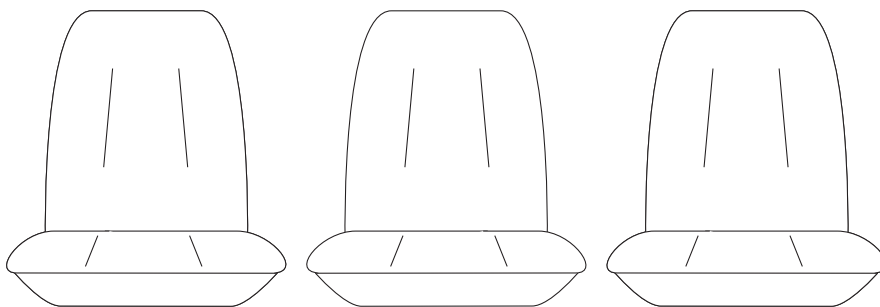
1086



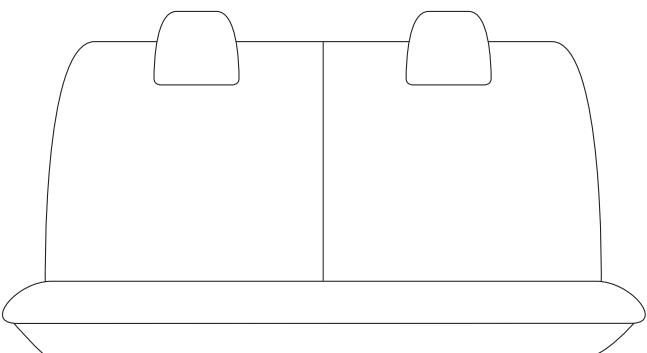
1087



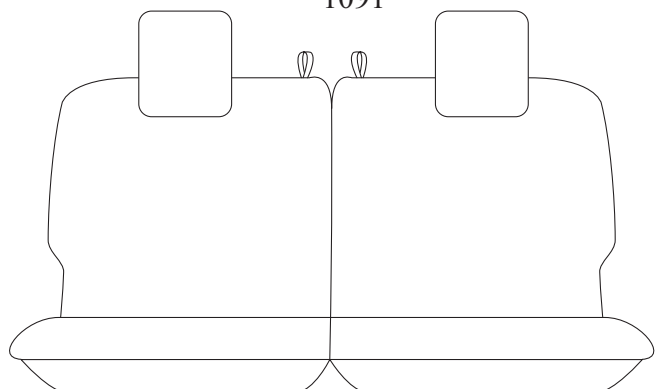
1089



1090

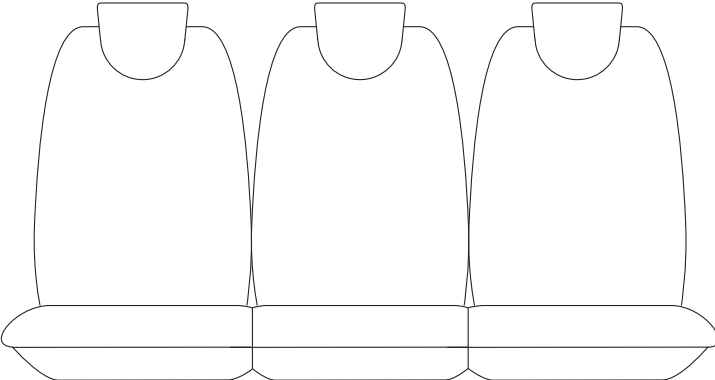


1091

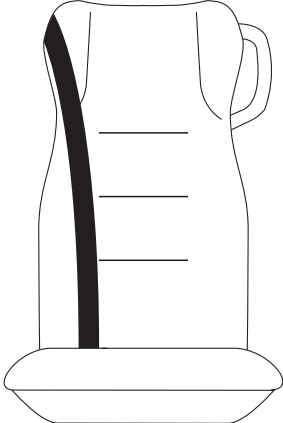


MIDDLE AND REAR SEATS

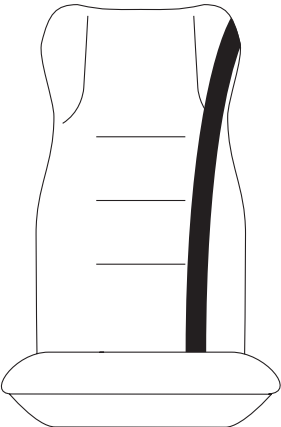
1092



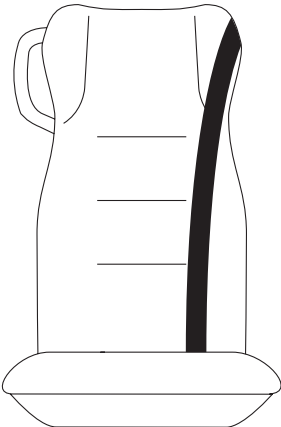
1093



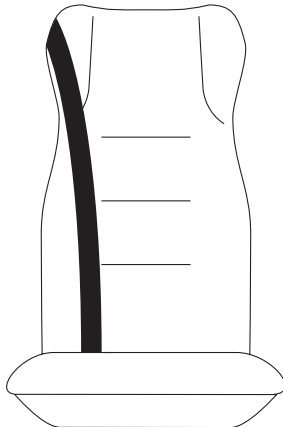
1094



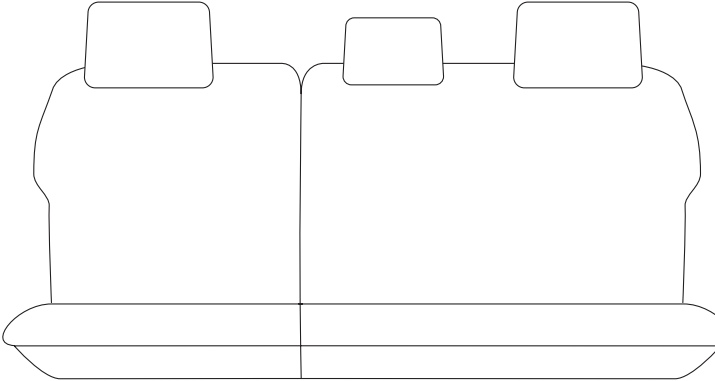
1095



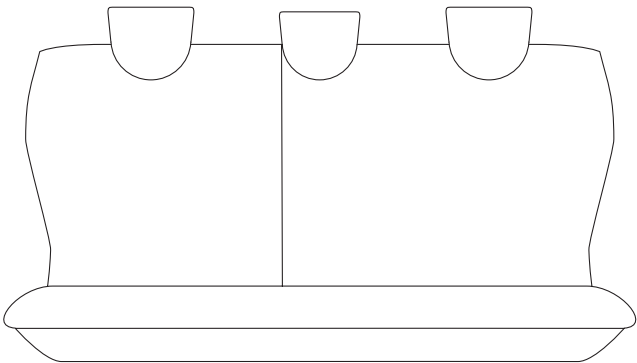
1096



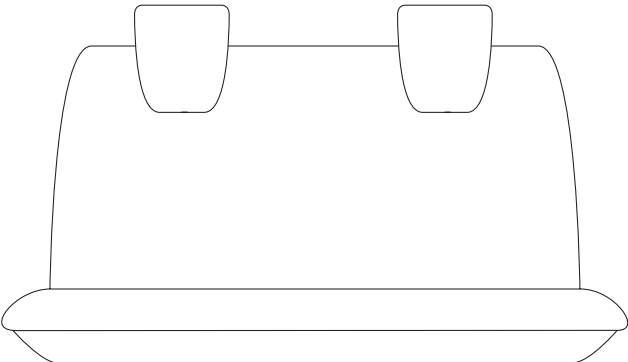
1097



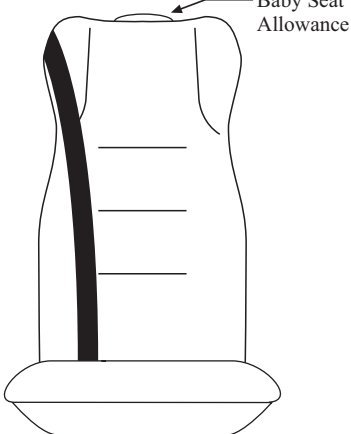
1098



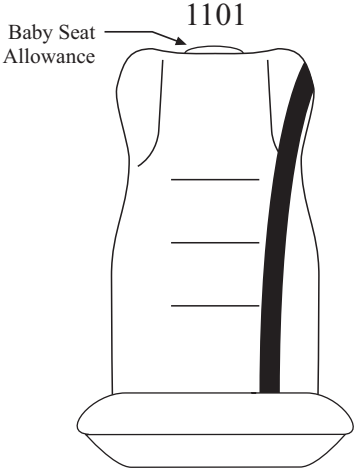
1099



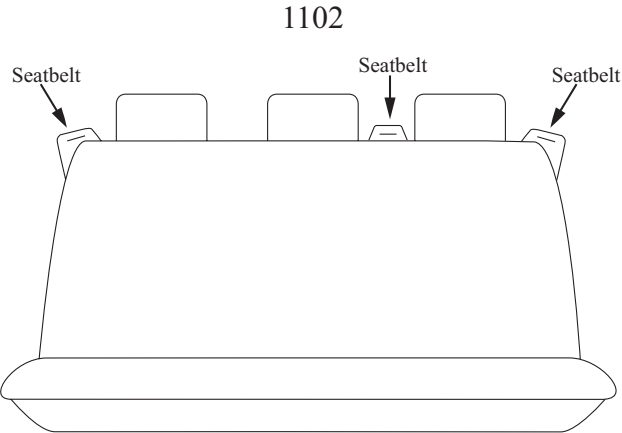
1100



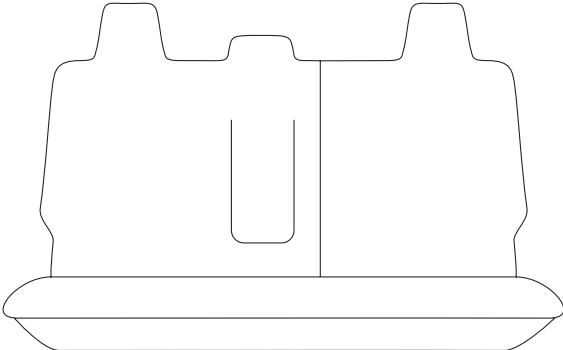
MIDDLE AND REAR SEATS



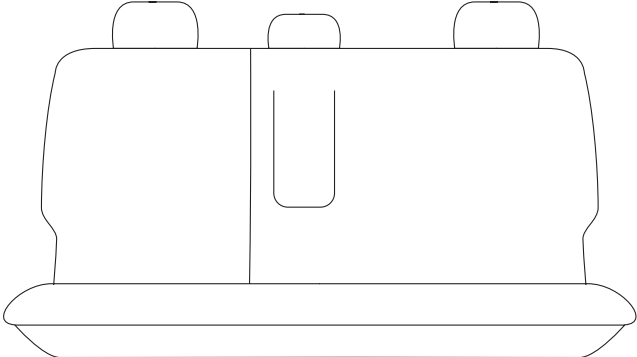
1103



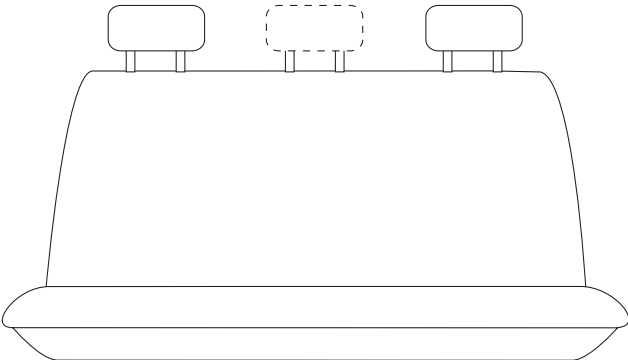
1104



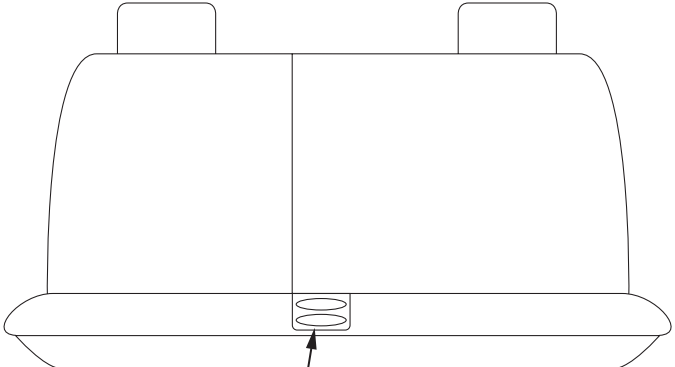
1105



1106

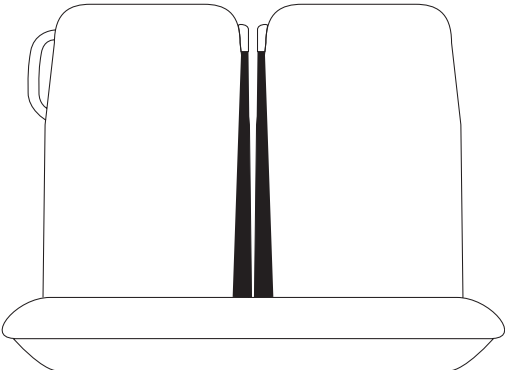
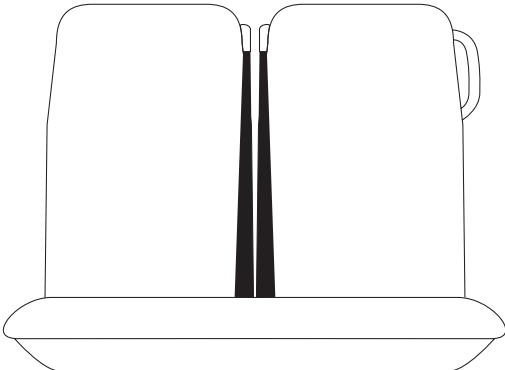


Suits both 2 & 3 headrests in rear



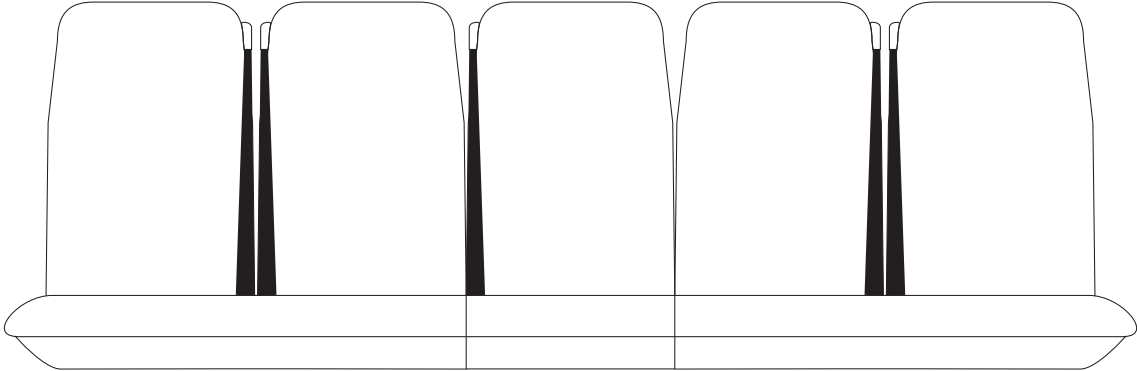
Cup holders

1107

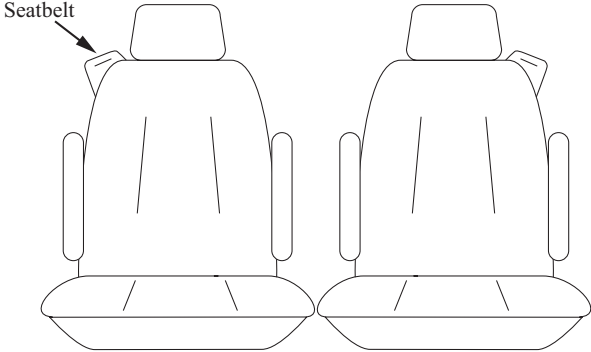


MIDDLE AND REAR SEATS

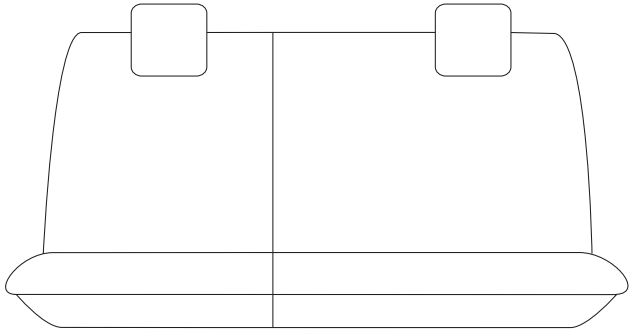
1108



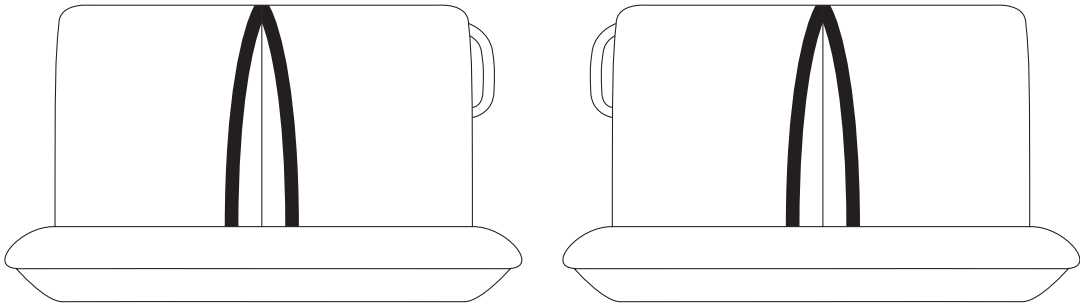
1109



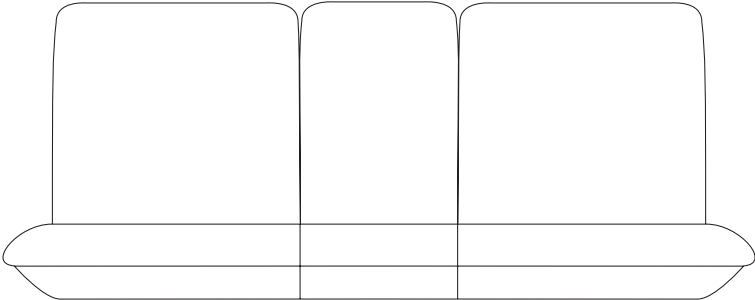
1110



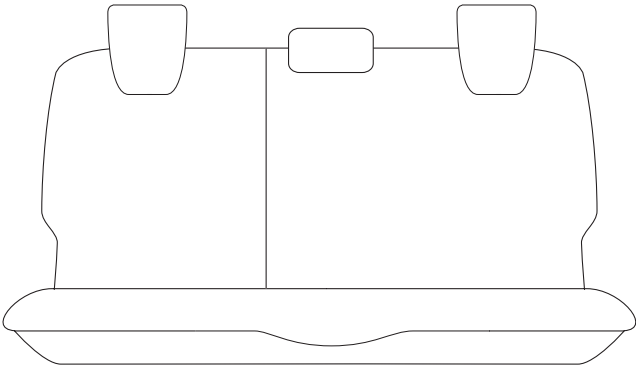
1111



1112

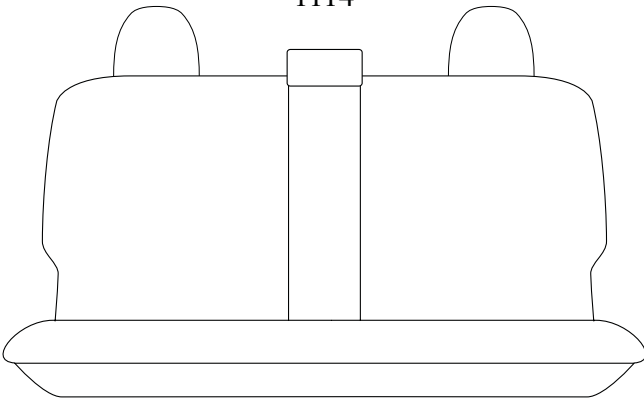


1113

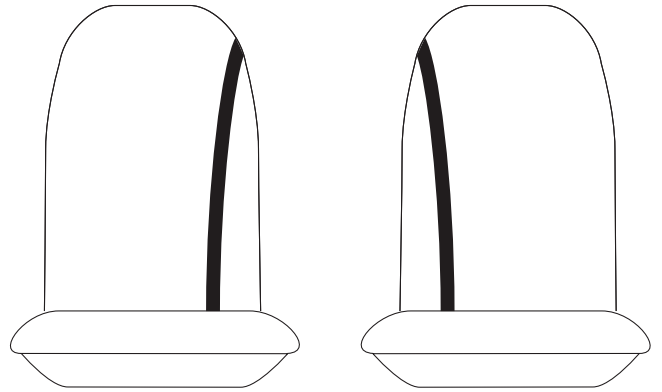


MIDDLE AND REAR SEATS

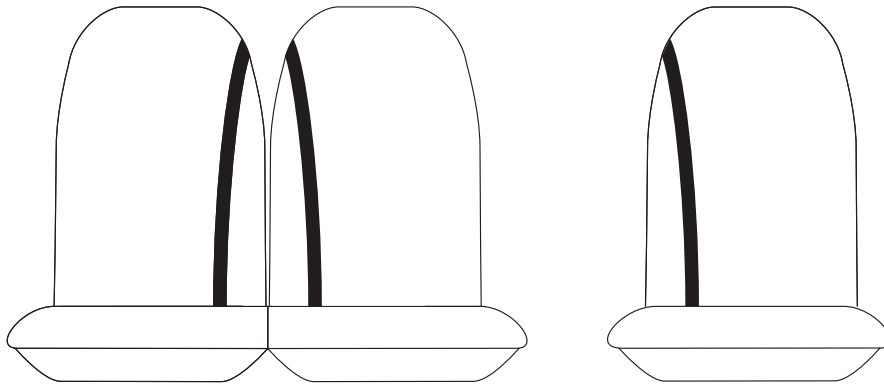
1114



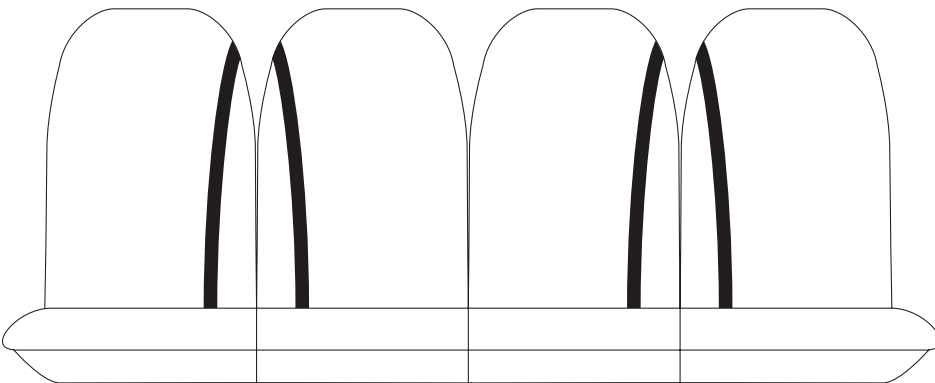
1115



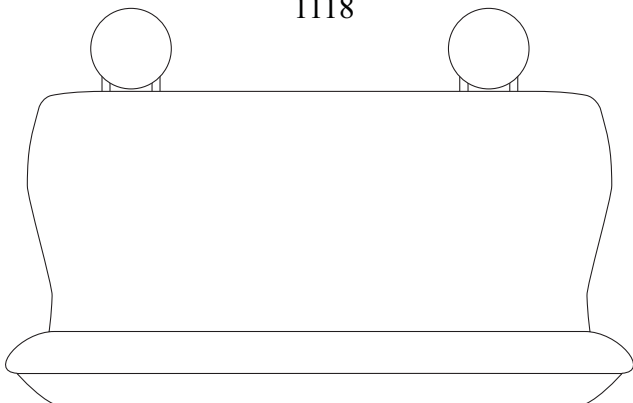
1116



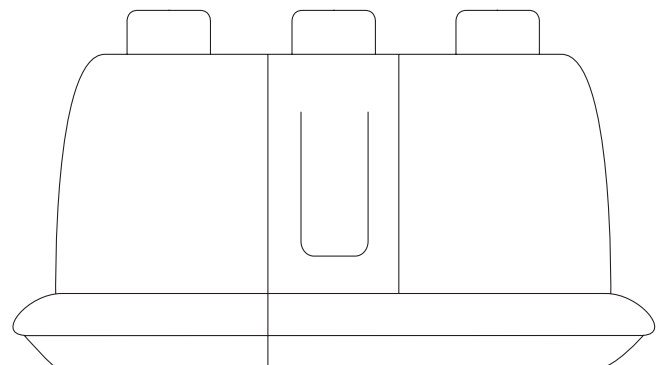
1117



1118

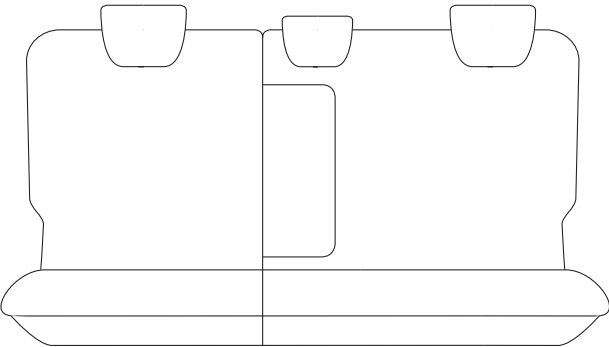


1119

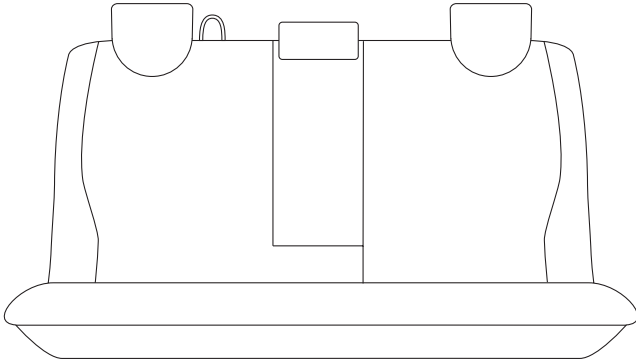


MIDDLE AND REAR SEATS

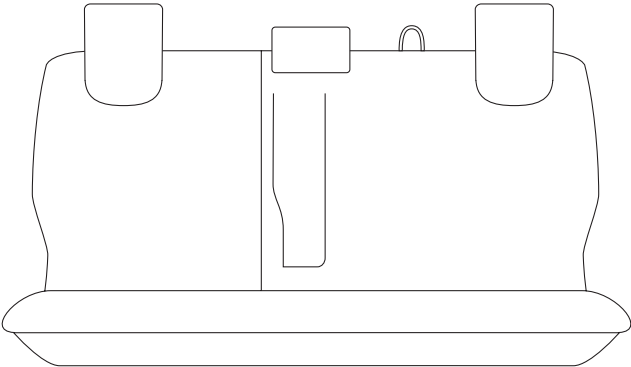
1120



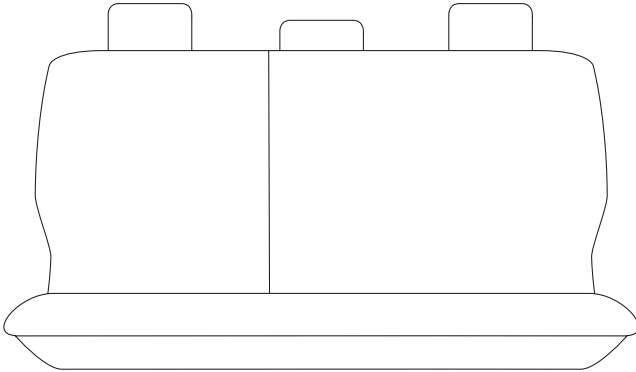
1121



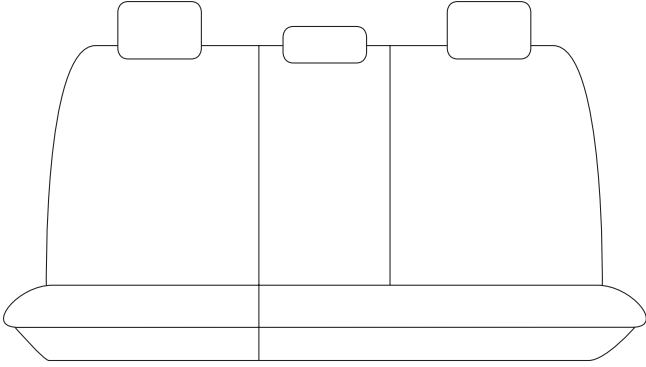
1122



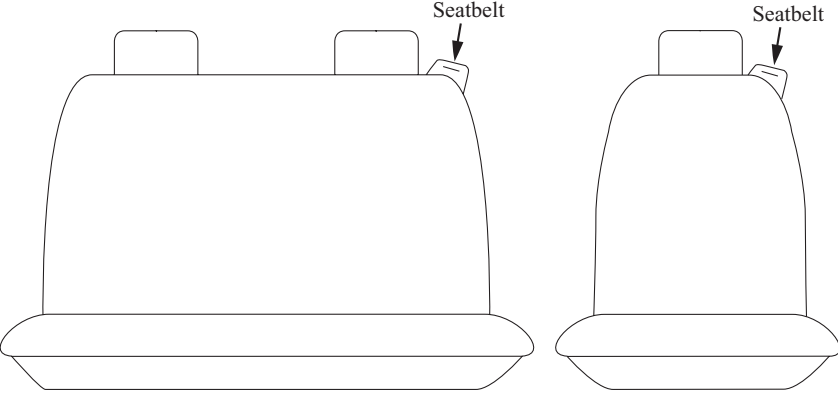
1123



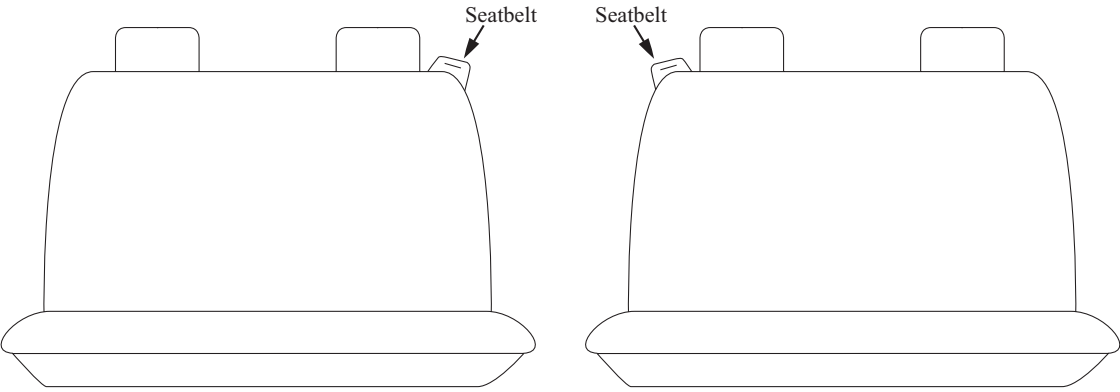
1124



1125

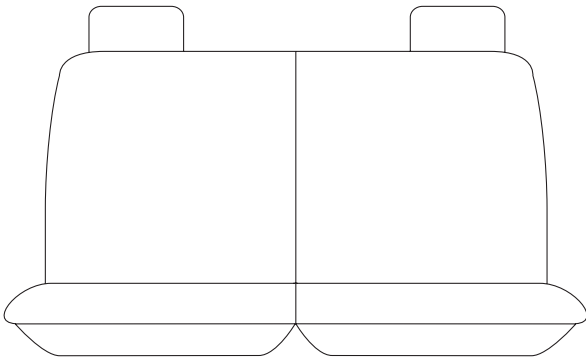


1126

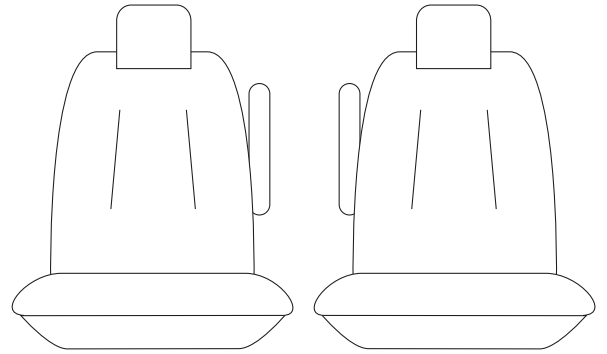


MIDDLE AND REAR SEATS

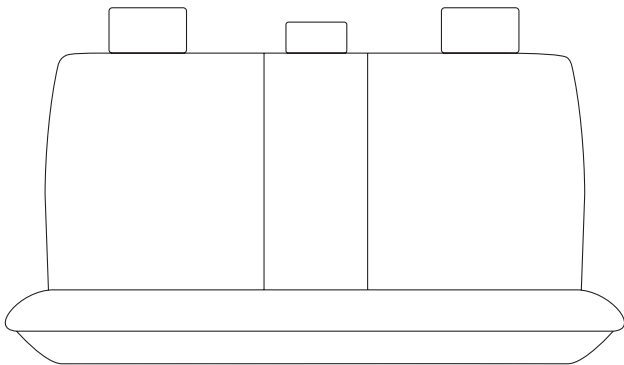
1127



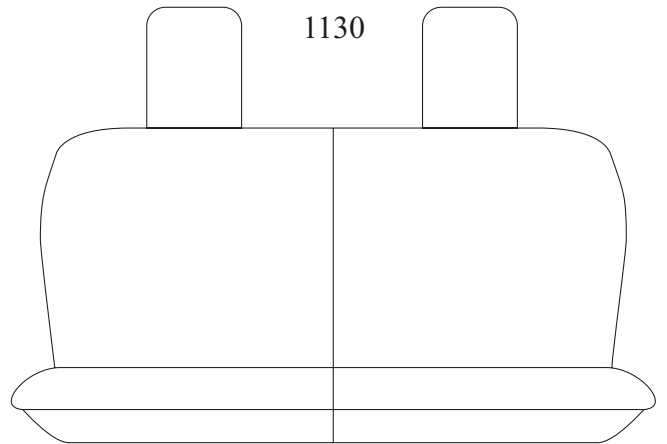
1128



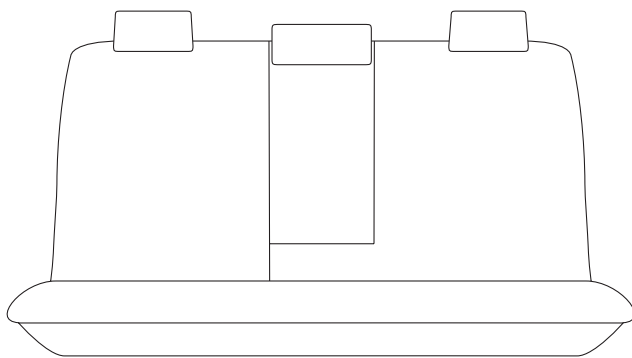
1129



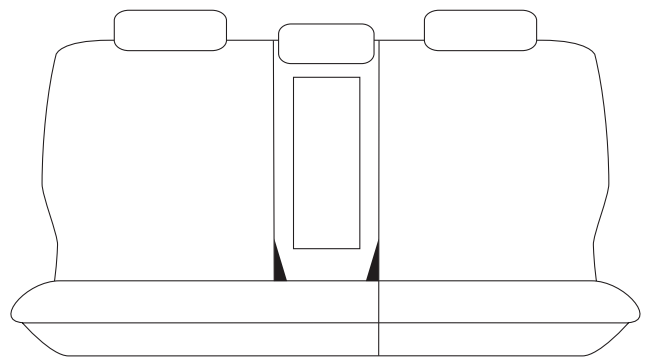
1130



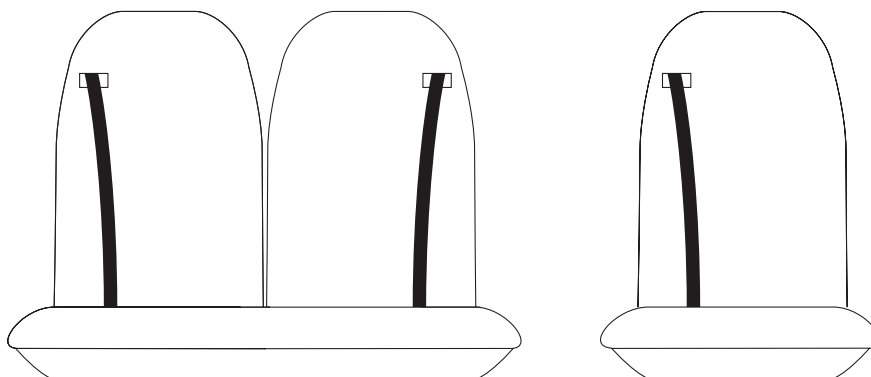
1131



1132

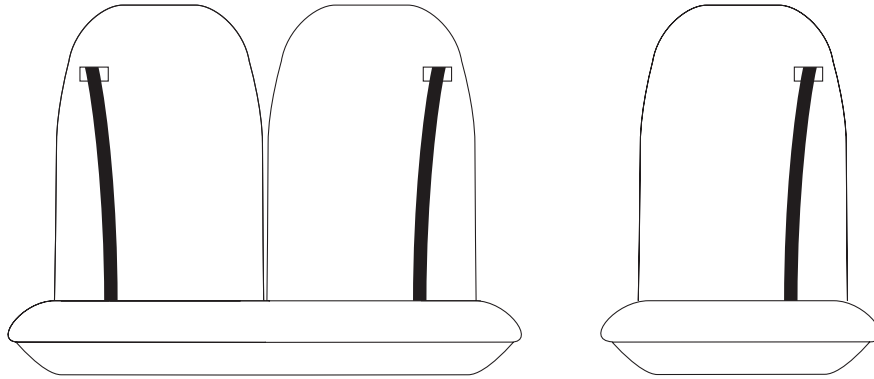


1133

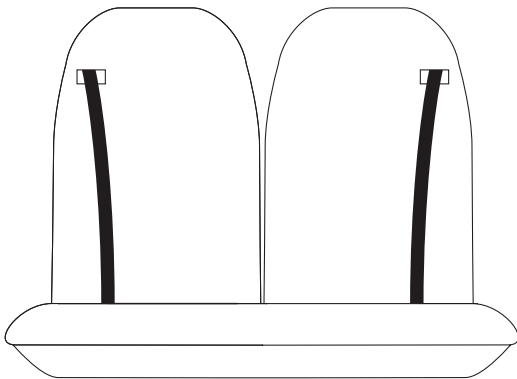


MIDDLE AND REAR SEATS

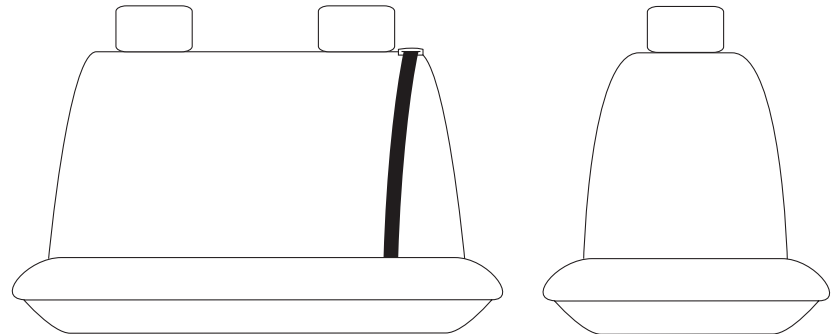
1134



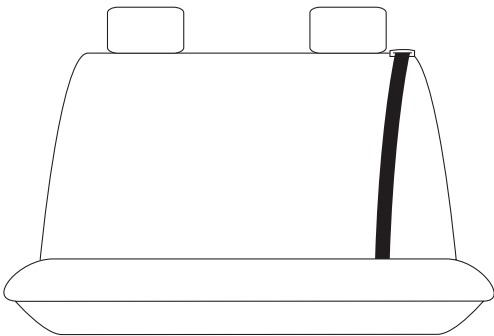
1135



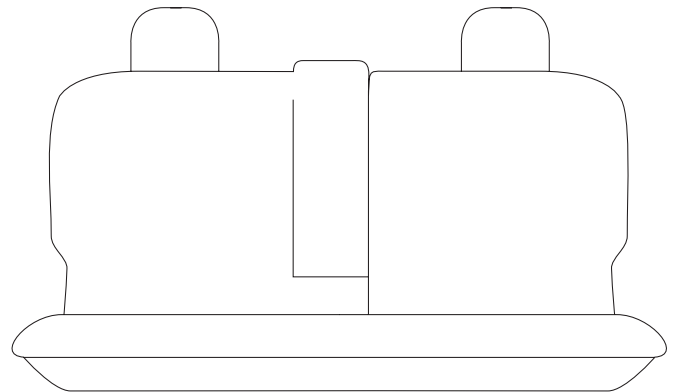
1136



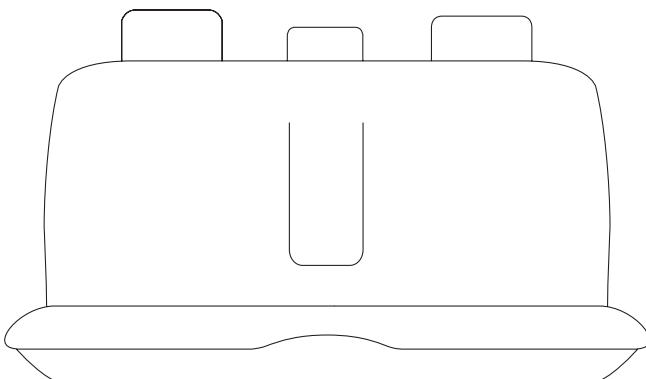
1137



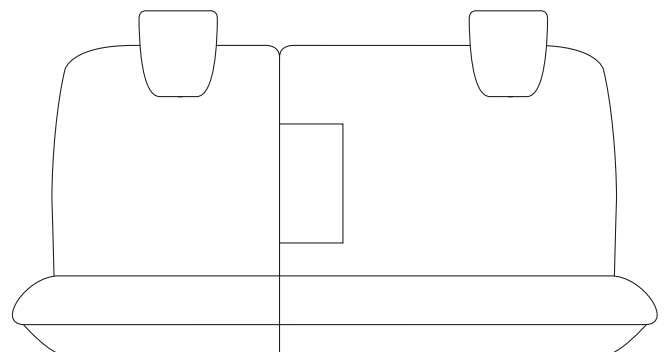
1138



1139

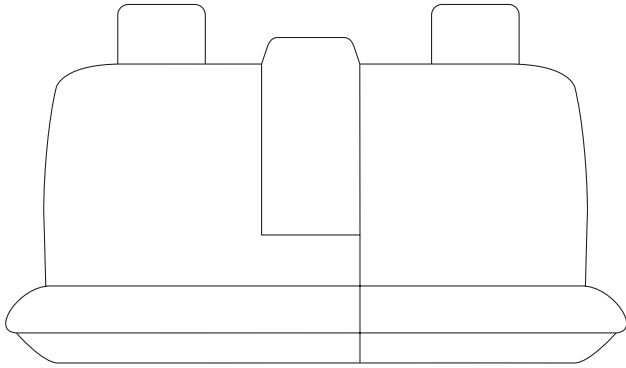


1140

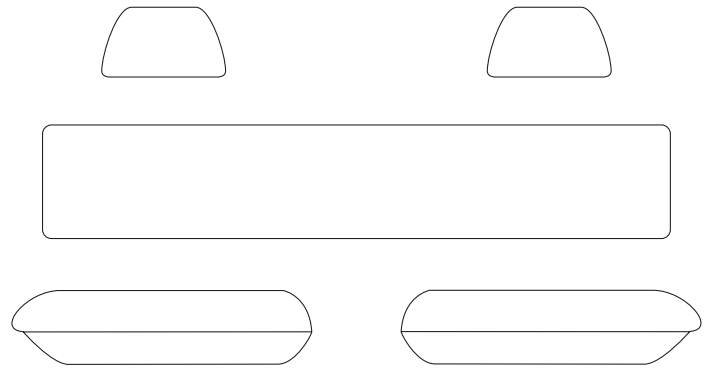


MIDDLE AND REAR SEATS

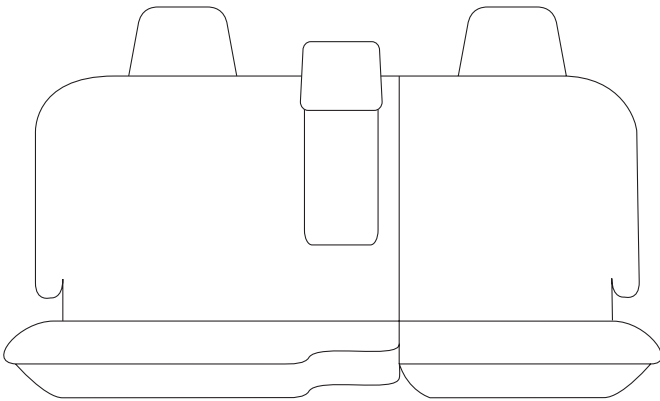
1141



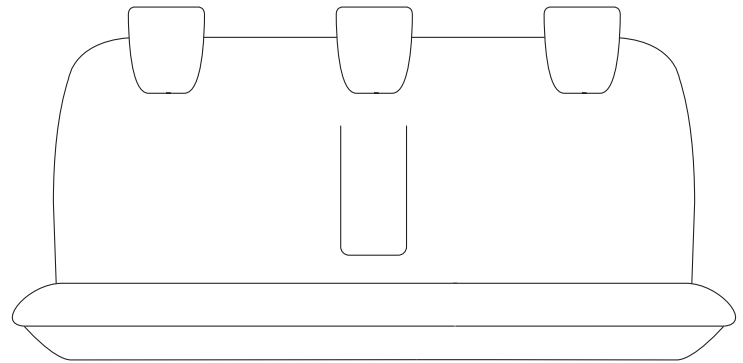
1142



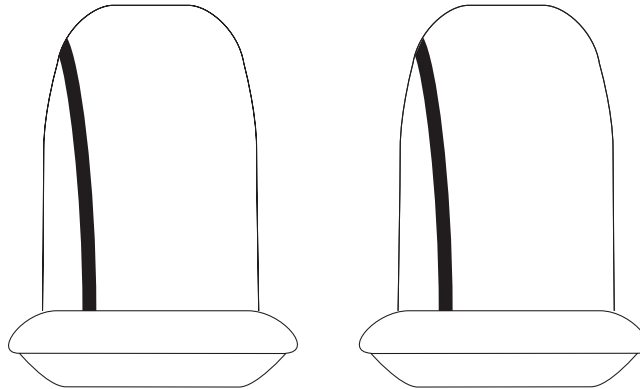
1143



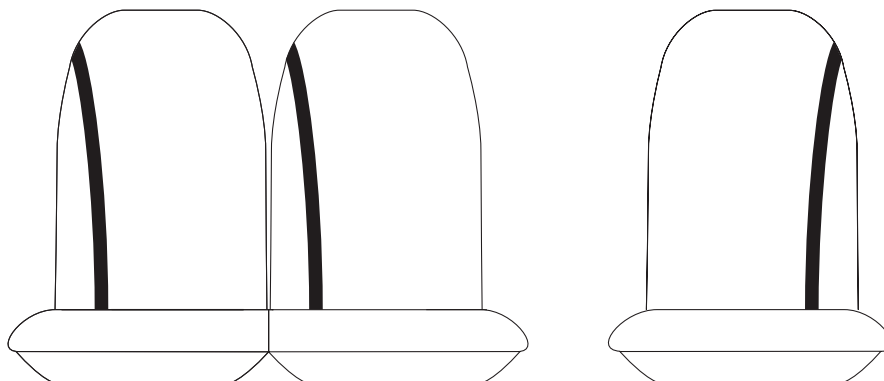
1144



1145

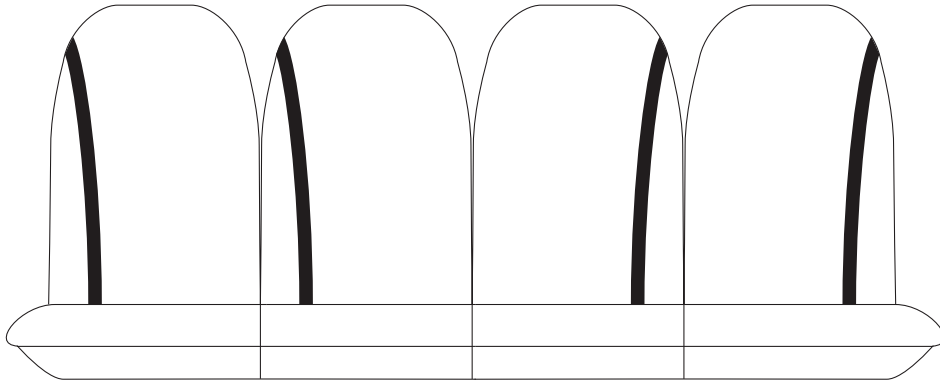


1146

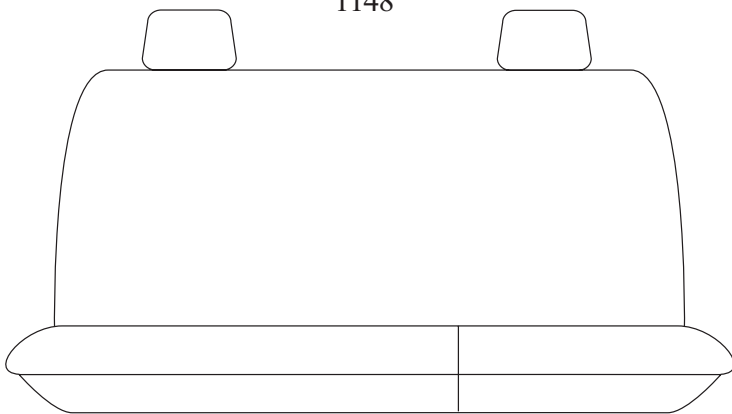


MIDDLE AND REAR SEATS

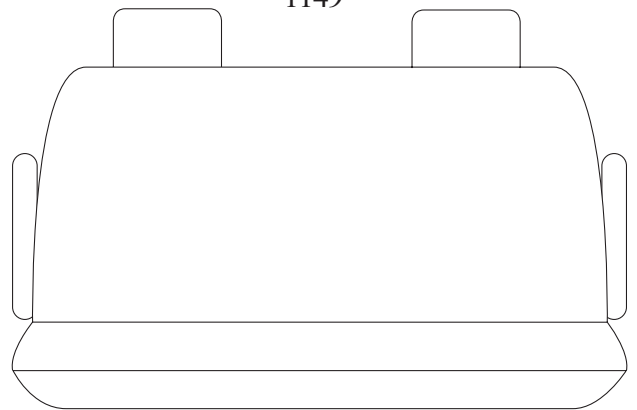
1147



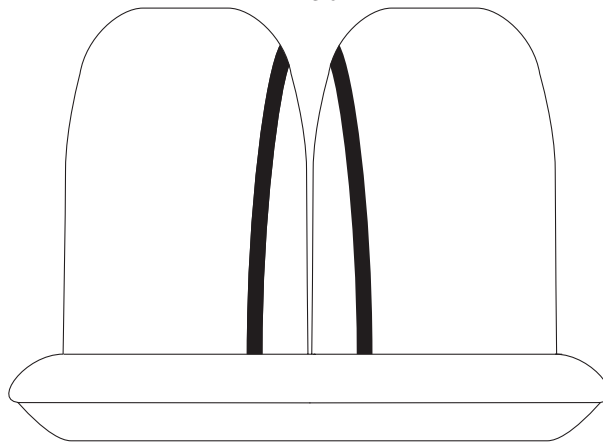
1148



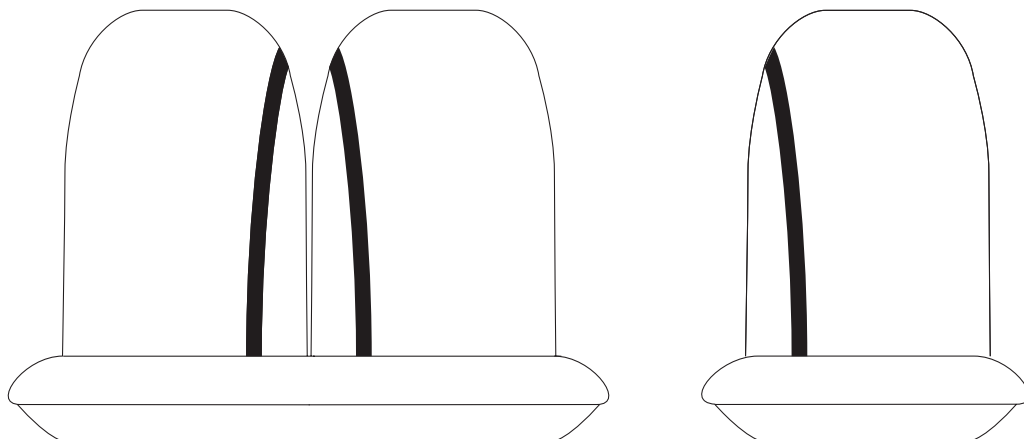
1149



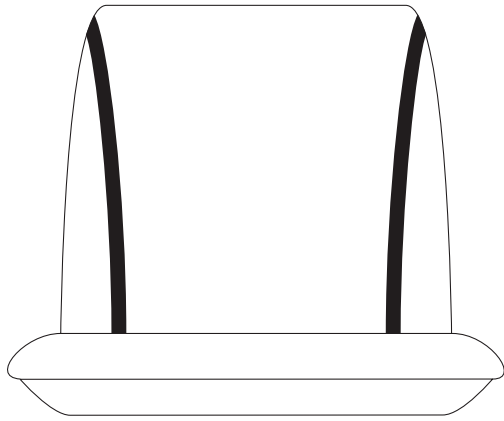
1150



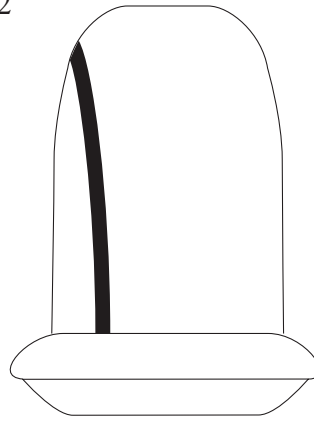
1151



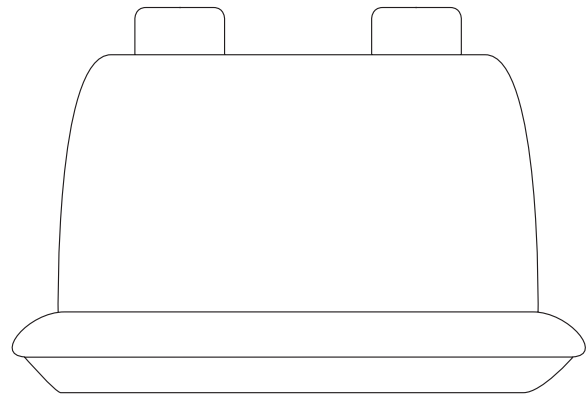
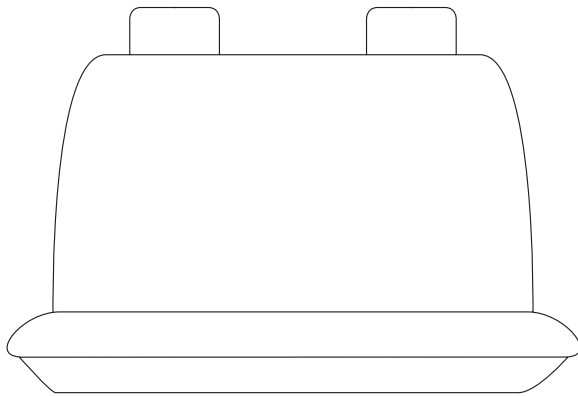
MIDDLE AND REAR SEATS



1152

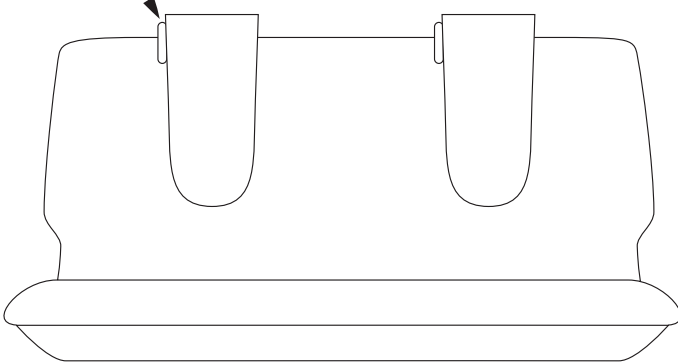


1153

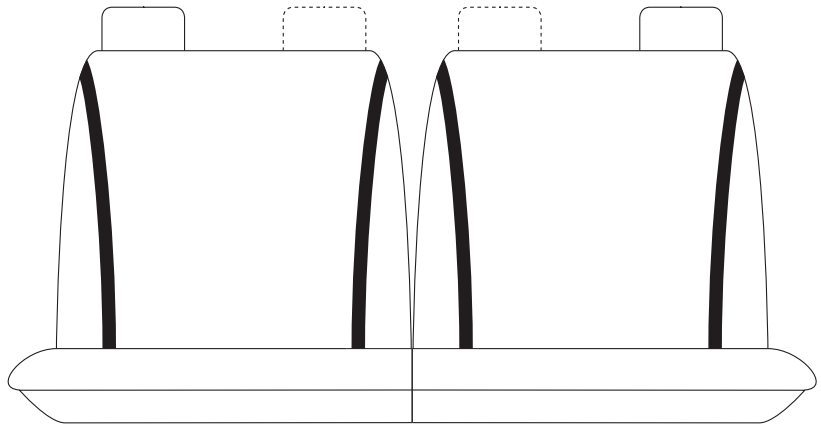


1154

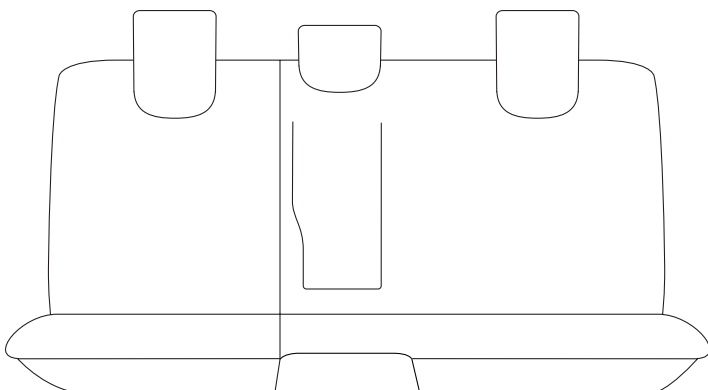
Lever



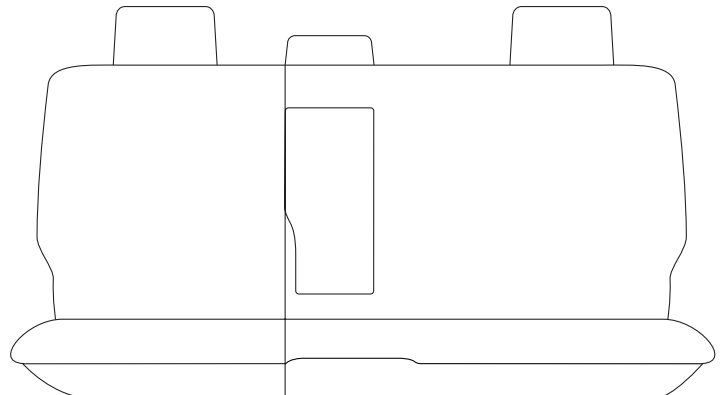
1155



1156

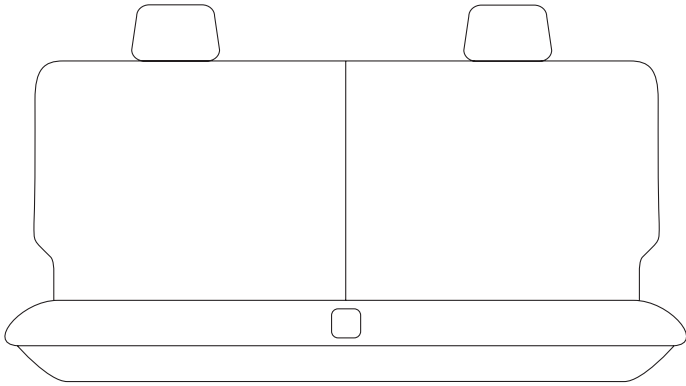


1157

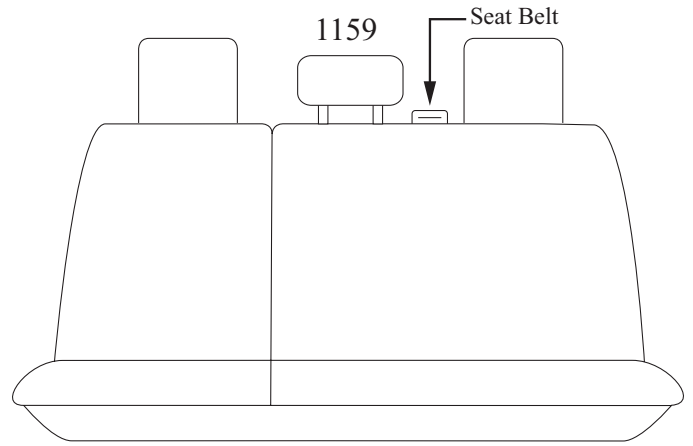


MIDDLE AND REAR SEATS

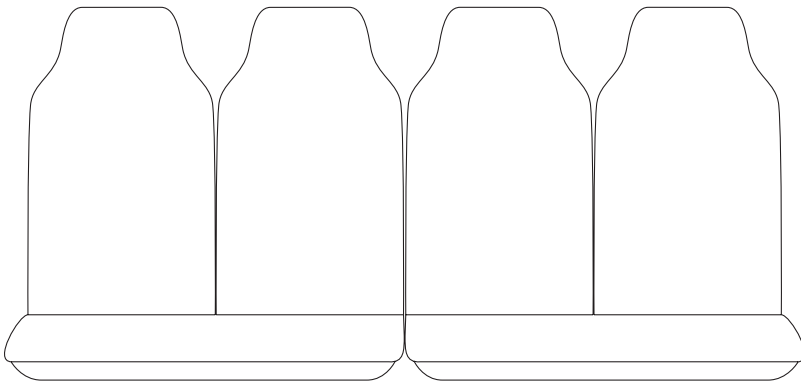
1158



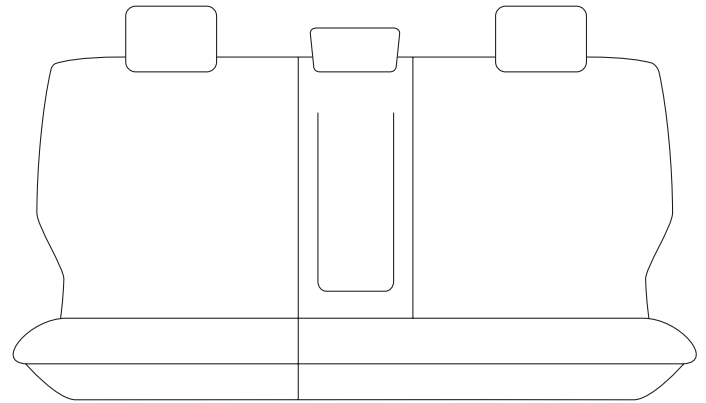
1159



1160



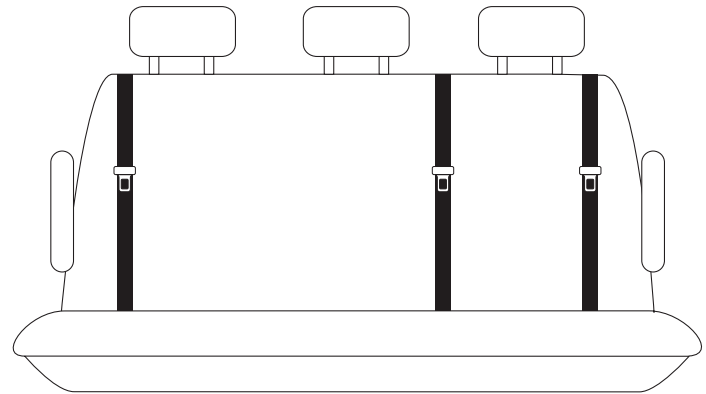
1161



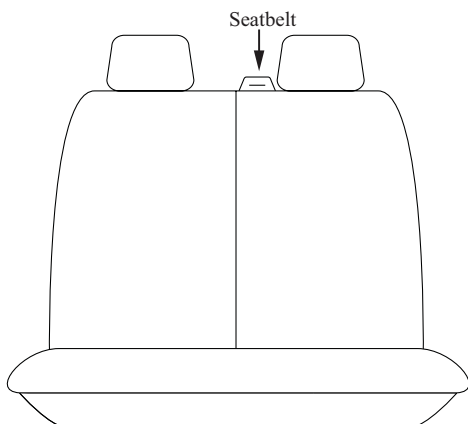
1162



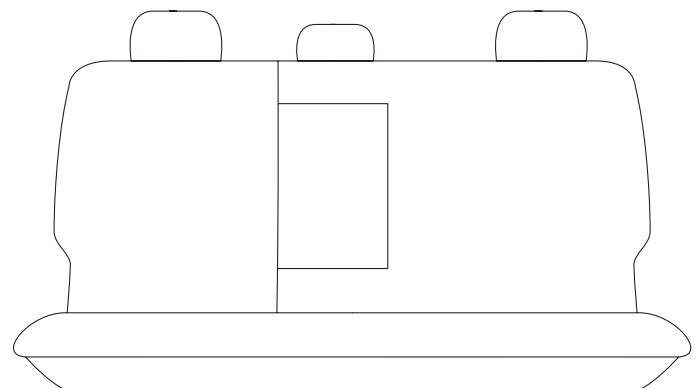
1163



1164



1165





SPERLING ENTERPRISES
16 HELLES AVE MOOREBANK
NSW, AUSTRALIA, 2170

Visit us at www.sperling.com.au
Phone: (02) 9821 1755
Fax: (02) 9601 1984
Email: sperling@sperling.com.au