



*Tailor Made
Seat Cover
Catalogue*

Ph: (02) 9821 1755
Fax: (02) 9601 1984



Order should be placed as follows;

Fabric / Colour / Part No. / Seat Row / Pic No.

Example:

Getaway	Black / Silver	TOY1005	Front	102c
Getaway	Black / Silver	TOY5029	Rear	1061

PLACE YOUR ORDER NOW!

ORDER OFFICE HOTLINE

Ph: (02) 9821 1755

Fax: (02) 9601 1984

Email: orders@sperling.com.au



TAILOR MADE CATALOGUE

Quick! Simple! Easy!

How to use this catalogue

Example:

Description/Model

Toyota Hilux
07/15 - current
SR, SR5 Dual Cab

Part No.

Front: TOY1005

Middle: N/A

Rear: TOY5029

Picture No.

Front: 102C

Middle: N/A

Rear: 1061



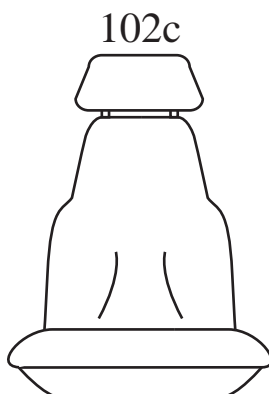
Important

This is the "KEY"
Information - vehicle,
make, year, model,
body type, etc.

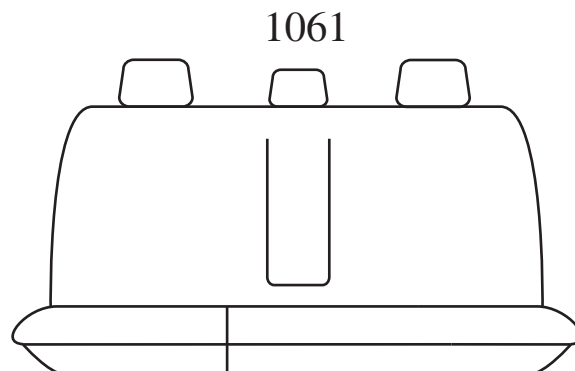


Every listing has
an illustration
to make it easy.

Compare customer's seat to illustration to check seat configuration is the same.



Depicts bucket seats
with separate headrests.



Depicts 40/60 split base.
Full backrest with 3 separate headrests
and centre armrest.

NOTE:

*REAR SEATS WITH ARMRESTS WILL HAVE ZIPPER OR VELCRO ALLOWANCE. ARMREST NOT ALWAYS COVERED SEPARATELY

***IF YOUR FRONT SEATS CONTAIN AIRBAGS WE NEED TO KNOW!!!**

PLEASE CONTACT CUSTOMER SERVICE ON 02 9821 1755 FOR FURTHER INFORMATION.



TAILOR MADE SEAT COVER ORDER FORM

PH: (02) 9821 1755 FX: (02) 9601 1984 EMAIL: orders@sperling.com.au

Date:	Phone Number:
Order Number:	Store Location:
Ordered by:	
Store Name:	Store/Branch Number:

Fabric Style :	(eg : Getaway)
Fabric Type :	(eg : Neoprene)
Fabric Colour :	(eg : Black/Silver)

IF THE FRONT SEAT HAS AIRBAGS (CONTAINED WITHIN THE SEAT) WE NEED TO KNOW

Part No.	Row	(<input checked="" type="checkbox"/>)	Picture No.	(<input checked="" type="checkbox"/>)	Airbag Allowance Req'd in Seat Cover	
	Front	<input type="checkbox"/>		<input type="checkbox"/>	Driver Airbag	<input type="checkbox"/> Passenger Airbag
	Middle	<input type="checkbox"/>			You MUST check FRONT seats for AIRBAG/S & <input checked="" type="checkbox"/> all relevant options (if contained within seat).	
	Rear	<input type="checkbox"/>				

IF YOU DO NOT KNOW THE PART / PIC NO.S - COMPLETE THE FOLLOWING

Vehicle Description	Example	Your Vehicle
Make	HYUNDAI	
Model	I30	
Sub Model	SR	
Year	2018	
Series	(PD)	
Body Style	4DR HATCH	
VIN or REGO	KMH551C	

Seat Configuration Tick ()

Front	<i>Airbags (if contained within seat)</i>	<input type="checkbox"/> Driver	<input type="checkbox"/> Passenger			
	<i>Seat Type</i>	<input type="checkbox"/> Buckets	<input type="checkbox"/> Full Bench	<input type="checkbox"/> Bkt & 3/4 Bench	<input type="checkbox"/> Centrefold Bench	
	<i>Headrest</i>	<input type="checkbox"/> 2 Separate	<input type="checkbox"/> 3 Separate	<input type="checkbox"/> Moulded	<input type="checkbox"/> None	
	<i>Armrest</i>	<input type="checkbox"/> Driver x 1	<input type="checkbox"/> Driver x 2	<input type="checkbox"/> Passenger x 1	<input type="checkbox"/> Passenger x 2	
Middle	<i>Back Rest</i>	<input type="checkbox"/> 60/40	<input type="checkbox"/> 40/60	<input type="checkbox"/> 50/50	<input type="checkbox"/> 40/20/40	<input type="checkbox"/> Full Bench
	<i>Base</i>	<input type="checkbox"/> 60/40	<input type="checkbox"/> 40/60	<input type="checkbox"/> 50/50	<input type="checkbox"/> Full Bench	
	<i>Headrest</i>	<input type="checkbox"/> 2 Separate	<input type="checkbox"/> 3 Separate	<input type="checkbox"/> Moulded	<input type="checkbox"/> None	
	<i>Armrest</i>	<input type="checkbox"/> Centre x 1	<input type="checkbox"/> Centre x 2	<input type="checkbox"/> Side x 2		
	<i>Side Bolsters</i>	<input type="checkbox"/> Yes	<input type="checkbox"/> No			
Rear	<i>Back Rest</i>	<input type="checkbox"/> 60/40	<input type="checkbox"/> 40/60	<input type="checkbox"/> 50/50	<input type="checkbox"/> 40/20/40	<input type="checkbox"/> Full Bench
	<i>Base</i>	<input type="checkbox"/> 60/40	<input type="checkbox"/> 40/60	<input type="checkbox"/> 50/50	<input type="checkbox"/> Full Bench	
	<i>Headrest</i>	<input type="checkbox"/> 2 Separate	<input type="checkbox"/> 3 Separate	<input type="checkbox"/> Moulded	<input type="checkbox"/> None	
	<i>Armrest</i>	<input type="checkbox"/> Centre x 1	<input type="checkbox"/> Centre x 2	<input type="checkbox"/> Side x 2		
	<i>Side Bolsters</i>	<input type="checkbox"/> Yes	<input type="checkbox"/> No			

Special Instructions:	TOTAL QTY

Please Note : Bench Seats with ARMRESTS will have zipper or velcro allowance. ARMRESTS are NOT always covered separately.

Existence of Airbags must be advised. Custom Fit seat covers are non-refundable.

Please do not hesitate to contact Customer Service on (02) 9821 1755 for further information.



There is a new part numbering system in town

After 40 years we have outgrown our part numbering system. We have tweaked it and changed it as we ran out of both letters and numbers but finally, we have had our Y2K moment. Our Ready Made range has necessitated that we move to a part numbering system that is based on seats rather than every vehicle having its own part number.

If car manufacturers could make the jump from 6v to 12v (and now to 24v or possibly 48v) then surely we should be able to pull this off.

The new part numbering system will be comprised of 3 letters followed by 4 numbers. We also still have an option to put a full stop in and then the picture number.

The 3 letters will refer to vehicle make and will generally be the first 3 letters in the name.

The 4 numbers will distinguish what pattern we actually use and that is the most important part.

- 1000 series numbers will be the first row of seat (i.e. fronts)
- 5000 series numbers will be the second row of seats (i.e. rears in 5 seaters and middles in 7 seaters)
- 9000 series numbers will be the third row of seats (i.e. rears in 7 seaters)

This new system will be phased in immediately for all new patterns and we will also be changing some of our existing patterns to reflect the new look part numbers.

For instance, the Ford Ranger Dual Cab XLT fronts that had an “old” part number of CF453.102c has been rebirthed as a FOR1003.102c. The rears for the same vehicle had an “old” part number of CF453.907 and have become FOR5001.907.

To really understand why we are doing this you should consider at the same time the (UR Series) Mazda BT50 XTR dual cab that had the “old” part numbers CZ215.102c for fronts and CZ215.907 for rears. These seats are the same as the Ford Ranger XLT listed above. The “new” BT50 XTR part numbers are MAZ1003.102c for the front and MAZ5001.907 for the rear. You will see that they share the same numbers as the Ranger and the letters just serve as a check measure.

This will allow you to very quickly see where the same seats are being used across multiple brands which has become common place.

If you have any questions please reach out to our friendly customer service team for advice.

Regards,

Peter Sperling

SPERLING ENTERPRISES PTY LTD
16 HELLES AVE MOOREBANK
NSW 2170 SYDNEY AUSTRALIA
TEL: (02) 9821 1444
FAX: (02) 9821 2641
EMAIL: sperling@sperling.com.au



22nd March 2023



OLD	NEW	OLD	NEW	OLD	NEW	OLD	NEW	OLD	NEW	OLD	NEW	OLD	NEW	
CA002F	CA001F	CF042F	CF014F	CG150F	CT062F	CI028R	9123	CQ001R	9179	CT236F		CT230F	CY114R	9116
CA003F	CA001F	CF043F	CF014F	CG173F	CG172F	CI030F	CI028F	CQ004R	9180	CT238F	1051		CY121F	1038
CA010F	CA001F	CF067F	CF063F	CG174F	CG172F	CI030R	9124	CQ008F	CQ004F	CT238M	5053		CY121R	5032
CA011F	CA001F	CF068F	CF063F	CG175F	CG172F	CI035F	CI021F	CQ014F	CQ009F	CT238R	9067		CY127F	CY126F
CA021F	CA020F	CF069F	CF063F	CG176F	CG172F	CI038F	CI037F	CQ016R	9181	CT239F	1024		CY131F	1036
CA022F	CA007F	CF091F	CF090F	CG179F	CG172F	CI039R	9125	CQ017R	9182	CT239M	5042		CY132M	5067
CA023F	CA008F	CF092F	CF090F	CG184F	CG172F	CI040F	CI039F	CQ034F	CQ018F	CT239R	9005		CY132R	9113
CA024F	CA008F	CF099F	CF098F	CG185F	CG133F	CI060F	CI058F	CQ035F	CQ033F	CT244F		CT199F	CY134F	1071
CA025F	CA008F	CF100R	9095	CG187F	CG133F	CI061F	CI058F	CQ036F	CQ051F	CT245F		CT199F	CY134M	5067
CA026F	CA008F	CF101R	9096	CG188F	CG133F	CI065F	1015	CQ038R	5176	CT245R	9088		CY140F	CY138F
CA027F	CA008F	CF112F	CF056F	CG191F	CT127F	CI066F	1015	CQ039F	CQ038F	CT267F		CT266F	CY143F	CY057F
CA031F	CA030F	CF114F	CF117F	CG192F	CT127F	CI066R	5015	CQ039R	5176	CT268F		1500	CY144F	CY057F
CA032F	CA030F	CF121R	9092	CG221F	CG220F	CI067R	9127	CQ040R	5176	CT268M		5382	CY147R	9114
CA034F	CA030F	CF122F	CF121F	CG222F	CG220F	CI068F	1073	CQ041F	CQ040F	CT269F		CT268F	CY251F	1039
CA035F	CA030F	CF123F	CF121F	CG228F	CG139F	CI068M	5069	CQ041R	5176	CT270F		1092	CY251R	5033
CA036F	CA030F	CF124F	CF120F	CG229F	CG139F	CI068R	9024	CQ043F	1021	CT270M		5080	CY252F	1039
CA038F	CA008F	CF125F	CD067F	CG234F	1068	CI069F	1074	CQ043R	5020	CT270R		9070	CY253F	1039
CA040F	CA029F	CF126F	CD067F	CG234R	5064	CI069R	5070	CQ049R	9178	CT271F		1092	CY253R	5033
CA043F	CA042F	CF136R	9094	CG235F	1068	CI070R	9126	CQ060F	CQ061F	CT271M		5078	CY262F	1037
CA044F	CA041F	CF148F	CF056F	CG237F	1181	CI071F	1326	CQ060R	5176	CT271R		CT270R	CY268F	1040
CA050F	CA029F	CF154F	CF153F	CG237R	5064	CI071R	5317	CQ068F	1475	CT272F		1184	CY268R	5034
CA051F	CA008F	CF161F	CF160F	CG240R	9105	CJ002F	CJ001F	CQ068M	5370	CT272R		5180	CY269F	1036
CA053F	CA052F	CF190F	CF116F	CG243R	9106	CJ007F	CJ001F	CQ068M	5370	CT274F		1494	CY271F	1171
CA055F	CA052F	CF191F	1499	CG257F	CG256F	CJ009F	CJ008F	CQ068R	9055	CT275F		CT274F	CY271R	5168
CA063F	CA052F	CF192F	CF402F	CG258F	CG256F	CJ014F	CJ008F	CQ076F	1022	CT278F		1081	CY272F	1437
CA065F	CA064F	CF200F	CF063F	CG260F	CG133F	CJ018F	CJ017F	CQ076R	5021	CT279R		9006	CZ013R	CF143R
CA083F	CA082F	CF203F	CF063F	CG267F	CG133F	CJ019F	CJ013F	CQ080R	CQ053R	CT281F		CT280F	CZ035F	CT033F
CA084F	1077	CF204F	CF063F	CG269F	CG133F	CJ022F	CJ021F	CQ085F	1226	CT283F		CT280F	CZ036F	CF160F
CA084R	5074	CF206F	CF205F	CG270F	CG133F	CJ025F	CJ020F	CQ090F	1183	CT286F		CT222F	CZ037F	CF160F
CA086R	9175	CF212F	CF211F	CG271F	CG133F	CK006R	9101	CQ090R	5176	CT287F		CT289F	CZ037F	CZ033F
CA087F	1176	CF215F	CF214F	CG275F	CG133F	CM014F	CM013F	CQ091F	1227	CT293F		CT039F	CZ052F	CZ055F
CA094F	CA093F	CF241F	1003	CG277F	CG133F	CM018F	CM017F	CQ094R	9183	CT298F		CT297F	CZ053F	CZ055F
CA095F	CA092F	CF241M	5046	CG278F	CG133F	CM019F	CM017F	CR021F	CR022F	CT301F		1025	CZ054F	CZ057F
CA097F	1042	CF241R	9023	CG280F	CG279F	CM019R	9145	CR024R	9128	CT303F		1048	CZ058F	CZ057F
CA098F	1042	CF247F	CF246F	CG282F	CG279F	CM027F	CM026F	CR028M	5290	CT304F		1048	CZ059F	CZ057F
CA098R	5044	CF248F	CF246F	CG284F	CG279F	CM028F	CM026F	CR028R	9129	CT306F		1026	CZ060F	CF056F
CA101F	1176	CF249R	9090	CG288F	CG133F	CM032F	CM029F	CR043F	CR037F	CT307R		9058	CZ061F	CZ055F
CA104F	1042	CF250F	CF249F	CG296F	CG297F	CM034F	CM029F	CR044F	CR020F	CT313R		9078	CZ063F	CZ055F
CA104R	5044	CF251F	CF249F	CG299F	1280	CM036F	CM038F	CS002F	CS001F	CT314F		1048	CZ064F	CZ055F
CA106F	CT455F	CF252F	CF249F	CG301F	1281	CM041R	CM040R	CS007F	CS006F	CT314R		5023	CZ069F	CZ068F
CA150F	1176	CF253R	9091	CG302F	1282	CM045R	CM040R	CS009F	CS008F	CT315F		1026	CZ073F	CZ072F
CA150R	5170	CF254F	CF253F	CG303F	1283	CM051R	9146	CS012F	CS006F	CT315R		5023	CZ074R	9134
CA154F	1078	CF261F	CF262F	CG304F	1284	CM052F	CM050F	CS013F	CS008F	CT316F		1048	CZ075F	CZ072F
CA154R	5075	CF267F	CF290F	CG351F	CG283F	CM053F	CM051F	CS016F	CS015F	CT317F		1026	CZ077R	9135
CD032F	CD031F	CF275F	CF094F	CG352F	CG279F	CM055F	CM051F	CS019R	9176	CT318F		1001	CZ079R	9136
CD033F	CD031F	CF278F	1012	CG353F	CG279F	CM056F	CM051F	CS020F	CS001F	CT318R		5023	CZ080R	9137
CD040R	9159	CF280F	CF205F	CG360F	CG359F	CM057F	CM050F	CS021F	CS001F	CT334F		CT288F	CZ106F	CF063F
CD043F	CD084F	CF283F	CF282F	CG361F	CG354F	CM059R	9149	CS023F	CS001F	CT335F		1032	CZ106F	CF205F
CD062R	9163	CF284F	CF281F	CG364F	1170	CM060R	9140	CS026F	CS018F	CT335R		5026	CZ108F	CZ107F
CD066F	CD069F	CF291F	CF290F	CG365F	1170	CM065R	9153	CS027R	9177	CT345M 2ND ROW		5387	CZ127F	CF246F
CD067F	CD067F	CF292F	CF290F	CG366F	1170	CM066R	9154	CS033F	CS032F	CT345M 3RD & 4TH ROW		5388	CZ130M	CZ044M
CD068F	CD067F	CF293F	CF290F	CG367F	1068	CM067R	9155	CS045F	CS044F	CT345R 5TH ROW		9057	CZ130R	9130
CD070R	9168	CF296F	CF290F	CG367R	5064	CM069R	9156	CS047F	CS044F	CT349F		1182	CZ132F	CZ131F
CD075F	CD067F	CF299F	CF290F	CG368F	1181	CM071R	9157	CS050F	CS049F	CT349M		5076	CZ133F	CZ131F
CD075R	9093	CF302F	CF301F	CG369F	1002	CM072R	9157	CS051F	CS049F	CT349R		9064	CZ135F	CZ134F
CD076F	CD067F	CF303F	CF290F	CG369R	5012	CM075R	9147	CS062F	CS061F	CT380F		1027	CZ137F	CZ136F
CD077F	CD067F	CF304F	CF301F	CG370F	1002	CM076R	9148	CS085F	CS084F	CT380M		5043	CZ138F	CZ136F
CD079R	9164	CF305F	CF301F	CG370R	5010	CM079F	CM075F	CS101F	CS100F	CT380R		9006	CZ139F	CZ136F
CD080F	CD067F	CF306F	CF301F	CG371F	1004	CM080R	9141	CS108F	CS107F	CT381F		1052	CZ154F	CZ151F
CD081F	CD067F	CF306R	5165	CG375F	1181	CM081R	9142	CS109F	CS107F	CT382F		1080	CZ155F	CZ151F
CD082R	9165	CF307F	CF301F	CG376F	1068	CM082R	9143	CS175F	CS049F	CT383R		9006	CZ163F	CZ165F
CD083M	5380	CF400F	CF191F	CG378F	1068	CM083R	9144	CS176F	CS049F	CT384F		1179	CZ175F	CZ153F
CD083R	9166	CF401F	CF191F	CG378R	5064	CM087F	CM086F	CS180F	1304	CT385F		1029	CZ177F	CZ176F
CD093F	CD092F	CF403F	CF402F	CG380F	1282	CM092F	CM091F	CS180R	5257	CT385R		5024	CZ178F	CZ176F
CD094F	CD214F	CF405F	CF309F	CG380R	5243	CM094F	CM091F	CS181F	1305	CT386F		1080	CZ179F	CZ176F
CD095F	CD092F	CF405R	5165	CG381R	5247	CM111F	CM110F	CS181R	5258	CT386R		5077	CZ194F	CZ192F
CD096F	CD097F	CF406F	CF309F	CG382R	5244	CM114F	CM110F	CT015F	CT014F	CT389F		CT388F	CZ195F	CZ193F
CD098F	CD092F	CF407F	1169	CG383F	CG137F	CM116F	CM110F	CT016F	CT014F	CT390F		CT299F	CZ197F	CZ196F
CD115R	9161	CF408R	9097	CG385F	1013	CM117F	CM110F	CT018F	CT014F	CT391F		1031	CZ198F	CZ196F
CD117F	CD115F	CF409F	1169	CG385M	5040	CM118F	CM110F	CT019F	CT014F	CT391R		5025	CZ202F	CZ201F
CD118F	1043	CF411F	1169	CG385R	9003	CM119F	CM110F	CT029R	9059	CT392F		1031	CZ203F	CZ201F
CD118M	5045	CF411M	5166	CG386F	1013	CM121F	CM120F	CT038F	CT037F	CT392R		5025	CZ204F	CZ174F
CD118R	9162	CF412F	CF408F	CG386M	5167	CM133F	CM132F	CT053F	CT052F	CT398F		CT289F	CZ210F	1168

CD120R	9160	CF412M	5166	CG386R	9003	CM137F	CM136F	CT054F	CT052F	CT399F	1032	CZ211F	1167
CD125F	1175	CF414F	CF413F	CG392F	CG391F	CM141F	CM076F	CT055F	CT052F	CT399R	5026	CZ211R	5174
CD125R	5169	CF415F	CF413F	CG395F	1004	CM143F	CM076F	CT056F	CT052F	CT400F	1032	CZ212F	1003
CD127F	1197	CF416F	CF413F	CG395R	5011	CM143R	9150	CT058F	CT057F	CT400R	5026	CZ212R	5002
CD127R	5169	CF421F	CF420F	CG396F	1002	CM150F	CM038F	CT059F	CT057F	CT401F	1032	CZ213F	1067
CD145F	CD144F	CF424F	CF418F	CG396R	5012	CM151F	CM038F	CT061F	CT057F	CT444F	1033	CZ214F	1003
CD146F	CD144F	CF425F	CF418F	CG397F	1004	CM152F	CM038F	CT063F	CT062F	CT444R	5027	CZ214R	5008
CD149F	CD144F	CF426F	CF418F	CG398F	1002	CM153F	CM039F	CT064F	CT062F	CT457F	1034	CZ215F	1003
CD155F	CD154F	CF431F	CF309F	CG398M	5047	CM155F	CM038F	CT067F	CT062F	CT458F	1034	CZ215R	5001
CD156F	CD153F	CF433R	5165	CG398R	9007	CM156F	CM038F	CT068F	CT062F	CT459F	1001	CZ218F	1041
CD158F	CD157F	CF435F	CF309F	CG400F	1002	CM157F	CM038F	CT069F	CT062F	CT459R	5028	CZ218R	5255
CD160R	9169	CF437R	5165	CG400M	5063	CM160F	CM131F	CT073F	CT072F	CT460F	1005	CZ219F	1041
CD161F	CD159F	CF438F	1166	CG400R	9007	CM173R	9139	CT080R	9080	CT460R	5029	CZ219R	5035
CD165F	CD164F	CF438R	5165	CG460F	1170	CM175F	1017	CT084R	9082	CT461F	1035	CZ225R	9131
CD166F	CD164F	CF439F	1166	CG461F	1509	CM175R	5016	CT085R	9083	CT462F	1005	CZ230F	1006
CD167F	CD164F	CF440F	CF436F	CG466F	1002	CM176F	1017	CT086R	9081	CT462R	5377	CZ230R	5072
CD168F	CD164F	CF441F	1166	CG466R	5011	CM176M	5016	CT090F	1505	CT463F	1005	CZ233F	1173
CD176F	CD175F	CF441R	5165	CG467F	1002	CM176R	9025	CT091F	CT100F	CT463R	5030	CZ234F	1173
CD177F	CD175F	CF442R	9089	CG467R	5014	CM182F	CM181F	CT092F	CT090F	CT464F	1303	CZ234R	5091
CD185F	CD184F	CF447F	1167	CG468F	1002	CM184F	CM181F	CT093F	CT090F	CT464M	5256	CZ235F	1006
CD186F	CD184F	CF447R	5174	CG468R	5014	CM185F	CM181F	CT095R	9068	CT464R	9060	CZ238F	1076
CD190R	9170	CF448F	1168	CG470F	1286	CM188F	CM187F	CT096F	CT095F	CT466F	1079	CZ238R	5079
CD191F	1008	CF449F	1003	CG471F	1287	CM192F	CM187F	CT096R	9068	CT466M	5076	CZ239F	1006
CD191R	5005	CF449R	5002	CG472F	1288	CM194F	CM193F	CT097F	CT090F	CT467F	1180	CZ239R	5036
CD192F	1008	CF450F	1003	CG473F	1289	CM201R	9138	CT098R	9069	CT467M	5173	CZ240F	1006
CD192R	5005	CF451F	1003	CG474F	1290	CM202F	CM201F	CT099F	1506	CT467R	9071	CZ240R	5037
CD194F	CD193F	CF451R	5008	CG475R	5245	CM204R	5017	CT099M	5378	CT468F	1024	CZ245F	1173
CD201F	1503	CF452F	1067	CG476R	5246	CM206F	CM205F	CT104F	CT101F	CT468R	5175	CZ246F	1006
CD203F	1009	CF453F	1003	CG477F	1170	CM206R	5017	CT105F	CT090F	CT469F	1052	CZ246R	5079
CD203M	5039	CF453R	5001	CG478F	1002	CM208R	5017	CT107F	CT100F	CT469R	9072	CZ247F	1172
CD203R	9001	CF456F	CF455F	CG479F	CG193F	CM211F	CM210F	CT120F	CT100F	CT470F	1177	CZ247R	9132
CD206F	CD204F	CF457F	CF455F	CG482F	1367	CM212R	9151	CT125F	CT090F	CT470R	5171	CZ249F	CZ248F
CD207F	1495	CF464F	CF462F	CG483F	1002	CM214R	9152	CT127R	CG023R	CT471F	1177	CZ250F	1075
CD207M	5376	CF465F	CF462F	CG483M	5063	CM216M	5041	CT128F	CT127F	CT472F	1178	CZ250R	5071
CD207R	9167	CF466F	CF430F	CG483R	9007	CM216R	9004	CT134F	CT132F	CT472R	5172	CZ251F	1003
CD209F	1501	CF467F	CF430F	CG486F	1002	CM218F	1018	CT135R 5TH ROW	9061	CT473F	1053	CZ252F	1075
CD210F	1175	CF469F	CF430F	CH018F	CH016F	CM218M	5041	CT136F	CT135F	CT474F	1252	CZ252R	5316
CD213F	1010	CF470F	CF430F	CH021F	CH019F	CM218R	9004	CT138F	CT137F	CT476F	1508	CZ253F	1094
CD213R	5006	CF471F	CF430F	CH026F	CH025F	CM219F	1018	CT140F	CT135F	CT476R	5053	CZ254F	1076
CD217F	1011	CF473R	5165	CH034F	CH032F	CM226F	1291	CT140R 5TH ROW	9062	CT477F	1048	CZ254R	5036
CD217R	5007	CF474F	CF459F	CH035F	CH032F	CM230R	5017	CT143R 5TH ROW	9063	CT477R	5023	CZ255F	1006
CD221M	5039	CF475F	1066	CH039F	CH038F	CM232R	5017	CT145R	9079	CT478F	1001	CZ256F	1172
CD221R	9001	CF475R	5062	CH041F	CH038F	CM233F	1016	CT150R	9075	CT478R	5023	CZ256R	9132
CD224F	1047	CF477F	1012	CH055F	CH052F	CM233R	5018	CT151R	9076	CT479F	1048	IV001F	1498
CD224R	5050	CF480F	CF430F	CH067F	CH064F	CM234F	1174	CT154F	CT187F	CT480F	CT481F	LD001F	1329
CD228F	CD227F	CG065R	9102	CH070R	9108	CM234R	5018	CT157F	CT156F	CT481F	1302	LD002F	1330
CD229F	CD227F	CG068R	9103	CH073R	9109	CM235F	1497	CT159R	9074	CU007F	CU006F	LD002M 2ND ROW	5357
CD230F	CD227F	CG070R	9104	CH075R	9110	CM244F	1333	CT160R	9077	CU008F	CU006F	LD002M 3RD ROW	5358
CD235F	1011	CG087F	CT127F	CH079F	CH076F	CM246M	5041	CT165F	CT183F	CU019F	CU017F	LD002R 4TH ROW	9052
CD235R	5073	CG091F	CG102F	CH082F	CH080F	CM246R	9004	CT173F	CT172F	CU041F	CU040F	LD003F	1330
CF008F	CF007F	CG092F	CG102F	CH086F	CH085F	CM260F	1046	CT175F	CT174F	CU051F	CU050F	LD003R	9053
CF011R	CF014R	CG093F	CG102F	CH088F	1045	CM260R	5049	CT177F	CT176F	CU056F	CU057F	LD004F	1330
CF015F	CF014F	CG099F	CG102F	CH088R	5048	CM281F	1502	CT179F	1504	CU071F	CU070F	ME023M	5152
CF015R	CF014R	CG100F	CG102F	CH111R	9111	CM286F	1020	CT179R	5379	CU091F	CU090F	ME023R	5152
CF016R	CF014R	CG103F	CG102F	CH112F	CH111F	CM287F	1020	CT184R	5381	CU103F	CU100F	PE014R	9171
CF017R	CF014R	CG104F	CG102F	CH112R	9112	CM287R	5019	CT185F	1507	CV004F	CV002F	RE004F	1335
CF018R	CF014R	CG105F	CG102F	CH123F	1069	CM299R	5017	CT186F	CT183F	CW004F	CW002F	RE006F	1496
CF019R	CF014R	CG113F	CT057F	CH124F	1070	CN010R	9098	CT191R	9084	CW005F	CW003F		
CF021F	CF014F	CG114F	CT057F	CH124R	5066	CN011F	CN010F	CT197R	9085	CW006F	CW002F		
CF021R	CF014R	CG115F	CT057F	CH125F	CH114F	CN011R	9098	CT198F	CT197F	CX002R	9174		
CF022F	CF019F	CG116F	CT057F	CH126F	1069	CN012R	9099	CT198R	9086	CX007F	CX003F		
CF022R	CF014R	CG118F	CT057F	CH126R	5065	CN028F	CN025F	CT199R	9087	CX007R	9173		
CF023F	CF019F	CG119F	CT057F	CH127F	1070	CN031F	CN030F	CT211R	CG023R	CY013R	CY021R		
CF024F	CF019F	CG122F	CT062F	CH127R	9107	CN042F	1072	CT220F	CT062F	CY022R	CY021R		
CF026R	CF014R	CG123F	CT062F	CI003R	9121	CN043F	1072	CT221F	CT062F	CY023R	CY021R		
CF027F	CF026F	CG130F	CG129F	CI005R	9120	CN043R	5068	CT223F	CT222F	CY024R	CY021R		
CF027R	CF014R	CG135M	5167	CI006R	9122	CN047F	CN029F	CT224F	CT222F	CY044F	1036		
CF028F	CF014F	CG135R	9003	CI014F	CI013F	CN049F	CN048F	CT225F	CT222F	CY045F	1036		
CF028F	CF026F	CG136F	CG135F	CI017F	CI007F	CN050F	1327	CT228F	CT226F	CY046F	1036		
CF029F	CF026F	CG136R	9003	CI020F	CI015F	CN053F	CN052F	CT230R	9065	CY063F	1037		
CF036F	CF014F	CG144F	CG143F	CI022F	CI028F	CN057R	5068	CT231F	CT230F	CY063R	5031		
CF038F	CF018F	CG149F	CG140F	CI024F	CI023F	CP013R	9172	CT234F	CT230F	CY100R	9117		
								CT234R	9066	CY113R	9115		

MAKE	MODEL	YEAR	SERIES & SUB MODEL	Front Pattern Number	Middle Pattern Number	Rear Pattern Number	Notes
ACE	EV	07/22 - CURRENT	TROLLEY VEHICLE	ACE1387.147			AOF AVAILABLE

MAKE	MODEL	YEAR	SERIES & SUB MODEL	Front Pattern Number	Middle Pattern Number	Rear Pattern Number	Notes
AUDI	A1	06/15 - 12/19	(8X) SPORTBACK HATCH	AUD1105.111		AUD5104.985	
AUDI	A3	09/14 - 12/20	(8V) HATCH & SEDAN	NPR		AUD5231.944	
AUDI	A4	07/08 - 02/20	(B8, B9) SEDAN	AUD1128.102C		AUD5124.1032	
AUDI	A4	07/08 - 02/20	(B8, B9) WAGON	AUD1128.102C		N/A	
AUDI	A4	02/20 - CURRENT	(B9) 45 TFSI QUATTRO S-LINE SEDAN	AUD1128.102C		AUD5124.1032	
AUDI	A5	03/12 - 07/17	(8T) 2DR COUPE	AUD1103.102C		AUD5101.1082	
AUDI	RS3	06/17 - CURRENT	(8V) QUATTRO SEDAN	AUD1093.143		AUD5090.1081	PULL OUT TRAY NOT ALLOWED FOR
AUDI	S3	07/21 - CURRENT	(8Y) 2.0 TFSI SEDAN	AUD1596.143		NPR	
AUDI	S3	07/21 - CURRENT	(8Y) 2.0 TFSI HATCH	AUD1596.143		NPR	
AUDI	S4	18 - CURRENT	(B9) TFSI QUATTRO SEDAN	AU001.102C		AU001.997	

MAKE	MODEL	YEAR	SERIES & SUB MODEL	Front Pattern Number	Middle Pattern Number	Rear Pattern Number	Notes
BE-GE	3100	24 - CURRENT	3100 SERIES SINGLE SEAT WITH DUAL ARMREST & HEADREST	BEG1541.182			A/O ONLY. ARMREST NOT COVERED. ONE PIECE WITH SEPARATE HEADREST.
BE-GE		22 - CURRENT		BEG1440.180			A/O ONLY. ARMREST & HEADREST NOT COVERED. HEADREST ALLOWED FOR. (BE-GE SEAT) MADE FOR CP1200W ROLLER
BE-GE	3400	22 - CURRENT	3400 SERIES SINGLE SEAT WITH DUAL ARMREST & HEADREST	BEG1407.182			A/O ONLY
BE-GE	9000	22 - CURRENT	9000 SERIES SINGLE SEAT WITH DUAL ARMREST & HEADREST	BEG1417.180			A/O ONLY

MAKE	MODEL	YEAR	SERIES & SUB MODEL	Front Pattern Number	Middle Pattern Number	Rear Pattern Number	Notes
BENGFENG	BF5-3	2008 - CURRENT	BF5-3 (2008) SEAT	BEN1642.255			AOF ONLY. SINGLE SEAT

MAKE	MODEL	YEAR	SERIES & SUB MODEL	Front Pattern Number	Middle Pattern Number	Rear Pattern Number	Notes
BMW	118i	03/07 - 09/11	(E87) 4DR HATCH	CB009.102C		CB009.926	
BMW	118i	10/11 - 10/19	(F20) 4DR HATCH	BMW1115.102C		BMW5114.926	
BMW	120i	10/04 - 09/11	(E87) 4DR HATCH	CB005.102C		CB005.926	
BMW	318i	12/87 - 03/91	(E30) 2DR COUPE & SEDAN	CB002.115		CB002.701	
BMW	318i	11/93 - 11/98	(E36) SEDAN	CB008.102C		CB008.701	
BMW	320i	04/91 - 03/98	(E36) SEDAN	CB003.101C		CB003.805	
BMW	320i	08/04 - 02/10	(E90) SEDAN	CB010.102C		CB010.950	REAR ARMREST NOT COVERED
BMW	330Ci	09/00 - 09/06	(E46) 2DR COUPE	CB002.115		CB002.701	DOES NOT FIT M SPORT MODELS WITH OPTIONED LEATHER SEATS AND SEAT CONTROLS
BMW	4 SERIES	05/14 - 05/20	(F36) 4DR GRAN COUPE	CB012.108C		CB012.1073	
BMW	4 SERIES	04/17 - 05/20	(F33) 2DR CONVERTIBLE	BMW1065.142		BMW5061.1079	
BMW	525E	01/86 - 08/88	(E28) SEDAN	CB001.101B		CB001.805	
BMW	X1	04/10 - 08/12	(E84) SDRIVE 18i SUV	BMW1130.102C		BMW5128.1076	
BMW	X3	11/17 - 08/21	(G01) SDRIVE, XDRIVE SUV	BMW1185.121		BMW5179.1064	
BMW	X3	08/24 - CURRENT	(G45) 20X DRIVE SUV	BMW1674.216		BMW5488.1064	
BMW	X4	06/14 - 04/18	(F26) X-DRIVE 35D COUPE	CB013.102C		CB013.1076	
BMW	X5	01/04 - 02/07	(E53) SUV			CB006.913	
BMW	X5	04/23 - CURRENT	(G05) X DRIVE 40i M SPORT SUV	BMW1675.121		BMW5489.1064	REAR ARMREST NOT COVERED

MAKE	MODEL	YEAR	SERIES & SUB MODEL	Front Pattern Number	Middle Pattern Number	Rear Pattern Number	Notes
BYD	ATTO 2	05/25 - CURRENT	(SC3E) DYNAMIC SUV	BYD1681.		BYD5494.	
BYD	ATTO 2	05/25 - CURRENT	(SC3E) PREMIUM SUV	BYD1681.		NPR	
BYD	ATTO 3	21 - CURRENT	ALL BADGES ELECTRIC WAGON	BYD1418.199		BYD5336.525	RM - GBR
BYD	DOLPHIN	09/23 - CURRENT	ALL BADGES ELECTRIC HATCH	BYD1628.146		BYD5437.995	
BYD	SEALION 6	05/24 - CURRENT					
BYD	SEALION 7	01/25 - CURRENT	ALL BADGES ELECTRIC SUV	BYD1581.228		BYD5416.924	REAR ARM REST NOT COVERED
BYD	SHARK 6	07/24 - CURRENT	ALL BADGES, DUAL CAB UTE	BYD1580.216		BYD5415.907	RM - TRB. AOF AVAILABLE

MAKE	MODEL	YEAR	SERIES & SUB MODEL	Front Pattern Number	Middle Pattern Number	Rear Pattern Number	Notes
CASE	DOZER	22 - CURRENT	ALL BADGES DOZER	CAS1404.174			SINGLE SEAT. A/O ONLY.
CASE	EXCAVATOR	17 - CURRENT	CX17 EXCAVATOR	CAS1482.187			SINGLE SEAT. A/O ONLY.
CASE	EXCAVATOR	22 - CURRENT	CX58D EXCAVATOR	CAS1524.235			SINGLE SEAT. A/O ONLY.
CASE	EXCAVATOR	22 - CURRENT	CX60C & ONWARDS EXCAVATOR	CAS1345.173			SINGLE SEAT. ONE PIECE BACKREST TO COVER HEADREST & BACKREST. A/O ONLY.
CASE	ROLLER	22 - CURRENT	ALL BADGES ROLLER	CAS1402.179			SINGLE SEAT. A/O ONLY.
CASE	SKID STEER	22 - CURRENT	ALL BADGES LOADER	CAS1346.174			SINGLE SEAT. A/O ONLY.
CASE	WHEEL LOADER	22 - CURRENT	ALL BADGES WHEEL LOADER	CAS1403.197			SINGLE SEAT. A/O ONLY.

MAKE	MODEL	YEAR	SERIES & SUB MODEL	Front Pattern Number	Middle Pattern Number	Rear Pattern Number	Notes
CHERY	C5 (OMODA C5)	12/22 - CURRENT	(T34) ALL BADGES SUV	CHY1547.199		CHY5410.1080	
CHERY	E5 (OMODA E5)	06/24 - CURRENT	(T34) ALL BADGES SUV	CHY1547.199		CHY5410.1080	
CHERY	J11	02/11 - 02/14	(T1X) WAGON	HC001.102C		HC001.947	
CHERY	TIGGO 4	08/24 - CURRENT	(T3X) ALL BADGES SUV	CHY1547.199		CHY5397.523	
CHERY	TIGGO 7	08/23 - CURRENT	(T32) ALL BADGES SUV	CHY1547.199		CHY5397.523	

MAKE	MODEL	YEAR	SERIES & SUB MODEL	Front Pattern Number	Middle Pattern Number	Rear Pattern Number	Notes
CHEVROLET	CAMARO	08/18 - 12/23	(G6) 2SS COUPE	CHE1134.102C		N/A	REAR NOT AVAILABLE
CHEVROLET	SILVERADO	03/20 - CURRENT	(T1 / 1500) LT TRAIL BOSS, LTZ DUAL CAB	CHE1518.121		N/A	REAR NOT AVAILABLE
CHEVROLET	SILVERADO	09/21 - CURRENT	(2500) LTZ DUAL CAB	CHE1518.121		N/A	REAR NOT AVAILABLE

MAKE	MODEL	YEAR	SERIES & SUB MODEL	Front Pattern Number	Middle Pattern Number	Rear Pattern Number	Notes
CHRYSLER	300C	11/05 - 09	SEDAN	CN014.102C		CN014.1016	
CHRYSLER	300C	06/06 - 03/10	WAGON	CN014.102C		CN014.1016	
CHRYSLER	300	07/12 - 01/24	C LUXURY SEDAN	CN016.102C		CN016.1074	ARMREST NOT COVERED
CHRYSLER	GRAND VOYAGER	10/97 - 04/01	(GS) SE WAGON	CN010.107	CN010.109	CHR9098.714	
CHRYSLER	GRAND VOYAGER	05/01 - 09/06	(RG) WAGON	CN012.107	CN012.988	CHR9099.984	
CHRYSLER	NEON	07/96 - 07/02	(JA) SEDAN	CN001.102		CN001.712	
CHRYSLER	PT CRUISER	07/00 - 03	(PT) WAGON	CN005.107		CN005.897	DRIVER'S SIDE ARMREST
CHRYSLER	PT CRUISER	02 - 12/05	(PG) TOURING WAGON	CN007.107		CN006.897	
CHRYSLER	PT CRUISER	02 - 11/05	(PG) CLASSIC, LIMITED WAGON	CN006.107		CN006.897	
CHRYSLER	PT CRUISER	12/05 - 10	(PG) WAGON	CN008.102A		CN006.897	
CHRYSLER	VOYAGER	02/97 - 04/01	(GS) SE SPORTS WAGON	CN010.107	CN011.718	CHR9098.714	

MAKE	MODEL	YEAR	SERIES & SUB MODEL	Front Pattern Number	Middle Pattern Number	Rear Pattern Number	Notes
CITROEN	BERLINGO	10/16 - 03/19	L1, M CONFORT Vti 3DR VAN	CIT1088.412			
CITROEN	C2	09/03 - 12/08	2DR HATCH	CK002.108C		CK002.521	
CITROEN	C4	02/06 - 09/11	HDI 4DR HATCH	CK007.102C		CK007.987	
CITROEN	C4 CACTUS	02/16 - 12/17	(E3) EXCLUSIVE 1.6 E-HDI WAGON	CK009.118C		CK009.1015	
CITROEN	C4 CACTUS	09/14 - 03/19	(E3) PURETECH WAGON	CK010.101C		CK010.1015	
CITROEN	C4 PICASSO	09/07 - 01/13	HDI 4DR WAGON	CK006.107C	CK006.990	CIT9101.931	
CITROEN	C5	06/05 - 08/08	HATCH	CK001.107C		CK001.972	

MAKE	MODEL	YEAR	SERIES & SUB MODEL	Front Pattern Number	Middle Pattern Number	Rear Pattern Number	Notes
CLAAS	TRACTOR	07 - CURRENT	ARES, ARION, ATLES, ATOS, AXION, AXOS, CELTIS, XERION 781 & 782 (EXCLUDES ARION 600 SERIES & AXION 800/900 SERIES FROM 2013+) TRACTOR WITH GRAMMER 721, 731, 741 DRIVER SEAT ONLY.	CLA1361.183			AOF ONLY. GRAMMER 721, 731, 741 DRIVER SEAT - WITHOUT HEATING, CLIMATE CONTROL AND DUALMOTION HEADREST.
CLAAS	TRACTOR	N/A	ARION 650-610, 650-620, 660-510 & AXION 870-810, 950-920, 960-930 TRACTOR WITH SEARS D55 SEAT	CLA1415.198			AOF ONLY. SEARS D55 DRIVER SEAT. ARMRESTS NOT COVERED

MAKE	MODEL	YEAR	SERIES & SUB MODEL	Front Pattern Number	Middle Pattern Number	Rear Pattern Number	Notes
COBO	M98	CURRENT	HIGH BACKREST, INTERACTIVE COMFORT SEAT (ICS) TO SUIT MAGNI TELEHANDLER RTH5.18	COB1572.245			AOF ONLY. SINGLE SEAT
COBO	M293	CURRENT	HIGH BACKREST, INTERACTIVE COMFORT SEAT (ICS) TO SUIT MAGNI TELEHANDLER RTH5.18	COB1572.245			AOF ONLY. SINGLE SEAT

MAKE	MODEL	YEAR	SERIES & SUB MODEL	Front Pattern Number	Middle Pattern Number	Rear Pattern Number	Notes
DAEWOO	1.5i	07/94 - 10/95	SEDAN	CJ001.101C		CJ001.802	
DAEWOO	1.5i	07/94 - 10/95	2DR & 4DR HATCH	CJ001.101C		CJ002.508	
DAEWOO	CIELO	10/95 - 96	GL 2DR HATCH	CJ005.101C		CJ004.704	
DAEWOO	CIELO	10/95 - 07/97	GL 4DR HATCH	CJ004.101C		CJ004.704	
DAEWOO	CIELO	10/95 - 07/97	GL, GLX SEDAN	CJ006.101C		CJ001.802	
DAEWOO	CIELO	10/95 - 07/97	GLX 4DR HATCH	CJ010.101		CJ010.509	
DAEWOO	CIELO	96 - 02/98	GL 2DR HATCH	CJ001.101C		CJ007.802	
DAEWOO	ESPERO	95 - 97	CD SEDAN	CJ003.102C		CJ003.803	
DAEWOO	KALOS	04/03 - 12/04	(T200) SEDAN	CJ028.102C		CJ028.887	DM
DAEWOO	LACETTI	09/03 - 12/04	(J200) SEDAN	CJ029.102C		CJ029.965	
DAEWOO	LANOS	08/97 - 98	SE 2DR HATCH	CJ008.101C		CJ008.829	
DAEWOO	LANOS	08/97 - 98	SE 4DR HATCH	CJ008.101C		CJ008.829	
DAEWOO	LANOS	08/97 - 00	SEDAN	CJ008.101C		CJ014.802	
DAEWOO	LANOS	98 - 00	2DR HATCH	CJ017.101C		CJ017.808	
DAEWOO	LANOS	98 - 03/03	SE 4DR HATCH	CJ017.101C		CJ017.808	
DAEWOO	LANOS	00 - 03/03	SEDAN	CJ021.102C		CJ021.808	
DAEWOO	LANOS	00 - 03/03	2DR HATCH	CJ021.102C		CJ021.808	
DAEWOO	LEGANZA	07/97 - 01/04	(V100) 2.2, SX SEDAN	CJ013.102		CJ013.881	
DAEWOO	MATIZ	10/99 - 02	(M100) SE 2DR HATCH	CJ023.102C		CJ023.906	
DAEWOO	MATIZ	02 - 12/04	(M150) SE 2DR HATCH	CJ024.102C		CJ024.906	
DAEWOO	NUBIRA	06/97 - 05/03	(J100, J150) CDX EUROWAGON	CJ011.101C		CJ011.878	
DAEWOO	NUBIRA	06/97 - 02	(J100, J150) SEDAN	CJ012.101C		CJ012.802	
DAEWOO	NUBIRA	05/98 - 99	(J100, J150) CDX SEDAN	CJ015.101		CJ011.878	
DAEWOO	NUBIRA	05/98 - 02	(J100, J150) SE, X HATCH	CJ016.101		CJ011.878	
DAEWOO	NUBIRA	99 - 00	(J100, J150) CDX SEDAN	CJ016.101		CJ011.878	
DAEWOO	NUBIRA	00 - 06	(J100, J150) CDX SEDAN OR WAGON	CJ020.102C		CJ020.904	
DAEWOO	TACUMA	11/00 - 12/04	WAGON	CJ024.107		CJ024.914	DRIVER'S SIDE ARMREST

MAKE	MODEL	YEAR	SERIES & SUB MODEL	Front Pattern Number	Middle Pattern Number	Rear Pattern Number	Notes
DAF	CF	07 - 20	75, 85 MANUAL TRANSMISSION TRUCK	DF001.124			
DAF	CF	07 - 20	75, 85 AUTOMATIC TRANSMISSION TRUCK	DF002.123			
DAF	LF	07 - CURRENT	45, 55 MANUAL TRANSMISSION TRUCK	DF001.124			
DAF	LF	07 - CURRENT	45, 55 AUTOMATIC TRANSMISSION TRUCK	DF002.123			
DAF	LF	17 - CURRENT	280 3 SEAT TRUCK	DF041.137			A/O ONLY
DAF	XF	08 - 20	105 2 SEAT TRUCK	DF003.125			

MAKE	MODEL	YEAR	SERIES & SUB MODEL	Front Pattern Number	Middle Pattern Number	Rear Pattern Number	Notes
DAIHATSU	APPLAUSE	10/89 - 11/92	RI SPORTS SEDAN	CU042.101C		CU041.811	
DAIHATSU	APPLAUSE	10/89 - 02/94	SEDAN LI	CU040.101C		CU040.702	
DAIHATSU	APPLAUSE	10/89 - 12/97	SEDAN XI	CU040.101C		CU041.811	
DAIHATSU	CENTRO	95 - 98	2DR & 4DR HATCH	CU070.102C		CU070.707	
DAIHATSU	CHARADE	78 - 83	4DR HATCH	CU001.101C		CU001.702	
DAIHATSU	CHARADE	83 - 87	CX HATCH	CU002.101		CU002.829	
DAIHATSU	CHARADE	83 - 87	CS, TE HATCH			CU016.829	
DAIHATSU	CHARADE	85 - 88	TURBO HATCH	CU003.101A		CU002.829	
DAIHATSU	CHARADE	88 - 91	CR, CS, CX, CXT 4DR HATCH	CU005.101		CU004.829	
DAIHATSU	CHARADE	10/88 - 92	CS 4DR HATCH			CU015.702	
DAIHATSU	CHARADE	10/88 - 07/93	CS, CX, CXT HATCH			CU004.829	
DAIHATSU	CHARADE	10/88 - 07/93	TS HATCH	CU006.101A		CU006.702	
DAIHATSU	CHARADE	07/89 - 07/93	SG SEDAN	CU006.101A		CU008.808	
DAIHATSU	CHARADE	92 - 93	CS 4DR HATCH			CU009.702	
DAIHATSU	CHARADE	06/93 - 04/96	CS HATCH	CU006.101A		CU007.829	
DAIHATSU	CHARADE	06/93 - 04/96	CX 4DR HATCH	CU006.101A		CU007.829	
DAIHATSU	CHARADE	08/94 - 12/97	DI, SI SEDAN	CU006.101A		CU007.829	
DAIHATSU	CHARADE	05/96 - 97	CS 2DR & 4DR HATCH	CU017.101		CU017.808	
DAIHATSU	CHARADE	97 - 11/99	CS 2DR & 4DR HATCH	CU017.101		CU019.808	
DAIHATSU	CHARADE	07/03 - 07	2DR HATCH	CU014.101C		CU014.711	
DAIHATSU	CUORE	07/00 - 09/03	2DR HATCH			CU101.808	
DAIHATSU	DELTA	11/84 - 05/98	DUAL CAB	CU057.302		CU057.701	
DAIHATSU	DELTA	89 - 12/02	2 - 3 TONNE WIDE CAB TRUCK	CU055.304			
DAIHATSU	DELTA	89 - 12/02	2 - 3 TONNE NARROW CAB TRUCK	CU057.302			
DAIHATSU	DELTA	12/02 - 05	(V118RD) NARROW CAB TRUCK	DAI1411.304			FABRIC SKIRT PATTERN
DAIHATSU	FEROZA	10/88 - 12/93	CX SOFT TOP	CU052.102C		CU052.702	
DAIHATSU	FEROZA	10/88 - 11/92	DX, EL RESIN TOP	CU050.101C		CU050.701	
DAIHATSU	FEROZA	11/92 - 12/93	SXP II HARDTOP	CU050.101C		CU051.848	
DAIHATSU	FEROZA	09/96 - 03/98	LIMITED EDITION RESIN TOP	CU050.101C		CU051.848	
DAIHATSU	HANDIVAN	86 - 90	1000 CAB DELUXE VAN	CU010.102		CU010.702	
DAIHATSU	HANDIVAN	88 - 91	L80V VAN	CU012.102			
DAIHATSU	HANDIVAN	95 - 98	L500S VAN	CU070.102C			
DAIHATSU	HIJET	84 - 89	DELUXE VAN			CU010.702	
DAIHATSU	MIRA	04/92 - 04/95	MS, MX HATCH			CU046.702	
DAIHATSU	PYZAR	02/97 - 07/00	2WD WAGON			CU080.811	
DAIHATSU	ROCKY	06/84 - 01/89	DX, EX LWB HARDTOP	CU020.104		CU020.702	
DAIHATSU	ROCKY	06/84 - 01/89	DX, EX SWB HARDTOP	CU021.101C		CU021.830	
DAIHATSU	ROCKY	84 - 93	F75V HARDTOP	CU024.102		CU024.704	
DAIHATSU	ROCKY	93 - 99	F78V HARDTOP			CU025.802	
DAIHATSU	SIRION	07/98 - 02	4DR HATCH	CU100.102		CU100.808	
DAIHATSU	SIRION	03 - 02/05	4DR HATCH	CU100.102		CU103.802	
DAIHATSU	TERIOS	07/97 - 12/05	DX SUV	CU090.102C		CU090.503	DM
DAIHATSU	TERIOS	07/97 - 12/05	SX SUV	CU090.102C		CU091.709	DM
DAIHATSU	YRV	07/01 - 01/05	(M201G) 4DR HATCH	CU095.102D		CU095.931	

MAKE	MODEL	YEAR	SERIES & SUB MODEL	Front Pattern Number	Middle Pattern Number	Rear Pattern Number	Notes
DFAC	CAPTAIN	22 - CURRENT	CAPTAIN E 4500 / 6000 TRUCK	DFA1608.249			AOF ONLY. MT105

MAKE	MODEL	YEAR	SERIES & SUB MODEL	Front Pattern Number	Middle Pattern Number	Rear Pattern Number	Notes
DIECI	CEMENT MIXER	20 - CURRENT	F7000, L3500 & L4700 CEMENT MIXER	DIE1512.314			AOF ONLY
DIECI	DUMPER	20 - CURRENT	DUMPER 7000	DIE1512.314			AOF ONLY
DIECI	TELEHANDLER	20 - CURRENT	PEGASUS - CLASSIC, ELITE & ESSENTIAL TELEHANDLER	DIE1511.167			AOF ONLY
DIECI	TELEHANDLER	17 - CURRENT	ACTIVO S55 SERIES BVB1156 OPERATOR SEAT	DIE1447.222			AOF ONLY
DIECI	TELEHANDLER	24 - CURRENT	4T ICARUS & RUNNER TELEHANDLER	DIE1556.222			AOF ONLY

MAKE	MODEL	YEAR	SERIES & SUB MODEL	Front Pattern Number	Middle Pattern Number	Rear Pattern Number	Notes
DODGE	NITRO	06/07 - 06/12	(KA) SXT, SX-R SUV	DOD1144.102C		DOD5141.1097	

MAKE	MODEL	YEAR	SERIES & SUB MODEL	Front Pattern Number	Middle Pattern Number	Rear Pattern Number	Notes
DONGFENG	EQ6760	18 - CURRENT	28 SEAT BUS, SINGLE SEAT	DON1371.524			A/O ONLY. UNIVERSAL SEATBELT ALLOWANCE (FROM LEFT OR RIGHT)

MAKE	MODEL	YEAR	SERIES & SUB MODEL	Front Pattern Number	Middle Pattern Number	Rear Pattern Number	Notes
DYNAPAC	ROLLER	22 - CURRENT	(BE-GE 3400 SEAT) ROLLER	DYN1407.182			A/O ONLY
DYNAPAC	ROLLER	22 - CURRENT	CC1100VI & CC1200VI ROLLER	DYN1410.179			A/O ONLY. ARMREST NOT COVERED.
DYNAPAC	ROLLER	22 - CURRENT	(BE-GE 9000 SEAT) CA35, CA1500PD, CA3500D, CA4600, CA5000D, CA6000D, CC2200, CO2200, CP224, CP274, CP2100 & CS1400 VI ROLLERS WITH HEADREST	DYN1417.180			A/O ONLY
DYNAPAC	ROLLER	22 - CURRENT	CA1500D, CA3500D, CA4000D, CA4600D & CA5000D ROLLER WITHOUT HEADREST	DYN1481.229			A/O ONLY
DYNAPAC	ROLLER	22 - CURRENT	CA50, CA55 ROLLER	DYN1559.320			A/O ONLY
DYNAPAC	ROLLER	22 - CURRENT	(BE-GE SEAT) CP1200W ROLLER	DYN1440.180			A/O ONLY. ARMREST & HEADREST NOT COVERED. HEADREST ALLOWED FOR.
DYNAPAC	ROLLER	22 - CURRENT	CC1250 ROLLER	DYN1479.179			A/O ONLY
DYNAPAC	ROLLER	22 - CURRENT	CC1400 ROLLER	DYN1486.179			A/O ONLY
DYNAPAC	SD1800W	22 - CURRENT	WHEELED PAVER	DYN1392.188			A/O ONLY
DYNAPAC	SD2500	22 - CURRENT	DUAL SEAT ROLLER	DYN1461.109C			A/O ONLY. ARMRESTS NOT COVERED

MAKE	MODEL	YEAR	SERIES & SUB MODEL	Front Pattern Number	Middle Pattern Number	Rear Pattern Number	Notes
FARIZON	SUPERVAN	12/24 - CURRENT	SV2 VAN	FAR1669.412			
FARIZON	SUPERVAN	12/24 - CURRENT	SV3	FAR1668.176			

MAKE	MODEL	YEAR	SERIES & SUB MODEL	Front Pattern Number	Middle Pattern Number	Rear Pattern Number	Notes
FIAT	500	02/10 - 04/18	ALL BADGES 2DR HATCH	FIA1249.102G		FIA5230.1118	
FIAT	500X	11/15 - CURRENT	ALL BADGES SUV	FIA1188.102G		FIA5182.1008	
FIAT	DUCATO	02/07 - CURRENT	CAMPER VAN	FIA1206.109C			
FIAT	DUCATO	02/07 - CURRENT	AUTO TRAIL SEATS CAMPER VAN	FIA1255.163			RM - GBB
FIAT	DUCATO	09 - CURRENT	ALL BADGES VAN	FI001.139			

MAKE	MODEL	YEAR	SERIES & SUB MODEL	Front Pattern Number	Middle Pattern Number	Rear Pattern Number	Notes
FORD	CAPRI	90 - 93	(SA, SB, SC) 2DR CONVERTIBLE	CF133.102A		CF133.701	
FORD	CAPRI	93 - 95	(SE) XR2 2DR CONVERTIBLE	CF134.102A		CF133.701	
FORD	CORSAIR	89 - 92	(UA) GL SEDAN	CF153.101A		CF153.831	
FORD	CORSAIR	89 - 92	(UA) GHIA SEDAN	CF153.101A		CF154.810	
FORD	CORSAIR	89 - 92	(UA) GL SUPER HATCH	CF153.101A		CD104.846	
FORD	CORSAIR	89 - 92	(UA) GHIA SUPER HATCH	CF153.101A		CF156.847	
FORD	COURIER	88 - 02/99	(PB, PC, PD) XL DUAL CAB	CF116.101C		CF116.701	
FORD	COURIER	88 - 04/96	(PB, PC) XL DUAL CAB	CF117.202		CF116.701	
FORD	COURIER	88 - 02/99	(PB, PC, PD) LITE SINGLE CAB	CF117.202			NO SEAT BELT HOLES
FORD	COURIER	86 - 02/99	(PB, PC, PD) ALL BADGES SINGLE CAB	CF113.203			
FORD	COURIER	02/99 - 02	(PE) XL SINGLE CAB	FOR1499.202			
FORD	COURIER	02/99 - 12/06	(PE, PG, PH) GL, XLT DUAL CAB	CF402.102C		CF192.801	
FORD	COURIER	02/99 - 12/06	(PE, PG, PH) GL SINGLE CAB	FOR1499.202			
FORD	COURIER	02/99 - 12/06	(PE, PG, PH) GL DUAL CAB	CF402.102C		CF402.704	
FORD	COURIER	02/99 - 12/06	XL SINGLE CAB	CF402.102C			
FORD	COURIER	02/99 - 12/06	(PE, PG, PH) SUPERCAB	CF404.102C		CF404.902	
FORD	ECONOVAN	06/79 - 04/84	VAN	CF055.406		CF055.702	
FORD	ECONOVAN	06/79 - 04/84	100 VAN	CF147.304			
FORD	ECONOVAN	06/79 - 04/84	80 VAN	CF110.302		CF056.702	
FORD	ECONOVAN	04/84 - 05/97	MAXI VAN	CF056.302		CF056.702	
FORD	ECONOVAN	04/84 - 05/97	XL VAN	CF056.302		CF056.702	
FORD	ECONOVAN	05/97 - 01	ALL BADGES VAN	CF058.301			
FORD	ECOSPORT	10/13 - 12/17	(BK) TITANIUM, TREND SUV	CF459.102C		CF459.984	
FORD	ECOSPORT	10/13 - 10/19	(BK) AMBIENTE SUV	CF459.102C		CF459.984	
FORD	ECOSPORT	12/17 - 10/19	(BL) TITANIUM, TREND SUV	CF481.101C		CF481.987	
FORD	ENDURA	11/18 - CURRENT	(CA) ST-L, TITANIUM, TREND SUV	FOR1211.102C		FORS200.523	NO DVD ALLOWANCE IN FRONT HEADRESTS
FORD	ESCAPE	02/01 - 05/06	(BA, ZA, ZB) V6 XLS, XLT SUV	CF245.101C		CF245.509	DM
FORD	ESCAPE	06/06 - 03/08	(ZC) XLT 4X4 SUV	CF246.101C		CF246.912	DM
FORD	ESCAPE	06/06 - 03/08	(ZC) XLS 4X4 SUV	CF246.101C		CF247.947	DM
FORD	ESCAPE	04/08 - 01/12	(ZD) XLS, XLT SUV	CF246.101C		CF246.912	DM
FORD	ESCAPE	10/16 - 04/20	(ZG) ALL BADGES SUV	FOR1066.102C		FORS062.1022	RM- G2B, WEB
FORD	ESCAPE	04/20 - 12/24	(ZH) ST-LINE PETROL SUV	FOR1254.102C		FORS232.991	RM - TRG. A/O AVAILABLE
FORD	ESCAPE	04/20 - 12/24	(ZH) ST-LINE PHEV, VIGNALE SUV	FOR1254.102C		FORS373.1156	RM1254 - TRG. A/O AVAILABLE
FORD	EVEREST	07/15 - 05/22	(UA) AMBIENTE, SPORT, TREND SUV	FOR1003.102C	FOR5046.987	FOR9023.931	RM1003 - EMB, G2B, GBB, GBL, GBO, STB, STC, TRB, TRG, WEB. RM5046 - G2B, GBB, WEB. RM9023 - G2B. AOF AVAILABLE 1003.
FORD	EVEREST	07/15 - 05/22	(UA) TITANIUM SUV	FOR1396.102C	FOR5046.987	FOR9023.931	RM5046 - G2B, GBB, WEB. RM9023 - G2B
FORD	EVEREST	06/22 - CURRENT	(MY23.5) ALL BADGES SUV	FOR1351.121	FOR5319.979	FOR9043.931	RM1351 - EMB, G2B, GBB, GBL, GBO, RCB, STB, STC, TRB, TRG, WEB. RM5319 - G2B, GBB, GBL. RM9043 - GBB. AOF AVAILABLE 1351 & 5319.
FORD	EXPEDITION	97 - 04	XLT SUV	CF442.116	CF442.515	FOR9089.802	
FORD	EXPLORER	10/96 - 06/99	(UN, UP) XLT SUV	CF249.110		FORS288.876	
FORD	EXPLORER	10/96 - 06/99	(UN, UP) XL SUV	CF249.110	FORS288.876	FOR9090.704	
FORD	EXPLORER	06/99 - 10/01	(UQ, US) XLT SUV	CF249.110	FORS288.876	FOR9090.704	
FORD	EXPLORER	11/01 - 03	(UT, UX, UZ) XLT SUV	CF253.102C	CF253.933	FOR9091.934	
FORD	EXPLORER	03 - 01/08	(UT, UX, UZ) XLT SUV	CF253.102C	CF254.959	FOR9091.934	
FORD	F SERIES	67 - 94	F250 UTE	CF090.201			
FORD	F SERIES	70 - 89	F350 UTE	CF090.201			
FORD	F SERIES	74 - 12/87	F100 UTE	CF090.201			
FORD	F SERIES	08/87 - 12/92	F150 UTE	CF090.201			
FORD	F SERIES	07/01 - 06/07	F250 UTE	CF093.402		CF093.920	3 SEATS FRONT
FORD	F SERIES	07/01 - 06/07	F250 UTE	CF094.116		CF094.701	DRIVER / PASSENGER ARMREST ON FRONT
FORD	F SERIES	18 - CURRENT	F350 SUPER DUTY XLT UTE	FOR1564.242		FORS407.1159	

MAKE	MODEL	YEAR	SERIES & SUB MODEL	Front Pattern Number	Middle Pattern Number	Rear Pattern Number	Notes
FORD	F SERIES	21 - CURRENT	F150 LARIAT, F150 PLATINUM UTE	FOR1485.102C		FORS374.1022	RM1485 - GBB
FORD	F SERIES	21 - CURRENT	F150 XLT UTE	FOR1485.102C		FORS375.1097	RM - GBB
FORD	FAIRLANE	05/79 - 09/84	(ZJ, ZK) SEDAN			CF040.801	
FORD	FAIRLANE	10/84 - 05/88	(ZL) SEDAN			CF041.820	
FORD	FAIRLANE	06/88 - 03/95	(NA, NC) SEDAN			CF012.832	
FORD	FAIRLANE	07/91 - 09/96	(NC, NF) GHIA SEDAN	CF014.101B		CF012.832	
FORD	FAIRLANE	09/96 - 03/99	(NL) GHIA SEDAN	CF044.101		CF012.832	
FORD	FAIRLANE	07/00 - 07/02	(AU2, DU, NU) SEDAN	CF297.102C		CF297.832	REAR ARMREST NOT COVERED
FORD	FAIRLANE	07/02 - 09/05	(BA) GHIA SEDAN	CF301.102C		FORS165.948	RM5165 - G2B
FORD	FAIRMONT	11/73 - 02/79	(XB, XC) SEDAN			CF035.805	
FORD	FAIRMONT	03/79 - 10/84	(XD, XE) GHIA SEDAN			CF032.801	
FORD	FAIRMONT	10/84 - 02/88	(XF) GHIA SEDAN			CF031.819	
FORD	FAIRMONT	10/84 - 02/88	(XF) GHIA SEDAN			CF033.820	
FORD	FAIRMONT	03/88 - 06/91	(EA) GHIA SEDAN & WAGON			CF012.832	
FORD	FAIRMONT	07/91 - 08/94	(EB, ED) GHIA SEDAN & WAGON	CF014.101B		CF012.832	
FORD	FAIRMONT	07/91 - 08/93	(EB, ED) GHIA SEDAN	CF018.108A		CF012.832	
FORD	FAIRMONT	08/94 - 09/96	(EF) GHIA SEDAN & WAGON	CF019.111		CF012.832	
FORD	FAIRMONT	09/96 - 08/90	(EL) GHIA SEDAN	CF014.101B		CF012.832	
FORD	FAIRMONT	09/98 - 04/00	(AU1) GHIA SEDAN & WAGON	CF290.102C		CF293.895	
FORD	FAIRMONT	04/00 - 10/01	(AU2) WAGON	CF290.102C		CF299.868	
FORD	FAIRMONT	04/00 - 10/01	(AU2) SEDAN	CF290.102C		CF303.832	
FORD	FAIRMONT	11/01 - 09/02	(AU3) SEDAN	CF290.102C		CF267.895	
FORD	FAIRMONT	09/02 - 09/05	(BA) GHIA SEDAN	CF301.102C		FORS165.948	RM5165 - G2B
FORD	FALCON	03/72 - 12/87	(XA, XB, XC, XD, XE) SEDAN, WAGON, UTE	CF001.204			
FORD	FALCON	03/79 - 09/84	(XD, XE) GL SEDAN			CF002.805	
FORD	FALCON	03/79 - 09/84	(XD, XE) SEDAN, WAGON	CF005.205A			
FORD	FALCON	10/84 - 02/88	(XF) GL, S-PAK SEDAN			CF020.817	
FORD	FALCON	10/84 - 02/88	(XF) SEDAN, WAGON	CF006.205			SEPARATE ADJ H/RESTS. COVERED AS MOULDED
FORD	FALCON	03/88 - 10/91	(EA) GL, S SEDAN	CF014.101B		CF014.831	
FORD	FALCON	03/88 - 10/91	(EA) GL, S WAGON			CF014.831	
FORD	FALCON	02/88 - 03/93	(EA, XF) SEDAN, WAGON, UTE, VAN	CF007.205B			
FORD	FALCON	07/91 - 08/93	(EB) S PACK SEDAN	CF016.102		CF014.831	
FORD	FALCON	07/91 - 08/93	(EB) S WAGON	CF017.102		CF014.831	
FORD	FALCON	07/91 - 08/94	(EB, ED) GL, GLI, FUTURA SEDAN	CF014.101B		CF014.831	
FORD	FALCON	07/91 - 08/94	(EB, ED) GL, GLI, FUTURA WAGON	CF014.101B		CF014.831	
FORD	FALCON	07/91 - 08/94	(EB, ED) XR6, XR8, SPRINT SEDAN	CF018.108A			
FORD	FALCON	03/93 - 03/96	(XG) LONGREACH UTE	CF007.205B		CF014.831	
FORD	FALCON	10/93 - 03/96	(XG) XR6 LONGREACH UTE	CF262.101A		CF014.831	
FORD	FALCON	08/94 - 09/96	(EF) GLI FUTURA SEDAN & WAGON	CF019.111		CF012.832	
FORD	FALCON	08/94 - 09/96	(EF) GL, GLI SEDAN	CF019.111		CF014.831	
FORD	FALCON	08/94 - 09/96	(EF) GLI WAGON	CF019.111		CF014.831	
FORD	FALCON	08/94 - 09/96	(EF) XR6, XR8 SEDAN, WAGON	CF025.108		CF025.868	
FORD	FALCON	04/96 - 06/99	(XH) GLI LONGREACH TRADESMAN UTE	CF294.205B			CONTOURED BACKREST
FORD	FALCON	04/96 - 06/99	(XH) LONGREACH TRADESMAN UTE	CF295.102C			
FORD	FALCON	04/96 - 06/99	(XH) LONGREACH UTE, VAN	CF019.111			
FORD	FALCON	09/96 - 08/98	(EL) FUTURA WAGON	CF026.101		CF028.832	
FORD	FALCON	09/96 - 08/98	(EL) GLI SAPPHIRE SEDAN	CF026.101		CF014.831	
FORD	FALCON	09/96 - 08/98	(EL) GLI WAGON	CF026.101		CF014.831	
FORD	FALCON	09/96 - 08/98	(EL) XR6, XR8 SEDAN	CF262.101		CF025.868	
FORD	FALCON	07/98 - 09/02	(AU1, AU2, AU3) XL, XL TRADESMAN UTE	CF266.305			

MAKE	MODEL	YEAR	SERIES & SUB MODEL	Front Pattern Number	Middle Pattern Number	Rear Pattern Number	Notes
FORD	FALCON	07/98 - 09/02	(AU1, AU2, AU3) XR6, XR8 UTE	CF288.108D			
FORD	FALCON	09/98 - 10/01	(AU1, AU2, AU3) XR6, XR8 SEDAN	CF288.108D		CF290.883	
FORD	FALCON	09/98 - 11/01	(AU1, AU2) ALL BADGES SEDAN & WAGON	CF290.102C		CF290.883	
FORD	FALCON	04/00 - 09/02	(AU2) XLS, XLS MARLIN UTE	CF298.102C			
FORD	FALCON	11/01 - 09/02	(AU3) ALL BADGES SEDAN & WAGON	CF290.102C		CF296.831	
FORD	FALCON	09/02 - 09/05	(BA) XR6, XR6T, XR8 SEDAN	CF309.102D		CF302.951	
FORD	FALCON	09/02 - 09/05	(BA) XT WAGON	CF301.102C		CF307.831	
FORD	FALCON	09/02 - 04/08	(BA, BF) FUTURA SEDAN	CF301.102C		FOR5165.948	RM5165 - G2B
FORD	FALCON	09/02 - 04/08	(BA, BF) XT, CLASSIC SEDAN	CF301.102C		CF302.951	
FORD	FALCON	09/02 - 07/11	(BA, BF) FUTURA WAGON	CF301.102C		CF301.961	
FORD	FALCON	10/02 - 04/08	(BA, BF) ALL BADGES UTE	CF308.305			
FORD	FALCON	10/02 - 04/08	(BA, BF) XL, RTV UTE	CF301.102C			
FORD	FALCON	10/05 - 04/08	(BF) SR MK11 SEDAN	CF301.102C		CF302.951	
FORD	FALCON	10/05 - 04/08	(BF) XL TRADESMAN UTE	CF434.102C			
FORD	FALCON	10/05 - 04/08	(BF) XR6, XR6T MKII SEDAN	CF309.102D		FOR5165.948	RM5165 - G2B
FORD	FALCON	10/05 - 04/08	(BF) XR6, XR8 UTE	CF309.102D			
FORD	FALCON	08 - 07/11	(BF) XT MKIII WAGON	CF436.102C		CF307.831	
FORD	FALCON	05/08 - 10/14	(FG) G6 SEDAN	CF437.102C		FOR5165.948	RM5165 - G2B
FORD	FALCON	05/08 - 11/14	(FG) R6, XR6, XR8 2DR UTE	FOR1166.102D			RM1166 - G2B
FORD	FALCON	05/08 - 11/14	(FG) XR6, XR8 SEDAN	FOR1166.102D		FOR5165.948	RM - G2B
FORD	FALCON	05/08 - 11/14	(FG) XT SEDAN	CF436.102C		CF302.951	
FORD	FALCON	01/12 - 07/16	(FG, FG X) STD, XT 2DR UTE	CF443.102C			
FORD	FALCON	12/14 - 07/16	(FG X) STD 3 SEAT UTE	FOR1138.305			CENTRE ARMREST / CUP HOLDER FOLDS UP FOR MIDDLE SEAT BACK REST.
FORD	FALCON	12/14 - 10/16	(FG X) XR6, XR8 SEDAN	CF473.102D		FOR5165.948	RM5165 - G2B
FORD	FESTIVA	10/91 - 03/94	(WA) HATCH			CF096.813	
FORD	FESTIVA	01/93 - 03/94	(WA) TRIO 2DR HATCH			CF097.702	
FORD	FESTIVA	04/94 - 12/96	(WB) GLI 4DR HATCH	CF098.110		CF098.806	
FORD	FESTIVA	04/94 - 12/96	(WB) 2DR TRIO HATCH	CF098.110		CF099.806	
FORD	FESTIVA	02/97 - 12/00	(WD, WF) GLI 4DR, TRIO 2DR HATCH	CF230.110		CF230.806	
FORD	FIESTA	11/01 - 12/08	(WP, WQ) ALL BADGES HATCH	CF224.101C		CF224.966	
FORD	FIESTA	01/09 - 07/13	(WS, WT) CL 4DR HATCH	CF462.101C		CF462.966	
FORD	FIESTA	01/09 - 12/10	(WS) ZETEC 4DR HATCH	CF462.101C		CF462.966	
FORD	FIESTA	08/13 - 01/19	(WZ) TREND 4DR HATCH	CF462.101C		CF462.966	
FORD	FOCUS	09/02 - 04/05	(LR) CL, SR SEDAN	CF413.101C		CF414.899	OPTIONAL MIDDLE HEADREST
FORD	FOCUS	09/02 - 04/05	(LR) LX SEDAN	CF413.101C		CF416.947	
FORD	FOCUS	09/02 - 04/05	(LR) GHIA SEDAN	CF417.107C		CF417.912	DRIVERS SIDE ARMREST
FORD	FOCUS	00/02 - 04/05	(LR) LX HATCH	CF413.101C		CF413.947	
FORD	FOCUS	00/02 - 04/05	(LR) CL HATCH	CF413.101C		CF415.899	OPTIONAL MIDDLE HEADREST
FORD	FOCUS	05/05 - 06/11	(LS, LT, LV) LX, ZETEC HATCH OR SEDAN	CF418.102C		CF418.979	
FORD	FOCUS	05/05 - 06/07	(LS) CL HATCH & SEDAN	CF420.102C		CF420.981	
FORD	FOCUS	06 - 08	(LS, LT) CL HATCH	CF418.102C		CF420.981	
FORD	FOCUS	06/07 - 03/09	(LT) CL HATCH & SEDAN	CF418.102C		CF425.991	
FORD	FOCUS	07/07 - 06/11	(LT, LV) TDCI 4DR HATCH	CF418.102C		CF418.979	
FORD	FOCUS	08 - 09	(LT) CL HATCH	CF418.102C		CF425.991	
FORD	FOCUS	06/08 - 06/11	(LV) XRS HATCH	CF428.121		CF428.991	
FORD	FOCUS	04/09 - 10	(LV) SEDAN	CF418.102C		CF420.981	
FORD	FOCUS	10 - 06/11	(LV) SEDAN	CF418.102C		CF418.979	
FORD	FOCUS	07/11 - 06/12	(LW) TREND HATCH	CF430.102C		CF430.991	
FORD	FOCUS	07/11 - 06/12	(LW) SPORT SEDAN	CF430.102C		CF467.995	
FORD	FOCUS	11/11 - 06/12	(LW) AMBIENTE, TREND SEDAN	CF430.102C		CF430.991	

MAKE	MODEL	YEAR	SERIES & SUB MODEL	Front Pattern Number	Middle Pattern Number	Rear Pattern Number	Notes
FORD	FOCUS	07/12 - 09/15	(LW) AMBIENTE SEDAN	CF430.102C		CF469.1010	
FORD	FOCUS	07/12 - 09/15	(LW) TREND HATCH	CF430.102C		CF471.966	
FORD	FOCUS	07/12 - 09/15	(LW) AMBIENTE HATCH	CF430.102C		CF469.1010	
FORD	FOCUS	11/14 - 01/19	(LZ) TREND HATCH	CF430.102C		CF471.966	
FORD	FOCUS	08/15 - 01/19	(LZ) SPORT 4DR HATCH	CF476.102C		CF476.995	
FORD	FOCUS	10/18 - 12/22	(SA) ST-LINE, ACTIVE HATCH & WAGON	FOR1123.102C		FOR5117.1008	
FORD	KA	11/99 - 12/03	(TA, TB) 2DR HATCH	CF410.101B		CF410.707	
FORD	KUGA	11/12 - 01/16	(TF) AMBIENTE, TREND SUV	CF193.102C		CF193.987	
FORD	LASER	03/81 - 10/85	(KA, KB) GL 2DR & 2DR HATCH	CF060.101		CF060.806	
FORD	LASER	03/81 - 10/85	(KA, KB) GL 4DR HATCH	CF063.102B		CF060.806	
FORD	LASER	03/81 - 09/85	(KA, KB) GHIA, SPORT 4DR HATCH			CF064.811	
FORD	LASER	03/81 - 09/85	(KA, KB) L 4DR HATCH			CF066.702	
FORD	LASER	10/85 - 02/90	(KC, KE) GL 2DR & 4DR HATCH			CF060.806	
FORD	LASER	10/85 - 02/90	(KC, KE) TX3 2DR HATCH			CF143.821	
FORD	LASER	10/85 - 04/90	(KC, KE) GHIA 4DR HATCH			CF072.811	
FORD	LASER	10/87 - 02/90	(KE) GL SEDAN			CF077.809	
FORD	LASER	10/87 - 02/90	(KE) GHIA SEDAN			CF076.810	
FORD	LASER	10/87 - 04/89	(KE) GHIA WAGON			CF072.811	
FORD	LASER	10/87 - 04/90	(KE) TX3 TURBO 2DR HATCH			CF143.821	
FORD	LASER	10/87 - 04/90	(KE) TX3 TURBO 4X4 2DR HATCH	CF145.102		CF145.809	
FORD	LASER	10/87 - 10/90	(KE) GL WAGON	CF140.102		CF072.811	
FORD	LASER	03/90 - 10/94	(KF, KH) GL, LIVEWIRE, S, GHIA 4DR HATCH	CF063.102B		CF063.809	
FORD	LASER	03/90 - 10/94	(KF, KH) GL, LIVEWIRE SEDAN	CF063.102B		CF063.809	
FORD	LASER	03/90 - 10/94	(KF, KH) GHIA SEDAN	CF063.102B		CF069.810	
FORD	LASER	03/90 - 10/94	(KF, KH) TX3, TX3 HATCH	CF063.102B		CF200.838	
FORD	LASER	03/90 - 10/94	(KF, KH) L, XL HATCH			CF202.828	
FORD	LASER	03/90 - 10/94	(KH2) GL SEDAN	CF063.102B		CF203.809	LATCH HOLES BEHIND HEADREST
FORD	LASER	03/90 - 12/94	(KE2) GL WAGON			CF201.808	
FORD	LASER	10/94 - 97	(KJ) LYNX 2DR HATCH	CF220.102		CF220.808	
FORD	LASER	10/94 - 12/98	(KJ) LXI SEDAN	CF063.102B		CF063.809	
FORD	LASER	10/94 - 12/98	(KJ) LXI SEDAN	CF205.101		CF205.809	KNOB BETWEEN HEADRESTS
FORD	LASER	10/94 - 12/98	(KJ) GLXI SEDAN	CF205.101		CF280.847	
FORD	LASER	10/94 - 03/99	(KJ) GLXI, LXI, LXI LIATA HATCH	CF205.101		CF206.809	
FORD	LASER	03/99 - 08/02	(KN) GLXI SEDAN	CF281.111		CF281.877	
FORD	LASER	03/99 - 08/02	(KN, KQ) LXI SEDAN	CF282.102C		CF282.808	
FORD	LASER	03/99 - 08/02	(KN) LXI HATCH	CF282.102C		CF283.899	
FORD	LASER	03/99 - 08/02	(KN) GLXI, SR 4DR HATCH	CF281.111		CF284.514	
FORD	LTD	10/79 - 09/84	(FC, FD) SEDAN			CF050.801	
FORD	LTD	06/88 - 06/91	(DA) SEDAN			CF012.832	
FORD	MAVERICK	02/88 - 91	(DA) XL 6 SEAT WAGON	CF120.401		CF120.701	
FORD	MAVERICK	02/88 - 91	(DA) XL 7 SEAT WAGON	CF121.101	CF121.503	FOR9092.703	
FORD	MAVERICK	02/88 - 09/93	(DA) XL, XLT 5 SEAT HARDTOP	CF121.101		CF122.702	
FORD	MAVERICK	02/88 - 09/93	(DA) BUCKET & 3/4 BENCH UTE	CF120.401			
FORD	MAVERICK	91 - 09/93	(DA) XL 7 SEAT WAGON	CD067.101	CF125.709	FOR9093.703	
FORD	MAVERICK	91 - 09/93	(DA) XL 5 SEAT WAGON	CD067.101		CD077.704	
FORD	METEOR	04/82 - 09/85	(GA, GB) GL SEDAN			CF070.809	
FORD	METEOR	04/82 - 09/85	(GA, GB) GHIA SEDAN			CF071.810	
FORD	METEOR	10/85 - 09/87	(GC) GL SEDAN			CF146.809	
FORD	METEOR	10/85 - 09/87	(GC) GHIA SEDAN			CF076.810	
FORD	METEOR	03/86 - 09/87	(GC) GL WAGON			CF072.811	

MAKE	MODEL	YEAR	SERIES & SUB MODEL	Front Pattern Number	Middle Pattern Number	Rear Pattern Number	Notes
FORD	MONDEO	01/94 - 11/96	(HA, HB) LX WAGON	CF211.101C		CF212.829	
FORD	MONDEO	07/95 - 11/96	(HA, HB) GLX SEDAN	CF210.102C		CF210.849B	
FORD	MONDEO	07/95 - 11/96	(HA, HB) LX SEDAN	CF211.101C		CF211.829	
FORD	MONDEO	07/95 - 11/96	(HA, HB) GLX HATCH	CF213.102C		CF213.849A	
FORD	MONDEO	10/96 - 10/00	(HC, HD) LX WAGON	CF214.101		CF214.829	
FORD	MONDEO	12/96 - 12/00	(HC, HD, HE) GLX SEDAN	CF214.101		CF215.516	
FORD	MONDEO	10/07 - 06/09	(MA) LX SEDAN	CF455.102C		CF455.979	
FORD	MONDEO	10/07 - 04/15	(MA, MB, MC) TDCI, ZETEC HATCH	CF455.102C		CF455.979	
FORD	MONDEO	05/10 - 04/15	(MB, MC) LX, LX TDCI, ZETEC, ZETEC TDCI WAGON	CF455.102C		CF455.979	
FORD	MONDEO	05/15 - 03/17	(MD) AMBIENTE WAGON & HATCH	FOR1189.102C		FOR5183.1015	REAR CENTRE H/R TILT ALLOWANCE
FORD	MONDEO	05/15 - 03/17	(MD) TREND, TITANIUM WAGON & HATCH	FOR1189.102C		NPR	
FORD	MONDEO	03/17 - CURRENT	(MD) AMBIENTE WAGON & HATCH	FOR1189.102C		NPR	
FORD	MONDEO	03/17 - CURRENT	(MD) TREND, TITANIUM WAGON & HATCH	FOR1189.102C		NPR	
FORD	MUSTANG	08/14 - CURRENT	(FM, FN, FO) 2.3 GTDI, 2.3 HIGH PERFORMANCE, GT, MACH 1, R-SPEC COUPE	FOR1112.121		N/A	FACTORY STANDARD SEATS. REAR NOT AVAILABLE
FORD	MUSTANG	08/14 - CURRENT	(FM, FN, FO) 2.3 GTDI, 2.3 HIGH PERFORMANCE, GT CONVERTIBLE	FOR1568.240		N/A	FACTORY STANDARD SEATS. REAR NOT AVAILABLE
FORD	PUMA	05/20 - CURRENT	(JK) ALL BADGES HATCH	FOR1241.102C		FOR5218.1113	
FORD	RAIDER	08/91 - 07/97	(UV) WAGON	CF136.102	CF136.511	FOR9094.513	
FORD	RANGER	01/07 - 09	(PJ) XL SINGLE CAB, BENCH SEAT	CF444.210			
FORD	RANGER	09 - 08/11	(PK) XL SINGLE CAB, BENCH SEAT	FOR1168.117			RM1168 - G2B. ARMREST NOT COVERED
FORD	RANGER	01/07 - 08/11	(PJ, PK) XL SINGLE CAB, BUCKET SEATS	FOR1167.111			RM1167 - G2B, TRB, TRG. AO AVAILABLE.
FORD	RANGER	01/07 - 08/11	(PJ, PK) XL, XLT SUPER CAB	FOR1167.111			RM1167 - G2B, TRB, TRG. AO AVAILABLE.
FORD	RANGER	01/07 - 08/11	(PJ, PK) XL, XLT WILDTRAK DUAL CAB	FOR1167.111		FOR5174.1005	RM1167 - G2B, TRB, TRG. RM5174 - G2B. AOF AVAILABLE 1167.
FORD	RANGER	09/11 - 05/15	(PX) ALL BADGES DUAL CAB	FOR1003.102C		FOR5002.982	RM1003 - EMB, G2B, GBB, GBL, GBO, STB, STC, TRB, TRG, WEB. RM5002 - G2B, TRB, TRG. AOF AVAILABLE. PFM. CC02 - ANB & STC
FORD	RANGER	09/11 - 07/15	(PX) XL SINGLE CAB, BUCKET & 3/4 BENCH	FOR1067.401			RM - G2B, TRB, TRG. AO AVAILABLE.
FORD	RANGER	09/11 - 06/22	(PX) XL SINGLE CAB, BUCKET SEATS	FOR1003.102C			RM - EMB, G2B, GBB, GBL, GBO, STB, STC, TRB, TRG, WEB. AOF AVAILABLE. CC02 - ANB & STC
FORD	RANGER	09/11 - 06/22	(PX) XL, XLT SUPER CAB	FOR1003.102C		FOR5008.958	RM1003 - EMB, G2B, GBB, GBL, GBO, STB, STC, TRB, TRG, WEB. RM5008 - G2B, TRG. AOF AVAILABLE. CC02 - ANB & STC
FORD	RANGER	06/15 - 06/22	(PX) ALL BADGES (EXCLUDES RAPTOR) DUAL CAB	FOR1003.102C		FOR5001.907	RM1003 - EMB, G2B, GBB, GBL, GBO, STB, STC, TRB, TRG, WEB. RM5001 - G2B, GBB, TRB, TRG, WEB. AOF AVAILABLE. PFM. CC02 - ANB & STC
FORD	RANGER	09/18 - 06/22	(PX) RAPTOR DUAL CAB	FOR1113.121		FOR5001.907	RM5001 - G2B, GBB, TRB, TRG, WEB. AO AVAILABLE 5001. PFM
FORD	RANGER	01/21 - 06/22	(PX) ALL BADGES (EXCLUDES RAPTOR) DUAL CAB	FOR1003.102C		FOR5002.982	RM1003 - EMB, G2B, GBB, GBL, GBO, STB, STC, TRB, TRG, WEB. RM5307 - G2B, GBB, GBO, TRB. AOF AVAILABLE. PFM. CC02 - ANB & STC
FORD	RANGER	06/22 - CURRENT	(PY) PLATINUM, SPORT, STORMTRAK (PHEV), SUPER DUTY, TREMOR, WILDTRAK, XLT DUAL CAB	FOR1351.121		FOR5307.1139	RM1351 - EMB, G2B, GBB, GBL, GBO, RCB, STB, STC, TRB, TRG, WEB. RM5307 - G2B, GBB, GBO, TRB. AOF AVAILABLE. PFM. CC11 - ANB
FORD	RANGER	06/22 - CURRENT	(PY) XL, XLS DUAL CAB	FOR1351.121		FOR5310.1078	RM1351 - EMB, G2B, GBB, GBL, GBO, RCB, STB, STC, TRB, TRG, WEB. RM5310 - G2B, GBB, STC, TRB, TRG. AOF AVAILABLE. PFM. CC12 - ANB
FORD	RANGER	06/22 - CURRENT	(PY) XL SINGLE CAB	FOR1351.121			RM1351 - EMB, G2B, GBB, GBL, GBO, RCB, STB, STC, TRB, TRG, WEB. AOF AVAILABLE. CC12 - ANB
FORD	RANGER	06/22 - CURRENT	(PY) XL, XLT SUPERCAB	FOR1351.121		FOR5321.1142	RM1351 - EMB, G2B, GBB, GBL, GBO, RCB, STB, STC, TRB, TRG, WEB. AOF AVAILABLE. CC12 - ANB
FORD	RANGER	06/22 - CURRENT	(PY) RAPTOR DUAL CAB	FOR1427.216		FOR5307.1139	RM5307 - G2B, GBB, TRB. AOF AVAILABLE 5307 ONLY. PFM. CC11 - ANB
FORD	SPECTRON	83 - 96	ALL BADGES VAN	CF100.309	CF100.504	FOR9095.704	
FORD	SPECTRON	83 - 96	ALL BADGES VAN	CF101.306	CF101.834	FOR9096.704	
FORD	SPECTRON	83 - 96	ALL BADGES VAN	CF103.306	CF101.834	FOR9096.704	
FORD	TAURUS	95 - 99	Ghia SEDAN	CF240.102C		CF240.875	
FORD	TELSTAR	03/83 - 09/87	(AR, AS) GL SEDAN			CF080.809	
FORD	TELSTAR	03/83 - 11/87	(AR, AS) Ghia SEDAN			CF081.810	
FORD	TELSTAR	03/83 - 11/87	(AR, AS) TX5 HATCH			CF082.813	
FORD	TELSTAR	03/83 - 11/87	(AR, AS) TX5 HATCH			CF084.812	
FORD	TELSTAR	10/87 - 10/89	(AT) TX5 HATCH			CF085.809	
FORD	TELSTAR	10/87 - 10/89	(AS, AT) GL SEDAN			CF085.809	
FORD	TELSTAR	10/87 - 12/91	(AT, AV) TX5 Ghia, TX5 TURBO HATCH			CF087.833	
FORD	TELSTAR	10/87 - 12/91	(AS, AV) Ghia SEDAN			CF081.810	
FORD	TELSTAR	01/92 - 11/96	(AX, AY) TX5 Ghia HATCH	CF160.108A		CF160.856	

MAKE	MODEL	YEAR	SERIES & SUB MODEL	Front Pattern Number	Middle Pattern Number	Rear Pattern Number	Notes
FORD	TELSTAR	12/92 - 11/96	(AX, AY) GHIA SEDAN	CF160.108A		CF161.855	
FORD	TELSTAR	12/92 - 11/96	(AX, AY) GLX SEDAN			CF162.867	
FORD	TERRITORY	05/04 - 09/05	(SX) GHIA, TS & TX 5 SEAT SUV	FOR1169.102C		FORS289.968	RM1169 - G2B
FORD	TERRITORY	05/04 - 09/05	(SX) GHIA, TS & TX 7 SEAT SUV	FOR1169.102C	FORS289.968	FOR9097.704	RM1169 - G2B
FORD	TERRITORY	10/05 - 04/11	(SY) TS 4X4 SUV	FOR1169.102C		FORS289.968	RM1169 - G2B
FORD	TERRITORY	10/05 - 04/11	(SY) GHIA, SR 4X4 7 SEAT SUV	CF408.102C	FORS289.968	FOR9097.704	
FORD	TERRITORY	10/05 - 04/11	(SY) TX 4X4 5 SEAT SUV	FOR1169.102C		CF409.968	RM1169 - G2B
FORD	TERRITORY	10/05 - 10/16	(SY, SZ) TX, TS 7 SEAT SUV	FOR1169.102C	FORS166.968	FOR9097.704	RM1169 & RM5166 - G2B
FORD	TERRITORY	05/11 - 10/16	(SZ) TITANIUM 7 SEAT SERIES 1 SUV	CF408.102C	FORS166.968	FOR9097.704	RM5166 - G2B
FORD	TRANSIT	95 - 96	(VF) COMMERCIAL VAN	CF270.407			
FORD	TRANSIT	97 - 01/14	(VG,VH,VJ,VM) BUCKET & 3/4 BENCH SEAT COMMERCIAL DUAL CAB	CF272.409		CF272.717	
FORD	TRANSIT	97 - 01/14	(VG,VH,VJ,VM) BUCKET SEATS COMMERCIAL SINGLE CAB	CF277.107C			
FORD	TRANSIT	02/14 - CURRENT	(VO) COMMERCIAL VAN	FOR1324.133			AOF AVAILABLE
FORD	TRANSIT	09/14 - CURRENT	(VO) COMMERCIAL VAN	FOR1154.150			
FORD	TRANSIT	09/14 - CURRENT	(VO) BUCKET & 3/4 BENCH SEAT COMMERCIAL DUAL CAB	FOR1012.127		CF477.1058	RM1012 - G2B, GBB, STC, TRB, TRG. AOF AVAILABLE 1012.
FORD	TRANSIT	01/15 - CURRENT	(VO) 470E DUAL CAB	FOR1324.133		CF477.1058	AOF AVAILABLE 1324.
FORD	TRANSIT CUSTOM	03/13 - 09/23	(VN) COMMERCIAL SINGLE CAB VAN	FOR1012.127			RM - G2B, GBB, STC, TRB, TRG. AOF AVAILABLE.
FORD	TRANSIT CUSTOM	05/19 - 09/23	(VN) 320L, 340L COMMERCIAL DOUBLE CAB VAN	FOR1194.107C		FORS190.1102	
FORD	TRANSIT CUSTOM	07/23 - CURRENT	(AV) 320L, 320S VAN	FOR1525.127			
FORD	TRANSIT CUSTOM	04/25 - CURRENT	(AV) 320S SPORT LWB DUAL CAB VAN	FOR1625.109C		FORS450.957	AOF AVAILABLE

MAKE	MODEL	YEAR	SERIES & SUB MODEL	Front Pattern Number	Middle Pattern Number	Rear Pattern Number	Notes
FOTON	AUMARK S	25 - CURRENT	5D15 & 6D15 NARROW CAB TRUCK	FOT1643.319			AOF ONLY
FOTON	AUMARK S	25 - CURRENT	8D15 & 9D15 WIDE CAB TRUCK	FOT1644.303			AOF ONLY
FOTON	IBLUE	01/22 - CURRENT	IBLUE ELECTRIC TRUCK	FOT1386.303			AOF ONLY
FOTON	TUNLAND	09/25 - CURRENT	V7, V9 UTE	FOT1590.102C		FOTS422.1044	AOF AVAILABLE

MAKE	MODEL	YEAR	SERIES & SUB MODEL	Front Pattern Number	Middle Pattern Number	Rear Pattern Number	Notes
FPV	F6	05/05 - 05/08	(BA, BF) TORNADO UTE	CF309.102D			INTERCHANGEABLE WITH SEDAN AND WAGON FRONTS
FPV	F6	06/08 - 10/14	(FG) SEDAN	FPV1166.102D		FPV5165.948	RM - G2B

MAKE	MODEL	YEAR	SERIES & SUB MODEL	Front Pattern Number	Middle Pattern Number	Rear Pattern Number	Notes
FREIGHTLINER	CASCADIA	2019 - CURRENT	116 & 126 TRUCK	FRE1458.225			ISRI 5030-880 DRIVER SEAT AND SEARS STATIC PASSENGER SEAT. AOF ONLY
FREIGHTLINER	CASCADIA	2019 - CURRENT	116 & 126 TRUCK	FRE1382.191			ISRI 5030-880 DRIVER SEAT AND FIXED ISRI PASSENGER SEAT. AOF ONLY
FREIGHTLINER	CASCADIA	2019 - CURRENT	116 & 126 TRUCK	FRE1385.194			ISRI 5030-880 DRIVER AND PASSENGER SEAT. AOF ONLY

MAKE	MODEL	YEAR	SERIES & SUB MODEL	Front Pattern Number	Middle Pattern Number	Rear Pattern Number	Notes
GMC	YUKON	2024 - CURRENT	(T1) DENALI SUV	GMC1649.102C	GMC5473.728	NPR	DVD PLAYER ALLOWED FOR ON FRONTS

MAKE	MODEL	YEAR	SERIES & SUB MODEL	Front Pattern Number	Middle Pattern Number	Rear Pattern Number	Notes
GRAMMER	517	2010 - CURRENT	GRAMMER PRIMO 517 DRIVER SEAT WITH LARGE HEADREST	GRA1576.167			A/O ONLY
GRAMMER	722	CURRENT	MSG722 TO SUIT GOLD ACRE	GRA1300.168			A/O ONLY
GRAMMER	742	CURRENT	MSG742 TO SUIT GOLD ACRE	GRA1299.167			A/O ONLY
GRAMMER	ACTIMO XXL MSG97G/722	22 - CURRENT	SK85MSR, SK100MSR, SK135SR, SK140LC, SK225SR, SK235SR, SK500LC	GRA1554.315			A/O ONLY. SINGLE SEAT WITH HEADREST
GRAMMER	ACTROS	01/20 - CURRENT	MP4 2551 MERCEDES ACTROS (963) 2563, 2641, 2643, 2651, 2653, 2658 & 2663 TRUCK	GRA1477.226			A/O ONLY. GRAMMER MP4 2551 SEATS
GRAMMER	MAXIMO PROFESSIONAL	2010 - CURRENT	GRAMMER MAXIMO PROFESSIONAL WITH TOOLBOX CUTOUT	GRA1592.184			A/O ONLY. SINGLE SEAT WITH HEADREST
GRAMMER	PRIMO XXM MSG65/522	CURRENT	TO SUIT KOBELCO CAB EXCAVATORS - SK26SR, SK35SR, SK55SRX	GRA1585.316			A/O ONLY. SINGLE SEAT WITH HEADREST
GRAMMER	PRIMO XXM MSG65/522	CURRENT	TO SUIT KOBELCO CANOPY EXCAVATORS - SK26SR, SK28SR, SK35SR, SK45SRX, SK55SRX	GRA1586.317			A/O ONLY. SINGLE SEAT EXCLUDING HEADREST
GRAMMER	PRIMO XXL MSG75	CURRENT	TO SUIT MAGNI TH3.6 TELEHANDLER	GRA1595.174			A/O ONLY. SINGLE SEAT EXCLUDING HEADREST. ROUND ALLOWANCE ON REAR OF BACKREST

MAKE	MODEL	YEAR	SERIES & SUB MODEL	Front Pattern Number	Middle Pattern Number	Rear Pattern Number	Notes
GREAT WALL	STEED	10/16 - 09/20	(NBP) DUAL CAB	GWM1316.102C		GWM5267.704	
GREAT WALL	V200	08/11 - 08/16	(K2) DUAL CAB	CW002.102C		CW002.956	
GREAT WALL	V240	06/09 - 14	(K2) SUPER LUXURY DUAL CAB	CW002.102C		CW002.956	
GREAT WALL	V240	14 - 08/16	(K2) SUPER LUXURY DUAL CAB	CW002.102C		CW006.956	
GREAT WALL	X200	11/11 - 02/16	(CC) WAGON	CW003.102C		CW003.968	
GREAT WALL	X240	10/09 - 10	(CC) WAGON	CW001.102C		CW001.932	
GREAT WALL	X240	11 - 02/16	(CC) WAGON	CW003.102C		CW003.968	

MAKE	MODEL	YEAR	SERIES & SUB MODEL	Front Pattern Number	Middle Pattern Number	Rear Pattern Number	Notes
GWM	CANNON ALPHA	04/24 - CURRENT	(P05) ULTRA, ULTRA HYBRID DUAL CAB	GWM1531.121		GWM5389.1059	REAR SIDE BOLSTERS AND REAR ARM REST NOT COVERED
GWM	CANNON ALPHA	04/24 - CURRENT	(P05) LUX DUAL CAB	GWM1532.121		GWM5389.1059	REAR SIDE BOLSTERS AND REAR ARM REST NOT COVERED
GWM	UTE	09/20 - 11/24	(NPW) CANNON ULTRA, CANNON VANTA, CANNON-X DUAL CAB	GWM1276.102C		GWM5240.987	RM1276 - GBB, TRB, TRG. RM5240 - GBB. AOF AVAILABLE.
GWM	UTE	09/20 - 11/24	(NPW) CANNON, CANNON-L, CANNON LUX DUAL CAB	GWM1276.102C		GWM5241.717	RM - GBB, TRB, TRG. AOF AVAILABLE.
GWM	CANNON	11/24 - CURRENT	(NPW) LUX, PREMIUM, ULTRA, VANTA, XSR DUAL CAB	GWM1276.102C		GWM5240.987	RM1276 - GBB, TRB, TRG. RM5240 - GBB. AOF AVAILABLE.

MAKE	MODEL	YEAR	SERIES & SUB MODEL	Front Pattern Number	Middle Pattern Number	Rear Pattern Number	Notes
HAVAL	H2	10/15 - CURRENT	LUXURY, PREMIUM SUV	HAV1111.102C		HAV5108.995	
HAVAL	H6	07/16 - 01/21	ALL BADGES SUV	HAV1133.102C		HAV5130.995	
HAVAL	H6	02/21 - CURRENT	(B01) ALL PETROL BADGES (EXCLUDES HYBRID) SUV	HAV1311.102C		HAV5311.1024	RM1311 - G2B, GBB, GBL. RM5311 - G2B, GBB
HAVAL	H6	12/21 - CURRENT	(B01) ALL HYBRID BADGES SUV	HAV1311.102C		N/A	RM1311 - G2B, GBB, GBL
HAVAL	H6GT	12/24 - CURRENT	(B03) ULTRA PHEV SUV	HAV1311.102C		N/A	RM1311 - G2B, GBB, GBL
HAVAL	H9	01/18 - CURRENT	ULTRA SUV	HAV1056.101C	HAV5055.1022	HAV9008.931	
HAVAL	JOLION	02/21 - CURRENT	(A01) ALL PETROL BADGES SUV	HAV1311.102C		HAV5261.1024	RM - G2B, GBB, GBL
HAVAL	JOLION	02/22 - CURRENT	(A01) ALL HYBRID BADGES SUV	HAV1311.102C		N/A	RM1311 - G2B, GBB, GBL

MAKE	MODEL	YEAR	SERIES & SUB MODEL	Front Pattern Number	Middle Pattern Number	Rear Pattern Number	Notes
HIGER	ROADBOSS	09 - 18	57 SEAT BUS		HIG5254.1107	HIG9027.1108	A/O ONLY. ROW 2 - 14 = 5254, ROW 15 = 9027

MAKE	MODEL	YEAR	SERIES & SUB MODEL	Front Pattern Number	Middle Pattern Number	Rear Pattern Number	Notes
HINO	300	03/07 - 09/11	616, 716, 816, 916 WIDE SINGLE CAB TIPPER TRUCK	CT328.304			
HINO	300	10/11 - CURRENT	WIDE CAB TRUCK	HIN1252.304			RM1252 - CVC. A/O ONLY. FRONT CONVERTED FROM CT474.
HINO	300	10/11 - CURRENT	STANDARD NARROW CAB TRUCK	HIN1297.304			A/O ONLY
HINO	300	10/11 - CURRENT	CREW CAB WIDE TRUCK	HIN1296.304		HIN5251.704	A/O ONLY
HINO	500	07 - 10/18	(FC, FD, FG) 1018, 1024, 1527 TRUCK	HIN1200.156			
HINO	500	07 - CURRENT	(GT1322, GT1528) CREW CAB TRUCK	HIN1270.129		HIN5250.902	RM1270 - CVC. A/O ONLY. ISRI 6860-870 DRIVER WITH STATIC PASSENGER & FOLDING CENTRE SEAT.
HINO	500	11 - CURRENT	(FL, FM, GH) TRUCK	HIN1151.129			ISRI 6860 DRIVER SEAT
HINO	500	11- CURRENT	(ALL SERIES) TRUCK	CT329.129			
HINO	500	12 - CURRENT	(FG, FL, FM, GH, GT) CREW CAB TRUCK	HIN1253.162			A/O ONLY
HINO	500	12 - CURRENT	(FG, FL, FM, GH, GT) SINGLE CAB TRUCK	HIN1270.129			RM1270 - CVC. A/O ONLY. ISRI 6860-870 DRIVER WITH STATIC PASSENGER & FOLDING CENTRE SEAT.
HINO	500	12 - CURRENT	(FG, FL, FM, GH, GT) TRUCK DRIVER SEAT ONLY	HIN1271.149			ISRI 6860 DRIVER SIDE ONLY. A/O ONLY. DRIVER SEAT FROM HIN1253.162
HINO	500	17 - CURRENT	(FG, FL, FM, GH, GT) SINGLE CAB TRUCK	HIN1343.129			A/O ONLY. ISRI DRIVER WITH AIR PASSENGER & FOLDING CENTRE SEAT.
HINO	500	10/18 - CURRENT	(FG) 1628 CREW CAB TRUCK	HIN1270.129		HIN5250.902	RM1270 - CVC. A/O ONLY. ISRI 6860-870 DRIVER WITH STATIC PASSENGER & FOLDING CENTRE SEAT.
HINO	500	11/18 - CURRENT	(FD, FE) 1124, 1424 CREW CAB TRUCK	HIN1269.162		HIN5250.902	A/O ONLY. ISRI 6860-NTS2 DRIVER & PASSENGER
HINO	500	11/18 - CURRENT	(FC, FD, FE) STD TRUCK	HIN1264.129			RM1264 - CVC. A/O ONLY
HINO	700	12 - 06/21	(FS, FY, SH, SS) TRUCK DRIVER SEAT ONLY	HIN1271.149			ISRI 6860 DRIVER SIDE ONLY. A/O ONLY. DRIVER SEAT FROM HIN1253.162
HINO	700	12 - 06/21	(FS, FY, SH, SS) CREW CAB TRUCK	HIN1253.162			A/O ONLY
HINO	700	12 - 06/21	(FS, FY, SH, SS) SINGLE CAB TRUCK	HIN1270.129			RM1270 - CVC. A/O ONLY. ISRI DRIVER WITH STATIC PASSENGER & FOLDING CENTRE SEAT.
HINO	700	06/21 - CURRENT	(FS, SH, FR, SS, FY) SINGLE CAB TRUCK	HIN1301.132			A/O ONLY. ISRI DRIVER & STANDARD PASSENGER
HINO	700	06/21 - CURRENT	(FH, FR, FS, FY, SH, SS) TRUCK	HIN1365.149			A/O ONLY. DRIVER SIDE ONLY. ISRI 6860/870 NTS2 WITH INTEGRATED SEAT BELT.
HINO	DUTRO	10/03 - 10/06	SINGLE CAB TRUCK	CT327.304			
HINO	RANGER PRO	03 - 09	(FC, FD, FG) 5, 6, 260 ACE, 9 TRUCK	HIN1200.156			

MAKE	MODEL	YEAR	SERIES & SUB MODEL	Front Pattern Number	Middle Pattern Number	Rear Pattern Number	Notes
HOLDEN	ACADIA	08/18 - 06/20	(AC) LT, LTZ SUV	HOL1135.102C	HOL5131.979	HOL9016.521	
HOLDEN	ADVENTRA	10/03 - 01/06	(VY, VZ) CX8, LX8 WAGON	CG133.111		CG275.886	
HOLDEN	ADVENTRA	03/05 - 12/06	(VZ) SX6 WAGON	CG133.111		CG173.880	
HOLDEN	ADVENTRA	03/05 - 12/06	(VZ) LX6 WAGON			CG289.994	LEATHER SEATS OPTIONAL
HOLDEN	APOLLO	8/89 - 07/91	(JK, JL) EXECUTIVE, GS, SLX SEDAN	CT057.101B		CT052.846	
HOLDEN	APOLLO	08/89 - 02/93	(JK, JL) SLE SEDAN	CT057.101B		CG114.810	
HOLDEN	APOLLO	08/89 - 02/93	(JK, JL) SL, SLX WAGON	CT057.101B		CT052.846	
HOLDEN	APOLLO	08/89 - 02/93	(JK, JL) EXECUTIVE, GS, SLX WAGON	CT057.101B		CG116.837	
HOLDEN	APOLLO	08/89 - 02/93	(JK, JL) SLE WAGON	CG117.101B		CG117.840	
HOLDEN	APOLLO	07/91 - 02/93	(JK, JL) SL, SLX SEDAN	CT057.101B		CG119.701	
HOLDEN	APOLLO	03/93 - 95	(JM, JP) GS, SLX SEDAN	CT062.101B		CG122.809	
HOLDEN	APOLLO	03/93 - 05/97	(JM, JP) GS, SLX WAGON	CT062.101B		CG123.837	
HOLDEN	APOLLO	95 - 05/97	(JP) SLX SEDAN	CT062.101B		CT220.809	
HOLDEN	ASTRA	08/84 - 03/86	(LB) SL/X HATCH			CG030.806	
HOLDEN	ASTRA	04/86 - 07/87	(LC) SL/E, SL/X HATCH			CG033.836	
HOLDEN	ASTRA	07/87 - 07/89	(LD) SL/E, SL/X HATCH			CG034.808	
HOLDEN	ASTRA	10/87 - 07/89	(LD) SL/X SEDAN			CG033.836	
HOLDEN	ASTRA	95 - 09/98	(TR) CITY HATCH	CG145.101B		CG145.508	
HOLDEN	ASTRA	95 - 09/98	(TR) GL HATCH & SEDAN	CG142.102C		CG143.892	
HOLDEN	ASTRA	09/96 - 09/98	(TR) GSI SPORTS HATCH	CG146.108A		CG145.508	
HOLDEN	ASTRA	09/96 - 09/98	(TR) GSI HATCH	CG147.108A		CG147.509	
HOLDEN	ASTRA	09/98 - 07/04	(TS) CITY 4DR HATCH	CG140.102C		CG142.829	
HOLDEN	ASTRA	09/98 - 12/05	(TS) CD HATCH & SEDAN	CG140.102C		CG141.924	
HOLDEN	ASTRA	00 - 07/04	(TS) EQUIPE 4DR HATCH	CG140.102C		CG140.871	
HOLDEN	ASTRA	00 - 12/05	(TS) EQUIPE, EQUIPE CLASSIC SEDAN	CG140.102C		CG142.829	
HOLDEN	ASTRA	06/01 - 07/04	(TS) CITY, EQUIPE 2DR HATCH	CG143.102C		CG143.892	
HOLDEN	ASTRA	06/01 - 07/04	(TS) CITY, EQUIPE, SXI 2DR HATCH	CG143.102C		CG142.829	
HOLDEN	ASTRA	10/01 - 07/04	(TS) SRI, SRI TURBO 2DR HATCH	CG141.108C		CG141.924	
HOLDEN	ASTRA	11/04 - 03/07	(AH) CD 4DR HATCH	CG140.102C		CG140.871	
HOLDEN	ASTRA	11/04 - 03/07	(AH) CDXI 4DR HATCH	CG227.107C		CG139.896	
HOLDEN	ASTRA	11/04 - 03/07	(AH) CDX 4DR HATCH	CG139.102C		CG139.896	
HOLDEN	ASTRA	07/05 - 03/07	(AH) CD WAGON	CG139.102C		CG228.947	
HOLDEN	ASTRA	07/05 - 03/10	(AH) CD, CDX 2DR HATCH	CG226.102		CG139.896	
HOLDEN	ASTRA	06/06 - 03/10	(AH) CDTI 4DR HATCH	CG139.102C		CG139.896	
HOLDEN	ASTRA	04/07 - 03/10	(AH) 60TH ANNIVERSARY, CD, CDX 4DR HATCH	CG139.102C		CG139.896	
HOLDEN	ASTRA	06/17 - 09/19	(BL) LS, LT,LTZ SEDAN	CG489.102C		CG489.1032	
HOLDEN	ASTRA	11/16 - 06/20	(BK) R, RS, RS-V HATCH	CG401.102C		CG401.985	
HOLDEN	BARINA	02/85 - 01/89	(ML, MB) HATCH	CG040.101C		CG040.707	
HOLDEN	BARINA	89 - 93	(MF, MH) 2DR HATCH	CG044.104		CG044.806	
HOLDEN	BARINA	02/89 - 05/94	(MF, MH) 4DR HATCH	CG040.101C		CG041.707	SEPARATE BUT ADJ H/RESTS
HOLDEN	BARINA	09/90 - 05/94	(MF, MH) GS HATCH	CG042.104			
HOLDEN	BARINA	04/94 - 07/97	(SB) SWING HATCH	CG055.102A		CG055.829	
HOLDEN	BARINA	04/94 - 07/97	(SB) CITY, JOY 2DR HATCH	CG056.101		CG056.702	
HOLDEN	BARINA	04/94 - 09/98	(SB) GSI HATCH	CG057.102A		CG057.829	
HOLDEN	BARINA	03/96 - 03/97	(SB) GRAND PRIX HATCH	CG160.102A		CG160.829	
HOLDEN	BARINA	08/97 - 03/01	(SB) SWING HATCH	CG162.102B			
HOLDEN	BARINA	03/97 - 03/01	(SB) CITY, JOY 2DR HATCH	CG161.102A		CG161.702	
HOLDEN	BARINA	02/01 - 02	(XC) ALL BADGES HATCH	CG163.111		CG163.829	
HOLDEN	BARINA	09/01 - 12/05	(XC) SRI HATCH	CG165.102C		CG165.896	
HOLDEN	BARINA	02 - 12/03	(XC) ALL BADGES HATCH	CG163.111		CG166.829	60% LAPSASH

MAKE	MODEL	YEAR	SERIES & SUB MODEL	Front Pattern Number	Middle Pattern Number	Rear Pattern Number	Notes
HOLDEN	BARINA	01/04 - 12/05	(XC) ALL BADGES HATCH	CG163.111		CG168.899	
HOLDEN	BARINA	12/05 - 10/11	(TK) 4DR HATCH	CG293.102C		CG293.896	
HOLDEN	BARINA	02/05 - 10/11	(TK) 2DR HATCH	CG294.111		CG294.966	
HOLDEN	BARINA	02/06 - 08	(TK) SEDAN	CG295.102C		CG295.966	
HOLDEN	BARINA	09 - 11/11	(TK) SEDAN	CG373.102C		CG373.966	
HOLDEN	BARINA	11/11 - 01/19	(TM) CD HATCH	CG391.102C		CG391.985	
HOLDEN	BARINA	02/12 - 06/17	(TM) SEDAN	CG391.102C		CG391.985	
HOLDEN	BARINA SPARK	10/10 - 03/16	(MJ) ALL BADGES HATCH	CG389.102C		CG389.969	
HOLDEN	CALAIS	03/84 - 02/86	(VK) SEDAN			CG008.801	
HOLDEN	CALAIS	03/86 - 08/88	(VL) SEDAN			CG005.805	
HOLDEN	CALAIS	08/88 - 09/91	(VN) SEDAN	CT122.101B		CT122.835	
HOLDEN	CALAIS	10/91 - 04/95	(VP, VR) V8 SEDAN	CT127.108		CG043.854	
HOLDEN	CALAIS	10/97 - 10/00	(VT) V6, V8 SEDAN	CG172.111		CG179.898	
HOLDEN	CALAIS	10/00 - 09/02	(VX) SEDAN	CG172.111		CG184.898	
HOLDEN	CALAIS	10/02 - 07/04	(VY) SEDAN	CG133.111		CG184.898	
HOLDEN	CALAIS	08/06 - 08/09	(VE) SEDAN	CG281.102C		CG281.997	
HOLDEN	CALAIS	04/08 - 04/13	(VE) SPORTWAGON, V SPORTWAGON	CG281.102C		HOL5164.1017	
HOLDEN	CALAIS	05/13 - 10/17	(VF) V SEDAN	HOL1170.121			RM1170 - G2B
HOLDEN	CALAIS	05/13 - 10/17	(VF) SPORTWAGON, V SPORTWAGON WAGON	HOL1170.121		CG477.1017	RM1170 - G2B
HOLDEN	CALIBRA	10/91 - 07/98	(YE) COUPE	CG072.102		CG072.829	
HOLDEN	CAMIRA	04/83 - 07/89	(JB, JD, JE) WAGON			CG021.808	
HOLDEN	CAMIRA	11/84 - 05/87	(JD) SEDAN			CG037.813	
HOLDEN	CAPTIVA	10/06 - 07	(CG) MAXX SUV	CG137.102C		CG383.947	
HOLDEN	CAPTIVA	10/06 - 01/11	(CG) SX SUV	CG137.102C		CG383.947	
HOLDEN	CAPTIVA	10/06 - 01/11	(CG) LX SUV	CG135.102C	HOL5167.1000	HOL9003.931	ARMREST NOT COVERED, RM5167 - G2B. RM9003 - WEB
HOLDEN	CAPTIVA	10/06 - 01/11	(CG) CX, SX SUV	CG135.102C	CG136.981	HOL9003.931	RM9003 - WEB
HOLDEN	CAPTIVA	08 - 02/09	(CG) MAXX SUV	CG137.102C		CG137.1022	
HOLDEN	CAPTIVA	12/09 - 01/11	(CG) 5 SUV	CG137.102C		CG383.947	
HOLDEN	CAPTIVA	01/11 - 05/12	(CG) 7CX, 7SX SUV	HOL1013.102C	HOL5040.1041	HOL9003.931	RM1013 & RM5040 - G2B, WEB. RM9003 - WEB
HOLDEN	CAPTIVA	01/11 - 01/14	(CG) 7LX SUV	HOL1013.102C	HOL5167.1000	HOL9003.931	RM1013 & RM5167 - G2B. RM9003 - WEB
HOLDEN	CAPTIVA	01/11 - 01/19	(CG) 5, 5LS, 5LT, LTZ SUV	CG384.102C		CG137.1022	REAR ARMREST NOT COVERED
HOLDEN	CAPTIVA	06/12 - 01/14	(CG) 7CX, 7SX SUV	HOL1013.102C	HOL5167.1000	HOL9003.931	RM1013 & RM5167 - G2B. RM9003 - WEB
HOLDEN	CAPTIVA	02/14 - 01/19	(CG) 7LS, 7LT, 7LTZ SUV	HOL1013.102C	HOL5167.1000	HOL9003.931	RM1013 & RM5167 - G2B. RM9003 - WEB
HOLDEN	COLORADO	05/08 - 03/12	(RC) ALL BADGES SINGLE CAB BENCH SEAT	HOL1181.211			RM - G2B
HOLDEN	COLORADO	07/08 - 05/12	(RC) ALL BADGES SINGLE CAB BKT SEATS	HOL1068.102C			RM - G2B, TRB, TRG. AOF AVAILABLE.
HOLDEN	COLORADO	07/08 - 05/12	(RC) ALL BADGES DUAL CAB BKTS SEATS	HOL1068.102C		HOL5064.956	RM - G2B, TRB, TRG. AOF AVAILABLE.
HOLDEN	COLORADO	07/08 - 05/12	(RC) ALL BADGES SPACE CAB BKTS SEATS	HOL1068.102C			RM - G2B, TRB, TRG. AOF AVAILABLE.
HOLDEN	COLORADO	06/12 - 10/13	(RG) LX, LT DUAL CAB	HOL1002.102C		HOL5010.1045	RM1002 - G2B, GBB, GBR, STC, TRB, TRG, WEB. RM5010 - TRG. AOF AVAILABLE. CC04 - ANB & STC
HOLDEN	COLORADO	11/13 - 08/14	(RG) LX, LT DUAL CAB	HOL1002.102C		CG486.1056	RM1002 - G2B, GBB, GBR, STC, TRB, TRG, WEB. AOF AVAILABLE 1002. PFM. CC04 - ANB & STC
HOLDEN	COLORADO	06/12 - 05/14	(RG) DX SINGLE CAB BUCKET & 3/4	CG399.301			
HOLDEN	COLORADO	06/12 - 08/14	(RG) LTZ DUAL CAB	HOL1002.102C		HOL5014.1044	RM1002 - G2B, GBB, GBR, STC, TRB, TRG, WEB. RM5014 - G2B, GBB, STC, TRB, TRG, WEB. AOF AVAILABLE. PFM. CC04 - ANB & STC
HOLDEN	COLORADO	06/12 - 06/20	(RG) ALL BADGES SINGLE CAB BUCKET SEATS	HOL1004.102C			RM1004 - G2B, GBB, STC, TRG, TRB, WEB. AOF AVAILABLE.
HOLDEN	COLORADO	06/12 - 06/20	(RG) ALL BADGES SPACE CAB	HOL1002.102C		HOL5178.958	RM1002 - G2B, GBB, GBR, STC, TRB, TRG, WEB. RM5178 - TRG. AOF AVAILABLE. CC04 - ANB & STC
HOLDEN	COLORADO	09/14 - 06/20	(RG) ALL BADGES DUAL CAB	HOL1002.102C		HOL5014.1044	RM1002 - G2B, GBB, GBR, STC, TRB, TRG, WEB. RM5014 - G2B, GBB, STC, TRB, TRG, WEB. AOF AVAILABLE. PFM. CC04 - ANB & STC
HOLDEN	COLORADO 7	11/12 - 01/18	(RG) LT, LTZ 7 SEAT	HOL1002.102C	HOL5063.987	HOL9007.931	RM1002 - G2B, GBB, GBR, STC, TRB, TRG, WEB. RM5063 - G2B, TRB, WEB. RM9007 - G2B. AOF AVAILABLE 1002 & 5063. CC04 - ANB & STC
HOLDEN	COMMODORE LIFTBACK	12/17 - 06/20	(ZB) LT LIFTBACK	HOL1186.102C		HOL5181.922	
HOLDEN	COMMODORE LIFTBACK	12/17 - 06/20	(ZB) RS, RS-V, VXR LIFTBACK	HOL1186.102C		NPR	
HOLDEN	COMMODORE SEDAN	11/78 - 02/84	(VB, VC, VH) SL/E			CG008.801	

MAKE	MODEL	YEAR	SERIES & SUB MODEL	Front Pattern Number	Middle Pattern Number	Rear Pattern Number	Notes
HOLDEN	COMMODORE SEDAN	11/78 - 03/86	(VB, VC, VH, VK) SL			CG005.805	
HOLDEN	COMMODORE SEDAN	03/84 - 08/88	(VK, VL) BERLINA			CG005.805	
HOLDEN	COMMODORE SEDAN	08/88 - 09/91	(VN) EXECUTIVE, S			CG013.817	
HOLDEN	COMMODORE SEDAN	08/88 - 09/91	(VN) BERLINA			CG014.819	
HOLDEN	COMMODORE SEDAN	10/91 - 08/97	(VP, VR, VS) EXECUTIVE, S	CG023.101		CG023.851	
HOLDEN	COMMODORE SEDAN	10/91 - 07/93	(VP) BERLINA			CG022.853	
HOLDEN	COMMODORE SEDAN	10/91 - 07/93	(VP) BERLINA LX			CG043.854	
HOLDEN	COMMODORE SEDAN	07/93 - 08/97	(VR, VS) BERLINA			CG043.854	
HOLDEN	COMMODORE SEDAN	07/93 - 08/97	(VR, VS) SS	CT127.108		CG191.866	
HOLDEN	COMMODORE SEDAN	09/97 - 09/02	(VT, VX) 50TH ANNIVERSARY, ACCLAIM, EQUIPE, EXECUTIVE, LUMINA, S	CG172.111		CG172.866	
HOLDEN	COMMODORE SEDAN	09/97 - 09/02	(VT, VX) BERLINA	CG172.111		CG174.854	
HOLDEN	COMMODORE SEDAN	09/97 - 09/02	(VT, VX) SS	CG133.111		CG185.854	
HOLDEN	COMMODORE SEDAN	10/02 - 07/04	(VY) BERLINA, LUMINA, SILVER ANNIVERSARY	CG133.111		CG185.854	
HOLDEN	COMMODORE SEDAN	10/02 - 07/04	(VY) SS	CG265.111		CG185.854	
HOLDEN	COMMODORE SEDAN	10/02 - 07/06	(VY, VZ) EXECUTIVE	CG133.111		CG172.866	
HOLDEN	COMMODORE SEDAN	10/02 - 07/06	(VY, VZ) EQUIPE	CG133.111		CG185.854	
HOLDEN	COMMODORE SEDAN	08/04 - 07/06	(VY, VZ) ACCLAIM, SV6	CG133.111		CG172.866	
HOLDEN	COMMODORE SEDAN	08/04 - 07/06	(VZ) BERLINA	CG133.111		CG172.866	
HOLDEN	COMMODORE SEDAN	08/04 - 07/06	(VZ) SVZ	CG133.111		CG271.854	
HOLDEN	COMMODORE SEDAN	08/06 - 08/09	(VE) SV6	CG279.102C		CG279.866	
HOLDEN	COMMODORE SEDAN	08/06 - 04/13	(VE, VZ) LUMINA, OMEGA	CG279.102C		CG279.866	
HOLDEN	COMMODORE SEDAN	08/06 - 04/13	(VE) BERLINA 60TH ANNIVERSARY	CG279.102C		CG282.999	
HOLDEN	COMMODORE SEDAN	11/08 - 04/13	(VE) SS, SS-V, SS-V 60TH ANNIVERSARY	CG283.121		CG283.854	
HOLDEN	COMMODORE SEDAN	09/09 - 08/10	(VE) INTERNATIONAL	CG279.102C		CG282.999	
HOLDEN	COMMODORE SEDAN	09/09 - 04/13	(VE) SV6	CG354.121		CG283.854	
HOLDEN	COMMODORE SEDAN	05/13 - 10/17	(VF) EVOKE	HOL1170.121		CG364.866	RM1170 - G2B
HOLDEN	COMMODORE SEDAN	05/13 - 10/17	(VF) SS, SS STORM, SV6	HOL1170.121		CG460.854	RM1170 - G2B
HOLDEN	COMMODORE UTE	08/90 - 07/93	(VG, VP) S	CG020.403			
HOLDEN	COMMODORE UTE	07/93 - 04/95	(VR) S	CG089.405			
HOLDEN	COMMODORE UTE	04/95 - 12/00	(VS) ALL BADGES	CG170.101			
HOLDEN	COMMODORE UTE	12/00 - 09/02	(VU) SS	CG262.111			
HOLDEN	COMMODORE UTE	12/00 - 07/04	(VU, VY) SS SERIES 2, STORM	CG266.111			
HOLDEN	COMMODORE UTE	09/02 - 07/04	(VY) ONE TONNER	CG268.111			
HOLDEN	COMMODORE UTE	08/04 - 08/07	(VZ) S	CG276.102C			
HOLDEN	COMMODORE UTE	09/07 - 08/11	(VE) SV6	CG357.102C			
HOLDEN	COMMODORE UTE	09/07 - 04/13	(VE) OMEGA	CG357.102C			
HOLDEN	COMMODORE UTE	09/10 - 04/13	(VE) SS	CG359.121			
HOLDEN	COMMODORE UTE	09/11 - 04/13	(VE) SV6	CG359.121			
HOLDEN	COMMODORE UTE	05/13 - 10/17	(VF) EVOKE	CG356.105			
HOLDEN	COMMODORE UTE	05/13 - 10/17	(VF) SV6, SS STORM	HOL1509.121			RM1509 - GBB
HOLDEN	COMMODORE WAGON	08/79 - 08/88	(VB, VC, VH, VK, VL) ALL BADGES			CG001.701	
HOLDEN	COMMODORE WAGON	08/88 - 04/95	(VN, VP, VR) BERLINA, EXECUTIVE, S, VACATIONER			CG016.701	
HOLDEN	COMMODORE WAGON	04/95 - 08/97	(VS) ACCLAIM	CG124.102		CG124.510	
HOLDEN	COMMODORE WAGON	04/95 - 08/97	(VS) BERLINA			CG125.871	
HOLDEN	COMMODORE WAGON	04/95 - 08/97	(VS) EXECUTIVE			CT212.829	
HOLDEN	COMMODORE WAGON	09/97 - 09/02	(VT, VX) EQUIPE, EXECUTIVE, LUMINA	CG172.111		CG173.880	
HOLDEN	COMMODORE WAGON	09/97 - 09/02	(VT, VX) ACCLAIM	CG172.111		CG175.884	
HOLDEN	COMMODORE WAGON	09/97 - 09/02	(VT, VX) BERLINA, LUMINA	CG172.111		CG176.886	
HOLDEN	COMMODORE WAGON	10/02 - 08/07	(VY, VZ) BERLINA, EQUIPE, SVZ, LUMINA	CG133.111		CG176.886	
HOLDEN	COMMODORE WAGON	08/04 - 08/07	(VY, VZ) ACCLAIM	CG133.111		CG175.884	

MAKE	MODEL	YEAR	SERIES & SUB MODEL	Front Pattern Number	Middle Pattern Number	Rear Pattern Number	Notes
HOLDEN	COMMODORE WAGON	08/04 - 08/07	(VZ) EXECUTIVE	CG133.111		CG173.880	
HOLDEN	COMMODORE WAGON	03/08 - 04/13	(VE) SS SPORTWAGON	CG283.121		CG351.1017	
HOLDEN	COMMODORE WAGON	03/08 - 04/13	(VE) OMEGA SPORTWAGON	CG279.102C		CG352.1018	
HOLDEN	COMMODORE WAGON	09/09 - 08/11	(VE) SV6 SPORTWAGON	CG279.102C		CG352.1018	
HOLDEN	COMMODORE WAGON	09/09 - 04/13	(VE) BERLINA	CG279.102C		CG351.1017	
HOLDEN	COMMODORE WAGON	09/11 - 04/13	(VE) SV6 SPORTWAGON	CG354.121		CG351.1017	
HOLDEN	COMMODORE WAGON	05/13 - 10/17	(VF) EVOKE SPORTWAGON	HOL1170.121		CG365.1018	RM1170 - G2B
HOLDEN	COMMODORE WAGON	05/13 - 10/17	(VF) INTERNATIONAL SPORTWAGON	HOL1170.121		CG366.1017	RM1170 - G2B
HOLDEN	COMMODORE WAGON	05/13 - 10/17	(VF) SS-V REDLINE, SV6 STORM SPORTWAGON	HOL1170.121		CG477.1017	RM1170 - G2B
HOLDEN	COMMODORE WAGON	12/17 - 06/20	(ZB) RS WAGON	HOL1198.102C		HOL5192.1013	
HOLDEN	CREWMAN	09/03 - 09/07	(VY, VZ) ALL BADGES DUAL CAB	CG133.111		CG133.964	
HOLDEN	CRUZE	06/02 - 06/06	(YG) ALL BADGES	CG255.102A		CG255.858	
HOLDEN	CRUZE	05/09 - 10/16	(JG, JH) ALL BADGES	CG256.102C		CG256.965	REAR ARMREST NOT COVERED
HOLDEN	DROVER	03/85 - 87	(QB) ALL BADGES HARD TOP	CG050.101A		CG050.702	
HOLDEN	DROVER	03/85 - 87	(QB) SINGLE CAB	CG052.101C			
HOLDEN	DROVER	03/85 - 87	(QB) ALL BADGES SOFT TOP	CG053.104			
HOLDEN	DROVER	03/85 - 87	(QB) HI-TOP	CG050.101A		CG054.702	
HOLDEN	EPICA	03/07 - 02/11	(EP) CDX, CDXI SEDAN	CG363.102C		CG363.893	REAR ARMREST NOT COVERED
HOLDEN	EQUINOX	09/17 - 06/20	(EQ) ALL BADGES SUV	CG484.102C		CG484.1072	
HOLDEN	FRONTERA	10/95 - 03/99	(UT) SUV	CG180.102		CG180.702	
HOLDEN	FRONTERA	03/99 - 06/04	(MX) SUV	CG181.102A		CG181.876	
HOLDEN	GEMINI	04/83 - 05/85	(TG) SL, SL/X SEDAN			CG025.802	
HOLDEN	GEMINI	05/85 - 06/87	(RB) SL, SL/X SEDAN			CG026.814	
HOLDEN	GEMINI	05/85 - 06/87	(RB) SL/E SEDAN			CG027.813	
HOLDEN	JACKAROO	11/81 - 87	LWB DELUXE SUV	CG060.101		CG060.701	
HOLDEN	JACKAROO	11/81 - 87	LWB LS SUV	CG060.101		CG061.822	
HOLDEN	JACKAROO	08/85 - 06/88	SWB DELUXE, LS SUV	CG060.101		CG062.702	
HOLDEN	JACKAROO	07/88 - 03/92	(L1) LWB LS SUV	CG060.101		CG060.701	
HOLDEN	JACKAROO	07/88 - 03/92	(L1) LWB DELUXE SUV	CG060.101		CG064.702	
HOLDEN	JACKAROO	04/92 - 95	(L2, L5) SE SUV	CG065.107	CG065.514	HOL9102.503	
HOLDEN	JACKAROO	04/92 - 02/98	(L2, L5) LS, XS V6 4DR SUV	CG065.107	CG065.514	HOL9102.503	
HOLDEN	JACKAROO	04/92 - 02/98	(L2, L5) S V6 4DR SUV	CG066.102	CG066.704	HOL9102.503	
HOLDEN	JACKAROO	04/92 - 02/98	(L2, L5) XS 2DR SUV	CG066.102		CG071.515	
HOLDEN	JACKAROO	04/92 - 02/98	(L2, L5) S 2DR SUV	CG066.102		CG067.704	
HOLDEN	JACKAROO	04/92 - 02/98	OPTIONAL EXTRA REAR SEAT			CG069.709	
HOLDEN	JACKAROO	96 - 02/98	(L2, L5) SE SUV	CG065.107	CG065.514	HOL9103.503	
HOLDEN	JACKAROO	03/98 - 09/04	(U8) SE SUV	CG250.107C	CG065.514	HOL9103.503	
HOLDEN	KINGSWOOD	02/68 - 09/77	(HK, HX) WAGON			CG121.701	
HOLDEN	KINGSWOOD	07/71 - 07/85	(HQ, HZ) SEDAN, PANEL VAN, UTE	CG106.204			
HOLDEN	KINGSWOOD	07/71 - 07/85	(HQ, HZ) SEDAN, PANEL VAN, UTE	HOL1639.104			
HOLDEN	MALIBU	06/13 - 10/17	(EM) CD SEDAN	CG259.102C		CG259.960	
HOLDEN	NOVA	08/89 - 10/94	(LF) SLE HATCH	CT010.102		CG107.510	
HOLDEN	NOVA	08/89 - 10/94	(LE, LF) SL, SLX HATCH	CT010.102		CG108.829	
HOLDEN	NOVA	08/89 - 10/94	(LE, LF) SLE, SLX SEDAN	CT010.102		CG109.808	
HOLDEN	NOVA	09/91 - 04/97	(LF, LG) GS HATCH			CG138.808	
HOLDEN	NOVA	10/94 - 04/97	(LG) SLX HATCH			CG110.808	
HOLDEN	NOVA	10/94 - 04/97	(LG) SLX SEDAN			CG112.809	
HOLDEN	NOVA	10/94 - 04/97	(LG) GS SEDAN			CG138.808	
HOLDEN	RODEO	78 - 88	(KB) SINGLE CAB	CG101.201			
HOLDEN	RODEO	78 - 88	(KB) SINGLE CAB	CG090.203			

MAKE	MODEL	YEAR	SERIES & SUB MODEL	Front Pattern Number	Middle Pattern Number	Rear Pattern Number	Notes
HOLDEN	RODEO	07/88 - 12/92	(TF) DELUXE 2WD CREW CAB	CG233.101A		CG092.701	
HOLDEN	RODEO	07/88 - 05/98	(TF) LS 4WD SPACE CAB	CG233.101A		CG043.854	
HOLDEN	RODEO	07/88 - 02/03	(TF) DUAL CAB	CG102.108A		CG093.701	
HOLDEN	RODEO	08/88 - 02/03	(TF) DUAL CAB	CG102.108A		CG102.859	NO PULL TAG ON TOP OF CENTRE BACKREST ON REAR
HOLDEN	RODEO	08/88 - 02/03	(TF) DUAL CAB	CG102.108A		CG232.859	PULL TAG ON TOP OF CENTRE BACKREST ON REAR
HOLDEN	RODEO	08/88 - 02/03	(TF) SINGLE CAB	CG094.202			CUT OUT IN BASE
HOLDEN	RODEO	08/88 - 02/03	(TF) SINGLE CAB	CG102.108A			
HOLDEN	RODEO	08/88 - 02/03	(TF) SINGLE CAB, BUCKET & 3/4 SEAT	CG230.401			
HOLDEN	RODEO	01/97 - 02/03	(TF) DX SINGLE CAB	CG231.202			CUT OUT IN BASE
HOLDEN	RODEO	03/03 - 06/08	(RA) DUAL CAB, ALL BADGES, 5 SEAT	HOL1068.102C		HOL5064.956	RM - G2B, TRB, TRG. AO AVAILABLE.
HOLDEN	RODEO	03/03 - 06/08	(RA) SINGLE CAB, ALL BADGES, BUCKET SEATS	HOL1068.102C			RM - G2B, TRB, TRG. AO AVAILABLE.
HOLDEN	RODEO	03/03 - 06/08	(RA) SPACE CAB, ALL BADGES, BUCKET SEATS	HOL1068.102C			RM - G2B, TRB, TRG. AO AVAILABLE.
HOLDEN	RODEO	03/03 - 06/08	(RA) SINGLE CAB, ALL BADGES, BENCH SEAT	HOL1181.211			RM1181 - G2B
HOLDEN	RODEO	03/03 - 06/08	(RA) DUAL CAB, ALL BADGES, 6 SEAT	HOL1181.211		HOL5064.956	RM1181 - G2B. RM5064 - G2B, TRB, TRG. AO AVAILABLE 5064.
HOLDEN	SHUTTLE	09/83 - 91	(WFR) LT VAN	CG070.305	CG070.501	HOL9104.701	
HOLDEN	STATESMAN	07/71 - 03/80	(HQ, HJ, HX, HZ) SEDAN	CG080.104		CG080.805	
HOLDEN	STATESMAN	10/74 - 03/80	(WB) CAPRICE SEDAN			CG080.805	
HOLDEN	STATESMAN	05/80 - 07/85	(WB) ALL BADGES SEDAN	CG082.110		CG084.839	
HOLDEN	STATESMAN	83 - 07/85	(WB) CAPRICE SERIES 2	CG082.110		CG082.844	
HOLDEN	STATESMAN	03/90 - 92	(VQ) ALL BADGES V8 SEDAN	CG083.108C		CG083.839	
HOLDEN	STATESMAN	92 - 12/94	(VQ) ALL BADGES SERIES 2 SEDAN	CG083.108C		CG043.854	
HOLDEN	STATESMAN	04/95 - 12/96	(VS) ALL BADGES SEDAN	CG127.108		CG043.854	
HOLDEN	STATESMAN	10/96 - 06/99	(VS) SEDAN	CG128.102		CG043.854	
HOLDEN	STATESMAN	06/99 - 10/00	(WH) SEDAN	CG129.102C		CG129.898	
HOLDEN	STATESMAN	10/00 - 04/03	(WH) SEDAN	CG129.102C		CG130.925	
HOLDEN	STATESMAN	08/06 - 08/09	(WM) SEDAN	CG279.102C		CG284.997	CONSOLE LID NOT COVERED
HOLDEN	SUBURBAN	97 - 00	(K8) 1500 LS, 2500 LS SUV	CG240.303	CG240.514	HOL9105.704	
HOLDEN	TIGRA	10/05 - 09/07	(XC) ALL BADGES CONVERTIBLE	CG286.102			
HOLDEN	TORANA	03/76 - 79	(LX, UC) ALL BADGES LIFTBACK	HOL1442.110		CG086.806	
HOLDEN	TRAILBLAZER	10/16 - 06/20	(RG) LT, LTZ, Z71 SUV	HOL1002.102C	HOL5063.987	HOL9007.931	RM1002 - G2B, GBB, GBR, STC, TRB, TRG, WEB. RM5063 - G2B, TRB, WEB. RM9007 - G2B. AOF AVAILABLE 1002 & 5063.
HOLDEN	TRAX	08/13 - 01/17	(TJ) LS SUV	CG189.102C		CG189.916	
HOLDEN	TRAX	08/13 - 01/17	(TJ) LTZ SUV	CG193.412		CG189.916	
HOLDEN	TRAX	01/17 - 06/20	(TJ) LT, LTZ SUV	CG193.412		CG479.979	
HOLDEN	TRAX	01/17 - 06/20	(TJ) LS SUV	HOL1210.102C		CG479.979	
HOLDEN	VECTRA	06/97 - 12/02	(JR, JS) GL HATCH, SEDAN	CG220.102		CG220.517	
HOLDEN	VECTRA	06/97 - 12/02	(JR, JS) CD HATCH, SEDAN	CG220.102		CG221.518	
HOLDEN	VECTRA	06/97 - 12/02	(JR, JS, JS2) GL WAGON	CG220.102		CG222.517	
HOLDEN	VECTRA	03/03 - 12/06	(ZC) CD, CDX HATCH	CG223.102C		CG223.960	
HOLDEN	VECTRA	03/03 - 12/06	(XC) CD SEDAN	CG224.102C		CG224.950	
HOLDEN	VIVA	09/05 - 05/09	(JF) SEDAN	CG297.102C		CG296.944	
HOLDEN	VIVA	09/05 - 05/09	(JF) HATCH, WAGON	CG297.102C		CG297.944	
HOLDEN	ZAFIRA	06/01 - 12/03	(TT) ALL BADGES WAGON	CG245.102C	CG245.523	HOL9106.923	
HOLDEN	ZAFIRA	01/04 - 05/06	(TT) ALL BADGES WAGON	CG243.102C	CG243.967	HOL9106.923	

MAKE	MODEL	YEAR	SERIES & SUB MODEL	Front Pattern Number	Middle Pattern Number	Rear Pattern Number	Notes
HONDA	ACCORD	81 - 85	(SV, SY, SZ) SEDAN	CH002.101C		CH002.803	
HONDA	ACCORD	83 - 85	(SY, SZ) 2DR HATCH			CH006.806	
HONDA	ACCORD	85 - 86	(SZ, AD) 2DR HATCH			CH007.806	
HONDA	ACCORD	85 - 89	(CA) EXI SEDAN	CH005.102B		CH005.824	
HONDA	ACCORD	88 - 89	(CA) LX SEDAN			CH004.824	
HONDA	ACCORD	09/89 - 10/93	(CB) ALL BADGES SEDAN	CH008.101B		CH008.824	
HONDA	ACCORD	10/93 - 12/97	(CD) EXI, VTI SEDAN	CH010.102		CH010.824	
HONDA	ACCORD	07/97 - 12/98	(CG, CK) VTI 50TH ANNIVERSARY SEDAN	CH012.102		CH012.824	
HONDA	ACCORD	12/97 - 05/03	(CF,CG, CK, CL) VTI, VTI-L SEDAN	CH011.102C		CH013.889	
HONDA	ACCORD	12/97 - 05/03	(CG, CK) V6, V6-L SEDAN	CH013.102		CH013.889	
HONDA	ACCORD	02 - 07	(CL) EURO SEDAN	CH015.102C		CH015.913	
HONDA	ACCORD	09/03 - 05/08	(CM) VTI SEDAN	CH016.102C		CH016.889	
HONDA	ACCORD	07 - 05/08	(CL) EURO SEDAN	CH016.102C		CH018.913	
HONDA	ACCORD	06/08 - 06/15	(CU) EURO SEDAN	CH020.102C		CH020.913	
HONDA	ACCORD	02/08 - 04/13	(CP) VTI SEDAN	CH019.102C		CH019.1020	
HONDA	CITY	02/09 - 04/14	(GM) VTI, VTI-L SEDAN	CH121.102C		CH121.1024	
HONDA	CITY	04/14 - 06/20	(GM) VTI SEDAN	CH122.102C		CH122.913	
HONDA	CIVIC	03/73 - 79	(SB, SF) 2DR HATCH			CH030.702	
HONDA	CIVIC	79 - 84	(SL) 2DR HATCH			CH031.806	
HONDA	CIVIC	11/79 - 12/83	(SF, WC, AN) WAGON			CH027.702	
HONDA	CIVIC	84 - 89	(CA) ALL BADGES WAGON			CH028.709	
HONDA	CIVIC	85 - 90	(AH) ALL BADGES HATCH	CH025.101		CH025.806	
HONDA	CIVIC	11/87 - 10/91	(ED) GL SEDAN	CH025.101		CH026.830	
HONDA	CIVIC	05/88 - 05/98	(EE) REAL TIME 4WD WAGON			CH029.501	
HONDA	CIVIC	09/91 - 09/95	(ED, EG) GL HATCH	CH032.102B		CH033.806	
HONDA	CIVIC	10/91 - 09/95	(EH) GL, GLI, SI SEDAN	CH032.102B		CH032.861	
HONDA	CIVIC	10/91 - 09/95	(EG, EH) BREEZE, SI HATCH	CH033.102C		CH033.806	
HONDA	CIVIC	10/95 - 98	(EK) GLI SEDAN	CH037.101C		CH037.874	
HONDA	CIVIC	10/95 - 96	(EK) VTI SEDAN	CH032.102B		CH032.861	
HONDA	CIVIC	10/95 - 09/00	(EK) CXI, GLI HATCH	CH038.102C		CH033.806	
HONDA	CIVIC	09/95 - 08/00	(EK) VTI, VTI-R HATCH	CH040.105A		CH040.858	
HONDA	CIVIC	96 - 09/00	(EK) VTI SEDAN	CH038.102C		CH037.874	
HONDA	CIVIC	05/96 - 04/99	(EJ) VTI COUPE	CH038.102C		CH041.808	
HONDA	CIVIC	10/00 - 05	(EU) VI HATCH	CH051.102C		CH051.911	
HONDA	CIVIC	10/00 - 04	(ES) GLI SEDAN	CH052.102A		CH052.867	
HONDA	CIVIC	10/00 - 01/06	(EU) VTI 4DR HATCH	CH053.107C		CH053.929	DRIVERS SIDE ARMREST
HONDA	CIVIC	04 - 01/06	(ES) GLI SEDAN	CH052.102A		CH055.971	
HONDA	CIVIC	05 - 01/06	(EU) VI HATCH	CH056.102		CH056.977	
HONDA	CIVIC	06 - 01/09	(8TH GEN) VTI SEDAN	CH059.102C		CH059.992	
HONDA	CIVIC	02/06 - 01/12	(8TH GEN) HYBRID SEDAN	CH058.102A		CH058.903	
HONDA	CIVIC	02/06 - 01/09	(8TH GEN) SPORT, VTI-L SEDAN	CH057.102C		CH057.926	
HONDA	CIVIC	02/09 - 01/12	(8TH GEN) VTI SEDAN	CH064.102C		CH064.992	
HONDA	CIVIC	02/09 - 01/12	(8TH GEN) SPORT, VTI-L SEDAN	CH064.102C		CH057.926	
HONDA	CIVIC	02/12 - 01/17	(9TH GEN) VTI, VTI-L, VTI-LN SEDAN	CH105.102C		CH105.950	
HONDA	CIVIC	07/12 - 03/17	(9TH GEN) VTI-S HATCH	CH106.102C		CH106.983	
HONDA	CIVIC	02/17 - 10/21	(10TH GEN) VTI, VTI-S, VTI-L, VTI-LX, RS SEDAN	HON1069.102C		CH123.1024	RM1069 - G2B, EMB, WEB.
HONDA	CIVIC	07/17 - 10/21	(10TH GEN) VTI, VTI-S, VTI-L, VTI-LX, RS HATCH	HON1069.102C		HON5065.1068	RM- G2B, WEB
HONDA	CONCERTO	11/88 - 12/92	(MA) ALL BADGES HATCH	CH050.101B		CH050.836	
HONDA	CRV	03/99 - 12/01	(RD) SPORT SUV	CH078.107A		CH078.842	
HONDA	CRV	03/99 - 12/01	(RD) SPORT SUV	CH084.102		CH078.842	

MAKE	MODEL	YEAR	SERIES & SUB MODEL	Front Pattern Number	Middle Pattern Number	Rear Pattern Number	Notes
HONDA	CRV	12/01 - 08/04	(RD) SPORT SUV	CH076.107C		CH076.900	
HONDA	CRV	12/01 - 08/04	(RD) STANDARD SUV	CH077.102C		CH076.900	
HONDA	CRV	09/04 - 01/07	(RD) STANDARD SUV	CH096.102D		CH096.972	
HONDA	CRV	09/04 - 01/07	(RD) LUXURY SPORT SUV	CH076.107C		CH076.900	
HONDA	CRV	09/04 - 01/07	(RD) SPORT SUV	CH097.107D		CH096.972	
HONDA	CRV	10/06 - 10	(RE) LUXURY, SPORT, STANDARD SUV	CH098.107D		CH098.1006	
HONDA	CRV	10 - 10/12	(RE) LIMITED, STANDARD SUV	CH099.107C		CH098.1006	
HONDA	CRV	11/12 - 06/17	(RM) DTI-L, DTI-S, VTI, VTI-L, VTI-S SUV	CH100.102C		CH100.912	
HONDA	CRV	06/17 - 06/20	(RW) VTI-L, VTI-E SUV	HON1070.102C	CH127.1001	HON9107.821	RM1070 - G2B, EMB, WEB
HONDA	CRV	06/17 - 07/23	(RW) VI, VTI, VTI-LX, VTI-S, VTI-X SUV	HON1070.102C		HON5066.1022	RM- G2B, EMB, WEB
HONDA	CRV	07/23 - CURRENT	(RS) VTI-L7, VTI-X7 SUV - 7 SEATS	HON1517.102C	HON5385.530	HON9107.821	2ND ROW HAS AIRBAGS
HONDA	CRV	07/23 - CURRENT	(RS) E-HEVRS, VTI-L, VTI-LX, VTI-X SUV - 5 SEATS	HON1517.102C		HON5398.1007	
HONDA	CRX	96 - 99	(EJ) ALL BADGES COUPE	CH080.107		CH080.842	
HONDA	CRX	96 - 99	(EJ) ALL BADGES COUPE	CH081.102		CH080.842	
HONDA	FIT	06/01 - 09/07	(GD) ALL BADGES HATCH	CH094.102C		CH094.899	
HONDA	HRV	09/98 - 07/02	(GH) SPORT SUV	CH085.102C		CH085.708	
HONDA	HRV	09/98 - 07/02	(GH) NO BADGE SUV	CH085.102C		CH086.806	
HONDA	HRV	09/98 - 07/02	(GH) NO BADGE SUV			CH087.708	
HONDA	HRV	01/15 - 09/21	(RU) 50 YEARS EDITION, VTI, VTI-S SUV	HON1045.102C		HON5048.991	RM - EMB, G2B, WEB
HONDA	HRV	01/15 - 09/21	(RU) VTI-L, VTI-LX SUV	HON1116.105		HON5106.987	
HONDA	HRV	08/18 - 09/21	(RU) RS SUV	HON1116.105		HON5048.991	RM5048- EMB, G2B, WEB
HONDA	HRV	02/22 - CURRENT	(RV) ALL BADGES SUV	HON1352.102C		HON5312.1140	
HONDA	INTEGRA	85 - 05/89	(DA) SX16 COUPE	CH061.108C		CH061.708	
HONDA	INTEGRA	04/89 - 07/93	(DA) ALL BADGES COUPE	CH060.108C		CH060.808	
HONDA	INTEGRA	07/93 - 98	(DC) GSI LIFTBACK	CH062.102B		CH062.806	
HONDA	INTEGRA	07/93 - 11/99	(GD) VTI-R LIFTBACK	CH063.102B		CH063.707	
HONDA	JAZZ	10/02 - 07/08	(GD) ALL BADGES HATCH	CH094.102C		CH094.899	
HONDA	JAZZ	08/08 - 07/14	(GE) GLI, VIBE HATCH	CH114.102C		CH114.991	
HONDA	JAZZ	08/08 - 07/14	(GE) VTI, VTI-S HATCH	CH115.107C		CH114.991	
HONDA	JAZZ	07/14 - 01/21	(GK) VTI-L HATCH	CH114.102C		CH125.987	
HONDA	JAZZ	07/14 - 01/21	(GK) VTI HATCH	CH114.102C		HON5139.991	
HONDA	LEGEND	11/87 - 03/96	(KA) ALL BADGES COUPE	CH017.101C		CH017.803	
HONDA	ODYSSEY	06/95 - 12/97	(RA) PEOPLE MOVER 6 SEAT WAGON	CH070.107	CH070.107	HON9108.704	
HONDA	ODYSSEY	06/95 - 12/97	(RA) PEOPLE MOVER 7 SEAT WAGON	CH070.107	CH071.865	HON9108.704	
HONDA	ODYSSEY	01/98 - 04/00	(RA) PEOPLE MOVER 7 SEAT WAGON	CH070.107	CH072.842	HON9108.704	
HONDA	ODYSSEY	03/00 - 05/04	(RA) PEOPLE MOVER 7 SEAT WAGON	CH073.107	CH073.720	HON9109.704	
HONDA	ODYSSEY	03/00 - 05/04	(RA) PEOPLE MOVER 6 SEAT WAGON	CH074.107	CH074.107	HON9109.704	
HONDA	ODYSSEY	06/04 - 03/09	(RB) LUXURY 7 SEAT WAGON	CH075.107C	CH075.942	HON9110.821	
HONDA	ODYSSEY	06/04 - 03/09	(RB) PEOPLE MOVER 7 SEAT WAGON	CH075.107C	CH091.969	HON9110.821	MIDDLE ROW DOES NOT HAVE ARMREST
HONDA	ODYSSEY	06/04 - 03/09	(RB) PEOPLE MOVER 7 SEAT WAGON	CH075.107C	CH110.942	HON9110.821	MIDDLE ROW DOES NOT HAVE ARMREST
HONDA	ODYSSEY	04/09 - 01/14	(RB) PEOPLE MOVER 7 SEAT WAGON	CH111.107	CH111.1006	HON9111.821	
HONDA	ODYSSEY	02/14 - 11/20	(RC) VTI 8 SEAT WAGON	CH111.107	CH111.1006	HON9112.1060	
HONDA	ODYSSEY	02/14 - 11/20	(RC) VTI-L 7 SEAT WAGON	HON1107.107	HON5107.122	HON9012.1060	
HONDA	PRELUDE	82 - 87	(AB) ALL BADGES COUPE	CH042.102		CH044.826	
HONDA	PRELUDE	01/86 - 12/91	(BA) ALL BADGES COUPE	CH042.102		CH042.825	
HONDA	PRELUDE	09/91 - 12/96	(BB) SI COUPE	CH045.110		CH045.103	
HONDA	PRELUDE	11/96 - 07/02	(BB) VTI, VTR COUPE	CH046.108		CH046.870	
HONDA	ZR-V	12/23 - CURRENT	(RZ) VTI-L, VTI-L+, VTI-X, VTI X+ SUV	HON1563.102C		HON5405.1156	SIDE BOLSTERS NOT COVERED DUE TO SIDE AIRBAGS
HONDA	ZR-V	02/23 - CURRENT	(RZ) E: HEV LX, VTI-LX SUV	HON1563.102C		HON5405.1156	SIDE BOLSTERS NOT COVERED DUE TO SIDE AIRBAGS

MAKE	MODEL	YEAR	SERIES & SUB MODEL	Front Pattern Number	Middle Pattern Number	Rear Pattern Number	Notes
HSV	CLUBSPORT	09/97 - 06/99	(VT) SEDAN	CG177.102		CG174.854	
HSV	CLUBSPORT	09/97 - 06/99	(VT) 10TH ANNIVERSARY SEDAN	CG261.115		CG174.854	
HSV	CLUBSPORT	10/02 - 09/04	(VY) SEDAN	CG133.111		CG185.854	
HSV	CLUBSPORT	06/13 - 10/17	(VF) SEDAN	CG480.121		CG281.997	
HSV	CLUBSPORT R8	08/06 - 05/13	(VE) SEDAN & WAGOON	CG350.121		CG281.997	
HSV	GTS	08/06 - 05/13	(VE) SEDAN	CG355.121		CG281.997	ARMREST NOT COVERED DUE TO CONSOLE LID
HSV	MALOO R8	10/07 - 05/13	(VE) UTE	CG358.121			
HSV	MALOO R8	06/13 - 02/17	(VF) UTE (EXCLUDES BLACK EDITION)	CG490.121			
HSV	SV CLUBSPORT	08/90 - 09/91	(VN) SEDAN	CG019.110		CG019.854	

MAKE	MODEL	YEAR	SERIES & SUB MODEL	Front Pattern Number	Middle Pattern Number	Rear Pattern Number	Notes
HYDREMA	912G	10/20 - CURRENT	(912G) 912G, 912GS, 912HM DUMP TRUCK	HYD1618.250			A/O ONLY. ISRI 6830KM/880 SINGLE SEAT. ARMRESTS NOT COVERED.

MAKE	MODEL	YEAR	SERIES & SUB MODEL	Front Pattern Number	Middle Pattern Number	Rear Pattern Number	Notes
HYUNDAI	ACCENT	07/94 - 07/99	(X3) LS SEDAN			CY012.702	
HYUNDAI	ACCENT	06/00 - 12/02	(LC) ALL BADGES HATCH & SEDAN	CY060.101C		CY060.807	
HYUNDAI	ACCENT	03/03 - 04/06	(LC, LS) GL HATCH	CY059.101C		CY059.944	
HYUNDAI	ACCENT	05/06 - 01/10	(MC) ALL BADGES SEDAN	CY062.101C		CY062.995	
HYUNDAI	ACCENT	05/06 - 01/10	(MC) 2DR HATCH	CY062.101C		CY135.1000	
HYUNDAI	ACCENT	07/11 - 04/19	(RB) ACTIVE, ELITE, PREMIUM, SR HATCH	HYU1037.102E		HYU5031.1015	RM1037 - G2B, WEB, RM5031 - WEB
HYUNDAI	ACCENT	07/11 - 04/19	(RB) ACTIVE, ELITE, PREMIUM SEDAN	HYU1037.102E		CY262.1015	RM1037 - G2B, WEB
HYUNDAI	ACCENT	09/17 - 04/19	(RB) SPORT HATCH	CY270.102E		CY270.1015	
HYUNDAI	ACCENT	09/17 - 04/19	(RB) SPORT SEDAN	CY270.102E		CY262.1015	
HYUNDAI	COUPE	07/96 - 04/02	(RD) SX, FX 2DR COUPE	CY050.102		CY050.806	
HYUNDAI	ELANTRA	10/00 - 09/03	(XD) GLS 4DR HATCH	CY090.102C		CY090.891	
HYUNDAI	ELANTRA	10/00 - 09/03	(XD) GL 4DR HATCH	CY091.102C		CY091.894	
HYUNDAI	ELANTRA	10/00 - 09/03	(XD) GL SEDAN	CY091.102C		CY093.935	
HYUNDAI	ELANTRA	10/00 - 02/07	(XD) GLS SEDAN	CY090.102C		CY092.882	
HYUNDAI	ELANTRA	10/03 - 02/07	(XD) 2.0 HVT, ELITE HVT SEDAN	CY124.102C		CY095.922	
HYUNDAI	ELANTRA	10/03 - 02/07	(XD) 2.0 HVT, ELITE HVT, GLS HATCH	CY124.102C		CY091.894	
HYUNDAI	ELANTRA	10/03 - 02/07	(XD) FX HVT HATCH	CY126.102C		CY090.891	
HYUNDAI	ELANTRA	10/03 - 02/07	(XD) FX HVT SEDAN	CY126.102C		CY092.882	
HYUNDAI	ELANTRA	10/06 - 05/11	(HD) ELITE, SLX SEDAN	CY129.102C		CY129.952	
HYUNDAI	ELANTRA	10/06 - 07	(HD) SX SEDAN	CY128.102C		CY128.904	
HYUNDAI	ELANTRA	07 - 05/11	(HD) SX SEDAN	CY129.102C		CY130.904	
HYUNDAI	ELANTRA	06/11 - 12/20	(AD,MD) ACTIVE, ELITE, GO, TROPHY SEDAN	CY232.102C		CY232.965	
HYUNDAI	ELANTRA	10/16 - 12/20	(AD) SR TURBO, SPORT SEDAN	HYU1162.102C		CY232.965	
HYUNDAI	EXCEL	02/86 - 12/89	(X1) GL, GLS, 4DR HATCH			CY001.807	
HYUNDAI	EXCEL	03/87 - 12/89	(X1) GLS SEDAN			CY003.702	
HYUNDAI	EXCEL	01/90 - 09/94	(X2) LS 4DR HATCH	CY008.101		CY017.802	
HYUNDAI	EXCEL	01/90 - 09/94	(X2) GS, SPRINT 2DR HATCH	CY011.102		CY011.807	
HYUNDAI	EXCEL	01/90 - 11/94	(X2) GLS, SPRINT GS 4DR HATCH			CY002.807	
HYUNDAI	EXCEL	01/90 - 11/94	(X2) GLS SEDAN			CY006.831	
HYUNDAI	EXCEL	01/90 - 11/94	(X2) GLS, L, LS 2DR HATCH	CY008.101		CY016.802	
HYUNDAI	EXCEL	01/90 - 11/94	(X2) LS SEDAN			CY007.802	
HYUNDAI	EXCEL	10/91 - 11/94	(X2) PANEL VAN	CY008.101			
HYUNDAI	EXCEL	09/94 - 11/97	(X3) CLASSIQUE, GX, GLX HATCH & SEDAN	CY014.101		CY014.807	
HYUNDAI	EXCEL	09/94 - 11/97	(X3) LX SEDAN			CY015.807	
HYUNDAI	EXCEL	09/94 - 11/97	(X3) GLX 4DR HATCH			CY019.836	
HYUNDAI	EXCEL	11/94 - 11/97	(X3) SPRINT 2DR HATCH	CY013.101A		CY021.807	
HYUNDAI	EXCEL	11/97 - 06/00	(X3) GLX, GX, LX HATCH & SEDAN	CY021.101		CY021.807	
HYUNDAI	GETZ	10/05 - 08/11	(TB) S, SX, SXi HATCH	CY109.102C		CY109.985	
HYUNDAI	GETZ	09/02 - 09/03	(TB) FX HATCH	CY106.102C		CY106.932	
HYUNDAI	GETZ	09/02 - 05/05	(TB) GL HATCH	CY105.102C		CY105.909	
HYUNDAI	GRANDEUR	09/99 - 01/04	(XG) XG SEDAN	CY110.102		CY110.882	
HYUNDAI	I20	07/10 - 08/15	(PB) ELITE 4DR HATCH	CY136.101C		CY136.984	
HYUNDAI	I20	07/10 - 08/15	(PB) ACTIVE 2DR HATCH	CY137.101C		CY137.984	
HYUNDAI	I20	07/10 - 08/15	(PB) ACTIVE 4DR HATCH	CY267.101C		CY137.984	
HYUNDAI	I20	02/21 - CURRENT	(BC3) N HATCH	HYU1453.224		HYU5361.1015	
HYUNDAI	I30	10/07 - 04/12	(FD) SX, TROPHY HATCH	CY138.102C		CY138.983	
HYUNDAI	I30	10/07 - 04/12	(FD) SR, SLX HATCH	CY250.102C		CY250.968	
HYUNDAI	I30	11/12 - 03/16	(GD) TOURER ACTIVE WAGON	CY273.101C		CY273.969	
HYUNDAI	I30	11/12 - 03/16	(GD) TOURER ELITE WAGON	CY273.101C		NPR	
HYUNDAI	I30	05/12 - 03/17	(GD) PREMIUM, ELITE, SR, SR PREMIUM 4DR HATCH	HYU1039.101C		CY252.972	RM1039 - G2B, WEB, PFM

MAKE	MODEL	YEAR	SERIES & SUB MODEL	Front Pattern Number	Middle Pattern Number	Rear Pattern Number	Notes
HYUNDAI	I30	05/12 - 03/17	(GD) ACTIVE, ACTIVE X, SE, TROPHY 4DR HATCH	HYU1039.101C		HYU5033.983	RM - G2B, WEB. PFM
HYUNDAI	I30	12/17 - 08/20	(PD) GO HATCH	HYU1040.102C		HYU5127.985	RM1040 - G2B, GBB, WEB. RM5127 - G2B. PFM
HYUNDAI	I30	04/17 - 04/24	(PD) ACTIVE, ELITE, PREMIUM, SR, SR PREMIUM HATCH	HYU1040.102C		HYU5034.1032	RM1040 - G2B, GBB, WEB. RM5034 - G2B, GBB, WEB. PFM
HYUNDAI	I30	12/18 - 04/24	(PD) N-LINE, N-LINE PREMIUM HATCH	HYU1208.102C		HYU5034.1032	RM5034 - G2B, GBB, WEB. PFM
HYUNDAI	I30	02/18 - 04/24	(PDe) N-LINE, N-LINE MHEV, N PERFORMANCE, N PERFORMANCE LUXURY TURBO HATCH	HYU1220.121		HYU5205.1032	
HYUNDAI	I30	02/19 - 09/22	(PDe) FASTBACK N PERFORMANCE TURBO FASTBACK	HYU1220.121		HYU5205.1032	
HYUNDAI	I30	08/20 - CURRENT	(CN7) PETROL - ACTIVE, ELITE, PREMIUM SEDAN	HYU1565.102C		HYU5408.949	
HYUNDAI	I30	11/20 - CURRENT	(CN7) N LINE, N LINE PREMIUM, N LINE SPECIAL SEDAN	HYU1550.102C		HYU5412.965	
HYUNDAI	I30	10/23 - CURRENT	(CN7) HYBRID SEDAN	HYU1534.102C		HYU5391.882	
HYUNDAI	I30CW	03/09 - 01/13	(FD) SLX WAGON	CY138.102C		CY140.1032	
HYUNDAI	I40	10/11 - 04/19	(VF) ACTIVE, ELITE, PREMIUM WAGON	CY228.102C		CY228.952	SIDE BOLSTERS NOT COVERED DUE TO SIDE AIRBAGS
HYUNDAI	I45	05/10 - 01/13	(YF) ACTIVE, ELITE, PREMIUM SEDAN	CY217.102C		CY217.952	
HYUNDAI	ILOAD	02/08 - 09/21	(TQ) 3 SEAT VAN	HYU1036.303			RM - G2B, STC, TRG. AOF AVAILABLE.
HYUNDAI	ILOAD	02/08 - 09/21	(TQ) 6 SEAT VAN	HYU1036.303		CY045.717	RM1036 - G2B, STC, TRG.
HYUNDAI	ILOAD	02/08 - 09/21	(TQ) 6 SEAT VAN	HYU1036.303		HYU5161.701	RM1036 - G2B, STC, TRG. AOF AVAILABLE 1036.
HYUNDAI	IMAX	02/08 - 10	(TQ) PEOPLE MOVER	CY132.102C	HYU5067.910	HYU9113.896	RM5067 - G2B, EMB, WEB
HYUNDAI	IMAX	02/08 - 07/12	(TQ) 6 SEAT VAN	HYU1036.303		CY045.717	RM1036 - G2B, STC, TRG. AOF AVAILABLE 1036.
HYUNDAI	IMAX	02/08 - 09/21	(TQ) PEOPLE MOVER	HYU1071.107C	HYU5067.910	HYU9113.896	RM1071 - G2B, WEB. RM5067 - G2B, EMB, WEB
HYUNDAI	INSTER	01/25 - CURRENT	(AX) ALL BADGES HATCH	HYU1665.258		HYU5483.709	
HYUNDAI	IONIQ	03/17 - CURRENT	(AE.2) ELITE, PREMIUM HATCH	HYU1129.102C		HYU5126.1032	ELECTRIC / HYBRID & PLUG-IN
HYUNDAI	IONIQ 5	08/23 - 07/24	(NE.4) ESSENTIAL SUV	HYU1614.102C		HYU5436.1120	
HYUNDAI	IONIQ 5	07/24 - CURRENT	(NE.5) DYNAMIQUE, DYNAMIQUE N-LINE, NO BADGE SUV	HYU1614.102C		HYU5436.1120	
HYUNDAI	IONIQ 5	07/24 - CURRENT	(NE.5) EPIQ, EPIQ N-LINE, N SUV	NPR		HYU5436.1120	
HYUNDAI	IONIQ 6	11/22 - CURRENT	(CE) EPIQ, TECHNIQ SEDAN	HYU1526.121C		HYU5386.965	
HYUNDAI	IONIQ 6	11/22 - CURRENT	(CE) DYNAMIQ SEDAN	HYU1528.121C		HYU5386.965	
HYUNDAI	IX35	02/10 - 09/13	(LM) WAGON	CY210.102C		CY210.1032	REMOVABLE HEADRESTS, REAR ARMREST NOT COVERED
HYUNDAI	IX35	10/13 - 06/15	(LM) ELITE, SE, TROPHY WAGON	HYU1216.102C		HYU5203.1032	FRONT HEADRESTS NON REMOVABLE
HYUNDAI	KONA	09/17 - 07/23	(OS) ACTIVE, ELITE, HIGHLANDER, N-LINE, N-LINE PREMIUM SUV	HYU1171.102C		HYU5168.995	RM - G2B, WEB
HYUNDAI	KONA	09/17 - 11/20	(OS) GO SUV	HYU1171.102C		HYU5096.966	RM1171 - G2B, WEB
HYUNDAI	KONA	07/21 - 01/24	(OS) N SUV	HYU1414.159		HYU5168.995	RM5168 - G2B, WEB
HYUNDAI	KONA	04/23 - CURRENT	(SX2) ALL BADGES SUV	HYU1478.102C		HYU5371.995	RM1478 - GBB, GBR. RM5371 - GBB
HYUNDAI	LANTRA	05/91 - 08/95	(J1) GL, GLS SEDAN	CY010.101B		CY010.831	
HYUNDAI	LANTRA	08/95 - 10/00	(J2, J3) GL, SPORTZ WAGON	CY041.102C		CY041.836	
HYUNDAI	LANTRA	08/95 - 10/00	(J2, J3) GL, SE SEDAN	CY042.102		CY042.883	
HYUNDAI	LANTRA	08/95 - 10/00	(J2, J3) GLS SEDAN	CY040.102C		CY040.831	
HYUNDAI	LANTRA	08/95 - 10/00	(J2, J3) SE WAGON			CY043.504	
HYUNDAI	LAVITA	01 - 04	(XD) GLS HATCH	CY120.102C		CY120.912	
HYUNDAI	MIGHTY	16 - CURRENT	EX4, EX5, EX6 2DR TRUCK	HYU1437.303			
HYUNDAI	MIGHTY	16 - CURRENT	EX4, EX6, EX8, EX9, EX10 2DR TRUCK	HYU1441.312			AOF AVAILABLE
HYUNDAI	MIGHTY	11/20 - CURRENT	EX6, EX9 2DR TRUCK (NZ ONLY)	HYU1476.303			AOF ONLY
HYUNDAI	MIGHTY	04/23 - CURRENT	(QTC.V1) ELECTRIC TRUCK	HYU1546.302			AOF ONLY
HYUNDAI	PALISADE	10/20 - CURRENT	(LX) ELITE & HIGHLANDER 7 SEAT SUV	HYU1295.102C	HYU5249.1128	HYU9035.1097	USB ALLOWANCE ON FRONT SEATS
HYUNDAI	PALISADE	10/20 - CURRENT	(LX) ELITE & HIGHLANDER 8 SEAT SUV	HYU1295.102C	HYU5272.979	HYU9035.1097	USB ALLOWANCE ON FRONT SEATS
HYUNDAI	PAVISE	20 - CURRENT	D115 & D217 2DR TRUCK	HYU1429.141			AOF AVAILABLE
HYUNDAI	SANTA FE	11/00 - 09/03	(SM) GL, GLS SUV	CY055.102C		CY055.912	
HYUNDAI	SANTA FE	10/03 - 04/06	(SM) GL SUV	CY056.102C		CY056.912	
HYUNDAI	SANTA FE	05/06 - 08/12	(CM) SLX, ELITE, SX, 7 SEAT SUV	CY057.102C	CY143.972	HYU9017.931	
HYUNDAI	SANTA FE	05/06 - 08/12	(CM) SLX, ELITE, SX, 5 SEAT SUV	CY057.102C		CY057.987	REAR ARMREST NOT COVERED CONSOLE TYPE LID
HYUNDAI	SANTA FE	08/12 - 11/18	(DM) ACTIVE, ELITE, HIGHLANDER 7 SEAT SUV	CY147.102C	CY147.1038	HYU9114.931	
HYUNDAI	SANTA FE	12/18 - 02/24	(TM) ACTIVE, ELITE, HIGHLANDER 7 SEAT SUV	HYU1087.102C	HYU5085.972	HYU9009.931	RM1087 & RM5085 - G2B

MAKE	MODEL	YEAR	SERIES & SUB MODEL	Front Pattern Number	Middle Pattern Number	Rear Pattern Number	Notes
HYUNDAI	SANTA FE	02/24 - CURRENT	(MX) HEV HYBRID NO BADGE, HEV HYBRID ELITE SUV	HYU1558.102C	HYU5401.1120	HYU9119.931	2ND ROW HAS AIRBAGS
HYUNDAI	SANTA FE	02/24 - CURRENT	(MX) HEV HYBRID CALLIGRAPHY 7 SEAT SUV	HYU1557.239	HYU5401.1120	HYU9119.931	FRONT ROW RECLINER ALLOWED FOR (NOT COVERED). 2ND ROW HAS AIRBAGS.
HYUNDAI	SANTA FE	02/24 - CURRENT	(MX) HEV HYBRID CALLIGRAPHY 6 SEAT SUV	HYU1557.239	NPR	HYU9119.931	FRONT ROW RECLINER ALLOWED FOR (NOT COVERED).
HYUNDAI	SCOUPE	90 - 04/96	(1N) 2DR COUPE	CY009.101		CY009.836	
HYUNDAI	SONATA	03/89 - 10/93	(Y2) GL, GLE SEDAN			CY004.802	
HYUNDAI	SONATA	03/89 - 10/93	(Y2) GLS SEDAN	CY005.102		CY005.804	
HYUNDAI	SONATA	10/93 - 95	(Y2, Y3) GLE SEDAN			CY020.802	
HYUNDAI	SONATA	10/93 - 08/98	(Y3) GLS SEDAN	CY018.102C		CY018.862	
HYUNDAI	SONATA	95 - 08/98	(Y3) GLE SEDAN	CY018.102C		CY030.883	
HYUNDAI	SONATA	08/98 - 10/00	(EF) GLE, GLS SEDAN	CY031.102		CY031.893	
HYUNDAI	SONATA	08/98 - 10/00	(EF) CLASSIQUE SEDAN	CY032.102C		CY032.893	
HYUNDAI	SONATA	09/01 - 05/05	(EF-B) GL SEDAN	CY033.102		CY033.882	
HYUNDAI	SONATA	06/05 - 05/08	(NF) ELITE SEDAN	CY034.102		CY034.952	
HYUNDAI	SONATA	06/05 - 05/08	(NF) SLX V6 SEDAN	CY036.111		CY034.952	
HYUNDAI	SONATA	12/14 - 10/20	(LF) ALL BADGES SEDAN	HYU1246.102C		HYU5225.952	
HYUNDAI	SONATA	12/20 - CURRENT	(DN) N-LINE SEDAN	HYU1620.102C		HYU5442.952	
HYUNDAI	STARIA	06/21 - CURRENT	(US) ALL BADGES WAGON	HYU1319.102C	HYU5271.991	HYU9038.982	RM5271 - EMB
HYUNDAI	STARIA LOAD	06/21 - CURRENT	(US) ALL BADGES VAN	HYU1306.102C		HYU5476.717	RM1306 - STC, TRG. AOF AVAILABLE.
HYUNDAI	TERRACAN	12/01 - 03	(HP) HIGHLANDER SUV	CY113.102	CY113.916	HYU9115.930	CY113.930
HYUNDAI	TERRACAN	03 - 01/07	(HP) CRDI, HIGHLANDER SUV	CY113.102	CY114.912	HYU9116.931	CY114.931
HYUNDAI	TERRACAN	01/05 - 01/07	(HP) CRDI SUV	CY113.102	CY114.912	HYU9115.930	CY113.930
HYUNDAI	TIBURON	03/02 - 10/10	(GK) COUPE	CY048.102C		CY048.806	
HYUNDAI	TRAJET	09/99 - 07/08	(FO) GL WAGON	CY100.102	CY100.521	HYU9117.916	CY100.916
HYUNDAI	TRAJET	09/99 - 07/08	(FO) GLS WAGON	CY101.107C	CY101.107C	HYU9117.916	CY100.916
HYUNDAI	TUCSON	04/04 - 03/07	(JM) CITY, ELITE SUV	CY117.102C		CY117.972	
HYUNDAI	TUCSON	04/07 - 01/10	(JM) CITY ELITE, CITY SX, SX SUV	CY119.102C		CY117.972	
HYUNDAI	TUCSON	07/15 - 04/17	(TL, TLE) ACTIVE, ELITE SUV	HYU1038.102C		HYU5116.965	RM1038 - EMB, G2B, GBB, WEB. PFM
HYUNDAI	TUCSON	07/15 - 18	(TLE) HIGHLANDER SUV	HYU1038.102C		HYU5116.965	RM1038 - EMB, G2B, GBB, WEB. PFM
HYUNDAI	TUCSON	07/15 - 02/21	(TL, TLE) ACTIVE-X SUV	HYU1038.102C		HYU5032.1032	RM1038 - EMB, G2B, GBB, WEB. RM5032 - G2B, GBB, WEB. PFM
HYUNDAI	TUCSON	04/17 - 02/21	(TL, TLE) ACTIVE, ELITE SUV	HYU1038.102C		HYU5032.1032	RM1038 - EMB, G2B, GBB, WEB. RM5032 - G2B, GBB, WEB. PFM
HYUNDAI	TUCSON	18 - 02/21	(TL, TLE) GO, HIGHLANDER SUV	HYU1038.102C		HYU5032.1032	RM1038 - EMB, G2B, GBB, WEB. RM5032 - G2B, GBB, WEB. PFM
HYUNDAI	TUCSON	02/21 - CURRENT	(NX) PETROL & HYBRID; ELITE, ELITE N-LINE, N-LINE SUV	HYU1337.102C		HYU5279.1046	RM - GBB, GBR
HYUNDAI	TUCSON	02/21 - 07/25	(NX) HIGHLANDER & HIGHLANDER N-LINE SUV	HYU1338.102C		HYU5279.1046	RM5279 - GBB, GBR
HYUNDAI	TUCSON	04/24 - CURRENT	(NX) PREMIUM & PREMIUM N-LINE SUV	HYU1338.102C		HYU5279.1046	RM5279 - GBB, GBR
HYUNDAI	VELOSTER	02/12 - 08/19	(FS) ALL BADGES COUPE	CY257.121		CY257.1075	
HYUNDAI	VELOSTER	07/19 - 12/20	(JS) ALL BADGES COUPE	HYU1213.108C		HYU5201.1106	
HYUNDAI	VENUE	07/19 - CURRENT	(QX) ALL BADGES WAGON	HYU1158.102C		HYU5153.985	RM1158 - G2B

MAKE	MODEL	YEAR	SERIES & SUB MODEL	Front Pattern Number	Middle Pattern Number	Rear Pattern Number	Notes
ISRI	5030-880	N/A	5030-880 DRIVER & PASSENGER	ISR1385.194			ISRI 5030-880 DRIVER AND PASSENGER SEAT. AOF ONLY.
ISRI	5030-880	N/A	5030-880 DRIVER SEAT & FIXED ISRI PASSENGER	ISR1382.191			ISRI 5030-880 DRIVER SEAT AND FIXED ISRI PASSENGER SEAT. AOF ONLY
ISRI	6830KM-880	N/A	6830KM-880 SINGLE SEAT	ISR1618.250			A/O ONLY. ARMRESTS NOT COVERED
ISRI	6860-870 NTS2	N/A	6860-870 NTS2 DRIVER WITH INTEGRATED SEAT BELT	ISR1365.149			AOF ONLY.
ISRI	6860-870 NTS2	N/A	6860-870 NTS2 DRIVER & PASSENGER WITH INTEGRATED SEAT BELT & ARMREST ALLOWANCES	ISR1594.248			AOF ONLY. ISRI 6860/870 NTS2 DRIVER & PASSENGER WITH INTEGRATED SEAT BELT & ARMRESTS. ARMRESTS NOT COVERED.
ISRI	6860-876	N/A	6860-876 DRIVER & PASSENGER WITH UNIVERSAL ARMREST ALLOWANCES.	ISR1375.189			A/O ONLY. UNIVERSAL ARMREST ALLOWANCE TO SUIT 1 OR 2 ARMRESTS. ARMRESTS NOT COVERED.
ISRI	6500-517	N/A	6500-517 SINGLE SEAT, SUITS DRIVER OR PASSENGER SIDE	ISR1372.187			FABRIC SKIRT PATTERN

MAKE	MODEL	YEAR	SERIES & SUB MODEL	Front Pattern Number	Middle Pattern Number	Rear Pattern Number	Notes
ISUZU	D MAX	10/08 - 05/12	(TF) ALL BADGES SINGLE CAB BENCH SEAT	ISU1181.211			RM1181 - G2B
ISUZU	D MAX	10/08 - 05/12	(TF) ALL BADGES SINGLE CAB BKT SEATS	ISU1068.102C			RM - G2B, TRB, TRG. AO AVAILABLE.
ISUZU	D MAX	10/08 - 05/12	(TF) ALL BADGES DUAL CAB	ISU1068.102C		ISU5064.956	RM - G2B, TRB, TRG. AO AVAILABLE.
ISUZU	D MAX	07/09 - 05/12	(TF) SX SPACE CAB BKT SEATS	ISU1068.102C			RM - G2B, TRB, TRG. AO AVAILABLE.
ISUZU	D MAX	06/12 - 13	(TF) SX DUAL CAB	ISU1004.102C		ISU5011.1048	RM1004 - G2B, GBB, STC, TRG, TRB, WEB. RMS011 - TRG. AO AVAILABLE. PFM
ISUZU	D MAX	06/12 - 06/20	(TF) ALL BADGES SINGLE CAB	ISU1004.102C			RM1004 - G2B, GBB, STC, TRG, TRB, WEB. AO AVAILABLE.
ISUZU	D MAX	06/12 - 06/20	(TF) LS, LS-U, LS-M, LS-TERRAIN DUAL CAB	ISU1002.102C		ISU5012.1044	RM1002 - G2B, GBB, GBR, STC, TRB, TRG, WEB. RM5012 - G2B, GBB, STC, TRB, TRG. AOF AVAILABLE. PFM. CC04 - ANB & STC
ISUZU	D MAX	06/12 - 06/20	(TF) LS-U SPACE CAB	ISU1002.102C		ISU5178.958	RM1002 - G2B, GBB, GBR, STC, TRB, TRG, WEB. RM5178 - TRG. AOF AVAILABLE. CC04 - ANB & STC
ISUZU	D MAX	06/12 - 06/20	(TF) SX SPACE CAB	ISU1004.102C		ISU5178.958	RM1004 - G2B, GBB, STC, TRG, TRB, WEB. RM5178 - TRG. AO AVAILABLE. CC04 - ANB & STC
ISUZU	D MAX	14 - 06/20	(TF) 4X2 SX DUAL CAB	ISU1004.102C		ISU5011.1048	RM1004 - G2B, GBB, STC, TRB, TRG, WEB. RMS011 - TRG. AO AVAILABLE. PFM
ISUZU	D MAX	14 - 06/20	(TF) 4X4 SX DUAL CAB	ISU1002.102C		ISU5012.1044	RM1002 - G2B, GBB, GBR, STC, TRB, TRG, WEB. RM5012 - G2B, GBB, STC, TRB, TRG. AOF AVAILABLE. PFM. CC04 - ANB & STC
ISUZU	D MAX	07/20 - CURRENT	(TF) SX DUAL CAB	ISU1562.159		ISU5211.1048	RM5211 - GBB, TRB, TRG. AOF AVAILABLE 1562. PFM. CC03 - ANB & STC
ISUZU	D MAX	07/20 - CURRENT	(TF) LS-U, SX SPACE CAB	ISU1224.159			RM1224 - EMB, G2B, GBB, GBL, GBR, RCB, STB, STC, TRB, TRG, WEB. AOF AVAILABLE. CC03 - ANB & STC
ISUZU	D MAX	07/20 - CURRENT	(TF) BLADE, LS-M, LS-U, X-RIDER, X-TERRAIN DUAL CAB	ISU1224.159		ISU5210.1044	RM1224 - EMB, G2B, GBB, GBL, GBR, RCB, STB, STC, TRB, TRG, WEB. RM5210 - G2B, GBB, GBR, STC, TRB, TRG, WEB. AOF AVAILABLE. PFM. CC03 - ANB & STC
ISUZU	D MAX	07/20 - CURRENT	(TF) SX SINGLE CAB	ISU1225.110			RM1225 - GBB, STB, TRB, TRG. AOF AVAILABLE
ISUZU	D MAX	07/20 - CURRENT	(TFS87) DUAL CAB UTILITY	ISU1225.110		ISU5334.1148	RM1225 - GBB, STB, TRB, TRG. AOF AVAILABLE 1225.
ISUZU	ELF	06 - CURRENT	(NLR) NARROW CREW CAB TRUCK	ISU1283.213		CG303.956	RM1283 - CVC, RIB. A/O AVAILABLE.
ISUZU	ELF	07/15 - CURRENT	(NMR, NNR, NPR, NPS) WIDE CAB TRUCK	ISU1288.304			RM1288 - CVC. SUSPENSION SEAT NOT ALLOWED FOR. A/O AVAILABLE. FRONT CONVERTED FROM CG472.
ISUZU	ELF	07/15 - CURRENT	(NMR, NNR, NPR, NPS) WIDE CAB TRUCK	ISU1290.3045			RM1290 - CVC, RIB. SUSPENSION SEAT ALLOWED FOR. A/O AVAILABLE. FRONT CONVERTED FROM CG474.
ISUZU	ELF	07/15 - CURRENT	(NMR, NNR, NPR, NPS) WIDE CAB TRUCK	ISU1204.155			RM - CVC. DRIVER SEAT ONLY - SUSPENSION SEAT NOT ALLOWED FOR. A/O AVAILABLE
ISUZU	F SERIES	96 - 12/07	FRR500, FRR34 TRUCK	CG300.402			
ISUZU	F SERIES	96 - 12/07	FRR500 TRUCK	ISU1281.120			STRETCH BACKING & FABRIC SKIRT PATTERN. ISRI 6500 DRIVER SUSPENSION, STATIC CENTRE & STD PASSENGER SEAT. FRONT CONVERTED FROM CG301.
ISUZU	F SERIES	11/07 - 06/16	NARROW & WIDE CAB TRUCK	ISU1284.129			RM1284 - CVC, RIB. A/O AVAILABLE. ISRI 6860 DRIVER SUSPENSION, FOLD DOWN STATIC CENTRE & STD PASSENGER SEAT FRONTS. FRONT CONVERTED FROM CG304.
ISUZU	F SERIES	11/07 - 06/16	NARROW & WIDE CAB TRUCK	ISU1287.130			A/O AVAILABLE. ISRI 6860 DRIVER SUSPENSION, FOLD DOWN STATIC CENTRE SEAT & ISRI 6860 PASSENGER WITH NO SEATBELT CUT-OUT. FRONT CONVERTED FROM CG471.
ISUZU	F SERIES	11/07 - 06/16	NARROW & WIDE CAB TRUCK, DRIVER SEAT ONLY	ISU1146.149			RM - CVC. A/O ONLY. ISRI 6860 SUSPENSION DRIVER SEAT ONLY .
ISUZU	F SERIES	11/07 - 06/16	(FRR, FSS) NARROW CREW CAB TRUCK	ISU1284.129		ISU5247.1040	RM1284 - CVC, RIB. A/O AVAILABLE. ISRI 6860 DRIVER SUSPENSION, FOLD DOWN STATIC CENTRE & STD PASSENGER SEAT FRONTS. FRONT CONVERTED FROM CG304. REAR CONVERTED FROM CG381.
ISUZU	F SERIES	11/07 - 06/16	(FTR, FTS) WIDE CREW CAB TRUCK	ISU1284.129		ISU5244.1040	RM1284 - CVC, RIB. A/O AVAILABLE. ISRI 6860 DRIVER SUSPENSION, FOLD DOWN STATIC CENTRE & STD PASSENGER SEAT FRONTS. FRONT CONVERTED FROM CG304. REAR CONVERTED FROM CG382.
ISUZU	F SERIES	07/16 - 05/25	(FTR, FTS, FVD162-250) WIDE CREW CAB TRUCK	ISU1289.131		ISU5245.1040	RM1289 - CVC. A/O AVAILABLE. DRIVER & PASSENGER ISRI SUSPENSION SEAT WITH INTERGATED SEAT BELT. FRONT CONVERTED FROM CG473. REAR CONVERTED FROM CG475.
ISUZU	F SERIES	07/16 - 05/25	(FTR, FTS, FVD162-250) TRUCK, PASSENGER SEAT ONLY	ISU1230.160			A/O AVAILABLE. ISRI PASSENGER SEAT ONLY, WITH INTEGRATED SEAT BELT.
ISUZU	F SERIES	07/16 - 05/25	WIDE CREW CAB TRUCK (EXCLUDING FTR, FTS, FVD165-260)	ISU1284.129		ISU5245.1040	RM1284 - CVC, RIB. A/O AVAILABLE. ISRI 6860 DRIVER SUSPENSION, FOLD DOWN STATIC CENTRE & STD PASSENGER SEAT FRONTS. FRONT CONVERTED FROM CG304. REAR CONVERTED FROM CG475.
ISUZU	F SERIES	07/16 - 05/25	WIDE CREW CAB TRUCK (EXCLUDING FTR, FTS, FVD165-260)	ISU1287.130		ISU5245.1040	A/O AVAILABLE. ISRI 6860 DRIVER SUSPENSION, FOLD DOWN STATIC CENTRE SEAT & ISRI 6860 PASSENGER WITH NO SEATBELT CUT-OUT. FRONT CONVERTED FROM CG471. REAR CONVERTED FROM CG475.
ISUZU	F SERIES	07/16 - 05/25	NARROW CREW CAB TRUCK	ISU1284.129		ISU5246.1040	RM1284 - CVC, RIB. A/O AVAILABLE. ISRI 6860 DRIVER SUSPENSION, FOLD DOWN STATIC CENTRE & STD PASSENGER SEAT FRONTS. FRONT CONVERTED FROM CG304. REAR CONVERTED FROM CG476.
ISUZU	F SERIES	07/16 - 05/25	NARROW CREW CAB TRUCK	ISU1287.130		ISU5246.1040	A/O AVAILABLE. ISRI 6860 DRIVER SUSPENSION, FOLD DOWN STATIC CENTRE SEAT & ISRI 6860 PASSENGER WITH NO SEATBELT CUT-OUT. REAR CONVERTED FROM CG476.
ISUZU	F SERIES	07/16 - 05/25	(FTR) WIDE CREW CAB FIRE TRUCK - CAT 1	ISU1459.162		ISU5245.1040	AOF ONLY. MODIFIED SEATS FOR FIRE TRUCKS
ISUZU	F SERIES	01/19 - CURRENT	MCCONNELL SEAT DUAL CAB TRUCK			ISU5133.1089	A/O ONLY. MCCONNELL DESIGN SEAT

MAKE	MODEL	YEAR	SERIES & SUB MODEL	Front Pattern Number	Middle Pattern Number	Rear Pattern Number	Notes
ISUZU	F SERIES	05/25 - CURRENT	FVD, FVL, FVR, FVY, FVZ, FXD, FXR, FXL, FXY, FXZ, FYH & FYJ WIDE SINGLE CAB TRUCK	ISU1607.415			STRETCH BACKING & FABRIC SKIRT PATTERN. AOF AVAILABLE. ISRI 6860/875 NTS2 AIR SUSPENSION DRIVER SEAT WITH UNIVERSAL ARM REST ALLOWANCE, FOLDING CENTRE SEAT & PASSENGER BUCKET SEAT
ISUZU	F SERIES	05/25 - CURRENT	FSD, FSR & FRD & FRR NARROW SINGLE CAB TRUCK	ISU1607.415			STRETCH BACKING & FABRIC SKIRT PATTERN. AOF AVAILABLE. ISRI 6860/875 NTS2 AIR SUSPENSION DRIVER SEAT WITH UNIVERSAL ARM REST ALLOWANCE, FOLDING CENTRE SEAT & PASSENGER BUCKET SEAT
ISUZU	F SERIES	05/25 - CURRENT	FSS WIDE CREW CAB TRUCK	ISU1607.415		ISU5479.1040	STRETCH BACKING & FABRIC SKIRT PATTERN. AOF AVAILABLE. ISRI 6860/875 NTS2 AIR SUSPENSION DRIVER SEAT WITH UNIVERSAL ARM REST ALLOWANCE, FOLDING CENTRE SEAT & PASSENGER BUCKET SEAT. 4 PAX REAR
ISUZU	F SERIES	05/25 - CURRENT	FRR NARROW CREW CAB TRUCK	ISU1607.415		ISU5478.1040	STRETCH BACKING & FABRIC SKIRT PATTERN. AOF AVAILABLE. ISRI 6860/875 NTS2 AIR SUSPENSION DRIVER SEAT WITH UNIVERSAL ARM REST ALLOWANCE, FOLDING CENTRE SEAT & PASSENGER BUCKET SEAT. 4 PAX REAR
ISUZU	F SERIES	05/25 - CURRENT	FVD WIDE CREW CAB TRUCK	ISU1661.257		ISU5479.1040	STRETCH BACKING & FABRIC SKIRT PATTERN. AOF AVAILABLE. ISRI 6860/875 NTS2 AIR SUSPENSION DRIVER & PASSENGER SEAT WITH UNIVERSAL ARM REST ALLOWANCE, FOLDING CENTRE SEAT. 4 PAX REAR
ISUZU	F SERIES	05/25 - CURRENT	FTS WIDE CREW & SINGLE CAB TRUCK	ISU1661.257		ISU5479.1040	STRETCH BACKING & FABRIC SKIRT PATTERN. AOF AVAILABLE. ISRI 6860/875 NTS2 AIR SUSPENSION DRIVER & PASSENGER SEAT WITH UNIVERSAL ARM REST ALLOWANCE, FOLDING CENTRE SEAT. 4 PAX REAR
ISUZU	GIGA	02 - CURRENT	(CX, CXZ, EXY) 2DR TRUCK	ISU1286.132			RM1286 - CVC. A/O AVAILABLE. FRONT CONVERTED FROM CG470
ISUZU	GIGA	18 - CURRENT	(CYZ) 530 2DR TRUCK	ISU1384.132			
ISUZU	I-BUS	2016 - 2024	(NPS) 20 & 26 SEAT BUS - WIDE WIDTH SEATS	DRIVER = ISU1629.253 PASSENGER = ISU1630.253	ISU5145.1093 ISU5146.1094 ISU5147.1095 ISU5148.1096 ISU5187.1100 ISU5188.1101		A/O ONLY. 1629 = DRIVER SIDE ONLY, SUSPENSION SEAT NOT ALLOWED FOR 1630 = PASSENGER SIDE ONLY 5145 = SEATBELT FROM THE LEFT, HANDLE ON THE RIGHT 5146 = SEATBELT FROM THE RIGHT, NO HANDLE 5147 = SEATBELT FROM THE RIGHT, HANDLE ON THE LEFT 5148 = SEATBELT FROM THE LEFT, NO HANDLE 5187 = INCLUDES ISOFIX, SEATBELT FROM THE LEFT, NO HANDLE 5188 = INCLUDES ISOFIX, SEATBELT FROM THE RIGHT, NO HANDLE
ISUZU	I-BUS	21 - CURRENT	(NPR / NQR) 32 SEAT BUS - NARROW WIDTH SEATS (BLUE DOT DESIGN)	DRIVER = ISU1629.253 PASSENGER = ISU1630.253	ISU5302.1093 ISU5303.1094 ISU5304.1095 ISU5305.1096 ISU5455.1101 ISU5456.1100		A/O ONLY. 1629 = DRIVER SIDE ONLY, SUSPENSION SEAT NOT ALLOWED FOR 1630 = PASSENGER SIDE ONLY 5302 = SEATBELT FROM THE LEFT, HANDLE ON THE RIGHT 5303 = SEATBELT FROM THE RIGHT, NO HANDLE 5304 = SEATBELT FROM THE RIGHT, HANDLE ON THE LEFT 5305 = SEATBELT FROM THE LEFT, NO HANDLE 5455 = INCLUDES ISOFIX, SEATBELT FROM THE RIGHT, NO HANDLE 5456 = INCLUDES ISOFIX, SEATBELT FROM THE LEFT, NO HANDLE
ISUZU	I-BUS	25 - CURRENT	(NPS 4x4) 20 & 26 SEAT BUS - WIDE WIDTH SEATS (GREY LEATHER)	DRIVER = ISU1629.253 PASSENGER = ISU1630.253	ISU5459.1093 ISU5460.1094 ISU5461.1095 ISU5462.1096 ISU5463.1100 ISU5464.1101		A/O ONLY. 1629 = DRIVER SIDE ONLY, SUSPENSION SEAT NOT ALLOWED FOR 1630 = PASSENGER SIDE ONLY 5459 = SEATBELT FROM THE LEFT, HANDLE ON THE RIGHT 5460 = SEATBELT FROM THE RIGHT, NO HANDLE 5461 = SEATBELT FROM THE RIGHT, HANDLE ON THE LEFT 5462 = SEATBELT FROM THE LEFT, NO HANDLE 5463 = INCLUDES ISOFIX, SEATBELT FROM THE LEFT, NO HANDLE 5464 = INCLUDES ISOFIX, SEATBELT FROM THE RIGHT, NO HANDLE
ISUZU	I-BUS	16 - CURRENT	(NPR, NPS, NQR) DRIVER & PASSENGER SEAT, WITH SUSPENSION SEAT ALLOWED FOR ON DRIVER SIDE	ISU1192.151			A/O ONLY. DRIVER SUSPENSION SEAT ALLOWED FOR
ISUZU	I-BUS	21 - CURRENT	(NPR, NPS, NQR) DRIVER & PASSENGER SEAT, WITHOUT SUSPENSION SEAT ALLOWED FOR ON DRIVER SIDE	ISU1082.310			A/O ONLY. SUSPENSION SEAT NOT ALLOWED FOR
ISUZU	MU-X	11/13 - 06/15	(UCR, UCS) LS-M, LS-T, LS-U SUV	ISU1002.102C	ISU5047.987	ISU9007.931	RM1002 - G2B, GBB, GBR, STC, TRB, TRG, WEB. RM5047 - G2B, GBB, WEB. RM9007 - G2B. AOF AVAILABLE 1002 & 5047. CC04 - ANB & STC
ISUZU	MU-X	07/15 - 06/21	(UCR, UCS) LS-M, LS-T, LS-U, ONYX SUV	ISU1002.102C	ISU5054.987	ISU9007.931	RM1002 - G2B, GBB, GBR, STC, TRB, TRG, WEB. RM5054 - G2B, GBB. RM9007 - G2B. AOF AVAILABLE 1002. CC04 - ANB & STC
ISUZU	MU-X	07/21 - CURRENT	(RJ, UCR, UCS) ALL BADGES SUV	ISU1224.159	ISU5268.987	ISU9037.931	RM1224 - EMB, G2B, GBB, GBL, GBR, RCB, STB, STC, TRB, TRG, WEB. RM5268 - EMB, G2B, GBB, GBL, TRB, WEB. RM9037 - GBB. AOF AVAILABLE 1224 & 5268. CC13 - ANB
ISUZU	N SERIES	94 - 10/07	(NP, NQ) 300 - 500 WIDE CAB TRUCK	ISU1280.304			STRETCH BACKING & FABRIC SKIRT PATTERN. FRONT CONVERTED FROM CG299
ISUZU	N SERIES	01/96 - 12/04	(NK, NP, NQ) SINGLE & DUAL CAB TRUCK	CG049.303			
ISUZU	N SERIES	11/07 - 06/15	(NN, NP, NQ) WIDE CAB 2 DR TRUCK	ISU1282.304			RM1282 - CVC, RIB. A/O AVAILABLE. FRONT CONVERTED FROM CG302
ISUZU	N SERIES	11/07 - CURRENT	(NL, NMR) NARROW CREW CAB TRUCK	ISU1283.213		CG303.956	RM1283 - CVC, RIB. DRIVER SEAT DOES NOT HAVE SUSPENSION. A/O AVAILABLE. FRONT CONVERTED FROM CG303
ISUZU	N SERIES	11/07 - CURRENT	(NN, NP, NQ) WIDE CREW CAB TRUCK	ISU1282.304		ISU5243.956	RM1282 - CVC, RIB. RM5243 - CVC. A/O AVAILABLE. FRONT CONVERTED FROM CG302. REAR CONVERTED FROM CG380
ISUZU	N SERIES	11/07 - CURRENT	(NPS) WIDE CREW CAB FIRE TRUCK - CAT 7	ISU1082.310		ISU5366.956	AOF ONLY. MODIFIED SEATS FOR FIRE TRUCKS.
ISUZU	N SERIES	07/15 - CURRENT	(NN, NP, NQ) WIDE CAB 2 DR TRUCK	ISU1288.304			RM1288 - CVC. SUSPENSION SEAT NOT ALLOWED FOR. A/O AVAILABLE. FRONT CONVERTED FROM CG472.
ISUZU	N SERIES	07/15 - CURRENT	(NN, NP, NQ) WIDE CAB 2 DR TRUCK	ISU1290.304S			RM1290 - CVC, RIB. SUSPENSION SEAT ALLOWED FOR. A/O AVAILABLE. FRONT CONVERTED FROM CG474.

MAKE	MODEL	YEAR	SERIES & SUB MODEL	Front Pattern Number	Middle Pattern Number	Rear Pattern Number	Notes
ISUZU	N SERIES	07/15 - CURRENT	(NN, NP, NQ) WIDE CAB 2 DR TRUCK, DRIVER SEAT ONLY	ISU1204.155			RM - CVC. DRIVER SEAT ONLY - SUSPENSION SEAT NOT ALLOWED FOR. A/O AVAILABLE
ISUZU	N SERIES	07/15 - CURRENT	(NN, NP, NQ) WIDE CAB 2 DR TRUCK, DRIVER SEAT ONLY	ISU1203.154			RM - CVC. DRIVER SEAT ONLY - SUSPENSION SEAT ALLOWED FOR. A/O ONLY.
ISUZU	N SERIES	06/20 - CURRENT	(NMR) MY22 NARROW CAB TRUCK	ISU1308.192			RM - CVC. DRIVER SUSPENSION SEAT NOT ALLOWED FOR. A/O AVAILABLE.
ISUZU	N SERIES	06/20 - CURRENT	(NMR) MY22 NARROW CAB TRUCK	ISU1307.169			RM1307 - CVC. A/O AVAILABLE. SUSPENSION SEAT ALLOWED FOR.
ISUZU	N SERIES	05/25 - CURRENT	NLR, NMR, NMS NARROW SINGLE CAB TRUCK	ISU1632.416			STRETCH BACKING & FABRIC SKIRT PATTERN. AOF AVAILABLE. DRIVERS BUCKET SEAT WITH MECHANICAL SUSPENSION & WEIGHT ADJUSTMENT. PASSENGER BENCH SEAT WITH FOLDING CENTRE BACKREST
ISUZU	N SERIES	05/25 - CURRENT	NKR NARROW SINGLE CAB TRUCK	ISU1662.417			STRETCH BACKING & FABRIC SKIRT PATTERN. AOF AVAILABLE. DRIVERS BUCKET SEAT WITH ARMREST (NON SUSPENSION). PASSENGER BENCH SEAT WITH FOLDING CENTRE BACKREST
ISUZU	N SERIES	05/25 - CURRENT	NMS NARROW CREW CAB TRUCK	ISU1662.417		NPR	STRETCH BACKING & FABRIC SKIRT PATTERN. AOF AVAILABLE. DRIVERS BUCKET SEAT WITH ARMREST (NON SUSPENSION). PASSENGER BENCH SEAT WITH FOLDING CENTRE BACKREST. 3 PAX REAR
ISUZU	N SERIES	05/25 - CURRENT	NNR, NPR, NPS, NQR, NQS WIDE SINGLE CAB TRUCK	ISU1606.416			STRETCH BACKING & FABRIC SKIRT PATTERN. AOF AVAILABLE. DRIVERS BUCKET SEAT WITH MECHANICAL SUSPENSION & WEIGHT ADJUSTMENT. PASSENGER BENCH SEAT WITH FOLDING CENTRE BACKREST
ISUZU	N SERIES	05/25 - CURRENT	NNR, NPR, NPS, NQR, NQS WIDE CREW CAB TRUCK	ISU1663.417		ISU5481.531	STRETCH BACKING & FABRIC SKIRT PATTERN. AOF AVAILABLE. DRIVERS BUCKET SEAT WITH ARMREST (NON SUSPENSION). PASSENGER BENCH SEAT WITH FOLDING CENTRE BACKREST. REAR 4 PAX

MAKE	MODEL	YEAR	SERIES & SUB MODEL	Front Pattern Number	Middle Pattern Number	Rear Pattern Number	Notes
IVECO	DAILY	06/12 - 05/15	3DR VAN	IV003.101F			
IVECO	DAILY	05/15 - CURRENT	3 SEAT VAN	IVE1209.139			
IVECO	DAILY	05/15 - CURRENT	3 SEAT VAN, SINGLE CAB	IVE1498.135			A/O AVAILABLE
IVECO	DAILY	05/15 - CURRENT	(35S13 & 70C18) 3 SEAT VAN	IVE1321.171			A/O AVAILABLE
IVECO	DAILY	05/15 - CURRENT	2 SEAT VAN, SINGLE CAB	IV002.134			
IVECO	DAILY	05/15 - CURRENT	(50C18, 50C21, 70C18, 70C21, 70S18) ALL BADGES REAR QUAD SEAT DUAL CAB	VARIOUS		IVE5421.1162	
IVECO	DAILY	01/16 - 01/21	(35S17) 3 SEAT VAN	IVE1373.186			
IVECO	DAILY	01/21 - CURRENT	(35S14V) WB3000, WB3520, WB4100 VAN	IVE1373.186			
IVECO	DAILY	01/21 - CURRENT	35S14V, 35S18V, 45C18 & 50C18V VAN	IVE1452.223			A/O AVAILABLE
IVECO	S-WAY	01/23 - CURRENT	S-WAY TRUCK	IVE1470.162			A/O ONLY. ISRI 6860/870 NTS2 DRIVER & PASSENGER WITH INTEGRATED SEAT BELT.
IVECO	S-WAY	01/23 - CURRENT	S-WAY TRUCK	IVE1594.248			AOF ONLY. ISRI 6860/870 NTS2 DRIVER & PASSENGER WITH INTEGRATED SEAT BELT & ARMRESTS. ARMRESTS NOT COVERED.

MAKE	MODEL	YEAR	SERIES & SUB MODEL	Front Pattern Number	Middle Pattern Number	Rear Pattern Number	Notes
JCB	BACKHOE	21 - CURRENT	1CX, 1CXT MINI BACKHOE LOADER	JCB1469.230			AOF ONLY. SINGLE SEAT. WITHOUT HEADREST
JCB	BACKHOE	22 - CURRENT	1CXT, 2CX, 3CX, 4CX, 4CX ECO, 5CX, 5CX ECO BACKHOE	JCB1393.195			AOF ONLY. SINGLE SEAT. ONE PIECE PATTERN INCLUDING HEADREST COVER
JCB	BACKHOE	22 - CURRENT	3CX-ECO BACKHOE	JCB1480.229			AOF ONLY. SINGLE SEAT
JCB	BACKHOE	24 - CURRENT	3CX PLUS, 5CX PRO BACKHOE	JCB1539.237			AOF ONLY. SINGLE SEAT
JCB	EXCAVATOR	18 - CURRENT	18Z-1 EXCAVATOR	JCB1468.179			AOF ONLY. SINGLE SEAT
JCB	EXCAVATOR	22 - CURRENT	35Z EXCAVATOR	JCB1464.174			AOF ONLY. SINGLE SEAT
JCB	MINI EXCAVATOR	22 - CURRENT	50Z, 86C MINI EXCAVATOR WITH HEADREST	JCB1488.187			AOF ONLY. SINGLE SEAT
JCB	MINI EXCAVATOR	22 - CURRENT	35Z, 50Z, 55Z, 60C MINI EXCAVATOR WITHOUT HEADREST	JCB1489.174			AOF ONLY. SINGLE SEAT
JCB	ROLLER	22 - CURRENT	CT260 ROLLER	JCB1463.179			AOF ONLY. SINGLE SEAT
JCB	SF383 LOADALL	22 - CURRENT	LOADALL, 531-70, 533-105, 535-95, 540-170, 560-80 & 411HT	JCB1369.184			AOF ONLY. SINGLE SEAT
JCB	SF993 LOADALL	22 - CURRENT	AGRI-PRO TELEHANDLER LOADALL WITH HEAT SWITCH - 532-70, 542-70	JCB1370.185			AOF ONLY. SINGLE SEAT
JCB	SITE DUMPER	22 - CURRENT	6T, 9T-3 SITE DUMPER WITH TOOLBOX ALLOWANCE	JCB1487.179			AOF ONLY. SINGLE SEAT
JCB	SKID STEER	22 - CURRENT	215, 270, 300, 3TS SKID STEER LOADER	JCB1467.174			AOF ONLY. SINGLE SEAT
JCB	SKID STEER	22 - CURRENT	155 & 205 SKID STEER LOADER	JCB1466.179			AOF ONLY. SINGLE SEAT
JCB	TELEHANDLER	22 - CURRENT	TM320S TELEHANDLER	JCB1493.231			AOF ONLY. SINGLE SEAT
JCB	TELEHANDLER	22 - CURRENT	555-210R ROTATING TELEHANDLER	JCB1549.184			AOF ONLY. SINGLE SEAT
JCB	TRACKED EXCAVATOR	14 - 20	JZ140 TRACKED EXCAVATOR	JCB1491.152			AOF ONLY. SINGLE SEAT
JCB	TRACKED EXCAVATOR	21 - CURRENT	JS220X, JS245XR TRACKED EXCAVATOR	JCB1492.232			AOF ONLY. SINGLE SEAT
JCB	WHEEL LOADER	22 - CURRENT	409 HT WHEEL LOADER	JCB1514.233			AOF ONLY. SINGLE SEAT
JCB	WHEELED EXCAVATOR	22 - CURRENT	110 POTHOLE PRO WHEELED EXCAVATOR	JCB1490.187			AOF ONLY. SINGLE SEAT



MAKE	MODEL	YEAR	SERIES & SUB MODEL	Front Pattern Number	Middle Pattern Number	Rear Pattern Number	Notes
JEEP	CHEROKEE	93 - 08/01	(XJ) SPORT, CLASSIC SUV	CN020.102		CN020.704	
JEEP	CHEROKEE	93 - 08/01	(XJ) LIMITED SUV	CN021.102		CN020.704	
JEEP	CHEROKEE	09/01 - 02	(KJ) SPORT SUV	CN026.102C		CN020.704	
JEEP	CHEROKEE	09/01 - 12/04	(KJ) LIMITED SUV	CN025.102C		CN028.946	
JEEP	CHEROKEE	02 - 12/04	(KJ) SPORT SUV	CN026.102C		CN027.905	
JEEP	CHEROKEE	01/03 - 06	(KJ) RENEGADE SUV	CN030.102C		CN030.969	
JEEP	CHEROKEE	05 - 06	(KJ) RENEGADE 65TH ANNIVERSARY SUV	CN029.110		CN047.702	PLASTIC LEVER ON FRONT SEATS FOR REAR ACCESS
JEEP	CHEROKEE	01/05 - 02/08	(KJ) LIMITED SUV	CN030.102C		CN030.969	
JEEP	CHEROKEE	01/05 - 02/08	(KJ) SPORT SUV	CN033.102C		CN033.946	
JEEP	CHEROKEE	06 - 02/08	(KJ) RENEGADE, RENEGADE EXTREME SPORT SUV	CN039.102C		CN039.969	
JEEP	CHEROKEE	03/08 - 04/13	(KK) SPORT SUV	CN041.102C		CN041.991	
JEEP	CHEROKEE	03/08 - 04/13	(KK) LIMITED SUV	CN044.102C		CN041.991	
JEEP	CHEROKEE	06/14 - 02/22	(KL) ALL BADGES (EXCLUDING NIGHT EAGLE) SUV	CN058.102C		CN058.1007	
JEEP	COMPASS	03/07 - 03/10	(MK) SPORT, LIMITED SUV	CN052.102A		CN052.1012	
JEEP	COMPASS	01/12 - 01/17	(MK) BLACKHAWK, LIMITED, NORTH, SPORT SUV	NPR		CN052.1012	
JEEP	COMPASS	12/17 - CURRENT	(M6) LIMITED, S-LIMITED SUV	JEE1091.102C		JEE5089.1080	FRONT PASSENGER - NO ALLOWANCE FOR BASE STORAGE LIFT
JEEP	COMPASS	12/17 - CURRENT	(M6) LONGITUDE, SPORT, TRAILHAWK SUV	JEE1091.102C		JEE5199.1104	
JEEP	GRAND CHEROKEE	03/96 - 07/99	(ZG) LAREDO LIMITED SUV	CN022.102		CN022.1019	
JEEP	GRAND CHEROKEE	11/00 - 05/05	(WG, WJ) LIMITED SUV	CN025.102C		CN025.911	
JEEP	GRAND CHEROKEE	03/03 - 05/05	(WG) LAREDO SUV	CN032.102C		CN028.946	
JEEP	GRAND CHEROKEE	06/05 - 01/11	(WH) LAREDO SUV	CN034.102C		CN034.896	
JEEP	GRAND CHEROKEE	06/05 - 01/11	(WH) LIMITED SUV	CN040.102C		CN040.924	REAR ARMREST NOT COVERED
JEEP	GRAND CHEROKEE	08/06 - 01/11	(WH) SRT 8 SUV			CN040.924	REAR ARMREST NOT COVERED
JEEP	GRAND CHEROKEE	02/11 - 12/21	(WK) LAREDO, LIMITED, OVERLAND SUV	JEE1072.111		JEE5068.1022	RM1072- G2B, EMB, WEB. RM5068 - G2B, WEB
JEEP	GRAND CHEROKEE	10/12 - 12/21	(WK) SRT, SRT 8, TRACKHAWK, TRAILHAWK SUV	CN057.121		JEE5068.1022	RM5068 - G2B, WEB
JEEP	PATRIOT	08/07 - 02/09	(MK) LIMITED, SPORT SUV	CN052.102A		CN052.1012	
JEEP	PATRIOT	10/09 - 01/12	(MK) SPORT SUV	CN054.102C		CN054.944	
JEEP	PATRIOT	02/12 - 12/17	(MK) ALL BADGES SUV	CN056.102C		CN052.1012	
JEEP	WRANGLER	10/96 - 10/03	(TJ) RENEGADE 2DR CONVERTIBLE	CN024.110		CN024.702	MATERIAL PULL TAG ON FRONT SEATS FOR REAR ACCESS
JEEP	WRANGLER	01 - 02/07	(TJ) SPORT 2DR CONVERTIBLE	CN029.110		CN029.702	PLASTIC LEVER ON FRONT SEATS FOR REAR ACCESS
JEEP	WRANGLER	01 - 02/07	(TJ) RENEGADE, SPORT 2DR CONVERTIBLE	JEE1199.110		CN029.702	MATERIAL PULL TAG ON FRONT SEATS FOR REAR ACCESS
JEEP	WRANGLER	03/07 - 09/09	(JK) SPORT, RENEGADE 2DR CONVERTIBLE	CN048.101C		CN048.704	
JEEP	WRANGLER	03/07 - 01/12	(JK) UNLIMITED RENEGADE, UNLIMITED SPORT 4DR CONVERTIBLE	CN048.101C		CN049.969	
JEEP	WRANGLER	02/12 - 04/18	(JK) ALL BADGES 2DR CONVERTIBLE	JEE1327.102C		JEE5125.704	RM1327 - GBB
JEEP	WRANGLER	02/12 - 04/18	(JK) ALL BADGES 4DR CONVERTIBLE	JEE1327.102C		CN050.969	RM1327 - GBB
JEEP	WRANGLER	04/18 - CURRENT	(JL) UNLIMITED NIGHT EAGLE, UNLIMITED SPORT S, UNLIMITED WILLY S 4DR CONVERTIBLE	JEE1156.111		JEE5138.932	
JEEP	WRANGLER	04/18 - CURRENT	(JL) UNLIMITED OVERLAND, UNLIMITED RUBICON 4D CONVERTIBLE	JEE1156.111		JEE5322.1143	CUP HOLDERS BEHIND REAR CENTRE HEADREST
JEEP	WRANGLER	04/18 - CURRENT	(JL) ALL BADGES 2DR CONVERTIBLE	JEE1202.102C		JEE5195.704	

MAKE	MODEL	YEAR	SERIES & SUB MODEL	Front Pattern Number	Middle Pattern Number	Rear Pattern Number	Notes
JOYLONG	E6	01/22 - CURRENT	ELECTRIC MINIBUS 12 & 14 SEAT, 5 ROWS	JOY1439.102C	JOY5348.708 JOY5349.1009	JOY9047.1153	ROW 2 = 5348, ROW 3 & 4 = 5349, ROW 5 = 9047. AOF AVAILABLE

MAKE	MODEL	YEAR	SERIES & SUB MODEL	Front Pattern Number	Middle Pattern Number	Rear Pattern Number	Notes
KAB	N/A	N/A	KAB SEAT WITH HEADREST. SUITS KOBELCO CAB - SK200, SK250, SK380XDLC, SK500XDLC EXCAVATORS	KAB1587.180			AOF ONLY. SINGLE SEAT WITH HEADREST. KAB SEAT (MODEL TBC).
KAB	KAB155	N/A	KAB155 WITHOUT HEADREST. SUITS CATERPILLAR, JCB, KOMATSU, MAGNI MACHINERY	KAB1571.179			AOF ONLY. SINGLE SEAT
KAB	KAB211	N/A	KAB211 WITHOUT HEADREST, BACKREST & BASE ARE JOINED / ONE PIECE. SUITS KOBELCO CAB SK45SRX EXCAVATOR	KAB1588.179			AOF ONLY. SINGLE SEAT
KAB	KAB555	N/A	KAB555 WITHOUT HEADREST. SUITS CATERPILLAR, JCB, KOMATSU, MAGNI MACHINERY	KAB1571.179			AOF ONLY. SINGLE SEAT
KAB	KAB564	N/A	KAB564 HIGH BACK AIR SUSPENSION SEAT WITH HEADREST. SUITS CATERPILLAR, HITACHI, HYUNDAI, KOBELCO, KOMATSU, LIEBHERR, TEREX, VOLVO MACHINERY.	KAB1574.187			AOF ONLY. ARMRESTS NOT ALLOWED FOR

MAKE	MODEL	YEAR	SERIES & SUB MODEL	Front Pattern Number	Middle Pattern Number	Rear Pattern Number	Notes
KIA	CARENS	07/00 - 12/01	HATCH, WAGON	CI005.101C	CI005.520	KIA9120.704	
KIA	CARNIVAL	09/99 - 01	(KV11) WAGON	CI003.107B	CI003.109	KIA9121.704	
KIA	CARNIVAL	01 - 02/07	(KV11) WAGON	CI006.107C	CI006.109C	KIA9122.865	
KIA	CARNIVAL	08/06 - 03/09	(VQ) EX WAGON	CI028.107C	CI030.990	KIA9123.865	
KIA	CARNIVAL	04/09 - 04/11	(VQ) EXE, EX LUXURY, S WAGON	CI028.107C	CI030.990		
KIA	CARNIVAL	02/15 - 09/20	(YP) S, SI, SL-I WAGON	KIA1073.102C	KIA5069.1063	KIA9024.991	RM1073 & RM5069 - G2B, EMB, WEB. RM9024 - EMB, G2B
KIA	CARNIVAL	09/20 - 02/24	(KA4) EX (NZ) SI, SL-I WAGON	KIA1272.102C	KIA5238.1063	KIA9033.991	RM - EMB, GBB.
KIA	CARNIVAL	09/20 - 02/24	(KA4) PLATINUM WAGON	KIA1445.102C	KIA5238.1063	KIA9049.991	RM5238 - EMB, GBB.
KIA	CARNIVAL	09/20 - CURRENT	(KA4, KA4 PE) S WAGON	KIA1272.102C	KIA5238.1063	KIA9033.991	RM - EMB, GBB.
KIA	CARNIVAL	02/24 - CURRENT	(KA4 PE) GT-LINE, GT-LINE LITE, SPORT+ WAGON	KIA1445.102C	KIA5238.1063	KIA9049.991	RM5238 - EMB, GBB.
KIA	CERATO	07/04 - 01/09	(LD) ES HATCH	CI023.102C		CI023.891	REAR ARMREST NOT COVERED
KIA	CERATO	07/04 - 01/09	(LD) EX SEDAN	CI023.102C		CI024.952	REAR ARMREST NOT COVERED
KIA	CERATO	01/09 - 03/13	(TD) S, SI, SLI SEDAN	CI043.102C		CI043.893	
KIA	CERATO	09/09 - 07/13	(TD) S, SI, SIR, SLI HATCH	CI046.102C		CI046.942	
KIA	CERATO	09/09 - 07/13	(TD) KOUP SI, KOUP SLS COUPE	CI064.102C		CI064.1010	
KIA	CERATO	04/13 - 06/18	(YD) EX SEDAN	CI043.102C		CI043.893	PFM
KIA	CERATO	04/13 - 06/18	(YD) S, SI, SLI, SPORT SEDAN	KIA1015.102C		CI065.1032	RM1015 - G2B, WEB. PFM
KIA	CERATO	08/13 - 06/18	(YD) S, SI, SLI, SPORT HATCH	KIA1015.102C		KIA5015.1032	RM1015 - G2B, WEB. RM5015 - G2B. PFM
KIA	CERATO	10/13 - 01/17	(YD) KOUP TURBO, KOUP SI COUPE			CI065.1032	
KIA	CERATO	06/18 - CURRENT	(BD) GT, S, SPORT, SPORT+ SEDAN	KIA1084.102		KIA5081.1032	RM1084 - GBB, WEB. PFM
KIA	CERATO	06/18 - CURRENT	(BD) GT, S, SPORT HATCH	KIA1084.102		KIA5086.1032	RM1084 - GBB, WEB. PFM
KIA	CERES	02/97 - 05/00	(KW52) ALL BADGES UTE	CI002.302			
KIA	EV3	04/24 - CURRENT	(SV) ALL BADGES SUV	KIA1617.102C		KIA5439.965	
KIA	EV5	04/24 - CURRENT	(OV) AIR LR, AIR SR, EARTH LR SUV	KIA1578.243		KIA5413.965	
KIA	EV5	04/24 - CURRENT	(OV) GT-LINE LR SUV	NPR		KIA5413.965	
KIA	EV6	12/21 - CURRENT	(CV) AIR SUV	KIA1672.		KIA5486.	
KIA	GRAND CARNIVAL	01/06 - 5/10	(VQ) EX, EXE, EX-L, PLATINUM, PREMIUM PEOPLE MOVER	CI028.107C	CI030.990	KIA9124.991	
KIA	GRAND CARNIVAL	06/10 - 2014	(VQ) S, SI, SLI, PLATINUM PEOPLE MOVER	CI031.107C	CI030.990	KIA9124.991	
KIA	K4	08/25 - CURRENT	(CL4) ALL BADGES HATCH	KIA1641.102C		KIA5471.949	
KIA	K2700	10/02 - 01/05	(TU) SINGLE CAB	CI008.303			
KIA	K2900	04/08 - 01/13	(PU3) SINGLE CAB	CI008.303			
KIA	MAGENTIS	08/06 - 03/10	(MG) EX SEDAN	CI048.102C		CI048.952	
KIA	MENTOR	96 - 01	GLX, SLX SEDAN			CI012.809	
KIA	MENTOR	12/96 - 05/98	SLX HATCH	CI010.110		CI010.831	
KIA	MENTOR	12/96 - 05/98	GLX HATCH			CI011.807	
KIA	MENTOR	05/98 - 99	SLX HATCH	CI013.102		CI013.802	
KIA	MENTOR	99 - 06/00	SLX HATCH	CI013.102		CI012.809	
KIA	NIRO	04/22 - CURRENT	(SG2) ALL BADGES WAGON	KIA1363.105		KIA5314.965	
KIA	OPTIMA	05/01 - 07/06	(GD) SEDAN	CI018.102		CI018.952	
KIA	OPTIMA	11/15 - 10/20	(JF) SI SEDAN	KIA1132.102C		KIA5129.952	
KIA	PICANTO	05/17 - 09/23	(JA) GT, GT-LINE, S HATCH	KIA1090.102C		KIA5088.1015	RM1090 - GBB
KIA	PICANTO	09/23 - CURRENT	(JA PE2) GT-LINE, SPORT HATCH	KIA1090.102C		KIA5088.1015	RM1090 - GBB
KIA	PREGIO	08/02 - 04/06	(CT, 3VRS) VAN	CI009.303			
KIA	RIO	07/00 - 07/05	(BC) LS SEDAN	CI007.102		CI017.802	
KIA	RIO	07/00 - 02	(BC) LS HATCH	CI015.102		CI015.909	
KIA	RIO	02 - 03	(BC) LS HATCH	CI015.102		CI020.909	
KIA	RIO	03 - 07/05	(BC) LS HATCH	CI007.102		CI007.711	
KIA	RIO	08/05 - 11/09	(JB) EX SEDAN	CI021.107C		CI021.887	
KIA	RIO	08/05 - 11/09	(JB) EX HATCH	CI027.107C		CI027.981	
KIA	RIO	03/07 - 08	(JB) LX HATCH	CI021.107C		CI027.981	
KIA	RIO	08 - 11/09	(JB) LX HATCH	CI036.101C		CI036.1010	

MAKE	MODEL	YEAR	SERIES & SUB MODEL	Front Pattern Number	Middle Pattern Number	Rear Pattern Number	Notes
KIA	RIO	12/09 - 08/11	(JB) SI HATCH	CI037.107C		CI036.1010	
KIA	RIO	12/09 - 08/11	(JB) SI SEDAN	CI037.107C		CI021.887	
KIA	RIO	12/09 - 08/11	(JB) S, SPORTS HATCH	CI041.101D		CI036.1010	
KIA	RIO	09/11 - 14	(UB) SI HATCH	CI058.102C		CI058.1015	
KIA	RIO	09/11 - 01/17	(UB) S HATCH	CI058.102C		CI058.1015	
KIA	RIO	02/12 - 06/13	(UB) SI SEDAN	CI058.102C		CI060.1015	
KIA	RIO	02/12 - 01/17	(UB) S, SLS 2DR HATCH	CI059.102C		CI058.1015	
KIA	RIO	14 - 09/18	(UB, YB) SI HATCH	CI058.102C		CI061.1015	
KIA	RIO	01/17 - CURRENT	(YB) GT-LINE, S, SLI, SPORT 4DR HATCH	KIA1326.102C		KIA5317.1015	RM1326 - GBB. RM5317 - GBB.
KIA	RONDO	04/08 - 09/10	(UN) EX, LX WAGON	CI039.102C	CI039.991	KIA9125.709	
KIA	RONDO	06/13 - 10/20	(RP) SI WAGON	CI070.102C	CI070.990	KIA9126.931	
KIA	RONDO7	10/10 - 05/13	(UN) SI WAGON	CI039.102C	CI039.991	KIA9125.709	
KIA	SELTOS	10/19 - CURRENT	(SP2) GT-LINE, SPORT+ SUV	KIA1163.102C		KIA5156.1024	RM1163 - G2B, GBB. RM5156 - GBB.
KIA	SELTOS	10/19 - CURRENT	(SP2) S, SPORT SUV	KIA1163.102C		KIA5157.1098	RM1163 - G2B, GBB. RM5157 - GBB.
KIA	SHUMA	01/00 - 04/01	ALL BADGES HATCH	CI016.102		CI012.809	
KIA	SORENTO	02/03 - 09/09	(BL) EX SUV	CI025.102C		CI025.942	
KIA	SORENTO	02/03 - 09/09	(BL) LX SUV	CI051.102C		CI051.942	
KIA	SORENTO	10/09 - 05/15	(XM) SLI SUV	CI052.102C	CI052.972		
KIA	SORENTO	06/15 - 07/17	(UM) PLATINUM, SI, SLI SUV	CI067.102C	CI067.1006	KIA9127.931	CI067.931
KIA	SORENTO	08/17 - 06/20	(UM) SI, SLI, SPORT SUV	KIA1101.102C	CI067.1006	KIA9127.931	CI067.931
KIA	SORENTO	07/20 - CURRENT	(MQ4) HEV LIGHT (NZ) S, SPORT SUV	KIA1236.102C	KIA5215.1120	KIA9029.931	RM1236 - GBB. RM5215 - EMB, G2B, GBB
KIA	SORENTO	07/20 - CURRENT	(MQ4) SPORT + SUV	KIA1325.102C	KIA5215.1120	KIA9029.931	RM5215 - EMB, G2B, GBB
KIA	SORENTO	07/20 - CURRENT	(MQ4) GT-LINE SUV	KIA1292.102C	KIA5215.1120	KIA9029.931	RM5215 - EMB, G2B, GBB
KIA	SOUL	04/09 - 01/14	(AM) ALL BADGES HATCH	CI044.102C		CI044.1015	
KIA	SOUL	02/14 - 10/20	(PS) SI HATCH	CI072.102C		CI072.995	
KIA	SPECTRA	05/01 - 06/04	(FB) LS HATCH	CI019.102C		CI019.894	
KIA	SPORTAGE	12/96 - 08/99	(JA) ALL BADGES SUV	CI001.102C		CI001.707	
KIA	SPORTAGE	08/99 - 06/04	(JA) ALL BADGES SUV	CI004.101C		CI004.919	
KIA	SPORTAGE	04/05 - 08	(KM) LX SUV	CI026.102C		CI026.972	REAR ARMREST NOT COVERED
KIA	SPORTAGE	08 - 07/10	(KM) LX SUV	CI032.102C		CI026.972	REAR ARMREST NOT COVERED
KIA	SPORTAGE	05/10 - 05/13	(SL) SERIES 1 PLATINUM, SI, SLI SUV	CI033.102C		CI033.965	REAR ARMREST NOT COVERED
KIA	SPORTAGE	06/13 - 15	(SL) SERIES 2 PLATINUM, SI, SI PREMIUM, SLI SUV	KIA1085.102C		KIA5083.1032	NON REMOVABLE HEADRESTS
KIA	SPORTAGE	01/16 - 09/21	(QL) ALL BADGES SUV	KIA1074.102C		KIA5070.1032	RM - G2B, EMB, WEB
KIA	SPORTAGE	09/21 - CURRENT	(NQ) S, SX & SX HEV SUV	KIA1332.102C		KIA5276.965	RM1332 - EMB, GBB, WEB. RM5276 - EMB, GBB
KIA	SPORTAGE	09/21 - CURRENT	(NQ) GT-LINE, GT-LINE HEV & SX+ SUV	KIA1331.102C		KIA5276.965	RM1331 - GBB. RM5276 - EMB, GBB
KIA	STINGER	07/17 - 04/23	(CK) GT, GT LINE, 200S, 200Si LIFTBACK	KIA1100.102C		KIA5098.1013	
KIA	STONIC	10/20 - CURRENT	(YB) GT-LINE, S, SPORT WAGON	KIA1326.102C		KIA5317.1015	RM1326 - GBB. RM5317 - GBB.
KIA	TASMAN	08/25 - CURRENT	(TK) S, SX, SX+ DUAL CAB	KIA1621.252		KIA5443.932	AOF AVAILABLE
KIA	TASMAN	08/25 - CURRENT	(TK) S, SX SINGLE CAB	KIA1621.252			AOF AVAILABLE
KIA	TASMAN	08/25 - CURRENT	(TK) TX, TXR SINGLE CAB - NEW ZEALAND MODELS ONLY	KIA1621.252			AOF AVAILABLE
KIA	TASMAN	08/25 - CURRENT	(TK) X-PRO DUAL CAB	KIA1622.252		KIA5444.942	AOF AVAILABLE
KIA	TASMAN	08/25 - CURRENT	(TK) X-LINE DUAL CAB	KIA1623.252		KIA5444.942	AOF AVAILABLE

MAKE	MODEL	YEAR	SERIES & SUB MODEL	Front Pattern Number	Middle Pattern Number	Rear Pattern Number	Notes
KING LONG	BUS - REGULAR	22 - CURRENT	BUS / COACH SEATS VARY REFER TO PASSENGER SEAT IMAGES 39 PASSENGER + DRIVER (9.1MTR) 41 - 45 PASSENGER + DRIVER (10.1MTR) 53 - 57 PASSENGER + DRIVER (12.5MTR) 59 - 61 PASSENGER + DRIVER (13.1MTR)	KIN1602.246	KIN5427.1101 KIN5428.1100 KIN5446.1093 KIN5447.1095 KIN5448.1096 KIN5449.1094	AOF ONLY. 1602 = ISRI SINGLE DRIVER SEAT 5427 = INCLUDES ISOFIX, SEATBELT FROM THE RIGHT, NO HANDLE 5428 = INCLUDES ISOFIX, SEATBELT FROM THE LEFT, NO HANDLE 5446 = SEATBELT FROM THE LEFT, HANDLE ON THE RIGHT 5447 = SEATBELT FROM THE RIGHT, HANDLE ON THE LEFT 5448 = SEATBELT FROM THE LEFT, NO HANDLE 5449 = SEATBELT FROM THE RIGHT, NO HANDLE	
KING LONG	BUS - DELUXE	22 - CURRENT	BUS / COACH (FAINSA SEATING) SEATS VARY REFER TO PASSENGER SEAT IMAGES 39 PASSENGER + DRIVER (9.1MTR) 41 - 45 PASSENGER + DRIVER (10.1MTR) 53 - 57 PASSENGER + DRIVER (12.5MTR) 59 - 61 PASSENGER + DRIVER (13.1MTR)	KIN1602.246	KIN5429.727 KIN5430.726 KIN5453.725 KIN5454.724	AOF ONLY 1602 = ISRI SINGLE DRIVER SEAT 5429 = INCLUDES ISOFIX, SEATBELT FROM THE LEFT, USB, GRAB HANDLE 5430 = INCLUDES ISOFIX, SEATBELT FROM THE RIGHT, USB, GRAB HANDLE 5453 = SEATBELT FROM THE LEFT, USB, GRAB HANDLE 5454 = SEATBELT FROM THE RIGHT, USB, GRAB HANDLE	

MAKE	MODEL	YEAR	SERIES & SUB MODEL	Front Pattern Number	Middle Pattern Number	Rear Pattern Number	Notes
KOBELCO	EXCAVATOR	22 - CURRENT	CAB MODELS - SK26SR, SK35SR, SK55SRX EXCAVATOR	KOB1585.316			GRAMMER PRIMO XXM MSG65/522 SEAT. AOF ONLY. SINGLE SEAT WITH HEADREST
KOBELCO	EXCAVATOR	22 - CURRENT	CANOPY MODELS - SK26SR, SK28SR, SK35SR, SK45SRX, SK55SRX EXCAVATOR	KOB1586.317			GRAMMER PRIMO XXM MSG65/522 SEAT. AOF ONLY. SINGLE SEAT EXCLUDING HEADREST
KOBELCO	EXCAVATOR	22 - CURRENT	CAB MODELS - SK200, SK250, SK380XDLC, SK500XDLC EXCAVATOR	KOB1587.180			KAB SEAT (MODEL TBC). AOF ONLY. SINGLE SEAT WITH HEADREST.
KOBELCO	EXCAVATOR	22 - CURRENT	CAB MODEL - SK45SRX EXCAVATOR	KOB1588.179			KAB211 SEAT. AOF ONLY. SINGLE SEAT EXCLUDING HEADREST. BACKREST & BASE ARE JOINED (ONE PIECE)
KOBELCO	EXCAVATOR	22 - CURRENT	CANOPY MODEL - SK17SR, SK17.6 WITH TOOLBOX	KOB1589.245			AOF ONLY. SINGLE SEAT EXCLUDING HEADREST. SEAT MODEL TBC.
KOBELCO	EXCAVATOR	10 - CURRENT	GRAMMER MAXIMO PROFESSIONAL WITH TOOLBOX CUTOUT	KOB1592.184			AO ONLY. SINGLE SEAT WITH HEADREST. MACHINERY DETAILS TBC
KOBELCO	EXCAVATOR	22 - CURRENT	CAB MODELS - SK75SR, SK85MSR, SK100MSR, SK135SR, SK140LC, SK225SR, SK235SR, SK500LC EXCAVATOR	KOB1554.315			GRAMMER ACTIMO XXL MSG97G/722 SEAT. AOF ONLY. SINGLE SEAT WITH HEADREST

MAKE	MODEL	YEAR	SERIES & SUB MODEL	Front Pattern Number	Middle Pattern Number	Rear Pattern Number	Notes
KUBOTA	EXCAVATOR	22 - CURRENT	KX033, KX040, KX057, U35, U48, U55 EXCAVATOR	KUB1653.174			AOF ONLY

MAKE	MODEL	YEAR	SERIES & SUB MODEL	Front Pattern Number	Middle Pattern Number	Rear Pattern Number	Notes
LADA	NIVA	88 - 95	WAGON	CL001.101		CL001.702	
LADA	SAMARA	88 - 96	DELUXE HATCH	CL005.101		CL005.702	

MAKE	MODEL	YEAR	SERIES & SUB MODEL	Front Pattern Number	Middle Pattern Number	Rear Pattern Number	Notes
LAND ROVER	110	84 - 88	(110) COUNTY SUV	CR038.102		CR038.501	
LAND ROVER	DEFENDER	92 - 03/02	(90, 110, 130) DUAL CAB & SUV	CR041.101		CR041.501	
LAND ROVER	DEFENDER	03/92 - 03/02	(90, 110, 130) 2 DOOR SINGLE CAB & SUV	CR042.305			
LAND ROVER	DEFENDER	04/02 - 09/07	(110, 130) DUAL CAB & SUV	CR041.101		CR014.897	
LAND ROVER	DEFENDER	10/07 - 08/16	(110) 4DR SUV	CR015.101C		CR015.983	
LAND ROVER	DEFENDER	10/19 - 11/20	(110) D240 NO BADGE 7 SEAT SUV	LAN1232.102C	LAN5213.1124	N/A	NO USB ON FRONT ROW. 3RD ROW N/A
LAND ROVER	DEFENDER	10/19 - 11/20	(110) D240 NO BADGE 5 SEAT SUV	LAN1232.102C		LAN5213.1124	NO USB ON FRONT ROW
LAND ROVER	DEFENDER	10/19 - CURRENT	(110) D240 ALL BADGES, P400 ALL BADGES 7 SEAT SUV	LAN1234.102C	LAN5290.1036	N/A	USB ALLOWANCE FRONT ROW. 3RD ROW N/A
LAND ROVER	DEFENDER	10/19 - CURRENT	(110) D240 ALL BADGES, P400 ALL BADGES 5 SEAT SUV	LAN1234.102C		CR028.931	USB ALLOWANCE FRONT ROW
LAND ROVER	DEFENDER	10/19 - CURRENT	(110) P300 5 SEAT SUV	LAN1484.102C		LAN5372.1124	NO USB ON FRONT ROW. NO ARMREST 2ND ROW.
LAND ROVER	DEFENDER	11/20 - CURRENT	(110) D300 X-DYNAMIC SE SUV	LAN1538.102C		LAN5260.1119	NO USB ON FRONT ROW
LAND ROVER	DEFENDER	11/20 - 07/23	(110) D300 SE 6 SEAT SUV	LAN1278.170		LAN5260.1119	FRONT ROW MIDDLE SEAT / ARMREST NOT COVERED. USB ALLOWANCE FRONT ROW.
LAND ROVER	DEFENDER	04/21 - 01/25	(110) P525 6 SEAT SUV	LAN1278.170		LAN5260.1119	FRONT ROW MIDDLE SEAT / ARMREST NOT COVERED. USB ALLOWANCE FRONT ROW.
LAND ROVER	DEFENDER	07/23 - CURRENT	(110) P400 ALL BADGES SUV	LAN1551.102C			SUITS NON-REMOVEABLE FRONT HEADRESTS. NO USB ON FRONT ROW
LAND ROVER	DEFENDER	07/24 - CURRENT	(110) D350 X DYNAMIC SUV			LAN5260.1119	
LAND ROVER	DISCOVERY	04/91 - 03/99	(SERIES 1) 2DR OR 4DR SUV	CR039.114		CR039.860	
LAND ROVER	DISCOVERY	99 - 01/02	(SERIES 2) ES TD5 SUV	CR020.114		CR044.901	
LAND ROVER	DISCOVERY	99 - 03/05	(SERIES 2) 4DR SUV	CR020.114		CR020.876	
LAND ROVER	DISCOVERY	04/05 - 09/09	(SERIES 3) S SUV	CR022.119		CR021.984	
LAND ROVER	DISCOVERY	04/05 - 09/09	(SERIES 3) SE, HSE SUV	CR022.119	LAN5237.959		
LAND ROVER	DISCOVERY	04/05 - 09/09	(SERIES 3) SE, HSE SUV	LAN1389.193	LAN5237.959		FRONT HAS ARMRESTS
LAND ROVER	DISCOVERY	09/09 - 07/17	(SERIES 4) SE SUV	CR024.107C	LAN5237.959	LAN9128.931	
LAND ROVER	DISCOVERY	09/09 - 11/12	(SERIES 4) TDV6 SUV	CR023.102C	LAN5237.959		
LAND ROVER	DISCOVERY	12/12 - 07/17	(SERIES 4) TDV6 SUV	CR027.102C		LAN5237.959	
LAND ROVER	DISCOVERY	12/16 - 10/18	(SERIES 5) TD4, TD6 SUV	CR028.107C	LAN5290.1036	LAN9129.931	EXCLUDING LUXURY FRONT ROW
LAND ROVER	DISCOVERY	12/16 - 12/20	(SERIES 5) SD4 SUV	CR028.107C	LAN5290.1036	LAN9129.931	EXCLUDING LUXURY FRONT ROW
LAND ROVER	DISCOVERY	11/18 - 12/20	(SERIES 5) SD6 SUV	CR028.107C	LAN5290.1036	LAN9129.931	EXCLUDING LUXURY FRONT ROW
LAND ROVER	DISCOVERY	07/23 - CURRENT	(SERIES 5) D300 MHEV - S, DYNAMIC HSE, DYNAMIC SE SUV	LAN1535.107C		N/A	2ND ROW N/A
LAND ROVER	DISCOVERY SPORT	07/16 - 03/22	(LC) 4DR SUV	CR045.102C		CR045.1065	
LAND ROVER	FREELANDER	97 - 11/00	(L314) DI, I, XE1, XED1 SUV	CR013.101B		CR013.900	
LAND ROVER	FREELANDER 2	06/07 - 09/15	(L359) ALL BADGES SUV	CR017.107C		CR017.1022	
LAND ROVER	RANGE ROVER	06/80 - 09/84	ALL BADGES 2DR SUV	CR035.106		CR035.702	
LAND ROVER	RANGE ROVER	82 - 86	ALL BADGES 4DR SUV	CR036.106		CR036.702	
LAND ROVER	RANGE ROVER	85 - 12/89	ALL BADGES SUV	CR037.107		CR043.889	
LAND ROVER	RANGE ROVER	89 - 94	ALL BADGES SUV	CR037.107		CR037.864	
LAND ROVER	RANGE ROVER	08/02 - 12/10	VOGUE SUV	LAN1131.147		N/A	REAR NOT AVAILABLE
LAND ROVER	RANGE ROVER	10/11 - 01/19	(LV) L538 EVOQUE SUV	LAN1160.121C		NPR	
LAND ROVER	RANGE ROVER	11/17 - 11/21	(LG) AUTOBIOGRAPHY ALL BADGES SUV	LAN1147.107C		N/A	REAR NOT AVAILABLE
LAND ROVER	RANGE ROVER	11/17 - 11/21	(LG) AUTOBIOGRAPHY ALL BADGES SUV	LAN1148.107C		N/A	MONITOR ALLOWANCE INCLUDED, REAR NOT AVAILABLE
LAND ROVER	RANGE ROVER	11/17 - 11/21	(LG) VOGUE ALL BADGES SUV	LAN1147.107C		NPR	
LAND ROVER	RANGE ROVER	11/17 - 11/21	(LG) VOGUE ALL BADGES SUV	LAN1148.107C		NPR	MONITOR ALLOWANCE INCLUDED
LAND ROVER	RANGE ROVER	01/19 - CURRENT	(L551) EVOQUE - P200, P250, P300, P300e ALL BADGES SUV	LAN1543.121		LAN5394.1064	
LAND ROVER	RANGE ROVER	06/22 - CURRENT	(L461) P400SE & P460e HSE PHEV SUV	LAN1584.107C		LAN5420.1161	EXCLUDES FRONT DVD ALLOWANCE. FRONT ARMRESTS COVERED. REAR ARMREST NOT COVERED. BUTTONS ON OUTER REAR HEADRESTS.
LAND ROVER	RANGE ROVER SPORT	06/22 - CURRENT	(L461) D250 DYNAMIC SE, D300 DYNAMIC SE, D350 DYNAMIC HSE, D350 FIRST EDITION, P400 MHEV DYNAMIC HSE, P460e PHEV DYNAMIC SE & HSE, P510e PHEV DYNAMIC HSE SUV	LAN1591.107C		LAN5424.1059	INCLUDES FRONT DVD ALLOWANCE. FRONT ARMRESTS COVERED. REAR ARMREST NOT COVERED. NO BUTTONS ON OUTER OF REAR HEADRESTS.
LAND ROVER	RANGE ROVER SPORT	06/22 - CURRENT	(L461) D250 DYNAMIC SE, D300 DYNAMIC SE, D350 DYNAMIC HSE, D350 FIRST EDITION, P460e PHEV DYNAMIC SE & HSE, P510e PHEV DYNAMIC HSE SUV	LAN1584.107C		LAN5420.1161	EXCLUDES FRONT DVD ALLOWANCE. FRONT ARMRESTS COVERED. REAR ARMREST NOT COVERED. BUTTONS ON OUTER REAR HEADRESTS.

MAKE	MODEL	YEAR	SERIES & SUB MODEL	Front Pattern Number	Middle Pattern Number	Rear Pattern Number	Notes
LDV	D90	11/17 - 06/24	(SV9A) EXECUTIVE SUV	LDV1240.102C	LDV5217.1022	LDV9031.1110	RM5217 - GBB
LDV	D90	07/24 - CURRENT	(SV9A, MY25 on) EXECUTIVE, MODE SUV	LDV1615.252	LDV5217.1022	LDV9031.1110	RM5217 - GBB
LDV	DELIVER 7	10/24 - CURRENT	DELIVER 7 VAN	LDV1533.107C			
LDV	DELIVER 9	07/20 - CURRENT	(SV63) 2DR UTILITY & 4DR VAN	LDV1277.127			RM - G2B, GBB, TRB, TRG, WEB
LDV	DELIVER 9	07/20 - CURRENT	(SV63) 2DR UTILITY & 4DR VAN	LDV1420.147			
LDV	DELIVER 9	07/20 - CURRENT	(SV63) 11 SEAT MINIBUS				ROW 1 (LDV1277.127 X QTY 1) RM1277 - G2B, GBB, TRB, TRG, WEB ROW 2 (LDV5345.1150 X QTY 1) ROW 3 (LDV5346.1151 X QTY 1) ROW 4 (LDV5346.1151 OR LDV9046.1152 X QTY1)
LDV	DELIVER 9	07/20 - CURRENT	(SV63) 12 SEAT MINIBUS				ROW 1 (LDV1277.127 X QTY 1) RM1277 - G2B, GBB, TRB, TRG, WEB ROW 2 (LDV5345.1150 X QTY 1) ROW 3 & 4 (LDV5346.1151 X QTY 2) ROW 5 (LDV5346.1151 SINGLE SEAT ONLY X QTY1)
LDV	DELIVER 9	07/20 - CURRENT	(SV63) 14 SEAT MINIBUS				ROW 1 (LDV1277.127 X QTY 1) RM1277 - G2B, GBB, TRB, TRG, WEB ROW 2 (LDV5345.1150 X QTY 1) ROW 3 & 4 (LDV5346.1151 X QTY 2) ROW 5 (LDV5346.1151 OR LDV9046.1152 X QTY1)
LDV	eDELIVER 7	08/23 - CURRENT	eDELIVER 7 VAN	LDV1521.127			
LDV	eT60	08/22 - CURRENT	(SK8C) eT60 DUAL CAB	LDV1055.102C		LDV5059.907	RM1055 - G2B, GBB. RM5059 - G2B.
LDV	G10	03/15 - 06/23	G10 7 SEAT VAN	LDV1330.107C	LDV5357.122	LDV9053.966	RM1330 - TRB. AOF AVAILABLE 1330.
LDV	G10	03/15 - 06/23	G10 2 SEAT VAN	LDV1330.107C			RM1330 - TRB. AOF AVAILABLE 1330.
LDV	G10	03/15 - 06/23	G10 9 SEAT VAN (4 ROWS)	LDV1330.107C	LDV5357.122 LDV5358.107	LDV9052.966	RM1330 - TRB. Row 1 - 107C, Row 2 - 122, Row 3 - 107, Row 4 - 966. AOF AVAILABLE 1330.
LDV	G10+	07/22 - CURRENT	(SV7C) G10 PLUS 2 SEAT VAN	LDV1434.217			RM - TRG. AOF AVAILABLE
LDV	MIFA	09/22 - CURRENT	MODE WAGON	LDV1434.217			RM - TRG. AOF AVAILABLE
LDV	T60	10/17 - CURRENT	(SK8C) ALL BADGES UTE	LDV1055.102C		LDV5059.907	RM1055 - G2B, GBB. RM5059 - G2B.
LDV	TERRON 9	04/25 - CURRENT	(EKK1C) ORIGIN DUAL CAB	LDV1599.102C		LDV5431.888	AOF AVAILABLE
LDV	TERRON 9	04/25 - CURRENT	(EKK1C) EVOLVE DUAL CAB	LDV1599.102C		LDV5426.1120	AOF AVAILABLE
LDV	V80	01/13 - CURRENT	(K1) 11 SEAT MINIBUS				ROW 1 (LDV1277.127 X QTY 1) RM1277 - G2B, GBB, TRB, TRG, WEB ROW 2 (LDV5345.1150 X QTY 1) ROW 3 (LDV5346.1151 X QTY 1) ROW 4 (LDV5346.1151 OR LDV9046.1152 X QTY1)
LDV	V80	01/13 - CURRENT	(K1) V80 3 SEAT VAN	LDV1329.413			

MAKE	MODEL	YEAR	SERIES & SUB MODEL	Front Pattern Number	Middle Pattern Number	Rear Pattern Number	Notes
LEXUS	IS200T	09/15 - 11/17	(ASE30R) F SPORT, LUXURY, SPORTS LUXURY SEDAN	LEX1140.102C			
LEXUS	IS300	10/17 - 12/21	(ASE30R) F SPORT, LUXURY, SPORTS LUXURY SEDAN	LEX1140.102C		LEX5369.913	SIDE BOLSTERS NOT COVERED DUE TO AIRBAGS
LEXUS	LX470	05/98 - 03/08	(UZJ100R) SUV	LEX1092.102C	LEX5078.942	TOY9070.709	RM1092 & RM5078 - G2B, TRG. AO AVAILABLE 1092 & 5078.
LEXUS	NX450H	07/25 - CURRENT	(AAZH26R) PHEV LUXURY SUV	LEX1666.102C		LEX5484.965	
LEXUS	RX350	11/15 - 08/22	(GGL25R) CRAFTED, F SPORT SUV	LEX1383.102C		LEX5318.1132	REAR ARMREST NOT COVERED. REAR AIRBAGS.
LEXUS	UX200	08/18 - CURRENT	(MZA) ALL BADGES SUV	LEX1317.102C		LEX5269.1032	
LEXUS	UX250H	08/18 - CURRENT	(MZA) HYBRID SUV	LEX1317.102C		LEX5269.1032	

MAKE	MODEL	YEAR	SERIES & SUB MODEL	Front Pattern Number	Middle Pattern Number	Rear Pattern Number	Notes
LIUGONG	EXCAVATOR	22 - CURRENT	9018F, 9027F ZTS EXCAVATOR	LIU1356.179			AOF ONLY. SINGLE SEAT
LIUGONG	EXCAVATOR	22 - CURRENT	915E, 922E, 925E, 930E EXCAVATOR	LIU1359.182			AOF ONLY. SINGLE SEAT
LIUGONG	EXCAVATOR	22 - CURRENT	906E EXCAVATOR	LIU1358.181			AOF ONLY. SINGLE SEAT
LIUGONG	EXCAVATOR	22 - CURRENT	9035E EXCAVATOR	LIU1399.174			AOF ONLY. SINGLE SEAT
LIUGONG	EXCAVATOR	22 - CURRENT	915FCR EXCAVATOR	LIU1408.167			AOF ONLY. SINGLE SEAT
LIUGONG	EXCAVATOR	22 - CURRENT	933F EXCAVATOR	LIU1650.315			AOF ONLY. SINGLE SEAT
LIUGONG	LOADER	22 - CURRENT	835H, 838H, 848H, 856H, 862H WHEEL LOADER	LIU1360.182			AOF ONLY. SINGLE SEAT
LIUGONG	LOADER	22 - CURRENT	838T, 848T WHEEL LOADER	LIU1553.197			AOF ONLY. SINGLE SEAT
LIUGONG	ROLLER	22 - CURRENT	6615E ROLLER	LIU1358.181			AOF ONLY. SINGLE SEAT
LIUGONG	ROLLER	22 - CURRENT	6520E ROLLER	LIU1357.180			AOF ONLY. SINGLE SEAT
LIUGONG	SKIDSTEER	22 - CURRENT	365B, 375B, 385B SKIDSTEER	LIU1474.179			AOF ONLY. SINGLE SEAT

MAKE	MODEL	YEAR	SERIES & SUB MODEL	Front Pattern Number	Middle Pattern Number	Rear Pattern Number	Notes
MACK	TRUCK	10/10 - CURRENT	GRANITE, METROLINER, TITAN, TRIDENT, SUPERLINER TRUCK. SEE NOTES	MAC1377.189			A/O ONLY. ISRI 6860-870 BIG BOY / FAT BOY DRIVER & PASSENGER. UNIVERSAL ARM REST ALLOWANCE TO SUIT DRIVER SEAT WITH 0, 1 OR 2 ARM RESTS. ARM RESTS NOT COVERED.
MACK	TRUCK	19 - CURRENT	METROLINER TRUCK	MAC1443.219			A/O ONLY. ISRI 6860-870 DRIVER.
MACK	TRUCK	20 - CURRENT	GRANITE TRUCK	MAC1443.219			A/O ONLY. ISRI 6860-870 DRIVER.

MAKE	MODEL	YEAR	SERIES & SUB MODEL	Front Pattern Number	Middle Pattern Number	Rear Pattern Number	Notes
MAGNI	FORKLIFT	25 - CURRENT	FL2.5, FL3.0, FL3.5, FL5.0 FORKLIFT, BENGFENG BF5-3 (2008) SEAT	MAG1642.255			AOF ONLY. SINGLE SEAT
MAGNI	TELEHANDLER	20 - CURRENT	TELESCOPIC HANDLER, ACTIVO SEAT	MAG1569.184			AOF ONLY. SINGLE SEAT
MAGNI	TELEHANDLER	20 - CURRENT	TELESCOPIC HANDLER (SUITS RTH5.18, TH3.6) GRAMMER MSG85 / MSG285 SEAT	MAG1570.244			AOF ONLY. SINGLE SEAT
MAGNI	TELEHANDLER	20 - CURRENT	TELESCOPIC HANDLER (SUITS RTH6.26) KAB155 SEAT	MAG1571.179			AOF ONLY. SINGLE SEAT
MAGNI	TELEHANDLER	20 - CURRENT	TELESCOPIC HANDLER (SUITS RTH5.18), COBO - M98, M293 HIGH BACK REST INTERACTIVE COMFORT SEAT	MAG1572.245			AOF ONLY. SINGLE SEAT
MAGNI	TELEHANDLER	20 - CURRENT	TELESCOPIC HANDLER (SUITS TH3.6) GRAMMER PRIMO XXL MSG75 SEAT	MAG1595.174			AOF ONLY. SINGLE SEAT. ROUND ALLOWANCE ON REAR OF BACKREST

MAKE	MODEL	YEAR	SERIES & SUB MODEL	Front Pattern Number	Middle Pattern Number	Rear Pattern Number	Notes
MAHINDRA	PIKUP	08/18 - CURRENT	S6+, S10, S10+, S11 UTILITY	MAH1400.107C		MAH5324.1144	
MAHINDRA	SCORPIO	23 - CURRENT	(Z8, Z8L) 7 SEAT SUV	MAH1582.102C	MAH5417.968	MAH9184.704	

MAKE	MODEL	YEAR	SERIES & SUB MODEL	Front Pattern Number	Middle Pattern Number	Rear Pattern Number	Notes
MAZDA	121	03/87 - 11/90	(DA) ALL BADGES HATCH			CZ070.821	
MAZDA	121	11/90 - 08/97	(DB) ALL BADGES SEDAN	CZ071.101C		CZ071.813	
MAZDA	121	10/96 - 97	(DW) METRO HATCH	CZ072.101B		CZ072.857	
MAZDA	121	97 - 00	(DW) METRO HATCH	CZ072.101B		CZ073.822	
MAZDA	121	00 - 12/02	(DW) METRO HATCH	CZ072.101B		CZ075.908	
MAZDA	323	03/77 - 81	(FA) ALL BADGES 2DR HATCH			CZ001.806	
MAZDA	323	03/77 - 81	(FA) ALL BADGES 4DR HATCH			CZ103.707	REAR MOULDED HEADRESTS
MAZDA	323	07/78 - 06/79	(FA) ALL BADGES WAGON			CZ011.702	
MAZDA	323	79 - 81	(FA) ALL BADGES WAGON			CZ102.806	
MAZDA	323	10/80 - 09/87	(BD, BF) SS HATCH			CZ005.813	
MAZDA	323	03/81 - 09/85	(BD, BF) DELUXE HATCH			CF060.806	
MAZDA	323	03/81 - 09/85	(BD, BF) SUPER DELUXE HATCH			CZ004.707	
MAZDA	323	11/82 - 10/85	(BD, BF) SS SEDAN			CZ008.809	
MAZDA	323	11/82 - 08/89	(BD, BF) DELUXE SEDAN			CZ008.809	
MAZDA	323	11/82 - 08/89	(BD,BF) SUPER DELUXE SEDAN			CZ007.810	
MAZDA	323	10/85 - 10/89	(BF) DELUXE 4DR HATCH			CF201.808	
MAZDA	323	10/85 - 10/89	(BF) SHADES HATCH			CZ012.806	
MAZDA	323	10/85 - 05/89	(BF) SUPER DELUXE HATCH			CF143.821	
MAZDA	323	88 - 10/89	(BF) SERIES 2 SUPER DELUXE HATCH			CZ012.806	
MAZDA	323	10/89 - 92	(BG) ASTINA HATCH			CZ100.810	
MAZDA	323	10/89 - 08/94	(BG) SUPER DELUXE SEDAN			CF069.810	
MAZDA	323	10/89 - 08/94	(BG) ASTINA SP HATCH	CZ100.108		CZ100.810	
MAZDA	323	10/89 - 08/94	(BG) 1.6 ASTINA SEDAN			CZ104.809	
MAZDA	323	92 - 08/94	(BG) ASTINA HATCH			CZ105.847	
MAZDA	323	10/94 - 12/95	(BA) ASTINA SEDAN	CZ107.101B		CZ108.869	
MAZDA	323	07/94 - 96	(BA) PROTÉGÉ SEDAN	CF063.102B		CZ106.847	
MAZDA	323	07/94 - 09/98	(BA) ASTINA HATCH	CZ107.101B		CZ107.869	
MAZDA	323	07/94 - 09/98	(BA) NO BADGE SEDAN	CZ110.102C		CZ110.809	
MAZDA	323	01/96 - 09/98	(BA) ASTINA SEDAN	CZ109.102C		CZ108.869	
MAZDA	323	96 - 09/98	(BA) PROTÉGÉ SEDAN	CZ150.102C		CZ150.877	
MAZDA	323	09/98 - 12/03	(BJ) ASTINA HATCH	CZ151.102C		CZ151.514	
MAZDA	323	09/98 - 12/03	(BJ) PROTEGE SEDAN 1.6	CZ152.102		CZ152.877	
MAZDA	323	09/98 - 12/03	(BJ) PROTEGE SEDAN 1.8	CZ153.111		CZ152.877	
MAZDA	323	09/98 - 12/03	(BJ) PROTEGE SHADES SEDAN	CZ176.111		CZ152.877	
MAZDA	323	09/98 - 12/03	(BJ) ASTINA SHADES SP20 HATCH	CZ151.102C		CZ154.514	
MAZDA	323	02/01 - 12/03	(BJ) ASTINA SP20 HATCH	CZ176.111		CZ154.514	
MAZDA	323	02/01 - 12/03	(BJ) ASTINA SP20 HATCH	CZ151.102C		CZ154.514	
MAZDA	323	04/02 - 12/03	(BJ) PROTÉGÉ SP20 SEDAN	CZ153.111		CZ175.808	
MAZDA	323	03 - 12/03	(BJ) PROTÉGÉ SP20 SEDAN	CZ176.111		CZ152.877	
MAZDA	626	06/78 - 82	(GC) SUPER DELUXE COUPE			CZ032.809	
MAZDA	626	12/78 - 08/03	(GC) ALL BADGES SEDAN			CZ020.809	
MAZDA	626	82 - 02/83	(GC) SUPER DELUXE COUPE			CZ039.812	
MAZDA	626	02/83 - 10/87	(GC) SUPER DELUXE COUPE			CZ023.808	
MAZDA	626	02/83 - 10/87	(GC) SUPER DELUXE SEDAN			CZ024.810	
MAZDA	626	02/83 - 10/87	(GC) DELUXE HATCH			CZ028.811	
MAZDA	626	02/83 - 10/87	(GC) SE HATCH			CZ030.813	
MAZDA	626	10/87 - 12/91	(GD) SUPER DELUXE HATCH			CF085.809	
MAZDA	626	10/87 - 12/91	(GD) SUPER DELUXE TURBO HATCH			CZ025.833	
MAZDA	626	10/87 - 12/91	(GD) ECLIPSE SEDAN			CF085.809	
MAZDA	626	10/87 - 12/91	(GC, GD) SUPER DELUXE SEDAN	CZ033.108		CZ033.810	

MAKE	MODEL	YEAR	SERIES & SUB MODEL	Front Pattern Number	Middle Pattern Number	Rear Pattern Number	Notes
MAZDA	626	06/88 - 01/95	(GV) 2.2I ESTATE WAGON			CZ031.879	
MAZDA	626	01/92 - 06/97	(GE) ECLIPSE HATCH	CZ033.108		CZ025.833	
MAZDA	626	01/92 - 06/97	(GE) LUXURY, SDX HATCH	CF160.108A		CF160.856	
MAZDA	626	01/92 - 06/97	(GE) DELUXE SEDAN	CF160.108A		CF161.855	
MAZDA	626	03/95 - 09/97	(GV) ESTATE WAGON	CZ044.108		CZ044.847	
MAZDA	626	03/95 - 09/97	(GV) ESTATE WAGON	CZ130.102	CZ044.847	MAZ9130.703	
MAZDA	626	07/97 - 99	(GF) CLASSIC SEDAN	CZ131.102C		CZ131.879	
MAZDA	626	07/97 - 08/02	(GF) 40TH ANNIVERSARY, CLASSIC, LIMITED HATCH	CZ131.102C		CZ134.833	
MAZDA	626	07/97 - 08/02	(GF) CLASSIC, ECLIPSE HATCH	CZ134.107		CZ134.833	
MAZDA	626	01/98 - 06/02	(GF) CLASSIC WAGON	CZ131.102C		CZ133.885	
MAZDA	626	00 - 08/02	(GF) CLASSIC, ECLIPSE SEDAN	CZ134.107		CZ135.879	
MAZDA	929	03/82 - 06/87	(HB) LIMITED, LUXURY 2DR HARD TOP	CZ040.102		CZ040.802	
MAZDA	929	03/82 - 06/87	(HB) LIMITED SEDAN	CZ042.101B		CZ042.803	
MAZDA	929	03/82 - 06/87	(HB) DELUXE, LUXURY SEDAN	CZ043.101B		CZ043.801	
MAZDA	929	02/82 - 06/87	(LA) ALL BADGES WAGON	CZ045.101C		CZ045.807	
MAZDA	929	06/87 - 08/91	(HC) V6I HARD TOP			CZ120.803	
MAZDA	929	06/87 - 08/91	(HC) LUXURY V6I, V6I SUPER DELUXE SEDAN			CZ120.803	
MAZDA	929	07/91 - 11/97	(HD) 4WS SEDAN	CZ120.102B		CZ120.803	
MAZDA	B2000	82 - 91	BRAVO SINGLE CAB	CZ055.202			LARGE GEAR CUT OUT
MAZDA	B2200	81 - 96	BRAVO SINGLE CAB	CZ055.202			LARGE GEAR CUT OUT
MAZDA	B2200	86 - 88	BRAVO DUAL CAB	CZ062.203		CZ055.701	
MAZDA	B2200	03/88 - 11/91	BRAVO DUAL CAB	CZ055.202		CZ055.701	LARGE GEAR CUT OUT
MAZDA	B2500	02/99 - 11/06	BRAVO DX SINGLE CAB	CZ173.117			
MAZDA	B2600	87 - 10/91	BRAVO 4WD DUAL CAB	CZ055.202		CZ055.701	LARGE GEAR CUT OUT
MAZDA	B2600	87 - 02/99	BRAVO SINGLE CAB	CZ055.202			LARGE GEAR CUT OUT
MAZDA	B2600	11/91 - 04/96	BRAVO 4WD DUAL CAB	CZ068.101		CZ068.701	
MAZDA	B2600	04/96 - 02/99	BRAVO DUAL CAB	CZ068.101		CZ069.704	
MAZDA	B2600	02/99 - 12/02	(UN) BRAVO SINGLE CAB	CZ170.202			
MAZDA	B2600	02/99 - 12/02	(UN) BRAVO DUAL CAB	CZ171.102		CZ171.704	
MAZDA	B2600	01/03 - 11/06	(UN) BRAVO SINGLE CAB	CZ173.117			
MAZDA	B2600	01/03 - 11/06	(UN) BRAVO DUAL CAB	CZ174.102C		CZ204.704	
MAZDA	B4000	05 - 06	BRAVO SDX DUAL CAB	CZ174.102C		CZ174.801	
MAZDA	BT50	11/06 - 10/11	(UN) DX SINGLE CAB, BENCH SEAT	MAZ1168.117			RM1168 - G2B. ARMREST NOT COVERED
MAZDA	BT50	11/06 - 10/11	(UN) DX SINGLE CAB, BUCKET SEATS	MAZ1167.111			RM1167 - G2B, TRB, TRG. AO AVAILABLE.
MAZDA	BT50	11/06 - 10/11	(UN) SDX, DX+ FREESTYLE CAB	MAZ1167.111			RM1167 - G2B, TRB, TRG. AO AVAILABLE.
MAZDA	BT50	11/06 - 10/11	(UN) DX, SDX DUAL CAB	MAZ1167.111		MAZ5174.1005	RM1167 - G2B, TRB, TRG. RM5174 - G2B. REAR ARMREST NOT COVERED. AO AVAILABLE 1167.
MAZDA	BT50	11/11 - 07/20	(UP, UR) XT SINGLE CAB, BUCKET SEATS	MAZ1003.102C			RM - EMB, G2B, GBB, GBL, GBO, STB, STC, TRB, TRG, WEB. AOF AVAILABLE. CC02 - ANB & STC
MAZDA	BT50	11/11 - 07/20	(UP, UR) XT, XTR FREESTYLE CAB	MAZ1003.102C		MAZ5008.958	RM1003 - EMB, G2B, GBB, GBL, GBO, STB, STC, TRB, TRG, WEB. RM5008 - G2B, TRG. AOF AVAILABLE. CC02 - ANB & STC
MAZDA	BT50	11/11 - 07/20	(UP, UR) XT DUAL CAB	MAZ1003.102C		MAZ5002.982	RM1003 - EMB, G2B, GBB, GBL, GBO, STB, STC, TRB, TRG, WEB. RM5002 - G2B, TRB, TRG. AOF AVAILABLE. PFM. CC02 - ANB & STC
MAZDA	BT50	11/11 - 07/20	(UP, UR) XT SINGLE CAB, BUCKET & 3/4 BENCH SEAT	MAZ1067.401			RM - G2B, TRB, TRG. AO AVAILABLE.
MAZDA	BT50	11/11 - 08/15	(UP) GT, XTR DUAL CAB	MAZ1003.102C		MAZ5002.982	RM1003 - EMB, G2B, GBB, GBL, GBO, STB, STC, TRB, TRG, WEB. RM5002 - G2B, TRB, TRG. AOF AVAILABLE. PFM. CC02 - ANB & STC
MAZDA	BT50	09/15 - 07/20	(UR) GT, XTR DUAL CAB	MAZ1003.102C		MAZ5001.907	RM1003 - EMB, G2B, GBB, GBL, GBO, STB, STC, TRB, TRG, WEB. RM5001 - G2B, GBB, TRB, TRG, WEB. AOF AVAILABLE. PFM. CC02 - ANB & STC
MAZDA	BT50	08/20 - CURRENT	(B30, TF) GT, SP, THUNDER, XTR DUAL CAB	MAZ1224.159		MAZ5210.1044	RM1224 - EMB, G2B, GBB, GBL, GBR, RCB, STB, STC, TRB, TRG, WEB. RM5210 - G2B, GBB, GBR, STC, TRB, TRG, WEB. AOF AVAILABLE. PFM. CC03 - ANB & STC
MAZDA	BT50	08/20 - CURRENT	(B19, B30, TF) XS, XT DUAL CAB	MAZ1224.159		MAZ5211.1048	RM1224 - EMB, G2B, GBB, GBL, GBR, RCB, STB, STC, TRB, TRG, WEB. RM5211 - GBB, TRB, TRG. AOF AVAILABLE. PFM. CC03 - ANB & STC
MAZDA	BT50	08/20 - CURRENT	(B19, B30, TF) XS, XT SINGLE CAB	MAZ1225.110		N/A	RM1225 - GBB, STB, TRB, TRG. AOF AVAILABLE. CC03 - ANB & STC
MAZDA	BT50	08/20 - CURRENT	(B30, TF) XT FREESTYLE CAB	MAZ1224.159		N/A	RM1224 - EMB, G2B, GBB, GBL, GBR, RCB, STB, STC, TRB, TRG, WEB. AOF AVAILABLE.

MAKE	MODEL	YEAR	SERIES & SUB MODEL	Front Pattern Number	Middle Pattern Number	Rear Pattern Number	Notes
MAZDA	CX-3	03/15 - 08/18	(DK) AKARI, MAXX, NEO, S TOURING SUV	MAZ1006.102C		MAZ5037.1015	RM1006 - EMB, G2B, GBB, WEB. RM5037 - EMB, G2B, WEB
MAZDA	CX-3	08/18 - 01/23	(DK) NEO SPORT SUV	MAZ1006.102C		MAZ5037.1015	RM1006 - EMB, G2B, GBB, WEB. RM5037 - EMB, G2B, WEB
MAZDA	CX-3	08/18 - 01/23	(DK) AKARI, AKARI LE, MAXX SPORT, S TOURING SUV	MAZ1006.102C		MAZ5099.995	RM1006 - EMB, G2B, GBB, WEB. RM5099 - G2B, WEB
MAZDA	CX-3	07/23 - CURRENT	(DK) G20 SPORT SUV	MAZ1544.102C		MAZ5037.1015	RM5037 - EMB, G2B, WEB
MAZDA	CX-3	07/23 - CURRENT	(DK) G20 AKARI, G20 EVOLVE, G20 PURE, G20 TOURING SP SUV	MAZ1544.102C		MAZ5099.995	RM5099 - G2B, WEB
MAZDA	CX-5	02/12 - 03/17	(KE) AKERA, GRAND TOURING, MAXX SPORT SUV	MAZ1041.102C		MAZ5255.980	RM1041 - G2B, GBB, WEB. RM5255 - GBB. PFM
MAZDA	CX-5	02/12 - 03/17	(KE) MAXX SUV	MAZ1041.102C		MAZ5035.1015	RM1041 - G2B, GBB, WEB. RM5035 - G2B, WEB. PFM
MAZDA	CX-5	03/17 - 11/23	(KF) AKERA, GT, MAXX SPORT, TOURING SUV	MAZ1075.102C		MAZ5071.1064	RM1075 - G2B, GBB, GBR, EMB, WEB. RM5071 - G2B, GBB, EMB, WEB. ARMREST NOT COVERED
MAZDA	CX-5	03/17 - 11/23	(KF) MAXX SUV	MAZ1075.102C		MAZ5316.1129	RM1075 - G2B, GBB, GBR, EMB, WEB. RM5316 - GBB.
MAZDA	CX-5	11/23 - CURRENT	(KF) G25 - AKERA, GT SP, MAXX SPORT & TOURING SUV G35 - AKERA & GT SP TURBO SUV	MAZ1603.102C		MAZ5435.1064	REAR ARMREST NOT COVERED
MAZDA	CX-5	11/23 - CURRENT	(KF) G20 MAXX SUV	MAZ1616.102C		MAZ5438.1129	
MAZDA	CX-7	11/06 - 01/12	(ER) ALL BADGES SUV	CZ221.111		CZ221.924	
MAZDA	CX-8	06/18 - CURRENT	(KG) ASAKI, SPORT, TOURING SUV	MAZ1172.111	MAZ5155.1001	MAZ9020.821	RM1172 - G2B, GBB, WEB & RM5155 - EMB, G2B, GBB, WEB. RM9020 - GBB
MAZDA	CX-9	12/07 - 06/11	(TB) CLASSIC, GRAND TOURING, LUXURY SUV	CZ225.111	CZ225.1001	MAZ9131.521	UNABLE TO COVER MIDDLE ROW ARMREST
MAZDA	CX-9	06/11 - 07/16	(TB) CLASSIC, GRAND TOURING, LUXURY SUV	CZ225.111	CZ225.1001	MAZ9015.521	3RD ROW HEADREST NOT REMOVABLE, UNABLE TO COVER MIDDLE ROW ARMREST
MAZDA	CX-9	07/16 - 18	(TC) SPORT SUV	MAZ1172.111	CZ247.1001	MAZ9132.821	RM1172 - G2B, GBB, WEB
MAZDA	CX-9	18 - 19	(TC) SPORT SUV	MAZ1172.111	CZ256.1001	MAZ9132.821	RM1172 - G2B, GBB, WEB. NO CONSOLE IN MIDDLE ROW ARM REST
MAZDA	CX-9	18 - CURRENT	(TC) AZAMI, GT, TOURING SUV	MAZ1172.111	MAZ5155.1001	MAZ9020.821	RM1172 - G2B, GBB, WEB & RM5155 - EMB, G2B, GBB, WEB. RM9020 - GBB. CONSOLE IN MIDDLE ROW ARM REST
MAZDA	CX-9	19 - CURRENT	(TC) SPORT SUV	MAZ1172.111	MAZ5344.1001	MAZ9020.821	RM1172 - G2B, GBB, WEB. RM9020 - GBB
MAZDA	CX-30	11/19 - CURRENT	(DM) G20 - ASTINA, EVOLVE, TOURING SUV	MAZ1137.121		MAZ5134.995	RM1137 - GBB, GBR. RM5134 - GBB
MAZDA	CX-30	11/19 - CURRENT	(DM) G20 - GSX, G20 PURE SUV	MAZ1137.121		MAZ5160.1015	RM1137 - GBB, GBR. RM5160 - GBB
MAZDA	CX-30	11/19 - CURRENT	(DM) G25 - ASTINA, GT SP, GTX (NZ), LTD (NZ), TOURING SUV	MAZ1137.121		MAZ5134.995	RM1137 - GBB, GBR. RM5134 - GBB
MAZDA	CX-60	01/23 - CURRENT	(C60, KH) D50E MHEV, G40E MHEV, P50E PHEV SUV	MAZ1460.111		MAZ5367.1064	
MAZDA	CX-80	07/24 - CURRENT	(C80, KL) D50E MHEV, G40E MHEV (EXCLUDES PURE), P50E PHEV 7 SEAT SUV	MAZ1460.111	MAZ5399.1157	MAZ9100.821	
MAZDA	CX-80	07/24 - CURRENT	(C80, KL) D50E, G40E (EXCLUDES PURE) 6 SEAT SUV	MAZ1460.111	NPR	MAZ9100.821	
MAZDA	CX-80	07/24 - CURRENT	(C80, KL) G40E PURE 7 SEAT SUV	MAZ1609.102C	MAZ5399.1157	MAZ9100.821	
MAZDA	CX-90	04/23 - CURRENT	(C90, KK) D50E, G50E 7 SEAT SUV	MAZ1460.111	MAZ5399.1157	MAZ9100.821	2ND ROW HAS AIRBAGS
MAZDA	CX-90	04/23 - CURRENT	(C90, KK) D50E, G50E 6 SEAT SUV	MAZ1460.111	NPR	MAZ9100.821	
MAZDA	DEMIO	08/02 - 08/07	(DY) ALL BADGES HATCH	CZ231.102C		CZ231.908	
MAZDA	DEMIO	07/07 - 09/14	(DE) ALL BADGES HATCH	MAZ1173.102C		CZ233.1015	RM1173 - G2B
MAZDA	DEMIO	14 - 18	(DJ) ALL BADGES HATCH	MAZ1173.102C		MAZ5091.1015	RM1173 - G2B
MAZDA	DEMIO	18 - 07/19	(DJ) ALL BADGES HATCH	MAZ1094.101C		MAZ5091.1015	
MAZDA	E1600	05/78 - 83	VAN	CZ067.302	CF100.504	MAZ9095.704	
MAZDA	E1800	02/84 - 01/88	VAN	CZ057.301		CZ057.702	
MAZDA	E1800	02 - 08	VAN	CZ165.301		CZ165.701	
MAZDA	E2000	02/84 - 01/99	LWB VAN	CZ161.301			
MAZDA	E2000	10/99 - 07/06	VAN	CZ165.301			
MAZDA	E2000	10/99 - 07/06	VAN	CZ168.304			
MAZDA	E2000	10/99 - 07/06	VAN	CZ169.302			
MAZDA	E2000	00 - 01	SINGLE CAB	CZ164.304			
MAZDA	E2200	02/84 - 08/97	15 SEAT LWB VAN (5 ROWS)	CZ074.302	CZ074.501	MAZ9134.501	
MAZDA	E2500	08/97 - 10/99	VAN	CZ160.402			
MAZDA	E2500	08/97 - 10/99	SINGLE CAB	CZ162.303			
MAZDA	E2500	10/99 - 05/03	SINGLE CAB	CZ164.304			
MAZDA	MAZDA2	12/02 - 08/07	(DY) ALL BADGES HATCH	CZ231.102C		CZ231.908	
MAZDA	MAZDA2	09/07 - 10/14	(DE) ALL BADGES HATCH	MAZ1173.102C		CZ233.1015	RM1173 - G2B
MAZDA	MAZDA2	08/14 - 18	(DJ) ALL BADGES HATCH	MAZ1173.102C		MAZ5091.1015	RM1173 - G2B
MAZDA	MAZDA2	08/15 - 17	(DL) MAXX, NEO SEDAN	MAZ1173.102C		CZ245.1015	RM1173 - G2B
MAZDA	MAZDA2	18 - 08/19	(DL) MAXX, NEO SEDAN	MAZ1094.101C		CZ245.1015	

MAKE	MODEL	YEAR	SERIES & SUB MODEL	Front Pattern Number	Middle Pattern Number	Rear Pattern Number	Notes
MAZDA	MAZDA2	18 - CURRENT	(DJ) ALL BADGES HATCH	MAZ1094.101C		MAZ5091.1015	
MAZDA	MAZDA3	10/03 - 05/06	(BK) SERIES 1 ALL BADGES HATCH, SEDAN	CZ167.102C		CZ167.924	
MAZDA	MAZDA3	05/06 - 03/09	(BK) SERIES 2 ALL BADGES HATCH, SEDAN	CZ191.102C		CZ167.924	
MAZDA	MAZDA3	04/09 - 01/14	(BL) MAXX, MAXX SPORT, MPS, SP20, SP25 SEDAN	CZ192.111		CZ192.924	
MAZDA	MAZDA3	04/09 - 01/14	(BL) NEO HATCH	CZ193.102C		CZ193.995	
MAZDA	MAZDA3	04/09 - 01/14	(BL) MAXX, MAXX SPORT, MPS, SP20, SP25 HATCH	CZ192.111		CZ193.995	
MAZDA	MAZDA3	04/09 - 01/14	(BL) NEO SEDAN	CZ193.102C		CZ192.924	
MAZDA	MAZDA3	01/14 - 02/19	(BM, BN) SP25, SP25 ASTINA, SP25GT, XD HATCH	MAZ1076.102C		MAZ5079.995	RM - G2B, EMB, WEB. PFM
MAZDA	MAZDA3	01/14 - 02/19	(BM, BN) NEO, NEO SPORT HATCH	MAZ1006.102C		MAZ5072.1015	RM1006 - EMB, G2B, GBB, WEB. RM5072 - EMB, G2B, WEB. PFM
MAZDA	MAZDA3	01/14 - 02/19	(BM, BN) MAXX, MAXX SPORT, TOURING HATCH	MAZ1006.102C		MAZ5079.995	RM1006 - EMB, G2B, GBB, WEB. RM5079 - EMB, G2B, WEB. PFM
MAZDA	MAZDA3	01/14 - 02/19	(BM, BN) MAXX, MAXX SPORT, TOURING SEDAN	MAZ1006.102C		MAZ5036.995	RM1006 - EMB, G2B, GBB, WEB. RM5036 - G2B, WEB. PFM
MAZDA	MAZDA3	01/14 - 02/19	(BM, BN) SP25, SP25 ASTINA, SP25GT SEDAN	MAZ1076.102C		MAZ5036.995	RM1076 - G2B, EMB, WEB, RM5036 - G2B, WEB. PFM
MAZDA	MAZDA3	01/14 - 02/19	(BM, BN) NEO, NEO SPORT SEDAN	MAZ1006.102C		CZ255.1015	RM1006 - EMB, G2B, GBB, WEB. PFM
MAZDA	MAZDA3	02/19 - CURRENT	(BP) G20 EVOLVE, G20 TOURING SEDAN	MAZ1137.121		MAZ5135.995	RM1137 - GBB, GBR
MAZDA	MAZDA3	02/19 - CURRENT	(BP) G25 ASTINA, G25 EVOLVE, G25 GT SEDAN	MAZ1137.121		MAZ5135.995	RM1137 - GBB, GBR
MAZDA	MAZDA3	02/19 - CURRENT	(BP) G20 EVOLVE, G20 TOURING HATCH	MAZ1137.121		MAZ5134.995	RM1137 - GBB, GBR. RM5134 - GBB
MAZDA	MAZDA3	02/19 - CURRENT	(BP) G25 ASTINA, G25 EVOLVE, G25 GT HATCH	MAZ1137.121		MAZ5134.995	RM1137 - GBB, GBR. RM5134 - GBB
MAZDA	MAZDA3	02/19 - CURRENT	(BP) G20 PURE HATCH	MAZ1137.121		MAZ5160.1015	RM1137 - GBB, GBR. RM5160 - GBB
MAZDA	MAZDA3	02/19 - CURRENT	(BP) G20 PURE SEDAN	MAZ1137.121		MAZ5208.1015	RM1137 - GBB, GBR
MAZDA	MAZDA6	08/02 - 05	(GG) SERIES 1 CLASSIC SEDAN	CZ136.102C		CZ137.950	
MAZDA	MAZDA6	08/02 - 05	(GG) SERIES 1 CLASSIC HATCH	CZ136.102C		CZ138.912	
MAZDA	MAZDA6	08/02 - 04/07	(GY) CLASSIC WAGON	CZ136.102C		CZ138.912	
MAZDA	MAZDA6	08/02 - 01/08	(GG) LUXURY SEDAN	CZ136.102C		CZ137.950	
MAZDA	MAZDA6	08/02 - 01/08	(GG) LIMITED SEDAN	CZ136.102C		CZ136.924	
MAZDA	MAZDA6	05 - 01/08	(GG) SERIES 2 CLASSIC HATCH	CZ196.102C		CZ138.912	
MAZDA	MAZDA6	10/05 - 01/08	(GG) MPS SEDAN	CZ199.121		CZ137.950	
MAZDA	MAZDA6	06 - 01/08	(GG) SERIES 2 CLASSIC SEDAN	CZ196.102C		CZ137.950	
MAZDA	MAZDA6	10/06 - 01/08	(GY) DIESEL WAGON	CZ196.102C		CZ138.912	
MAZDA	MAZDA6	02/08 - 10	(GH) SERIES 1 CLASSIC HATCH	CZ200.102C		CZ200.987	
MAZDA	MAZDA6	02/08 - 11/12	(GH) CLASSIC SEDAN	CZ201.102C		CZ201.1014	
MAZDA	MAZDA6	02/08 - 11/12	(GH) CLASSIC, DIESEL WAGON	CZ201.102C		CZ202.987	REAR ARMREST NOT COVERED
MAZDA	MAZDA6	10 - 11/12	(GH) SERIES 2 CLASSIC HATCH	CZ201.102C		CZ200.987	
MAZDA	MAZDA6	12/12 - 09/16	(GJ) ATENZA, GT, TOURING WAGON	MAZ1218.102C		MAZ5204.1024	
MAZDA	MAZDA6	12/12 - 09/16	(GJ) ATENZA, GT, TOURING SEDAN	MAZ1218.102C		NPR	
MAZDA	MAZDA6	12/12 - 09/16	(GJ) SPORT WAGON	MAZ1219.102C		MAZ5204.1024	
MAZDA	MAZDA6	12/12 - 09/16	(GJ) SPORT SEDAN	MAZ1219.102C		NPR	
MAZDA	MAZDA6	09/16 - 01/23	(GL) SPORT SEDAN	MAZ1250.102C		CZ248.1014	
MAZDA	MAZDA6	09/16 - 01/23	(GL) SPORT WAGON	MAZ1250.102C		CZ249.1024	
MAZDA	MAZDA6	09/16 - 01/23	(GL) ATENZA, GT, TOURING WAGON	CZ248.102C		CZ249.1024	
MAZDA	MAZDA6	09/16 - 01/23	(GL) ATENZA, GT, TOURING SEDAN	CZ248.102C		CZ248.1014	
MAZDA	MAZDA6	01/23 - CURRENT	(GL) G25 SPORT SEDAN	MAZ1250.102C		CZ248.1014	
MAZDA	MAZDA6	01/23 - CURRENT	(GL) G25 SPORT WAGON	MAZ1250.102C		CZ249.1024	
MAZDA	MAZDA6	01/23 - CURRENT	(GL) G25 TOURING, G35 ATENZA, G35 GT WAGON	CZ248.102C		CZ249.1024	
MAZDA	MAZDA6	01/23 - CURRENT	(GL) G25 TOURING, G35 ATENZA, G35 GT SEDAN	CZ248.102C		CZ248.1014	
MAZDA	MPV	10/93 - 96	(LV) PEOPLE MOVER	CZ077.114	CZ077.713	MAZ9135.704	
MAZDA	MPV	96 - 09/99	(LV) PEOPLE MOVER	CZ078.107	CZ078.204	MAZ9135.704	
MAZDA	MPV	08/99 - 04	(LW) PEOPLE MOVER	CZ079.107A	CZ079.522	MAZ9136.918	
MAZDA	MPV	05 - 09/06	(LW) PEOPLE MOVER	CZ080.107A	CZ080.522	MAZ9137.918	
MAZDA	MX-30	01/21 - CURRENT	(DR) G20E-MHEV - ASTINA, EVOLVE & TOURING SUV	MAZ1424.105		MAZ5338.1080	
MAZDA	MX-30	04/21 - CURRENT	(DR) E35 ASTINA SUV	MAZ1424.105		MAZ5338.1080	

MAKE	MODEL	YEAR	SERIES & SUB MODEL	Front Pattern Number	Middle Pattern Number	Rear Pattern Number	Notes
MAZDA	MX5	03/98 - 11/02	(NB) SPORTS ROADSTER	CZ180.110			
MAZDA	MX5	12/02 - 08/05	(NB) SPORTS ROADSTER	CZ181.110			
MAZDA	MX5	09/05 - 01/15	(NC) COUPE SPORTS ROADSTER	CZ216.110			
MAZDA	MX5	08/15 - CURRENT	(ND) ALL BADGES ROADSTER	MAZ1122.140			
MAZDA	MX6	10/87 - 08/94	(GD, GE) 2DR COUPE	CZ049.108A		CZ049.808	
MAZDA	PREMACY	02/01 - 06/03	(CP) ALL BADGES WAGON	CZ145.107A		CZ145.917	
MAZDA	RX-8	07/03 - 07/12	(FE) ALL BADGES COUPE	CZ229.140			REAR NOT COVERED DUE TO CONSOLE THAT RUNS IN THE MIDDLE OF SEAT
MAZDA	TRIBUTE	02/01 - 01/04	(CU, YU) CLASSIC SUV	CZ125.101C		CZ125.899	
MAZDA	TRIBUTE	02/04 - 06/06	(CU, YU) CLASSIC SUV	CZ126.101C		CZ125.899	
MAZDA	TRIBUTE	07/06 - 01/08	(SZ, 8Z) ALL BADGES SUV	CF246.101C		CF246.912	

MAKE	MODEL	YEAR	SERIES & SUB MODEL	Front Pattern Number	Middle Pattern Number	Rear Pattern Number	Notes
MERCEDES	280	72 - 76	(W114) SEDAN			ME005.805	
MERCEDES	A160	10/98 - 04/05	(W168) 4DR HATCH	ME006.101A		ME006.943	REAR HEADREST NOT COVERED
MERCEDES	A170	05/05 - 06/10	(W169) 4DR HATCH	ME011.102C			
MERCEDES	A200	01/16 - 05/19	(W176, W177) A200, A200D HATCH	MER1108.146		N/A	FRONT DOES NOT ALLOW FOR HOLLOW IN HEADREST & LEG EXTENSION ON BASE. REAR N/A
MERCEDES	ACTROS	01/20 - CURRENT	(963) 2641, 2643, 2651, 2653, 2658 & 2663 TRUCK	MER1477.226			A/O ONLY. GRAMMER MP4 25S1 SEATS
MERCEDES	ACTROS	01/20 - CURRENT	(963) 2641, 2643, 2651, 2653, 2658 & 2663 TRUCK	MER1542.238			A/O ONLY. GRAMMER MP4 25S1 DRIVER SIDE & FOLDING ISRI PASSENGER SIDE
MERCEDES	ATEGO	20 - CURRENT	(967) ALL BADGES TRUCK	MER1567.189		MER5419.1160	A/O ONLY. DRIVER & PASSENGER ISRI 6860-876 WITH UNIVERSAL ARMREST ALLOWANCES. ARMRESTS NOT COVERED. REAR SEAT ARE TWO FOLDABLE ISRI DOUBLE.
MERCEDES	B180	05/06 - 03/12	(W245) 4DR HATCH	ME015.102C		ME015.972	REAR ARMREST NOT COVERED
MERCEDES	B180	04/12 - 02/19	(W246) 4DR HATCH	MER1145.102C		MER5202.1015	
MERCEDES	B180	03/19 - CURRENT	(W247) 4DR HATCH	MER1315.102C		MER5266.1129	
MERCEDES	B200	04/12 - 02/19	(W246) 4DR HATCH	MER1145.102C		MER5143.924	
MERCEDES	C200	07/07 - 07/14	(W204) ALL BADGES SEDAN	MER1114.102C		ME014.903	REAR ARMREST NOT COVERED
MERCEDES	C200	05/08 - 08/14	(S204) ALL BADGES WAGON	MER1114.102C			
MERCEDES	C200	08/14 - 06/18	(W205) SEDAN	ME026.102C		N/A	
MERCEDES	ECONIC	24 - CURRENT	GARBAGE TRUCK	MER1522.236			A/O ONLY. DRIVER IS ISRI 6860-876 WITH UNIVERSAL ARMREST ALLOWANCES. ARMRESTS NOT COVERED.
MERCEDES	GLB35	02/20 - CURRENT	(X247) SUV	MER1627.102C	MER5452.1036	MER9187.931	
MERCEDES	GLB200	08/19 - CURRENT	(X247) SUV	MER1627.102C	MER5452.1036	MER9187.931	
MERCEDES	GLB250	08/19 - CURRENT	(X247) SUV	MER1627.102C	MER5452.1036	MER9187.931	
MERCEDES	GLE250D	10/15 - 05/19	(W166) SUV	ME028.102C		ME028.1022	REAR SIDE AIRBAGS
MERCEDES	GLE300D	05/19 - 12/19	(V167) 4MATIC SUV	MER1310.102C		MER5259.1036	
MERCEDES	ML250	04/12 - 09/15	(W166) SUV	ME028.102C		ME028.1022	REAR SIDE AIRBAGS
MERCEDES	ML320	09/98 - 04/03	(W163) LUXURY SUV	ME004.102C		ME004.912	
MERCEDES	SPRINTER	02/98 - 10/06	(200, 300 & 400 SERIES) LWB VAN	ME002.407			
MERCEDES	SPRINTER	10/06 - 01/10	(315CDI) VAN	ME013.212			
MERCEDES	SPRINTER	10/06 - 01/10	(315CDI) VAN	ME022.102C			
MERCEDES	SPRINTER	10/06 - 01/10	(515CDI) DUAL CAB	ME017.102C		ME017.1034	
MERCEDES	SPRINTER	02/08 - 01/10	(415CDI) VAN	ME016.102C			
MERCEDES	SPRINTER	02/10 - 09/18	(300, 400, 500CDI SERIES) VAN	MER1150.407			
MERCEDES	SPRINTER	02/10 - 09/18	(316, 414) TRANSFER BUS	MER1247.161	MER5226.1115 MER5227.1116	MER9032.1117	4 ROWS
MERCEDES	SPRINTER	02/10 - 09/18	(300, 400, 500CDI) VAN	ME013.212		MER5220.717	
MERCEDES	SPRINTER	02/10 - 09/18	(313, 316) VAN	MER1374.107C			
MERCEDES	SPRINTER	16 - 09/18	(313CDI) MWB, LWB VAN	ME022.102C			
MERCEDES	SPRINTER	02/18 - CURRENT	V530 DUAL CAB, VAN	MER1083.102C		MER5451.1058	1083 A/O AVAILABLE
MERCEDES	SPRINTER	02/18 - CURRENT	V530 DUAL CAB, VAN	MER1243.107C		MER5451.1058	FRONT SUITS SWIVEL SEAT
MERCEDES	SPRINTER	02/18 - CURRENT	V530 VAN	MER1465.407			
MERCEDES	SPRINTER	01/20 - CURRENT	V530 DUAL CAB, VAN	MER1349.176		MER5451.1058	
MERCEDES	SPRINTER	01/22 - CURRENT	V530 12 SEATER VAN	MER1349.176	MER5326.1145 MER5327.1146	MER9044.1147	ROW 1 - 176, Row 2 - 1145, Row 3 - 1146, Row 4 - 1147
MERCEDES	SPRINTER	01/20 - CURRENT	V530 DUAL CAB, VAN	MER1626.133		MER5451.1058	SEAT EXTENSION ON DRIVER NOT ALLOWED FOR A/O ONLY. FRONT ROW ISRI 6860/870 CUSTOM AND REAR IS AN ISRI CUSTOM
MERCEDES	UNIMOG	20 - CURRENT	(437) U5023 TRUCK	MER1579.162		MER5414.1058	
MERCEDES	V CLASS	07/15 - CURRENT	(447) 8 SEAT WAGON	ME023.107C	MER5152.1049	MER9019.1050	
MERCEDES	V CLASS	07/15 - CURRENT	(447) 7 SEAT WAGON	ME023.107C	MER5212.408	MER9019.1050	
MERCEDES	VALENTE	07/15 - CURRENT	(447) 116 5 SEAT WAGON	ME023.107C		MER5152.1049	
MERCEDES	VALENTE	07/15 - CURRENT	(447) 116 8 SEAT WAGON	ME023.107C	MER5152.1049	MER9019.1050	
MERCEDES	VITO	02/98 - 03/04	(638) 113 VAN	ME007.407			
MERCEDES	VITO	04/04 - 01/11	(639) 109, 111, 115, 119, 120 VAN	ME009.102C		ME009.957	
MERCEDES	VITO	04/04 - 01/11	(639) 109, 111, 115, 119, 120 VAN	ME012.407			
MERCEDES	VITO	02/11 - 06/15	(639) 110, 113, 116, 122 VAN	ME018.102C			
MERCEDES	VITO	07/15 - 10/20	(447) 111, 114, 116, 119 VAN	ME027.107			A/O ONLY

MAKE	MODEL	YEAR	SERIES & SUB MODEL	Front Pattern Number	Middle Pattern Number	Rear Pattern Number	Notes
MERCEDES	VITO	07/15 - 10/20	(447) 111, 114, 116, 119 VAN	ME024.407			
MERCEDES	VITO	07/15 - 10/20	(447) 111, 114, 116, 119 VAN	MER1251.102C			
MERCEDES	VITO	01/20 - 03/22	(447) BLUETEC 114, 116, 119 VAN	MER1364.107C			
MERCEDES	VITO	01/20 - 03/22	(447) BLUETEC 116, 119 VAN	MER1368.107C			EXTENDABLE SEAT BASE DESIGN
MERCEDES	VITO	01/20 - CURRENT	(447) VS20 - 111, 114, 116, 119 VAN	MER1527.409			
MERCEDES	VITO	01/20 - CURRENT	(447) VS20 - 111, 114, 116, 119 VAN	MER1368.107C			EXTENDABLE SEAT BASE DESIGN
MERCEDES	VITO	03/22 - CURRENT	(447) VS20 - 114, 116, 119 VAN	MER1633.133			
MERCEDES	X CLASS	12/17 - CURRENT	(470) ALL BADGES DUAL CAB	ME029.102C		ME029.998	

MAKE	MODEL	YEAR	SERIES & SUB MODEL	Front Pattern Number	Middle Pattern Number	Rear Pattern Number	Notes
MERLO	TELEHANDLER	21 - CURRENT	ALL MODELS, TELEHANDLER	MRL1523.187			A/O ONLY

MAKE	MODEL	YEAR	SERIES & SUB MODEL	Front Pattern Number	Middle Pattern Number	Rear Pattern Number	Notes
MG	GS	01/17 - 01/20	(SAS2) CORE, ESSENCE X, EXCITE SUV	MGM1102.102C		MGM5158.900	RM1102 - G2B, GBB, GBR, WEB.
MG	HS	10/19 - 03/24	(SAS23) ESSENCE SUV	MGM1318.140		MGM5270.924	RM5270 - GBR. REAR ARM REST NOT COVERED
MG	HS	10/19 - 03/24	(SAS23) CORE, EXCITE, VIBE SUV	MGM1379.102C		MGM5270.924	RM - GBR. REAR ARM REST NOT COVERED
MG	HS	04/24 - CURRENT	(AS33 - PETROL) ESSENCE, EXCITE, VIBE SUV	MGM1664.102		MGM5482.1080	
MG	HS	06/25 - CURRENT	(AS33H - HYBRID +) ESSENCE, EXCITE SUV	MGM1664.102		MGM5482.1080	
MG	HS	06/25 - CURRENT	(AS33P - SUPER HYBRID) ESSENCE, EXCITE SUV	MGM1664.102		MGM5482.1080	
MG	MG3	08/18 - 03/24	ALL BADGES HATCH	MGM1152.102C		MGM5149.1031	RM1152 - G2B
MG	MG3	04/24 - CURRENT	(MY24.5 ONWARDS) ALL BADGES HATCH	MGM1540.102C		MGM5392.1051	
MG	MG4	06/23 - CURRENT	(MEH32) EXCITE HATCH	MGM1552.121C		MGM5363.1123	RM5363 - WEB
MG	MG4	06/23 - CURRENT	(MEH32) ESSENCE, LONG RANGE, X POWER HATCH	MGM1454.121C		MGM5363.1123	RM1454 - GBB. RM5363 - WEB
MG	MG55	03/25 - CURRENT	(ZS3EM) EV ESSENCE SUV	MGM1634.102C		MGM5467.1165	
MG	MG55	03/25 - CURRENT	(ZS3EM) EV EXCITE SUV	MGM1635.102C		MGM5468.1123	
MG	U9	09/25 - CURRENT	EXPLORE, EXPLORE-X DUAL CAB	MGM1599.102C		MGM5431.888	AOF AVAILABLE
MG	U9	09/25 - CURRENT	EXPLORE PRO DUAL CAB	MGM1599.102C		MGM5426.1120	AOF AVAILABLE
MG	ZS	11/17 - 05/22	(AZS1) ALL BADGES SUV	MGM1102.102C		MGM5100.510	RM1102 - G2B, GBB, GBR. RM5100 - GBB, GBR.
MG	ZS	06/22 - 12/24	(AZS1) PETROL - MY22, MY23, MY24 ALL BADGES SUV	MGM1102.102C		MGM5335.510	RM1102 - G2B, GBB, GBR.
MG	ZS	09/24 - CURRENT	(ZS32) HYBRID+ ESSENCE, HYBRID + EXCITE, ESSENCE TURBO SUV	MGM1573.102C		MGM5409.1123	
MG	ZST	06/20 - CURRENT	(AZS1) ALL BADGES SUV	MGM1102.102C		MGM5100.510	RM1102 - G2B, GBB, GBR. RM5100 - GBB, GBR.

MAKE	MODEL	YEAR	SERIES & SUB MODEL	Front Pattern Number	Middle Pattern Number	Rear Pattern Number	Notes
MINI	COOPER	03/07 - 09/10	(R56) 2DR HATCH	CE002.102C		CE001.976	
MINI	COOPER	04/14 - 06/20	(F55) ALL BADGES 4DR HATCH	CE003.102C		CE003.966	NO LUMBAR ALLOWANCE ON INSIDE OF FRONT SEATS
MINI	COOPER	04/14 - 06/20	(F55) ALL BADGES 4DR HATCH	MIN1196.102C		CE003.966	ROUND ALLOWANCE ON INSIDE OF FRONT SEATS
MINI	COOPER	04/14 - 06/20	(F56) ALL BADGES 2DR HATCH	MIN1195.102C		MIN5142.1010	ROUND ALLOWANCE ON INSIDE OF FRONT SEATS
MINI	COOPER	04/14 - 06/20	(F56) ALL BADGES 2DR HATCH	MIN1141.102C		MIN5142.1010	NO LUMBAR ALLOWANCE ON INSIDE OF FRONT SEATS
MINI	COOPER	11/15 - 06/20	(F57) ALL BADGES 2DR CONVERTIBLE	MIN1141.102C		MIN5140.976	NO LUMBAR ALLOWANCE ON INSIDE OF FRONT SEATS
MINI	COOPER	11/15 - 06/20	(F57) ALL BADGES 2DR CONVERTIBLE	MIN1195.102C		MIN5140.976	ROUND ALLOWANCE ON INSIDE OF FRONT SEATS
MINI	COOPER D	03/07 - 09/10	(R56) 2DR HATCH	CE002.102C		CE001.976	
MINI	COOPER D	11/14 - 05/18	(F55) ALL BADGES 4DR HATCH	MIN1196.102C		CE003.966	ROUND ALLOWANCE ON INSIDE OF FRONT SEATS
MINI	COOPER D	11/14 - 05/18	(F55) ALL BADGES 4DR HATCH	CE003.102C		CE003.966	NO LUMBAR ALLOWANCE ON INSIDE OF FRONT SEATS
MINI	COOPER D	11/14 - 04/18	(F56) ALL BADGES 2DR HATCH	MIN1195.102C		MIN5142.1010	ROUND ALLOWANCE ON INSIDE OF FRONT SEATS
MINI	COOPER D	11/14 - 04/18	(F56) ALL BADGES 2DR HATCH	MIN1141.102C		MIN5142.1010	NO LUMBAR ALLOWANCE ON INSIDE OF FRONT SEATS
MINI	COOPER RAY	04/11 - 03/14	(R56) 2DR HATCH	MIN1248.102C		MIN5228.976	NO LUMBAR ALLOWANCE ON INSIDE OF FRONT SEATS
MINI	COOPER S	05/02 - 02/07	(R53) ALL BADGES 2DR HATCH	CE001.102C		CE001.976	
MINI	COOPER S	04/14 - 03/24	(F55) ALL BADGES 4DR HATCH	CE003.102C		CE003.966	NO LUMBAR ALLOWANCE ON INSIDE OF FRONT SEATS
MINI	COOPER S	04/14 - 03/24	(F55) ALL BADGES 4DR HATCH	MIN1196.102C		CE003.966	ROUND ALLOWANCE ON INSIDE OF FRONT SEATS
MINI	COOPER S	04/14 - 03/21	(F56) ALL BADGES 2DR HATCH, EXCLUDES JCW	MIN1195.102C		MIN5142.1010	ROUND ALLOWANCE ON INSIDE OF FRONT SEATS
MINI	COOPER S	04/14 - 03/21	(F56) ALL BADGES 2DR HATCH, EXCLUDES JCW	MIN1141.102C		MIN5142.1010	NO LUMBAR ALLOWANCE ON INSIDE OF FRONT SEATS
MINI	COOPER S	11/15 - 03/24	(F54) CLUBMAN 4DR WAGON	MIN1222.102C		MIN5206.1021	ROUND ALLOWANCE ON INSIDE OF FRONT SEATS
MINI	COOPER S	11/15 - 03/23	(F57) ALL BADGES 2DR CONVERTIBLE, EXCLUDES JCW	MIN1195.102C		MIN5140.976	ROUND ALLOWANCE ON INSIDE OF FRONT SEATS
MINI	COOPER S	11/15 - 03/23	(F57) ALL BADGES 2DR CONVERTIBLE, EXCLUDES JCW	MIN1141.102C		MIN5140.976	NO LUMBAR ALLOWANCE ON INSIDE OF FRONT SEATS
MINI	COOPER SE	03/20 - 03/24	(F56) ELECTRIC 2DR HATCH	MIN1195.102C		MIN5142.1010	ROUND ALLOWANCE ON INSIDE OF FRONT SEATS
MINI	COOPER SE	03/20 - 03/24	(F56) ELECTRIC 2DR HATCH	MIN1141.102C		MIN5142.1010	NO LUMBAR ALLOWANCE ON INSIDE OF FRONT SEATS
MINI	COUNTRYMAN	02/17 - 06/20	(F60) COOPER D, COOPER S, COOPER SD 4DR WAGON	MIN1193.102C		MIN5189.1086	NO LUMBAR ALLOWANCE ON INSIDE OF FRONT SEATS
MINI	COUNTRYMAN	02/17 - 06/20	(F60) COOPER 4DR WAGON	MIN1193.102C		MIN5229.1060	NO LUMBAR ALLOWANCE ON INSIDE OF FRONT SEATS
MINI	COUNTRYMAN	03/24 - CURRENT	(U25) C FAVOURED, E FAVOURED, JCW ALL 4 CLASSIC, JCW ALL 4 FAVOURED, S ALL 4 FAVOURED, S ALL 4 JCW SPORT, SE ALL 4 FAVOURED SUV	MIN1605.140		MIN5434.1064	
MINI	COUNTRYMAN	03/24 - CURRENT	(U25) C CLASSIC, E CLASSIC, E CORE, S ALL 4 CLASSIC, SE ALL 4 CLASSIC SUV	MIN1610.102C		MIN5434.1064	
MINI	ONE	07/14 - 04/17	(F56) ALL BADGES 2DR HATCH	MIN1195.102C		MIN5142.1010	ROUND ALLOWANCE ON INSIDE OF FRONT SEATS
MINI	ONE	07/14 - 04/17	(F56) ALL BADGES 2DR HATCH	MIN1141.102C		MIN5142.1010	NO LUMBAR ALLOWANCE ON INSIDE OF FRONT SEATS
MINI	ONE	06/15 - 04/17	(F55) ALL BADGES 4DR HATCH	CE003.102C		CE003.966	NO LUMBAR ALLOWANCE ON INSIDE OF FRONT SEATS
MINI	ONE	06/15 - 04/17	(F55) ALL BADGES 4DR HATCH	MIN1196.102C		CE003.966	ROUND ALLOWANCE ON INSIDE OF FRONT SEATS
MINI	RAY	08/16 - 07/17	(F55) ALL BADGES 4DR HATCH	CE003.102C		CE003.966	NO LUMBAR ALLOWANCE ON INSIDE OF FRONT SEATS
MINI	RAY	08/16 - 07/17	(F55) ALL BADGES 4DR HATCH	MIN1196.102C		CE003.966	ROUND ALLOWANCE ON INSIDE OF FRONT SEATS
MINI	RAY	08/16 - 07/17	(F56) ALL BADGES 2DR HATCH	MIN1195.102C		MIN5142.1010	ROUND ALLOWANCE ON INSIDE OF FRONT SEATS
MINI	RAY	08/16 - 07/17	(F56) ALL BADGES 2DR HATCH	MIN1141.102C		MIN5142.1010	NO LUMBAR ALLOWANCE ON INSIDE OF FRONT SEATS




MAKE	MODEL	YEAR	SERIES & SUB MODEL	Front Pattern Number	Middle Pattern Number	Rear Pattern Number	Notes
MI SUBISHI	380	08/05 - 04/08	(DB) SX SEDAN	CM300.102C		CM300.803	
MI SUBISHI	ASX	07/10 - 07/11	(XA) ASPIRE SUV	MIT1020.102C		CM286.1015	RM1020 - EMB, G2B, GBB, GBR, WEB. PFM
MI SUBISHI	ASX	08/11 - 10/16	(XA, XB) ALL BADGES SUV	MIT1020.102C		MIT5019.1024	RM1020 - EMB, G2B, GBB, GBR, WEB. RM5019 - EMB, G2B, WEB. PFM
MI SUBISHI	ASX	11/16 - 06/25	(XC, XD) ALL BADGES SUV	MIT1020.102C		MIT5095.1024	RM1020- EMB, G2B, GBB, GBR, WEB. RM5095 - G2B, GBB. PFM XC SERIES ONLY UPTO 08/19
MI SUBISHI	ASX	06/25 - CURRENT	(XE) ASPIRE, EXCEED, LS SUV	MIT1659.102C		MIT5475.944	
MI SUBISHI	CHALLENGER	12/97 - 03/07	(PA) ALL BADGES WAGON	CM200.102		CM200.890	
MI SUBISHI	CHALLENGER	12/09 - 12/15	(PB, PC) LS WAGON	MIT1611.102C	MIT5291.1022	MIT9138.931	MIDDLE ROW ARMREST NOT COVERED
MI SUBISHI	CHALLENGER	12/09 - 12/15	(PB, PC) LS WAGON	MIT1611.102C		MIT5291.1022	REAR ROW ARMREST NOT COVERED
MI SUBISHI	COLT	01/81 - 08/88	(RC, RD) GL SEDAN			CM042.836	
MI SUBISHI	COLT	01/81 - 08/88	(RA, RB, RC, RD) GL, GLX, XL HATCH			CM047.836	
MI SUBISHI	COLT	10/82 - 08/88	(RB, RC) GSR, SE HATCH			CM040.807	
MI SUBISHI	COLT	04/84 - 08/88	(RC, RD) SE SEDAN			CM040.807	
MI SUBISHI	COLT	09/88 - 06/90	(RE) GLX HATCH			CM046.836	
MI SUBISHI	COLT	02/04 - 01/13	(RG) LS HATCH	CM135.102D		CM135.973	
MI SUBISHI	COLT	10/05 - 06/09	(RG) ES HATCH	CM136.101C		CM136.821	
MI SUBISHI	COLT	10/05 - 01/13	(RG) VRX HATCH	CM138.107D		CM136.821	FRONT DRIVERS SIDE ARMREST ONLY
MI SUBISHI	CORDIA	04/83 - 10/84	(AA) ALL BADGES LIFTBACK	CM011.102		CM010.806	
MI SUBISHI	CORDIA	11/84 - 07/89	GSL, GSR HATCH & LIFTBACK	CM010.101A		CM010.806	
MI SUBISHI	ECLIPSE CROSS	12/17 - 10/20	(YA) BLACK EDITION, ES, EXCEED, LS SUV	MIT1110.102C		MIT5109.1000	RM1110 - G2B, GBB, WEB. RM5109 - G2B, GBB
MI SUBISHI	ECLIPSE CROSS	10/20 - CURRENT	(YB) ALL BADGES (EXCLUDING ES) SUV	MIT1110.102C		MIT5233.1122	RM1110 - G2B, GBB, WEB. RM5233 - G2B, GBB
MI SUBISHI	ECLIPSE CROSS	10/20 - CURRENT	(YB) ES SUV	MIT1110.102C		MIT5242.1098	RM1110 - G2B, GBB, WEB. RM5242 - G2B, GBB
MI SUBISHI	EXPRESS	06/90 - 06/91	(SG) ALL BADGES VAN	CM064.101A	CM064.702		
MI SUBISHI	EXPRESS	03/20 - 05/22	(SN) GLX VAN (EXCLUDES GLX +)	MIT1143.409			RM - G2B
MI SUBISHI	EXPRESS	10/20 - 05/22	(SN) GLX+ LWB VAN	MIT1335.414			RM - G2B
MI SUBISHI	GALANT	12/92 - 11/94	(HJ) V6-24 HATCH	CM124.101B		CM124.833	
MI SUBISHI	GALANT	11/88 - 11/92	(HG, HH) GSR, SE HATCH	CM112.101C		CM112.833	
MI SUBISHI	GALANT	06/90 - 11/92	(HH) SE SEDAN	CM112.101C		CM113.803	
MI SUBISHI	GRANDIS	01/04 - 05/10	(BA) LUXURY WAGON	CM173.107C	CM173.942	MIT9139.923	
MI SUBISHI	L200	10/82 - 87	(MC, MD) EXPRESS UTE	CM070.203			
MI SUBISHI	L300	11/81 - 10/86	(SB,SC,SD,SE) EXPRESS VAN & WAGON	CM060.302	CM060.703	MIT9140.702	
MI SUBISHI	L300	11/81 - 10/86	(SB,SC,SD,SE) EXPRESS VAN & WAGON	CM063.101A	CM060.703	MIT9140.702	
MI SUBISHI	LANCER	06/88 - 06/92	(CA, CB) SE HATCH			CM106.812	
MI SUBISHI	LANCER	06/88 - 06/92	(CA, CB) SX HATCH	CM107.108A		CM107.503	
MI SUBISHI	LANCER	06/88 - 06/92	(CA, CB) GLX, SE SEDAN	CM110.101C		CM110.862	
MI SUBISHI	LANCER	06/88 - 06/92	(CA, CB) GL, GLX HATCH	CM110.101C		CM111.845	
MI SUBISHI	LANCER	06/88 - 04/96	(CA, CB, CC) GL SEDAN	CM110.101C		CM114.701	
MI SUBISHI	LANCER	06/92 - 09/03	(CC, CE) EL, GL WAGON	CM120.110		CM120.503	
MI SUBISHI	LANCER	06/92 - 04/96	(CC) GL, GLXI HATCH	CM110.101C		CM111.845	
MI SUBISHI	LANCER	06/92 - 04/96	(CC) GL COUPE	CM120.110		CM121.702	
MI SUBISHI	LANCER	06/92 - 04/96	(CC) GLXI, SEI SEDAN	CM110.101C		CM110.862	
MI SUBISHI	LANCER	06/92 - 04/96	(CC) GL 4DR HATCH	CM122.101C		CM111.845	
MI SUBISHI	LANCER	06/92 - 04/96	(CC) GL SEDAN	CM123.110		CM114.701	
MI SUBISHI	LANCER	95 - 04/96	(CC) GLXI COUPE	CM110.101C		CM119.878	
MI SUBISHI	LANCER	05/96 - 01	(CE) GLI COUPE	CM131.110		CM131.703	
MI SUBISHI	LANCER	05/96 - 09/03	(CE) GLI SEDAN	CM110.101C		CM117.701	
MI SUBISHI	LANCER	05/96 - 09/03	(CE) GLXI, MR COUPE	CM132.102		CM132.807	
MI SUBISHI	LANCER	05/96 - 09/03	(CE) GLXI WAGON	CM132.102		CM133.503	
MI SUBISHI	LANCER	05/96 - 09/03	(CE) GLXI SEDAN	CM132.102		CM190.862	
MI SUBISHI	LANCER	01 - 09/03	(CE2) GLI COUPE	CM183.110		CM183.702	
MI SUBISHI	LANCER	06/02 - 08/05	(CG) VR-X SEDAN	CM181.102C		CM181.701	

MAKE	MODEL	YEAR	SERIES & SUB MODEL	Front Pattern Number	Middle Pattern Number	Rear Pattern Number	Notes
MITSUBISHI	LANCER	06/02 - 08/05	(CG, CH) ES SEDAN	CM181.102C		CM184.701	
MITSUBISHI	LANCER	06/02 - 04/06	(CG, CH) EXCEED, LS SEDAN	CM181.102C		CM182.847	
MITSUBISHI	LANCER	09/04 - 09/07	(CH) ES, VR-X WAGON	CM181.102C		CM185.950	
MITSUBISHI	LANCER	08/05 - 09/07	(CH) VR-X SEDAN	CM186.102A		CM186.847	
MITSUBISHI	LANCER	08/05 - 10/16	(CF, CJ, CH) ES SEDAN	CM187.102C		CM187.913	
MITSUBISHI	LANCER	08/07 - 10/16	(CF, CJ) ACTIV, RALLIART, RX, SX, VR-X SEDAN	CM187.102C		CM187.913	
MITSUBISHI	LANCER	08/08 - 02/14	(CJ) SPORTBACK - ACTIV, ES, LX, RALLIART, SX SPORTBACK HATCH	CM193.102C		CM193.1024	
MITSUBISHI	LANCER	10/08 - 10/16	(CF, CJ) VR-X SPORTBACK HATCH	CM191.102C		CM191.1024	
MITSUBISHI	LANCER	09/12 - 08/14	(CJ) LX SEDAN	CM193.102C		CM194.924	
MITSUBISHI	LANCER	03/14 - 01/19	(CF, CJ) BLACK EDITION, ES SPORT, GSR SEDAN	CM193.102C		CM194.924	
MITSUBISHI	MAGNA	07/85 - 06/87	(TM) ELITE, SE SEDAN	CM020.101A		CM021.803	
MITSUBISHI	MAGNA	07/85 - 06/89	(TM, TN) EXECUTIVE, GLX SEDAN	CM020.101A			
MITSUBISHI	MAGNA	07/87 - 06/89	(TN) ELANTE, ELITE, SE SEDAN	CM020.101A		CM026.801	
MITSUBISHI	MAGNA	07/87 - 06/89	(TN) EXECUTIVE, GLX WAGON	CM020.101A		CM024.836	
MITSUBISHI	MAGNA	07/87 - 06/89	(TN) ELITE, SE WAGON	CM020.101A		CM025.834	
MITSUBISHI	MAGNA	07/89 - 06/91	(TP) EXECUTIVE SEDAN	CM026.101B			
MITSUBISHI	MAGNA	07/89 - 06/91	(TP) ELANTE, ELITE, SE SEDAN	CM026.101B		CM026.801	
MITSUBISHI	MAGNA	07/89 - 04/91	(TP) EXECUTIVE, GLX WAGON	CM026.101B		CM024.836	
MITSUBISHI	MAGNA	07/89 - 06/92	(TP) ELITE, SE WAGON	CM026.101B		CM025.834	
MITSUBISHI	MAGNA	04/91 - 03/96	(TR, TS) EXECUTIVE SEDAN	CM031.101B		CM038.803	
MITSUBISHI	MAGNA	04/91 - 12/96	(TR, TS) EXECUTIVE WAGON	CM031.101B		CM033.836	
MITSUBISHI	MAGNA	02/96 - 05/97	(TE, TF) ADVANCE SEDAN	CM038.101C		CM039.803	
MITSUBISHI	MAGNA	11/96 - 05/97	(TE) EXECUTIVE WAGON	CM038.101C		CM151.702	
MITSUBISHI	MAGNA	02/96 - 01/99	(TE, TF) ALTERA SEDAN	CM039.102		CM039.803	
MITSUBISHI	MAGNA	02/96 - 05/03	(TH, TJ) ADVANCE, (TE, TJ) EXECUTIVE SEDAN	CM038.101C		CM038.803	
MITSUBISHI	MAGNA	05/97 - 01/99	(TF) ADVANCE, EXECUTIVE, SOLARA WAGON	CM038.101C		CM152.701	
MITSUBISHI	MAGNA	06/97 - 01/99	(TF) ADVANCE SEDAN	CM037.102C		CM038.803	
MITSUBISHI	MAGNA	02/99 - 08/01	(TH, TJ) ADVANCE, ALTERA, SOLARA WAGON	CM038.101C		CM156.803	
MITSUBISHI	MAGNA	02/99 - 05/03	(TH, TJ) EXECUTIVE WAGON	CM038.101C		CM155.805	
MITSUBISHI	MAGNA	06/03 - 07/05	(TL, TW) ES, LS SEDAN	CM038.101C		CM158.803	
MITSUBISHI	MAGNA	06/03 - 07/05	(TL, TW) ES, LS WAGON	CM038.101C		CM157.803	
MITSUBISHI	MIRAGE	04/96 - 09/04	(CE) ALL BADGES 2DR HATCH	CM131.110		CM160.806	
MITSUBISHI	MIRAGE	01/13 - 10/21	(LA, LB) ALL BADGES HATCH	CM161.101C		CM161.896	
MITSUBISHI	MIRAGE	07/14 - 08/17	(LA) ALL BADGES SEDAN	CM161.101C		CM161.896	
MITSUBISHI	NIMBUS	05/84 - 08/87	(UA, UB) GLX WAGON	CM080.101A	CM080.821	MIT9141.821	
MITSUBISHI	NIMBUS	07/87 - 06/92	(UC, UF) GLX WAGON	CM080.101A	CM080.821	MIT9142.827	
MITSUBISHI	NIMBUS	02/92 - 07/98	(UF) GLX WAGON	CM082.102A	CM082.857	MIT9143.858	
MITSUBISHI	NIMBUS	07/98 - 10/03	(UG) GLX WAGON	CM083.102A	CM083.857	MIT9144.709	
MITSUBISHI	OUTLANDER	12/02 - 09/06	(ZE, ZF) LS, VR, VRX, XLS SUV	CM013.118C		CM013.924	
MITSUBISHI	OUTLANDER	10/06 - 10/07	(ZG, ZH) LS, VR SUV	CM015.118A		CM013.924	
MITSUBISHI	OUTLANDER	10/06 - 10/12	(ZG, ZH) VRX, XLS SUV	CM017.102C		MIT5292.1000	ARMREST NOT COVERED
MITSUBISHI	OUTLANDER	10/06 - 10/12	(ZG, ZH) LS, VR, VRX, XLS 7 SEAT SUV	CM017.102C	MIT5292.1000	MIT9145.1004	MIDDLE ARMREST NOT COVERED
MITSUBISHI	OUTLANDER	11/07 - 10/12	(ZG, ZH) LS, VR SUV	CM017.102C		MIT5292.1000	ARMREST NOT COVERED
MITSUBISHI	OUTLANDER	11/12 - 11/17	(ZJ, ZK) ES, LS, XLS 5 SEAT SUV	MIT1017.102C		MIT5016.528	RM1017 - EMB, G2B, WEB. RM5016 - EMB, G2B, GBB, WEB
MITSUBISHI	OUTLANDER	11/12 - 11/17	(ZJ, ZK) ASPIRE, ES, EXCEED, LS, XLS 7 SEAT SUV	MIT1017.102C	MIT5016.528	MIT9025.931	RM1017 - EMB, G2B, WEB. RM5016 - EMB, G2B, GBB, WEB. RM9025 - G2B
MITSUBISHI	OUTLANDER	11/17 - 07/21	(ZL) ES, ES ADAS, LS 5 SEAT SUV	MIT1149.101C		MIT5016.528	RM1149 - G2B, GBB. RM5016 - EMB, G2B, GBB, WEB
MITSUBISHI	OUTLANDER	11/17 - 07/21	(ZL) ES, EXCEED, LS 7 SEAT SUV	MIT1149.101C	MIT5016.528	MIT9025.931	RM1149 - G2B, GBB. RM5016 - EMB, G2B, GBB, WEB. RM9025 - G2B
MITSUBISHI	OUTLANDER	08/21 - CURRENT	(ZM) PETROL & PHEV - ASPIRE, ES 5 SEAT SUV	MIT1328.102C		MIT5275.1131	RM1328 - EMB, G2B, GBB, TRB, WEB. RM5275 - GBB
MITSUBISHI	OUTLANDER	08/21 - CURRENT	(ZM) PETROL - ASPIRE, EXCEED, EXCEED TOURER, LS 7 SEAT SUV	MIT1328.102C	MIT5274.1007	MIT9039.1130	RM1328 - EMB, G2B, GBB, TRB, WEB. RM5274 - EMB, GBB, TRB, WEB. RM9039 - GBB
MITSUBISHI	OUTLANDER	02/22 - CURRENT	(ZM) PHEV - EXCEED, EXCEED TOURER, GSR 7 SEAT SUV	MIT1328.102C	MIT5274.1007	MIT9051.1154	RM1328 - EMB, G2B, GBB, TRB, WEB. RM5274 - EMB, GBB, TRB, WEB

MAKE	MODEL	YEAR	SERIES & SUB MODEL	Front Pattern Number	Middle Pattern Number	Rear Pattern Number	Notes
MITSUBISHI	PAJERO	08/84 - 07/89	(NB, NF) LWB COMMERCIAL SUV	CM050.102	CM057.702	MIT9146.503	
MITSUBISHI	PAJERO	07/86 - 12/90	(ND, NE, NF, NG) SUPERWAGON 7 SEAT SUV	CM051.101A	CM051.830	MIT9146.503	
MITSUBISHI	PAJERO	07/87 - 07/88	(ND, NE) SWB STANDARD 4 SEAT SUV	CM050.102		CM050.703	
MITSUBISHI	PAJERO	07/87 - 07/88	(NE) LWB STD 7 SEAT SUV	CM050.102	CM052.830	MIT9146.503	
MITSUBISHI	PAJERO	07/88 - 07/89	(NF) EXE TURBO 7 SEAT SUV	CM051.101A	CM051.830	MIT9146.503	
MITSUBISHI	PAJERO	07/88 - 91	(NF, NG) EXE TURBO 5 SEAT SUV	CM051.101A		CM053.704	
MITSUBISHI	PAJERO	08/89 - 91	(NG) EXE TURBO 7 SEAT SUV	CM051.101A	CM055.704	MIT9146.503	
MITSUBISHI	PAJERO	01/91 - 05/97	(NH, NJ, NK) LWB GLX SUV	CM075.102C	CM075.830	MIT9147.503	
MITSUBISHI	PAJERO	01/91 - 05/97	(NH, NJ, NK) LWB GLS SUV	CM076.107A	CM076.843	MIT9148.503	
MITSUBISHI	PAJERO	01/91 - 05/97	(NH, NJ, NK) LWB GL, GLX SUV	CM075.102C		CM079.704	
MITSUBISHI	PAJERO	01/91 - 05/97	OPTIONAL EXTRA REAR SEAT			CM078.703	
MITSUBISHI	PAJERO	01/91 - 05/97	(NH, NJ, NK) SWB GLS HARDTOP	CM059.102A	CM059.702	MIT9149.812	
MITSUBISHI	PAJERO	06/97 - 08/99	(NL) LWB GLS SUV	CM076.107A	CM141.812	MIT9148.503	
MITSUBISHI	PAJERO	06/97 - 06/00	(NL) ESCAPE, GLX SUV	CM142.102C	CM075.830	MIT9147.503	
MITSUBISHI	PAJERO	99 - 06/00	(NL) EXCEED, GLS SUV	CM076.107A	CM141.812	MIT9150.709	
MITSUBISHI	PAJERO	02/00 - 09/02	(NM) GLX 4WD SUV	CM212.102	CM212.936	MIT9151.703	
MITSUBISHI	PAJERO	02/00 - 09/02	(NM) GLS 4WD SUV	CM213.102A	CM213.719	MIT9151.703	
MITSUBISHI	PAJERO	10/02 - 09/06	(NP) EXCEED, GL, GLS, GLX, VRX 7 SEAT SUV	CM214.102A	CM214.954	MIT9152.953	
MITSUBISHI	PAJERO	10/06 - 12/08	(NS) EXCEED, GLX, VRX 7 SEAT SUV	CM216.102C	MIT5041.1003	MIT9004.1004	RM5041 - G2B, GBB, WEB. RM9004 - G2B, WEB
MITSUBISHI	PAJERO	10/06 - 01/10	(NS, NT) R, X SWB 2DR SUV	CM217.102C		CM217.928	
MITSUBISHI	PAJERO	01/09 - 14	(NT, NW) ALL BADGES (EXCLUDING EXCEED, GLS, VR-X) 7 SEAT SUV	MIT1018.102C	MIT5041.1003	MIT9004.1004	RM1018 & 5041 - G2B, GBB, WEB. RM9004 - G2B, WEB
MITSUBISHI	PAJERO	14 - 03/21	(NX) GLX 7 SEAT SUV	MIT1018.102C	MIT5041.1003	MIT9004.1004	RM1018 & 5041 - G2B, GBB, WEB. RM9004 - G2B, WEB
MITSUBISHI	PAJERO	01/09 - 03/21	(NT, NW, NX) GL, GLX, GLX5, GLX-R 5 SEAT SUV	MIT1018.102C		MIT5041.1003	RM - G2B, GBB, WEB
MITSUBISHI	PAJERO	01/09 - 03/21	(NT, NW, NX) EXCEED, GLS, VR-X 7 SEAT SUV	MIT1381.102C	MIT5041.1003	MIT9004.1004	RM1381 - GBB. RM5041 - G2B, GBB, WEB. RM9004 - G2B, WEB
MITSUBISHI	PAJERO IO	01/99 - 08/02	(QA) SUNDOWNER 2DR SUV	CM210.101C		CM210.708	
MITSUBISHI	PAJERO IO	01/99 - 08/02	(QA) SUNDOWNER 4DR SUV	CM210.101C		CM211.708	
MITSUBISHI	PAJERO SPORT	01/15 - 2019	(QE) GLX, GLS, EXCEED 5 SEAT SUV	MIT1046.102C		MIT5049.1022	RM - G2B, GBB, WEB. AOF AVAILABLE 1046
MITSUBISHI	PAJERO SPORT	01/15 - 2019	(QE) GLS, EXCEED 7 SEAT SUV	MIT1046.102C	MIT5049.1022	MIT9011.931	RM1046 & RM5049 - G2B, GBB, WEB. AOF AVAILABLE 1046
MITSUBISHI	PAJERO SPORT	19 - 20	(QF) EXCEED, GLS, GLX 5 SEAT SUV	MIT1046.102C		MIT5191.1022	RM1046 - G2B, GBB, WEB. RM5191 - G2B, GBB, TRB. FRONT LUMBER ALLOWANCE. DRINK HOLDER ON 2ND ROW EJECTS. AOF AVAILABLE
MITSUBISHI	PAJERO SPORT	19 - 20	(QF) GLS 7 SEAT SUV	MIT1046.102C	MIT5191.1022	MIT9011.931	RM1046 - G2B, GBB, WEB. RM5191 - G2B, GBB, TRB. DRINK HOLDER ON 2ND ROW EJECTS. AOF AVAILABLE 1046 & 5191
MITSUBISHI	PAJERO SPORT	19 - CURRENT	(QF, QG) EXCEED, GSR 7 SEAT SUV	MIT1046.102C	MIT5191.1022	MIT9011.931	RM1046 - G2B, GBB, WEB. RM5191 - G2B, GBB, TRB. DRINK HOLDER ON 2ND ROW EJECTS. AOF AVAILABLE 1046 & 5191
MITSUBISHI	PAJERO SPORT	20 - CURRENT	(QF, QG) GLX 5 SEAT SUV	MIT1267.102C		MIT5191.1022	RM1267 - GBB, TRB. RM5191 - G2B, GBB, TRB. FRONT LUMBER ALLOWANCE. DRINK HOLDER ON 2ND ROW EJECTS. AOF AVAILABLE 5191
MITSUBISHI	PAJERO SPORT	20 - CURRENT	(QF, QG) GLS 7 SEAT SUV	MIT1267.102C	MIT5191.1022	MIT9011.931	RM1267 - GBB, TRB. RM5191 - G2B, GBB, TRB. FRONT LUMBER ALLOWANCE. DRINK HOLDER ON 2ND ROW EJECTS. AOF AVAILABLE 5191
MITSUBISHI	SIGMA	09/78 - 04/82	(GE, GH) GL, SE WAGON			CM002.702	
MITSUBISHI	SIGMA	11/80 - 09/85	(GJ, GK) SCORPION COUPE	CM030.105		CM030.811	
MITSUBISHI	SIGMA	03/82 - 11/85	(GJ, GK) SE SEDAN			CM001.801	
MITSUBISHI	SIGMA	03/82 - 09/85	(GJ, GK) GL, SE, XL WAGON			CM003.702	
MITSUBISHI	SIGMA	07/85 - 12/87	(GN) GL WAGON			CM004.807	
MITSUBISHI	STARWAGON	08/86 - 06/91	(SF, SG) GL, GLX WAGON	CM065.101A	CM065.941	MIT9153.704	FRONT ROW HEADREST NOT COVERED
MITSUBISHI	STARWAGON	08/86 - 06/91	(SF, SG) SE WAGON	CM066.101A	CM065.941	MIT9154.801	
MITSUBISHI	STARWAGON	07/91 - 05/94	(SH) GL VAN	CM065.101A	CM065.941	MIT9155.704	FRONT ROW HEADREST NOT COVERED
MITSUBISHI	STARWAGON	07/91 - 05/94	(SH) GLX WAGON	CM069.101C	CM069.940	MIT9156.507	
MITSUBISHI	STARWAGON	06/94 - 09/03	(WA) GL, GLX WAGON	CM071.101A	CM071.941	MIT9157.709	
MITSUBISHI	STARWAGON	06/94 - 07/96	(WA) GLS MWB WAGON	CM072.101C	CM072.940	MIT9157.709	
MITSUBISHI	TRITON	06/88 - 10/96	(MF, MG, MH, MJ) SINGLE CAB BENCH SEAT	CM090.202			
MITSUBISHI	TRITON	06/90 - 05/92	(MH) DUAL CAB	CM091.102A		CM091.701	
MITSUBISHI	TRITON	06/92 - 10/96	(MJ) DUAL CAB	CM091.102A		CM092.859	
MITSUBISHI	TRITON	06/92 - 10/96	(MJ) SINGLE CAB BUCKET & 3/4	CM093.401			

MAKE	MODEL	YEAR	SERIES & SUB MODEL	Front Pattern Number	Middle Pattern Number	Rear Pattern Number	Notes
MITSUBISHI	TRITON	06/96 - 98	(MK) GLX DUAL CAB	CM091.102A		CM094.704	
MITSUBISHI	TRITON	06/96 - 98	(MK) GLS DUAL CAB	CM091.102A		CM098.801	
MITSUBISHI	TRITON	06/96 - 08/06	(MK) GL, GLX SINGLE CAB BUCKET & 3/4	CM093.401			TWO S/BELT ALLOW ON BASE
MITSUBISHI	TRITON	10/96 - 02	(MK) GLX CLUB CAB	CM097.102C			
MITSUBISHI	TRITON	11/96 - 98	(MK) GL, GLX SINGLE CAB BUCKET SEATS	CM091.102A			
MITSUBISHI	TRITON	11/96 - 08/06	(MK) GL, GLX SINGLE CAB BENCH SEAT	CM090.202			
MITSUBISHI	TRITON	99 - 02	(MK) GLX DUAL CAB	CM097.102C		CM094.704	
MITSUBISHI	TRITON	99 - 02	(MK) GLS, GLX-R DUAL CAB	CM097.102C		CM098.801	
MITSUBISHI	TRITON	99 - 08/06	(MK) GL, GLX SINGLE CAB BUCKET SEATS	CM097.102C			
MITSUBISHI	TRITON	06/00 - 08/06	(MK) GL, GLX SINGLE CAB BUCKET & 3/4	CM099.401			
MITSUBISHI	TRITON	03 - 05/05	(MK) GLX CLUB CAB	CM086.102C			
MITSUBISHI	TRITON	02/03 - 08/06	(MK) GLS, GLX-R DUAL CAB	CM086.102C		CM086.801	
MITSUBISHI	TRITON	02/03 - 08/06	(MK) GLX DUAL CAB	CM086.102C		CM087.704	
MITSUBISHI	TRITON	07/06 - 07/09	(ML) GL, GLX SINGLE CAB BUCKET SEATS	CM205.102C			
MITSUBISHI	TRITON	07/06 - 07/09	(ML) GLS, GLX-R, VR DUAL CAB	CM205.102C		MIT5017.903	RM5017 - TRG. AO AVAILABLE 5017.
MITSUBISHI	TRITON	07/06 - 11/12	(ML, MN) GL-R, GLX, GLX-R DUAL CAB	CM205.102C		CM205.704	
MITSUBISHI	TRITON	07/06 - 04/15	(ML, MN) GL, GLX SINGLE CAB BUCKET & 3/4	MIT1612.401			
MITSUBISHI	TRITON	07/08 - 04/15	(MN) GL, GLX CLUB SINGLE CAB	CM231.102C			
MITSUBISHI	TRITON	08/09 - 11/12	(MN) GLX SINGLE CAB BUCKET SEATS	CM205.102C			
MITSUBISHI	TRITON	08/09 - 11/12	(MN) GL-R, GLX, GLX-R DUAL CAB	CM205.102C		MIT5017.903	RM5017 - TRG. AO AVAILABLE 5017.
MITSUBISHI	TRITON	12/12 - 04/15	(MN) GLX SINGLE CAB BUCKET SEATS	MIT1054.102C			RM- G2B, TRB, TRG. AO AVAILABLE.
MITSUBISHI	TRITON	12/12 - 04/15	(MN) GLX, GL-R, GLX-R DUAL CAB	MIT1054.102C		MIT5017.903	RM1054 - G2B, TRB, TRG. RM5017 - TRG. AO AVAILABLE.
MITSUBISHI	TRITON	05/15 - 12/23	(MQ, MR) GLX SINGLE CAB	MIT1497.102C			RM - TRB
MITSUBISHI	TRITON	05/15 - 12/23	(MQ, MR) GLX CLUB CAB	MIT1016.102C		MIT5110.1062	RM1016 - G2B, GBB, STC, TRB, TRG, WEB. AOF AVAILABLE 1016. CC05 - ANB & STC
MITSUBISHI	TRITON	05/15 - 12/23	(MQ, MR) EXCEED, GLS PREMIUM, GSR DUAL CAB	MIT1174.102C		MIT5018.903	RM1174 - G2B. RM5018 - G2B, GBB, STC, TRB, TRG. AOF AVAILABLE. PFM
MITSUBISHI	TRITON	05/15 - 12/23	(MQ, MR) GLS, GLS BLACKLINE, GLX, GLX+, GLX ADAS, GLX-R DUAL CAB	MIT1016.102C		MIT5018.903	RM1016 - G2B, GBB, STC, TRB, TRG, WEB. RM5018 - G2B, GBB, STC, TRB, TRG. AOF AVAILABLE. PFM. CC05 - ANB & STC
MITSUBISHI	TRITON	12/23 - CURRENT	(MV) ALL BADGES DUAL CAB	MIT1471.121C		MIT5368.945	RM1471 - GBB, STB, STC, TRB, TRG. RM5368 - GBB, STB, TRB, TRG. AOF AVAILABLE. PFM. CC14 - ANB & STC
MITSUBISHI	VERADA	07/91 - 03/94	(KR) ALL BADGES SEDAN	CM029.111		CM029.841	
MITSUBISHI	VERADA	07/91 - 03/94	(KR) ALL BADGES WAGON	CM029.111		CM034.834	
MITSUBISHI	VERADA	03/94 - 07/05	(KE, KF, KH, KJ, KL, KS, KW) ALL BADGES SEDAN	CM038.101C		CM036.841	
MITSUBISHI	VERADA	06/97 - 06/00	(KF, KH) WAGON	CM039.102		CM153.801	
MITSUBISHI	VERADA	06/97 - 06/00	(KF, KH) WAGON	CM154.102		CM039.803	

MAKE	MODEL	YEAR	SERIES & SUB MODEL	Front Pattern Number	Middle Pattern Number	Rear Pattern Number	Notes
mitsubishi fuso	CANTER	08/95 - 09/08	(FE, FG) 600 SERIES WIDE CAB TRUCK	CM105.303		CM223.1037	
mitsubishi fuso	CANTER	97 - 02	(FE) 537 NARROW CAB TRUCK	MIT1256.303			
mitsubishi fuso	CANTER	04 - 10	(FE) 2.5, 3.5, 4.5 NARROW SINGLE CAB TRUCK AND TIPPER	CM280.304			
mitsubishi fuso	CANTER	04 - 10	(FE) 2.0, 3.5, 4.5 WIDE SINGLE CAB TRUCK AND TIPPER	MIT1502.304			
mitsubishi fuso	CANTER	08/08 - 10/11	(FE, FG) 800 SERIES WIDE CAB TRUCK	MIT1502.304		CM223.1037	
mitsubishi fuso	CANTER	06/11 - 10/16	(FG) 615, 715, 815 WIDE CAB TRUCK	CM225.126		CM225.865	FRONT A/O AVAILABLE. REAR A/O ONLY
mitsubishi fuso	CANTER	06/11 - 10/16	(FE) 413, 515, 516, 616 CITY NARROW CAB TRUCK	CM221.126			A/O AVAILABLE
mitsubishi fuso	CANTER	11/11 - CURRENT	(FE) 615, 616, 715, 815, 816, 918 WIDE 2DR TRUCK	MIT1333.136			RM1333 - CVC. A/O AVAILABLE. FRONT CONVERTED FROM CM244.
mitsubishi fuso	CANTER	10/16 - CURRENT	(FE) 515 CITY NARROW CREW CAB TRUCK	MIT1412.136		MIT5393.704	RM1412 - CVC. FRONT A/O AVAILABLE. REAR A/O ONLY
mitsubishi fuso	CANTER	10/16 - CURRENT	(FE) 413, 515, 516, 616 CITY NARROW TRUCK	MIT1412.136			RM1412 - CVC. A/O AVAILABLE. FRONT CONVERTED FROM CM243.
mitsubishi fuso	CANTER	10/16 - CURRENT	(FG) 515, 715, 716 WIDE 2DR & 4DR TRUCK	MIT1333.136		CM225.865	RM1333 - CVC. FRONT A/O AVAILABLE. FRONT CONVERTED FROM CM244. REAR A/O ONLY
mitsubishi fuso	CANTER	10/16 - CURRENT	NARROW & WIDE CAB TRUCK - DRIVER SIDE ONLY	MIT1398.196			A/O ONLY
mitsubishi fuso	FIGHTER	11/07 - 04/11	(FK, FM, FN) ALL BADGES TRUCK	CM247.402			
mitsubishi fuso	FIGHTER	05/11 - CURRENT	(FK, FM, FN) ALL BADGES TRUCK	MIT1291.402			RM1291 - CVC. A/O AVAILABLE. FRONT CONVERTED FROM CM226.
mitsubishi fuso	ROSA BUS	08 - CURRENT	(BE) DELUXE 25 SEAT (9 ROWS)	MIT1095.145	MIT5092.1083 MIT5093.1084	MIT9010.1085	A/O ONLY. ROW 1 =1095, ROW 2 =5092, ROW 3-8 =5093, ROW 9 =9010
mitsubishi fuso	ROSA BUS	08 - CURRENT	(BE) DELUXE 22 SEAT (8 ROWS)	MIT1095.145	MIT5092.1083 MIT5093.1084	MIT9010.1085	A/O ONLY. ROW 1 =1095, ROW 2 =5092, ROW 3-7 =5093, ROW 8 =9010
mitsubishi fuso	SHOGUN	11 - CURRENT	(FP, FS, FV, SHOGUN) HEAVY DUTY 2 SEAT SINGLE CAB TRUCK	CM227.110			A/O ONLY
mitsubishi fuso	SHOGUN	11 - CURRENT	(FP, FS, FV, SHOGUN) HEAVY DUTY 3 SEAT SINGLE CAB TRUCK	CM228.400			A/O ONLY
mitsubishi fuso	SHOGUN	01/19 - CURRENT	(400) - FV74, FS72, FS76 & (460) - FS72, FS76 3 SEAT HEAVY TRUCK	MIT1405.215			A/O ONLY
mitsubishi fuso	SHOGUN	01/19 - CURRENT	(FP, FS, FU, FV) 2 SEAT SINGLE CAB TRUCK	MIT1142.148			RM1142 - CVC. A/O ONLY
mitsubishi fuso	SHOGUN	26 - CURRENT	(FP, FS, FU, FV) 2 SEAT SINGLE CAB TRUCK	MIT1660.256			A/O ONLY. ISRI 6860/885 NTS1 DRIVER

MAKE	MODEL	YEAR	SERIES & SUB MODEL	Front Pattern Number	Middle Pattern Number	Rear Pattern Number	Notes
NEW HOLLAND	POSI TRACK	22 - CURRENT	POSI COMPACT TRACK LOADER RANGE - C327, C332, C338	NHO1636.244			AOF ONLY
NEW HOLLAND	SKID STEER	22 - CURRENT	SKID STEER LOADER RANGE - L313, L315, L318, L320, L325, L330	NHO1636.244			AOF ONLY
NEW HOLLAND	WHEEL LOADER	22 - CURRENT	WHEEL LOADER RANGE - W11D, W130D, W170D, W190D	NHO1637.197			AOF ONLY

MAKE	MODEL	YEAR	SERIES & SUB MODEL	Front Pattern Number	Middle Pattern Number	Rear Pattern Number	Notes
NISSAN	720	79 - 08/85	(720) 2DR UTE	CD132.201			
NISSAN	720	79 - 86	(720) 4DR UTE	CD091.208			
NISSAN	200SX	10/94 - 12/03	(S14, S15) 2DR COUPE	CD180.102C		CD180.826	
NISSAN	280C	77 - 84	(330, 430) SEDAN			CD130.802	
NISSAN	370Z	05/09 - 05/22	(Z34) 2 DR CONVERTIBLE & COUPE (EXCLUDING NISMO)	NIS1273.159			
NISSAN	ALMERA	08/12 - 07/14	(N17) ST SEDAN	CD193.102C		CD193.802	
NISSAN	ALMERA	08/12 - 07/14	(N17) TI SEDAN	CD193.102C		CD194.841	ARMREST NOT COVERED
NISSAN	BLUEBIRD	05/81 - 06/86	(U11, 910) GL SEDAN			CD001.701	
NISSAN	BLUEBIRD	05/81 - 06/86	(U11, 910) GX, LX, TRX SEDAN			CD003.803	
NISSAN	BLUEBIRD	05/81 - 06/86	(U11, 910) VENTURER SEDAN			CD004.805	
NISSAN	BLUEBIRD	05/81 - 05/90	(U11, 910) WAGON			CD002.701	
NISSAN	BLUEBIRD	08/93 - 12/97	SSS SEDAN	CD006.111		CD005.803	
NISSAN	BLUEBIRD	10/93 - 12/97	(U13) LX, TI SEDAN	CD005.102C		CD005.803	
NISSAN	CABSTAR	05/89 - 06/92	(H40) DUAL CAB COMMERCIAL TRUCK	CD128.301		CD128.701	
NISSAN	CARAVAN	08/80 - 08/90	(E23, E24) SGL PEOPLE MOVER	CD040.402	CD040.504	NIS9159.704	
NISSAN	CARAVAN	08/80 - 09/86	(E23) COMMERCIAL VAN	CD042.402			
NISSAN	CARAVAN	09/86 - 08/90	(E24) COMMERCIAL VAN	CD084.304			
NISSAN	CARAVAN	08/90 - 05/97	(E24) COMMERCIAL VAN	CD084.304			
NISSAN	DUALIS	12/07 - 01/16	(J10) TI, TI-L WAGON	CD227.102C		CD227.1024	
NISSAN	DUALIS	12/07 - 01/16	(J10) ST, TS WAGON	CD227.102C		CD228.896	
NISSAN	DUALIS	12/07 - 01/16	(J10) +2Ti, +2ST, +2Ti-L WAGON	CD227.102C	CD230.1006		REAR NOT COVERED
NISSAN	JUKE	01/12 - 01/20	(F15) ST SUV	CD233.102C		CD233.1015	
NISSAN	JUKE	02/20 - CURRENT	(F16) ST, ST+, ST-L SUV	NIS1432.110		NIS5342.944	
NISSAN	JUKE	02/20 - CURRENT	(F16) TI SUV	NIS1433.110		NIS5342.944	
NISSAN	LEAF	10/17 - CURRENT	(ZE1) ALL BADGES HATCH	NIS1275.102C		NIS5239.1123	
NISSAN	MAXIMA	08/88 - 12/94	(J30) ALL BADGES SEDAN	CD031.101		CD031.803	
NISSAN	MAXIMA	02/95 - 12/99	(A32) ALL BADGES SEDAN	CD034.102		CD031.803	
NISSAN	MAXIMA	12/99 - 11/03	(A33) ALL BADGES SEDAN	CD035.102		CD035.913	
NISSAN	MICRA	05/95 - 12/97	(K11) LX 2DR HATCH	CD170.101C		CD170.703	
NISSAN	MICRA	05/95 - 12/97	(K11) SLX HATCH	CD171.101C		CD171.508	
NISSAN	MICRA	01/04 - 09/10	(K12) HATCH	CD172.133		CD172.1010	
NISSAN	MICRA	10/10 - 01/13	(K13) ST, ST-L HATCH	CD173.102C		CD173.1010	
NISSAN	MICRA	10/10 - 12/17	(K13) TI HATCH	CD234.133		CD173.1010	
NISSAN	MICRA	01/13 - 12/17	(K13) ST, ST-L HATCH	CD234.133		CD173.1010	
NISSAN	MURANO	08/05 - 01/16	(Z50, Z51) ST SUV	CD215.102E		CD215.1001	
NISSAN	MURANO	08/05 - 01/16	(Z50, Z51) TI SUV	CD216.101C		CD215.1001	
NISSAN	NAVARA	86 - 05/92	(D21) STANDARD 4X2 DUAL CAB	CD097.202		CD092.704	
NISSAN	NAVARA	86 - 05/92	(D21) STANDARD SINGLE CAB	CD099.207			NO CUT OUT
NISSAN	NAVARA	86 - 05/92	(D21) DELUXE 4x2, 4x4 DUAL CAB	CD092.210		CD092.704	
NISSAN	NAVARA	86 - 05/92	(D21) KINGSCAB DX 4WD	CD092.210			
NISSAN	NAVARA	86 - 05/92	(D21) KINGSCAB DX 2WD	CD214.202			FRONT CONVERTED FROM CD094
NISSAN	NAVARA	86 - 05/92	(D21) DX 2WD DUAL CAB			CD131.801	
NISSAN	NAVARA	86 - 02/97	(D21) 4WD DELUXE	CD092.210			
NISSAN	NAVARA	89 - 02/97	(D21) NUGGET SINGLE CAB	CD092.210			
NISSAN	NAVARA	06/92 - 02/97	(D21, D22) STANDARD SINGLE CAB	CD097.202			
NISSAN	NAVARA	06/92 - 02/97	(D21) DX DUAL CAB	CD133.101C		CD131.801	
NISSAN	NAVARA	06/92 - 02/97	(D21) DX, TI DUAL CAB	CD134.101A		CD131.801	FRONT HEADREST NOT COVERED
NISSAN	NAVARA	03/97 - 12/01	(D22) DX DUAL CAB	CD137.102D		CD124.701	
NISSAN	NAVARA	03/97 - 10/15	(D22) DX SINGLE CAB BUCKET SEATS	CD124.102D			
NISSAN	NAVARA	03/97 - 10/15	(D22) DX SINGLE CAB 4 X 4, BENCH SEAT	NIS1501.210			

MAKE	MODEL	YEAR	SERIES & SUB MODEL	Front Pattern Number	Middle Pattern Number	Rear Pattern Number	Notes
NISSAN	NAVARA	03/97 - 10/15	(D22) DX SINGLE CAB 2 X 4, BENCH SEAT	CD214.202			
NISSAN	NAVARA	12/01 - 12/05	(D22) DX DUAL CAB	CD137.102D		CD137.704	
NISSAN	NAVARA	12/01 - 10/15	(D22) ST-R DUAL CAB	CD129.102D		CD129.704	
NISSAN	NAVARA	12/05 - 08/07	(D40) ST-X DUAL CAB	CD126.102C		CD126.502	
NISSAN	NAVARA	12/05 - 01/08	(D22) DX DUAL CAB	CD124.102D		CD124.701	
NISSAN	NAVARA	12/05 - 02/09	(D40) RX DUAL CAB	NIS1175.102C		NIS5169.977	RM - G2B
NISSAN	NAVARA	09/07 - 15	(D40) ST-X, STX550 DUAL CAB	NIS1197.102C		NIS5169.977	RM - G2B. FRONT HAS 2 ROUND CUTOUTS ON SKIRT.
NISSAN	NAVARA	03/08 - 10/15	(D40) RX, ST-X KING CAB	NIS1175.102C		CD210.1030	RM1175 - G2B
NISSAN	NAVARA	08/09 - 10/11	(D40) ST DUAL CAB	CD211.102C		CD211.704	
NISSAN	NAVARA	03/09 - 15	(D40) RX, RX SILVERLINE DUAL CAB	CD211.102C		CD211.704	
NISSAN	NAVARA	11/11 - 15	(D40) ST DUAL CAB	NIS1010.102C		NIS5006.977	RM1010 - G2B, TRG. RM5006 - G2B, TRG. AO AVAILABLE
NISSAN	NAVARA	12/11 - 02/15	(D40) SERIES 5 STX550 DUAL CAB	NIS1197.102C		CD126.502	RM1197 - G2B. FRONT HAS 2 ROUND CUTOUTS ON SKIRT.
NISSAN	NAVARA	05/15 - 10/17	(D23, NP300) SERIES 1 & 2 DX, RX, ST, ST-X DUAL CAB	NIS1011.102C		NIS5007.704	RM1011 - G2B, GBB, TRB, TRG. RM5007 - TRB, TRG. AO AVAILABLE. PFM
NISSAN	NAVARA	11/15 - 01/26	(D23, NP300) SERIES 1, 2, 3, 4 & 5 ALL BADGES KING CAB	NIS1011.102C		NPR	RM1011 - G2B, GBB, TRB, TRG. AO AVAILABLE.
NISSAN	NAVARA	11/15 - 01/26	(D23, NP300) SERIES 1, 2, 3, 4 & 5 ALL BADGES SINGLE CAB	NIS1011.102C			RM1011 - G2B, GBB, TRB, TRG. AO AVAILABLE.
NISSAN	NAVARA	11/17 - 12/20	(D23, NP300) SERIES 3 & 4 RX, SL, ST, ST-X DUAL CAB	NIS1011.102C		NIS5073.704	RM1011 - G2B, GBB, TRB, TRG. RM5073 - G2B, TRB, TRG. AO AVAILABLE. PFM
NISSAN	NAVARA	12/20 - 01/26	(D23, NP300) SERIES 5 ALL BADGES DUAL CAB	NIS1011.102C		NIS5234.945	RM1011 - G2B, GBB, TRB, TRG. RM5234 - GBB, TRB. AO AVAILABLE. PFM
NISSAN	NAVARA	02/26 - CURRENT	(D27) MY26 ALL BADGES DUAL CAB	NIS1471.121C		NIS5368.945	RM1471 - GBB, STB, STC, TRB, TRG. RM5368 - GBB, STB, TRB, TRG. AOF AVAILABLE. PFM. CC14 - ANB & STC
NISSAN	NOMAD	12/86 - 10/92	(C22) ALL BADGES WAGON	CD120.102	CD120.505	NIS9160.704	
NISSAN	PATHFINDER	12/86 - 88	(D21) 4WD SUV	CD110.101C		CD110.704	
NISSAN	PATHFINDER	88 - 09/92	(D21) 4WD SUV	CD110.101C		CD111.709	
NISSAN	PATHFINDER	10/92 - 11/95	(D21) TI SUV	CD112.102		CD112.863	
NISSAN	PATHFINDER	10/92 - 11/95	(D21) ST SUV	CD112.102		CD113.865	
NISSAN	PATHFINDER	11/95 - 06/05	(R50) ST, TI 4WD SUV	CD114.111		CD114.514	
NISSAN	PATHFINDER	07/05 - 09/13	(R51) ST, ST-L, TI 4X4 SUV (EXCLUDING TI550)	CD115.102	CD115.980	NIS9161.931	
NISSAN	PATHFINDER	10/13 - 01/21	(R52) ST, ST-L SUV	NIS1043.102C	NIS5045.1007	NIS9162.1053	RM1043 - EMB, G2B, WEB. RM5045 - EMB, G2B
NISSAN	PATHFINDER	10/13 - 01/21	(R52) TI SUV	NPR	NIS5045.1007	NIS9162.1053	RM5045 - EMB, G2B
NISSAN	PATHFINDER	07/22 - CURRENT	(R53) ST, ST-L, TI 8 SEAT SUV	NIS1444.102C	NIS5352.979	NIS9048.1015	
NISSAN	PATHFINDER	07/22 - CURRENT	(R53) TI-L 7 SEAT SUV	NIS1444.102C	NIS5353.527	NIS9048.1015	
NISSAN	PATROL	80 - 11/83	(MQ) 4WD SINGLE CAB	CD064.301			
NISSAN	PATROL	81 - 12/87	(MQ) SWB 4WD STD 4 SEAT SUV	CD061.101C		CD061.703	
NISSAN	PATROL	81 - 12/87	(MQ) LWB 7 SEAT SUV	CD061.101C	CD062.501	NIS9163.703	
NISSAN	PATROL	81 - 12/87	(MQ) SWB 5 SEAT SUV			CD063.702	
NISSAN	PATROL	81 - 12/87	(MQ) LWB 6 SEAT SUV	CD065.301		CD065.701	
NISSAN	PATROL	09/84 - 87	(MQ) 4WD DIESEL SINGLE CAB	CD061.101C			
NISSAN	PATROL	02/88 - 91	(GQ) DX, ST HARD TOP 5 SEAT	CD067.101		CD067.702	
NISSAN	PATROL	02/88 - 02/92	(GQ) DX 6 SEAT SUV	CD069.401		CD069.702	
NISSAN	PATROL	02/88 - 02/92	(GQ) ST 7 SEAT SUV	CD067.101	CD075.503	NIS9093.703	
NISSAN	PATROL	02/88 - 02/92	(GQ) ST 4WD 7 SEAT SUV	CD067.101	CD076.709	NIS9093.703	
NISSAN	PATROL	02/88 - 02/92	(GQ) 4WD 5 SEAT SUV	CD067.101		CD077.704	
NISSAN	PATROL	02/88 - 04/99	(GQ) SINGLE CAB	CD069.401			
NISSAN	PATROL	92 - 12/95	(GQ) DX, ST HARD TOP	CD067.101		CD077.704	
NISSAN	PATROL	09/92 - 12/97	(GQ) TI LWB 7 SEAT SUV	CD078.101A	CD078.709	NIS9093.703	
NISSAN	PATROL	09/92 - 12/97	(GQ) TI LWB 7 SEAT SUV	CD079.102B	CD079.709	NIS9164.704	LEATHER SEATS
NISSAN	PATROL	02/92 - 12/97	(GQ) 5 SEAT SUV	CD067.101		CD081.701	
NISSAN	PATROL	02/92 - 12/97	(GQ) RX, ST 7 SEAT SUV	CD082.102B	CD079.709	NIS9165.704	
NISSAN	PATROL	02/92 - 04/99	(GQ) SINGLE CAB	CD067.101			
NISSAN	PATROL	11/97 - 02/00	(GU) ST, TI 7 SEAT SUV	CD083.102B	NIS5380.842	NIS9166.709	RM5380 - GBB
NISSAN	PATROL	11/97 - 09/04	(GU) DX, DX5 5 SEAT SUV	CD074.102D		CD074.937	
NISSAN	PATROL	05/99 - 09/07	(GU, Y61) DX UTE	NIS1503.401			

MAKE	MODEL	YEAR	SERIES & SUB MODEL	Front Pattern Number	Middle Pattern Number	Rear Pattern Number	Notes
NISSAN	PATROL	05/99 - 10/17	(GU, Y61) ST UTE	CD200.102B			
NISSAN	PATROL	03/00 - 09/04	(GU) ST, TI SUV	CD202.102	NIS5380.842	NIS9166.709	RM5380 - GBB
NISSAN	PATROL	10/04 - 10/17	(GU, Y61) ST 7 SEAT SUV	NIS1009.102C	NIS5039.842	NIS9001.709D	RM1009 & RM5039 - G2B, TRG. RM9001 - TRG. SECOND ROW ARMRESTS COVERED & ALLOW FOR CUP HOLDER. AO AVAILABLE.
NISSAN	PATROL	10/04 - 10/17	(GU, Y61) DX, WALKABOUT 5 SEAT SUV	CD220.102D		CD220.865	
NISSAN	PATROL	10/04 - 10/17	(GU, Y61) ST-S, ST-L, TI 7 SEAT SUV	CD221.102C	NIS5039.842	NIS9001.709D	RM5039 - G2B, TRG. RM9001 - TRG. SECOND ROW ARMRESTS COVERED & ALLOW FOR CUP HOLDER. AO AVAILABLE 5039 & 9001.
NISSAN	PATROL	10/07 - 10/17	(GU, Y61) DX, ST UTE	CD204.401B			
NISSAN	PATROL	02/13 - CURRENT	(Y62) ST-L, TI, WARRIOR 8 SEAT SUV	NIS1495.102C	NIS5376.518	NIS9167.981	RM1495 - GBB. RM5376 - G2B, GBB
NISSAN	PATROL	02/13 - CURRENT	(Y62) TI-L SUV	NIS1529.102C	NIS5376.518	NIS9167.981	RM5376 - G2B, GBB. INCLUDES DVD ALLOWANCE
NISSAN	PINTARA	06/86 - 11/89	(R31) GX, GXE SEDAN	CD101.101		CD101.804	
NISSAN	PINTARA	06/86 - 12/90	(R31) GX, GXE, GLI, EXECUTIVE WAGON	CD100.101		CD100.814	
NISSAN	PINTARA	11/89 - 01/92	(U12) TI, TRX SEDAN	CD103.108A		CD103.847	
NISSAN	PINTARA	11/89 - 10/92	T SEDAN			CD102.831	
NISSAN	PINTARA	11/89 - 10/92	(U12) GLI SEDAN	CD106.101A		CD106.701	SEAT BELT THROUGH BASE
NISSAN	PINTARA	11/90 - 10/92	(U12) GLI, T, EXECUTIVE HATCH			CD104.846	
NISSAN	PINTARA	11/90 - 10/92	(U12) TI SUPER HATCH			CD105.847	
NISSAN	PRAIRIE	08/82 - 09/88	(M10) WAGON	CD070.101C	CD070.501	NIS9168.701	
NISSAN	PULSAR	10/81 - 07/87	(N12) ALL BADGES 4DR HATCH			CD012.806	
NISSAN	PULSAR	10/83 - 12/86	(N12) EXA COUPE			CD015.702	
NISSAN	PULSAR	04/86 - 88	(N13) ALL BADGES SEDAN			CD018.808	
NISSAN	PULSAR	01/87 - 91	(N13) EXA COUPE	CD016.108		CD016.701	COVER AS MOULDED
NISSAN	PULSAR	07/87 - 09/91	(N13, N14) ALL BADGES 4DR HATCH			CD017.829	
NISSAN	PULSAR	88 - 09/91	(N13) ALL BADGES SEDAN			CD019.829	
NISSAN	PULSAR	06/89 - 09/91	(N13) GL HATCH	CD144.111		CD144.829	
NISSAN	PULSAR	90 - 90	(N13) REEBOK LIMITED EDITION 4DR HATCH	CD143.108		CD143.808	
NISSAN	PULSAR	08/90 - 05/93	(N14) ALL BADGES SEDAN	CD144.111		CD147.509	
NISSAN	PULSAR	10/91 - 12/92	(N14) GLI SEDAN	CD144.111		CD144.829	
NISSAN	PULSAR	10/91 - 09/95	(N13, N14) Q HATCH	CD144.111		CD146.508	
NISSAN	PULSAR	10/91 - 09/95	(N14) TI, LX SEDAN			CD150.808	
NISSAN	PULSAR	10/91 - 09/95	(N14) LX, SOLAIRE HATCH			CD146.508	
NISSAN	PULSAR	10/91 - 09/95	(N14) TI, SSS HATCH	CD144.111		CD147.509	
NISSAN	PULSAR	10/95 - 09/00	(N15) LX, PLUS SEDAN	CD153.102C		CD153.829	
NISSAN	PULSAR	10/95 - 09/00	(N15) Q, SSS 4DR HATCH	CD154.102		CD154.509	
NISSAN	PULSAR	10/95 - 09/00	(N15) LX HATCH	CD154.102		CD155.508	
NISSAN	PULSAR	10/95 - 09/00	(N15) SLX SEDAN	CD153.102C		CD156.871	
NISSAN	PULSAR	07/99 - 01/06	(N16) Q, TI SEDAN	CD157.102C		CD157.803	
NISSAN	PULSAR	07/99 - 01/06	(N16) LX, ST, ST-L SEDAN	CD157.102C		CD158.701	
NISSAN	PULSAR	06/01 - 01/06	(N16) Q, ST HATCH	CD159.101A		CD159.887	
NISSAN	PULSAR	06/01 - 01/06	(N16 SERIES 2) Q, ST HATCH	CD163.102C		CD163.896	
NISSAN	PULSAR	11/12 - 05/18	(B17) ST SEDAN	CD175.102C		CD175.903	
NISSAN	PULSAR	06/13 - 05/18	(C12) ST 4DR HATCH	CD175.102C		CD176.1015	
NISSAN	PULSAR	06/13 - 05/18	(C12) ST-L, ST-S, SSS 4DR HATCH	CD175.102C		CD177.924	
NISSAN	QASHQAI	07/14 - 11/17	(J11 SERIES 1) TI, TS, TL SUV	CD225.102C		CD225.1024	
NISSAN	QASHQAI	07/14 - 06/22	(J11) ST, ST+ SUV	NIS1047.102C		NIS5050.966	RM - G2B, WEB
NISSAN	QASHQAI	12/17 - 06/22	(J11 SERIES2) TI SUV	CD236.105		CD225.1024	
NISSAN	QASHQAI	12/17 - 06/22	(J11) N-TEC, ST-L SUV	CD237.105		CD225.1024	
NISSAN	QASHQAI	06/22 - CURRENT	(J12) ST, ST+, ST-L, TI COUPE	NIS1425.105		NIS5339.1104	
NISSAN	SERENA	92 - 05/99	(C23) ST, TI VAN	CD160.101	CD160.709	NIS9169.709	
NISSAN	SKYLINE	08/81 - 08/95	(R30) HATCH			CD020.707	

MAKE	MODEL	YEAR	SERIES & SUB MODEL	Front Pattern Number	Middle Pattern Number	Rear Pattern Number	Notes
NISSAN	SKYLINE	08/85 - 12/90	(R31) ALL BADGES SEDAN			CD021.804	
NISSAN	SKYLINE	08/85 - 12/90	(R31) GX, GXE WAGON	CD024.101		CD024.814	
NISSAN	TERRANO	09/95 - 06/00	(R20, R50) 4WD WAGON	CD190.102C	CD190.709	NIS9170.703	
NISSAN	TIIDA	02/06 - 04/13	(C11) ST-L HATCH	CD164.102C		CD166.874	
NISSAN	TIIDA	02/06 - 04/13	(C11) Q HATCH	CD164.102C		CD168.1002	
NISSAN	TIIDA	02/06 - 04/13	(C11) ST HATCH	CD164.102C		CD167.996	
NISSAN	TIIDA	02/06 - 01/13	(C11) ST-L SEDAN	CD164.102C		CD165.986	
NISSAN	TIIDA	02/06 - 01/13	(C11) ST SEDAN	CD164.102C		CD164.701	
NISSAN	UD	01/19 - CURRENT	CRONER TRUCK	NIS1354.178			AOF ONLY
NISSAN	UD	01/19 - CURRENT	QUON TRUCK	NIS1353.177			AOF ONLY
NISSAN	URVAN	74 - 80	(E20) COMMERCIAL VAN	CD050.302			
NISSAN	URVAN	81 - 86	(E23) STUBBI COMMERCIAL VAN	CD042.402			
NISSAN	URVAN	09/82 - 08/90	(E23, E24) SGL PEOPLE MOVER, MINIBUS	CD040.402	CD040.504	NIS9159.704	
NISSAN	URVAN	09/86 - 91	(E24) COMMERCIAL VAN	CD084.304			
NISSAN	URVAN	91 - 05/97	(E24) COMMERCIAL VAN	CD044.304			
NISSAN	UTE	07/88 - 09/92	(XFN) CENTREFOLD	CD142.205B			
NISSAN	VANETTE	80 - 11/88	(C120) COMMERCIAL VAN	CD088.303	CD088.705		
NISSAN	VANETTE	05/86 - 03/93	(C22) LARGO VAN	CD084.304	CD084.702		
NISSAN	VANETTE	05/86 - 03/93	(C22) LARGO VAN	CD086.110			
NISSAN	VANETTE	05/86 - 03/93	(C22) COMMERCIAL VAN	CD087.110		CD087.802	
NISSAN	X-TRAIL	10/00 - 03	(T30 SERIES 1) ST, ST-R, TI SUV	CD184.102A		CD184.509	FABRIC SEATS
NISSAN	X-TRAIL	10/00 - 03	(T30 SERIES 1) TI LUXURY SUV	CD184.102A		CD185.921	LEATHER SEATS
NISSAN	X-TRAIL	03 - 09/07	(T30 SERIES 2) ST, ST-X, ST-S, TI, TI-L SUV	CD187.102A		CD187.912	REAR ARM REST NOT COVERED
NISSAN	X-TRAIL	10/07 - 02/14	(T31) ST, ST-L, TL, TS, TI SUV	CD188.102A		CD188.1007	
NISSAN	X-TRAIL	03/14 - 08/22	(T32) ST, ST-L, TI, TL, TS 5 SEAT SUV	NIS1008.102C		NIS5005.1007	RM - EMB, G2B, GBB, WEB. PFM
NISSAN	X-TRAIL	03/14 - 08/22	(T32) ST, ST-L 7 SEAT SUV	NIS1008.102C	NIS5005.1007	NIS9171.931	RM1008 & RM5005 - EMB, G2B, GBB, WEB. PFM CD192.931
NISSAN	X-TRAIL	08/22 - CURRENT	(T33) ST-L, ST-L EPOWER, TI, TI EPOWER, TI-L, TI-L EPOWER 5 SEAT SUV	NIS1397.102C		NIS5323.1007	RM1397 - G2B, GBB, WEB. RM5323 - GBB
NISSAN	X-TRAIL	08/22 - CURRENT	(T33) ST 5 SEAT SUV	NIS1397.102C		NIS5365.1104	RM1397 - G2B, GBB, WEB
NISSAN	X-TRAIL	08/22 - CURRENT	(T33) ST, ST-L 4X4 7 SEAT SUV	NIS1397.102C	NIS5323.1007	NIS9045.931	RM1397 - G2B, GBB, WEB. RM5323 - GBB

MAKE	MODEL	YEAR	SERIES & SUB MODEL	Front Pattern Number	Middle Pattern Number	Rear Pattern Number	Notes
PEUGEOT	206	09/99 - 05	XT 4DR HATCH	PE002.102C		PE002.910	
PEUGEOT	206	05 - 06/07	HATCH	PE004.102C		PE004.978	
PEUGEOT	207	02/07 - 09/12	XT HDI WAGON	PE008.102C		PE008.991	
PEUGEOT	307	04 - 06/08	XS, XSE HDI TOURING WAGON	PE003.107C		PE003.912	
PEUGEOT	307	10/05 - 06/09	CC DYNAMIC CONVERTIBLE	PE006.102C		PE006.704	
PEUGEOT	308	02/08 - 07/11	HDI 4DR HATCH	PE010.102C		PE010.1000	
PEUGEOT	308	08/10 - 09/14	ACTIVE TOURING 7 SEAT WAGON	PE014.102C	PE014.990	PEU9171.931	
PEUGEOT	407	02/05 - 06/11	SEDAN	PE005.102C		PE005.978	
PEUGEOT	3008	07/17 - CURRENT	(P84) GT, GT LINE, GT SPORT SUV	PEU1104.121		PEU5102.987	
PEUGEOT	5008	01/18 - CURRENT	(P87) ALL BADGES, 7 SEAT SUV	PEU1388.121C	PEU5144.1092	PEU9042.931	
PEUGEOT	EXPERT	08/08 - 03/15	HDI - PROFESSIONAL, LWB, SWB VAN	PE009.407			
PEUGEOT	EXPERT	07/18 - 08/21	HDI - 115, 150, 180 VAN	PEU1214.127			
PEUGEOT	EXPERT	08/21 - CURRENT	(KO) CITY, PRO, SPORT VAN	PEU1355.176			
PEUGEOT	PARTNER	05/21 - CURRENT	(K9) PREMIUM, PRO VAN	PEU1448.313			

MAKE	MODEL	YEAR	SERIES & SUB MODEL	Front Pattern Number	Middle Pattern Number	Rear Pattern Number	Notes
POLESTAR	2	11/21 - CURRENT	ALL BADGES HATCH	POL1126.102D		POL5121.1032	

MAKE	MODEL	YEAR	SERIES & SUB MODEL	Front Pattern Number	Middle Pattern Number	Rear Pattern Number	Notes
PROTON	EXORA	10/13 - 12/16	(FZ) GXR WAGON	CP013.107	CP013.972	PRO9172.503	
PROTON	GEN 2	10/04 - 11/14	(CM) L LINE HATCH	CP009.140		CP009.975	
PROTON	PERSONA	11/96 - 11/00	GLI, XLI HATCH	CP001.101C		CP003.807	
PROTON	PERSONA	11/00 - 10/04	4DR HATCH	CP007.102C		CP007.807	
PROTON	PERSONA	03/08 - 11/14	ELEGANCE, G, GX SEDAN	CP011.102C		CP011.975	
PROTON	S16	10/09 - 11/14	(BT) SEDAN	CP012.102C		CP012.802	
PROTON	SATRIA	02/97 - 09/99	GL, GLI 2DR HATCH	CP002.101		CP002.802	
PROTON	SATRIA	02/97 - 01/05	(C90) XLI HATCH			CP006.503	
PROTON	SATRIA	09/99 - 01/05	GLI, GLI 2DR HATCH	CP005.102		CP005.709	
PROTON	WIRA	95 - 96	XLI HATCH	CP001.101C		CP001.872	
PROTON	WIRA	95 - 96	XLI SEDAN	CP004.102		CP004.862	

MAKE	MODEL	YEAR	SERIES & SUB MODEL	Front Pattern Number	Middle Pattern Number	Rear Pattern Number	Notes
RAM	1500	06/18 - CURRENT	(1500) EXPRESS, WARLOCK DUAL CAB	RAM1061.101		RAM5057.1078	RM1061 - GBB, TRB. RM5057 - GBB, TRB, TRG
RAM	1500	06/18 - CURRENT	(1500) EXPRESS 6 SEAT DUAL CAB	RAM1059.305		RAM5057.1078	RM1059 - GBB. RM5057 - GBB, TRB, TRG
RAM	1500	20 - CURRENT	(1500) WARLOCK DUAL CAB	RAM1061.101		RAM5058.1001	RM1061 - GBB, TRB. RM5058 - G2B
RAM	1500	06/18 - 03/21	(1500) LARAMIE 5 SEAT DUAL CAB	RAM1062.111		RAM5058.1001	RM - G2B. REAR BASE HAS CUT OUT AT CENTRE SEAT, REFER TO IMAGE 1001
RAM	1500	06/21 - CURRENT	(1500) BIG HORN MHEV 5 SEAT MEGA DUAL CAB	RAM1513.111		RAM5383.529	
RAM	1500	06/21 - CURRENT	(1500) BIG HORN MHEV 6 SEAT MEGA DUAL CAB	RAM1640.254		RAM5383.529	CONSOLE & DRINK HOLDERS ON TOP OF FRONT FOLDING CENTRE BACKREST NOT ALLOWED FOR
RAM	1500	08/21 - CURRENT	(1500) LARAMIE, LIMITED & TRX DUAL CAB	RAM1362.121		RAM5313.1141	
RAM	2500	06/18 - 03/21	(2500) LARAMIE 5 SEAT DUAL CAB	RAM1062.111		RAM5058.1001	RM - G2B. REAR BASE HAS CUT OUT AT CENTRE SEAT, REFER TO IMAGE 1001
RAM	2500	06/18 - 03/21	(2500) LARAMIE 6 SEAT DUAL CAB	RAM1060.141		RAM5058.1001	RM5058 - G2B. REAR BASE HAS CUT OUT AT CENTRE SEAT, REFER TO IMAGE 1001
RAM	3500	06/18 - 03/21	(3500) LARAMIE 5 SEAT DUAL CAB	RAM1062.111		RAM5058.1001	RM - G2B. REAR BASE HAS CUT OUT AT CENTRE SEAT, REFER TO IMAGE 1001
RAM	3500	06/18 - 03/21	(3500) LARAMIE 6 SEAT DUAL CAB	RAM1060.141		RAM5058.1001	RM5058 - G2B. REAR BASE HAS CUT OUT AT CENTRE SEAT, REFER TO IMAGE 1001

MAKE	MODEL	YEAR	SERIES & SUB MODEL	Front Pattern Number	Middle Pattern Number	Rear Pattern Number	Notes
RENAULT	CAPTUR	02/15 - 09/17	(J87) DYNAMIQUE, EXPRESSION SUV	REN1314.111		REN5265.966	
RENAULT	CAPTUR	02/18 - 10/20	(J87) ALL BADGES SUV	REN1314.111		REN5265.966	
RENAULT	CAPTUR	02/21 - CURRENT	(XJB) ALL BADGES SUV	REN1323.102D		REN5273.985	
RENAULT	KANGOO	12/10 - 02/22	(X61) VAN	RE001.102C			TO SUIT REMOVABLE HEADRESTS
RENAULT	KANGOO	03/24 - CURRENT	(KFK, XFK) L1 SWB & L2 LWB VAN	REN1548.102C			AOF AVAILABLE
RENAULT	KOLEOS	09/08 - 08/16	(H45) ALL BADGES SUV WITH TRAY ALLOWANCE ON BACK OF FRONT SEATS	REN1089.102C		REN5087.1022	TRAY ALLOWANCE ON BACK OF FRONT SEATS. REAR ARM REST NOT COVERED
RENAULT	KOLEOS	09/08 - 08/16	(H45) ALL BADGES SUV WITHOUT TRAY ALLOWANCE ON BACK OF FRONT SEATS	REN1228.102C		REN5087.1022	REAR ARM REST NOT COVERED
RENAULT	KOLEOS	08/16 - 10/20	(HZG) INTENS SUV	RE007.102C		RE007.995	
RENAULT	KOLEOS	03/23 - 09/23	(HZG) ICONIC SUV	RE007.102C		RE007.995	
RENAULT	MASTER	09/13 - 01/15	(X62) LWB DUAL CAB	RE002.414		RE002.1058	
RENAULT	MASTER	09/13 - CURRENT	(X62) VAN	REN1496.138			
RENAULT	MASTER	02/14 - CURRENT	(X62) SWB VAN	REN1421.107C			
RENAULT	MASTER	10/19 - CURRENT	(X62) PRO ELWB VAN	REN1279.165			
RENAULT	TRAFIC	05/07 - 03/15	(X83) LWB VAN	RE003.407			
RENAULT	TRAFIC	04/15 - CURRENT	(X82) SWB & LWB VAN	REN1143.409			RM - G2B
RENAULT	TRAFIC	04/15 - CURRENT	(X82) SWB & LWB VAN	REN1335.414			RM - G2B
RENAULT	TRAFIC	05/17 - CURRENT	(X82) SWB & LWB VAN	REN1263.164			

MAKE	MODEL	YEAR	SERIES & SUB MODEL	Front Pattern Number	Middle Pattern Number	Rear Pattern Number	Notes
SAAB	900	01/86 - 09/91	16 GLE SEDAN			CC001.512	

MAKE	MODEL	YEAR	SERIES & SUB MODEL	Front Pattern Number	Middle Pattern Number	Rear Pattern Number	Notes
SCHEEL MANN	VARIO	21 - CURRENT	F MODEL, SINGLE SEAT, SUITS DRIVER OR PASSENGER WITH OPTIONAL DUAL ARMREST	SCH1416.200			AOF ONLY. SUITS WITH OR WITHOUT ARMREST/S

MAKE	MODEL	YEAR	SERIES & SUB MODEL	Front Pattern Number	Middle Pattern Number	Rear Pattern Number	Notes
SEARS	D55	N/A	TRACTOR	SEA1415.198			AOF ONLY. ARMRESTS NOT COVERED

MAKE	MODEL	YEAR	SERIES & SUB MODEL	Front Pattern Number	Middle Pattern Number	Rear Pattern Number	Notes
SINOTRUK	C7H	23 - CURRENT	540 SITRAK TRUCK	SIN1537.194			AOF ONLY
SINOTRUK	G5	24 - CURRENT	G5 SITRAK TRUCK	SIN1537.194			AOF ONLY
SINOTRUK	G7	24 - CURRENT	540 SITRAK TRUCK	SIN1536.189			AOF ONLY
SINOTRUK	T5G	24 - CURRENT	330 SITRAK TRUCK	SIN1536.189			AOF ONLY. MT100 AVAILABLE

MAKE	MODEL	YEAR	SERIES & SUB MODEL	Front Pattern Number	Middle Pattern Number	Rear Pattern Number	Notes
SKODA	KAMIQ	03/20 - CURRENT	(NW) 85 TSI ALL BADGES SUV	SKO1515.102C		SKO5384.944	
SKODA	KAROQ	12/17 - CURRENT	(NU) 110, STYLE TSI WAGON	SKO1221.121		SKO5207.914	SUITS WITH OR WITHOUT FRONT DVD / HANGER BRACKET
SKODA	KAROQ	07/19 - CURRENT	(NU) SPORTLINE WAGON	SKO1242.143		SKO5219.965	
SKODA	KODIAQ	05/17 - 10/24	(NS) 132 TSI SUV	SKO1238.102C	SKO5216.1119	SKO9030.976	
SKODA	KODIAQ	07/17 - 10/24	(NS) SPORTLINE, RS SUV	SKO1164.110	SKO5216.1119	SKO9030.976	
SKODA	OCTAVIA	07/15 - 12/20	(NE) 110 TSI, 110 TSI AMBITION, 110 TSI STYLE WAGON	SKO01.102C		SKO5056.965	SIDE BOLSTERS NOT COVERED DUE TO AIRBAGS
SKODA	OCTAVIA	11/16 - 09/18	(NE) RS169, RS230 HATCH & WAGON	SKO1058.110		SKO5056.965	SIDE BOLSTERS NOT COVERED DUE TO AIRBAGS
SKODA	OCTAVIA	11/16 - 12/20	(NE) 110 TSI SPORT LIFTBACK & WAGON	SKO1058.110		SKO5056.965	SIDE BOLSTERS NOT COVERED DUE TO AIRBAGS
SKODA	OCTAVIA	10/17 - 12/20	(NE) RS180, RS245 HATCH & WAGON	SKO1058.110		SKO5056.965	SIDE BOLSTERS NOT COVERED DUE TO AIRBAGS
SKODA	OCTAVIA	06/22 - CURRENT	(NX) 110 TSI STYLE WAGON	SKO1413.102C		SKO5333.965	
SKODA	OCTAVIA	06/22 - CURRENT	(NX) RS LIFTBACK & WAGON	SKO1473.228		SKO5333.965	
SKODA	RAPID SPACEBACK	05/14 - 10/20	(NH) 81 TSI, 90 TSI, 92 TSI WAGON	SKO1165.110		SKO5163.909	
SKODA	SUPERB	09/15 - 06/21	(NP) ALL BADGES SEDAN & WAGON (EXCLUDES SPORTLINE)	SKO1064.102C		SKO5060.965	SIDE BOLSTERS NOT COVERED DUE TO AIRBAGS
SKODA	SUPERB	06/21 - 12/24	(NP) SPORTLINE SEDAN & WAGON	SKO1510.110		SKO5060.965	SIDE BOLSTERS NOT COVERED DUE TO AIRBAGS

MAKE	MODEL	YEAR	SERIES & SUB MODEL	Front Pattern Number	Middle Pattern Number	Rear Pattern Number	Notes
SMART	FORTWO	01/04 - 01/08	2DR COUPE	ME010.110			

MAKE	MODEL	YEAR	SERIES & SUB MODEL	Front Pattern Number	Middle Pattern Number	Rear Pattern Number	Notes
SSANGYONG	ACTYON	03/07 - 02/12	(Q100) SPORTS DUAL CAB	CX006.102C		CX006.907	
SSANGYONG	KORANDO	02/11 - 02/18	(C200) S SUV	CX008.102C		CX008.1006	REAR ARMREST NOT COVERED
SSANGYONG	KORANDO	10/19 - CURRENT	(C300) ELX & ULTIMATE SUV	SSA1313.102C		SSA5263.965	
SSANGYONG	KORANDO	10/19 - CURRENT	(C300) EX SUV	SSA1313.102C		SSA5264.944	
SSANGYONG	KYRON	02/06 - 06/12	(D100) XDI SUV	CX005.102C		CX005.972	
SSANGYONG	MUSSO	07/96 - 12/02	4WD SUV			CX001.811	
SSANGYONG	MUSSO	05/04 - 09/07	SPORTS DUAL CAB	CX004.102C		CX004.520	
SSANGYONG	MUSSO	09/18 - CURRENT	(Q200, Q215, Q261) EX, ELX, ULTIMATE DUAL CAB	SSA1117.102		SSA5112.907	RM - GBB, TRB
SSANGYONG	REXTON	07/03 - 09/07	(Y200) RX320 4X4 SUV	CX003.102C		CX003.514	
SSANGYONG	REXTON	01/04 - 01/13	(Y200) RX270 7 SEAT SUV	CX003.102C	CX003.514	SSA9173.702	
SSANGYONG	REXTON	12/20 - CURRENT	(Y450) ELX, ULTIMATE SUV	SSA1391.102C	SSA5320.1022	SSA9056.1090	AIRBAGS FRONT & MIDDLE
SSANGYONG	RHINO	09/18 - CURRENT	(Y400) ALL BADGES DUAL CAB	SSA1117.102		SSA5112.907	RM - GBB, TRB
SSANGYONG	STAVIC	11/05 - 04/13	(A100) SV270 WAGON	CX002.102C	CX002.408	SSA9174.982	
SSANGYONG	TIVOLI	05/15 - 10/20	(X100) ALL BADGES SUV	SSA1201.102C		SSA5193.1032	
SSANGYONG	TIVOLI XLV	11/18 - 10/20	(X100) ALL BADGES SUV	SSA1201.102C		SSA5193.1032	

MAKE	MODEL	YEAR	SERIES & SUB MODEL	Front Pattern Number	Middle Pattern Number	Rear Pattern Number	Notes
STRATOS	785	CURRENT	DRIVER SEAT ONLY (EXCLUDES INTEGRATED SEATBELT)	STR1367.190			FRONT CONVERTED FROM CG482
STRATOS	3000 LTSS	CURRENT	DRIVER & PASSENGER SUSPENSION BUCKET SEATS WITH INNER ARMRESTS	STR1293.166			A/O ONLY
STRATOS	3000 LTSS	CURRENT	DRIVER & PASSENGER SUSPENSION BUCKET SEATS	STR1294.108C			RM - CVC. A/O ONLY

MAKE	MODEL	YEAR	SERIES & SUB MODEL	Front Pattern Number	Middle Pattern Number	Rear Pattern Number	Notes
SUBARU	BRUMBY	10/80 - 03/94	2DR UTE	CA012.104			
SUBARU	BRZ	06/12 - 10/21	(ZC, Z10) STI SE, PREMIUM 2DR COUPE	CT455.121		CT455.958	
SUBARU	BRZ	10/21 - CURRENT	(ZD, Z11) S 2DR COUPE	SUB1450.216		SUB5359.958	
SUBARU	CROSSTREK	01/23 - CURRENT	(GU) ALL BADGES SUV	SUB1438.111		SUB5350.723	RM1438 - G2B, GBB, WEB. RM5350 - G2B, GBB
SUBARU	DL	05/76 - 11/84	WAGON			CA013.702	
SUBARU	DL	10/80 - 11/84	TOURING WAGON	CA001.101C		CA001.707	
SUBARU	DL	12/84 - 87	TOURING WAGON	CA001.101C		CA002.708	
SUBARU	DL	12/84 - 87	WAGON	CA001.101C		CA003.702	
SUBARU	DL	12/84 - 95	GL WAGON	CA007.101C		CA007.806	
SUBARU	DL	87 - 95	WAGON			CA004.806	
SUBARU	FORESTER	08/97 - 08/98	(SF) 4WD WAGON	CA009.107A		CA009.811	
SUBARU	FORESTER	08/98 - 07/02	(SF) GT, LTD WAGON	CA060.107		CA060.905	SEATBELT HOLES SIDE TO SIDE, NO MAP POCKETS
SUBARU	FORESTER	07/02 - 06/05	(SG) X, XS 4WD WAGON	CA061.107D		CA061.944	SEATBELT HOLES FRONT TO BACK, FRONT MAP POCKETS
SUBARU	FORESTER	07/05 - 02/08	(SG) X, XS, XT 4X4 WAGON	CA062.107D		CA061.944	
SUBARU	FORESTER	07/05 - 02/08	(SG) X 4X4 WAGON	CA080.102D		CA061.944	
SUBARU	FORESTER	03/08 - 01/13	(SH, S12) SERIES 3 X WAGON	CA082.102D		CA082.1013	
SUBARU	FORESTER	03/08 - 01/13	(SH, S12) SERIES 3 XS, XS PREMIUM, XT, S EDITION WAGON	CA082.102D		CA083.1029	REAR ARMREST NOT COVERED
SUBARU	FORESTER	01/13 - 09/18	(SJ, S13) SERIES 4 ALL BADGES WAGON	SUB1077.102C		SUB5074.1032	RM1077 - EMB, G2B, WEB. RM5074 - G2B, WEB.
SUBARU	FORESTER	09/18 - 05/25	(SK, S14) SERIES 5 ALL BADGES SUV	SUB1098.121		SUB5097.1032	RM - G2B, GBB
SUBARU	FORESTER	05/25 - CURRENT	(SL, S15, S6) HYBRID NO BADGE SUV	SUB1654.102C		SUB5474.723	
SUBARU	FORESTER	05/25 - CURRENT	(SL, S15, S6) HYBRID SPORT, HYBRID TOURING	SUB1658.102C		SUB5474.723	
SUBARU	FORESTER	05/25 - CURRENT	(SL, S15, S6) 2.5i NO BADGE SUV	SUB1654.102C		SUB5474.723	
SUBARU	FORESTER	05/25 - CURRENT	(SL, S15, S6) 2.5i PREMIUM, 2.5i SPORT, 2.5i TOURING SUV	SUB1658.102C		SUB5474.723	
SUBARU	IMPREZA	04/93 - 94	(GF) GX, WRX WAGON	CA030.102C		CA032.711	
SUBARU	IMPREZA	04/93 - 11/96	(GC) GX SEDAN	CA030.102C		CA031.712	
SUBARU	IMPREZA	04/93 - 09/98	(GC) LX SEDAN	CA030.102C		CA030.802	
SUBARU	IMPREZA	02/94 - 10/00	(GF) GX, WRX WAGON	CA030.102C		CA031.712	
SUBARU	IMPREZA	02/94 - 10/00	(GC) WRX SEDAN	CA037.140		CA031.712	
SUBARU	IMPREZA	02/94 - 10/00	(GF) WRX WAGON	CA037.140		CA032.711	
SUBARU	IMPREZA	08/94 - 10/00	(GF) SPORTSWAGON, LX, RX WAGON	CA030.102C		CA032.711	
SUBARU	IMPREZA	96 - 10/00	(GC) GX, RX SEDAN	CA008.101C		CA031.712	
SUBARU	IMPREZA	10/00 - 11/02	(GD) WRX SEDAN	CA043.140		CA041.803	
SUBARU	IMPREZA	10/00 - 11/02	(GG) WRX WAGON	CA042.140		CA042.915	
SUBARU	IMPREZA	10/00 - 08/04	(GD) RX SEDAN	CA039.102		CA031.712	
SUBARU	IMPREZA	10/00 - 09/05	(GG) GX WAGON	CA041.102C		CA042.915	
SUBARU	IMPREZA	10/00 - 09/05	(GD) GX SEDAN	CA041.102C		CA041.803	
SUBARU	IMPREZA	05/01 - 08/07	(GG) RV WAGON	CA046.102C		CA042.915	
SUBARU	IMPREZA	10/01 - 09/05	(GD) RS SEDAN	CA043.140		CA041.803	
SUBARU	IMPREZA	02 - 04	(GD) RX, GX SEDAN	CA047.102D		CA041.803	
SUBARU	IMPREZA	12/02 - 09/05	(GD) WRX SEDAN	CA048.140		CA041.803	
SUBARU	IMPREZA	08/04 - 08/07	(GG) RS, LUXURY WAGON	CA048.140		CA041.803	
SUBARU	IMPREZA	10/05 - 09/07	(GD) R SEDAN	CA089.102D		CA041.803	
SUBARU	IMPREZA	08/07 - 03/12	(G3) R HATCH	SUB1042.102C		SUB5044.1046	RM1042 - G2B. RM5044 - G2B, WEB.
SUBARU	IMPREZA	08/07 - 03/12	(G3) RX HATCH	CA092.111		CA093.1023	
SUBARU	IMPREZA	09/07 - 03/12	(G3) RS HATCH	CA093.140		CA093.1023	
SUBARU	IMPREZA	10/07 - 10/09	(G3) WRX HATCH	CA048.140		CA091.915	
SUBARU	IMPREZA	09/08 - 01/12	(G3) R SEDAN	CA092.111		CA094.944	
SUBARU	IMPREZA	12/08 - 02/14	(G3) WRX SEDAN	CA093.140		CA094.944	
SUBARU	IMPREZA	10/09 - 11/11	(G3) WRX HATCH	CA093.140		CA093.1023	
SUBARU	IMPREZA	11/11 - 02/14	(G3) WRX HATCH	CA096.140		CA093.1023	

MAKE	MODEL	YEAR	SERIES & SUB MODEL	Front Pattern Number	Middle Pattern Number	Rear Pattern Number	Notes
SUBARU	IMPREZA	01/12 - 10/16	(G4 / GJ) ALL BADGES SEDAN	SUB1042.102C		CA097.965	RM1042 - G2B
SUBARU	IMPREZA	01/12 - 10/16	(G4 / GP) ALL BADGES HATCH	SUB1078.121		SUB5044.1046	RM1078 - G2B, GBB, WEB. RM5044 - G2B, WEB
SUBARU	IMPREZA	10/16 - 10/23	(G5 / GT) 2.0i, 2.0i-L, 2.0i-S, 2.0i-PREMIUM HATCH	SUB1078.121		SUB5075.965	RM1078 - G2B, GBB, WEB. RM5075 - G2B, WEB
SUBARU	IMPREZA	10/16 - 10/23	(G5 / GK) 2.0i, 2.0i-L, 2.0i-S, 2.0i-PREMIUM SEDAN	SUB1078.121		CA153.965	RM1078 - G2B, GBB, WEB.
SUBARU	IMPREZA	10/23 - CURRENT	(G6 / GU) 2.0L, 2.0R, 2.0S HATCH	SUB1438.111		SUB5350.723	RM1438 - G2B, GBB, WEB. RM5350 - G2B, GBB
SUBARU	LEGACY	10/89 - 07/96	(BC, BD) LX SEDAN	CA008.101C		CA021.804	
SUBARU	LEGACY	06/96 - 11/98	(BD) LX SEDAN	CA008.101C		CA027.804	
SUBARU	LEGACY	11/96 - 10/98	(BG) RX SEDAN	CA029.101B		CA029.897	
SUBARU	LEGACY	03/99 - 08/03	(BE) NO BADGE SEDAN	CA029.101B		CA050.903	
SUBARU	LEGACY	10/98 - 08/03	(BH) LIMITED WAGON	CA054.111		CA056.970	
SUBARU	LEGACY	09/03 - 08/09	(BP) 2.0i, 2.5i, 3.0R, 3.0R-B, GT WAGON	CA056.111		CA056.970	
SUBARU	LEGACY	09/03 - 08/09	(BL) 2.5i, GT SEDAN	CA057.111		CA057.907	
SUBARU	LEGACY	08/04 - 08/09	(BL) 3.0R SEDAN	CA059.111		CA057.907	
SUBARU	LEGACY	10/09 - 01/15	(BR) 2.5i, GT PREMIUM SEDAN	SUB1176.102C		CA087.1035	
SUBARU	LEGACY	10/14 - 08/20	(BN) B4 SEDAN	CA155.102C		CA155.1013	
SUBARU	LEONE	01/82 - 85	GL SEDAN	CA001.101C		CA010.802	
SUBARU	LEONE	86 - 94	GL SEDAN	CA001.101C		CA011.804	
SUBARU	LEVORG	06/14 - 10/20	(VM) GTS WAGON	CA151.121		CA151.1035	
SUBARU	LIBERTY	10/89 - 08/90	(BF) GX WAGON	CA020.101		CA020.504	WITH H/REST CONTROLS & MAP POCKETS
SUBARU	LIBERTY	10/89 - 91	(BC) GX SEDAN	CA020.101		CA021.804	WITH H/REST CONTROLS & MAP POCKETS
SUBARU	LIBERTY	10/89 - 11/96	(BC, BD) LX SEDAN	CA008.101C		CA021.804	
SUBARU	LIBERTY	06/89 - 09/98	(BF, BG) LX, ENDURO WAGON	CA008.101C		CA023.504	
SUBARU	LIBERTY	08/90 - 09/98	(BF, BG) LX, GX WAGON	CA008.101C		CA023.504	
SUBARU	LIBERTY	92 - 11/96	(BC, BD) GX SEDAN	CA008.101C		CA021.804	
SUBARU	LIBERTY	11/96 - 10/98	(BG) RX WAGON	CA029.101B		CA029.897	
SUBARU	LIBERTY	11/96 - 03/99	(BD) GX, LX SEDAN	CA008.101C		CA027.804	
SUBARU	LIBERTY	10/98 - 08/03	(BH) RX WAGON	CA054.111		CA056.970	
SUBARU	LIBERTY	03/99 - 01	(BH) GX WAGON	CA008.101C		CA051.504	
SUBARU	LIBERTY	03/99 - 08/03	(BE) GX SEDAN	CA029.101B		CA050.903	
SUBARU	LIBERTY	03/99 - 08/03	(BE) RX SEDAN	CA052.102D		CA053.945	
SUBARU	LIBERTY	02 - 08/03	(BH) GX WAGON	CA052.102D		CA052.905	
SUBARU	LIBERTY	09/03 - 08/09	(BP) ALL BADGES WAGON	CA056.111		CA056.970	
SUBARU	LIBERTY	09/03 - 08/09	(BL) 2.5i,GT SEDAN	CA057.111		CA057.907	
SUBARU	LIBERTY	04 - 09	(BL) SEDAN	CA052.102D		CA055.903	
SUBARU	LIBERTY	08/04 - 08/09	(BL) 3.0R SEDAN	CA059.111		CA057.907	
SUBARU	LIBERTY	10/09 - 12/14	(YA) EXIGA 6 SEAT WAGON	CA086.107C	CA086.1033	SUB9175.923	
SUBARU	LIBERTY	10/09 - 01/15	(BR) 2.5i, GT PREMIUM WAGON	SUB1176.102C		CA087.1035	RM1176 - G2B
SUBARU	LIBERTY	12/14 - 06/21	(BN) 2.5i SEDAN	CA155.102C		CA155.1013	
SUBARU	OUTBACK	10/96 - 10/98	(BG) WAGON	CA008.101C		CA008.876	
SUBARU	OUTBACK	10/98 - 00	(BH) WAGON	CA029.101B		CA029.897	
SUBARU	OUTBACK	01 - 02	(BH) WAGON			CA045.900	
SUBARU	OUTBACK	02 - 08/03	(BH) WAGON	CA052.102D		CA063.932	
SUBARU	OUTBACK	09/03 - 04	(BP) WAGON	CA064.102C		CA064.952	
SUBARU	OUTBACK	05 - 07/07	(BP) WAGON	CA064.102C		CA056.970	
SUBARU	OUTBACK	08/07 - 08/09	(BP) 2.5i WAGON	CA067.102C		CA056.970	
SUBARU	OUTBACK	08 - 08/09	(BP) 4X4 WAGON	CA068.102C		CA056.970	
SUBARU	OUTBACK	10/09 - 01/15	(BR) 2.0D, 2.5i, 3.6R WAGON	SUB1176.102C		CA101.1035	RM1176 - G2B
SUBARU	OUTBACK	12/14 - 12/20	(BS) 2.0D, 2.5i, 3.6R WAGON	SUB1176.102C		SUB5170.1035	RM - G2B
SUBARU	OUTBACK	12/20 - CURRENT	(BT) ALL BADGES WAGON	SUB1266.102C		SUB5235.1121	RM - GBB, GBG
SUBARU	SOLTERRA	11/23 - CURRENT	ALL BADGES SUV	SUB1545.216		SUB5395.1032	

MAKE	MODEL	YEAR	SERIES & SUB MODEL	Front Pattern Number	Middle Pattern Number	Rear Pattern Number	Notes
SUBARU	TRIBECA	11/06 - 01/14	3.0R, 3.6R 7 SEAT SUV	CA099.102C	CA099.1036	N/A	
SUBARU	WRX	03/14 - 02/22	(V1) BASE, PREMIUM, STI PREMIUM SEDAN	CA102.121		CA102.985	
SUBARU	WRX	04/14 - 02/22	(V1) STI SEDAN	SUB1078.121		CA153.965	RM1078 - G2B, GBB, WEB
SUBARU	WRX	02/22 - CURRENT	(VB) ALL BADGES SEDAN	SUB1423.121		SUB5337.1046	
SUBARU	XV	09/11 - 05/17	(G4X) 2.0i, 2.0i-L, 2.0i-S SUV	SUB1042.102C		SUB5044.1046	RM1042 - G2B. RM5044 - G2B, WEB.
SUBARU	XV	05/17 - 12/22	(G5X) 2.0i, 2.0i-L, 2.0i-S, 2.0i-PREMIUM SUV	SUB1078.121		SUB5075.965	RM1078 - G2B, GBB, WEB. RM5075 - G2B, WEB

MAKE	MODEL	YEAR	SERIES & SUB MODEL	Front Pattern Number	Middle Pattern Number	Rear Pattern Number	Notes
SUZUKI	AERIO	01/01 - 05/06	WAGON	CS107.107C		CS109.969	
SUZUKI	ALTO	95 - 99	(SH410) 4DR HATCH	CS070.102		CS070.703	
SUZUKI	ALTO	07/09 - 01/15	(GF) 4DR HATCH	CS071.110		CS071.976	
SUZUKI	APV	06/05 - 02/18	(GC416) VAN	CS098.101C			
SUZUKI	BALENO	04/95 - 99	(SY416) GLX SEDAN	CS060.102C		CS060.807	
SUZUKI	BALENO	04/95 - 11/01	(SY416) 2DR GLX HATCH	CS061.113		CS061.807	
SUZUKI	BALENO	03/96 - 99	(SY418) GTX SEDAN	CS061.113		CS060.807	
SUZUKI	BALENO	10/96 - 03	(SY418) GTX WAGON	CS064.101		CS060.807	
SUZUKI	BALENO	10/96 - 04	(SY416) GLX WAGON	CS063.102		CS060.807	
SUZUKI	BALENO	99 - 11/01	(SY416) SEDAN	CS064.101		CS060.807	
SUZUKI	BALENO	06/16 - 09/22	(EW) ALL BADGES HATCH	CS183.102C		CS183.1008	
SUZUKI	CARRY	03/99 - 09/04	(GA413) VAN	CS095.101C			
SUZUKI	FRONX	04/25 - CURRENT	GLX, HYBRID SUV	SUZ1624.102C		SUZ5445.1123	
SUZUKI	GRAND VITARA	04/98 - 99	(SQ420, SQ625) ALL BADGES V6 SUV	CS015.102		CS015.709	
SUZUKI	GRAND VITARA	99 - 02	(SQ420, SQ625) ALL BADGES SUV	CS015.102		CS016.709	
SUZUKI	GRAND VITARA	07/01 - 03	(JA627) XL7 LIMITED, XL7 TREKKER SUV	CS019.102A	CS017.921	SUZ9176.708	
SUZUKI	GRAND VITARA	02 - 08/05	(SQ420, SQ625) ALL BADGES SUV	CS018.102A		CS018.709	
SUZUKI	GRAND VITARA	03 - 01/06	(JA627) XL7 LIMITED, XL7 TREKKER SUV	CS027.102A	CS027.962	SUZ9177.708	
SUZUKI	GRAND VITARA	09/05 - 07/08	(JB416, JB420, JA627, JT) TREKKER SUV	CS028.102C		CS028.968	
SUZUKI	GRAND VITARA	08/08 - 01/19	(JB424, JT) ALL BADGES 4DR SUV	CS084.102C		CS028.968	
SUZUKI	GRAND VITARA	08/08 - 01/19	(JB419, JB424, JT) ALL BADGES 2DR SUV	CS084.102C		CS085.931	
SUZUKI	IGNIS	10/00 - 02/05	(RG413) GA HATCH	CS100.101A		CS100.708	
SUZUKI	IGNIS	10/00 - 02/05	(RG413) GL HATCH	CS100.101A		CS101.806	
SUZUKI	IGNIS	11/16 - CURRENT	(MF) GLX HATCH	CS182.102C		CS182.931	
SUZUKI	IGNIS	11/16 - CURRENT	(MF) GL HATCH	SUZ1153.101C		SUZ5150.1008	
SUZUKI	JIMNY	10/98 - 10/00	(SN413) ALL BADGES SUV	CS090.102A		CS090.709	
SUZUKI	JIMNY	10/05 - 01/19	(SN413) ALL BADGES SUV	CS091.102A		CS091.857	FRONT & REAR HEADREST NOT COVERED
SUZUKI	JIMNY	12/18 - CURRENT	(GJ) ALL BADGES SUV	SUZ1136.102C		SUZ5132.1090	RM1136 - EMB, GBB, TRB, TRG. RM5132 - GBB. AOF AVAILABLE FRONT ONLY.
SUZUKI	JIMNY	12/23 - CURRENT	(JJ) XL 4DR SUV	SUZ1136.102C		SUZ5362.821	RM1136 - EMB, GBB, TRB, TRG. RM5362 - GBB. AOF AVAILABLE FRONT ONLY.
SUZUKI	KIZASHI	05/10 - 06/16	(FR) XLS SEDAN	CS113.102C		CS113.913	REAR ARMREST NOT COVERED
SUZUKI	LIANA	10/01 - 08/04	(RH416) GLX, GS HATCH	CS105.102C		CS105.890	
SUZUKI	LIANA	09/02 - 02/04	(RH416) GLX, GS SEDAN	CS106.102C		CS106.944	
SUZUKI	LIANA	08/04 - 08/07	(RH418) GS SEDAN	CS107.107C		CS106.944	
SUZUKI	LIANA	08/04 - 08/07	(RH416, RH418) GS HATCH	CS107.107C		CS108.900	
SUZUKI	S-CROSS	01/14 - CURRENT	(JY) GL HATCH	SUZ1341.102C		SUZ5287.1008	
SUZUKI	S-CROSS	01/14 - CURRENT	(JY) ALL BADGES (EXCLUDES GL) HATCH	SUZ1341.102C		SUZ5286.1024	
SUZUKI	SIERRA	81 - 84	(SJ410) UTE	CS022.103			
SUZUKI	SIERRA	83 - 90	(SJ413) JX HARD TOP, JX SOFT TOP	CS001.101A		CS020.703	
SUZUKI	SIERRA	84 - 88	(SJ410) LWB UTE	CS001.101A		CS020.703	
SUZUKI	SIERRA	08/89 - 93	(SJ413) JX SOFT TOP	CS001.101A		CS023.503	
SUZUKI	SIERRA	95 - 09/96	(SJ413) ALL BADGES HARD TOP & SOFT TOP	CS024.110			
SUZUKI	SIERRA	09/96 - 05/99	(SJ413) ALL BADGES HARD TOP & SOFT TOP	CS025.101A		CS023.503	
SUZUKI	SUPER CARRY	85 - 90	(SK410) COMMERCIAL VAN	CS003.102		CS003.703	
SUZUKI	SUPER CARRY	85 - 90	(SK410) COMMERCIAL VAN			CS011.501	
SUZUKI	SUPER CARRY	85 - 90	(SK410) COMMERCIAL VAN	CS010.101C			
SUZUKI	SWIFT	01/85 - 03/87	(SA310) GA HATCH			CS042.806	
SUZUKI	SWIFT	1/85 - 12/89	(SA310, SA413) GL, GC HATCH			CS041.707	
SUZUKI	SWIFT	01/89 - 09/95	(SF413, SF416) GL, GLX SEDAN			CS046.813	
SUZUKI	SWIFT	01/89 - 05/95	(SF310) GA HATCH	CS044.110		CS042.806	
SUZUKI	SWIFT	01/89 - 96	(SF310) GL HATCH			CS043.707	

MAKE	MODEL	YEAR	SERIES & SUB MODEL	Front Pattern Number	Middle Pattern Number	Rear Pattern Number	Notes
SUZUKI	SWIFT	01/89 - 97	(SF413) GTI HATCH	CS044.110		CS042.806	
SUZUKI	SWIFT	05/94 - 95	(SF413) CINO 4DR HATCH	CS030.101		CS030.707	
SUZUKI	SWIFT	05/94 - 95	(SF413) CINO 2DR HATCH	CS031.110		CS031.806	
SUZUKI	SWIFT	96 - 12/99	(SF413) CINO FIORELLI 4DR HATCH	CS032.102C			
SUZUKI	SWIFT	96 - 12/99	(SF413) CINO 2DR HATCH	CS044.110		CS042.806	
SUZUKI	SWIFT	96 - 12/99	(SF413) CINO 4DR HATCH	CS048.101		CS048.707	
SUZUKI	SWIFT	97 - 12/99	(SF413) GTI HATCH	CS034.110		CS034.707	
SUZUKI	SWIFT	11/04 - 06	(RS415, RS416) Z SERIES HATCH	CS049.102C		CS049.947	
SUZUKI	SWIFT	11/04 - 01/11	(RS415) BEAT, EXTREME HATCH	CS049.102C		CS051.1008	
SUZUKI	SWIFT	09/05 - 01/11	(RS416, EZ) SPORT HATCH	CS052.110		CS051.1008	
SUZUKI	SWIFT	06 - 01/11	(RS415) Z SERIES HATCH	CS049.102C		CS050.984	
SUZUKI	SWIFT	02/11 - 06/17	(FZ) GL, RE2 HATCH	CS053.102C		CS053.1008	
SUZUKI	SWIFT	04/17 - 02/24	(AZ) GL, GLX TURBO HATCH	SUZ1305.102C		SUZ5258.1008	RM - GBB
SUZUKI	SWIFT	01/18 - 05/20	(AZ) SPORT HATCH	SUZ1063.110		SUZ5258.1008	RM5258 - GBB
SUZUKI	SWIFT	02/21 - 11/25	(AZ II, MY22) SPORT HATCH	SUZ1593.224		SUZ5258.1008	RM5258 - GBB
SUZUKI	SWIFT	03/24 - CURRENT	(UZ) HYBRID ALL BADGES HATCH	SUZ1305.102C		SUZ5258.1008	RM - GBB
SUZUKI	SX4	07/06 - 11/09	(RW420) HATCH	CS049.102C		CS050.984	
SUZUKI	SX4	09/07 - 11/14	(RW420) SEDAN	CS049.102C		CS176.1021	
SUZUKI	SX4	02/10 - 08/12	(RW420) HATCH	CS177.107C		CS177.1008	
SUZUKI	SX4	09/12 - 11/14	(RW420) HATCH	CS179.102C		CS177.1008	
SUZUKI	VITARA	07/88 - 91	(SE416) JX HARD TOP, JX SOFT TOP	CS001.101A		CS001.703	
SUZUKI	VITARA	07/88 - 91	(SE416) JLX HARD TOP, JLX SOFT TOP	CS001.101A		CS002.848	MOULDED HEADRESTS
SUZUKI	VITARA	91 - 04/00	(SE416) JLX, JX HARD TOP, JLX, JX SOFT TOP	CS008.102A		CS002.848	
SUZUKI	VITARA	08/91 - 96	(SE416) JLX ESTATE SUV	CS006.101		CS006.510	
SUZUKI	VITARA	08/91 - 96	(SE416) JX ESTATE SUV	CS008.102A		CS012.829	
SUZUKI	VITARA	08/91 - 12/98	(SE416) JX SUV	CS006.101		CS007.508	
SUZUKI	VITARA	96 - 12/98	(SE416) JX ESTATE SUV	CS006.101		CS012.829	
SUZUKI	VITARA	96 - 12/98	(SE416) JLX ESTATE SUV	CS014.102		CS014.887	
SUZUKI	VITARA	05/97 - 04/00	(SV420) JLX 2DR SUV	CS008.102A		CS013.848	
SUZUKI	VITARA	09/15 - CURRENT	(LY) RT-S, GL+, TURBO, S TURBO, TURBO ALLGRIP SUV	SUZ1304.102C		SUZ5257.1008	RM - GBB

MAKE	MODEL	YEAR	SERIES & SUB MODEL	Front Pattern Number	Middle Pattern Number	Rear Pattern Number	Notes
TECHSAFE	INTERLINE	22 - CURRENT	QUAD SEAT	N/A		TEC5351.526	AOF ONLY
TECHSAFE	INTERLINE	22 - CURRENT	QUAD SEAT WITH SENSOR POCKETS ON SEATS	N/A		TEC5355.526	AOF ONLY. SEATBELT SENSOR POCKET ON SEAT BASE.
TECHSAFE	SAFETYEXCEL TRIPLE	22 - CURRENT	TRIPLE VAN SEAT	N/A		TEC5423.1163	ARMRESTS NOT COVERED

MAKE	MODEL	YEAR	SERIES & SUB MODEL	Front Pattern Number	Middle Pattern Number	Rear Pattern Number	Notes
TESLA	Y	02/22 - CURRENT	MODEL Y SUV	TES1436.108		TESS347.722	

MAKE	MODEL	YEAR	SERIES & SUB MODEL	Front Pattern Number	Middle Pattern Number	Rear Pattern Number	Notes
THWAITES	DUMPER	22 - CURRENT	ALL MODELS, DUMPER	THW1483.179			SINGLE SEAT. A/O ONLY

MAKE	MODEL	YEAR	SERIES & SUB MODEL	Front Pattern Number	Middle Pattern Number	Rear Pattern Number	Notes
TOYOTA	86	06/12 - 06/22	(ZN6) GT, GTS 2DR COUPE	CT455.121		CT455.958	
TOYOTA	4 RUNNER	11/85 - 04/88	(LN, RN) SR5, STANDARD 2DR SUV	CT071.101C		CT071.709	
TOYOTA	4 RUNNER	05/88 - 10/89	(LN, YN) SR5 2DR SUV	CT072.101C		CT072.709	
TOYOTA	4 RUNNER	10/89 - 12/93	(LN, RN, YN, VZN) SR5 4DR SUV	CT072.101C		CT074.709	
TOYOTA	4 RUNNER	01/94 - 06/96	(LN, RN, YN, VZN) ALL BADGES 4DR SUV	CT074.101C		CT074.709	
TOYOTA	AQUA	12/11 - 07/21	(NHP10R) ALL BADGES	CT450.102C		CT450.1008	
TOYOTA	AURION	10/06 - 03/12	(GSV40R) AT-X, PRODIGY, PRESARA, TOURING SEDAN	CT333.102C		CT288.945	
TOYOTA	AURION	10/06 - 03/12	(GSV40R) SPORTIVO SX6, ZR6 SEDAN	CT288.111		CT288.945	
TOYOTA	AURION	04/12 - 08/17	(GSV50R) AT-X, PRODIGY, PRESARA, SPORTIVO SEDAN	TOY1032.102C		TOY5026.1043	RM1032 - G2B, EMB, WEB. RM5026 - G2B, WEB
TOYOTA	AURIS	10/09 - 08/12	(ZRE) 180G, RS HATCH	CT388.102C		CT389.972	
TOYOTA	AVALON	07/00 - 03/06	(MCX10) ALL BADGES SEDAN	CT226.102		CT228.803	
TOYOTA	AVALON	07/00 - 03/06	(MCX10) CSX, GRANDE, GXI, VXI SEDAN	CT226.102		CT226.907	
TOYOTA	AVENSIS	12/01 - 10/03	(ACM20R) VERSO GLX, VERSO ULTIMA PEOPLE MOVER	CT307.107C	CT307.890	TOY9058.865	
TOYOTA	AVENSIS	11/03 - 11/10	(ACM21R) VERSO GLX, VERSO ULTIMA PEOPLE MOVER	CT308.107C	CT308.978	TOY9058.865	
TOYOTA	AVENSIS	11/03 - 11/10	(ACM21R) VERSO GLX, VERSO ULTIMA PEOPLE MOVER	CT308.107C	CT309.932	TOY9058.865	
TOYOTA	BLADE	12/06 - 04/12	(AZE) ALL BADGES HATCH	CT388.102C		CT388.969	
TOYOTA	BLADE	12/06 - 04/12	(AZE) ALL BADGES HATCH	CT388.102C		CT389.972	
TOYOTA	CAMRY	08/82 - 07/86	(SV11) GLI HATCHBACK			CT050.815	
TOYOTA	CAMRY	08/86 - 06/91	(SV20, SV21, SV22) CS SEDAN	CT052.101A		CT052.846	
TOYOTA	CAMRY	05/87 - 06/91	(SV20, SV21) CS-X, ULTIMA SEDAN	CT052.101A		CT053.849A	
TOYOTA	CAMRY	05/87 - 08/89	(SV21) CS-X WAGON	CT052.101A		CT056.833	
TOYOTA	CAMRY	09/89 - 06/91	(SV21) CS-X WAGON	CT052.101A		CT052.846	
TOYOTA	CAMRY	07/91 - 03/93	(SV21) CS-X WAGON	CT057.101B		CT058.850	
TOYOTA	CAMRY	05/88 - 12/92	(SV21, SV22) EXECUTIVE WAGON	CT052.101A		CT052.846	
TOYOTA	CAMRY	05/87 - 06/91	(SV21, SV22) CS WAGON	CT052.101A		CT055.837	
TOYOTA	CAMRY	05/88 - 03/93	(SV21, SV22) EXECUTIVE SEDAN	CT062.101B		CT062.701	
TOYOTA	CAMRY	03/91 - 09/92	(SV21) CSI WAGON	CT057.101B		CT055.837	
TOYOTA	CAMRY	06/88 - 03/93	(SV21) V6 SEDAN	CT057.101B		CT057.847	
TOYOTA	CAMRY	07/91 - 12/92	(SV21) ULTIMA SEDAN	CT057.101B		CT057.847	
TOYOTA	CAMRY	05/91 - 09/92	(SV21) CSI SEDAN	CT057.101B		CT052.846	
TOYOTA	CAMRY	03/93 - 04/94	(SDV10) EXECUTIVE SEDAN	CT062.101B		CT067.809	
TOYOTA	CAMRY	03/93 - 09/95	(VDV10) VIENTA EXECUTIVE, VIENTA CSI WAGON	CT062.101B		CT063.837	
TOYOTA	CAMRY	03/93 - 09/95	(VDV10) VIENTA CSI, VIENTA EXECUTIVE SEDAN	CT062.101B		CT067.809	
TOYOTA	CAMRY	03/93 - 09/95	(VDV10) VIENTA CSX WAGON	CT062.101B		CT069.873	
TOYOTA	CAMRY	03/93 - 08/95	(SDV10, VDV10) ULTIMA, VIENTA ULTIMA SEDAN	CT065.101B		CT065.847	
TOYOTA	CAMRY	03/93 - 08/97	(SDV10) CSI, CS-X SEDAN	CT062.101B		CT221.847	60% LAPSASH
TOYOTA	CAMRY	03/93 - 03/98	(SDV10) EXECUTIVE, CSI WAGON	CT062.101B		CT063.837	
TOYOTA	CAMRY	08/97 - 08/02	(MCV20, SXV20) ADVANTAGE, CSI, INTRIGUE, TOURING SEDAN	CT222.102		CT222.882	
TOYOTA	CAMRY	08/97 - 08/02	(MCV20, SXV20) CSX, CONQUEST SEDAN	CT222.102		CT223.881	40% LAPSASH
TOYOTA	CAMRY	08/97 - 08/02	(MCV20, SXV20) CSI, CONQUEST SEDAN	CT222.102		CT224.883	40% LAPSASH
TOYOTA	CAMRY	05/98 - 08/02	(MCV20, SXV20) CSI, CONQUEST WAGON	CT222.102		CT225.891	
TOYOTA	CAMRY	09/02 - 06/06	(ACV36R, ACV40R) ALTISE SEDAN	CT215.102C		CT215.809	
TOYOTA	CAMRY	09/02 - 06/06	(MCV36) ATEVA SEDAN	CT216.102C		CT216.950	
TOYOTA	CAMRY	09/02 - 06/06	(ACV36R, MCV36R) AZURA, SPORTIVO SEDAN	CT217.102C		CT216.950	
TOYOTA	CAMRY	10/03 - 06/06	(MCV36R) ALTISE SPORT SEDAN	CT217.102C		CT216.950	
TOYOTA	CAMRY	07/06 - 01/12	(ACV40R) ALTISE, TOURING SE SEDAN	CT289.102C		CT287.993	
TOYOTA	CAMRY	07/06 - 01/12	(ACV40R) SPORTIVO SEDAN	CT288.111		CT288.945	
TOYOTA	CAMRY	07/06 - 01/12	(ACV40R) GRANDE, ATEVA SEDAN	CT289.102C		CT289.952	
TOYOTA	CAMRY	01/10 - 02/12	(AHV40R) HYBRID SEDAN	CT289.102C		CT289.952	

MAKE	MODEL	YEAR	SERIES & SUB MODEL	Front Pattern Number	Middle Pattern Number	Rear Pattern Number	Notes
TOYOTA	CAMRY	12/11 - 10/17	(ASV50R) ALTISE, ATARA, RZ SEDAN	TOY1032.102C		TOY5026.1043	RM1032 - G2B, EMB, WEB. RM5026 - G2B, WEB. PFM
TOYOTA	CAMRY	12/11 - 10/17	(AVV50R) HYBRID SEDAN	TOY1032.102C		CT401.1043	RM1032 - G2B, EMB, WEB.
TOYOTA	CAMRY	11/17 - 06/24	(70 SERIES) HYBRID - ASCENT, ASCENT SPORT, SL, SX SEDAN	TOY1177.121		TOY5171.1043	RM - EMB, GBB. PFM
TOYOTA	CAMRY	11/17 - 06/24	(70 SERIES) FUEL - ASCENT, ASCENT SPORT, SL, SX SEDAN	TOY1177.121		CT471.1043	RM1171 - EMB, GBB. PFM
TOYOTA	CAMRY	06/24 - CURRENT	(80 SERIES) HYBRID - ASCENT, ASCENT SPORT, SL SEDAN	TOY1575.121		TOY5411.1043	
TOYOTA	CELICA	75 - 79	(RA28) 2DR COUPE			CT048.702	
TOYOTA	CELICA	77 - 81	(RA40) LT 2DR COUPE			CT042.806	
TOYOTA	CELICA	77 - 81	(RA40) 2DR COUPE			CT047.702	
TOYOTA	CELICA	07/81 - 12/85	(MA61) LIFT BACK			CT040.707	
TOYOTA	CELICA	08/86 - 05/88	(ST162) SX, ST, XT 2DR LIFTBACK			CT043.806	
TOYOTA	CELICA	05/88 - 08/89	(STR162) SX LIFT BACK	CT041.105		CT041.806	OPT 6 WAT SPORT SEAT
TOYOTA	CELICA	05/88 - 08/89	(STR162) SX LIFT BACK	CT045.101A		CT045.806	
TOYOTA	CELICA	10/89 - 09/93	(ST185) LIFT BACK	CT046.102B			
TOYOTA	CELICA	03/94 - 97	(ST204) SX, ZR LIFT BACK	CT049.101		CT049.806	
TOYOTA	CELICA	09/94 - 08/99	(ST202) 2DR CONVERTIBLE	CT252.102C			
TOYOTA	CELICA	97 - 11/99	(ST204) ALL BADGES LIFTBACK	CT251.102C		CT251.806	
TOYOTA	CELICA	08/99 - 04/06	(ZZT231R) SX, ZR 2DR HATCH	CT253.140		CT253.707	
TOYOTA	C-HR	02/17 - 10/23	(NGX10R, NGX50R) KOBA 4DR WAGON	TOY1178.121		TOY5172.944	RM - WEB
TOYOTA	C-HR HYBRID	10/19 - 10/23	(ZYX10R) GRS, KOBA SUV	TOY1456.121		TOY5364.944	
TOYOTA	C-HR HYBRID	10/23 - CURRENT	(MAXH25R, ZYX20R) GR SPORT, GXL, KOBA SUV	N/A		TOY5364.944	
TOYOTA	COASTER	04/17 - CURRENT	(XZB70R) DELUXE, STANDARD 22 SEAT BUS	TOY1340.172	SEE NOTES	SEE NOTES	AOF PATTERN ONLY AVAILABLE. ROW 2 = TOY5280.1133 ROW 3 = TOY5281.1135 ROW 4, 5, 6 & 8 = TOY5282.1134 ROW 7 = TOY5283.1134
TOYOTA	COASTER	04/17 - CURRENT	(XZB70R) DELUXE & STANDARD WITH SEAT SENSOR POCKET UNDER BASE 22 SEAT BUS	TOY1340.172	SEE NOTES	SEE NOTES	AOF PATTERN ONLY AVAILABLE. ROW 2 = TOY5294.1133 ROW 3 = TOY5295.1135 ROW 4, 5, 6 & 8 = TOY5296.1134 ROW 7 = TOY5297.1134
TOYOTA	COROLLA	08/74 - 08/79	(KE30) ALL BADGES SEDAN			CT017.702	
TOYOTA	COROLLA	10/81 - 04/85	(KE70) ALL BADGES WAGON			CT001.702	
TOYOTA	COROLLA	10/81 - 04/85	(KE70) ALL BADGES SEDAN			CT002.802	
TOYOTA	COROLLA	09/85 - 05/89	(AE82) CS-X SECA HATCH	CT004.101		CT004.821	
TOYOTA	COROLLA	09/85 - 05/89	(AE82) CS SECA, SE HATCH			CT005.806	
TOYOTA	COROLLA	09/85 - 05/89	(AE82) S, CS HATCH			CT009.806	
TOYOTA	COROLLA	05/85 - 05/89	(AE82) ALL BADGES SEDAN			CT003.707	
TOYOTA	COROLLA	01/86 - 05/89	(AE82) TWIN CAM SECA HATCH			CT004.821	
TOYOTA	COROLLA	04/88 - 09/95	(AE95) SR5 WAGON	CT010.102		CT010.808	
TOYOTA	COROLLA	06/89 - 90	(AE90) SX HATCH			CT011.510	
TOYOTA	COROLLA	06/89 - 06/91	(AE90) SE HATCH			CT012.836	
TOYOTA	COROLLA	06/89 - 06/91	(AE90) CS SEDAN	CT010.102		CT013.808	
TOYOTA	COROLLA	06/89 - 07/91	(AE95) SECA, SECA CS LIFTBACK	CT014.102		CT014.829	
TOYOTA	COROLLA	06/89 - 94	(AE92, AE95) SECA CS-X LIFTBACK	CT014.102		CT015.510	
TOYOTA	COROLLA	06/89 - 09/94	(AE92) CS-X, CSI, CS SEDAN	CT014.102		CT016.808	
TOYOTA	COROLLA	09/94 - 06/96	(AE102R) RV SECA HATCH	CT014.102		CT014.829	
TOYOTA	COROLLA	09/94 - 12/99	(AE101R, AE102R) CONQUEST, CSI SEDAN	CT014.102		CT019.809	
TOYOTA	COROLLA	07/96 - 12/99	(AE102R) CONQUEST SECA HATCH	CT035.101C		CT035.808	
TOYOTA	COROLLA	09/96 - 12/99	(AE101R, AE102R) CSI SECA, CS-X SECA, RV SECA HATCH	CT034.102		CT034.808	
TOYOTA	COROLLA	11/98 - 12/99	(AE112R) CONQUEST LIFTBACK	CT037.102		CT037.896	
TOYOTA	COROLLA	11/99 - 11/01	(AE112R) ASCENT, CONQUEST SEDAN	CT037.102		CT038.717	
TOYOTA	COROLLA	11/99 - 11/01	(AE112R) ULTIMA SECA LIFTBACK	CT290.108C		CT037.896	
TOYOTA	COROLLA	11/99 - 11/01	(AE112R) ULTIMA SEDAN	CT290.108C			
TOYOTA	COROLLA	12/01 - 04	(ZZE122R) ASCENT, CONQUEST SEDAN	CT039.102C		CT039.926	

MAKE	MODEL	YEAR	SERIES & SUB MODEL	Front Pattern Number	Middle Pattern Number	Rear Pattern Number	Notes
TOYOTA	COROLLA	12/01 - 01/06	(ZZE122R) ASCENT SECA, CONQUEST SECA, ULTIMA SECA HATCH	CT292.102C		CT292.928	
TOYOTA	COROLLA	12/01 - 04/07	(ZZE122R) ASCENT, CONQUEST, LEVIN WAGON	CT039.102C		CT292.928	
TOYOTA	COROLLA	12/01 - 04/07	(ZZE122R) ULTIMA SEDAN			CT039.926	
TOYOTA	COROLLA	04 - 01/06	(ZZE122R) ASCENT, ASCENT SPORTS, CONQUEST SEDAN	CT295.102C		CT039.926	
TOYOTA	COROLLA	06/04 - 01/06	(ZZE122R) ASCENT SPORT SECA HATCH	CT296.102C		CT296.909	
TOYOTA	COROLLA	01/06 - 04/07	(ZZE122R) ASCENT SECA, ASCENT SPORT SECA, CONQUEST SECA HATCH	CT297.102C		CT292.928	
TOYOTA	COROLLA	01/06 - 04/07	(ZZE122R) ASCENT SEDAN	CT297.102C		CT039.926	
TOYOTA	COROLLA	05/07 - 09/12	(ZRE152R) ASCENT, CONQUEST, EDGE, LEVIN SX HATCH	CT388.102C		CT388.969	
TOYOTA	COROLLA	05/07 - 09/12	(ZRE152R) LEVIN SX, LEVIN ZR HATCH	CT388.102C		CT389.972	
TOYOTA	COROLLA	05/07 - 01/14	(ZRE152R) CONQUEST, ASCENT SEDAN	CT299.102C		CT299.950	
TOYOTA	COROLLA	10/12 - 05/15	(ZRE182R) LEVIN SX, LEVIN ZR HATCH	TOY1161.121C		TOY5025.965	RM5025 - G2B, WEB, PFM
TOYOTA	COROLLA	10/12 - 08/18	(ZRE182R) ASCENT, ASCENT SPORT, ZR HATCH	TOY1031.102C		TOY5025.965	RM - G2B, WEB, PFM
TOYOTA	COROLLA	12/13 - 08/19	(ZRE172R) ASCENT, SX, ZR SEDAN	CT394.102C		CT394.924	
TOYOTA	COROLLA	06/16 - 08/18	(ZWE186R) HYBRID HATCH	CT475.102C		CT475.965	PFM
TOYOTA	COROLLA	08/18 - CURRENT	(MZE12R) ASCENT SPORT, SX HATCH	TOY1302.121		CT480.1032	RM1302 - EMB, GBB, WEB
TOYOTA	COROLLA	08/18 - CURRENT	(ZWE211R, ZWE219R) HYBRID - ASCENT SPORT, SX HATCH	TOY1302.121		TOY5253.1032	RM1302 - EMB, GBB, WEB, RM5253 - EMB, GBB.
TOYOTA	COROLLA	08/18 - CURRENT	(MZE12R) ZR HATCH	TOY1096.105		CT480.1032	
TOYOTA	COROLLA	08/18 - CURRENT	(ZWE211R, ZWE219R) ZR HYBRID HATCH	TOY1096.105		TOY5253.1032	RM5253 - EMB, GBB.
TOYOTA	COROLLA	09/19 - CURRENT	(MZE12R) ZR SEDAN	TOY1342.105		TOY5293.1138	
TOYOTA	COROLLA	09/19 - CURRENT	(ZWE211R, ZWE219R) ZR HYBRID SEDAN	TOY1342.105		TOY5299.1138	
TOYOTA	COROLLA	09/19 - CURRENT	(ZWE211R, ZWE219R) HYBRID - ASCENT SPORT, SX SEDAN	TOY1302.121		TOY5196.1103	RM1302 - EMB, GBB, WEB
TOYOTA	COROLLA	09/19 - CURRENT	(MZE12R) ASCENT SPORT, SX SEDAN	TOY1302.121		TOY5197.1103	RM1302 - EMB, GBB, WEB
TOYOTA	COROLLA CROSS	07/22 - CURRENT	HYBRID ATMOS SUV	TOY1401.121		TOY5325.965	RM1401 - G2B, GBB, WEB
TOYOTA	COROLLA CROSS	07/22 - CURRENT	HYBRID GX, HYBRID GXL SUV	TOY1401.121		TOY5331.909	RM - G2B, GBB, WEB
TOYOTA	CORONA	74 - 83	(RT104, RT118, RT132, RT133) SE, CS SEDAN			CT020.802	
TOYOTA	CORONA	78 - 89	LIFT BACK			CT027.806	
TOYOTA	CORONA	08/83 - 04/87	(RT142, ST141) AVANTE, CS, CSX, CSI SEDAN			CT021.816	
TOYOTA	CORONA	08/83 - 04/87	(ST141) CS, S WAGON			CT025.806	
TOYOTA	CRESSIDA	81 - 88	(GX, LX, MX, RX, SX) GL, GLI SEDAN			CT113.803	
TOYOTA	CRESSIDA	81 - 88	(GX, LX, MX, RX, SX) MX73 GLXI SEDAN	CT116.101B		CT116.801	
TOYOTA	CRESSIDA	10/88 - 01/93	(MX83) GLX SEDAN	CT116.101B		CT116.801	
TOYOTA	CRESSIDA	10/88 - 01/93	GRANDE	CT116.101B		CT117.801	
TOYOTA	CROWN	66 - 71	SEDAN			CT112.805	
TOYOTA	CROWN	71 - 79	SEDAN	CT111.101		CT111.803	
TOYOTA	CROWN	08/83 - 08/87	(MS123) ROYAL SALOON SEDAN			CT113.803	
TOYOTA	DYNA	80 - 85	(RY31) TOYOACE 2DR BUS	CT205.302			
TOYOTA	DYNA	11/85 - 06/95	100-200 SERIES	CT200.400		CT200.701	
TOYOTA	DYNA	08/88 - 05/95	300 SERIES DUAL CAB	CT201.400		CT206.701	
TOYOTA	DYNA	05/95 - 07/01	100 -150 SERIES TRUCK	CT202.303			
TOYOTA	DYNA	05/99 - 01/04	200 LONG, 200 WIDE TRUCK	CT207.411			
TOYOTA	DYNA	12/99 - 01/04	200 SERIES TRUCK	CT203.410			
TOYOTA	ECHO	10/99 - 03	(NCP10R) HATCH	CT280.102C		CT280.896	
TOYOTA	ECHO	10/99 - 03	(NCP12R) SEDAN	CT280.102C		CT281.704	
TOYOTA	ECHO	03 - 10/05	(NCP12R) SEDAN	CT282.102C		CT282.887	
TOYOTA	ECHO	03 - 10/05	(NCP10R) HATCH	CT280.102C		CT283.896	REAR MID HEADREST SMALLER
TOYOTA	ESTIMA	01/92 - 12/99	(CXR, TCR) EMINA WAGON	CT029.102	CT029.505	TOY9059.709	
TOYOTA	FJ CRUISER	03/11 - 12/16	(GSJ15R) 4X4 WAGON	TOY1179.107C		CT384.969	RM1179 - G2B
TOYOTA	FORTUNER	11/15 - CURRENT	(GUN156R) ALL BADGES SUV	TOY1303.102C	TOY5256.987	TOY9060.931	RM1303 & RM5256 - G2B, GBB.

MAKE	MODEL	YEAR	SERIES & SUB MODEL	Front Pattern Number	Middle Pattern Number	Rear Pattern Number	Notes
TOYOTA	GRANVIA	07/19 - CURRENT	(GDH303) 6 & 8 SEAT STANDARD (EXCLUDES VX 2ND ROW) 4DR VAN	TOY1235.102C	TOY5214.1109	TOY9028.977	CONFIGURATION VARIES, REFER TO IMAGES. 8 SEAT MIDDLE ROWS ARE X 2 OF TOY5214.1109
TOYOTA	HIACE	71 - 85	CAB CHASSIS	CT141.308			
TOYOTA	HIACE	77 - 08/89	COMMERCIAL VAN	CT137.402			
TOYOTA	HIACE	12/82 - 83	COMMUTER BUS (5 ROWS)	TOY1560.305	TOY5402.501	TOY9061.701	ROW 1 = 1560, ROW 2, 3 & 4 = 5402, ROW 5 = 9061
TOYOTA	HIACE	83 - 01/84	COMMUTER BUS (5 ROWS)	TOY1560.305	TOY5402.501	TOY9062.702	ROW 1 = 1560, ROW 2, 3 & 4 = 5402, ROW 5 = 9062
TOYOTA	HIACE	08/87 - 08/89	WINDOW PEOPLE MOVER	TOY1560.305		CT136.704	
TOYOTA	HIACE	10/99 - 02/05	(100 SERIES) SBV	CT300.107C			
TOYOTA	HIACE	10/89 - 09/98	COMMERCIAL VAN	CT139.303		CT139.702	
TOYOTA	HIACE	10/89 - 02/05	COMMUTER BUS (5 ROWS)	TOY1561.303	TOY5403.501 TOY5404.501	TOY9063.702	ROW 1 = 1561, ROW 2 = 5403, ROW 3 & 4 = 5404, ROW 5 = 9063
TOYOTA	HIACE	09/98 - 07/04	COMMERCIAL VAN	CT148.405			
TOYOTA	HIACE	03/05 - 14	LWB, SLWB VAN BUCKET & 3/4 BENCH	TOY1025.304			RM - TRG. AO AVAILABLE. PFM
TOYOTA	HIACE	03/05 - 14	LWB, SLWB VAN, 3 BUCKET SEATS (SMALL CENTRE BUCKET)	CT302.402			PFM
TOYOTA	HIACE	01/05 - 01/19	(KDH, TRH) COMMUTER BUS 12 & 14 SEAT	TOY1034.110	TOY5387.1164 TOY5388.1009	TOY9057.1155	RM1034 - TRB, TRG. AO AVAILABLE 1034. ROW 2 = 5387, ROW 3 & 4 = 5388, ROW 5 = 9057. CONFIGURATIONS VARY, CHECK IMAGES.
TOYOTA	HIACE	01/05 - 01/19	(KDH) COMMUTER BUS 10 SEAT	TOY1034.110	TOY5284.1137 TOY5285.1136	TOY5285.1136	RM1034 - TRB, TRG. AO AVAILABLE 1034. VARIOUS SEAT CONFIGURATIONS AVAILABLE, PLEASE CHECK IMAGES. ROW 2 = 5284, ROW 3 & 4 = 5285
TOYOTA	HIACE	14 - 01/19	LWB CREW VAN	TOY1034.110		TOY5082.704	RM1034 - TRB, TRG. AO AVAILABLE 1034. PFM
TOYOTA	HIACE	14 - 01/19	LWB, SLWB VAN, BUCKET SEATS	TOY1034.110			RM1034 - TRB, TRG. AO AVAILABLE. PFM
TOYOTA	HIACE	02/15 - CURRENT	LWB VAN WITH FOLDING DICKIE SEAT	TOY1205.157			
TOYOTA	HIACE	02/19 - CURRENT	LWB & SLWB VAN 2 SEATS	TOY1121.102C			RM - EMB, G2B, STB, STC, TRB, TRG. AO AVAILABLE.
TOYOTA	HIACE	02/19 - CURRENT	LWB CREW VAN 5 SEATS	TOY1121.102C		TOY5118.896	RM1121 - EMB, G2B, STB, STC, TRB, TRG. AO AVAILABLE 1121.
TOYOTA	HIACE	02/19 - CURRENT	(GDH) SLWB & GL 12 SEAT COMMUTER BUS 5 ROWS	TOY1121.102C	TOY5119.821 TOY5309.1009 TOY5120.1009	TOY9014.821	RM1121 - EMB, G2B, STB, STC, TRB, TRG. AOF AVAILABLE ALL ROWS. ROW 1 = 1121, ROW 2 = 5119, ROW 3 = 5309, ROW 4 = 5120, ROW 5 = 9014
TOYOTA	HIACE	02/19 - CURRENT	(GDH) SLWB & GL 12 SEAT COMMUTER BUS 5 ROWS WITH SEAT SENSOR POCKET UNDER BASE	TOY1121.102C	TOY5300.821 TOY5308.1009 TOY5301.1009	TOY9041.821	RM1121 - EMB, G2B, STB, STC, TRB, TRG. AOF AVAILABLE ALL ROWS. ROW 2 - 5 ARE A/O ONLY (NO POLY PATTERN). ROW 1 = 1121, ROW 2 = 5300, ROW 3 = 5308, ROW 4 = 5301, ROW 5 = 9041
TOYOTA	HIACE	02/19 - CURRENT	(GDH) 11 SEAT COMMUTER BUS 4 ROWS	TOY1121.102C	TOY5119.821 TOY5248.1125	TOY9034.1126	RM1121 - EMB, G2B, STB, STC, TRB, TRG. AOF AVAILABLE 1121 & 5119. ROW 1 = 1121, ROW 2 = 5119, ROW 3 = 5248, ROW 4 = 9034
TOYOTA	HIACE	08/22 - CURRENT	(GDH) LWB & SLWB COMMERCIAL VAN	TOY1566.241		TEC5423.1163	FRONT FOLDING CENTRE SEAT WITH CUP HOLDERS. SECOND ROW IS AN AFTERMARKET TECHSAFE SAFETY EXCEL TRIPLE SEAT - ARMRESTS NOT COVERED
TOYOTA	HIACE	08/22 - CURRENT	(GDH) LWB & SLWB COMMERCIAL VAN	TOY1671.102C			AO & AOF AVAILABLE
TOYOTA	HILUX	11/81 - 10/83	(LN46) UTE	CT130.203			
TOYOTA	HILUX	11/81 - 10/83	(LN46) UTE	CT131.206			
TOYOTA	HILUX	01/83 - 09/88	DUAL CAB	CT132.401		CT132.701	
TOYOTA	HILUX	11/83 - 11/97	ALL BADGES 2WD UTILITY	TOY1613.203			
TOYOTA	HILUX	11/83 - 12/00	ALL BADGES 4WD UTILITY	CT152.203			
TOYOTA	HILUX	84 - 06/00	SURF WAGON	CT074.101C		CT074.709	
TOYOTA	HILUX	10/87 - 09/88	(YN58) CAB CHASSIS, UTE 4WD	CT132.401			
TOYOTA	HILUX	10/87 - 89	SR5 DUAL CAB			CT133.702	
TOYOTA	HILUX	10/87 - 89	UTE, CAB CHASSIS 2WD	CT153.401			
TOYOTA	HILUX	10/88 - 11/97	(80-90 SERIES) 2WD UTE, TRAY BACK	CT181.401			
TOYOTA	HILUX	10/88 - 11/97	(100 SERIES) 4WD UTE, TRAY BACK	CT182.401			
TOYOTA	HILUX	10/88 - 11/97	(90 SERIES) 2WD UTE	CT183.101			
TOYOTA	HILUX	10/88 - 11/97	DUAL CAB	CT183.101		CT183.701	
TOYOTA	HILUX	91 - 11/97	SR5 DUAL CAB 4WD			CT180.701	
TOYOTA	HILUX	09/91 - 11/97	(LN86) AUTOMATIC	CT188.301			
TOYOTA	HILUX	11/97 - 04/05	SINGLE CAB, BUCKET & 3/4 BENCH	TOY1507.401			
TOYOTA	HILUX	11/97 - 04/05	SINGLE CAB, BUCKET SEATS	CT190.102C			
TOYOTA	HILUX	11/97 - 04/05	EXTRA CAB	CT190.102C		CT190.958	
TOYOTA	HILUX	11/97 - 04/05	STANDARD DUAL CAB	CT190.102C		TOY5381.927	
TOYOTA	HILUX	11/97 - 04/05	SR5 DUAL CAB	CT184.102B		TOY5381.927	

MAKE	MODEL	YEAR	SERIES & SUB MODEL	Front Pattern Number	Middle Pattern Number	Rear Pattern Number	Notes
TOYOTA	HILUX	01 - 05	SR5 4WD DUAL CAB	CT189.102C			LUMBAR ALLOWANCE ON DRIVERS INSIDE
TOYOTA	HILUX	05/05 - 08/06	SR DUAL CAB	TOY1048.102C		CT303.974	RM1048 - G2B, TRB, TRG. AO AVAILABLE.
TOYOTA	HILUX	05/05 - 08/06	SR5 DUAL CAB	TOY1048.102C		TOY5023.998	RM - G2B, TRB, TRG. A/O AVAILABLE.
TOYOTA	HILUX	05/05 - 06/11	WORKMATE, SR SINGLE CAB, BUCKET SEATS	TOY1048.102C			RM - G2B, TRB, TRG. A/O AVAILABLE.
TOYOTA	HILUX	05/05 - 06/11	SR, SR5 EXTRA CAB	TOY1048.102C		CT190.958	RM1048 - G2B, TRB, TRG. AO AVAILABLE 1048.
TOYOTA	HILUX	05/05 - 06/15	WORKMATE, SR SINGLE CAB, BUCKET & 3/4 BENCH	TOY1026.301			RM - TRB, TRG. AO AVAILABLE.
TOYOTA	HILUX	05/05 - 09/15	WORKMATE DUAL CAB	TOY1026.301		TOY5023.998	RM1026 - TRB, TRG. RM5023 - G2B, TRB, TRG. AO AVAILABLE.
TOYOTA	HILUX	08/06 - 07/09	SR, SR5 DUAL CAB	TOY1048.102C		TOY5023.998	RM - G2B, TRB, TRG. AO AVAILABLE.
TOYOTA	HILUX	08/09 - 09/15	SR, SR5 DUAL CAB (4X2 ONLY)	TOY1048.102C		TOY5023.998	RM - G2B, TRB, TRG. AO AVAILABLE. CC10 - ANB & STC
TOYOTA	HILUX	08/09 - 09/15	SR, SR5 DUAL CAB (4X4 ONLY)	TOY1001.102C		TOY5023.998	RM1001 - G2B, GBB, TRB, TRG. RM5023 - G2B, TRB, TRG. AO AVAILABLE. CC10 - ANB & STC
TOYOTA	HILUX	07/11 - 09/15	SR, WORKMATE SINGLE CAB, BUCKET SEATS (4X2 ONLY)	TOY1048.102C			RM - G2B, TRB, TRG. AO AVAILABLE. CC10 - ANB & STC
TOYOTA	HILUX	07/11 - 09/15	SR, WORKMATE SINGLE CAB, BUCKET SEATS (4X4 ONLY)	TOY1001.102C			RM - G2B, GBB, TRB, TRG. AO AVAILABLE. CC10 - ANB & STC
TOYOTA	HILUX	07/11 - 09/15	SR, SR5 EXTRA CAB (4X2 ONLY)	TOY1048.102C		TOY5028.958	RM1048 - G2B, TRB, TRG. RM5028 - TRG. AO AVAILABLE. CC10 - ANB & STC
TOYOTA	HILUX	07/11 - 09/15	SR, SR5 EXTRA CAB (4X4 ONLY)	TOY1001.102C		TOY5028.958	RM1001 - G2B, GBB, TRB, TRG. RM5028 - TRG. AO AVAILABLE. CC10 - ANB & STC
TOYOTA	HILUX	10/15 - 08/25	(100 SERIES) ROGUE, RUGGED, RUGGED X, SR, SR5 DUAL CAB	TOY1005.102C		TOY5029.1061	RM1005 - G2B, GBB, GBL, RCB, STB, STC, TRB, TRG, WEB. RM5029 - G2B, GBB, STC, TRB, TRG, WEB. AOF AVAILABLE. PFM. CC01 - ANB & STC
TOYOTA	HILUX	10/15 - 08/25	(100 SERIES) SR, WORKMATE SINGLE CAB BUCKET SEATS	TOY1035.110			RM - G2B, GBB, STB, STC, TRB, TRG. AOF AVAILABLE.
TOYOTA	HILUX	10/15 - 08/25	(100 SERIES) SR, SR5, WORKMATE EXTRA CAB	TOY1005.102C		TOY5030.1062	RM1005 - G2B, GBB, GBL, RCB, STB, STC, TRB, TRG, WEB. RM5030 - TRG. AOF AVAILABLE.
TOYOTA	HILUX	10/15 - 08/25	(100 SERIES) WORKMATE DUAL CAB	TOY1005.102C		TOY5377.998	RM1005 - G2B, GBB, GBL, RCB, STB, STC, TRB, TRG, WEB. RM5377 - TRB. AOF AVAILABLE. PFM
TOYOTA	HILUX	05/23 - 08/25	(100 SERIES) GR-SPORT DUAL CAB	TOY1516.102C		TOY5029.1061	RM5029 - G2B, GBB, STC, TRB, TRG, WEB. 5029 - AOF AVAILABLE. PFM. CC01 - ANB & STC
TOYOTA	HILUX	01/24 - 08/25	(100 SERIES) 48V-SR, 48V-SR5 DUAL CAB	TOY1005.102C		TOY5029.1061	RM1005 - G2B, GBB, GBL, RCB, STB, STC, TRB, TRG, WEB. RM5029 - G2B, GBB, STC, TRB, TRG, WEB. AOF AVAILABLE. CC01 - ANB & STC
TOYOTA	HILUX	08/25 - CURRENT	(200 SERIES) WORKMATE SINGLE CAB	TOY1647.110			
TOYOTA	HILUX	08/25 - CURRENT	(200 SERIES) SR, SR5 DUAL CAB	TOY1638.216		TOY5029.1061	RM5029 - G2B, GBB, STC, TRB, TRG, WEB. AOF AVAILABLE
TOYOTA	HILUX	08/25 - CURRENT	(200 SERIES) 48V-SR, 48V-SR5 DUAL CAB	TOY1005.102C		TOY5029.1061	RM1005 - G2B, GBB, GBL, RCB, STB, STC, TRB, TRG, WEB. RM5029 - G2B, GBB, STC, TRB, TRG, WEB. AOF AVAILABLE.
TOYOTA	HILUX	08/25 - CURRENT	(200 SERIES) WORKMATE DUAL CAB	TOY1670.102C		TOY5377.998	RM5377 - TRB. AOF AVAILABLE.
TOYOTA	IPSUM	05/01 - 12/09	(ACM21, ACM26) ALL BADGES WAGON	CT308.107C	CT308.978	TOY9058.865	
TOYOTA	IPSUM	05/01 - 12/09	(ACM21, ACM26) ALL BADGES WAGON	CT308.107C	CT309.932	TOY9058.865	
TOYOTA	KLUGER	11/03 - 07/07	(MCU28R) CV 5 SEAT SUV	CT266.107		CT266.972	MANUAL ALLOWANCES ON FRONT SEAT
TOYOTA	KLUGER	11/03 - 07/07	(MCU28R) CV 5 SEAT SUV	TOY1265.107		CT266.972	ELECTRIC ALLOWANCES ON FRONT SEATS
TOYOTA	KLUGER	11/03 - 07/07	(MCU28R) ALL BADGES 7 SEAT SUV	CT266.107	CT266.972	TOY9022.1099	MANUAL ALLOWANCES ON FRONT SEAT
TOYOTA	KLUGER	11/03 - 07/07	(MCU28R) ALL BADGES 7 SEAT SUV	TOY1265.107	CT266.972	TOY9022.1099	ELECTRIC ALLOWANCES ON FRONT SEATS
TOYOTA	KLUGER	08/07 - 02/14	(GSU40R, GSU45R) ALL BADGES 7 SEAT SUV	TOY1500.102C	TOY5382.1011B	N/A	RM1500 - EMB, GBB. RM5382 - GBB. MIDDLE ROW - RETRACTABLE SEAT BELT ON DRIVERS SIDE, TOP OF BACK REST
TOYOTA	KLUGER	08/07 - 02/14	(GSU40R, GSU45R) KX-R 5 SEAT SUV	TOY1500.102C		CT269.1011A	RM1500 - EMB, GBB. REAR ROW - RETRACTABLE SEAT BELT ON PASSENGERS SIDE, TOP OF BACK REST
TOYOTA	KLUGER	03/14 - 03/21	(GSU50R, GSU55R) GX SUV	TOY1182.102C	TOY5076.978	TOY9064.1055	RM1182 - EMB, G2B. RM5076 - G2B, GBB, WEB
TOYOTA	KLUGER	03/14 - 03/21	(GSU50R, GSU55R) GXL BLACK EDITION, GXL, GRANDE SUV	TOY1079.102C	TOY5076.978	TOY9064.1055	RM1079 - G2B, EMB, WEB. RM5076 - G2B, GBB, WEB.
TOYOTA	KLUGER	03/21 - CURRENT	(AXUH78R, GSU70R, GSU75R, TXUA70R) ALL BADGES SUV	TOY1312.121	TOY5262.978	TOY9036.504	RM - EMB, GBB
TOYOTA	LANDCRUISER BUNDERA	85 - 91	(70 SERIES) MWB, SWB SUV	CT100.301		CT100.704	
TOYOTA	LANDCRUISER BUNDERA	85 - 91	(70 SERIES) SWB 2DR HARD TOP SUV	CT108.102		CT108.704	
TOYOTA	LANDCRUISER PRADO	07/96 - 97	(VZJ95) GXL SUV	CT230.102	CT230.704	TOY9065.503	
TOYOTA	LANDCRUISER PRADO	07/96 - 08/99	(VZJ95) RV6 SUV	CT230.102	CT230.704	TOY9065.503	
TOYOTA	LANDCRUISER PRADO	07/96 - 08/99	(VZJ95) GRANDE VX SUV	CT232.102	CT232.801	TOY9065.503	
TOYOTA	LANDCRUISER PRADO	07/96 - 00	(VZJ95) RV 5 SEAT SUV	CT230.102		CT231.708	
TOYOTA	LANDCRUISER PRADO	98 - 08/99	(RZJ95, VZJ95) GXL, RV 7 SEAT SUV	CT230.102	CT230.704	TOY9066.709	
TOYOTA	LANDCRUISER PRADO	99 - 99	(VZJ95) SNOWY SUV	CT230.102	CT232.801	TOY9066.709	
TOYOTA	LANDCRUISER PRADO	08/99 - 02/03	(KZJ95, VZJ95) GXL, TX SUV	CT235.102	CT235.716	TOY9066.709	
TOYOTA	LANDCRUISER PRADO	01 - 01	(VZJ95) 50TH ANNIVERSARY SUV	CT237.102	CT237.721	TOY9066.709	
TOYOTA	LANDCRUISER PRADO	03/03 - 10/09	(120 SERIES) STD, GX, GXL SUV	TOY1051.102C	TOY5053.942	TOY9067.955	RM1051 & RM5053 - G2B, WEB, TRG. AO AVAILABLE 1051 & 5053.
TOYOTA	LANDCRUISER PRADO	03/03 - 10/09	(120 SERIES) GRANDE, VX SUV	TOY1508.102C	TOY5053.942	TOY9067.955	RM1508 - EMB. RM5053 - G2B, WEB, TRG. AO AVAILABLE 5053.

MAKE	MODEL	YEAR	SERIES & SUB MODEL	Front Pattern Number	Middle Pattern Number	Rear Pattern Number	Notes
TOYOTA	LANDCRUISER PRADO	11/09 - 10/13	(150 SERIES) SX, ZR 2DR SUV	TOY1024.102C			RM1024 - EMB, G2B, GBB, TRB, TRG, WEB. AO AVAILABLE
TOYOTA	LANDCRUISER PRADO	11/09 - 05/21	(150 SERIES) KAKADU, VX 7 SEAT SUV	TOY1024.102C	TOY5042.1006	TOY9013.1091	RM1024 & RM5042 - EMB, G2B, GBB, TRB, TRG, WEB. AO AVAILABLE 1024 & 5042. PFM. CC08 - ANB & STC
TOYOTA	LANDCRUISER PRADO	11/09 - 05/21	(150 SERIES) GX 5 SEAT SUV	TOY1024.102C		TOY5175.1006	RM1024 - EMB, G2B, GBB, TRB, TRG, WEB. RM5175 - G2B, TRB. AO AVAILABLE. PFM. CC08 - ANB & STC
TOYOTA	LANDCRUISER PRADO	11/09 - 05/21	(150 SERIES) ALTITUDE, GX, GXL 7 SEAT SUV	TOY1024.102C	TOY5042.1006	TOY9005.931	RM1024 & RM5042 - EMB, G2B, GBB, TRB, TRG, WEB. RM9005 - EMB, G2B, GBB, WEB, TRG. AO AVAILABLE. PFM. CC08 - ANB & STC
TOYOTA	LANDCRUISER PRADO	06/21 - 06/24	(150 SERIES) GX 5 SEAT SUV	TOY1350.102C		TOY5175.1006	RM1350 - GBB. RM5175 - G2B, TRB. AOF AVAILABLE 1350. PFM. CC08 - ANB & STC
TOYOTA	LANDCRUISER PRADO	06/21 - 06/24	(150 SERIES) GX 7 SEAT SUV	TOY1350.102C	TOY5042.1006	TOY9005.931	RM1350 - GBB. RM5042 - EMB, G2B, GBB, WEB, TRB, TRG. RM9005 - EMB, G2B, GBB, WEB, TRG. AO AVAILABLE. PFM. CC08 - ANB & STC
TOYOTA	LANDCRUISER PRADO	06/21 - 06/24	(150 SERIES) GXL (WITH OPTIONAL ELECTRIC FRONT SEATS) 7 SEAT SUV	TOY1322.159	TOY5042.1006	TOY9005.931	RM1322 - G2B, GBB. RM5042 - EMB, G2B, GBB, WEB, TRB, TRG. RM9005 - EMB, G2B, GBB, WEB, TRG. AOF AVAILABLE. PFM. CC08 - ANB & STC
TOYOTA	LANDCRUISER PRADO	06/21 - 06/24	(150 SERIES) GXL (WITH STANDARD MANUAL ADJUST FRONT SEATS) 7 SEAT SUV	TOY1350.102C	TOY5042.1006	TOY9005.931	RM1350 - GBB. RM5042 - EMB, G2B, GBB, WEB, TRB, TRG. RM9005 - EMB, G2B, GBB, WEB, TRG. AOF AVAILABLE. PFM. CC08 - ANB & STC
TOYOTA	LANDCRUISER PRADO	06/21 - 06/24	(150 SERIES) KAKADU 7 SEAT SUV	TOY1322.159	TOY5042.1006	TOY9054.1091	RM1322 - G2B, GBB. RM5042 - EMB, G2B, GBB, WEB, TRB, TRG. AOF AVAILABLE 1322 & 5042. PFM. CC08 - ANB & STC
TOYOTA	LANDCRUISER PRADO	06/21 - 06/24	(150 SERIES) VX 7 SEAT SUV	TOY1322.159	TOY5042.1006	TOY9005.931	RM1322 - G2B, GBB. RM5042 - EMB, G2B, GBB, WEB, TRB, TRG. RM9005 - EMB, G2B, GBB, WEB, TRG. AOF AVAILABLE. PFM. CC08 - ANB & STC
TOYOTA	LANDCRUISER PRADO	06/24 - CURRENT	(GDJ251R) KAKADU 7 SEAT SUV	TOY1555.102	TOY5400.942	TOY9118.1158	SEAT EXTENSION ON DRIVER NOT ALLOWED FOR. 5400 & 9118 - AO & AOF AVAILABLE.
TOYOTA	LANDCRUISER PRADO	06/24 - CURRENT	(GDJ251R) GXL 7 SEAT SUV	TOY1597.102	TOY5400.942	TOY9118.1158	AO AVAILABLE. AOF AVAILABLE.
TOYOTA	LANDCRUISER PRADO	06/24 - CURRENT	(GDJ251R) ALTITUDE 5 SEAT SUV	TOY1648.102		TOY5400.942	AO & AOF AVAILABLE
TOYOTA	LANDCRUISER PRADO	06/24 - CURRENT	(GDJ251R) GX 5 SEAT SUV	TOY1601.102		TOY5400.942	AO & AOF AVAILABLE.
TOYOTA	LANDCRUISER PRADO	06/24 - CURRENT	(GDJ251R) VX 7 SEAT SUV	TOY1648.102	TOY5400.942	TOY9118.1158	AO & AOF AVAILABLE.
TOYOTA	LANDCRUISER SUV	11/72 - 11/80	(FJ55) DELUXE SUV	CT102.207			
TOYOTA	LANDCRUISER SUV	11/80 - 02/86	(60 SERIES) SAHARA SUV	CT095.101	CT095.503	TOY9068.503	
TOYOTA	LANDCRUISER SUV	11/80 - 04/90	(60 SERIES) DELUXE SUV	TOY1505.301		CT100.704	
TOYOTA	LANDCRUISER SUV	11/80 - 08/99	(60, 70 SERIES) STD SUV	TOY1505.301		CT090.702	
TOYOTA	LANDCRUISER SUV	11/84 - 91	(70 SERIES) MWB, LX RESIN TOP SUV			CT094.704	
TOYOTA	LANDCRUISER SUV	11/84 - 01/94	(70 SERIES) SWB 2DR HARD TOP SUV	CT100.301			
TOYOTA	LANDCRUISER SUV	02/86 - 04/91	(60 SERIES) SAHARA SUV	CT095.101	CT096.709	TOY9068.503	
TOYOTA	LANDCRUISER SUV	10/89 - 12/97	(80 SERIES) GXL, RV, 40TH ANNIVERSARY SUV	TOY1506.101C	TOY5378.709	TOY9069.503	
TOYOTA	LANDCRUISER SUV	10/89 - 12/97	(80 SERIES) STD SUV	CT101.401		CT101.702	
TOYOTA	LANDCRUISER SUV	10/89 - 12/97	(80 SERIES) STD SUV WITH REAR HEADRESTS	CT101.401		CT104.704	
TOYOTA	LANDCRUISER SUV	10/89 - 12/97	(80 SERIES) VX, SAHARA SUV	CT098.108	CT098.842	TOY9069.503	
TOYOTA	LANDCRUISER SUV	01/98 - 10/07	(HZJ105R, FZJ105) STANDARD SUV	TOY1184.405		TOY5180.1105	RM1184 - TRB, TRG. RM5180 - TRG. AO AVAILABLE
TOYOTA	LANDCRUISER SUV	01/98 - 10/07	(100 SERIES) GXL, RV SUV	TOY1092.102C	TOY5080.716	TOY9070.709	DRIVERS SEAT HAS NO ALLOWANCES ON POLY BASE. RM1092 & RM5080 - G2B, TRG. AO AVAILABLE 1092 & 5080.
TOYOTA	LANDCRUISER SUV	01/98 - 10/07	(100 SERIES) GXL, RV SUV	TOY1215.102C	TOY5080.716	TOY9070.709	DRIVERS SEAT HAS TWO ROUND ALLOWANCES ON POLY BASE. RM1215 - G2B, STC, TRG. RM5080 - G2B, TRG. AO AVAILABLE 1215 & 5080.
TOYOTA	LANDCRUISER SUV	01/98 - 10/07	(100 SERIES) SNOWY GXL, 50TH ANNIV GXL, GXL ADV, KAKADU, GXV, VX, SAHARA SUV	TOY1092.102C	TOY5078.942	TOY9070.709	RM1092 & RM5078 - G2B, TRG. AO AVAILABLE 1092 & 5078.
TOYOTA	LANDCRUISER SUV	09/07 - 06/09	(200 SERIES) GXL, 8 SEAT SUV	TOY1081.102C	TOY5043.969	TOY9006.1027	RM1081 - G2B. RM5043 - G2B, GBB, TRB, TRG. RM9006 - TRG. AO AVAILABLE 5043 & 9006. CC07 - ANB & STC
TOYOTA	LANDCRUISER SUV	09/07 - 11	(200 SERIES) VX, SAHARA 8 SEAT SUV	TOY1180.102C	TOY5136.1038	TOY9006.1027	AIRBAGS FRONT & MIDDLE. FRONT - REAR MOUNTED DVD PLAYER ALLOWED FOR. RM1180 - G2B. RM9006 - TRG. AO AVAILABLE 9006.
TOYOTA	LANDCRUISER SUV	09/07 - 09/15	(200 SERIES) VX, SAHARA 7 SEAT SUV	TOY1180.102C	TOY5136.1038	TOY9071.1071	AIRBAGS FRONT & MIDDLE. FRONT - REAR MOUNTED DVD PLAYER ALLOWED FOR. RM1180 - G2B. PFM FROM 11/2011.
TOYOTA	LANDCRUISER SUV	09/07 - 09/15	(200 SERIES) VX, SAHARA 7 SEAT SUV NO DVD	TOY1139.102C	TOY5136.1038	TOY9071.1071	RM1139 - GBB. AIRBAGS FRONT & MIDDLE. FRONT - NO DVD PLAYER ALLOWED FOR. PFM FROM 11/2011.
TOYOTA	LANDCRUISER SUV	03/07 - 12/23	(VDJ76, VDJL76R) GXL & WORKMATE SUV	TOY1029.102C		TOY5024.704	RM - G2B, TRG. AO AVAILABLE. CC06 - ANB & STC
TOYOTA	LANDCRUISER SUV	09/23 - CURRENT	(GDJL76R) GXL+, WORKMATE 4DR SUV	TOY1029.102C		TOY5396.932	RM1029 - G2B, TRG. AO AVAILABLE 1029.
TOYOTA	LANDCRUISER SUV	01/24 - 08/25	(VDJL76R) GXL, WORKMATE 4DR SUV	TOY1029.102C		TOY5396.932	RM1029 - G2B, TRG. AO AVAILABLE 1029.
TOYOTA	LANDCRUISER SUV	07/09 - 01/20	(200 SERIES) GXL, 8 SEAT	TOY1027.102C	TOY5043.969	TOY9006.1027	RM1027 - G2B, GBB, TRG. RM5043 - G2B, GBB, TRB, TRG. RM9006 - TRG. AO AVAILABLE. PFM FROM 11/2011. CC07 - ANB & STC
TOYOTA	LANDCRUISER SUV	10 - 10	(VDJ200) GXL 60TH ANNIVERSARY	CT383.102C	CT383.1038	TOY9006.1027	RM9006 - TRG. AO AVAILABLE 9006.
TOYOTA	LANDCRUISER SUV	11/11 - 12/21	(200 SERIES) GX, 5 SEAT SUV	TOY1027.102C		TOY5043.969	RM1027 - G2B, GBB, TRG. RM5043 - G2B, GBB, TRB, TRG. AO AVAILABLE. PFM.

MAKE	MODEL	YEAR	SERIES & SUB MODEL	Front Pattern Number	Middle Pattern Number	Rear Pattern Number	Notes
TOYOTA	LANDCRUISER SUV	10/15 - 12/21	(200 SERIES) SAHARA, VX 7 SEAT SUV	TOY1180.102C	TOY5173.1070	TOY9071.1071	RM1180 -G2B. RM5173 - G2B, GBB. FRONT - REAR MOUNTED DVD PLAYER ALLOWED FOR MIDDLE - HAS SIDE AIRBAGS, A/R NOT COVERED REAR - DUAL CUP HOLDERS. PFM. CC07 - ANB & STC
TOYOTA	LANDCRUISER SUV	10/15 - 12/21	(200 SERIES) SAHARA, VX 7 SEAT NO DVD SUV	TOY1139.102C	TOY5173.1070	TOY9071.1071	RM1139 - GBB. RM5173 - G2B, GBB. FRONT - NO DVD ALLOWANCE MIDDLE - HAS SIDE AIRBAGS, A/R NOT COVERED REAR - DUAL CUP HOLDERS. PFM. CC07 - ANB & STC
TOYOTA	LANDCRUISER SUV	07/21 - CURRENT	(FJA300) LC300 - VX SUV	TOY1336.102C	TOY5278.1132	TOY9040.931	RM5278 - GBB. FRONT EXCLUDES DVD ALLOWANCE. SECOND ROW INCLUDES SIDE AIRBAGS. A/O AVAILABLE. PFM.
TOYOTA	LANDCRUISER SUV	07/21 - CURRENT	(FJA300) LC300 - VX SUV	TOY1348.102C	TOY5278.1132	TOY9040.931	RM5278 - GBB. FRONT INCLUDES DVD ALLOWANCE. SECOND ROW INCLUDES SIDE AIRBAGS. A/O AVAILABLE. PFM.
TOYOTA	LANDCRUISER SUV	07/21 - CURRENT	(FJA300) LC300 - SAHARA SUV	TOY1336.102C	TOY5278.1132	TOY9185.931	RM5278 - GBB. FRONT EXCLUDES DVD ALLOWANCE. SECOND ROW INCLUDES SIDE AIRBAGS. A/O AVAILABLE. PFM.
TOYOTA	LANDCRUISER SUV	07/21 - CURRENT	(FJA300) LC300 - SAHARA SUV	TOY1348.102C	TOY5278.1132	TOY9185.931	RM5278 - GBB. FRONT INCLUDES DVD ALLOWANCE. SECOND ROW INCLUDES SIDE AIRBAGS. A/O AVAILABLE. PFM.
TOYOTA	LANDCRUISER SUV	07/21 - CURRENT	(FJA300) LC300 - GR SPORT (GR-S), SAHARA ZX SUV	TOY1336.102C		TOY5278.1132	RM5278 - GBB. FRONT EXCLUDES DVD ALLOWANCE. SECOND ROW INCLUDES SIDE AIRBAGS. A/O AVAILABLE. PFM.
TOYOTA	LANDCRUISER SUV	07/21 - CURRENT	(FJA300) LC300 - GR SPORT (GR-S), SAHARA ZX SUV	TOY1348.102C		TOY5278.1132	RM5278 - GBB. FRONT INCLUDES DVD ALLOWANCE. SECOND ROW INCLUDES SIDE AIRBAGS. A/O AVAILABLE. PFM.
TOYOTA	LANDCRUISER SUV	07/21 - CURRENT	(FJA300) LC300 - GX SUV	TOY1339.102C		TOY5277.969	RM - STB. FRONT EXCLUDES DVD ALLOWANCE. SECOND ROW INCLUDES SIDE AIRBAGS. A/O AVAILABLE. PFM.
TOYOTA	LANDCRUISER SUV	07/21 - 01/25	(FJA300) LC300 - GXL SUV	TOY1339.102C	TOY5277.969	TOY9040.931	RM1339 & RM5277 - STB. FRONT EXCLUDES DVD ALLOWANCE. SECOND ROW EXCLUDES ARMREST & INCLUDES SIDE AIRBAGS. A/O AVAILABLE. PFM.
TOYOTA	LANDCRUISER SUV	02/25 - CURRENT	(FJA300) LC300 - GXL SUV	TOY1339.102C	TOY5278.1132	TOY9040.931	RM1339 - STB. RM5278 - GBB. FRONT EXCLUDES DVD ALLOWANCE. SECOND ROW INCLUDES ARMREST & SIDE AIRBAGS. A/O AVAILABLE. PFM.
TOYOTA	LANDCRUISER TROOP CARRIER	10/80 - 84	(HJ47) TROOP CARRIER	TOY1505.301		CT092.704	
TOYOTA	LANDCRUISER TROOP CARRIER	82 - 84	(FJ45) SWB TROOP CARRIER	CT100.301			
TOYOTA	LANDCRUISER TROOP CARRIER	11/84 - 11/99	(75 SERIES) HARD TOP TROOP CARRIER	TOY1505.301			
TOYOTA	LANDCRUISER TROOP CARRIER	10/99 - 01/07	(HZJ78R, HDJ79R, HDJ78R) TROOP CARRIER	TOY1494.301			RM1494 - TRB, TRG. A/O AVAILABLE
TOYOTA	LANDCRUISER TROOP CARRIER	03/07 - 09/22	(VDJ78R) GXL TROOP CARRIER	TOY1052.401			RM - TRB, TRG. A/O AVAILABLE
TOYOTA	LANDCRUISER TROOP CARRIER	03/07 - 09/22	(VDJ78R) 11 SEAT GXL TROOP CARRIER	TOY1052.401	CT469.1066	TOY9072.1067	RM1052 - TRB, TRG. FRONT - A/O AVAILABLE. MIDDLE & REAR - A/O ONLY.
TOYOTA	LANDCRUISER UTE	11/74 - 80	(40 SERIES) SWB UTE	CT103.307			
TOYOTA	LANDCRUISER UTE	11/74 - 84	(FJ45) SINGLE CAB UTE	CT109.406			
TOYOTA	LANDCRUISER UTE	80 - 85	(40 SERIES) UTE	CT106.307			
TOYOTA	LANDCRUISER UTE	85 - 08/99	(70 SERIES) SINGLE CAB UTE	TOY1505.301			
TOYOTA	LANDCRUISER UTE	10/99 - 07/09	(HZJ79R, VDJ79R) SINGLE CAB UTE	TOY1494.301			RM1494 - TRB. A/O AVAILABLE
TOYOTA	LANDCRUISER UTE	99 - 08/16	(HZJ79R, VDJ79R) SINGLE CAB UTE	TOY1080.102C			RM - TRG. AO AVAILABLE.
TOYOTA	LANDCRUISER UTE	08/09 - 14	(VDJ79R) SINGLE CAB UTE	TOY1052.401			RM - TRB, TRG. A/O AVAILABLE
TOYOTA	LANDCRUISER UTE	10/12 - 08/16	(VDJ79R) DOUBLE CAB UTE	TOY1080.102C		TOY5077.704	RM1080 - TRG. RM5077 - G2B, TRG. AO AVAILABLE.
TOYOTA	LANDCRUISER UTE	09/16 - 08/25	(VDJ79R, VDIL79R) SINGLE CAB UTE	TOY1053.102C			RM1053 - G2B, STC. CC06 - ANB & STC
TOYOTA	LANDCRUISER UTE	09/16 - 08/25	(GDJL79R, VDJ79R, VDIL79R) DOUBLE CAB UTE	TOY1029.102C		TOY5077.704	RM - G2B, TRG. AO AVAILABLE. CC06 - ANB & STC
TOYOTA	LEXCEN	08/89 - 11/91	(VN, VN2) GL SEDAN	CT122.101B		CT123.819	
TOYOTA	LEXCEN	08/89 - 11/91	(VN, VN2) GLX SEDAN	CT122.101B		CT122.835	
TOYOTA	LEXCEN	08/89 - 11/91	(VN, VN2) WAGON	CT122.101B		CT124.701	
TOYOTA	LEXCEN	11/91 - 08/93	(VP) CSI SEDAN	CT127.108		CG023.851	
TOYOTA	LEXCEN	11/91 - 08/93	(VP) VXI, NEWPORT SEDAN	CT127.108		CT128.854	
TOYOTA	LEXCEN	08/93 - 04/95	(VR) CSI WAGON			CT129.701	
TOYOTA	LEXCEN	05/95 - 05/96	(VS) VXI, CSI WAGON			CG124.510	
TOYOTA	LEXCEN	05/95 - 04/97	(VS) CSI SEDAN			CG023.851	
TOYOTA	LEXCEN	06/96 - 04/97	(VS) CSI S/WAGON			CT212.829	
TOYOTA	LITE-ACE	10/79 - 10/89	COMMERCIAL VAN	CT138.402			
TOYOTA	LITE-ACE	10/82 - 08/85	8 SEAT PEOPLE MOVER	CT150.101C	CT159.501	TOY9074.702	
TOYOTA	LITE-ACE	09/85 - 09/86	5 SEAT PEOPLE MOVER	CT161.110		CT161.501	
TOYOTA	LITE-ACE	09/85 - 08/90	7 SEAT PEOPLE MOVER	CT150.101C	CT150.703	TOY9075.503	
TOYOTA	LITE-ACE	09/85 - 03/92	8 SEAT PEOPLE MOVER	CT150.101C	CT151.501	TOY9076.503	
TOYOTA	LITE-ACE	09/85 - 03/92	6 SEAT PEOPLE MOVER	CT156.304	CT156.702		
TOYOTA	LITE-ACE	09/85 - 03/92	(KM36) COMMERCIAL VAN	CT156.304			

MAKE	MODEL	YEAR	SERIES & SUB MODEL	Front Pattern Number	Middle Pattern Number	Rear Pattern Number	Notes
TOYOTA	LITE-ACE	10/86 - 10/89	5 SEAT PEOPLE MOVER	CT158.104		CT158.702	
TOYOTA	LITE-ACE	08/90 - 06/99	7 SEAT PEOPLE MOVER	CT160.101A	CT160.505	TOY9077.709	
TOYOTA	PASEO	07/91 - 01/96	(EL44R) 2DR COUPE	CT031.110		CT031.702	
TOYOTA	PASEO	12/95 - 12/99	(EL45R) 2DR COUPE	CT260.110		CT260.703	
TOYOTA	PRIUS	08/03 - 12/11	(NHW20R) HYBRID HATCH	CT311.102D		CT311.952	
TOYOTA	PRIUS	03/15 - 05/22	(ZVW50R) HYBRID - GX, ZR HATCH	TOY1268.121		TOY5236.1032	
TOYOTA	PRIUS ALPHA	04/11 - 02/21	(ZVW40R) G, S WAGON	CT313.102C	TOY5440.721	TOY9078.931	IMPORTED VEHICLE
TOYOTA	PRIUS C	03/12 - 03/20	(NHP10R) HYBRID HATCH	CT450.102C		CT450.1008	
TOYOTA	PRIUS V	05/12 - 12/21	(ZVW40R) HYBRID WAGON	CT313.102C	CT313.990	TOY9078.931	
TOYOTA	RAV4	04/94 - 04/00	(SXA10) ALL BADGES SUV	CT172.101A		CT172.709	
TOYOTA	RAV4	04/95 - 05/00	(SXA11) ALL BADGES SUV	CT172.101A		CT173.812	
TOYOTA	RAV4	05/00 - 10/03	(ACA20, ACA22) ALL BADGES SUV	CT174.101A		CT175.709	NO S/BELT ALLOW IN REAR
TOYOTA	RAV4	05/00 - 01/06	(ACA21, ACA23) ALL BADGES SUV	CT174.101A		CT174.709	S/BELT ALLOW IN REAR
TOYOTA	RAV4	05/00 - 01/06	(ACA21, ACA23) ALL BADGES SUV	CT176.101A		CT174.709	DRIVER SIDE ROUND ALLOWANCE ON POLY BASE, S/BELT ALLOW IN REAR
TOYOTA	RAV4	05/00 - 01/06	(ACA22) ALL BADGES SUV	CT176.101A		CT175.709	DRIVER SIDE ROUND ALLOWANCE ON POLY BASE, NO S/BELT ALLOW IN REAR
TOYOTA	RAV4	11/05 - 01/13	(30 SERIES) ALL BADGES SUV	TOY1504.102C		TOY5379.1007	RM - GBB
TOYOTA	RAV4	02/13 - 01/19	(40 SERIES) GX, GXL, CRUISER SUV	TOY1033.102C		TOY5027.987	RM - EMB, G2B, GBB, WEB. PFM.
TOYOTA	RAV4	01/19 - 12/25	(50 SERIES) PETROL - CRUISER, EDGE, GX, GXL SUV	TOY1127.121		TOY5123.1032	RM1127 - EMB, G2B, GBB, GBL, TRB, WEB. RM5123 - GBB. AOF AVAILABLE. PFM. CC09 - ANB & STC.
TOYOTA	RAV4	01/19 - 12/25	(50 SERIES) ELECTRIC / HYBRID - CRUISER, GX, GXL, XSE SUV	TOY1127.121		TOY5122.1032	RM - EMB, G2B, GBB, GBL, TRB, WEB. AOF AVAILABLE. PFM. CC09 - ANB & STC.
TOYOTA	RAV4	12/25 - CURRENT	(60 SERIES) GX SUV	TOY1667.102C		TOY5485.965	
TOYOTA	RAV4	12/25 - CURRENT	(60 SERIES) CRUISER, EDGE SUV	NPR		TOY5485.965	
TOYOTA	REGIUS ACE	08/04 - CURRENT	(TRH) ALL BADGES VAN	TOY1025.304			RM - TRG. AO AVAILABLE. PFM
TOYOTA	SPACIA	10/93 - 08/02	(SR40, YR22R) 8 SEAT VAN	CT145.102	CT145.505	TOY9079.709	
TOYOTA	STARLET	98 - 99	(EP91R) LIFE HATCH	CT241.102		CT242.508	
TOYOTA	STARLET	96 - 98	(EP91R) LIFE, MAX HATCH	CT241.102		CT241.829	
TOYOTA	STARLET	04/96 - 10/99	(EP91R) STYLE HATCH	CT240.102		CT240.510	
TOYOTA	TARAGO	01/83 - 84	(YR20) DX VAN	CT082.101C	CT080.501	TOY9080.701	
TOYOTA	TARAGO	02/83 - 84	(YR20) GL VAN	CT080.102	CT080.501	TOY9080.701	
TOYOTA	TARAGO	01/83 - 10/90	(CR21, YR21) DX VAN	CT082.101C	CT086.505	TOY9081.709	
TOYOTA	TARAGO	03/84 - 03/85	(YR21) GL, GLS VAN	CT081.107	CT080.501	TOY9080.701	
TOYOTA	TARAGO	10/85 - 87	(YR21, YR22) GL, GLI VAN	CT081.107	CT080.501	TOY9082.503	
TOYOTA	TARAGO	10/85 - 87	(YR21, YR22) GLS VAN	CT081.107	CT085.709	TOY9083.709	
TOYOTA	TARAGO	03/87 - 09/90	(YR22) RV VAN	CT088.102	CT086.505	TOY9081.709	
TOYOTA	TARAGO	88 - 09/90	(YR22) GLI VAN	CT081.107	CT086.505	TOY9081.709	
TOYOTA	TARAGO	10/88 - 09/90	(YR22) GXI VAN	CT081.107	CT086.505	TOY9081.709	
TOYOTA	TARAGO	09/90 - 10/91	(TCR20) RV WAGON	CT191.113	CT195.704	TOY9084.709	
TOYOTA	TARAGO	09/90 - 10/93	(TCR21) GLS WAGON	CT192.112	CT193.109	TOY9084.709	
TOYOTA	TARAGO	09/90 - 08/00	(TCR10) GLI WAGON	CT194.101B	CT191.504	TOY9084.709	
TOYOTA	TARAGO	09/90 - 08/00	(TCR10) GLI, GETAWAY WAGON	CT191.113	CT191.504	TOY9084.709	
TOYOTA	TARAGO	09/90 - 08/97	(TCR11) GLX WAGON	CT192.112	CT191.504	TOY9084.709	
TOYOTA	TARAGO	09/97 - 08/00	(TCR11) GLX WAGON	CT196.107C	CT191.504	TOY9084.709	
TOYOTA	TARAGO	06/00 - 02/06	(ACR30) GLI WAGON	CT197.107	CT197.504	TOY9085.704	
TOYOTA	TARAGO	06/00 - 02/06	(ACR30) ULTIMA WAGON	CT197.107	CT198.408	TOY9086.801	
TOYOTA	TARAGO	03/06 - 09/19	(ACR50) GLI, GLX 8 SEAT WAGON	CT199.107C	CT199.989	TOY9087.968	
TOYOTA	TARAGO	03/06 - 09/19	(ACR50, GSR50) GLI, GLX, 8 SEAT WAGON	CT199.107C	CT199.989	TOY9088.983	
TOYOTA	TARAGO	03/06 - 09/19	(ACR50, GSR50) GLX, ULTIMA 7 SEAT WAGON	CT199.107C	CT244.122	TOY9087.968	
TOYOTA	TOWNACE	10/85 - 09/96	COMMERCIAL 2 SEAT VAN	CT147.101			
TOYOTA	TOWNACE	10/96 - 11/01	COMMERCIAL 7 SEAT VAN		CT169.501		
TOYOTA	TOWNACE	10/96 - 02/05	COMMERCIAL 2 SEAT VAN	CT168.101C			
TOYOTA	TUNDRA	11/23 - CURRENT	(VXKH70R) LIMITED UTE	TOY1583.102C		TOY5418.987	
TOYOTA	VIENTA	10/95 - 08/97	(VCV10R) CSI SEDAN	CT062.101B		CT220.809	60% LAPSASH

MAKE	MODEL	YEAR	SERIES & SUB MODEL	Front Pattern Number	Middle Pattern Number	Rear Pattern Number	Notes
TOYOTA	VITZ	10/99 - 03	(NCP10R) HATCH	CT280.102C		CT280.896	
TOYOTA	VITZ	03 - 01/05	(NCP10R) HATCH	CT280.102C		CT283.896	
TOYOTA	VITZ	02/05 - 12/10	(KSP90R, NCP91R, SCP90R) HATCH	CT319.101C		CT319.984	
TOYOTA	VITZ	12/10 - 01/17	(KSP130R, NCP131R, NSP130R, NSP135R) HATCH	CT323.102C		CT323.1008	
TOYOTA	VITZ	02/17 - CURRENT	(KSP130R, NCP131R, NSP130R, NSP135R) HATCH	CT465.102C		CT323.1008	
TOYOTA	YARIS	11/05 - 10/11	(NCP90R, NCP91R) RUSH, YR, YRS, YRX 4 DR HATCH	CT319.101C		CT319.984	
TOYOTA	YARIS	11/05 - 10/11	(NCP91R) YRS, YRX 2DR HATCH	CT320.101C		CT319.984	
TOYOTA	YARIS	3/06 - 03/17	(NCP93R) YRS, YRX SEDAN	CT322.102C		CT322.965	
TOYOTA	YARIS	11/11 - 8/14	(NCP130R, NCP131R) YR, YRS, YRX 4DR HATCH	CT323.102C		CT323.1008	
TOYOTA	YARIS	11/11 - 08/14	(NCP130R, NCP131R) YR, YRS 2DR HATCH	CT324.102C		CT323.1008	
TOYOTA	YARIS	09/14 - 02/17	(NCP130R) SX, ASCENT 4DR HATCH	CT323.102C		CT323.1008	
TOYOTA	YARIS	03/17 - 04/20	(NCP130R) SX, ASCENT 4DR HATCH	CT465.102C		CT323.1008	
TOYOTA	YARIS	05/20 - CURRENT	(MXP) HYBRID ZR HATCH	TOY1245.121		TOY5224.909	HYBRID
TOYOTA	YARIS	05/20 - CURRENT	(MXP) HYBRID SX HATCH	TOY1462.102C		TOY5224.909	HYBRID
TOYOTA	YARIS	05/20 - 03/25	(MXP) ZR HATCH	TOY1245.121		TOY5223.909	PETROL
TOYOTA	YARIS	05/20 - 03/25	(MXP) ASCENT SPORT, SX HATCH	TOY1462.102C		TOY5223.909	PETROL
TOYOTA	YARIS CROSS	08/20 - 01/24	(MXP) GX, GXL, URBAN HATCH	TOY1244.111		TOY5222.1114	RM1244 - EMB, GBB, WEB. PETROL
TOYOTA	YARIS CROSS	05/20 - CURRENT	(MXP) HYBRID - GX, GXL, URBAN HATCH	TOY1244.111		TOY5221.1114	RM1244 - EMB, GBB, WEB. RM5221 - EMB, GBB. HYBRID

MAKE	MODEL	YEAR	SERIES & SUB MODEL	Front Pattern Number	Middle Pattern Number	Rear Pattern Number	Notes
VOLKSWAGEN	AMAROK	02/11 - 06/22	(2H) ALL BADGES (EXCLUDING ULTIMATE & V6 TDI580) DUAL CAB	VWN1022.102C		VWN5021.1054	RM - G2B, TRB, TRG. AO AVAILABLE. PFM
VOLKSWAGEN	AMAROK	02/11 - 06/22	(2H) ULTIMATE, W580S DUAL CAB	VWN1159.108C		VWN5021.1054	RM5021- G2B, TRB, TRG. AO AVAILABLE 5021.
VOLKSWAGEN	AMAROK	09/18 - 06/22	(2H) V6 TDI580, W580 & W580X DUAL CAB (EXCLUDING ULTIMATE)	VWN1237.102C		VWN5021.1054	RM5021- G2B, TRB, TRG. AO AVAILABLE 5021. DRIVER SIDE BACKREST HAS 2 ROUND ALLOWANCES ON OUTSIDE
VOLKSWAGEN	AMAROK	12/22 - CURRENT	(NF) TDI405 & TDI500 LIFE DUAL CAB	VWN1430.102C		VWN5341.1139	RM - GBB
VOLKSWAGEN	AMAROK	12/22 - CURRENT	(NF) TDI500 STYLE, TDI600 ALL BADGES & TSI452 DUAL CAB	VWN1431.102C		VWN5341.1139	RM - GBB
VOLKSWAGEN	BEETLE	09/01 - 09/05	(9C) TURBO 2DR HATCH	CQ097.101A		CQ097.1077	
VOLKSWAGEN	BEETLE	01/02 - 10/11	(9C) MIAMI 2DR HATCH	CQ050.102C		CQ050.704	
VOLKSWAGEN	ID. BUZZ	08/24 - CURRENT	(EB) LWB 7 SEATER PASSENGER VAN	VWN1619.251	VWN5441.1097	VWN9186.931	FRONT SEAT ARMRESTS ON THE INNER & OUTER ALLOWED FOR. COMFORT SEAT EXTENDER NOT ALLOWED FOR IN FRONT ROW.
VOLKSWAGEN	ID. BUZZ	08/24 - CURRENT	(EB) NWB & SWB 5 SEATER PASSENGER VAN	VWN1619.251		VWN5477.1097	FRONT SEAT ARMRESTS ON THE INNER & OUTER ALLOWED FOR. COMFORT SEAT EXTENDER NOT ALLOWED FOR IN FRONT ROW.
VOLKSWAGEN	ID4	08/24 - CURRENT	(E2) PRO SUV	VWN1631.107C		VWN5458.965	COMFORT SEAT EXTENDER NOT ALLOWED FOR IN FRONT ROW.
VOLKSWAGEN	ID4	08/24 - CURRENT	(E2) GTX SUV	NPR		VWN5458.965	
VOLKSWAGEN	CADDY	04/04 - 11/10	(2K) ALL BADGES VAN	CQ049.102C	CQ049.947	VWN9178.704	
VOLKSWAGEN	CADDY	12/10 - 11/15	(2K) ALL BADGES VAN	CQ047.102C			
VOLKSWAGEN	CADDY	12/15 - 03/21	(2K) ALL BADGES VAN	VWN1226.102C			AOF AVAILABLE. LUMBAR ALLOWANCE DRIVER ONLY.
VOLKSWAGEN	CADDY	12/15 - 03/21	(2K) ALL BADGES VAN	VWN1227.102C		CQ091.991	AOF AVAILABLE 1227. LUMBAR ALLOWANCE BOTH DRIVER & PASSENGER.
VOLKSWAGEN	CADDY	05/15 - 03/21	(2K) TSI220 VAN	VWN1577.102C			DRAW UNDER BOTH SEATS. LEVER ON REAR OF BACKREST BOTH SIDES.
VOLKSWAGEN	CADDY 5	03/21 - CURRENT	(SK) VAN (EXCLUDING LIFE / MAXI PEOPLE MOVER)	VWN1309.102C			AOF AVAILABLE. LUMBAR LEVER ON BOTH SEATS
VOLKSWAGEN	CALIFORNIA	06/20 - CURRENT	(T6.1, 7H) ALL BADGES 5 SEAT VAN	VWN1451.122C		VWN5360.945	5360 IS UNIVERSAL FOR ROW 2 OR 3 - REFER TO IMAGE
VOLKSWAGEN	CARAVELLE	93 - 12/96	(T4) MINIBUS	CQ001.102	CQ001.516	VWN9179.713	
VOLKSWAGEN	CARAVELLE	10/97 - 03/03	(T4) GLS MINIBUS	CQ004.109	CQ004.939	VWN9180.938	
VOLKSWAGEN	CARAVELLE	09/00 - 06/05	(T4) TDI MINIBUS	CQ004.109	CQ004.939	VWN9180.938	
VOLKSWAGEN	CARAVELLE	07/06 - 02/10	(T5) 8 SEAT MINIBUS	CQ051.410	VWN5469.1025	VWN9181.717	
VOLKSWAGEN	CARAVELLE	03/10 - CURRENT	(T5, T6) TDI 9 SEAT MINIBUS	CQ016.122C	VWN5469.1025 VWN5470.1026	VWN9181.717	ROW 1 = PIC 122C, ROW 2 = PIC 1025, ROW 3 = PIC 1026, ROW 4 = PIC 717
VOLKSWAGEN	CRAFTER	01/12 - 07/18	(2E) VAN	CQ093.102C			
VOLKSWAGEN	CRAFTER	10/17 - CURRENT	(SY) 3 SEAT SINGLE CAB VAN	VWN1099.144			A/O AVAILABLE
VOLKSWAGEN	CRAFTER	10/17 - CURRENT	(SY) 35 TDI, 50 TDI 7 SEAT DUAL CAB VAN	VWN1099.144		VWN5306.1034	FRONT - A/O AVAILABLE
VOLKSWAGEN	CRAFTER	10/17 - CURRENT	(SY) 2 SEAT SINGLE CAB VAN	VWN1274.122			
VOLKSWAGEN	CRAFTER	10/17 - CURRENT	(SY) DRIVER SIDE ONLY WITH UNIVERSAL ARMREST ALLOWANCE	VWN1457.175			AOF ONLY. SUITS WITH OR WITHOUT ARMREST/S. DRIVER SEAT ONLY.
VOLKSWAGEN	CRAFTER	08/18 - CURRENT	(SY) 3 SEAT SINGLE CAB VAN	VWN1394.311			
VOLKSWAGEN	GOLF	08/94 - 09/98	(MK3) GL CONVERTIBLE OR HATCH	CQ020.102C		CQ020.501	
VOLKSWAGEN	GOLF	10/98 - 02/02	(MK4) HATCH	CQ021.102		CQ021.716	
VOLKSWAGEN	GOLF	06/03 - 07/04	(MK4) GENERATION HATCH	CQ023.102C		CQ023.897	
VOLKSWAGEN	GOLF	10/03 - 04/05	(MK5) 1.9 TDI COMFORTLINE HATCH	CQ024.102		CQ024.952	NO REAR ARMREST COVER
VOLKSWAGEN	GOLF	10/03 - 02/09	(MK5) 2.0 FSI HATCH	CQ038.102		VWN5176.965	RM5176 - G2B
VOLKSWAGEN	GOLF	08/04 - 07/09	(MK5) 2.0 TDI, 2.0 FSI COMFORTLINE, PACIFIC, SPORTLINE HATCH	CQ040.102C		VWN5176.965	RM5176 - G2B
VOLKSWAGEN	GOLF	04/05 - 07/07	(MK5) 1.9TDI, 2.0TDI HATCH	CQ038.102		VWN5176.965	RM5176 - G2B
VOLKSWAGEN	GOLF	07/07 - 07/09	(MK5) 1.9TDI, 2.0TDI HATCH	CQ040.102C		VWN5176.965	RM5176 - G2B
VOLKSWAGEN	GOLF	10/09 - 01/21	(MK6, 7, 7.5) GTI, GTD, R HATCH	CQ062.121		CQ062.965	
VOLKSWAGEN	GOLF	08/09 - 03/13	(MK6) 77TSI, 90TSI, 77TDI, TRENDLINE, BLUE MOTION HATCH	VWN1021.102C		VWN5020.909	RM1021 - G2B. RM5020 - G2B
VOLKSWAGEN	GOLF	03/09 - 03/13	(MK6) 118TSI, 103TDI, COMFORTLINE HATCH	CQ061.102C		VWN5176.965	RM5176 - G2B
VOLKSWAGEN	GOLF	02/09 - 05/17	(MK6, MK7) COMFORTLINE, HIGHLINE WAGON	CQ061.102C		CQ061.1057	
VOLKSWAGEN	GOLF	08/12 - 06/16	(MK7) 103 TSI HIGHLINE WITH FRONT DRAWER HATCH	VWN1395.108C		VWN5176.965	RM5176 - G2B. DRAWER UNDER FRONT SEATS ALLOWED FOR
VOLKSWAGEN	GOLF	08/12 - 05/17	(MK7) 90TSI STD, 92TSI TRENDLINE HATCH	VWN1021.102C		VWN5020.909	RM1021 - G2B. RM5020 - G2B
VOLKSWAGEN	GOLF	08/12 - 05/17	(MK7) COMFORTLINE, HIGHLINE HATCH	CQ060.102C		VWN5176.965	RM5176 - G2B
VOLKSWAGEN	GOLF	04/16 - 12/17	(MK7) GTI 40 YEARS HATCH	VWN1207.108C		VWN5176.965	RM5176 - G2B
VOLKSWAGEN	GOLF	06/17 - 01/21	(MK7.5) 110TSI STD HATCH	VWN1119.102C		VWN5020.909	RM5020 - G2B
VOLKSWAGEN	GOLF	06/17 - 01/21	(MK7.5) TRENDLINE, COMFORTLINE HATCH	VWN1183.102C		VWN5176.965	RM - G2B

MAKE	MODEL	YEAR	SERIES & SUB MODEL	Front Pattern Number	Middle Pattern Number	Rear Pattern Number	Notes
VOLKSWAGEN	GOLF	06/17 - 01/21	(MK7.5) ALLTRACK, COMFORTLINE, TRENDLINE WAGON	VWN1183.102C		VWN5159.965	RM1183 - G2B
VOLKSWAGEN	GOLF	06/17 - 01/21	(MK7.5) HIGHLINE, R, R GRID WAGON	CQ095.108C		VWN5159.965	
VOLKSWAGEN	GOLF	07/20 - CURRENT	(MK8) GTE HATCH	VWN1428.110		VWN5329.965	
VOLKSWAGEN	GOLF	01/21 - CURRENT	(MK8) 110TSI LIFE HATCH	VWN1409.102C		VWN5329.965	
VOLKSWAGEN	GOLF	01/21 - CURRENT	(MK8) 110TSI LIFE WAGON	VWN1409.102C		VWN5330.965	
VOLKSWAGEN	GOLF	01/21 - CURRENT	(MK8) 110TSI R-LINE, GTI, R HATCH	VWN1428.110		VWN5329.965	
VOLKSWAGEN	GOLF	01/21 - CURRENT	(MK8) R WAGON	VWN1428.110		VWN5330.965	
VOLKSWAGEN	JETTA	05/04 - 10/10	(1K) TDI & TSI SEDAN			CQ044.952	
VOLKSWAGEN	JETTA	08/11 - 08/16	(1B) 103 TDI SEDAN			CQ045.1032	
VOLKSWAGEN	JETTA	09/12 - 12/17	(1B) 118 TSI SEDAN	CQ081.102C		CQ081.935	
VOLKSWAGEN	KOMBI	05/03 - 04	(T4) 9 SEAT VAN	CQ017.407	CQ017.716	VWN9182.957	
VOLKSWAGEN	MULTIVAN	03/10 - 12/15	(T5) TDI COMFORTLINE VAN	VWN1475.122C	VWN5370.122C	VWN9055.1051	
VOLKSWAGEN	MULTIVAN	12/15 - 06/20	(T6) TDI340 7 SEAT VAN	VWN1475.122C	VWN5370.122C	VWN9055.1051	ROW 2 - BOOSTER SEAT NOT ALLOWED FOR
VOLKSWAGEN	MULTIVAN	07/20 - 09/24	(T6.1) TDI340 & TDI450 7 SEAT VAN	VWN1451.122C	VWN5370.122C	VWN9055.1051	ROW 2 - BOOSTER SEAT NOT ALLOWED FOR
VOLKSWAGEN	PASSAT	10/96 - 11/00	(B5) 1.8 20V, 2.8 V6, 4MOTION SEDAN	CQ025.102		CQ025.894	60% S/BELT
VOLKSWAGEN	PASSAT	05/01 - 05/05	(B5) 1.8T SEDAN	CQ026.102C		CQ026.949	
VOLKSWAGEN	PASSAT	03/06 - 01/10	(B6) TDI SEDAN	CQ027.102C		CQ027.952	REAR SIDE BOLSTERS NOT COVERED DUE TO AIRBAG. ARM REST NOT COVERED DUE TO CONSOLE LID
VOLKSWAGEN	PASSAT	03/06 - 01/10	(B6) TDI WAGON	CQ027.102C		N/A	
VOLKSWAGEN	PASSAT	11/12 - 04/15	(B7, B8) ALLTRACK WAGON	VWN1155.102C		VWN5151.942	REAR SIDE BOLSTERS NOT COVERED DUE TO AIRBAG. ARM REST NOT COVERED DUE TO CONSOLE LID
VOLKSWAGEN	PASSAT	10/15 - 10/19	(B8) ALL BADGES SEDAN, EXCLUDING TSI R-LINE	VWN1120.102C		VWN5198.952	REAR SIDE BOLSTERS NOT COVERED DUE TO AIRBAG.
VOLKSWAGEN	PASSAT	05/15 - 10/19	(B8) ALL BADGES WAGON, EXCLUDING TSI R-LINE	VWN1120.102C		VWN5115.1087	REAR SIDE BOLSTERS NOT COVERED DUE TO AIRBAG.
VOLKSWAGEN	PASSAT	11/19 - CURRENT	(B8) 140 TSI & ALLTRACK 162 TSI WAGON, EXCLUDES R-LINE	VWN1435.108C		VWN5343.997	
VOLKSWAGEN	POLO	08/95 - 09/01	(6N) HATCH	CQ010.102C		CQ010.876	
VOLKSWAGEN	POLO	07/02 - 07/06	(9N) SE 4DR HATCH	CQ012.102C		CQ012.932	
VOLKSWAGEN	POLO	04/04 - 10/05	(9N) CLASSIC SEDAN			CQ030.978	
VOLKSWAGEN	POLO	11/05 - 04/10	(9N) TDI HATCH			CQ031.932	
VOLKSWAGEN	POLO	06/09 - 01/12	(6R) TRENDLINE 2DR HATCH	CQ071.102C		CQ071.983	
VOLKSWAGEN	POLO	05/10 - 02/18	(6C, 6R) COMFORTLINE, TRENDLINE 4DR HATCH	CQ072.102C		CQ071.983	
VOLKSWAGEN	POLO	09/17 - 06/22	(AW) COMFORTLINE, TRENDLINE 4DR HATCH	VWN1109.102C		VWN5103.985	
VOLKSWAGEN	POLO	06/21 - CURRENT	(AE) LIFE, STYLE 4DR HATCH	VWN1109.102C		VWN5103.985	
VOLKSWAGEN	POLO	07/18 - CURRENT	(AW, AE) GTI 4DR HATCH	NPR		VWN5103.985	
VOLKSWAGEN	T-CROSS	01/20 - CURRENT	(C1) 85 TSI ALL BADGES SUV	VWN1223.102C		VWN5209.909	
VOLKSWAGEN	TIGUAN	11/07 - 07/11	(5N) 103 TDI, TSI SUV	CQ053.102C		CQ053.1028	
VOLKSWAGEN	TIGUAN	10/11 - 09/16	(5N) 118TSI, 130TDI SUV	VWN1217.102C		CQ053.1028	TRAY ON REAR OF FRONT SEATS. NON-ACTIVE HEADRESTS. DRAWER UNDER FRONT SEATS MAY HAVE RESTRICTED USE.
VOLKSWAGEN	TIGUAN	10/11 - 09/16	(5N) 132 TSI PACIFIC SUV	CQ080.102C		CQ053.1028	
VOLKSWAGEN	TIGUAN	09/16 - 10/18	(5N) 110 TSI TRENDLINE SUV	VWN1118.102C		VWN5113.1086	
VOLKSWAGEN	TIGUAN	06/18 - 06/21	(5N) COMFORTLINE ALLSPACE, HIGHLINE ALLSPACE 7 SEAT SUV	VWN1125.102C	CQ094.1036	VWN9183.976	
VOLKSWAGEN	TIGUAN	06/18 - 06/21	(5N) 132 TSI R-LINE, 147 TDI R-LINE 5 SEAT SUV	VWN1124.102C		VWN5111.1036	
VOLKSWAGEN	TIGUAN	06/18 - 06/21	(5N) 132 TSI COMFORTLINE, 140 TDI COMFORTLINE, 140 TDI HIGHLINE, 162 TSI HIGHLINE 5 SEAT SUV	VWN1125.102C		VWN5111.1036	
VOLKSWAGEN	TIGUAN	07/21 - 04/24	(5N) 110 TSI & 132 TSI LIFE ALLSPACE, SUV	VWN1378.102C	VWN5315.1036	VWN9183.976	TRAY UNDER FRONT SEATS & 2 SMALL POCKETS ON REAR OF FRONT SEATS
VOLKSWAGEN	TIGUAN	06/21 - 11/24	(5N) 132 TSI LIFE 5 SEAT SUV	VWN1378.102C		VWN5432.1028	TRAY UNDER FRONT SEATS & 2 SMALL POCKETS ON REAR OF FRONT SEATS
VOLKSWAGEN	TOUAREG	10/04 - 06/11	(7L) STANDARD WAGON	CQ052.102C		CQ052.932	
VOLKSWAGEN	TOUAREG	07/11 - 03/19	(7P) TDI SUV	VWN1086.102		VWN5084.1036	FRONT SEAT TRAY COVERED OVER. REAR SIDE AIRBAGS.
VOLKSWAGEN	TRANSPORTER	09/94 - 10/99	(T4) SINGLE CAB	CQ007.407			
VOLKSWAGEN	TRANSPORTER	01/94 - 10/99	(T4) 3DR LWB, SWB VAN	CQ003.102C		CQ003.701	
VOLKSWAGEN	TRANSPORTER	01/94 - 07/04	(T4) 3DR LWB, SWB VAN			CQ005.714	
VOLKSWAGEN	TRANSPORTER	01/94 - 07/04	(T4) 3DR LWB, SWB VAN		CQ006.505		
VOLKSWAGEN	TRANSPORTER	04/96 - 07/04	(T4) DUAL CAB	CQ009.102C		CQ009.717	

MAKE	MODEL	YEAR	SERIES & SUB MODEL	Front Pattern Number	Middle Pattern Number	Rear Pattern Number	Notes
VOLKSWAGEN	TRANSPORTER	10/99 - 07/04	(T4) SINGLE CAB	CQ013.407			
VOLKSWAGEN	TRANSPORTER	10/99 - 07/04	(T4) TDI 3DR VAN	CQ009.102C		CQ014.717	
VOLKSWAGEN	TRANSPORTER	08/04 - 08/16	(T5) DUAL CAB	CQ018.407		CQ018.717	
VOLKSWAGEN	TRANSPORTER	01/06 - 02/10	(T5) CREWMAN 3DR VAN	CQ033.102C		CQ033.717	
VOLKSWAGEN	TRANSPORTER	07/06 - 05/10	(T5) CITIVAN, TDI 3DR VAN, BUCKET & 3/4 BENCH	CQ018.407			PLEASE ENSURE SEAT CONFIGURATION MATCHES IMAGE SUPPLIED
VOLKSWAGEN	TRANSPORTER	07/06 - 05/10	(T5) CITIVAN, TDI 3DR VAN, BUCKET SEATS	CQ033.102C			PLEASE ENSURE SEAT CONFIGURATION MATCHES IMAGE SUPPLIED
VOLKSWAGEN	TRANSPORTER	07/06 - 05/10	(T5) CITIVAN, TDI 3DR VAN, BUCKET & 3/4 BENCH WITH FOLDABLE CENTRE	CQ051.410			
VOLKSWAGEN	TRANSPORTER	03/10 - CURRENT	(T5, T6) TDI 3DR VAN, BUCKET & 3/4 BENCH - NO ARMREST	CQ065.407			PLEASE ENSURE SEAT CONFIGURATION MATCHES IMAGE SUPPLIED
VOLKSWAGEN	TRANSPORTER	03/10 - CURRENT	(T5, T6) MOTOR HOME	VWN1187.122			SWIVEL SEATS
VOLKSWAGEN	TRANSPORTER	03/10 - CURRENT	(T5) TDI 3DR VAN, BUCKET & 3/4 BENCH	CQ037.212			ARMRESTS NOT COVERED - PLEASE ENSURE SEAT CONFIGURATION MATCHES IMAGE SUPPLIED
VOLKSWAGEN	TRANSPORTER	03/10 - CURRENT	(T5) TDI 3DR VAN, BUCKET & 3/4 BENCH	CQ066.214			ARMRESTS NOT COVERED - PLEASE ENSURE SEAT CONFIGURATION MATCHES IMAGE SUPPLIED
VOLKSWAGEN	TRANSPORTER	03/10 - CURRENT	(T5, T6) TDI 3DR VAN, BUCKET SEATS	VWN1231.102C			
VOLKSWAGEN	TRANSPORTER	03/10 - CURRENT	(T5, T6) TDI 3DR VAN, BUCKET SEATS WITH ARMRESTS	CQ088.122			PLEASE ENSURE SEAT CONFIGURATION MATCHES IMAGE SUPPLIED
VOLKSWAGEN	TRANSPORTER	03/10 - CURRENT	(T5, T6) TDI 3DR VAN, DRIVER SIDE ONLY - SEE NOTES	VWN1347.175			UNIVERSAL ARM REST ALLOWANCE TO SUIT DRIVER SEAT WITH 0, 1 OR 2 ARM RESTS. ARM RESTS NOT COVERED. AOF AVAILABLE.
VOLKSWAGEN	TRANSPORTER	03/10 - 04/20	(T5, T6) TDI DUAL CAB	VWN1376.122		CQ087.717	
VOLKSWAGEN	TRANSPORTER	09/16 - CURRENT	(T5, T6) TDI DUAL CAB	CQ087.128		CQ087.717	PLEASE ENSURE SEAT CONFIGURATION MATCHES IMAGE SUPPLIED
VOLKSWAGEN	TRANSPORTER	02/17 - CURRENT	(T6) TDI 3DR VAN, BUCKET & 3/4 BENCH	CQ087.128			PLEASE ENSURE SEAT CONFIGURATION MATCHES IMAGE SUPPLIED
VOLKSWAGEN	T-ROC	07/17 - CURRENT	(A11, D11) 110 TSI, 140 TSI SPORT, 140 TSI X, CITYLIFE SUV	VWN1298.102C		VWN5252.965	RM - GBB
VOLKSWAGEN	T-ROC	07/17 - CURRENT	(A11, D11) 140 TSI R-LINE, R, R GRID SUV	VWN1455.121		VWN5252.965	RM5252 - GBB
VOLKSWAGEN	UP!	10/12 - 11/14	(AA) HATCH	CQ084.110		CQ084.1052	

MAKE	MODEL	YEAR	SERIES & SUB MODEL	Front Pattern Number	Middle Pattern Number	Rear Pattern Number	Notes
VOLVO	240	08/84 - 07/92	GL, GLE WAGON	CV002.101A		CV004.805	
VOLVO	240	08/84 - 07/93	GL, GLE SEDAN	CV008.101A		CV008.805	
VOLVO	244	75 - 82	DL SEDAN	CV006.101		CV006.805	
VOLVO	245	75 - 92	DL WAGON	CV003.101		CV003.702	
VOLVO	265	76 - 82	WAGON			CV011.702	
VOLVO	440	08/89 - 12/96	GLT HATCH			CV013.873	
VOLVO	740	08/84 - 07/88	GL SEDAN	CV002.101A		CV002.805	
VOLVO	740	08/88 - 91	GL SEDAN	CV005.101		CV005.801	
VOLVO	745	87 - 89	WAGON			CV001.502	
VOLVO	850	06/91 - 07/94	GLE SEDAN	CV012.102		CV012.847	
VOLVO	940	08/90 - 10/98	GL SEDAN	CV007.101A		CV007.801	
VOLVO	940	01/92 - 10/98	GL WAGON	CV009.101		CV001.502	
VOLVO	C40	06/22 - CURRENT	(539) ALL BADGES WAGON	VOL1449.121C		VOL5356.965	
VOLVO	EX40	04/24 - CURRENT	ALL BADGES SUV	VOL1126.102D		VOL5121.1032	
VOLVO	FE	15 - CURRENT	FE SERIES TRUCK	VOL1530.227			AOF ONLY.
VOLVO	FM11	17 - CURRENT	450 TRUCK	VOL1157.221			AOF ONLY. UNIVERSAL ARMREST ALLOWANCE TO SUIT 0, 1 OR 2 ARMRESTS.
VOLVO	FM11	17 - CURRENT	450 TRUCK	VOL1446.220			AOF ONLY. UNIVERSAL ARMREST ALLOWANCE TO SUIT 0, 1 OR 2 ARMRESTS.
VOLVO	FM13	2006 - 2010	440 SINGLE CAB TRUCK	VOL1380.158			
VOLVO	S40	07/95 - 03/01	SEDAN	CV014.112			HEADREST WILL BE SUPPLIED AS MOULDED DUE TO WAY HEADREST ARE IN VEHICLE
VOLVO	V40	02/13 - 06/18	T3, T4, T5 HATCH	VOL1344.102C		VOL5298.1046	CUP HOLDER ON REAR SEAT BASE NOT ALLOWED FOR
VOLVO	XC40	03/18 - CURRENT	(XZ) ALL BADGES SUV	VOL1126.102D		VOL5121.1032	
VOLVO	XC60	03/09 - 08/15	T6 ALL BADGES WAGON	VOL1057.102D			
VOLVO	XC60	02/11 - 10/17	T5 ALL BADGES WAGON	VOL1057.102D		VOL5194.1073	REAR - ARMREST NOT COVERED, 1 PIECE BASE (BOOSTER SEATS NOT ALLOWED FOR)
VOLVO	XC60	10/17 - CURRENT	ALL BADGES SUV	N/A		N/A	PATTERN TOO LARGE FOR PANEL
VOLVO	XC90	08/15 - CURRENT	ALL BADGES SUV	VOL1106.102D	VOL5105.980	VOL9133.931	MIDDLE - ARMREST NOT COVERED, BOOSTER SEAT NOT ALLOWED FOR.

MAKE	MODEL	YEAR	SERIES & SUB MODEL	Front Pattern Number	Middle Pattern Number	Rear Pattern Number	Notes
WESTERN STAR	X	19 - CURRENT	X MODEL TRUCK	WES1458.225			ISRI 5030-880 DRIVER SEAT AND SEARS STATIC PASSENGER SEAT. AOF ONLY
WESTERN STAR	TBA	19 - CURRENT	TRUCK	WES1382.191			ISRI 5030-880 DRIVER SEAT AND FIXED ISRI PASSENGER SEAT. AOF ONLY
WESTERN STAR	X	19 - CURRENT	X MODEL TRUCK	WES1385.194			ISRI 5030-880 DRIVER AND PASSENGER SEAT. AOF ONLY



BUS, TRUCK &
EARTHMOVING
SEAT COVER
CATALOGUE

MAKE	MODEL	YEAR	SERIES	Front Part Number	Middle Part Number	Rear Part Number	Notes
ACE	EV	07/22 - CURRENT	TROLLEY VEHICLE	ACE1387.147			AOF AVAILABLE

MAKE	MODEL	YEAR	SERIES	Front Part Number	Middle Part Number	Rear Part Number	Notes
BE-GE	3100	24 - CURRENT	3100 SERIES SINGLE SEAT WITH DUAL ARMREST & HEADREST	BEG1541.182			A/O ONLY. ARMREST NOT COVERED. ONE PIECE WITH SEPARATE HEADREST.
BE-GE		22 - CURRENT		BEG1440.180			A/O ONLY. ARMREST & HEADREST NOT COVERED. HEADREST ALLOWED FOR. (BE-GE SEAT) MADE FOR CP1200W ROLLER
BE-GE	3400	22 - CURRENT	3400 SINGLE SEAT WITH DUAL ARMREST & HEADREST	BEG1407.182			A/O ONLY
BE-GE	9000	22 - CURRENT	9000 SERIES SINGLE SEAT WITH DUAL ARMREST & HEADREST	BEG1417.180			A/O ONLY

MAKE	MODEL	YEAR	SERIES	Front Part Number	Middle Part Number	Rear Part Number	Notes
CASE	DOZER	22 - CURRENT	ALL BADGES DOZER	CAS1404.174			SINGLE SEAT. A/O ONLY.
CASE	EXCAVATOR	17 - CURRENT	CX17 EXCAVATOR	CAS1482.187			SINGLE SEAT. A/O ONLY.
CASE	EXCAVATOR	22 - CURRENT	CX58D EXCAVATOR	CAS1524.235			SINGLE SEAT. A/O ONLY.
CASE	EXCAVATOR	22 - CURRENT	CX60C & ONWARDS EXCAVATOR	CAS1345.173			SINGLE SEAT. ONE PIECE BACKREST TO COVER HEADREST & BACKREST. A/O ONLY.
CASE	ROLLER	22 - CURRENT	ALL BADGES ROLLER	CAS1402.179			SINGLE SEAT. A/O ONLY.
CASE	SKID STEER	22 - CURRENT	ALL BADGES LOADER	CAS1346.174			SINGLE SEAT. A/O ONLY.
CASE	WHEEL LOADER	22 - CURRENT	ALL BADGES WHEEL LOADER	CAS1403.197			SINGLE SEAT. A/O ONLY.

MAKE	MODEL	YEAR	SERIES	Front Part Number	Middle Part Number	Rear Part Number	Notes
CLAAS	TRACTOR	07 - CURRENT	ARES, ARION, ATLES, ATOS, AXION, AXOS, CELTIS, XERION 781 & 782 (UPTO 2013)	CLA1361.183			AOF ONLY. GRAMMER SEAT - WITHOUT HEATING, CLIMATE CONTROL AND DUALMOTION HEADREST. GRAMMER 721, 731, 741.
CLAAS	TRACTOR	N/A	ARION 650-610, 650-620, 660-510 & AXION 870-810, 950-920, 960-930 TRACTOR	CLA1415.198			AOF ONLY. SEARS D55 SEAT. ARMRESTS NOT COVERED

MAKE	MODEL	YEAR	SERIES	Front Part Number	Middle Part Number	Rear Part Number	Notes
COBO	M98	CURRENT	HIGH BACKREST, INTERACTIVE COMFORT SEAT (ICS) TO SUIT MAGNI TELEHANDLER RTH5.18	COB1572.245			AOF ONLY. SINGLE SEAT
COBO	M293	CURRENT	HIGH BACKREST, INTERACTIVE COMFORT SEAT (ICS) TO SUIT MAGNI TELEHANDLER RTH5.18	COB1572.245			AOF ONLY. SINGLE SEAT

MAKE	MODEL	YEAR	SERIES	Front Part Number	Middle Part Number	Rear Part Number	Notes
DAF	CF	07 - 20	75, 85 MANUAL TRANSMISSION TRUCK	DF001.124			
DAF	CF	07 - 20	75, 85 AUTOMATIC TRANSMISSION TRUCK	DF002.123			
DAF	LF	07 - CURRENT	45, 55 MANUAL TRANSMISSION TRUCK	DF001.124			
DAF	LF	07 - CURRENT	45, 55 AUTOMATIC TRANSMISSION TRUCK	DF002.123			
DAF	LF	17 - CURRENT	280 3 SEAT TRUCK	DF041.137			A/O ONLY
DAF	XF	08 - 20	105 2 SEAT TRUCK	DF003.125			

MAKE	MODEL	YEAR	SERIES	Front Part Number	Middle Part Number	Rear Part Number	Notes
DAIHATSU	DELTA	89 - 12/02	2 - 3 TONNE WIDE CAB TRUCK	CU055.304			
DAIHATSU	DELTA	89 - 12/02	2 - 3 TONNE NARROW CAB TRUCK	CU057.302			
DAIHATSU	DELTA	12/02 - 12/05	NARROW CAB 2DR TRUCK	DAI1411.304			

MAKE	MODEL	YEAR	SERIES	Front Part Number	Middle Part Number	Rear Part Number	Notes
DFAC	CAPTAIN	22 - CURRENT	CAPTAIN E 4500 / 6000 TRUCK	DFA1608.249			AOF ONLY. MT105

MAKE	MODEL	YEAR	SERIES	Front Part Number	Middle Part Number	Rear Part Number	Notes
DIECI	CEMENT MIXER	20 - CURRENT	F7000, L3500 & L4700 CEMENT MIXER	DIE1512.314			AOF ONLY
DIECI	DUMPER	20 - CURRENT	DUMPER 7000	DIE1512.314			AOF ONLY
DIECI	TELEHANDLER	20 - CURRENT	PEGASUS - CLASSIC, ELITE & ESSENTIAL TELEHANDLER	DIE1511.167			AOF ONLY
DIECI	TELEHANDLER	17 - CURRENT	ACTIVO S55 SERIES BVB1156 OPERATOR SEAT	DIE1447.222			AOF ONLY
DIECI	TELEHANDLER	24 - CURRENT	4T ICARUS & RUNNER TELEHANDLER	DIE1556.222			AOF ONLY

MAKE	MODEL	YEAR	SERIES	Front Part Number	Middle Part Number	Rear Part Number	Notes
DONGFENG	EQ6760	2018	28 SEAT BUS, SINGLE SEAT	DON1371.524			A/O ONLY. UNIVERSAL SEATBELT ALLOWANCE FROM LEFT OR RIGHT.

MAKE	MODEL	YEAR	SERIES	Front Part Number	Middle Part Number	Rear Part Number	Notes
DYNAPAC	ROLLER	22 - CURRENT	(BE-GE 3400) ROLLER	DYN1407.182			A/O ONLY
DYNAPAC	ROLLER	22 - CURRENT	CC1100VI & CC1200VI ROLLER	DYN1410.179			A/O ONLY. ARMREST NOT COVERED.
DYNAPAC	ROLLER	22 - CURRENT	(BE-GE 9000) CA35, CA1500PD, CA3500D, CA4600, CA5000D, CA6000D, CC2200, CO2200, CP224, CP274, CP2100 & CS1400 VI ROLLERS	DYN1417.180			A/O ONLY
DYNAPAC	ROLLER	22 - CURRENT	CA1500D, CA3500D, CA4000D, CA4600D & CA5000D				
DYNAPAC	ROLLER	22 - CURRENT	ROLLER WITHOUT HEADREST	DYN1481.229			A/O ONLY.
DYNAPAC	ROLLER	22 - CURRENT	CA55 ROLLER	DYN1559.229			A/O ONLY
DYNAPAC	ROLLER	22 - CURRENT	CC1250 ROLLER	DYN1479.179			A/O ONLY
DYNAPAC	ROLLER	22 - CURRENT	CC1400 ROLLER	DYN1486.179			A/O ONLY
DYNAPAC	SD1800W	22 - CURRENT	WHEELED PAVER	DYN1392.188			A/O ONLY
DYNAPAC	SD2500	22 - CURRENT	DUAL SEAT ROLLER	DYN1461.109C			A/O ONLY. ARMRESTS NOT COVERED

MAKE	MODEL	YEAR	SERIES	Front Part Number	Middle Part Number	Rear Part Number	Notes
FREIGHTLINER	CASCADIA	2019 - CURRENT	116 & 126 TRUCK	FRE1458.225			ISRI 5030-880 DRIVER SEAT AND SEARS STATIC PASSENGER SEAT. AOF ONLY
FREIGHTLINER	CASCADIA	2019 - CURRENT	116 & 126 TRUCK	FRE1382.191			ISRI 5030-880 DRIVER SEAT AND FIXED ISRI PASSENGER SEAT. AOF ONLY
FREIGHTLINER	CASCADIA	2019 - CURRENT	116 & 126 TRUCK	FRE1385.194			ISRI 5030-880 DRIVER AND PASSENGER SEAT. AOF ONLY

MAKE	MODEL	YEAR	SERIES	Front Part Number	Middle Part Number	Rear Part Number	Notes
GRAMMER	517	2010 - CURRENT	GRAMMER PRIMO 517 DRIVER SEAT WITH LARGE HEADREST	GRA1576.167			A/O ONLY
GRAMMER	722	CURRENT	MSG722 TO SUIT GOLD ACRE	GRA1300.168			A/O ONLY
GRAMMER	742	CURRENT	MSG742 TO SUIT GOLD ACRE	GRA1299.167			A/O ONLY
GRAMMER	ACTIMO XXL MSG97G/722	CURRENT	TO SUIT KOBELCO CAB EXCAVATORS - SK75SR, SK85MSR, SK100MSR, SK135SR, SK140LC, SK225SR, SK235SR, SK500LC	GRA1554.315			A/O ONLY. SINGLE SEAT WITH HEADREST
GRAMMER	ACTROS	01/20 - CURRENT	MP4 2551 MERCEDES ACTROS (963) 2641, 2643, 2651, 2653, 2658 & 2663 TRUCK	GRA1477.226			A/O ONLY. GRAMMER MP4 2551 SEATS
GRAMMER	MAXIMO PROFESSIONAL	2010 - CURRENT	GRAMMER MAXIMO PROFESSIONAL WITH TOOLBOX CUTOUT	GRA1592.184			A/O ONLY. SINGLE SEAT WITH HEADREST
GRAMMER	PRIMO XXM MSG65/522	CURRENT	TO SUIT KOBELCO CAB EXCAVATORS - SK26SR, SK35SR, SK55SRX	GRA1585.316			A/O ONLY. SINGLE SEAT WITH HEADREST
GRAMMER	PRIMO XXM MSG65/522	CURRENT	TO SUIT KOBELCO CANOPY EXCAVATORS - SK26SR, SK28SR, SK35SR, SK45SRX, SK55SRX	GRA1586.317			A/O ONLY. SINGLE SEAT EXCLUDING HEADREST
GRAMMER	PRIMO XXL MSG75	CURRENT	TO SUIT MAGNI TH3.6 TELEHANDLER	GRA1595.174			A/O ONLY. SINGLE SEAT EXCLUDING HEADREST. ROUND ALLOWANCE ON REAR OF BACKREST

MAKE	MODEL	YEAR	SERIES	Front Part Number	Middle Part Number	Rear Part Number	Notes
HIGER	ROADBOSS	09 - 18	57 SEAT BUS		HIG5254.1107	HIG9027.1108	A/O ONLY. ROW 2 - 14 = 5254, ROW 15 = 9027

MAKE	MODEL	YEAR	SERIES	Front Part Number	Middle Part Number	Rear Part Number	Notes
HINO	300	03/07 - 09/11	616, 716, 816, 916 WIDE SINGLE CAB TIPPER TRUCK	CT328.304			
HINO	300	10/11 - CURRENT	SINGLE WIDE CAB TRUCK	HIN1252.304			RM1252 - CVC. A/O ONLY. FRONT CONVERTED FROM CT474.
HINO	300	10/11 - CURRENT	(XZU) 616 SINGLE STANDARD NARROW CAB TRUCK	HIN1297.304			A/O ONLY
HINO	300	10/11 - CURRENT	(XJC, XJU) ALL BADGES CREW CAB WIDE TRUCK	HIN1296.304		HIN5251.704	A/O ONLY
HINO	500	07 - 10/18	(FC, FD, FG) 1018, 1024, 1527 TRUCK	HIN1200.156			
HINO	500	07 - CURRENT	(GT1322, GT1528) CREW CAB TRUCK	HIN1270.129		HIN5250.902	RM1270 - CVC. A/O ONLY. ISRI 6860-870 DRIVER WITH STATIC PASSENGER & FOLDING CENTRE SEAT.
HINO	500	11 - CURRENT	(FL, FM, GH) TRUCK	HIN1151.129			ISRI DRIVER SEAT WITH INTEGRATED SEATBELT
HINO	500	11 - CURRENT	(ALL SERIES) TRUCK	CT329.402			
HINO	500	12 - CURRENT	(FG, FL, FM, GH, GT) CREW CAB TRUCK	HIN1253.162			A/O ONLY
HINO	500	12 - CURRENT	(FG, FL, FM, GH, GT) SINGLE CAB TRUCK	HIN1270.129			RM1270 - CVC. A/O ONLY. ISRI 6860-870 DRIVER WITH STATIC PASSENGER & FOLDING CENTRE SEAT.
HINO	500	12 - CURRENT	(FG, FL, FM, GH, GT) TRUCK DRIVER SEAT ONLY	HIN1271.149			ISRI 6860 DRIVE SIDE ONLY. A/O ONLY
HINO	500	17 - CURRENT	(FG, FL, FM, GH, GT) SINGLE CAB TRUCK	HIN1343.129			A/O ONLY. ISRI DRIVER WITH AIR PASSENGER & FOLDING CENTRE SEAT.
HINO	500	10/18 - CURRENT	(FG) 1628 CREW CAB TRUCK	HIN1270.129		HIN5250.902	RM1270 - CVC. A/O ONLY. ISRI 6860-870 DRIVER WITH STATIC PASSENGER & FOLDING CENTRE SEAT.
HINO	500	11/18 - CURRENT	(FD, FE) 1124, 1424 CREW CAB TRUCK	HIN1269.162		HIN5250.902	A/O ONLY
HINO	500	11/18 - CURRENT	(FC, FD, FE) STD TRUCK	HIN1264.129			RM1264 - CVC. A/O ONLY
HINO	700	12 - 06/21	(FS, FY, SH, SS) TRUCK DRIVER SEAT ONLY	HIN1271.149			ISRI 6860 DRIVER SIDE ONLY. A/O ONLY
HINO	700	12 - 06/21	(FS, FY, SH, SS) CREW CAB TRUCK	HIN1253.162			A/O ONLY
HINO	700	12 - 06/21	(FS, FY, SH, SS) SINGLE CAB TRUCK	HIN1270.129			RM1270 - CVC. A/O ONLY. ISRI 6860-870 DRIVER WITH STATIC PASSENGER & FOLDING CENTRE SEAT.
HINO	700	06/21 - CURRENT	(FS, SH, FR, SS, FY) SINGLE CAB TRUCK	HIN1301.132			A/O ONLY. ISRI DRIVER & STANDARD PASSENGER
HINO	700	06/21 - CURRENT	(FH, FR, FS, FY, SH, SS) TRUCK	HIN1365.149			A/O ONLY. DRIVER SIDE ONLY. ISRI 6860/870 NTS2 WITH INTEGRATED SEAT BELT.
HINO	DUTRO	10/03 - 10/06	SINGLE CAB TRUCK	CT327.304			
HINO	RANGER PRO	03 - 09	(FC, FD, FG) 5, 6, 260 ACE, 9 TRUCK	HIN1200.156			

MAKE	MODEL	YEAR	SERIES	Front Part Number	Middle Part Number	Rear Part Number	Notes
HYUNDAI	MIGHTY	16 - CURRENT	EX4, EX5, EX6 2DR TRUCK	HYU1437.303			
HYUNDAI	MIGHTY	16 - CURRENT	EX4, EX6, EX8, EX9, EX10 2DR TRUCK	HYU1441.312			AOF AVAILABLE
HYUNDAI	MIGHTY	11/20 - CURRENT	EX6, EX9 2DR TRUCK (NZ ONLY)	HYU1476.303			AOF ONLY
HYUNDAI	MIGHTY	04/23 - CURRENT	(QTC.V1) ELECTRIC TRUCK	HYU1546.302			AOF ONLY

MAKE	MODEL	YEAR	SERIES	Front Part Number	Middle Part Number	Rear Part Number	Notes
ISRI	5030-880	N/A	5030-880 DRIVER & PASSENGER	ISR1385.194			ISRI 5030-880 DRIVER AND PASSENGER SEAT. AOF ONLY.
ISRI	5030-880	N/A	5030-880 DRIVER SEAT & FIXED ISRI PASSENGER	ISR1382.191			ISRI 5030-880 DRIVER SEAT AND FIXED ISRI PASSENGER SEAT. AOF ONLY
ISRI	6500-517	N/A	6500-517 SINGLE SEAT, SUITS DRIVER OR PASSENGER SIDE	ISR1372.187			FABRIC SKIRT PATTERN
ISRI	6860-870 NTS2	N/A	6860-870 NTS2 DRIVER WITH INTEGRATED SEAT BELT	ISR1365.149			A/O ONLY.
ISRI	6860-870 NTS2	N/A	6860-870 NTS2 DRIVER & PASSENGER WITH INTEGRATED SEAT BELT & ARMREST ALLOWANCES	ISR1594.248			AOF ONLY. ISRI 6860/870 NTS2 DRIVER & PASSENGER WITH INTEGRATED SEAT BELT & ARMRESTS. ARMRESTS NOT COVERED.
ISRI	6860-876	N/A	6860-876 DRIVER & PASSENGER WITH UNIVERSAL ARMREST ALLOWANCES.	ISR1375.189			A/O ONLY. UNIVERSAL ARMREST ALLOWANCE TO SUIT 1 OR 2 ARMRESTS. ARMRESTS NOT COVERED.

MAKE	MODEL	YEAR	SERIES	Front Part Number	Middle Part Number	Rear Part Number	Notes
ISUZU	ELF	06 - CURRENT	(NLR) NARROW CREW CAB TRUCK	ISU1283.213		CG303.956	RM1283 - CVC, RIB. A/O AVAILABLE.
ISUZU	ELF	07/15 - CURRENT	(NMR, NNR, NPR, NPS) WIDE CAB TRUCK	ISU1288.304			RM1288 - CVC. SUSPENSION SEAT NOT ALLOWED FOR. A/O AVAILABLE.
ISUZU	ELF	07/15 - CURRENT	(NMR, NNR, NPR, NPS) WIDE CAB TRUCK	ISU1290.304S			RM1290 - CVC, RIB. SUSPENSION SEAT ALLOWED FOR. A/O AVAILABLE.
ISUZU	ELF	07/15 - CURRENT	(NMR, NNR, NPR, NPS) WIDE CAB TRUCK	ISU1204.155			RM - CVC. DRIVER SEAT ONLY - SUSPENSION SEAT NOT ALLOWED FOR. A/O AVAILABLE
ISUZU	F SERIES	96 - 12/07	FRR500 TRUCK	CG300.402			
ISUZU	F SERIES	96 - 12/07	FRR500 TRUCK	ISU1281.120			ISRI 6500 DRIVER SUSPENSION, STATIC CENTRE & STD PASSENGER SEAT. FRONT CONVERTED FROM CG301.
ISUZU	F SERIES	11/07 - 06/16	(FRR, FSS) NARROW CREW CAB TRUCK	ISU1284.129		ISU5247.1040	RM1284 - CVC, RIB. A/O AVAILABLE. ISRI 6860 DRIVER SUSPENSION, FOLD DOWN STATIC CENTRE & STD PASSENGER SEAT FRONTS. FRONT CONVERTED FROM CG304. REAR CONVERTED FROM CG381.
ISUZU	F SERIES	11/07 - 06/16	(FTR, FTS) WIDE CREW CAB TRUCK	ISU1284.129		ISU5244.1040	RM1284 - CVC, RIB. A/O AVAILABLE. ISRI 6860 DRIVER SUSPENSION, FOLD DOWN STATIC CENTRE & STD PASSENGER SEAT FRONTS. FRONT CONVERTED FROM CG304. REAR CONVERTED FROM CG382.
ISUZU	F SERIES	11/07 - CURRENT	NARROW & WIDE CAB TRUCK	ISU1284.129			RM1284 - CVC, RIB. A/O AVAILABLE. ISRI 6860 DRIVER SUSPENSION, FOLD DOWN STATIC CENTRE & STD PASSENGER SEAT FRONTS. FRONT CONVERTED FROM CG304.
ISUZU	F SERIES	11/07 - CURRENT	NARROW & WIDE CAB TRUCK	ISU1287.130			RM1287 - CVC. A/O AVAILABLE. ISRI 6860 DRIVER SUSPENSION, FOLD DOWN STATIC CENTRE SEAT & ISRI 6860 PASSENGER WITH NO SEATBELT CUT-OUT. FRONT CONVERTED FROM CG471.
ISUZU	F SERIES	11/07 - CURRENT	NARROW & WIDE CAB TRUCK, DRIVER SEAT ONLY	ISU1146.149			A/O ONLY. ISRI 6860 SUSPENSION DRIVER SEAT ONLY.
ISUZU	F SERIES	07/16 - CURRENT	(FTR, FTS, FVD162-250) WIDE CREW CAB TRUCK	ISU1289.131		ISU5245.1040	RM1289 - CVC. A/O AVAILABLE. DRIVER & PASSENGER ISRI SUSPENSION SEAT WITH INTERGATED SEAT BELT. FRONT CONVERTED FROM CG473. REAR CONVERTED FROM CG475.
ISUZU	F SERIES	07/16 - CURRENT	(FTR, FTS, FVD162-250) TRUCK, PASSENGER SEAT ONLY	ISU1230.160			A/O AVAILABLE. ISRI PASSENGER SEAT ONLY, WITH INTEGRATED SEAT BELT.
ISUZU	F SERIES	07/16 - CURRENT	WIDE CREW CAB TRUCK (EXCLUDING FTR, FTS, FVD165-260)	ISU1284.129		ISU5245.1040	RM1284 - CVC, RIB. A/O AVAILABLE. ISRI 6860 DRIVER SUSPENSION, FOLD DOWN STATIC CENTRE & STD PASSENGER SEAT FRONTS. FRONT CONVERTED FROM CG304. REAR CONVERTED FROM CG475.
ISUZU	F SERIES	07/16 - CURRENT	WIDE CREW CAB TRUCK (EXCLUDING FTR, FTS, FVD165-260)	ISU1287.130		ISU5245.1040	RM1287 - CVC. RM5245 - CVC. A/O AVAILABLE. ISRI 6860 DRIVER SUSPENSION, FOLD DOWN STATIC CENTRE SEAT & ISRI 6860 PASSENGER WITH NO SEATBELT CUT-OUT. FRONT CONVERTED FROM CG471. REAR CONVERTED FROM CG475.
ISUZU	F SERIES	07/16 - CURRENT	NARROW CREW CAB TRUCK	ISU1284.129		ISU5246.1040	RM1284 - CVC, RIB. A/O AVAILABLE. ISRI 6860 DRIVER SUSPENSION, FOLD DOWN STATIC CENTRE & STD PASSENGER SEAT FRONTS. FRONT CONVERTED FROM CG304. REAR CONVERTED FROM CG476.
ISUZU	F SERIES	07/16 - CURRENT	NARROW CREW CAB TRUCK	ISU1287.130		ISU5246.1040	RM1287 - CVC. A/O AVAILABLE. ISRI 6860 DRIVER SUSPENSION, FOLD DOWN STATIC CENTRE SEAT & ISRI 6860 PASSENGER WITH NO SEATBELT CUT-OUT. REAR CONVERTED FROM CG476.
ISUZU	F SERIES	07/16 - CURRENT	(FTS) WIDE CREW CAB FIRE TRUCK - CAT 1	ISU1459.162		ISU5245.1040	AOF ONLY. MODIFIED SEATS FOR FIRE TRUCKS
ISUZU	F SERIES	01/19 - CURRENT	MCCONNELL SEAT DUAL CAB TRUCK			ISU5133.1089	A/O ONLY. MCCONNELL DESIGN SEAT
ISUZU	F SERIES	05/25 - CURRENT	(FVZ) FV2260-300 TRUCK	ISU1607.415			AOF ONLY
ISUZU	GIGA	02 - CURRENT	(CXZ, EXZ, EXY) 2DR TRUCK	ISU1286.132			RM1286 - CVC. A/O AVAILABLE. FRONT CONVERTED FROM CG470.
ISUZU	GIGA	18 - CURRENT	(CYZ) 530 2DR TRUCK	ISU1384.132			
ISUZU	I-BUS	16 - CURRENT	(NPS) 20 & 26 SEAT BUS - WIDE WIDTH SEATS	ISU1192.151 OR ISU1082.310	ISU5145.1093 ISU5146.1094 ISU5147.1095 ISU5148.1096 ISU5187.1096 ISU5188.1094		A/O ONLY. 1192 DRIVER SUSPENSION SEAT ALLOWED FOR 1082 SUSPENSION SEAT NOT ALLOWED FOR 5145 = SEATBELT FROM THE LEFT, HANDLE ON THE RIGHT 5146 = SEATBELT FROM THE RIGHT, NO HANDLE 5147 = SEATBELT FROM THE RIGHT, HANDLE ON THE LEFT 5148 = SEATBELT FROM THE LEFT, NO HANDLE 5187 = INCLUDES BABY SEAT ANCHOR ALLOWANCE, SEATBELT FROM THE LEFT, NO HANDLE 5188 = INCLUDES BABY SEAT ANCHOR ALLOWANCE, SEATBELT FROM THE RIGHT, NO HANDLE
ISUZU	I-BUS	21 - CURRENT	(NQR) 32 SEAT BUS - NARROW WIDTH SEATS	ISU1192.151 OR ISU1082.310	ISU5302.1093 ISU5303.1094 ISU5304.1095 ISU5305.1096	ISU5146.1094 ISU5148.1096	A/O ONLY. 1192 DRIVER SUSPENSION SEAT ALLOWED FOR 1082 SUSPENSION SEAT NOT ALLOWED FOR 5302 = SEATBELT FROM THE LEFT, HANDLE ON THE RIGHT 5303 = SEATBELT FROM THE RIGHT, NO HANDLE 5304 = SEATBELT FROM THE RIGHT, HANDLE ON THE LEFT 5305 = SEATBELT FROM THE LEFT, NO HANDLE 5146 = SEATBELT FROM THE RIGHT, NO HANDLE - REAR 5148 = SEATBELT FROM THE LEFT, NO HANDLE - REAR ROW ONLY
ISUZU	N SERIES	94 - 10/07	(NP, NQ) 300 - 500 WIDE CAB TRUCK	ISU1280.304			FRONT CONVERTED FROM CG299
ISUZU	N SERIES	01/96 - 12/04	(NK, NP, NQ) SINGLE & DUAL CAB TRUCK	CG049.303			
ISUZU	N SERIES	11/07 - 06/15	(NN, NP, NQ) WIDE CAB 2 DR TRUCK	ISU1282.304			RM1282 - CVC, RIB. A/O AVAILABLE. FRONT CONVERTED FROM CG302
ISUZU	N SERIES	11/07 - CURRENT	(NL, NMR) NARROW CREW CAB TRUCK	ISU1283.213		CG303.956	RM1283 - CVC, RIB. DRIVER SEAT DOES NOT HAVE SUSPENSION. A/O AVAILABLE. FRONT CONVERTED FROM CG303
ISUZU	N SERIES	11/07 - CURRENT	(NN, NP, NQ) WIDE CREW CAB TRUCK	ISU1282.304		ISU5243.956	RM1282 - CVC, RIB. RM5243 - CVC. A/O AVAILABLE. FRONT CONVERTED FROM CG302. REAR CONVERTED FROM CG380



MAKE	MODEL	YEAR	SERIES	Front Part Number	Middle Part Number	Rear Part Number	Notes
ISUZU	N SERIES	11/07 - CURRENT	(NPS) WIDE CREW CAB FIRE TRUCK - CAT 7	ISU1082.310		ISU5366.956	AOF ONLY. MODIFIED SEATS FOR FIRE TRUCKS
ISUZU	N SERIES	07/15 - CURRENT	(NN, NP, NQ) WIDE CAB 2 DR TRUCK	ISU1288.304			RM1288 - CVC. SUSPENSION SEAT NOT ALLOWED FOR. A/O AVAILABLE. FRONT CONVERTED FROM CG472.
ISUZU	N SERIES	07/15 - CURRENT	(NN, NP, NQ) WIDE CAB 2 DR TRUCK	ISU1290.304S			RM1290 - CVC, RIB. SUSPENSION SEAT ALLOWED FOR. A/O AVAILABLE. FRONT CONVERTED FROM CG474.
ISUZU	N SERIES	07/15 - CURRENT	(NN, NP, NQ) WIDE CAB 2 DR TRUCK DRIVER SEAT ONLY	ISU1204.155			RM - CVC. DRIVER SEAT ONLY - SUSPENSION SEAT NOT ALLOWED FOR. A/O AVAILABLE
ISUZU	N SERIES	07/15 - CURRENT	(NN, NP, NQ) WIDE CAB 2 DR TRUCK DRIVER SEAT ONLY	ISU1203.154			RM - CVC. DRIVER SEAT ONLY - SUSPENSION SEAT ALLOWED FOR. A/O ONLY.
ISUZU	N SERIES	06/20 - CURRENT	(NMR) MY22 NARROW CAB TRUCK	ISU1308.192			RM - CVC. DRIVER SUSPENSION SEAT NOT ALLOWED FOR. A/O AVAILABLE.
ISUZU	N SERIES	06/20 - CURRENT	(NMR) MY22 NARROW CAB TRUCK	ISU1307.169			RM1307 - CVC. A/O AVAILABLE. SUSPENSION SEAT ALLOWED FOR.
ISUZU	N SERIES	05/25 - CURRENT	(NQR) NQR80-190 WIDE CAB TRUCK	ISU1606.416			AOF ONLY. SUSPENSION SEAT ALLOWED FOR.

MAKE	MODEL	YEAR	SERIES	Front Part Number	Middle Part Number	Rear Part Number	Notes
IVECO	S-WAY	01/23 - CURRENT	S-WAY TRUCK	IVE1470.162			A/O ONLY. ISRI 6860/870 NTS2 DRIVER & PASSENGER WITH INTEGRATED SEAT BELT.
IVECO	S-WAY	01/23 - CURRENT	S-WAY TRUCK	IVE1594.248			AOF ONLY. ISRI 6860/870 NTS2 DRIVER & PASSENGER WITH INTEGRATED SEAT BELT & ARMRESTS. ARMRESTS NOT COVERED.

MAKE	MODEL	YEAR	SERIES	Front Part Number	Middle Part Number	Rear Part Number	Notes
JCB	BACKHOE	22 - CURRENT	1CXT, 2CX, 3CX, 4CX, 4CX ECO, 5CX, 5CX ECO BACKHOE	JCB1393.195			AOF ONLY. SINGLE SEAT. WITH HEADREST
JCB	BACKHOE	22 - CURRENT	3CX-ECO BACKHOE	JCB1480.229			AOF ONLY. SINGLE SEAT
JCB	BACKHOE	21 - CURRENT	1CX, 1CXT MINI BACKHOE LOADER	JCB1469.230			AOF ONLY. SINGLE SEAT. WITHOUT HEADREST
JCB	BACKHOE	24 - CURRENT	3CX PLUS, 5CX PRO BACKHOE	JCB1539.237			AOF ONLY. SINGLE SEAT
JCB	EXCAVATOR	18 - CURRENT	18Z-1 EXCAVATOR	JCB1468.179			AOF ONLY. SINGLE SEAT
JCB	EXCAVATOR	22 - CURRENT	35Z EXCAVATOR	JCB1464.174			AOF ONLY. SINGLE SEAT
JCB	MINI EXCAVATOR	22 - CURRENT	50Z, 86C MINI EXCAVATOR WITH HEADREST	JCB1488.187			AOF ONLY. SINGLE SEAT
JCB	MINI EXCAVATOR	22 - CURRENT	35Z, 50Z, 55Z, 60C MINI EXCAVATOR WITHOUT HEADREST	JCB1489.174			AOF ONLY. SINGLE SEAT
JCB	ROLLER	22 - CURRENT	CT260 ROLLER	JCB1463.179			AOF ONLY. SINGLE SEAT
JCB	SF383	CURRENT	LOADALL, 531-70, 533-105, 535-95, 540-170, 560-80 & 411HT	JCB1369.184			A/O ONLY. SINGLE SEAT
JCB	SF993	CURRENT	AGRI-PRO TELEHANDLER LOADALL WITH HEAT SWITCH - 532-70, 542-70	JCB1370.185			A/O ONLY. SINGLE SEAT
JCB	SITE DUMPER	22 - CURRENT	6T, 9T-3 SITE DUMPER WITH TOOLBOX ALLOWANCE	JCB1487.179			AOF ONLY. SINGLE SEAT
JCB	SKID STEER	22 - CURRENT	215, 270, 300, 3TS SKID STEER LOADER	JCB1467.174			AOF ONLY. SINGLE SEAT
JCB	SKID STEER	22 - CURRENT	155 & 205 SKID STEER LOADER	JCB1466.179			AOF ONLY. SINGLE SEAT
JCB	TELEHANDLER	22 - CURRENT	TM320S TELEHANDLER	JCB1493.231			AOF ONLY. SINGLE SEAT
JCB	TELEHANDLER	22 - CURRENT	55S-210R ROTATING TELEHANDLER	JCB1549.184			AOF ONLY. SINGLE SEAT
JCB	TRACKED EXCAVATOR	14 - 20	J2140 TRACKED EXCAVATOR	JCB1491.152			AOF ONLY. SINGLE SEAT
JCB	TRACKED EXCAVATOR	21 - CURRENT	JS220X, JS245XR TRACKED EXCAVATOR	JCB1492.232			AOF ONLY. SINGLE SEAT
JCB	WHEEL LOADER	22 - CURRENT	409 HT WHEEL LOADER	JCB1514.233			AOF ONLY. SINGLE SEAT
JCB	WHEELED EXCAVATOR	22 - CURRENT	110 HYDRADIG, POTHOLE PRO WHEELED EXCAVATOR	JCB1490.187			AOF ONLY. SINGLE SEAT

MAKE	MODEL	YEAR	SERIES	Front Part Number	Middle Part Number	Rear Part Number	Notes
JOYLONG	E6	01/22 - CURRENT	ELECTRIC MINIBUS 12 & 14 SEAT, 5 ROWS	JOY1439.102C	JOY5348.708 JOY5349.1009	JOY9047.1153	ROW 2 = 5348, ROW 3 & 4 = 5349, ROW 5 = 9047. AOF AVAILABLE

MAKE	MODEL	YEAR	SERIES	Front Part Number	Middle Part Number	Rear Part Number	Notes
KAB	N/A	N/A	KAB SEAT WITH HEADREST. SUITS KOBELCO CAB - SK200, SK250, SK380XDLC, SK500XDLC EXCAVATORS	KAB1587.180			AOF ONLY. SINGLE SEAT WITH HEADREST. KAB SEAT (MODEL TBC).
KAB155	N/A	N/A	KAB155 WITHOUT HEADREST. SUITS CATERPILLAR, JCB, KOMATSU, MAGNI MACHINERY	KAB1571.179			AOF ONLY. SINGLE SEAT
KAB211	N/A	N/A	KAB211 WITHOUT HEADREST, BACKREST & BASE ARE JOINED / ONE PIECE. SUITS KOBELCO CAB SK45SRX EXCAVATOR	KAB1588.179			AOF ONLY. SINGLE SEAT
KAB555	N/A	N/A	KAB555 WITHOUT HEADREST. SUITS CATERPILLAR, JCB, KOMATSU, MAGNI MACHINERY	KAB1571.179			AOF ONLY. SINGLE SEAT
KAB564	N/A	N/A	KAB564 HIGH BACK AIR SUSPENSION SEAT WITH HEADREST. SUITS CATERPILLAR, HITACHI, HYUNDAI, KOBELCO, KOMATSU, LIEBHERR, TEREX, VOLVO MACHINERY.	KAB1574.187			AOF ONLY. ARMRESTS NOT ALLOWED FOR

MAKE	MODEL	YEAR	SERIES	Front Part Number	Middle Part Number	Rear Part Number	Notes
KING LONG	BUS - REGULAR	22 - CURRENT	BUS / COACH SEATS VARY REFER TO PASSENGER SEAT IMAGES 39 PASSENGER + DRIVER (9.1MTR) 41 - 45 PASSENGER + DRIVER (10.1MTR) 53 - 57 PASSENGER + DRIVER (12.5MTR) 59 - 61 PASSENGER + DRIVER (13.1MTR)	KIN1602.246	KIN5427.1101 KIN5428.1100 KIN5446.1093 KIN5447.1095 KIN5448.1096 KIN5449.1094	AOF ONLY. 1602 = ISRI SINGLE DRIVER SEAT 5427 = INCLUDES ISOFIX, SEATBELT FROM THE RIGHT, NO HANDLE 5428 = INCLUDES ISOFIX, SEATBELT FROM THE LEFT, NO HANDLE 5446 = SEATBELT FROM THE LEFT, HANDLE ON THE RIGHT 5447 = SEATBELT FROM THE RIGHT, HANDLE ON THE LEFT 5448 = SEATBELT FROM THE LEFT, NO HANDLE	
KING LONG	BUS - DELUXE	22 - CURRENT	BUS / COACH (FAINSA SEATING) SEATS VARY REFER TO PASSENGER SEAT IMAGES 39 PASSENGER + DRIVER (9.1MTR) 41 - 45 PASSENGER + DRIVER (10.1MTR) 53 - 57 PASSENGER + DRIVER (12.5MTR) 59 - 61 PASSENGER + DRIVER (13.1MTR)	KIN1602.246	KIN5429.727 KIN5430.726 KIN5453.725 KIN5454.724	AOF ONLY 1602 = ISRI SINGLE DRIVER SEAT 5429 = INCLUDES ISOFIX, SEATBELT FROM THE LEFT, USB, GRAB HANDLE 5430 = INCLUDES ISOFIX, SEATBELT FROM THE RIGHT, USB, GRAB HANDLE 5453 = SEATBELT FROM THE LEFT, USB, GRAB HANDLE	

MAKE	MODEL	YEAR	SERIES	Front Part Number	Middle Part Number	Rear Part Number	Notes
KOBELCO	EXCAVATOR	22 - CURRENT	CAB MODELS - SK26SR, SK35SR, SK55SRX EXCAVATOR	KOB1585.316			GRAMMER PRIMO XXM MSG65/522 SEAT. AOF ONLY. SINGLE SEAT WITH HEADREST
KOBELCO	EXCAVATOR	22 - CURRENT	CANOPY MODELS - SK26SR, SK28SR, SK35SR, SK45SRX, SK55SRX EXCAVATOR	KOB1586.317			GRAMMER PRIMO XXM MSG65/522 SEAT. AOF ONLY. SINGLE SEAT EXCLUDING HEADREST
KOBELCO	EXCAVATOR	22 - CURRENT	CAB MODELS - SK200, SK250, SK380XDLC, SK500XDLC EXCAVATOR	KOB1587.180			KAB SEAT (MODEL TBC). AOF ONLY. SINGLE SEAT WITH HEADREST.
KOBELCO	EXCAVATOR	22 - CURRENT	CAB MODEL - SK45SRX EXCAVATOR	KOB1588.179			KAB211 SEAT. AOF ONLY. SINGLE SEAT EXCLUDING HEADREST. BACKREST & BASE ARE JOINED (ONE PIECE)
KOBELCO	EXCAVATOR	22 - CURRENT	CANOPY MODEL - SK17SR, SK17.6 WITH TOOLBOX	KOB1589.245			AOF ONLY. SINGLE SEAT EXCLUDING HEADREST. SEAT MODEL TBC.
KOBELCO	EXCAVATOR	10 - CURRENT	GRAMMER MAXIMO PROFESSIONAL WITH TOOLBOX CUTOUT	KOB1592.184			AO ONLY. SINGLE SEAT WITH HEADREST. MACHINERY DETAILS TBC
KOBELCO	EXCAVATOR	22 - CURRENT	CAB MODELS - SK75SR, SK85MSR, SK100MSR, SK135SR, SK140LC, SK225SR, SK235SR, SK500LC EXCAVATOR	KOB1554.315			GRAMMER ACTIMO XXL MSG97G/722 SEAT. AOF ONLY. SINGLE SEAT WITH HEADREST




MAKE	MODEL	YEAR	SERIES	Front Part Number	Middle Part Number	Rear Part Number	Notes
LDV	DELIVER 9	07/20 - CURRENT	(SV63) MINIBUS	LDV1277.127	LDV5345.1150 LDV5346.1151	LDV9046.1152	ROW 2 = 5345, ROW 3 = 5346, ROW 4 = 9046. FABRIC SKIRT PATTERN WITH SEAT CURTAIN ALLOWANCE.
LDV	V80	01/13 - CURRENT	(K1) MINIBUS	LDV1277.127	LDV5345.1150 LDV5346.1151	LDV9046.1152	ROW 2 = 5345, ROW 3 = 5346, ROW 4 = 9046. FABRIC SKIRT PATTERN WITH SEAT CURTAIN

MAKE	MODEL	YEAR	SERIES	Front Part Number	Middle Part Number	Rear Part Number	Notes
LIUGONG	EXCAVATOR	22 - CURRENT	9018F, 9027F ZTS EXCAVATOR	LIU1356.179			AOF ONLY. SINGLE SEAT
LIUGONG	EXCAVATOR	22 - CURRENT	915E, 922E, 925E, 930E EXCAVATOR	LIU1359.182			AOF ONLY. SINGLE SEAT
LIUGONG	EXCAVATOR	22 - CURRENT	906E EXCAVATOR	LIU1358.181			AOF ONLY. SINGLE SEAT
LIUGONG	EXCAVATOR	22 - CURRENT	9035E EXCAVATOR	LIU1399.174			AOF ONLY. SINGLE SEAT
LIUGONG	EXCAVATOR	22 - CURRENT	915FCR EXCAVATOR	LIU1408.167			AOF ONLY. SINGLE SEAT
LIUGONG	LOADER	22 - CURRENT	835H, 838H, 848H, 856H, 862H WHEEL LOADER	LIU1360.182			AOF ONLY. SINGLE SEAT
LIUGONG	LOADER	22 - CURRENT	838T, 848T WHEEL LOADER	LIU1553.197			AOF ONLY. SINGLE SEAT
LIUGONG	ROLLER	22 - CURRENT	6615E ROLLER	LIU1358.181			AOF ONLY. SINGLE SEAT
LIUGONG	ROLLER	22 - CURRENT	6520E ROLLER	LIU1357.180			AOF ONLY. SINGLE SEAT
LIUGONG	SKIDSTEER	22 - CURRENT	365B, 375B, 385B SKIDSTEER	LIU1474.179			AOF ONLY. SINGLE SEAT

MAKE	MODEL	YEAR	SERIES	Front Part Number	Middle Part Number	Rear Part Number	Notes
MAGNI	TELEHANDLER	20 - CURRENT	TELESCOPIC HANDLER, ACTIVO SEAT	MAG1569.184			AOF ONLY. SINGLE SEAT
MAGNI	TELEHANDLER	20 - CURRENT	TELESCOPIC HANDLER (SUITS RTH5.18, TH3.6) GRAMMER MSG85 / MSG285 SEAT	MAG1570.244			AOF ONLY. SINGLE SEAT
MAGNI	TELEHANDLER	20 - CURRENT	TELESCOPIC HANDLER, KAB 155 SEAT	MAG1571.179			AOF ONLY. SINGLE SEAT
MAGNI	TELEHANDLER	20 - CURRENT	TELESCOPIC HANDLER (SUITS RTH5.18), COBO - M98, M293 HIGH BACK REST INTERACTIVE COMFORT SEAT	MAG1572.245			AOF ONLY. SINGLE SEAT
MAGNI	TELEHANDLER	20 - CURRENT	TELESCOPIC HANDLER (SUITS TH3.6) GRAMMER PRIMO XXL MSG75 SEAT	MAG1595.174			AOF ONLY. SINGLE SEAT. ROUND ALLOWANCE ON REAR OF BACKREST

MAKE	MODEL	YEAR	SERIES	Front Part Number	Middle Part Number	Rear Part Number	Notes
MERCEDES	ACTROS	01/20 - CURRENT	(963) 2641, 2643, 2651, 2653, 2658 & 2663 TRUCK	MER1477.226			A/O ONLY. GRAMMER MP4 2551 SEATS
MERCEDES	ATEGO	20 - CURRENT	(967) ALL BADGES TRUCK	MER1567.189			A/O ONLY. DRIVER & PASSENGER ISRI 6860-876 WITH UNIVERSAL ARMREST ALLOWANCES. ARMRESTS NOT COVERED.
MERCEDES	SPRINTER	02/10 - 09/18	(316, 414) TRANSFER BUS	MER1247.161	MER5226.1115 MER5227.1116	MER9032.1117	4 ROWS
MERCEDES	SPRINTER	01/22 - CURRENT	(414, 415, 419) VS30 TRANSFER 12 SEATER BUS	MER1349.175	MER5326.1145 MERS327.1145	MER9044.1146	ROW 1 - 176, Row 2 - 1145 , Row 3 - 1146 , Row 4 - 1146

MAKE	MODEL	YEAR	SERIES	Front Part Number	Middle Part Number	Rear Part Number	Notes
MERLO	TELEHANDLER	21 - CURRENT	ALL MODELS, TELEHANDLER	MRL1523.187			A/O ONLY

MAKE	MODEL	YEAR	SERIES	Front Part Number	Middle Part Number	Rear Part Number	Notes
mitsubishi fuso	CANTER	08/95 - 09/08	(FE, FG) 600 SERIES WIDE CAB TRUCK	CM105.303		CM223.1037	
mitsubishi fuso	CANTER	97 - 02	(FE) 537 NARROW CAB TRUCK	MIT1256.303			
mitsubishi fuso	CANTER	04 - 10	(FE) 2.5, 3.5, 4.5 NARROW SINGLE CAB TRUCK AND TIPPER	CM280.304			
mitsubishi fuso	CANTER	04 - 10	(FE) 2.0, 3.5, 4.5 WIDE SINGLE CAB TRUCK AND TIPPER	CM281.304			
mitsubishi fuso	CANTER	08/08 - 10/11	(FE, FG) 800 SERIES WIDE CAB TRUCK	CM281.304		CM223.1037	
mitsubishi fuso	CANTER	06/11 - 10/16	(FG) 615, 715, 815 WIDE CAB TRUCK	CM225.126		CM225.865	FRONT A/O AVAILABLE. REAR A/O ONLY
mitsubishi fuso	CANTER	06/11 - 10/16	(FE) 413, 515, 516, 616 CITY NARROW CAB TRUCK	CM221.126			A/O AVAILABLE
mitsubishi fuso	CANTER	11/11 - CURRENT	(FE) 615, 616, 715, 815, 816, 918 WIDE 2DR TRUCK	MIT1333.136			RM1333 - CVC. A/O AVAILABLE. FRONT CONVERTED FROM CM244.
mitsubishi fuso	CANTER	10/16 - CURRENT	(FE) 413, 515, 516, 616 CITY NARROW TRUCK	MIT1412.136			RM1412 - CVC. A/O AVAILABLE. FRONT CONVERTED FROM CM243.
mitsubishi fuso	CANTER	10/16 - CURRENT	(FG) 515, 715, 716 WIDE 2DR & 4DR TRUCK	MIT1333.136		CM225.865	RM1333 - CVC. FRONT A/O AVAILABLE. FRONT CONVERTED FROM CM244. REAR A/O ONLY
mitsubishi fuso	FIGHTER	11/07 - 04/11	(FK, FM, FN) ALL BADGES TRUCK	CM247.402			
mitsubishi fuso	FIGHTER	05/11 - CURRENT	(FK, FM, FN) ALL BADGES TRUCK	MIT1291.402			RM1291 - CVC. A/O AVAILABLE. FRONT CONVERTED FROM CM226.
mitsubishi fuso	HEAVY DUTY	11 - CURRENT	(FP, FS, FV, SHOGUN) 2 SEAT SINGLE CAB TRUCK	CM227.110			A/O ONLY
mitsubishi fuso	HEAVY DUTY	11 - CURRENT	(FP, FS, FV, SHOGUN) 3 SEAT SINGLE CAB TRUCK	CM228.400			A/O ONLY
mitsubishi fuso	ROSA BUS	08 - CURRENT	(BE) DELUXE 25 SEAT (9 ROWS)	MIT1095.145	MIT5092.1083 MIT5093.1084	MIT9010.1085	RM1095 - CVC. A/O ONLY. ROW 1 =1095, ROW 2 =5092, ROW 3-8 =5093, ROW 9 =9010
mitsubishi fuso	ROSA BUS	08 - CURRENT	(BE) DELUXE 22 SEAT (8 ROWS)	MIT1095.145	MIT5092.1083 MIT5093.1084	MIT9010.1085	RM1095 - CVC. A/O ONLY ROW 1 =1095, ROW 2 =5092, ROW 3-7 =5093, ROW 8 =9010
mitsubishi fuso	SHOGUN	01/19 - CURRENT	(FP, FS, FU, FV) 2 SEAT SINGLE CAB TRUCK	MIT1142.148			RM1142 - CVC. A/O ONLY
mitsubishi fuso	SHOGUN	01/19 - CURRENT	(400) - FV74, FS72, FS76 & (460) - FS72, FS76 SEAT HEAVY TRUCK	MIT1405.215			A/O ONLY
NEW HOLLAND	POSI TRACK	22 - CURRENT	POSI COMPACT TRACK LOADER RANGE -C327, C332, C338	NHO1636.244			AOF ONLY
NEW HOLLAND	SKID STEER WHEEL LOADER	22 - CURRENT	SKID STEER LOADER RANGE -L313, L315, L318, L320, L325, L330	NHO1636.244	 		AOF ONLY
NEW HOLLAND	WHEEL LOADER	22 - CURRENT	WHEEL LOADER RANGE - W11D, W130D, W170D, W190D	NHO1637.197			AOF ONLY

MAKE	MODEL	YEAR	SERIES	Front Part Number	Middle Part Number	Rear Part Number	Notes
NISSAN	CABSTAR	05/89 - 06/92	(H40) DUAL CAB COMMERCIAL TRUCK	CD128.301		CD128.701	
NISSAN	UD	01/19 - CURRENT	CRONER TRUCK	NIS1354.178			AOF ONLY
NISSAN	UD	N/A	QUON TRUCK	NIS1353.177			AOF ONLY
NISSAN	URVAN	09/82 - 08/90	(E23, E24) SGL PEOPLE MOVER, MINIBUS	CD040.402	CD040.504	CD040.704	

MAKE	MODEL	YEAR	SERIES	Front Part Number	Middle Part Number	Rear Part Number	Notes
SEARS	D55	N/A	TRACTOR	SEA1415.198			AOF ONLY. ARMRESTS NOT COVERED

MAKE	MODEL	YEAR	SERIES	Front Part Number	Middle Part Number	Rear Part Number	Notes
STRATOS	785	CURRENT	DRIVER SEAT ONLY (EXCLUDES INTEGRATED SEATBELT)	STR1367.190			FRONT CONVERTED FROM CG482
STRATOS	3000 LTSS	CURRENT	DRIVER & PASSENGER SUSPENSION BUCKET SEATS WITH INNER ARMRESTS	STR1293.166			A/O ONLY
STRATOS	3000 LTSS	CURRENT	DRIVER & PASSENGER SUSPENSION BUCKET SEATS	STR1294.108C			RM - CVC. A/O ONLY

MAKE	MODEL	YEAR	SERIES	Front Part Number	Middle Part Number	Rear Part Number	Notes
TECHSAFE	INTERLINE	22 - CURRENT	QUAD SEAT	N/A		TEC5351.526	AOF ONLY
TECHSAFE	INTERLINE	22 - CURRENT	QUAD SEAT WITH SENSOR POCKETS ON SEATS	N/A		TEC5355.526	AOF ONLY. SEATBELT SENSOR POCKET ON SEAT BASE.

MAKE	MODEL	YEAR	SERIES	Front Part Number	Middle Part Number	Rear Part Number	Notes
THWAITES	DUMPER	22 - CURRENT	ALL MODELS, DUMPER	THW1483.179			SINGLE SEAT. A/O ONLY

MAKE	MODEL	YEAR	SERIES	Front Part Number	Middle Part Number	Rear Part Number	Notes
TOYOTA	COASTER	04/17 - CURRENT	(XZB70R) DELUXE, STANDARD 22 SEAT BUS	TOY1340.172	SEE NOTES	SEE NOTES	AOF PATTERN ONLY AVAILABLE. ROW 2 = TOY5280.1133 ROW 3 = TOY5281.1135 ROW 4, 5, 6 & 8 = TOY5282.1134 ROW 7 = TOY5283.1134
TOYOTA	COASTER	04/17 - CURRENT	(XZB70R) DELUXE & STANDARD WITH SEAT SENSOR POCKET UNDER BASE 22 SEAT BUS	TOY1340.172	SEE NOTES	SEE NOTES	AOF PATTERN ONLY AVAILABLE. ROW 2 = TOY5294.1133 ROW 3 = TOY5295.1135 ROW 4, 5, 6 & 8 = TOY5296.1134 ROW 7 = TOY5297.1134
TOYOTA	DYNA	80 - 85	(RY31) TOYOACE 2DR BUS	CT205.302			
TOYOTA	DYNA	11/85 - 06/95	100-200 SERIES	CT200.400		CT200.701	
TOYOTA	DYNA	08/88 - 05/95	300 SERIES DUAL CAB	CT201.400		CT206.701	
TOYOTA	DYNA	05/95 - 07/01	100 -150 SERIES TRUCK	CT202.303			
TOYOTA	DYNA	05/99 - 01/04	200 LONG, 200 WIDE TRUCK	CT207.411			
TOYOTA	DYNA	12/99 - 01/04	200 SERIES	CT203.410			
TOYOTA	HIACE	12/82 - 83	COMMUTER BUS (5 ROWS)	CT135.305	CT135.501	CT135.701	2ND, 3RD & 4TH ROW PIC 501
TOYOTA	HIACE	83 - 01/84	COMMUTER BUS (5 ROWS)	CT135.305	CT135.501	CT140.702	2ND, 3RD & 4TH ROWS PIC 501
TOYOTA	HIACE	10/89 - 02/05	COMMUTER BUS (5 ROWS)	CT143.303	CT143.501	CT143.702	2ND, 3RD & 4TH ROWS PIC 501
TOYOTA	HIACE	01/05 - 01/19	COMMUTER BUS 12 & 14 SEAT	TOY1034.110	TOY5387.708 TOY5388.1009	TOY9057.1155	RM1034 - STC, TRB, TRG. AO AVAILABLE 1034. ROW 2 = 5387, ROW 3 & 4 = 5388, ROW 5 = 9057. CONFIGURATIONS VARY, CHECK IMAGES.
TOYOTA	HIACE	01/05 - 01/19	(KDH) COMMUTER BUS	TOY1034.110	TOY5284.1137 TOY5285.1136	TOY5285.1136	RM1034 - STC, TRB, TRG. AO AVAILABLE 1034. VARIOUS SEAT CONFIGURATIONS AVAILABLE, PLEASE CHECK IMAGES. ROW 2 = TOY5284.1137, ROW 3 & 4 = TOY5285.1136
TOYOTA	HIACE	02/19 - CURRENT	SLWB & GL COMMUTER BUS 5 ROWS	TOY1121.102C	TOY5119.821 TOY5309.1009 TOY5120.1009	TOY9014.821	RM1121 - G2B, STC, TRB, TRG. AOF AVAILABLE ALL ROWS. ROW 1 = 1121, ROW 2 = 5119, ROW 3 = 5309, ROW 4 = 5120, ROW 5 = 9014
TOYOTA	HIACE	02/19 - CURRENT	SLWB & GL COMMUTER BUS 5 ROWS WITH SEAT SENSOR POCKET UNDER BASE	TOY1121.102C	TOY5300.821 TOY5308.1009 TOY5301.1009	TOY9041.821	RM1121 - G2B, STC, TRB, TRG. AOF AVAILABLE ALL ROWS. ROW 2 - 5 ARE A/O ONLY (NO POLY PATTERN). ROW 1 = 1121, ROW 2 = 5300, ROW 3 = 5308, ROW 4 = 5301, ROW 5 = 9041
TOYOTA	HIACE	02/19 - CURRENT	(GDH) 11 SEAT COMMUTER BUS 4 ROWS	TOY1121.102C	TOY5119.821 TOY5248.1125	TOY9034.1126	RM1121 - G2B, STC, TRB, TRG. AOF AVAILABLE 1121 & 5119. ROW 1 = 1121, ROW 2 = 5119, ROW 3 = 5248, ROW 4 = 9034

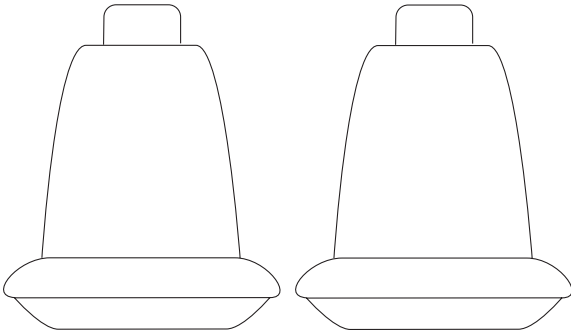
MAKE	MODEL	YEAR	SERIES	Front Part Number	Middle Part Number	Rear Part Number	Notes
VOLKSWAGEN	CARAVELLE	93 - 12/96	(T4) MINIBUS	CQ001.102	CQ001.516	CQ001.713	
VOLKSWAGEN	CARAVELLE	10/97 - 03/03	(T4) GLS MINIBUS	CQ004.109	CQ004.939	CQ004.938	
VOLKSWAGEN	CARAVELLE	09/00 - 06/05	(T4) TDI MINIBUS	CQ004.109	CQ004.939	CQ004.938	
VOLKSWAGEN	CARAVELLE	07/06 - 02/10	(T5) 8 SEAT MINIBUS	CQ051.410	CQ016.1025	CQ016.717	
VOLKSWAGEN	CARAVELLE	03/10 - CURRENT	(T5, T6) TDI 9 SEAT MINIBUS	CQ016.122C	CQ016.1025 CQ016.1026	CQ016.717	ROW 1 = PIC 122C, ROW 2 = PIC 1025, ROW 3 = PIC 1026, ROW 4 = PIC 717

MAKE	MODEL	YEAR	SERIES	Front Part Number	Middle Part Number	Rear Part Number	Notes
VOLVO	FE	15 - CURRENT	FE SERIES TRUCK	VOL1530.227			AOF ONLY.
VOLVO	FM11	17 - CURRENT	450 TRUCK	VOL1157.221			AOF ONLY. UNIVERSAL ARMREST ALLOWANCE TO SUIT 0, 1 OR 2 ARMRESTS.
VOLVO	FM11	17 - CURRENT	450 TRUCK	VOL1446.220			AOF ONLY. UNIVERSAL ARMREST ALLOWANCE TO SUIT 0, 1 OR 2 ARMRESTS.
VOLVO	FM13	2006 - 2010	440 SINGLE CAB TRUCK	VOL1380.158			

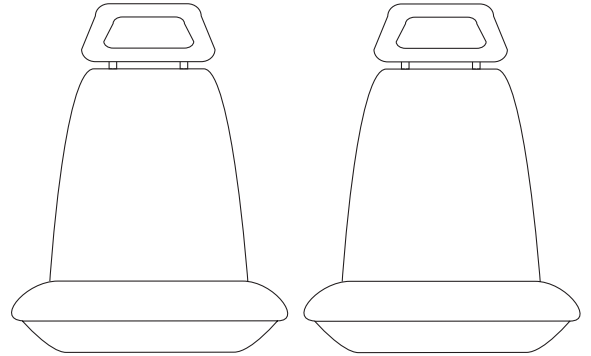
MAKE	MODEL	YEAR	SERIES	Front Part Number	Middle Part Number	Rear Part Number	Notes
WESTERN STAR	X	19 - CURRENT	X MODEL TRUCK	WES1458.225			ISRI 5030-880 DRIVER SEAT AND SEARS STATIC PASSENGER SEAT. AOF ONLY.
WESTERN STAR	X	19 - CURRENT	X MODEL TRUCK	WES1385.194			ISRI 5030-880 DRIVER AND PASSENGER SEAT. AOF ONLY
WESTERN STAR	TBA	19 - CURRENT	TRUCK	WES1382.191			ISRI 5030-880 DRIVER SEAT AND FIXED ISRI PASSENGER SEAT. AOF ONLY

FRONT SEATS

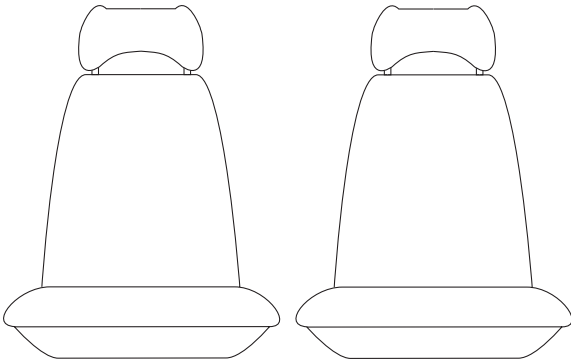
101



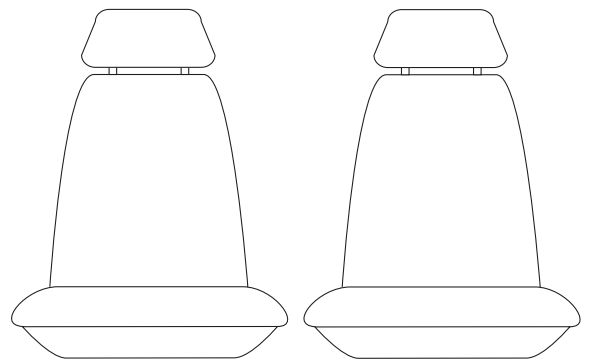
101A



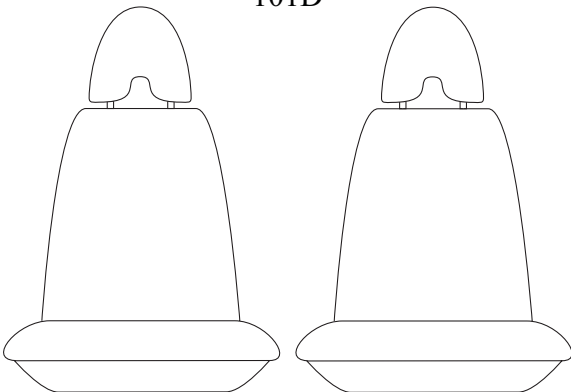
101B



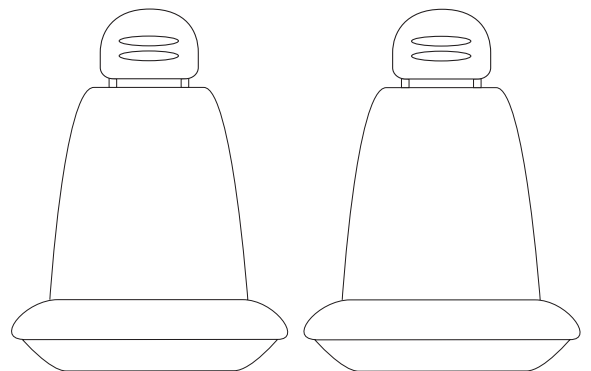
101C



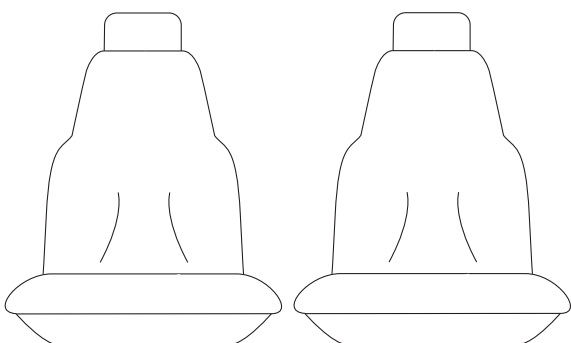
101D



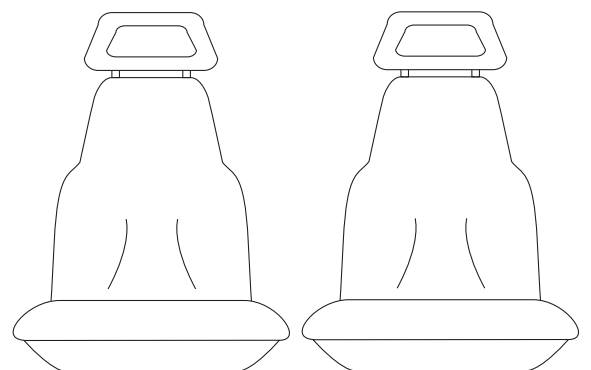
101F



102

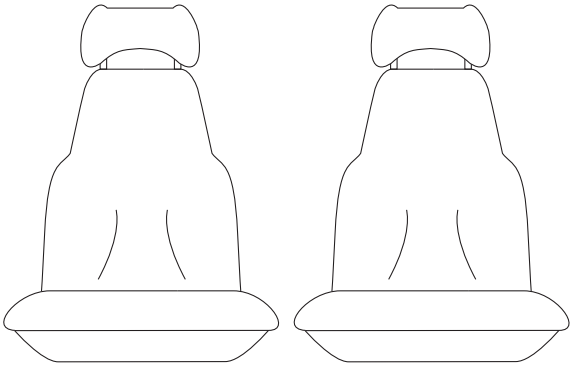


102A

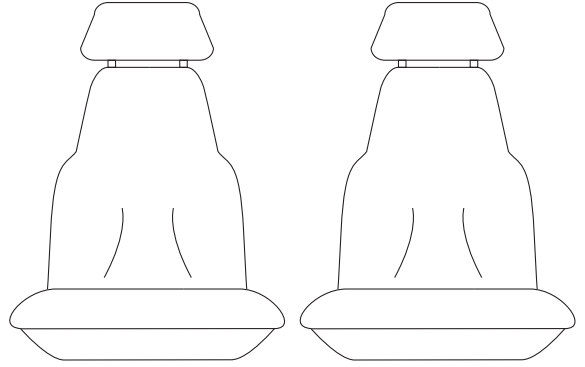


FRONT SEATS

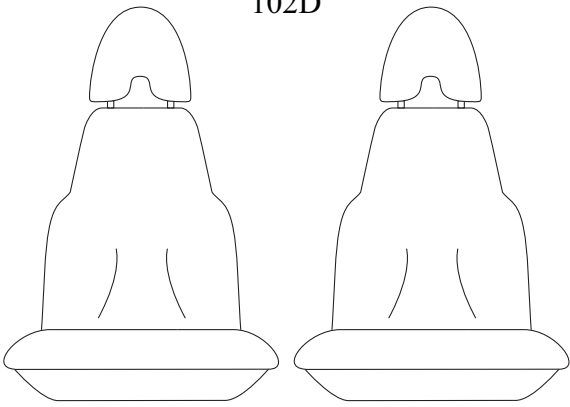
102B



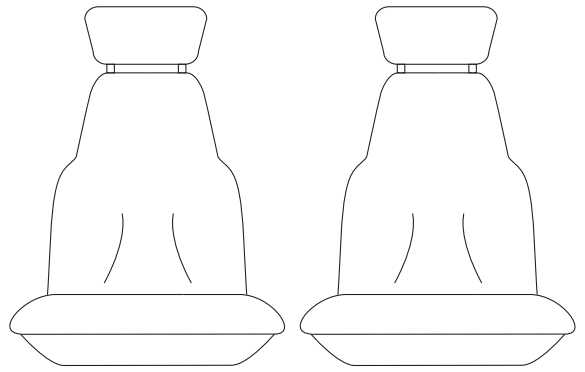
102C



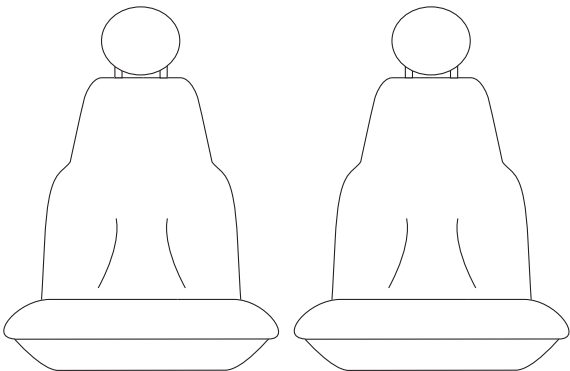
102D



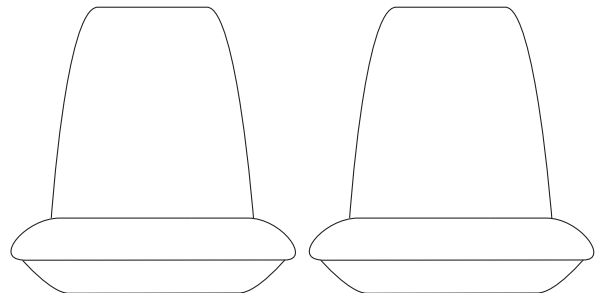
102E



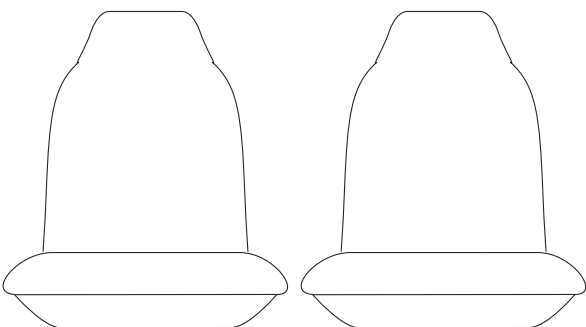
102G



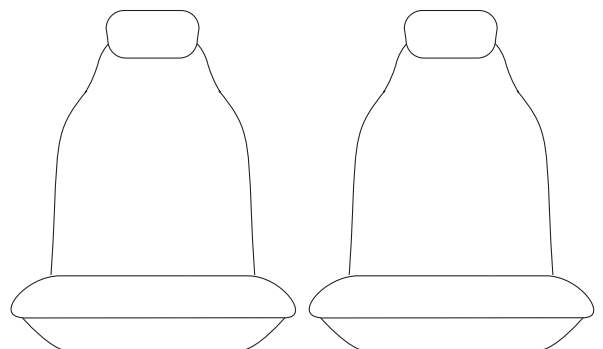
103



104

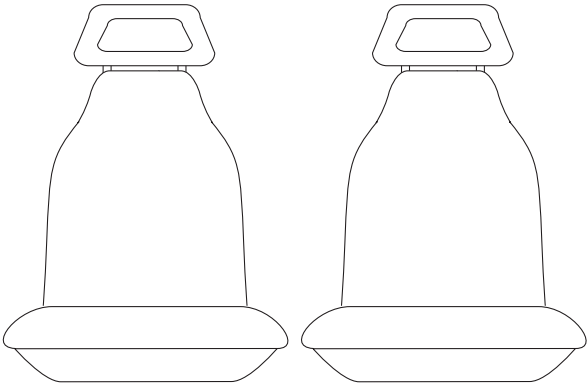


105

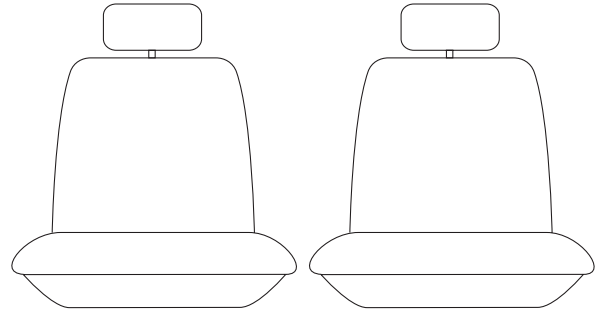


FRONT SEATS

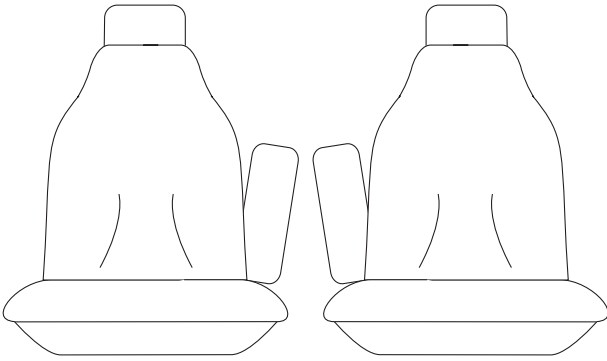
105A



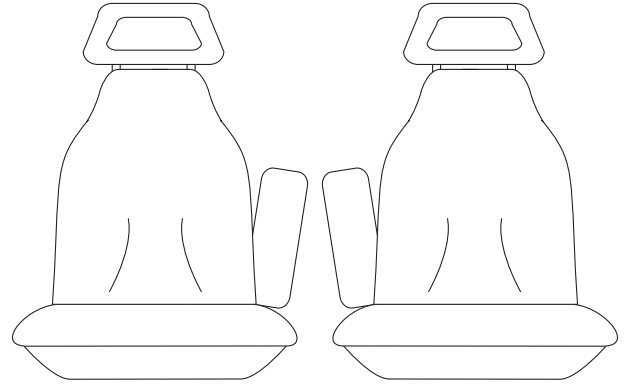
106



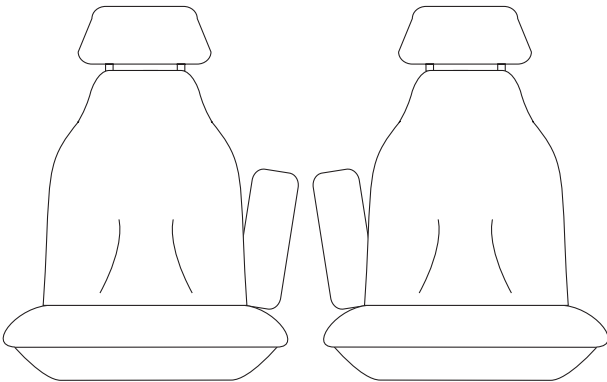
107



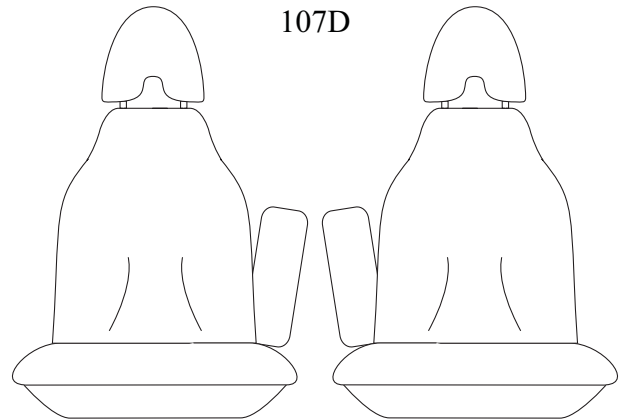
107A



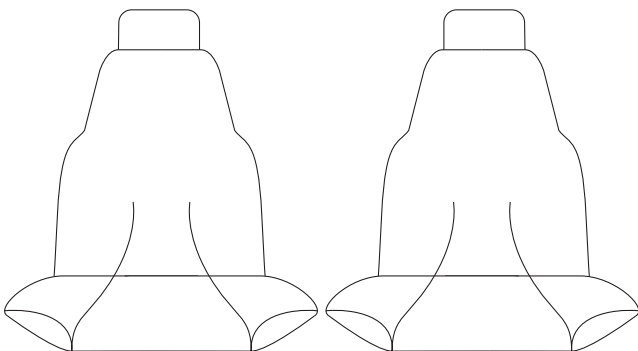
107C



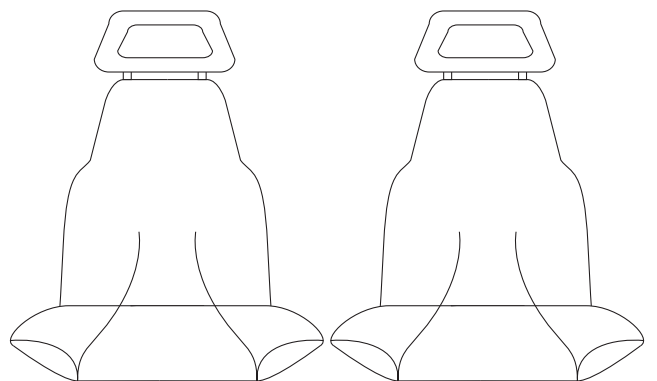
107D



108

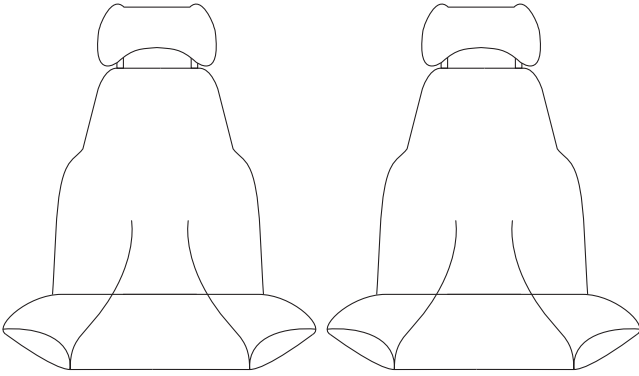


108A

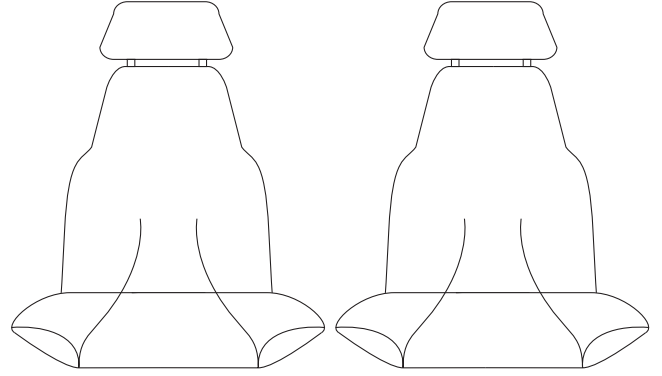


FRONT SEATS

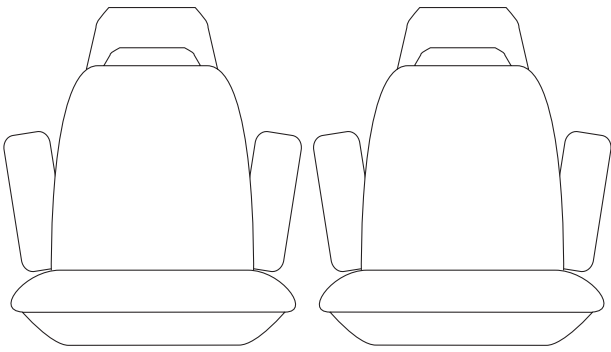
108B



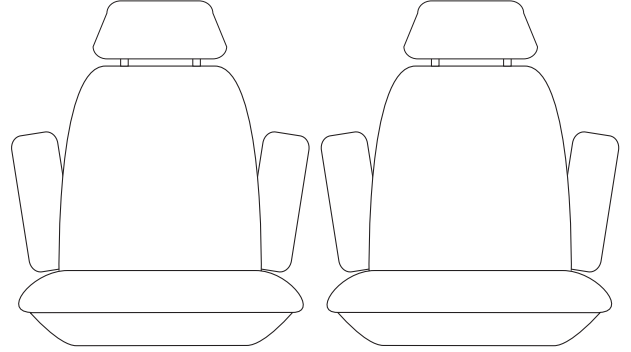
108C



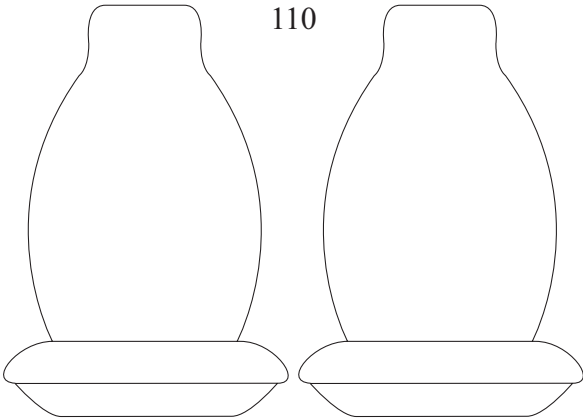
109



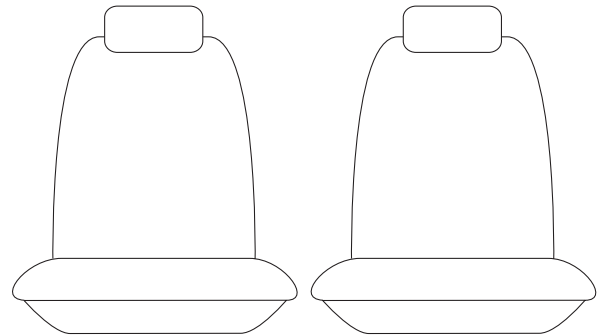
109C



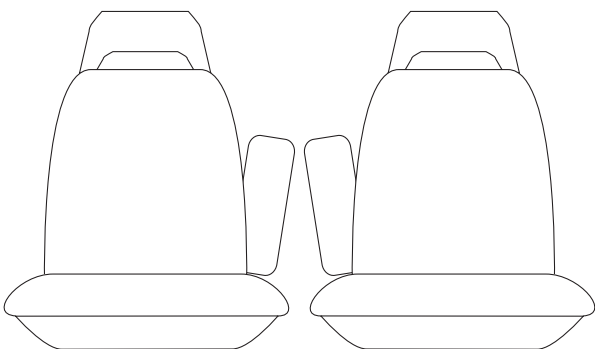
110



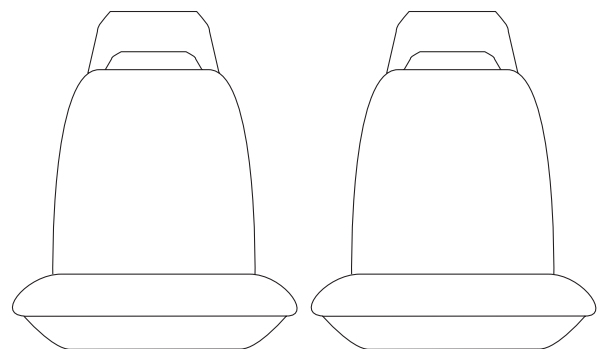
111



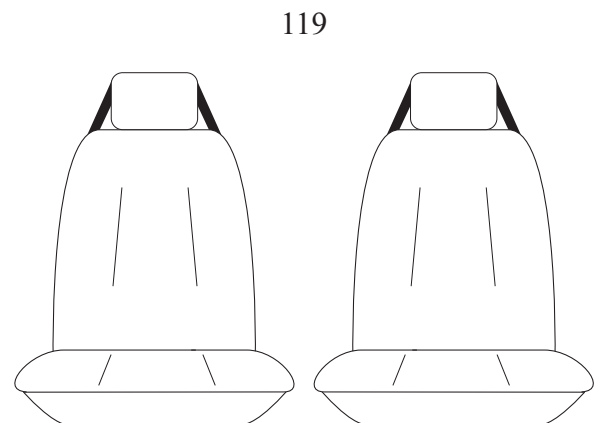
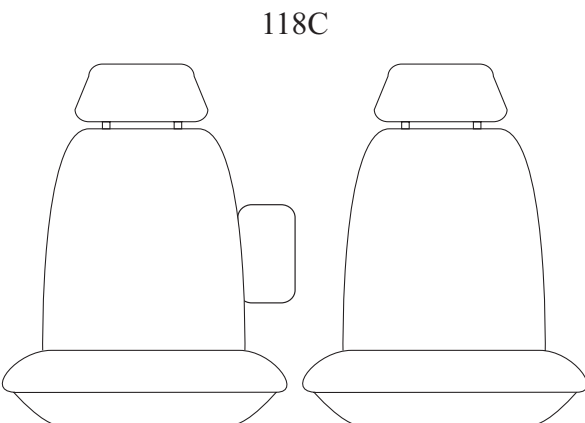
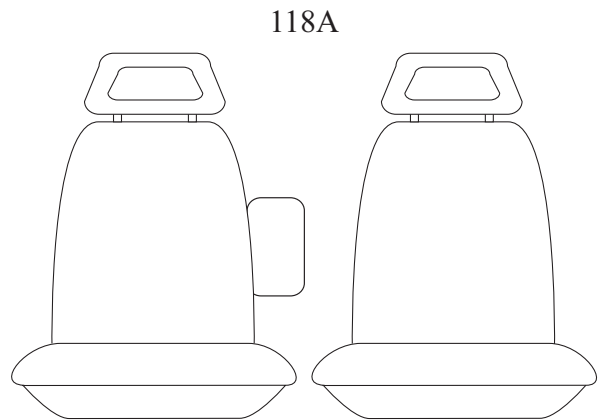
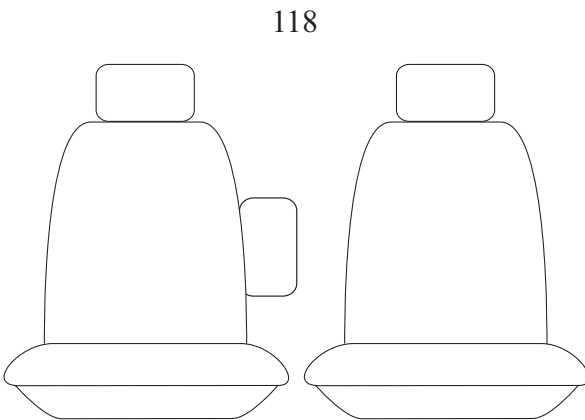
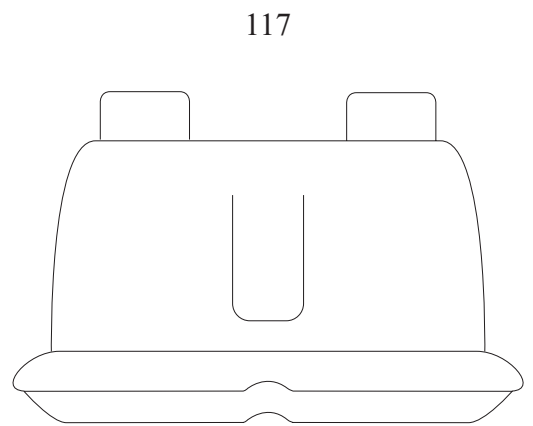
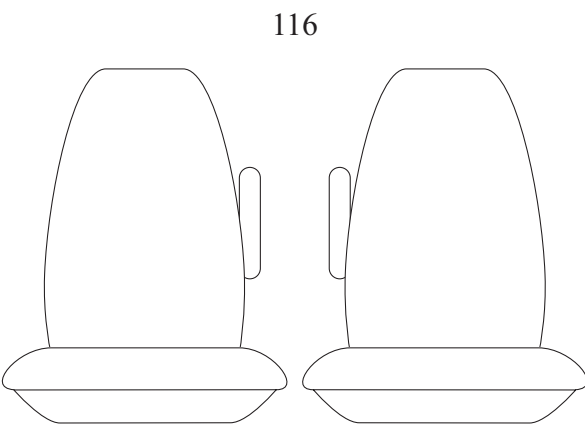
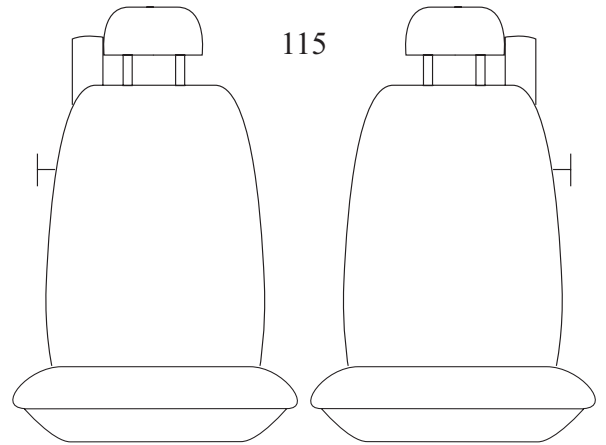
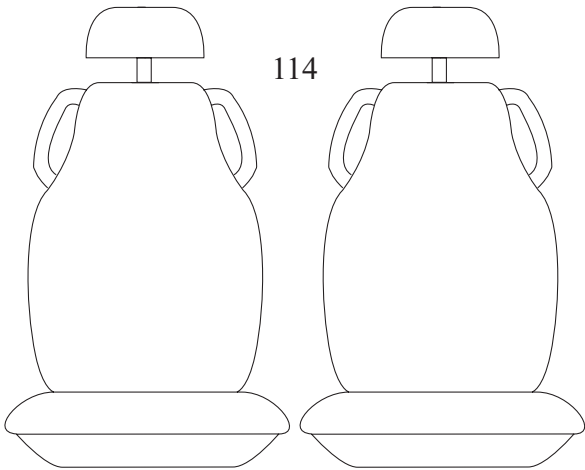
112



113

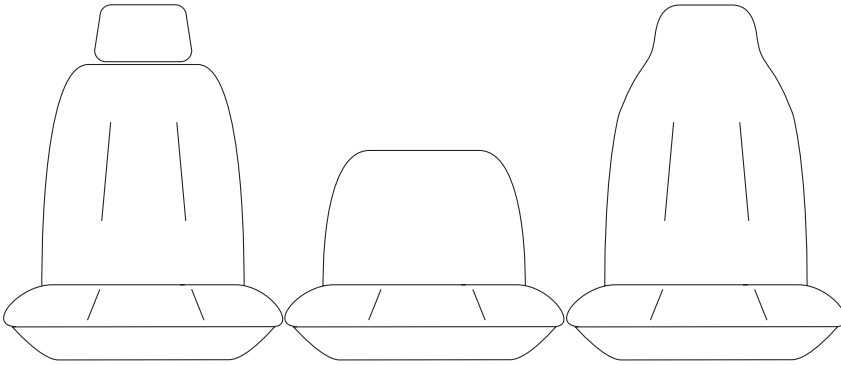


FRONT SEATS

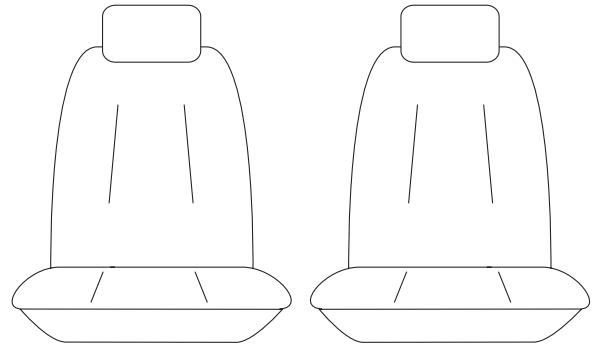


FRONT SEATS

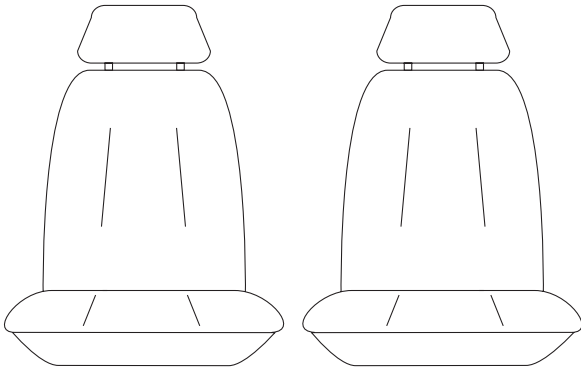
120



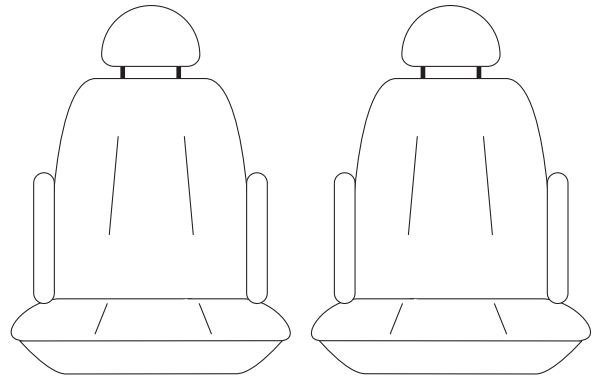
121



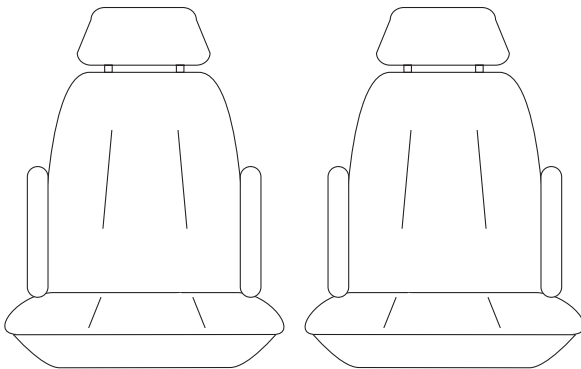
121C



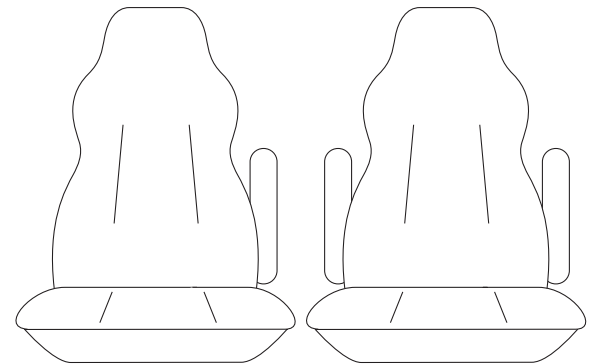
122



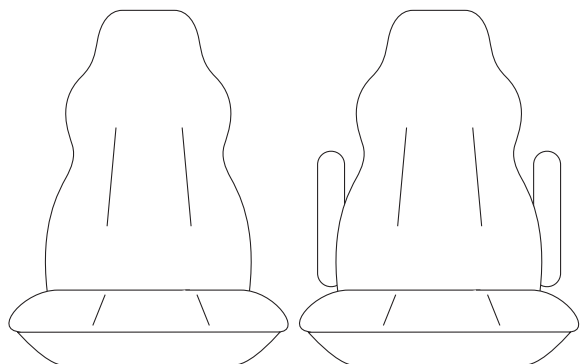
122C



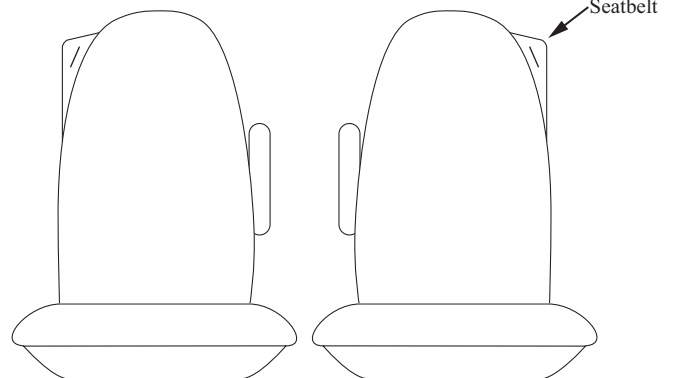
123



124

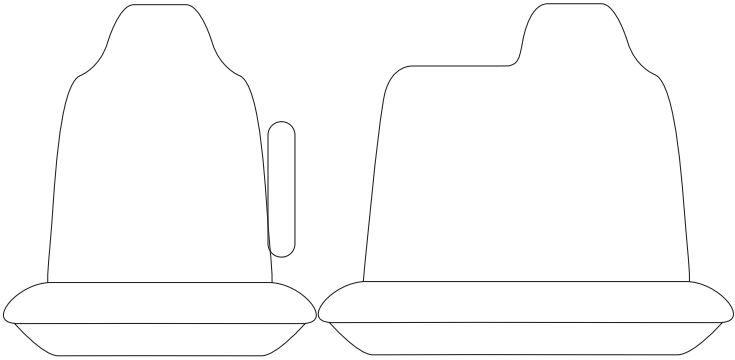


125

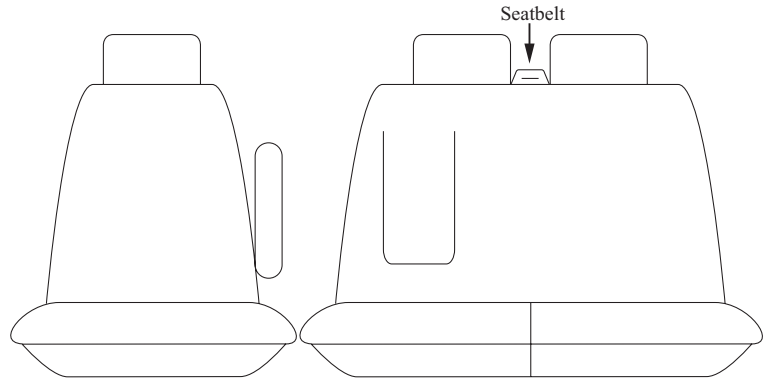


FRONT SEATS

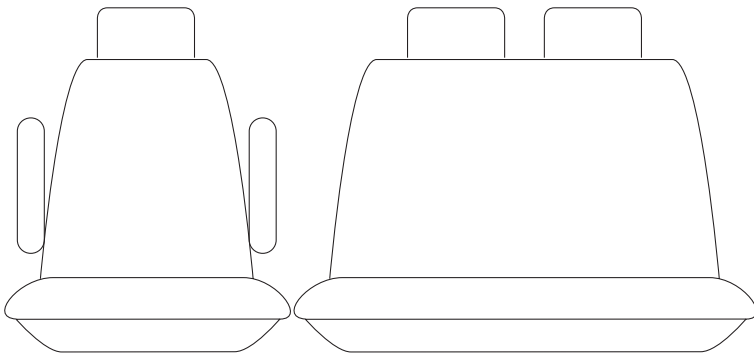
126



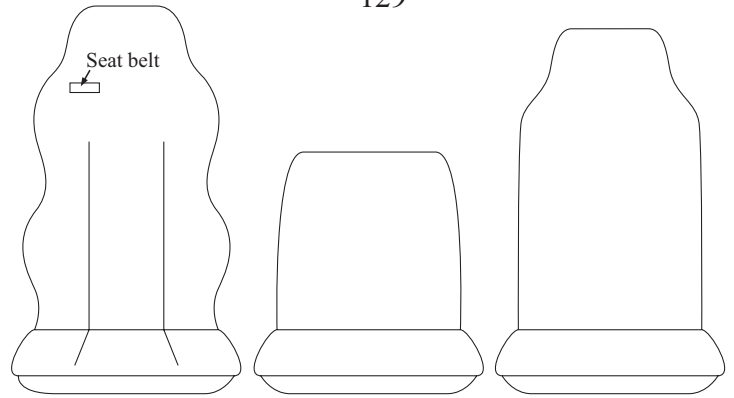
127



128

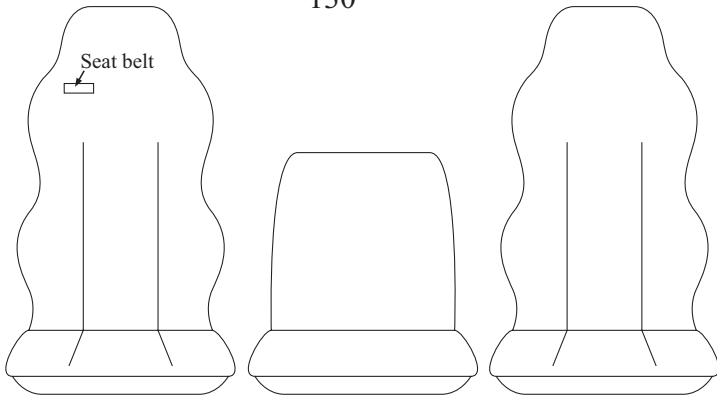


129



ISRI

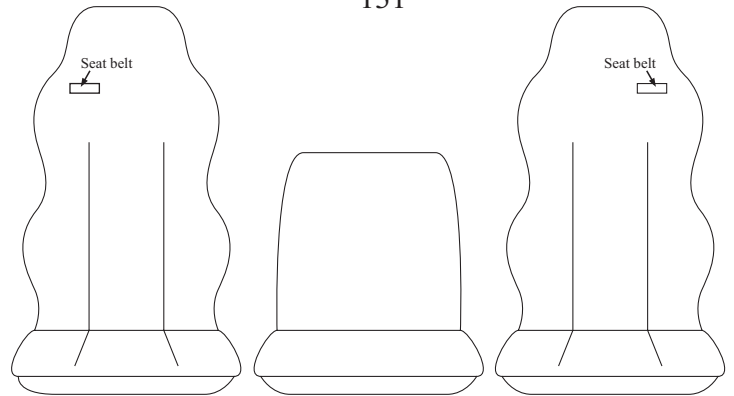
130



ISRI

ISRI

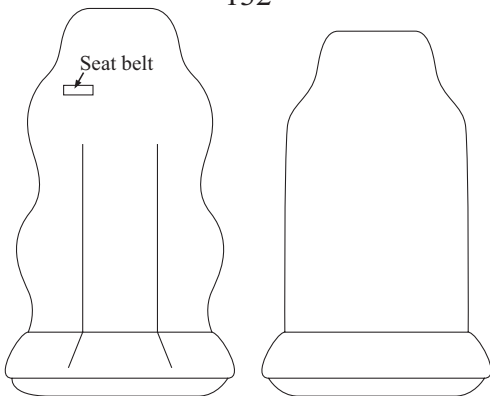
131



ISRI

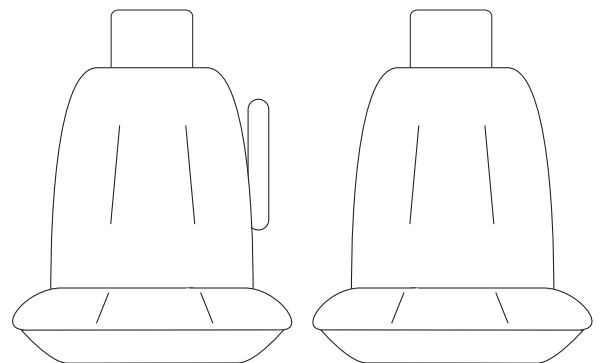
ISRI

132



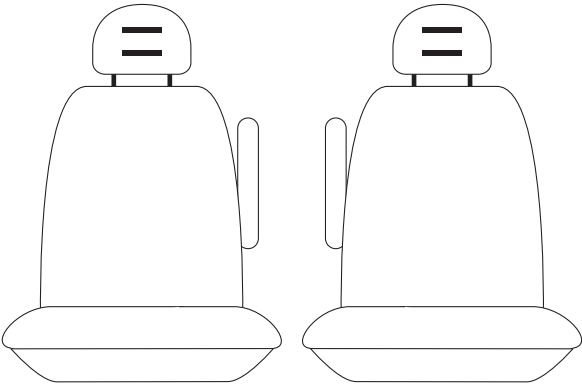
ISRI

133

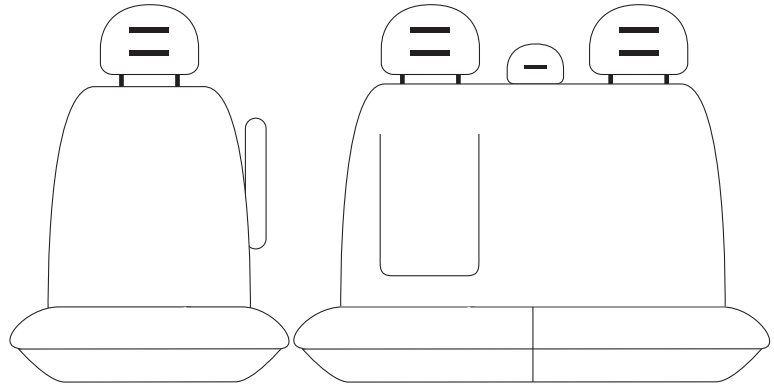


FRONT SEATS

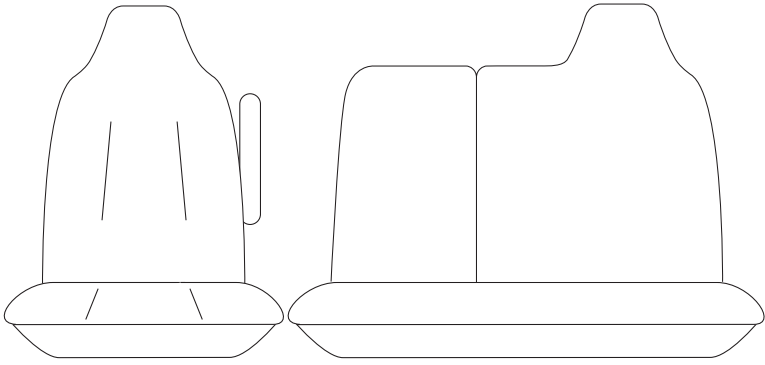
134



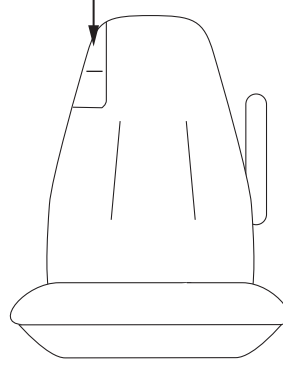
135



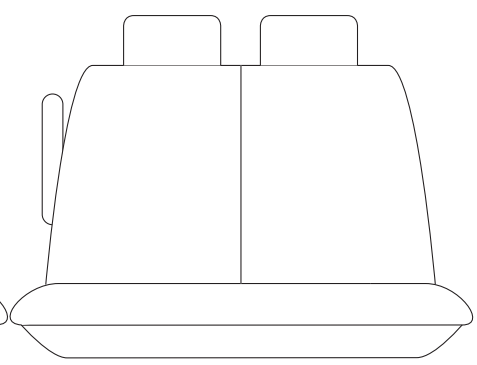
136



Seatbelt



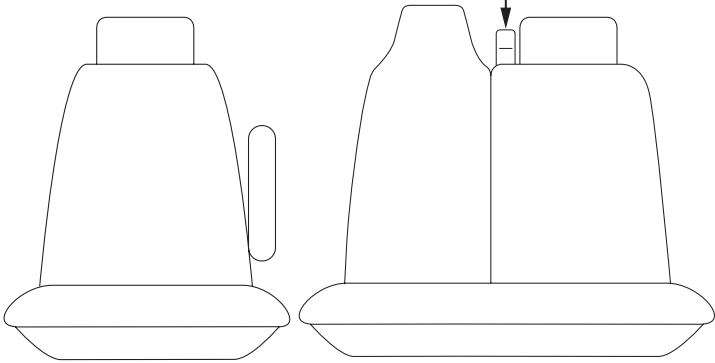
137



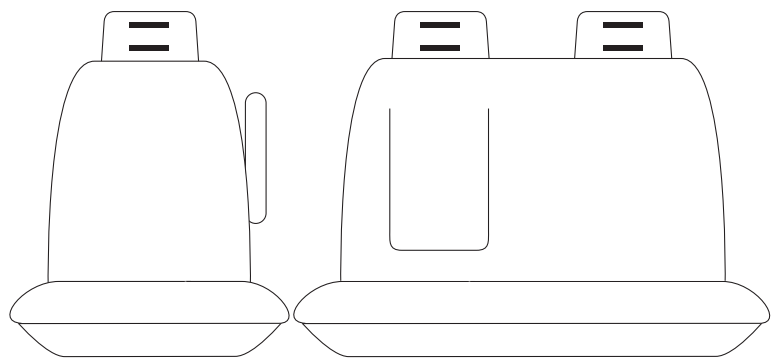
ISRI

138

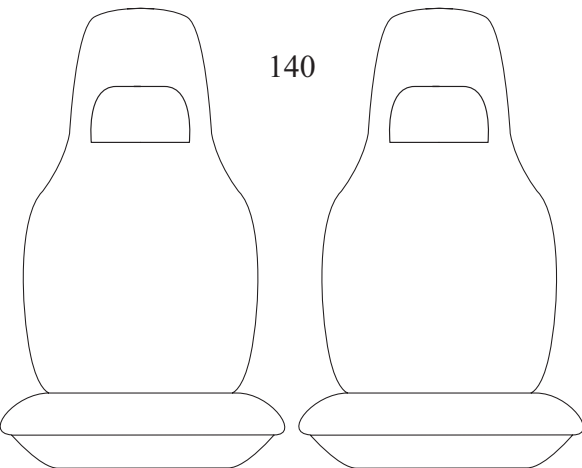
Seatbelt



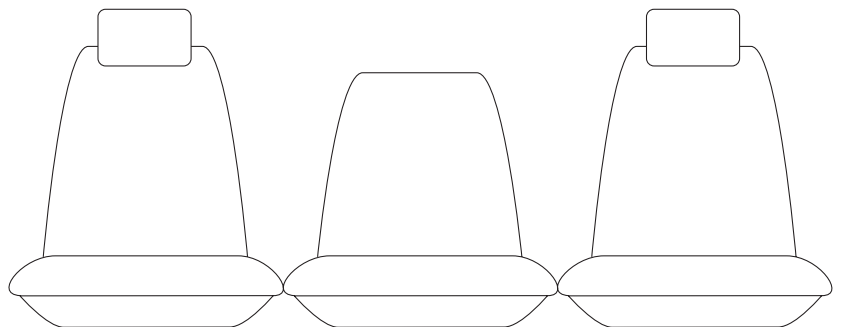
139



140

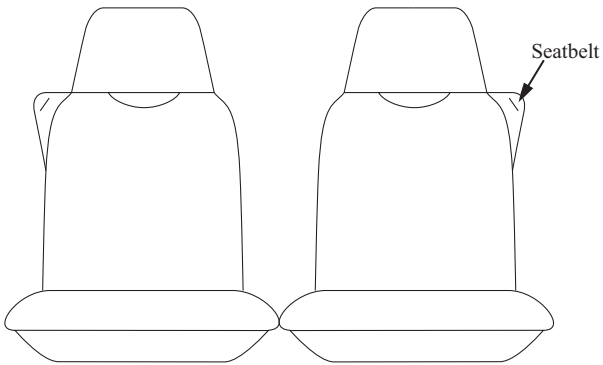


141

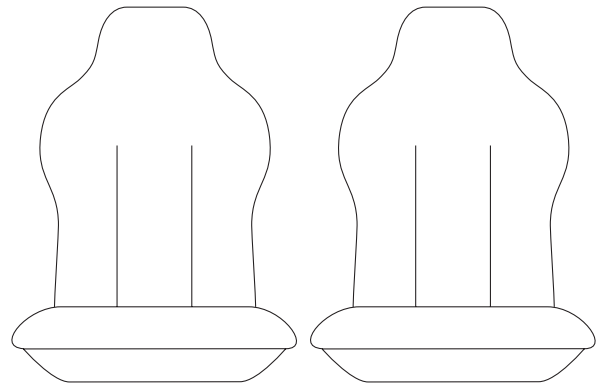


FRONT SEATS

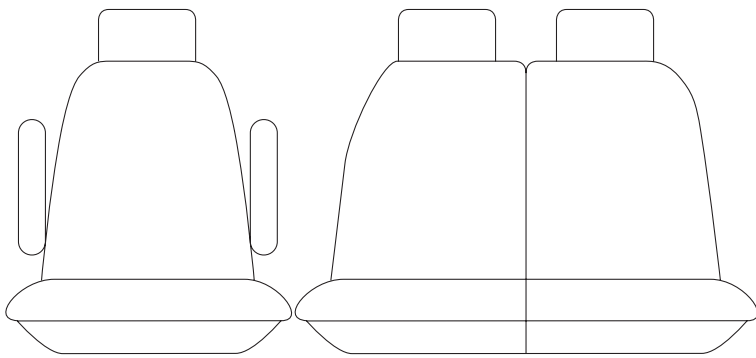
142



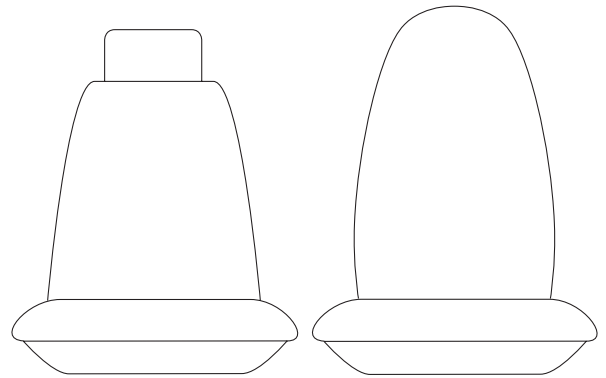
143



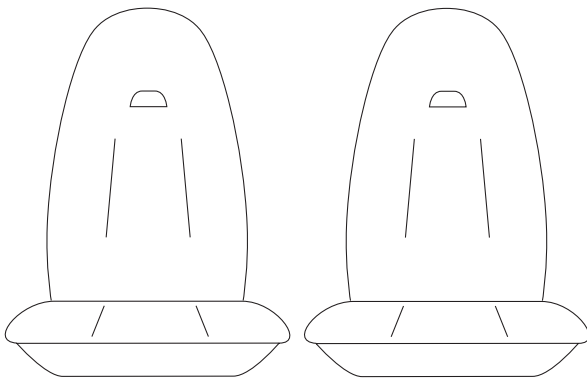
144



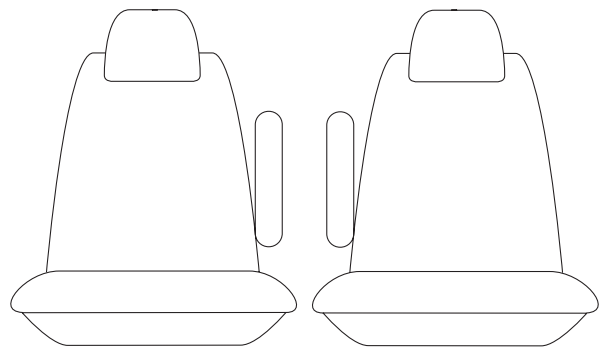
145



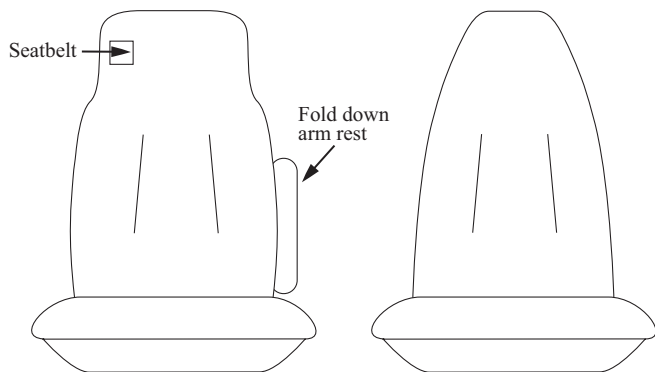
146



147

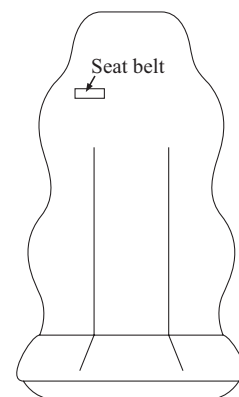


148



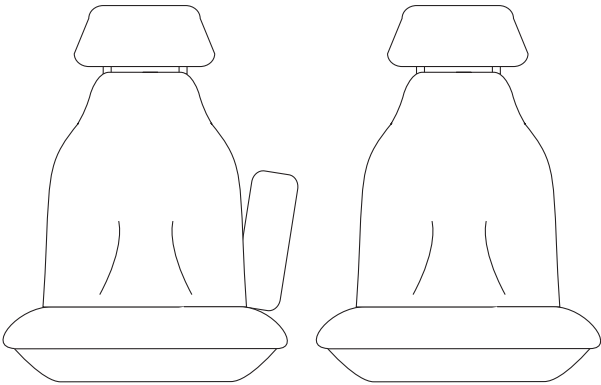
ISRI

149

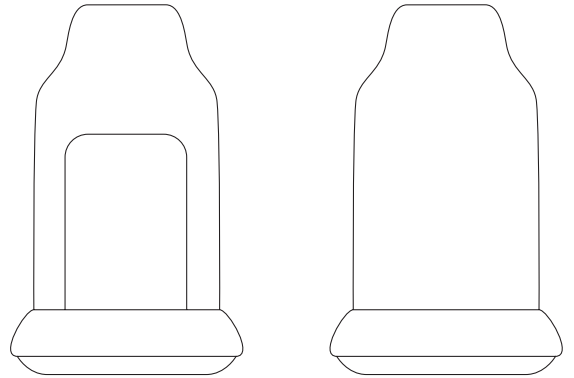


FRONT SEATS

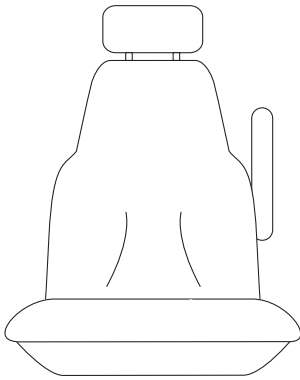
150



151

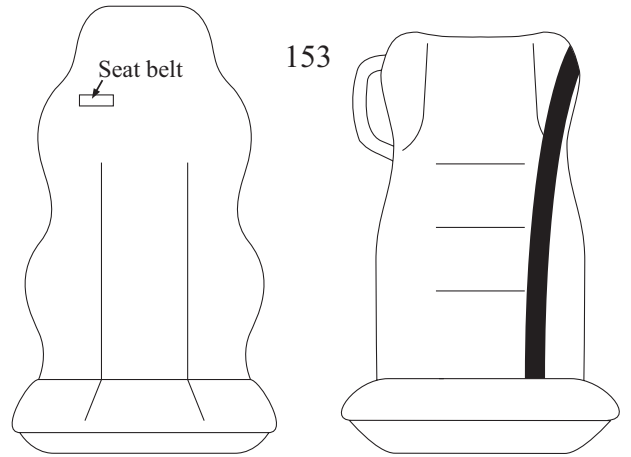


152



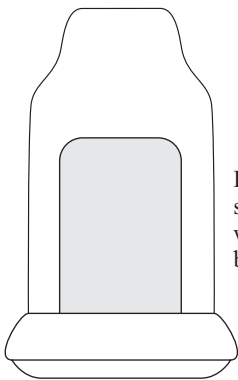
Seat belt

153



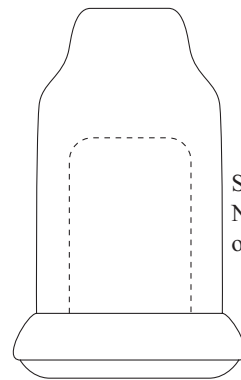
ISRI

154



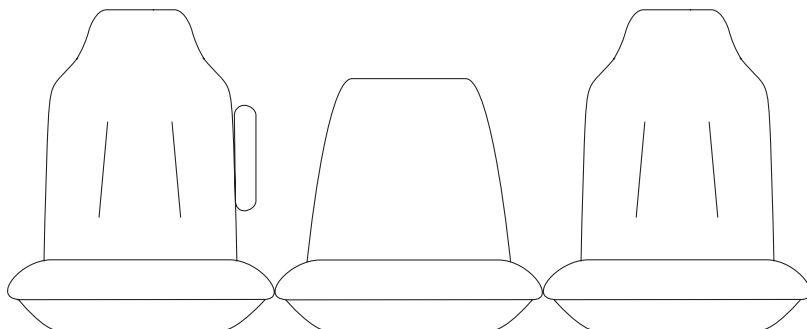
Driver suspension seat with 2 piece backrest

155



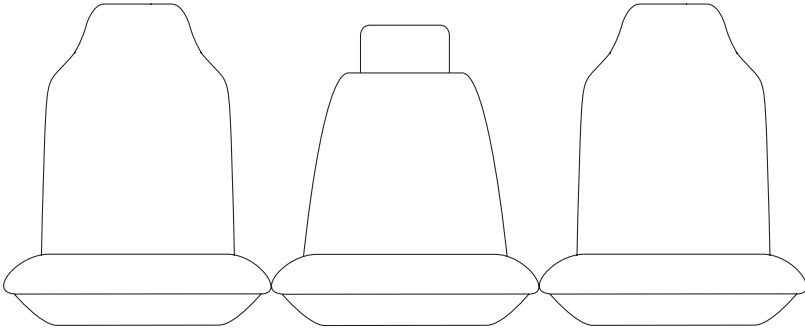
Suspension NOT allowed for on seat cover

156

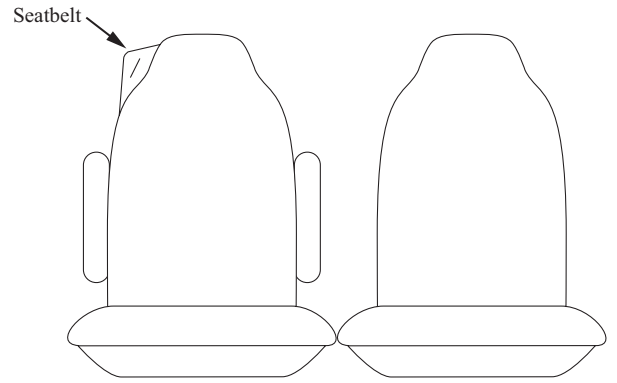


FRONT SEATS

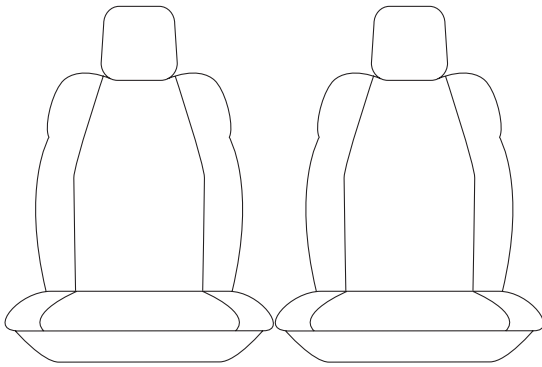
157



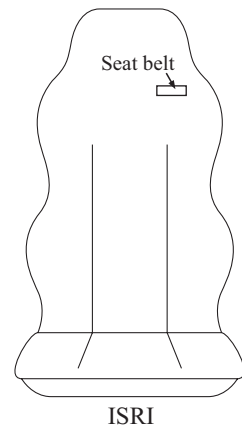
158



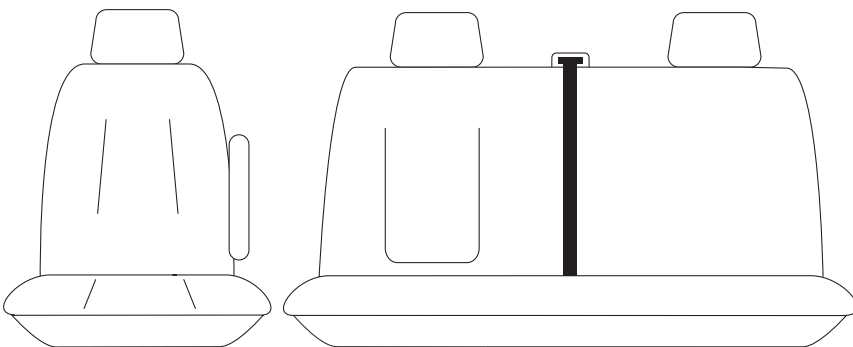
159



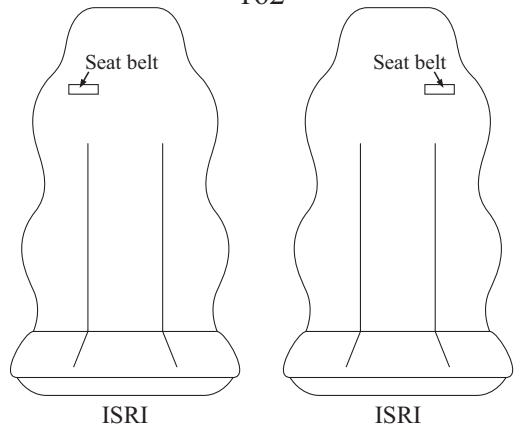
160



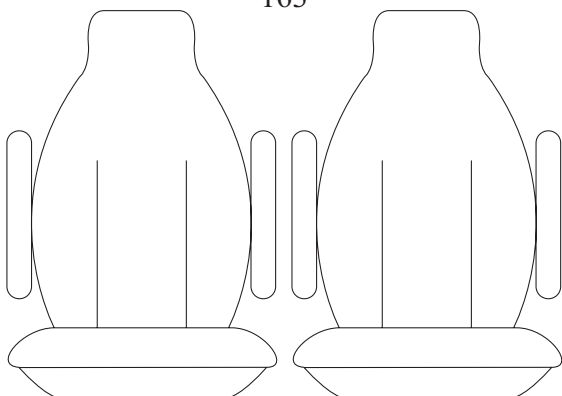
161



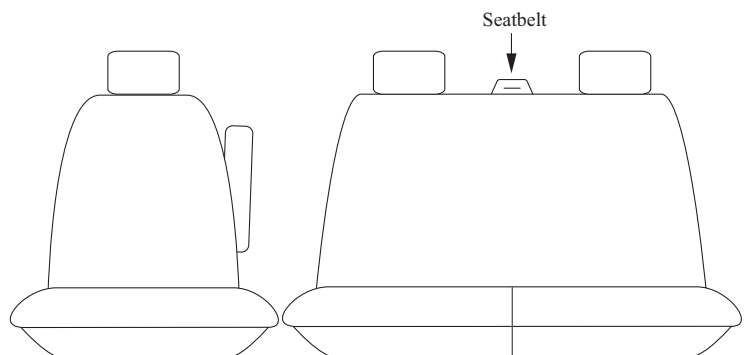
162



163

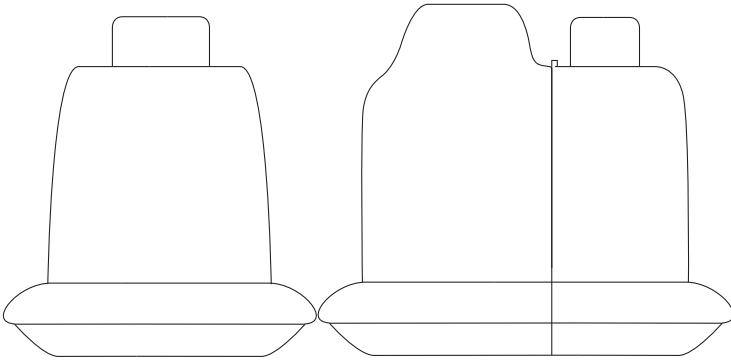


164

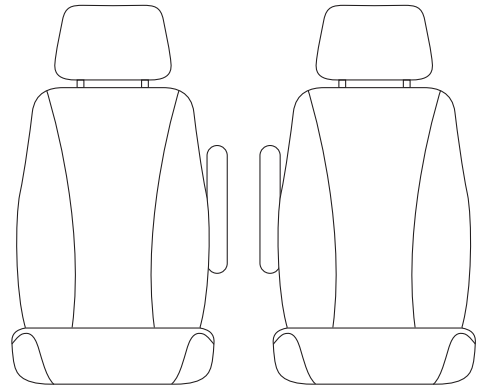


FRONT SEATS

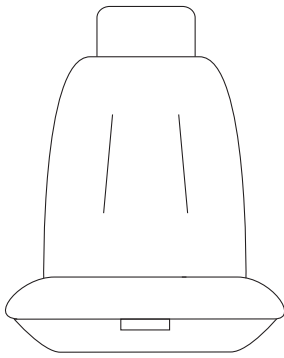
165



166



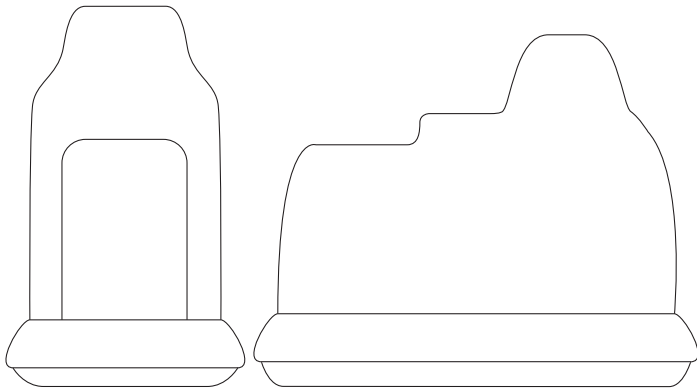
167



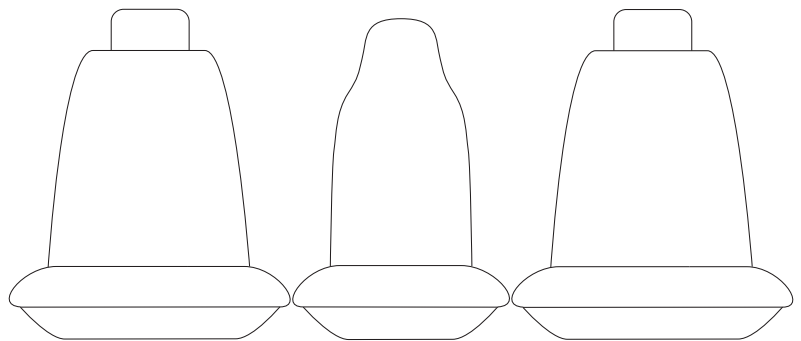
168



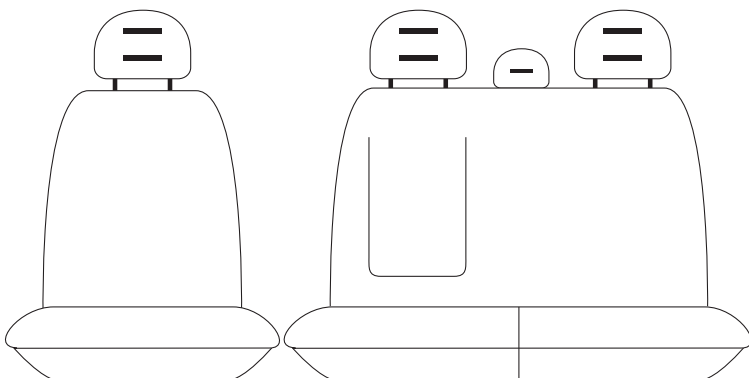
169



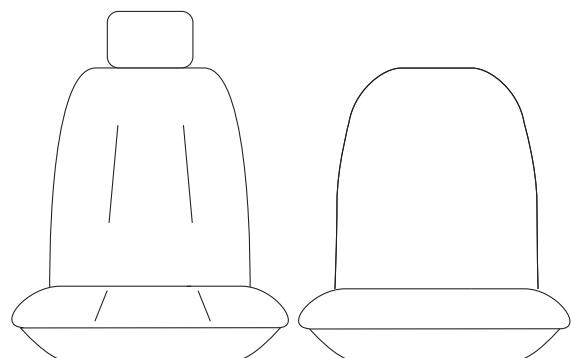
170



171

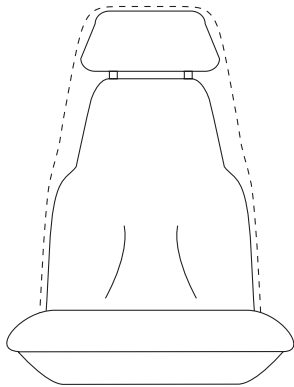


172

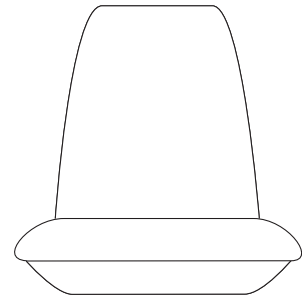


FRONT SEATS

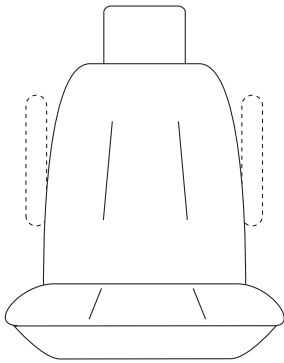
173



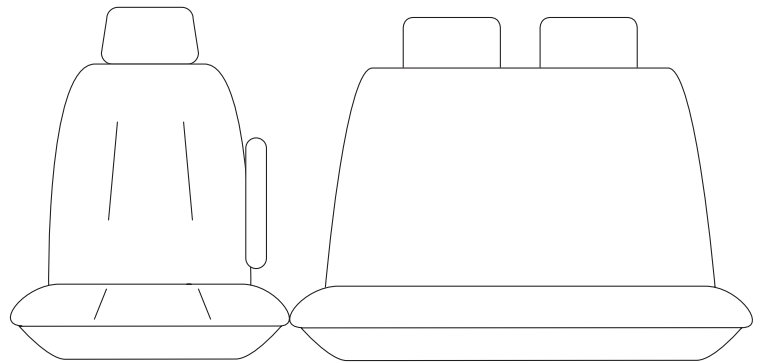
174



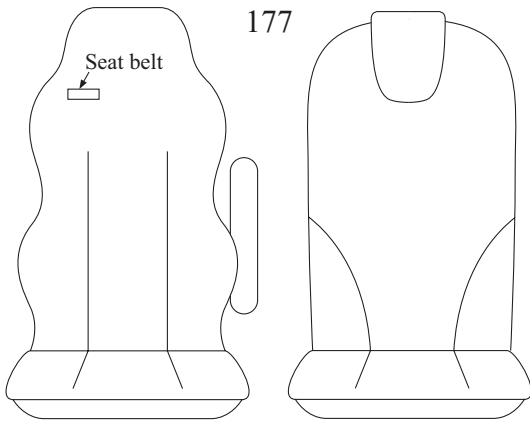
175



176

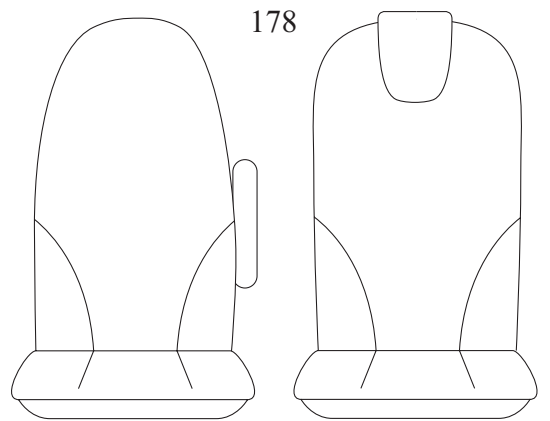


177

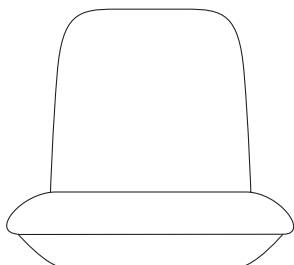


ISRI

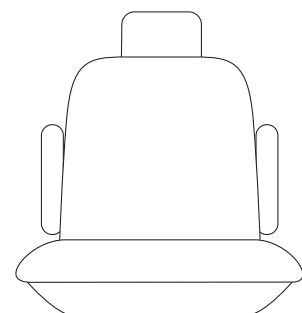
178



179

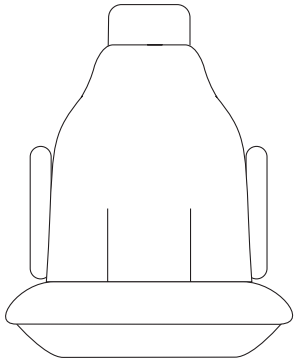


180

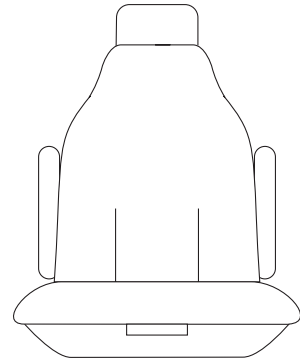


FRONT SEATS

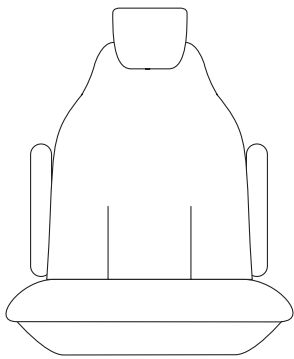
181



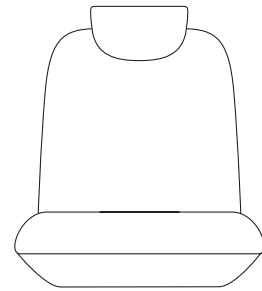
182



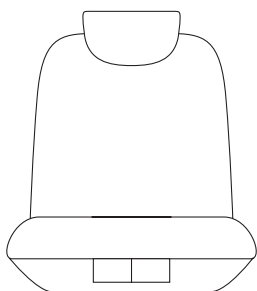
183



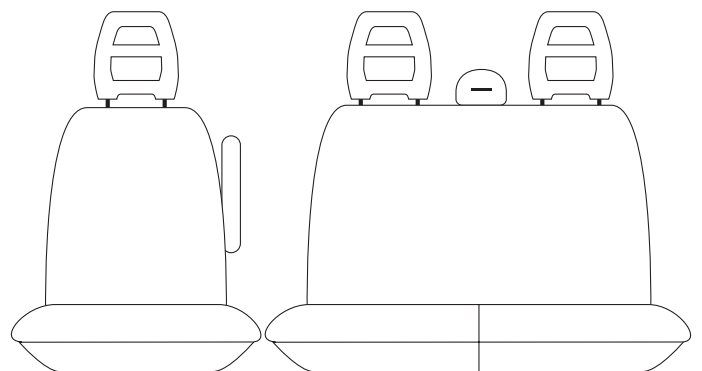
184



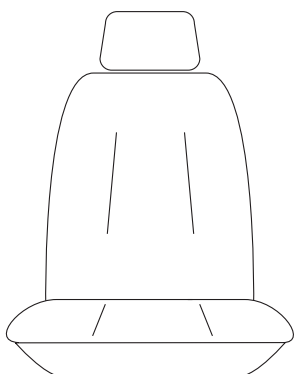
185



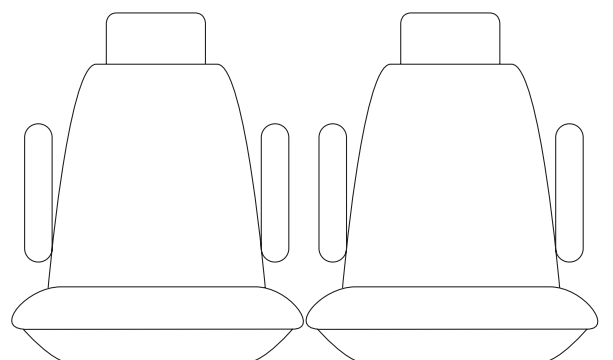
186



187

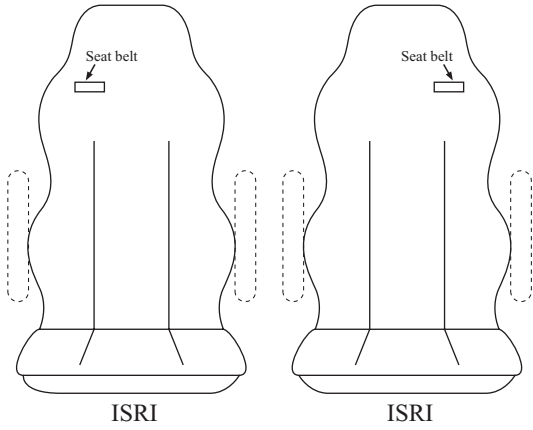


188

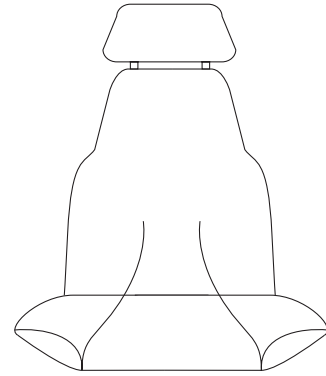


FRONT SEATS

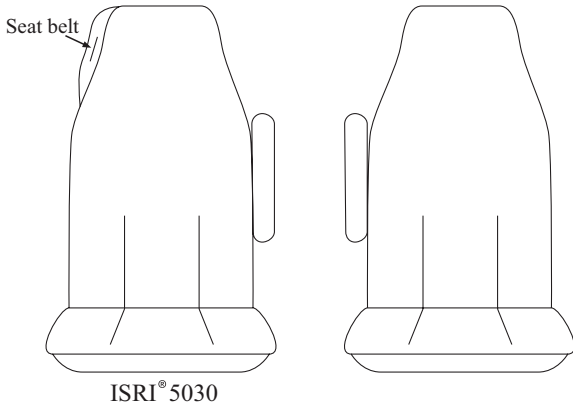
189



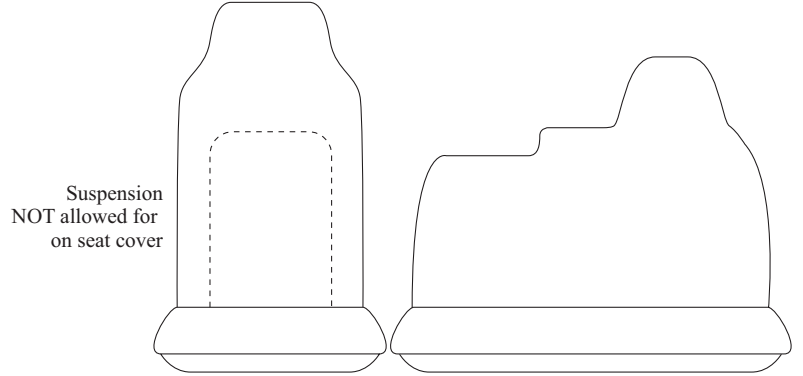
190



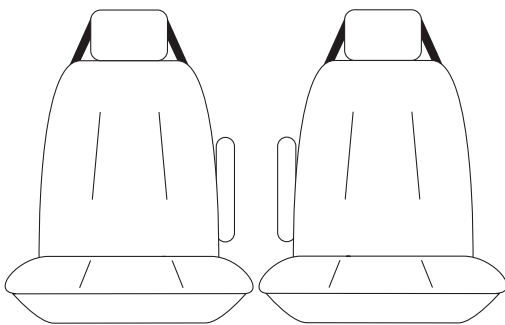
191



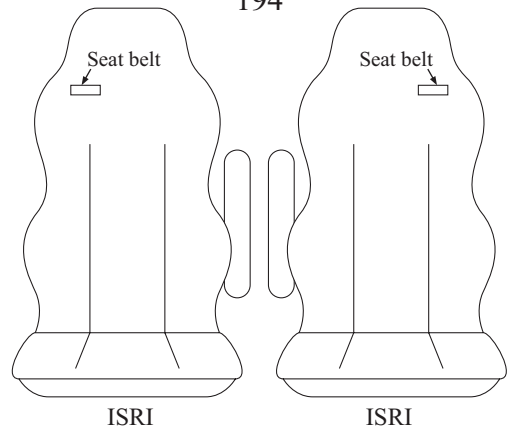
192



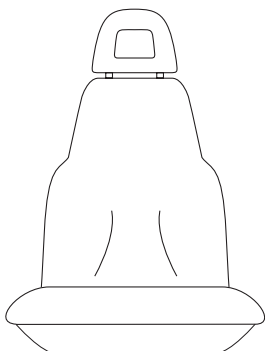
193



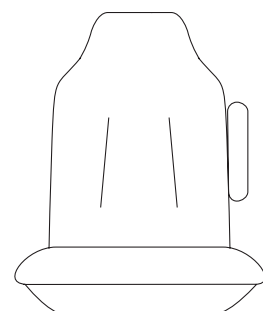
194



195

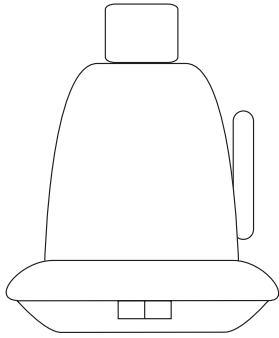


196

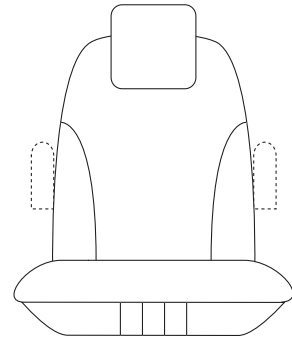


FRONT SEATS

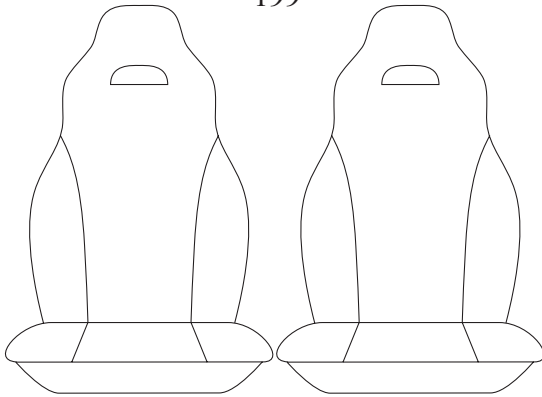
197



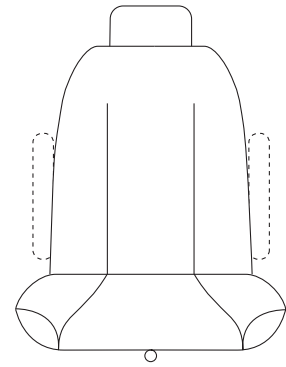
198



199

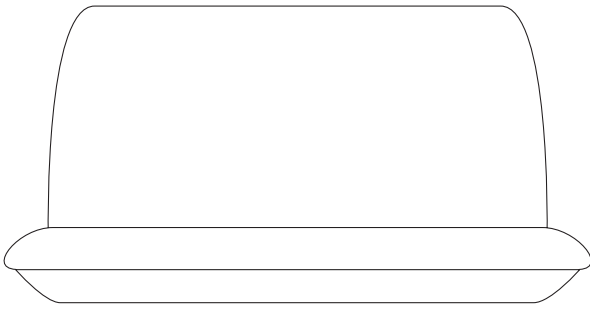


200

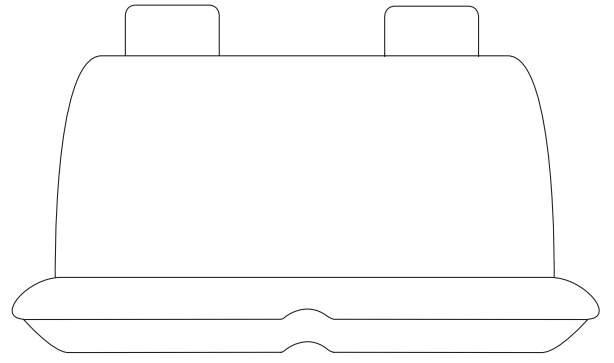


FRONT SEATS

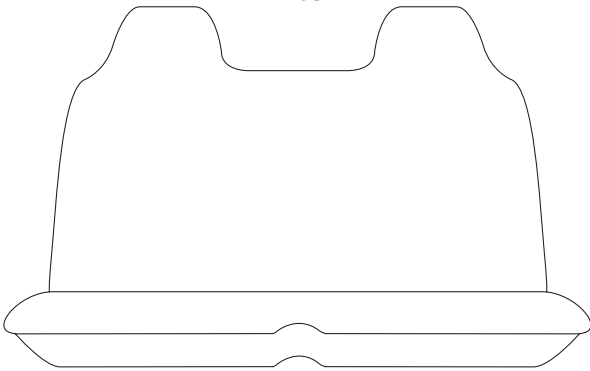
201



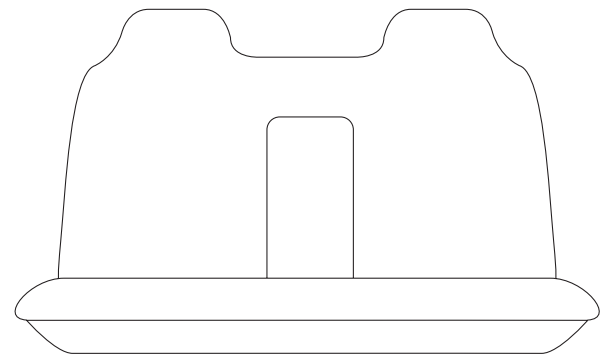
202



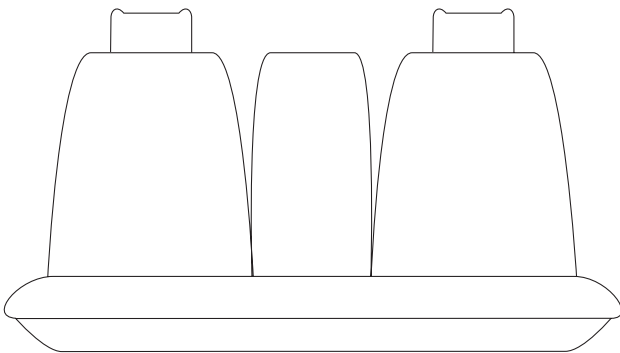
203



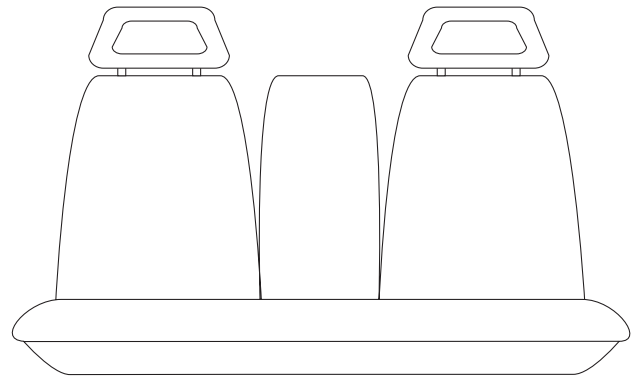
204



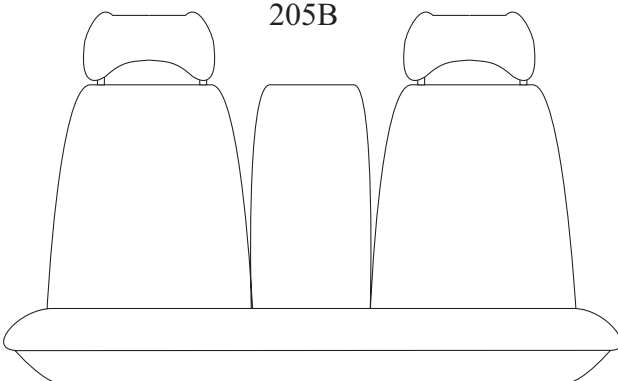
205



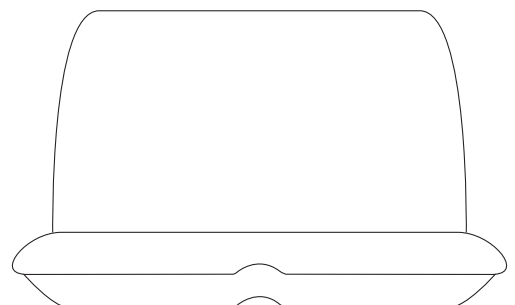
205A



205B

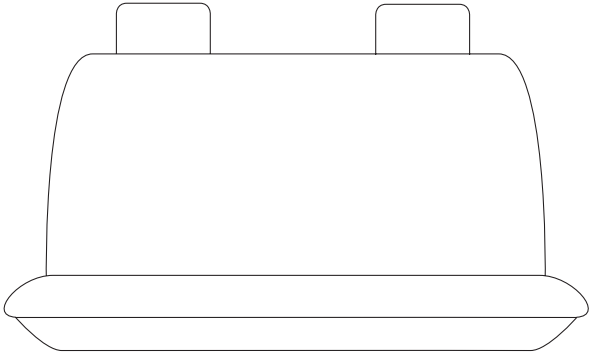


206

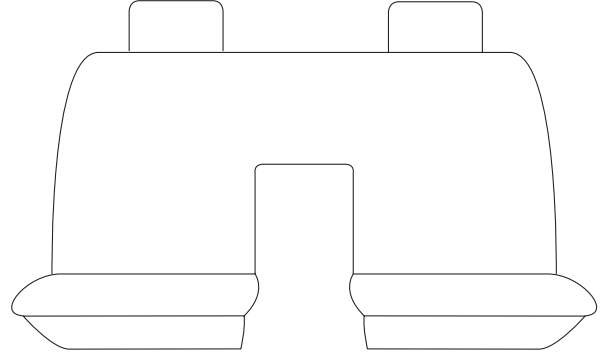


FRONT SEATS

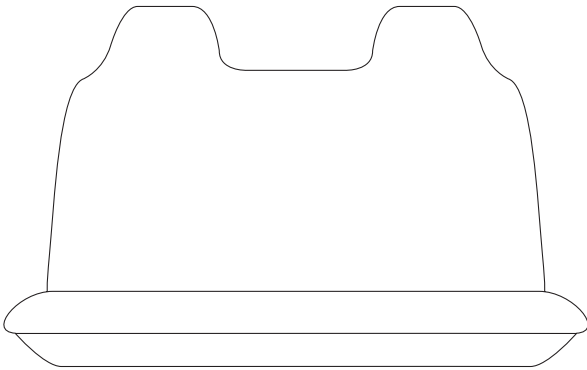
207



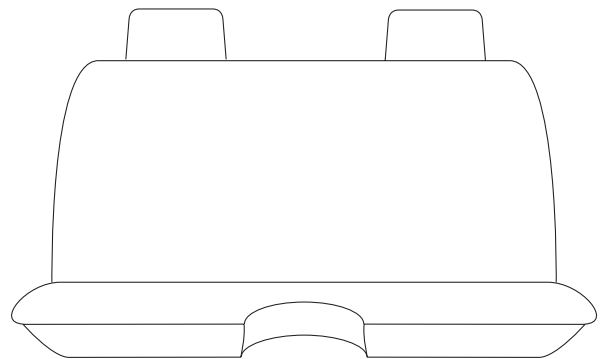
208



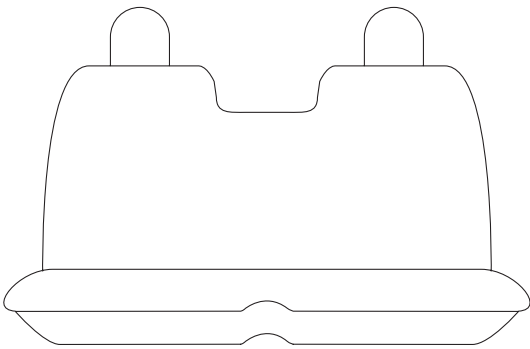
209



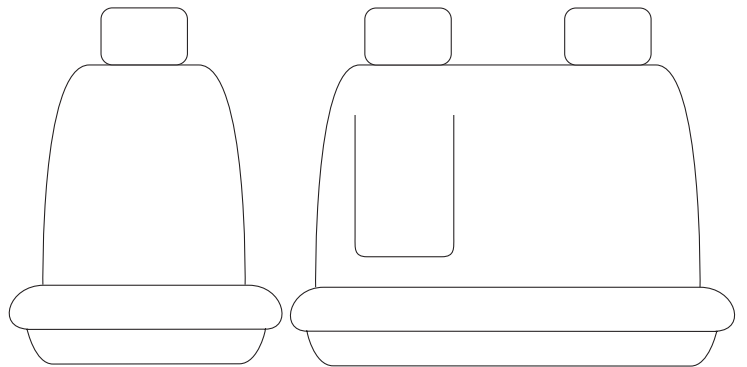
210



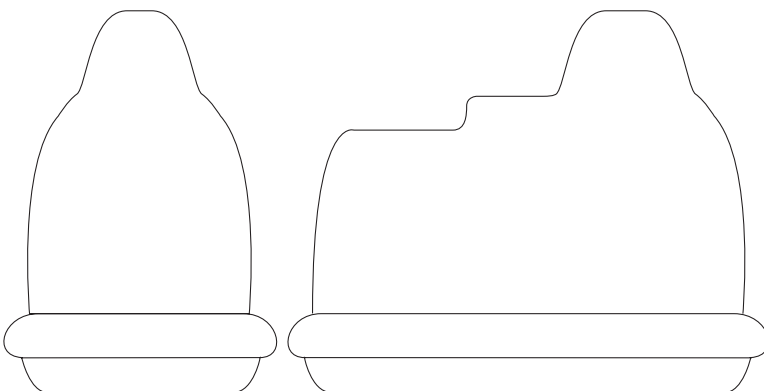
211



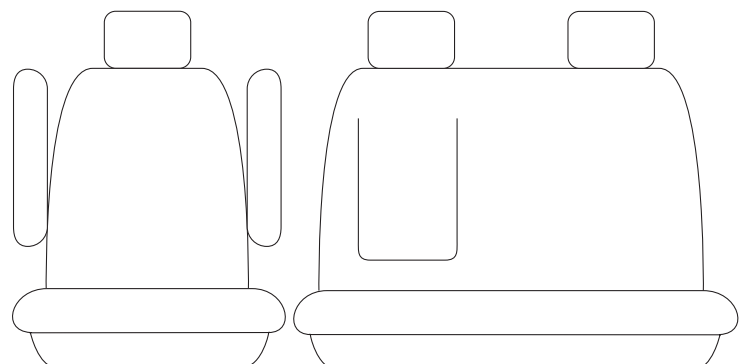
212



213

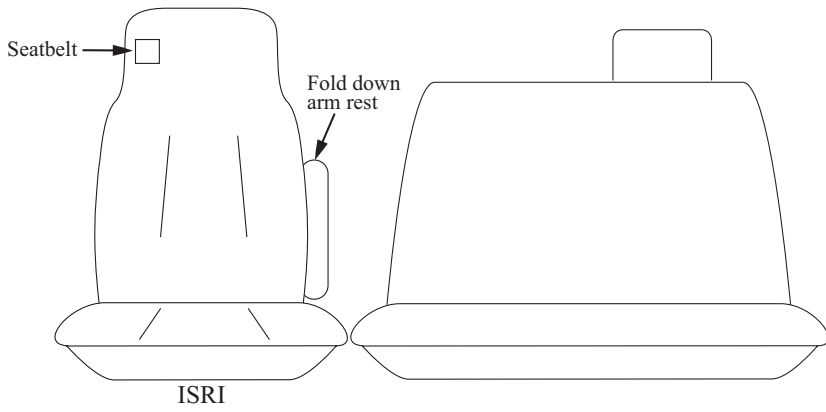


214

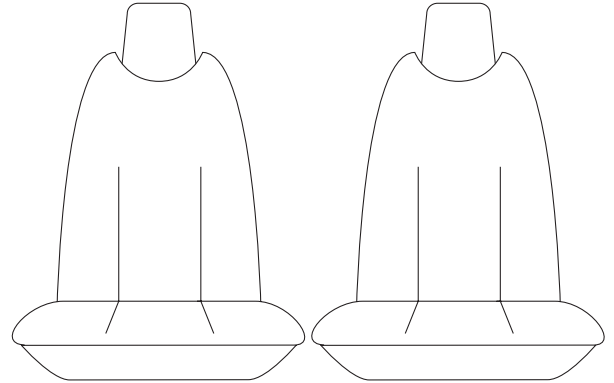


FRONT SEATS

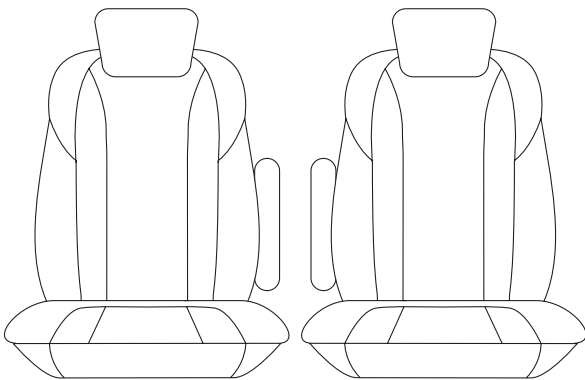
215



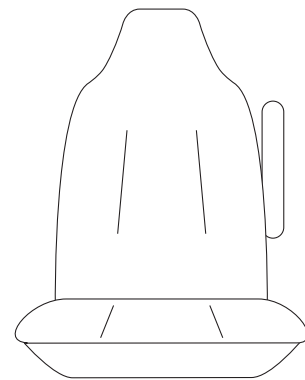
216



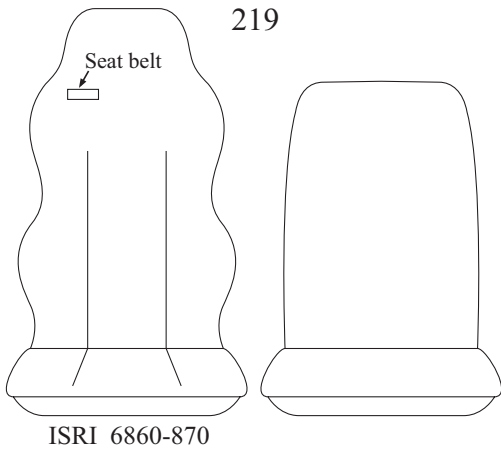
217



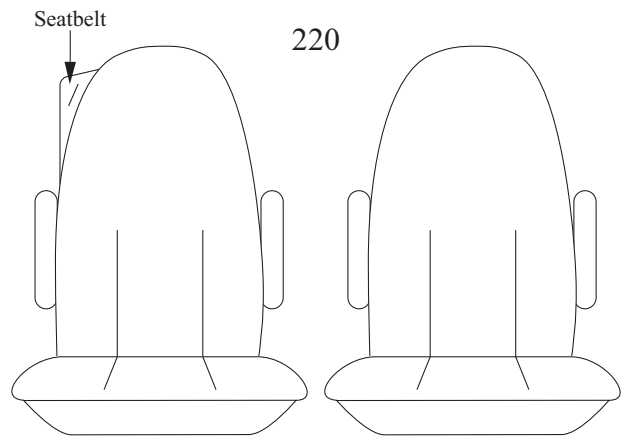
218



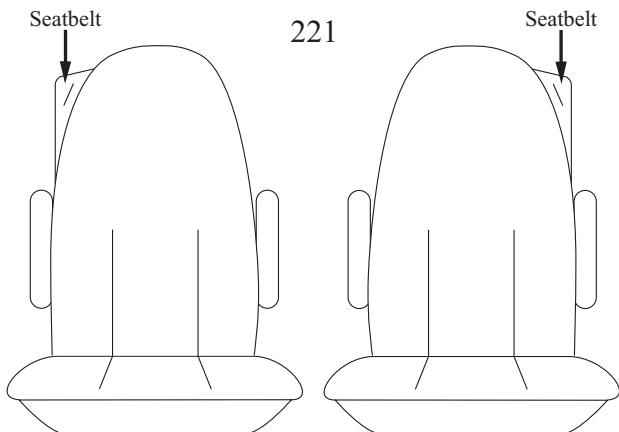
219



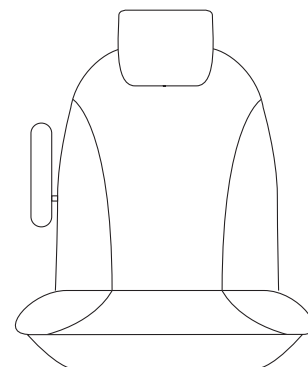
220



221

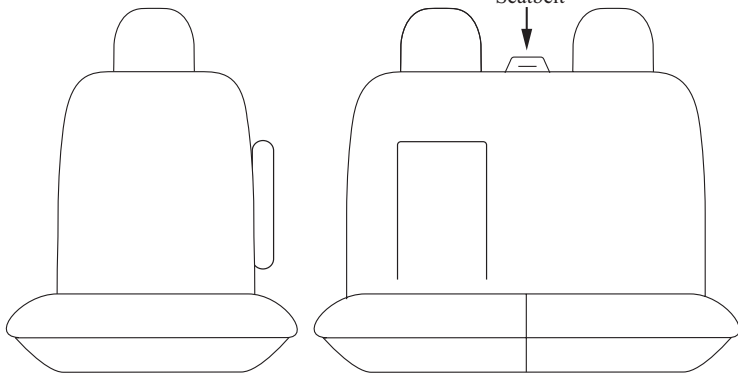


222

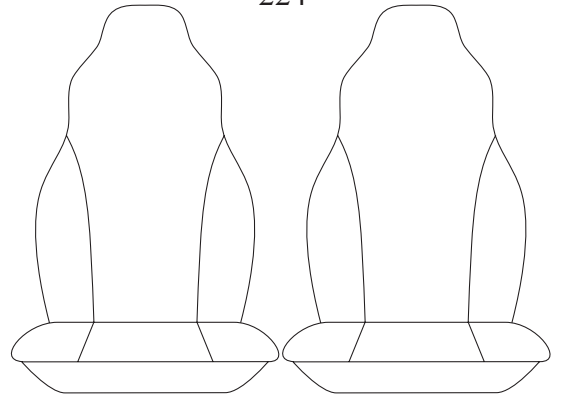


FRONT SEATS

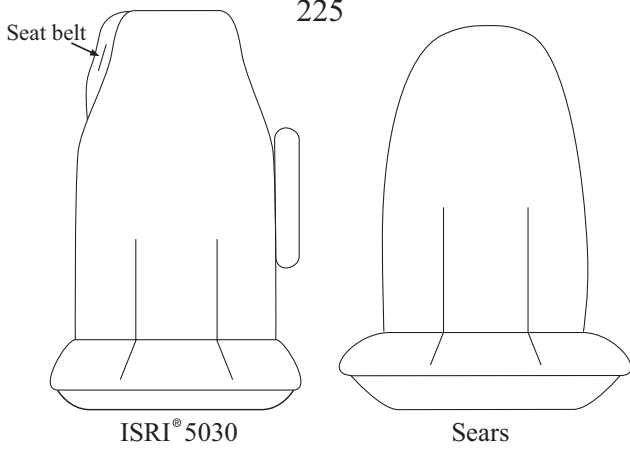
223



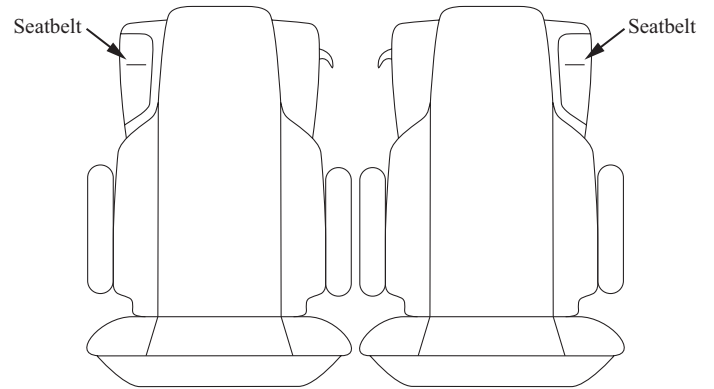
224



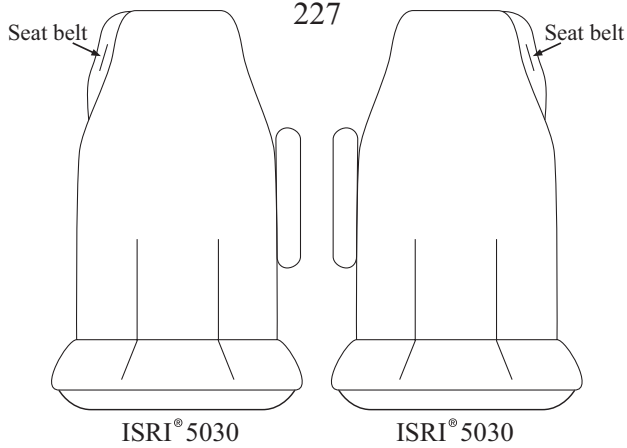
225



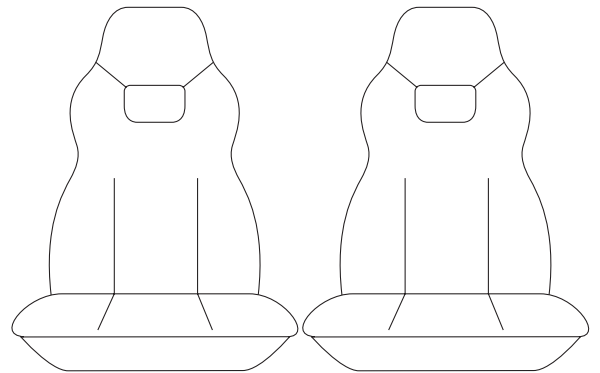
226



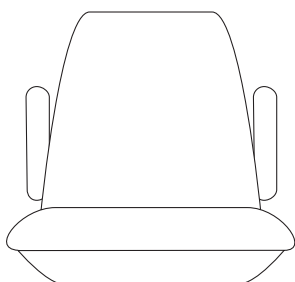
227



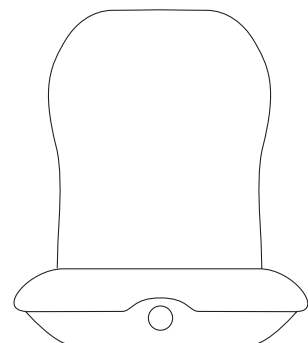
228



229

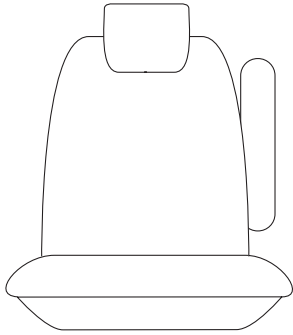


230

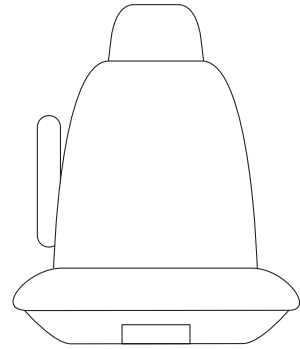


FRONT SEATS

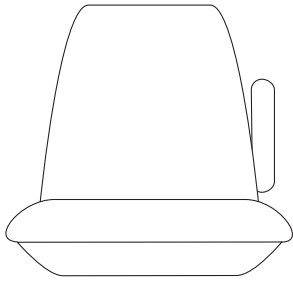
231



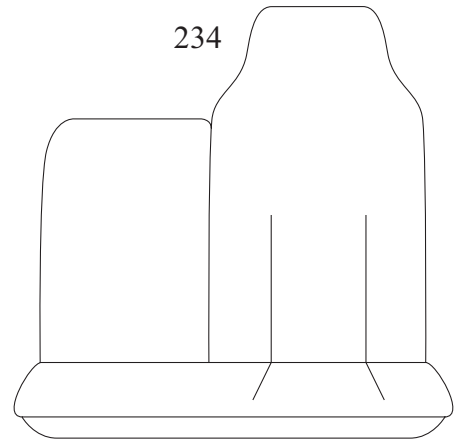
232



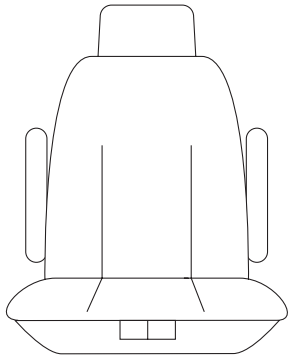
233



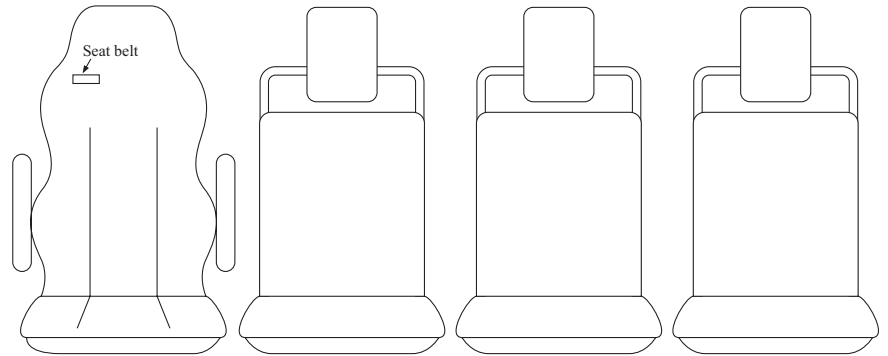
234



235

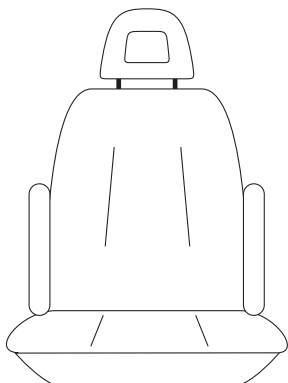


236

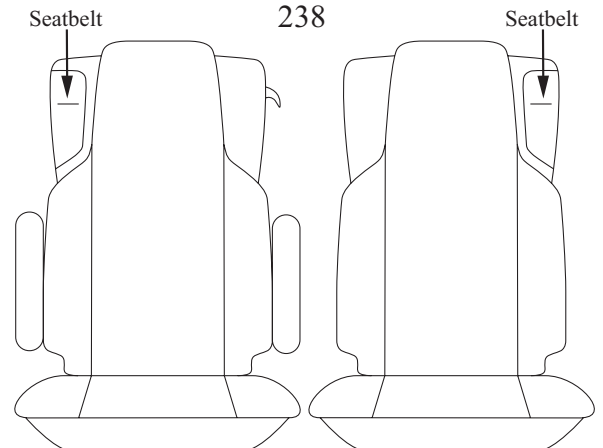


ISRI

237

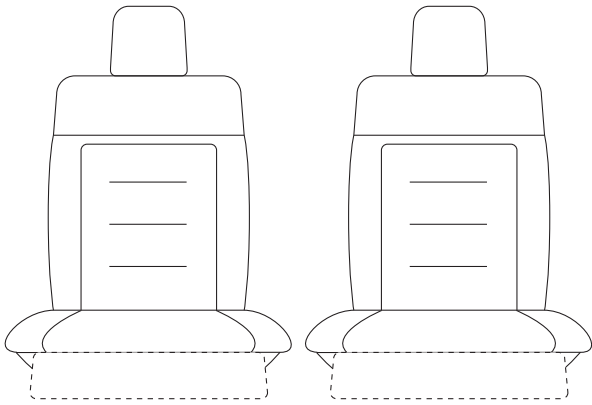


238



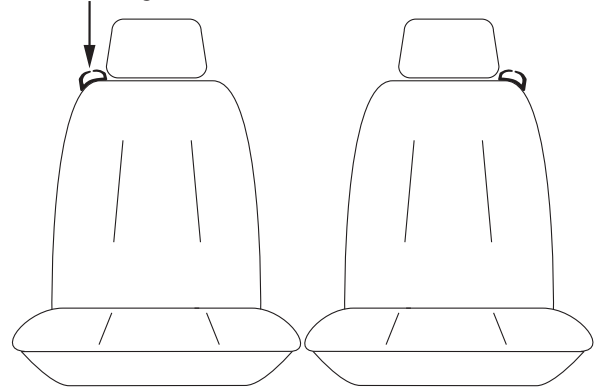
FRONT SEATS

239

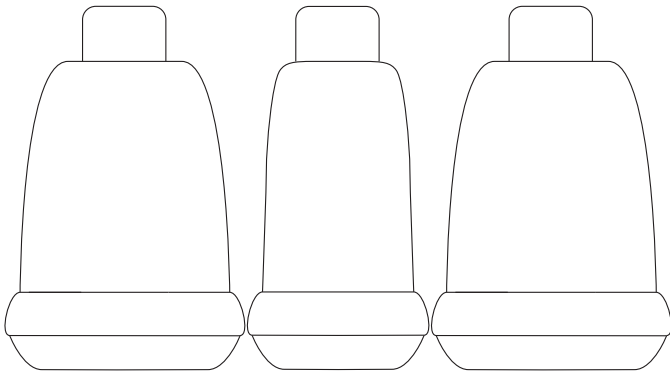


Seat belt guides

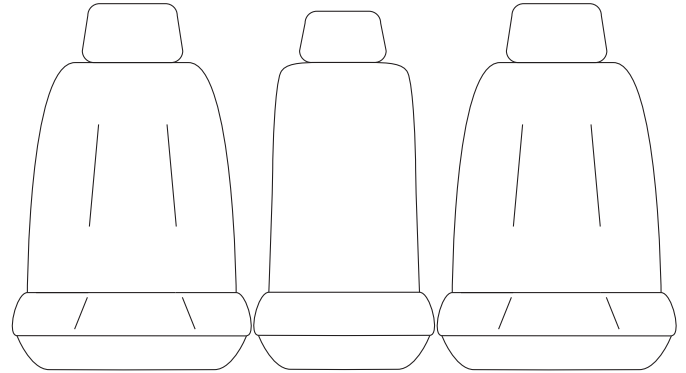
240



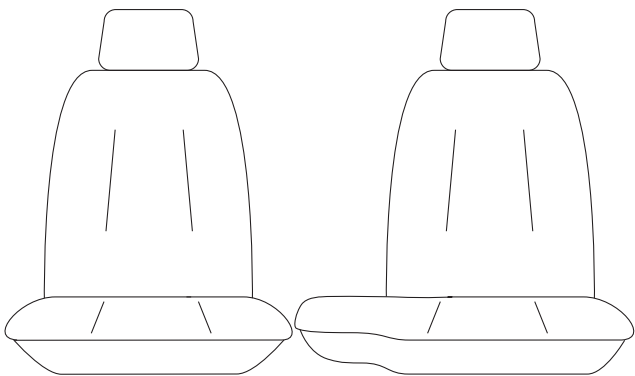
241



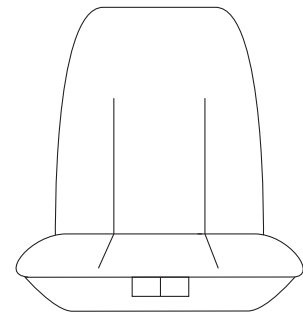
242



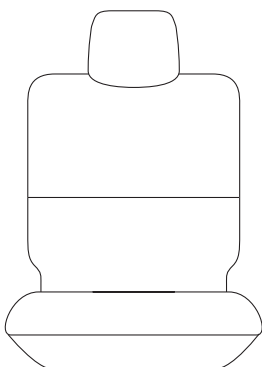
243



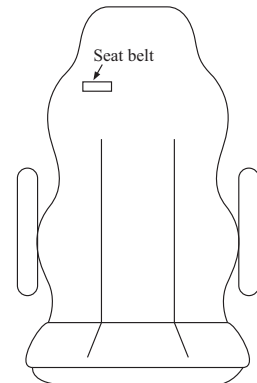
244



245



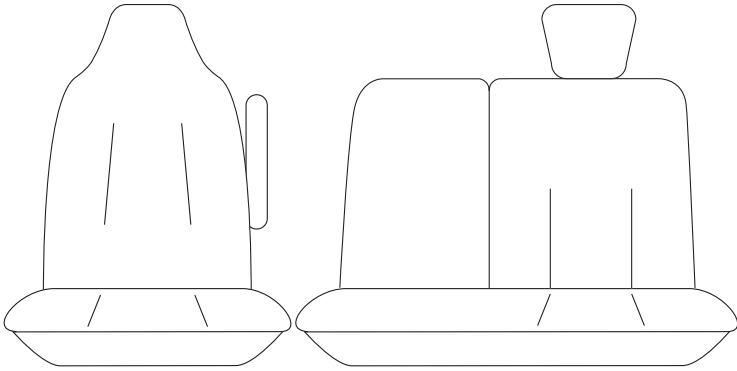
246



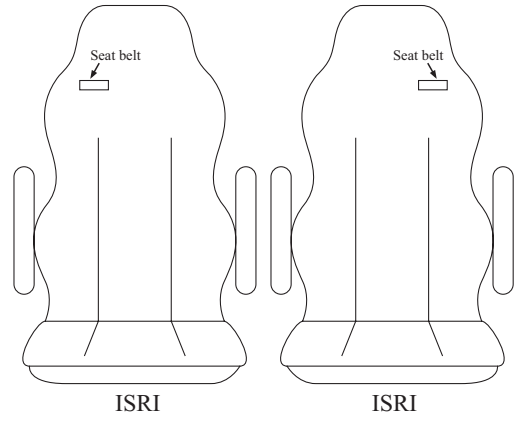
ISRI

FRONT SEATS

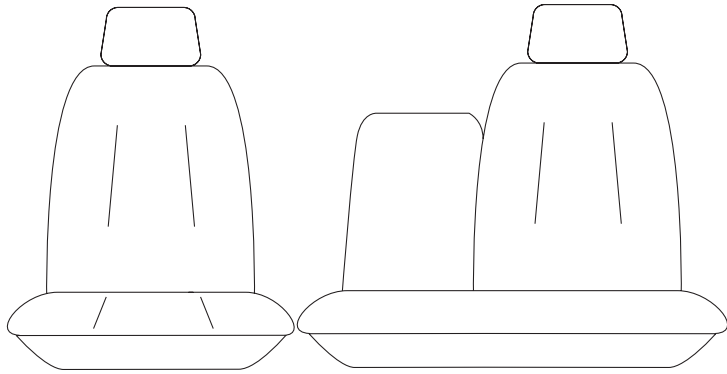
247



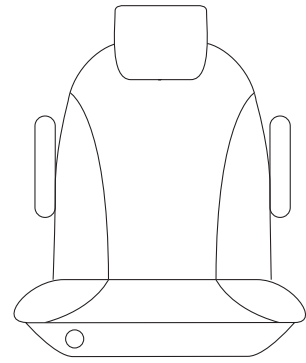
248



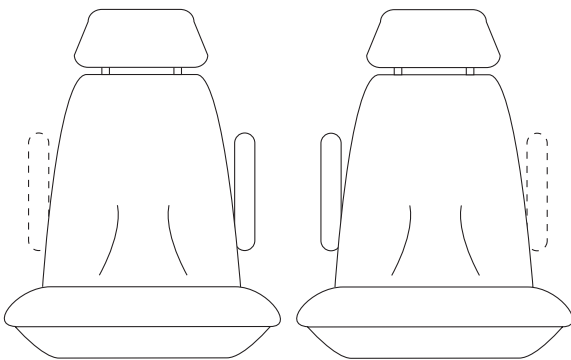
249



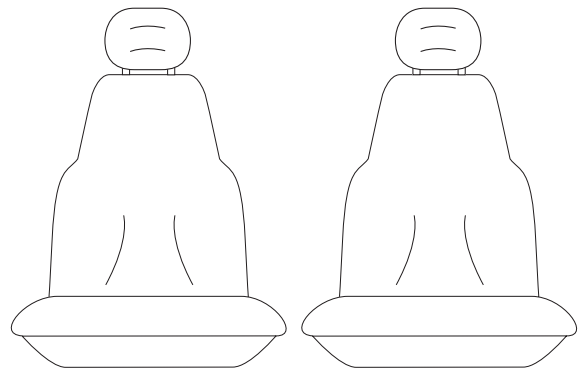
250



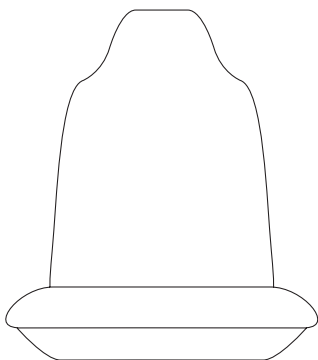
251



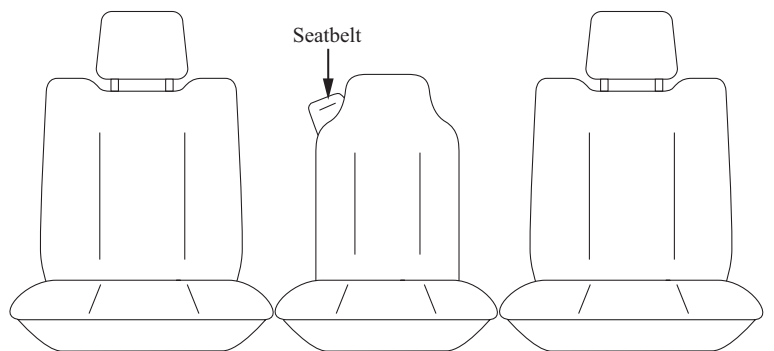
252



253

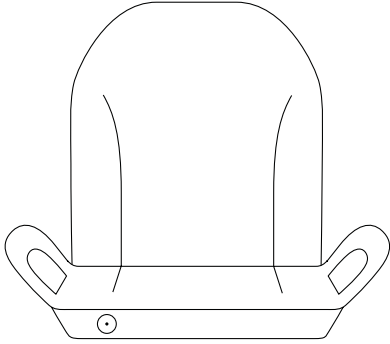


254

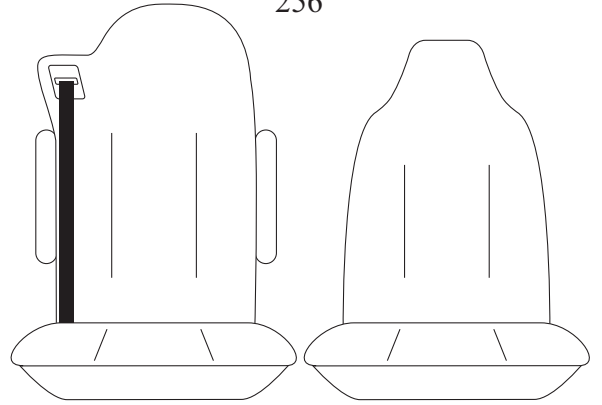


FRONT SEATS

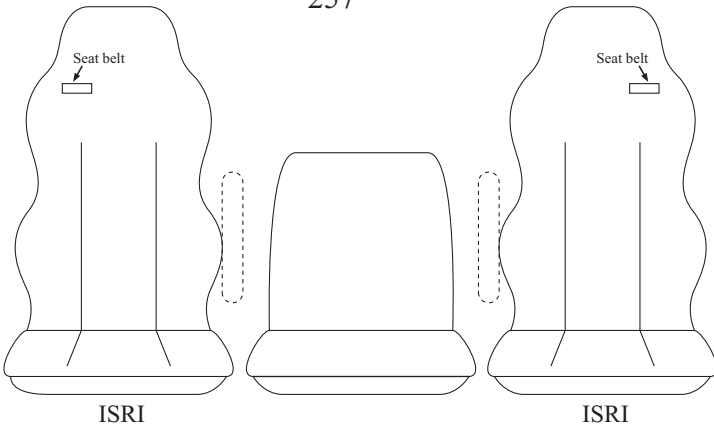
255



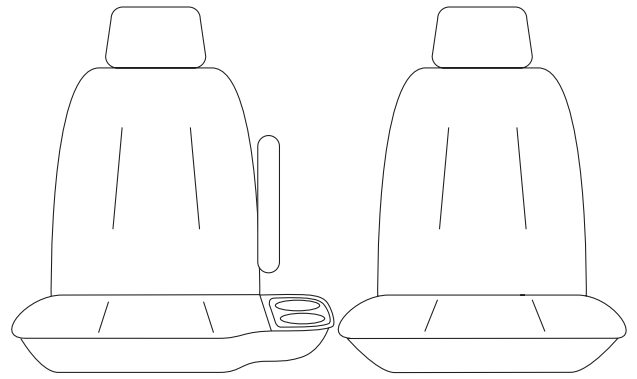
256



257

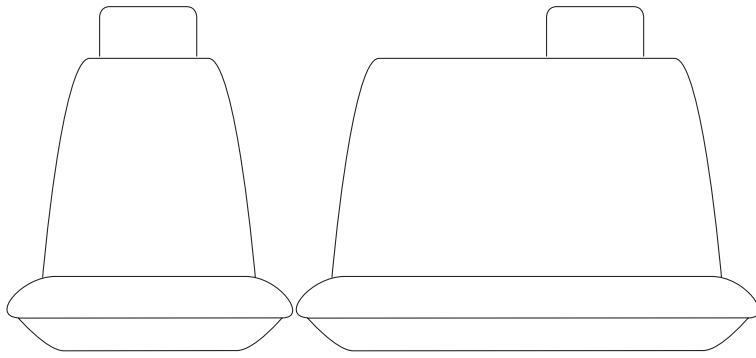


258

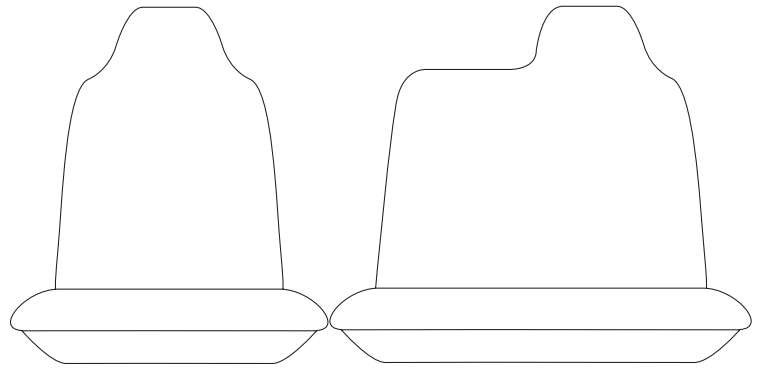


FRONT SEATS

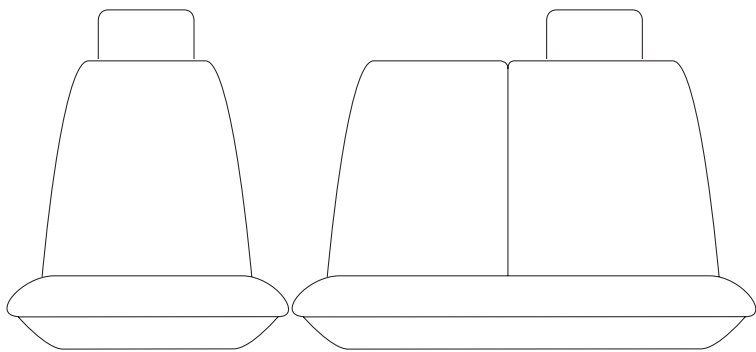
301



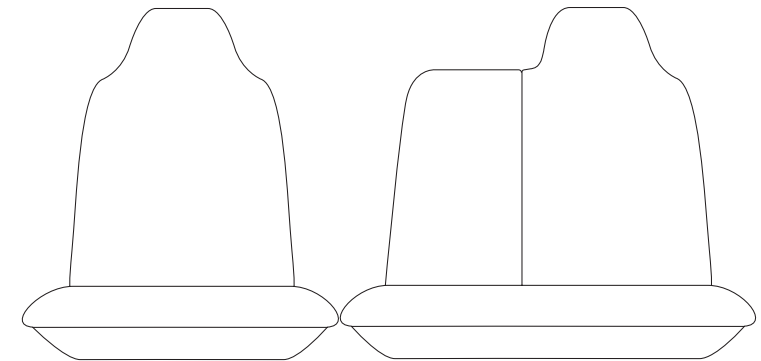
302



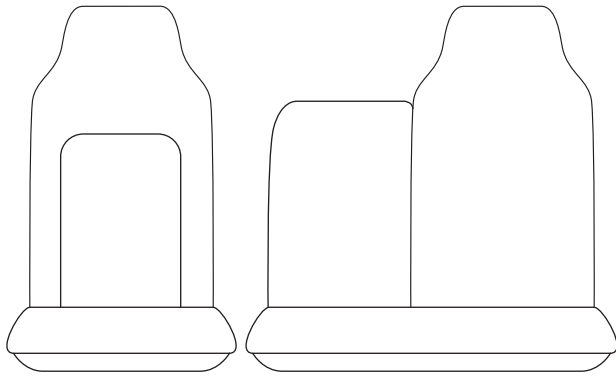
303



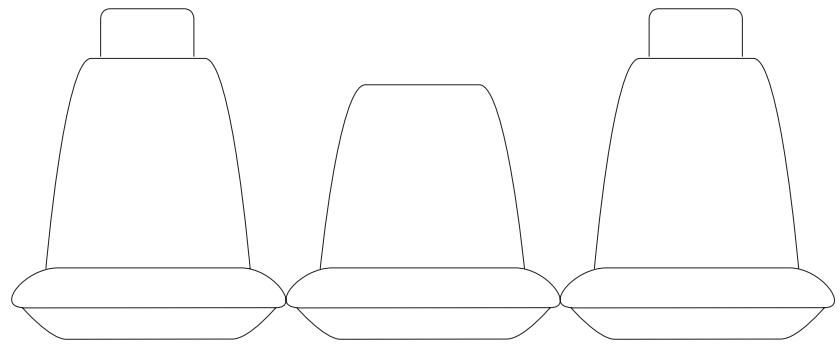
304



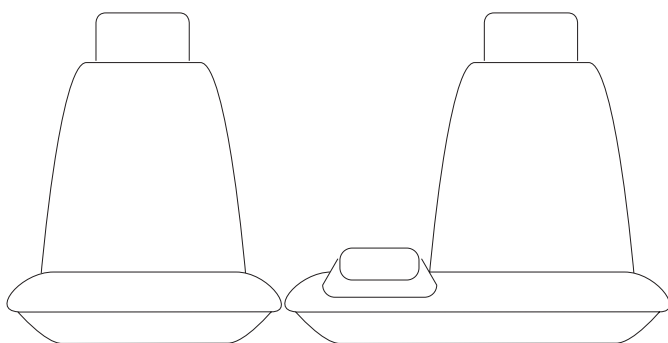
304S



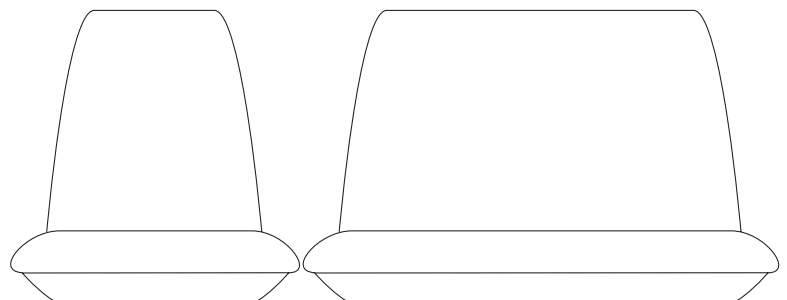
305



306

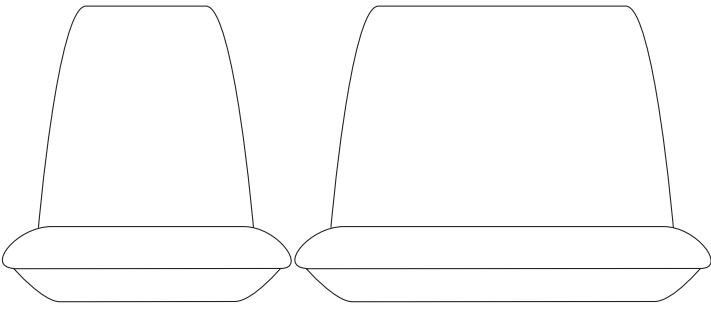


307

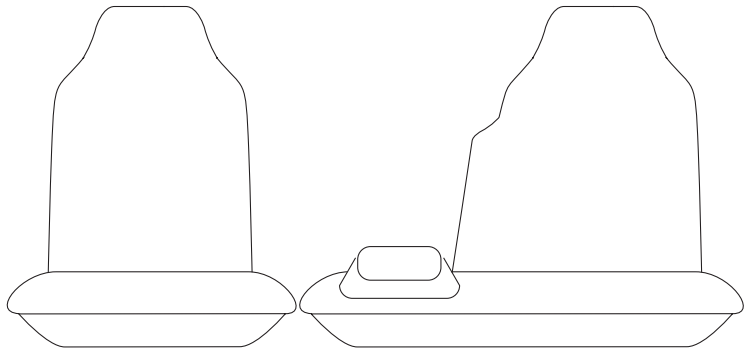


FRONT SEATS

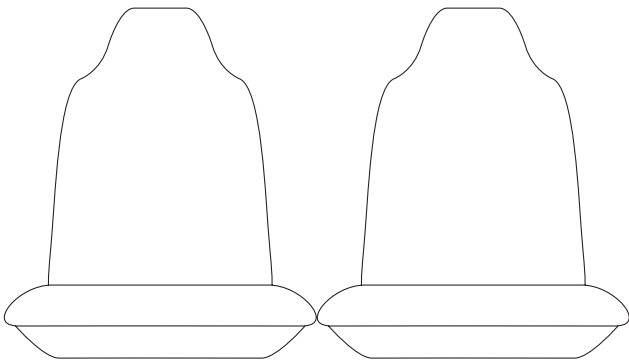
308



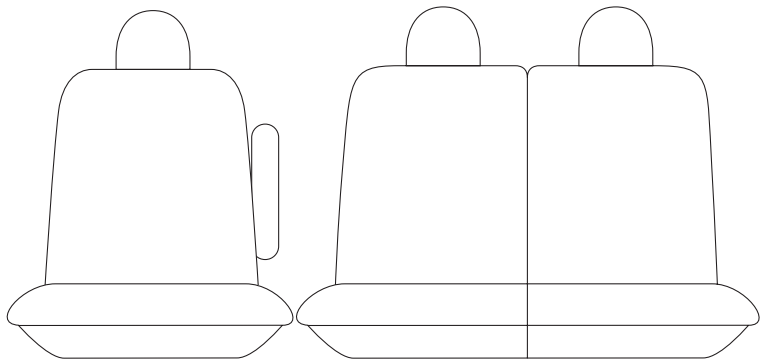
309



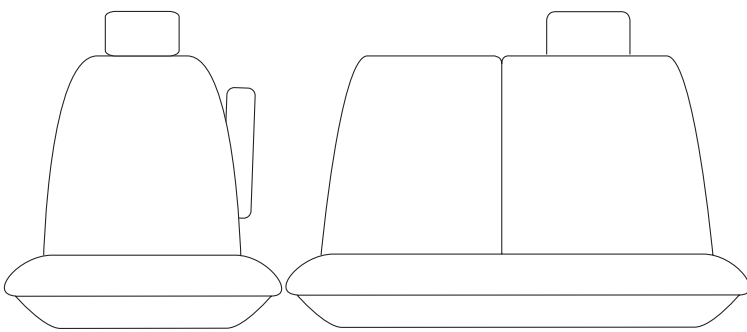
310



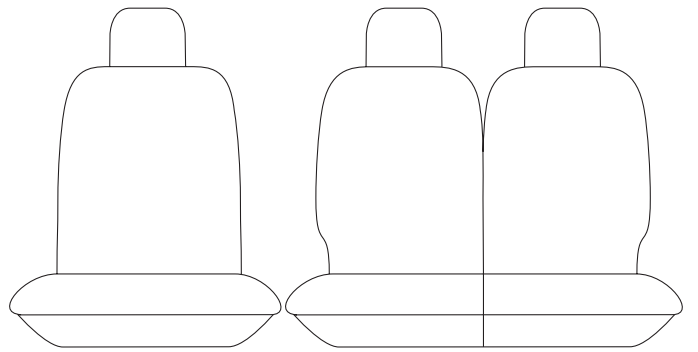
311



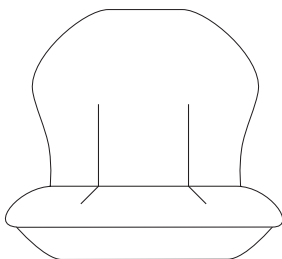
312



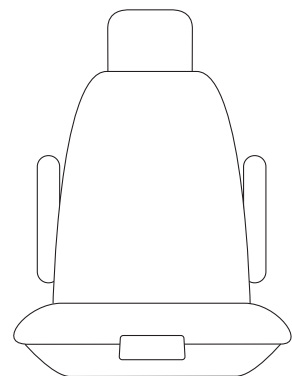
313



314

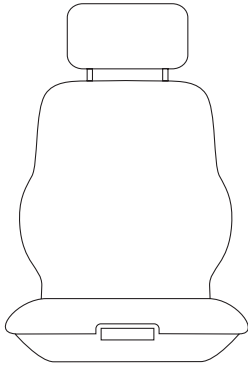


315

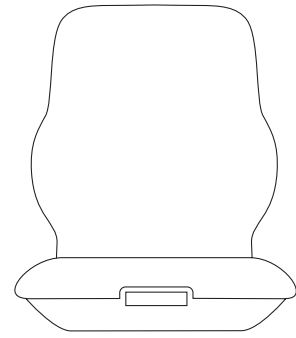


FRONT SEATS

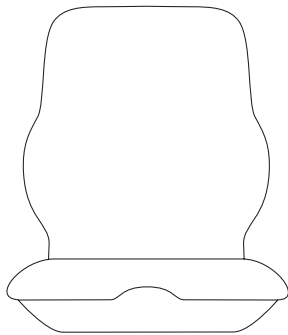
316



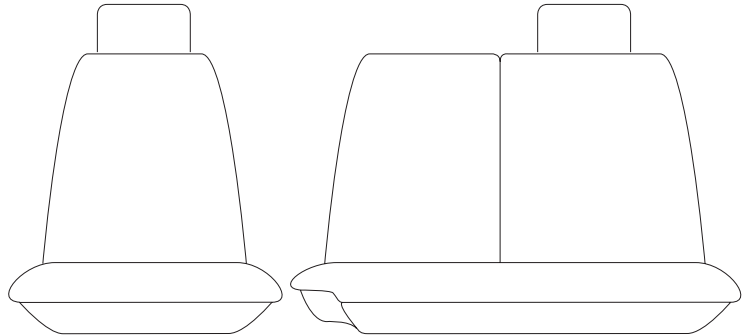
317



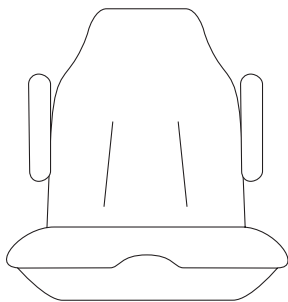
318



319

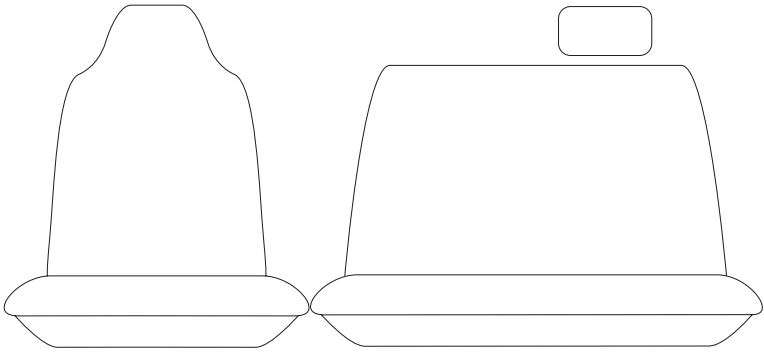


320

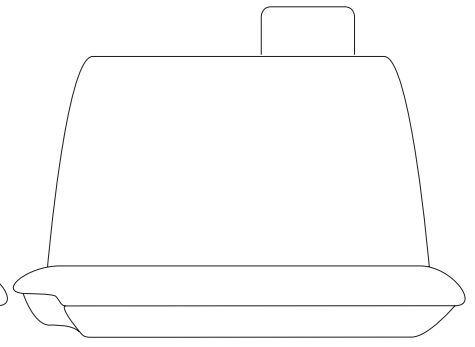


FRONT SEATS

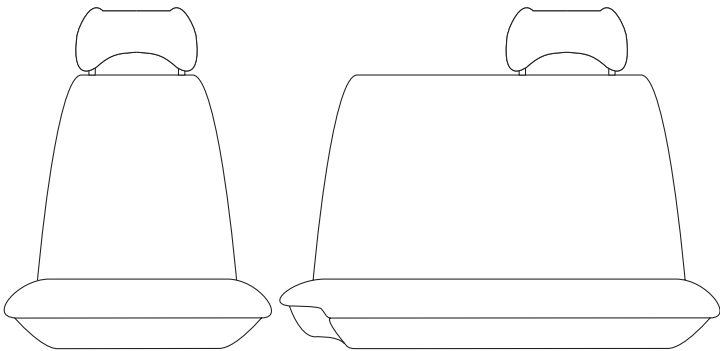
400



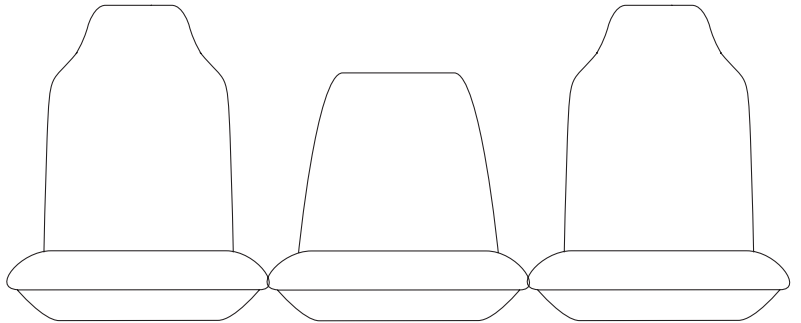
401



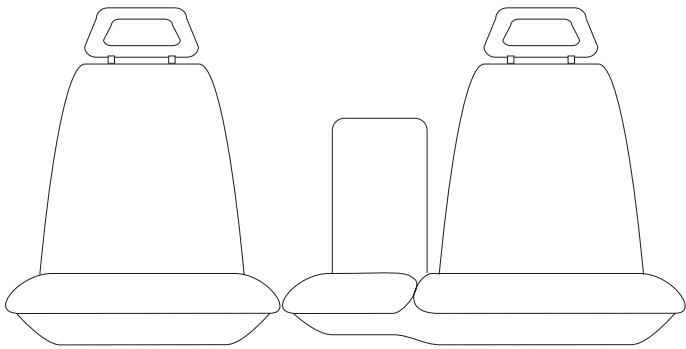
401B



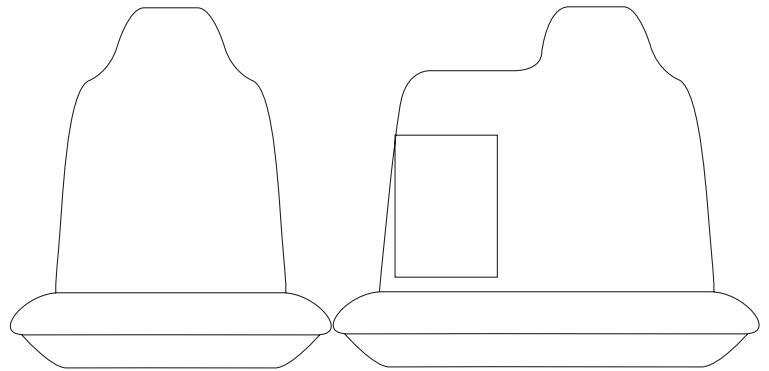
402



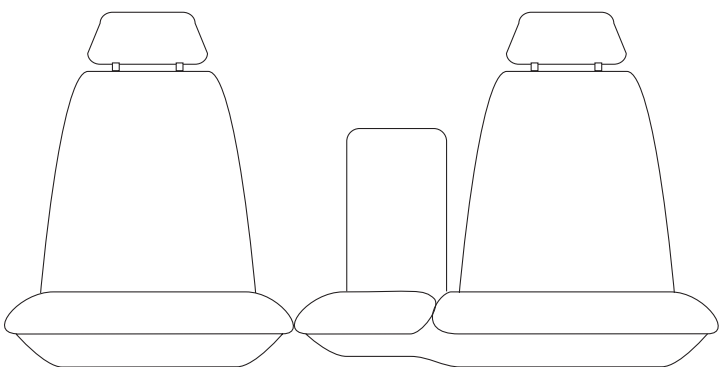
403



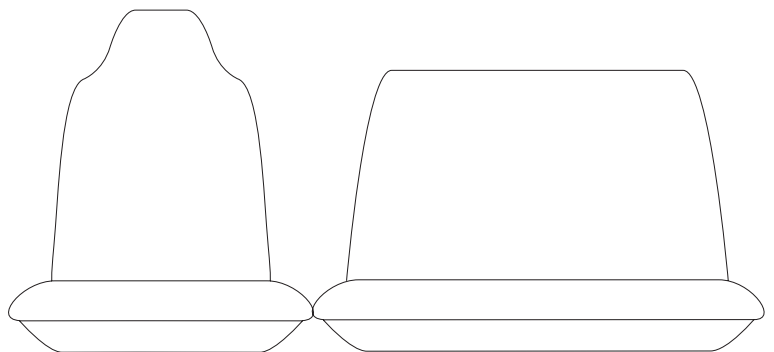
404



405

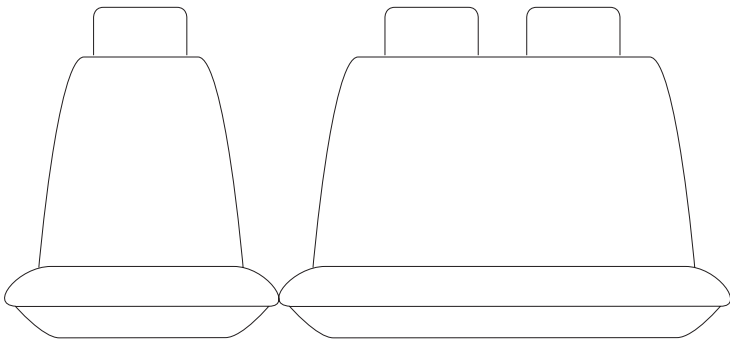


406

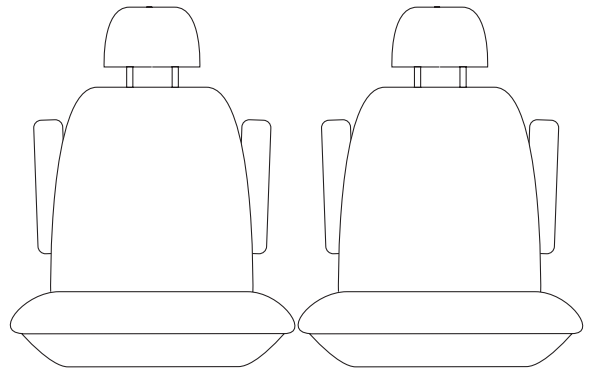


FRONT SEATS

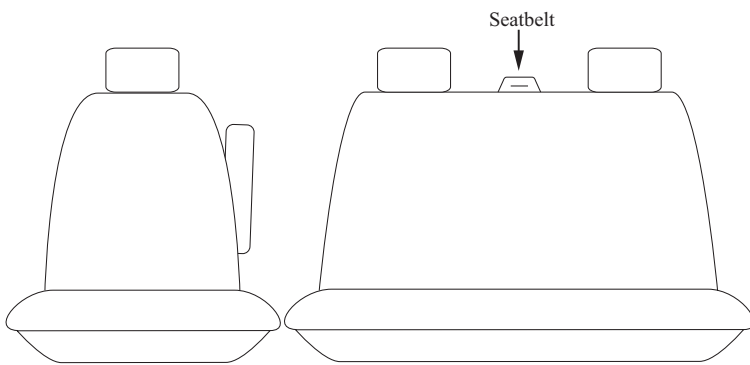
407



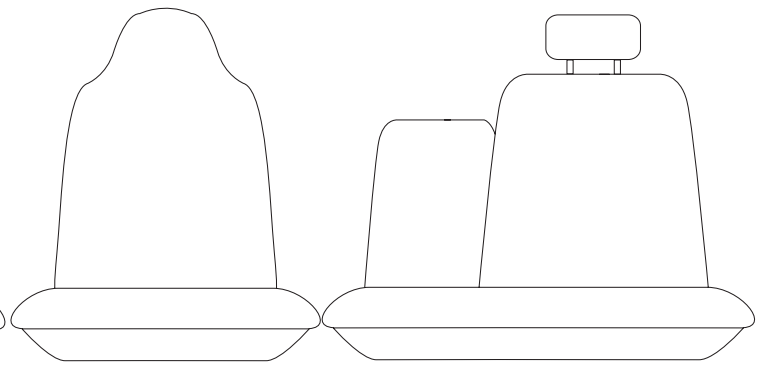
408



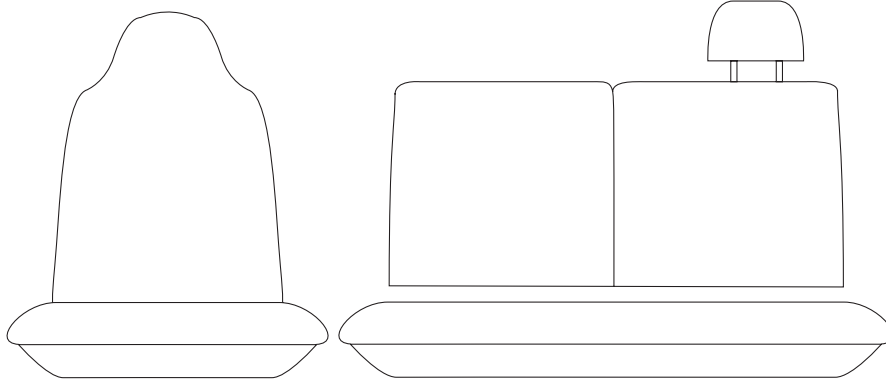
409



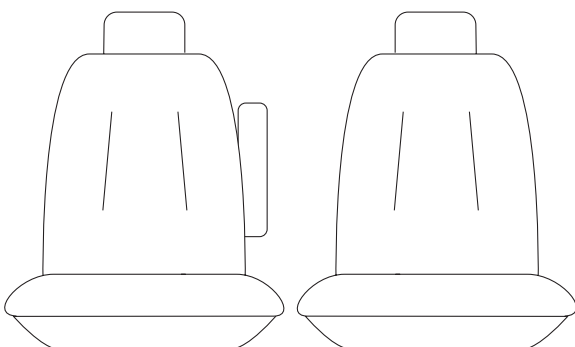
410



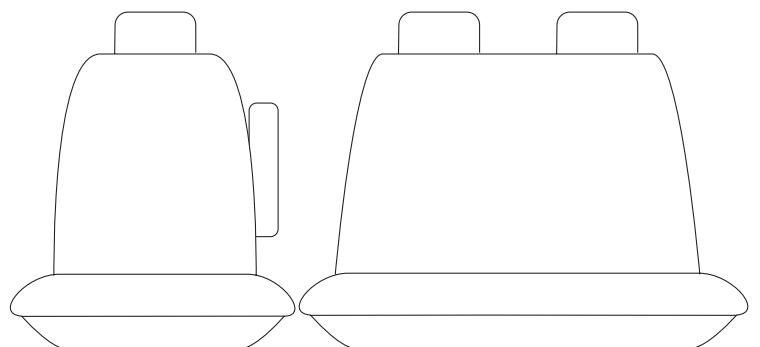
411



412

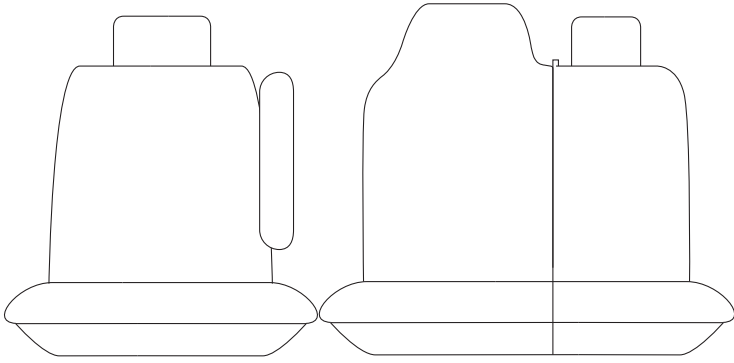


413

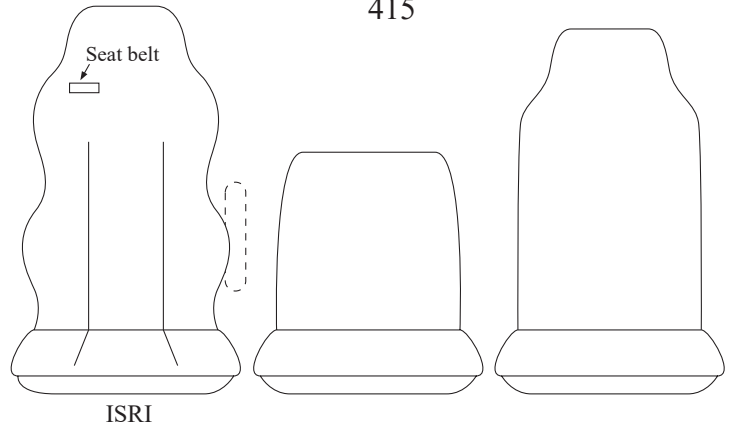


FRONT SEATS

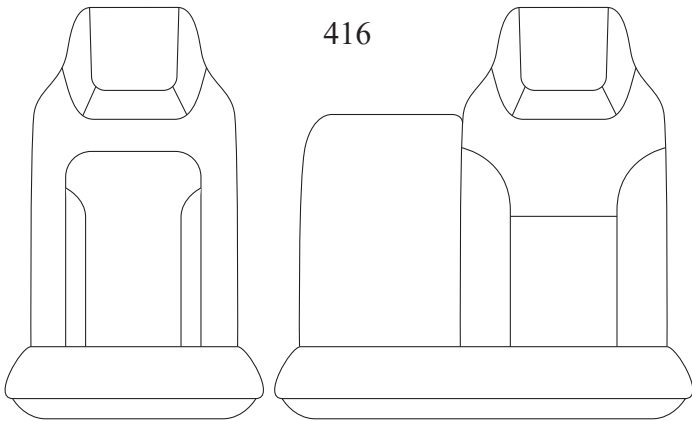
414



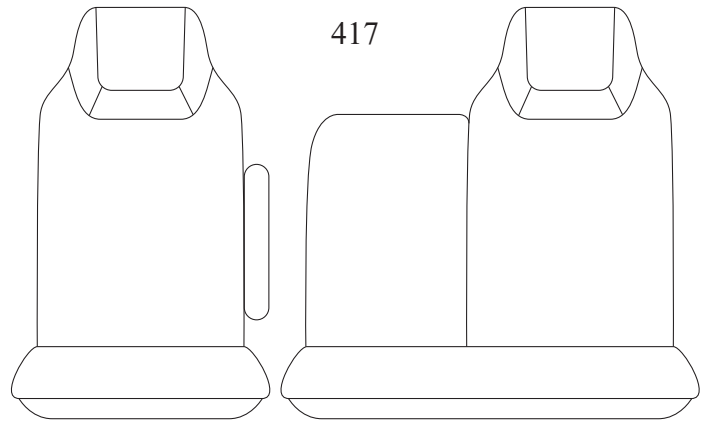
415



416

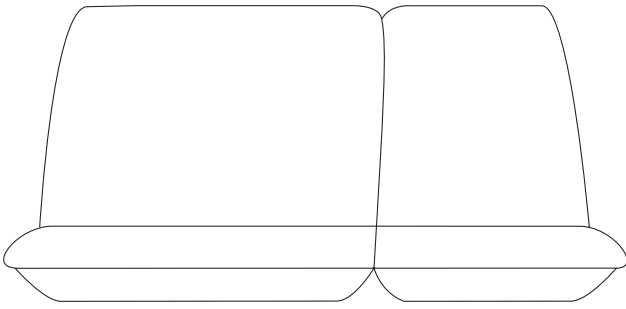


417

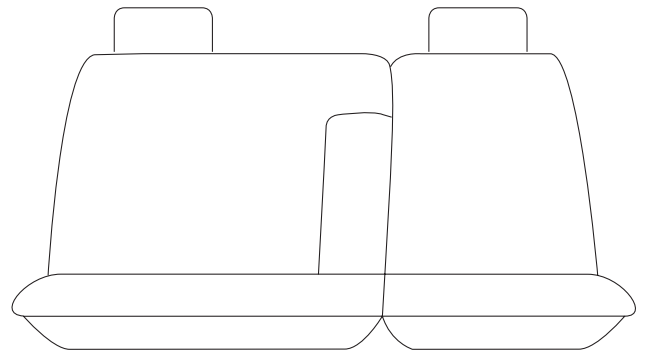


MIDDLE AND REAR SEATS

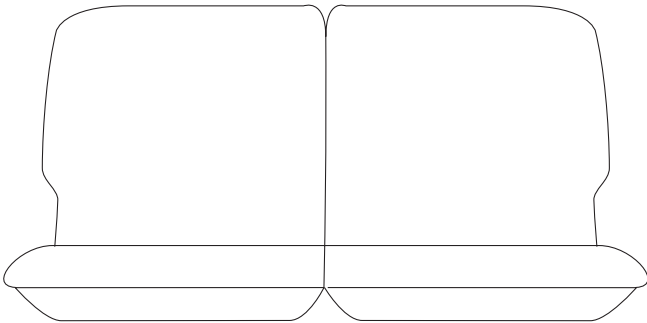
501



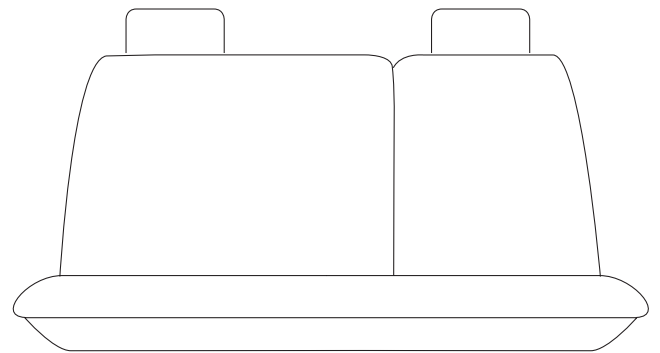
502



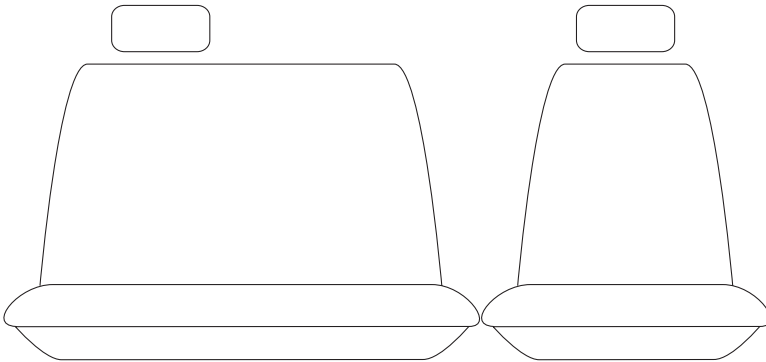
503



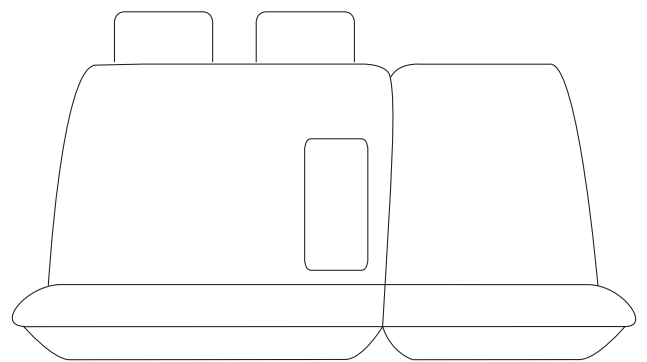
504



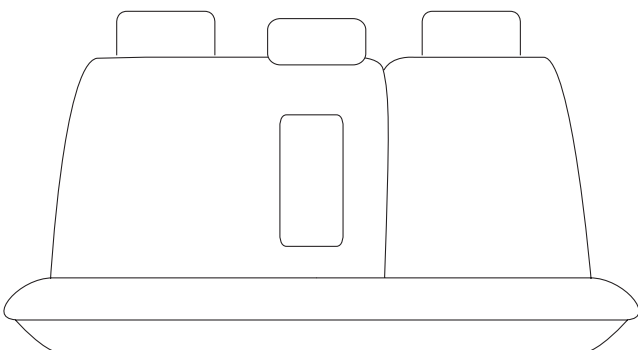
505



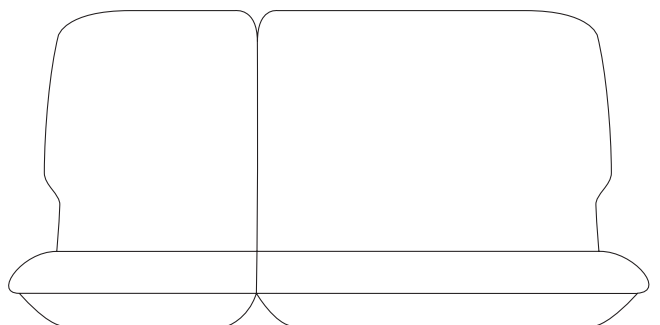
506



507

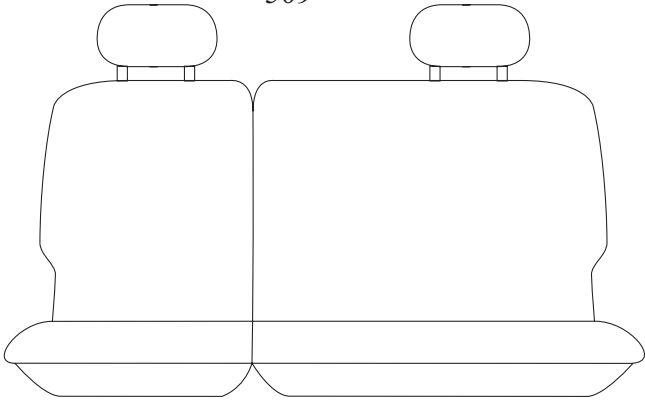


508

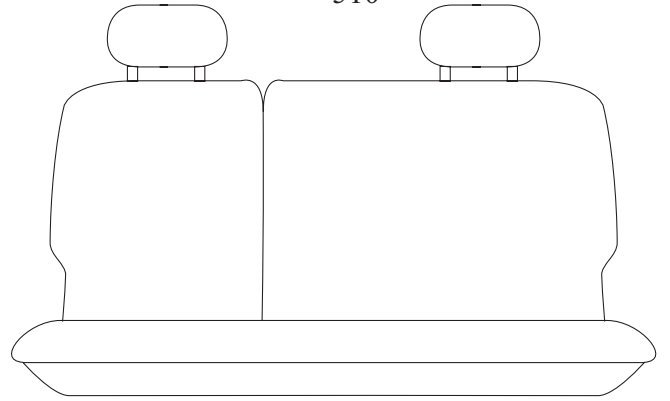


MIDDLE AND REAR SEATS

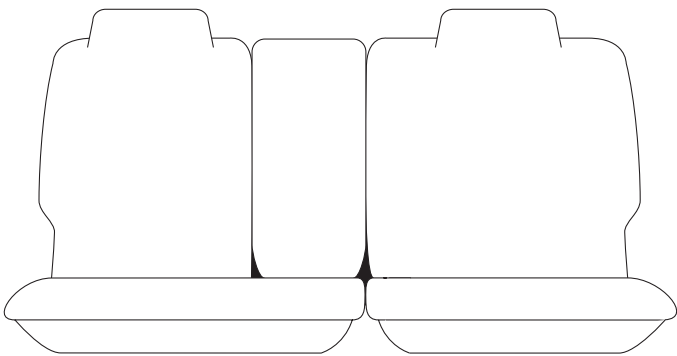
509



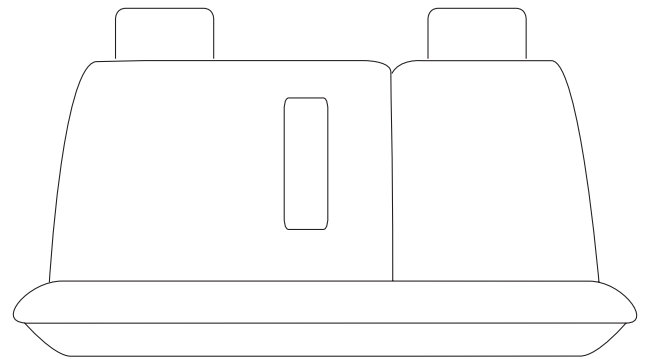
510



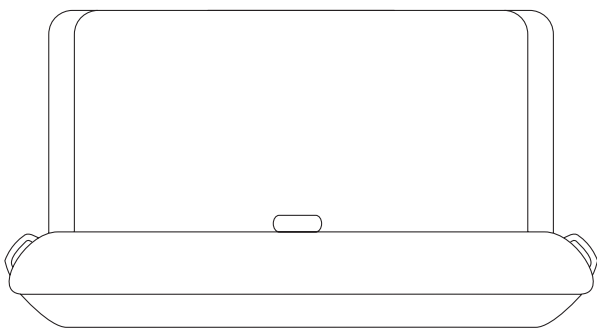
511



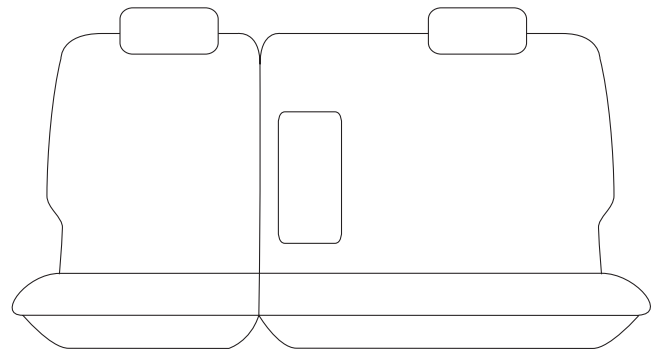
512



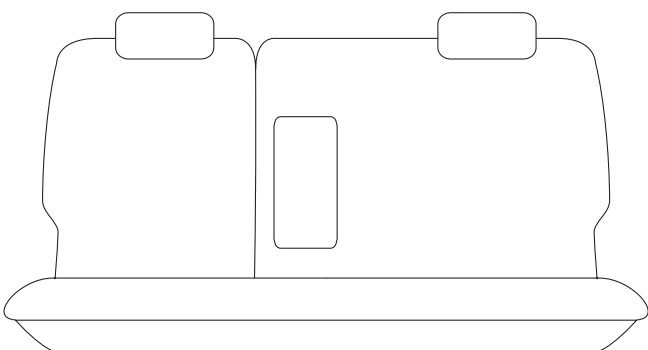
513



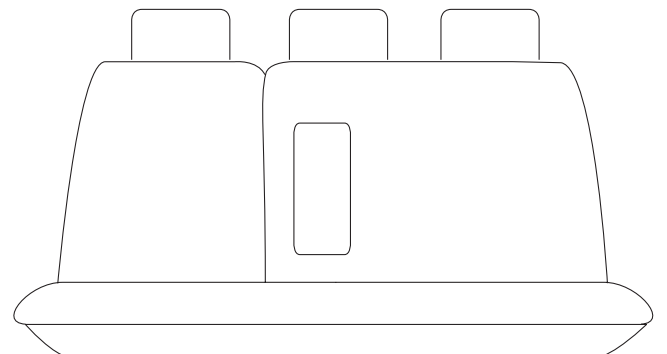
514



515

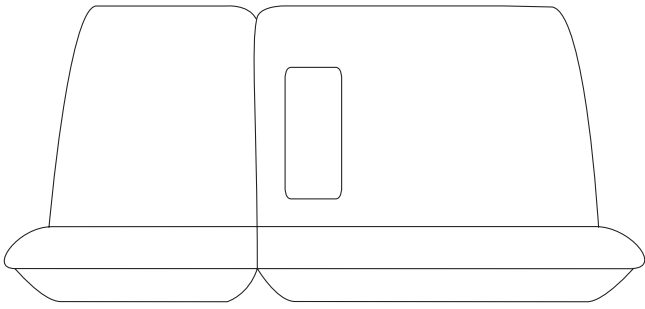


516

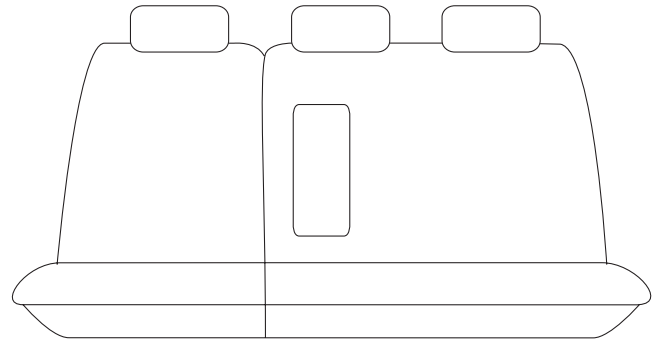


MIDDLE AND REAR SEATS

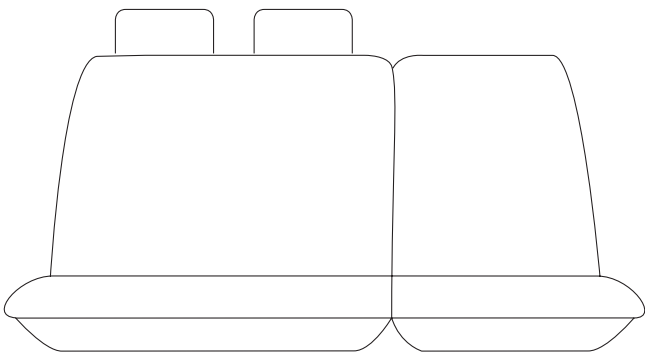
517



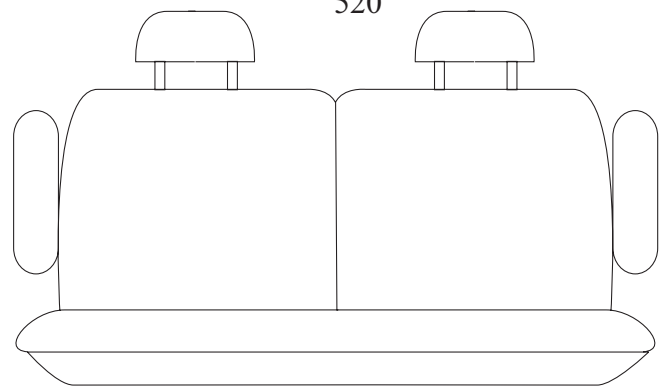
518



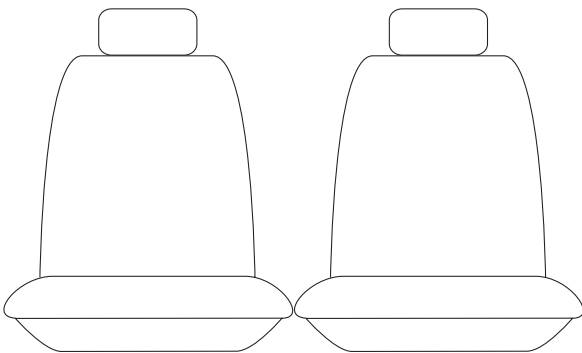
519



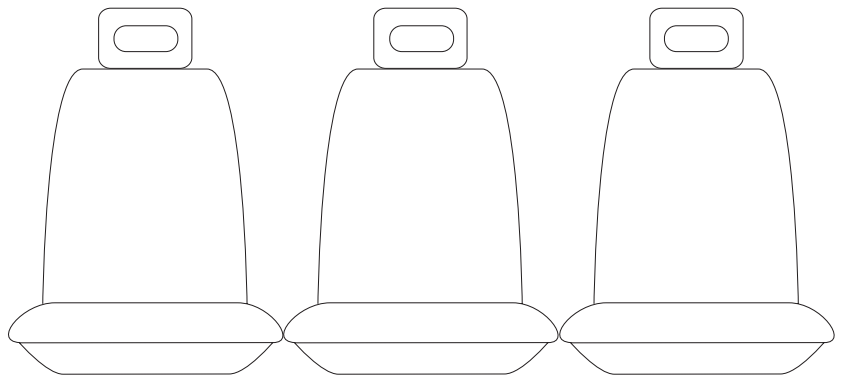
520



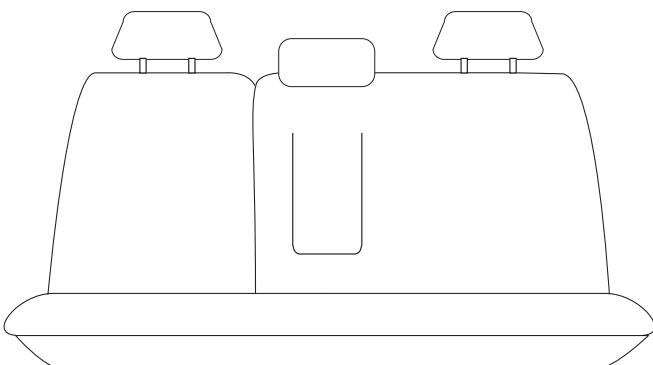
521



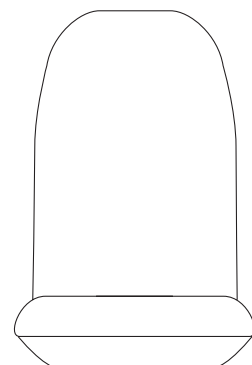
522



523

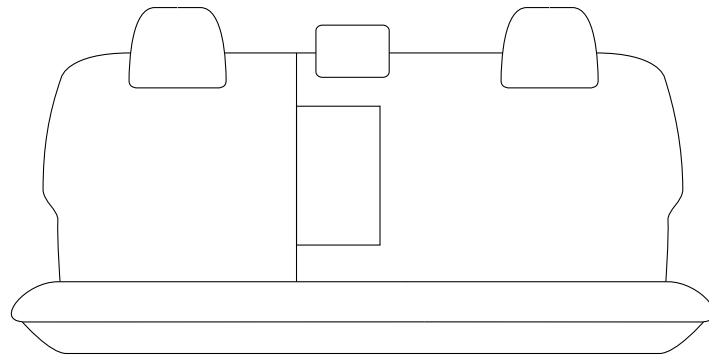


524



MIDDLE AND REAR SEATS

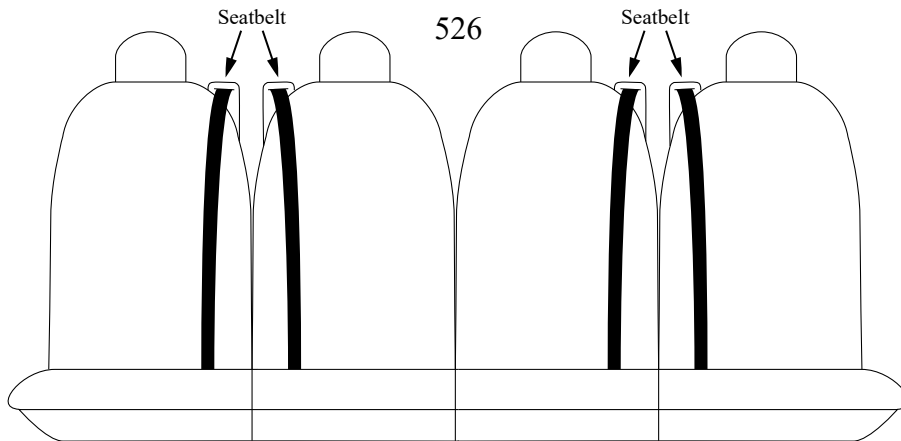
525



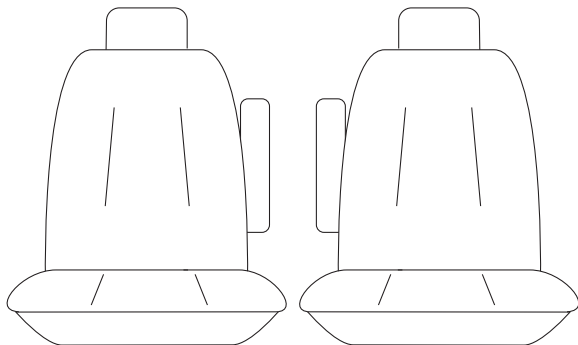
Seatbelt

526

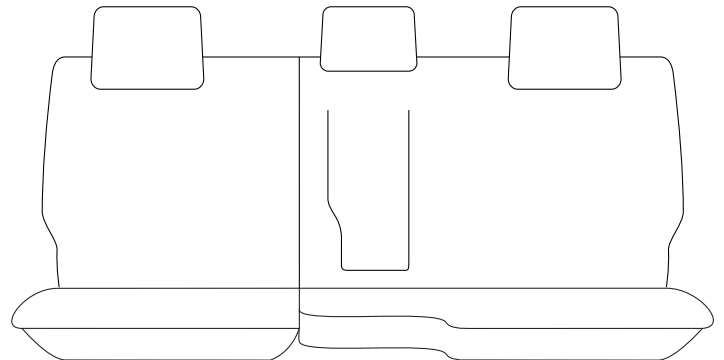
Seatbelt



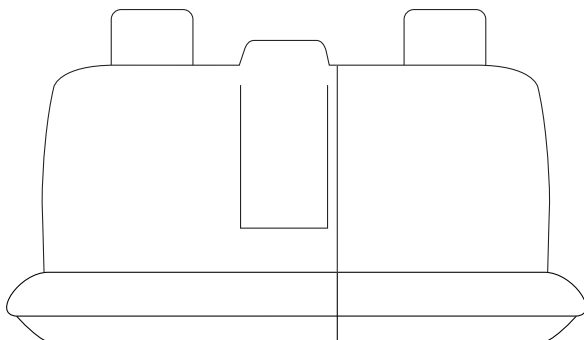
527



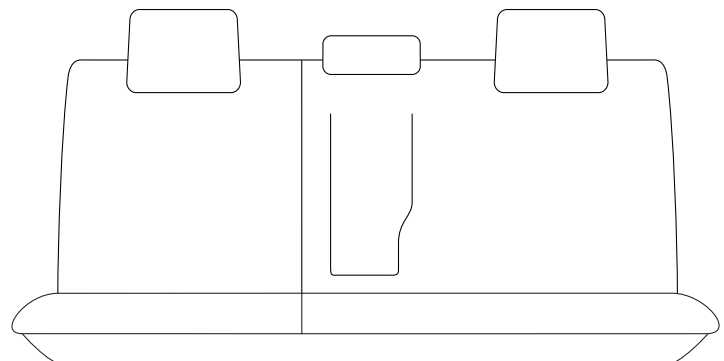
528



529

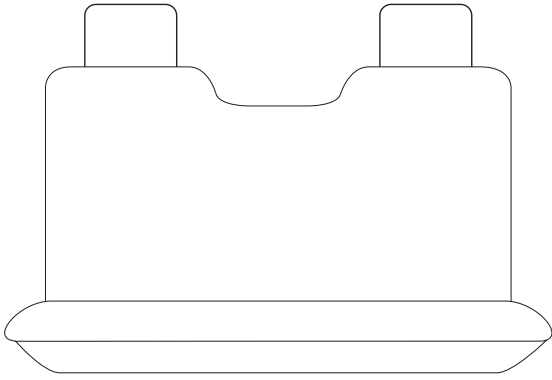


530



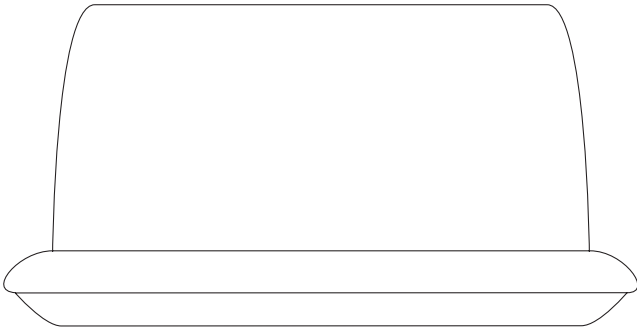
MIDDLE AND REAR SEATS

531

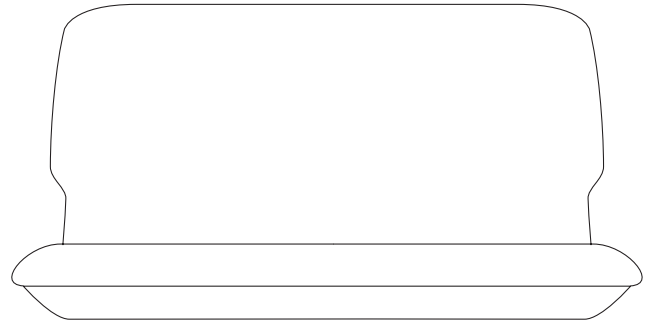


MIDDLE AND REAR SEATS

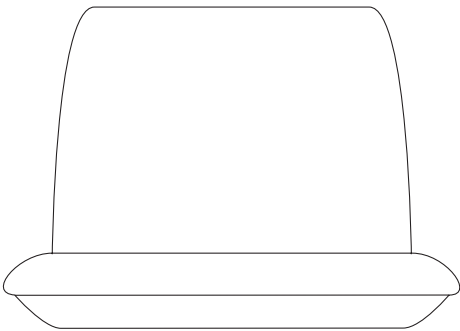
701



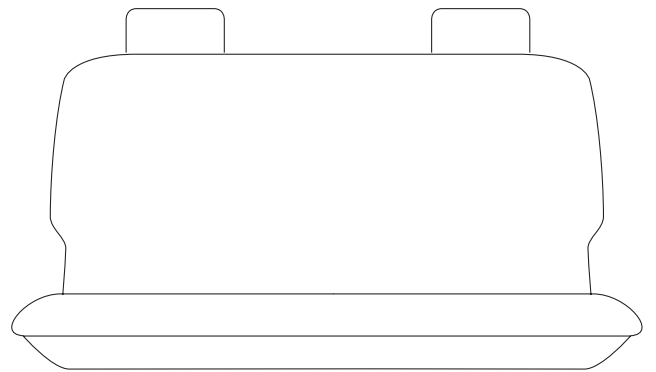
702



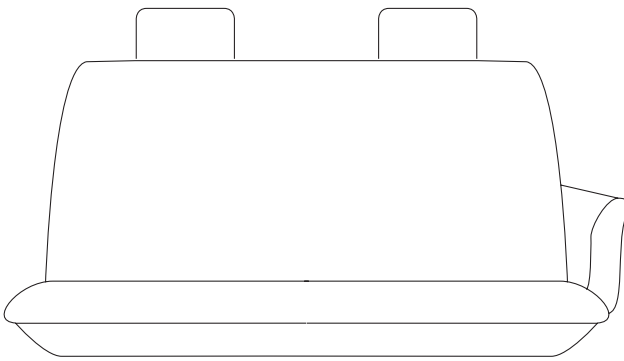
703



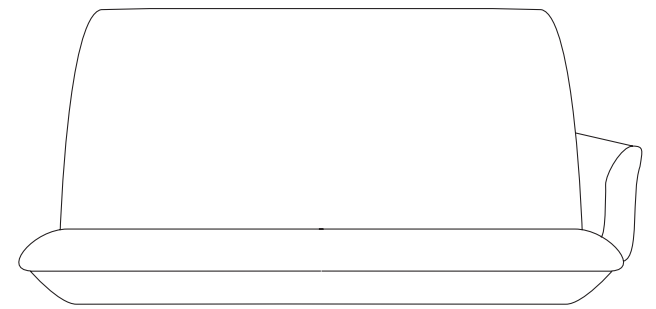
704



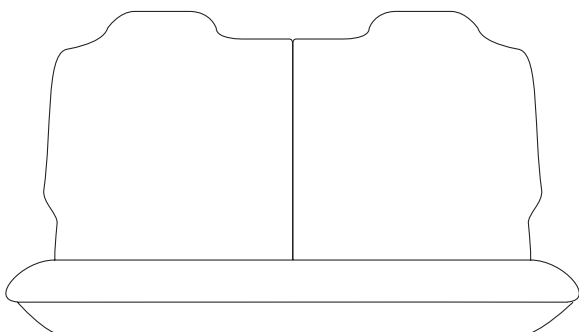
705



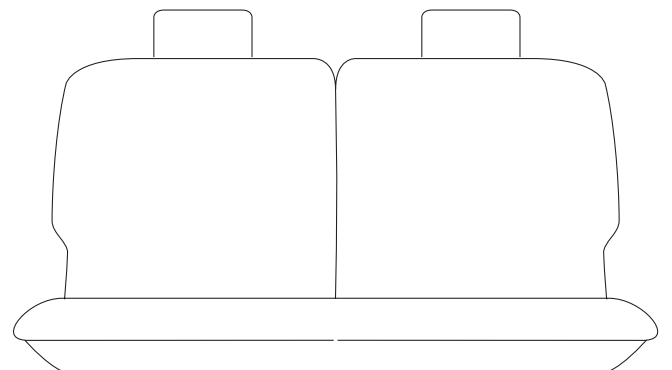
706



707

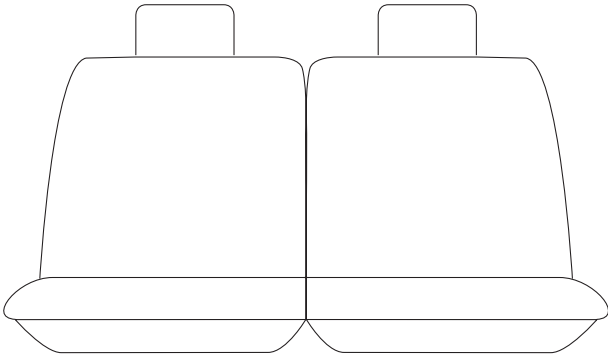


708

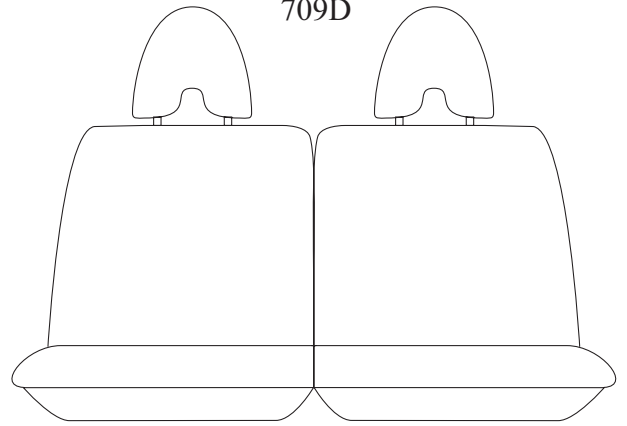


MIDDLE AND REAR SEATS

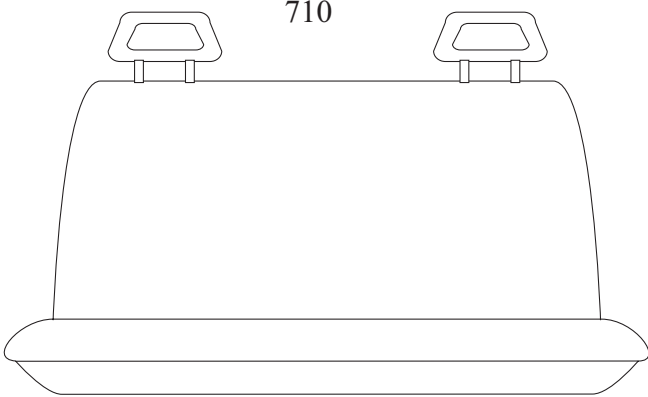
709



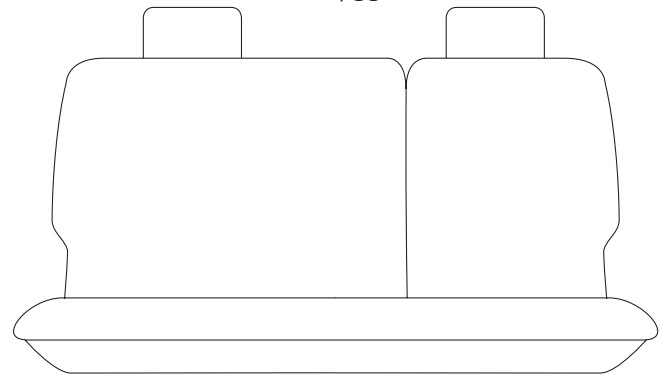
709D



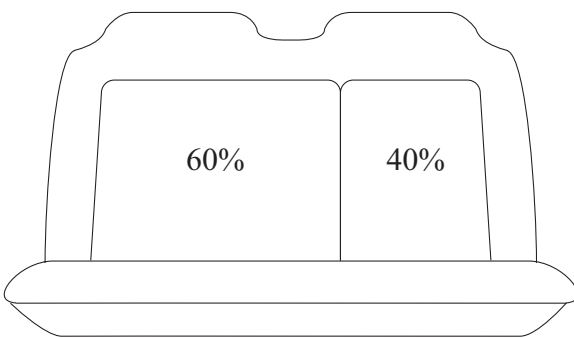
710



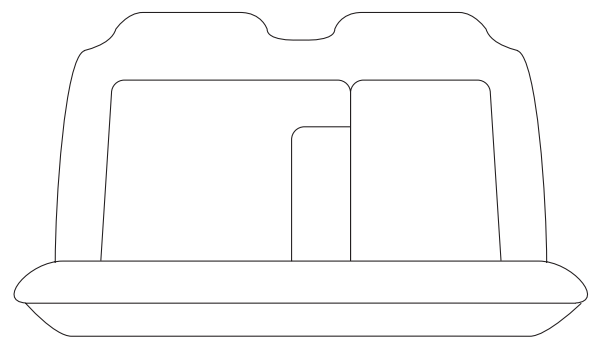
711



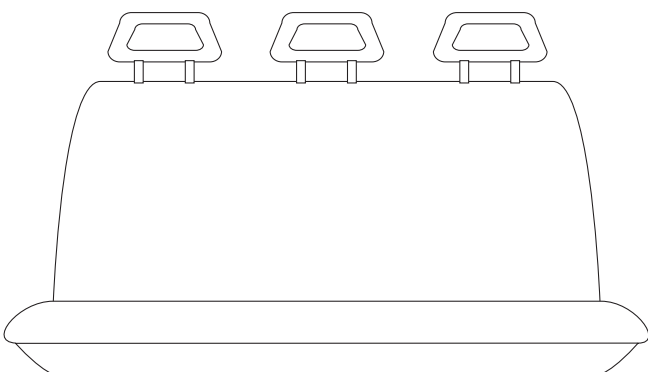
712



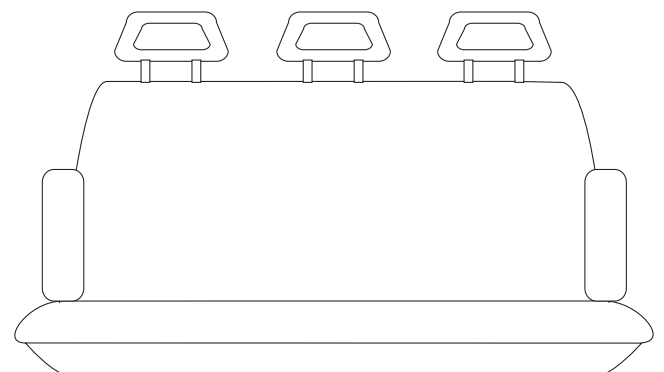
713



714

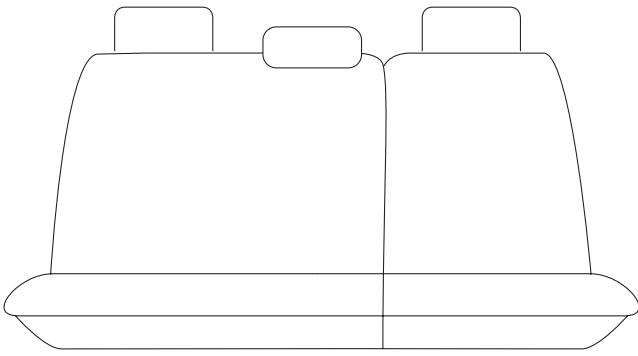


715

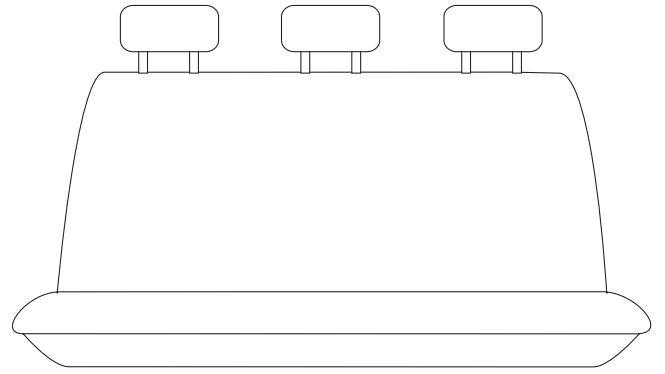


MIDDLE AND REAR SEATS

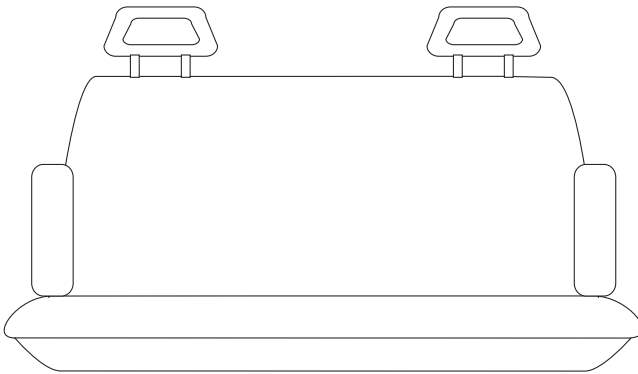
716



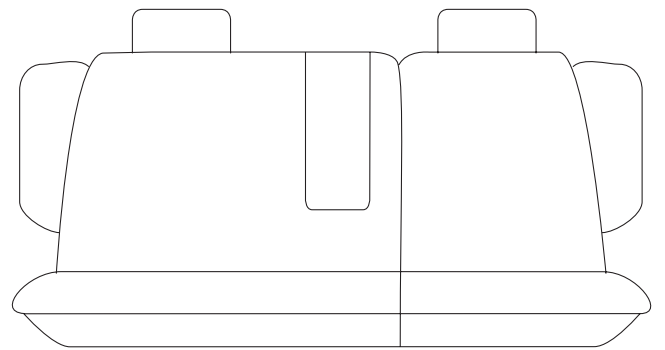
717



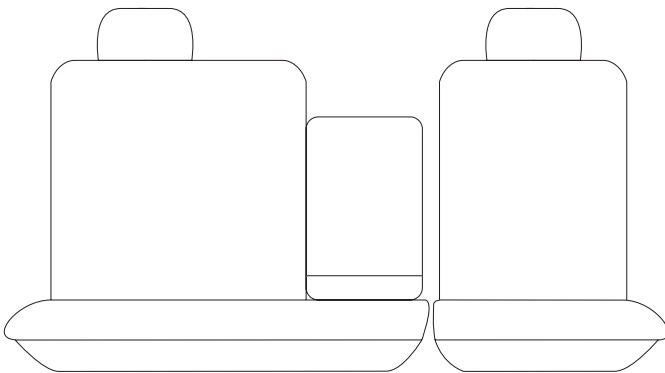
718



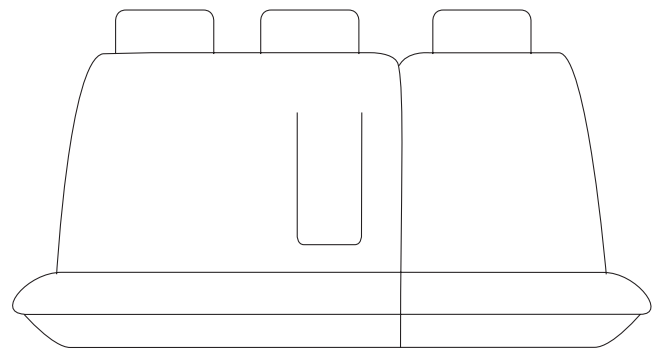
719



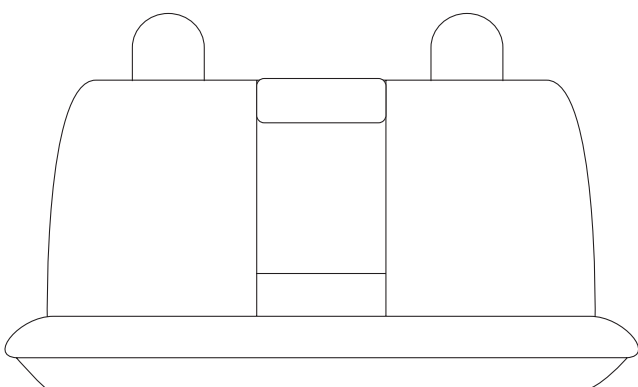
720



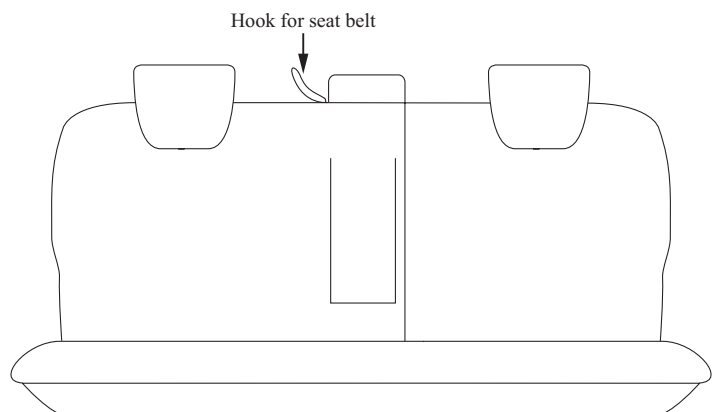
721



722



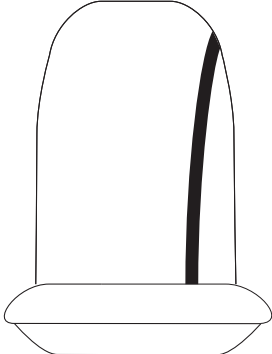
723



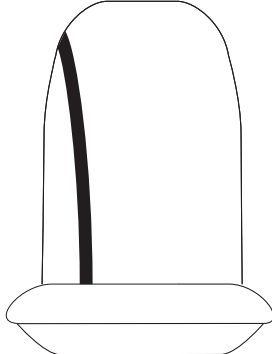
Hook for seat belt

MIDDLE AND REAR SEATS

724

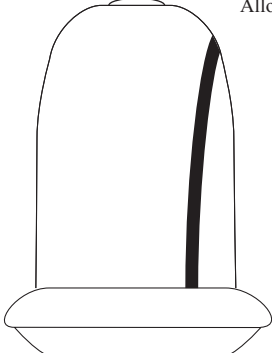


725



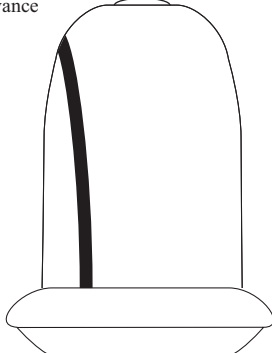
726

Baby Seat Allowance

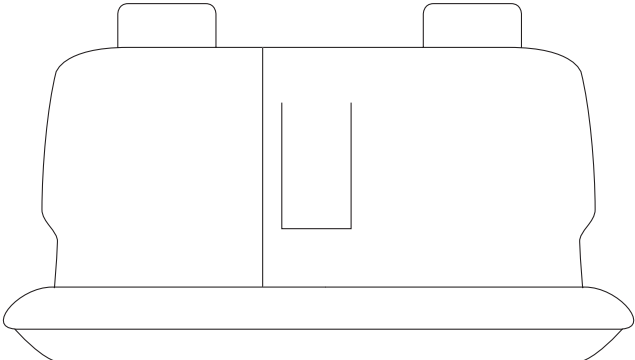


727

Baby Seat Allowance

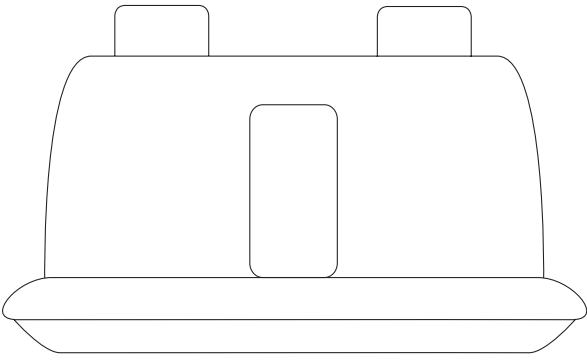


728

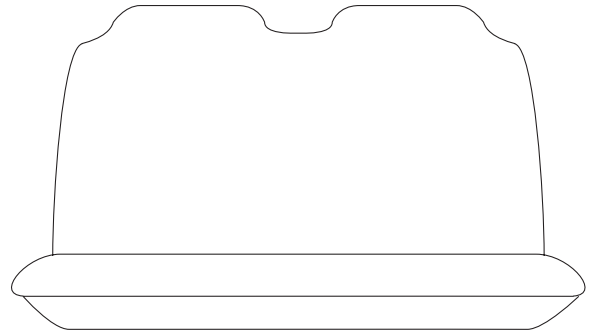


MIDDLE AND REAR SEATS

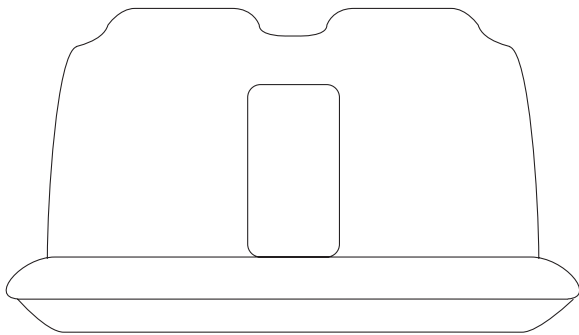
801



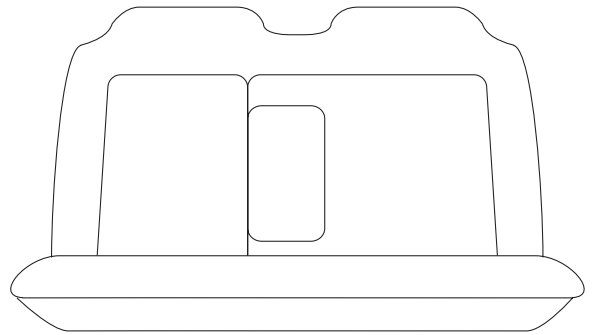
802



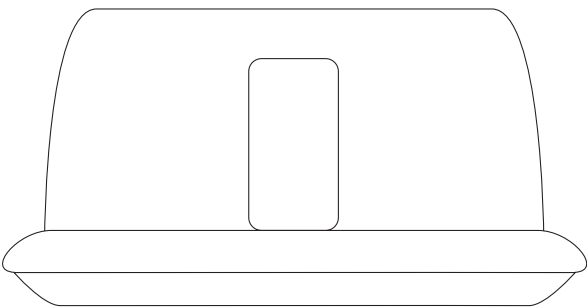
803



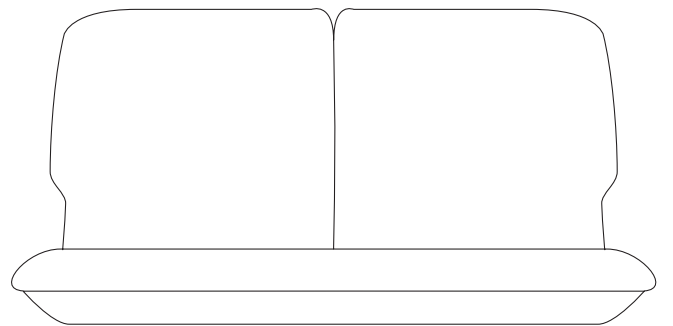
804



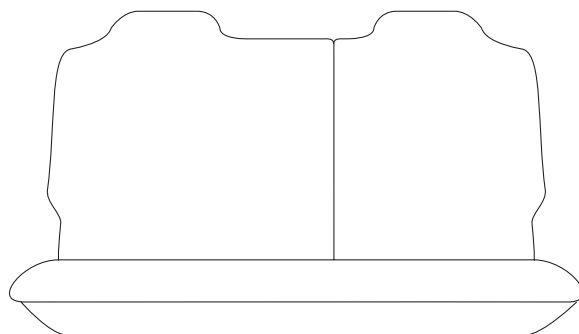
805



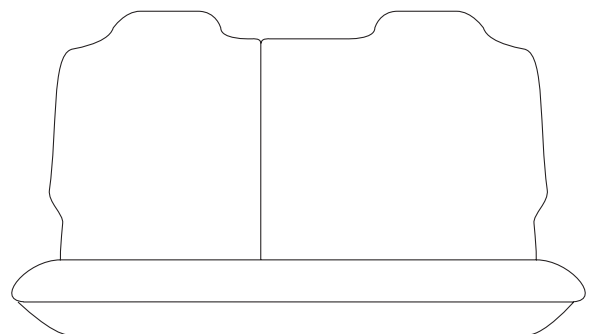
806



807

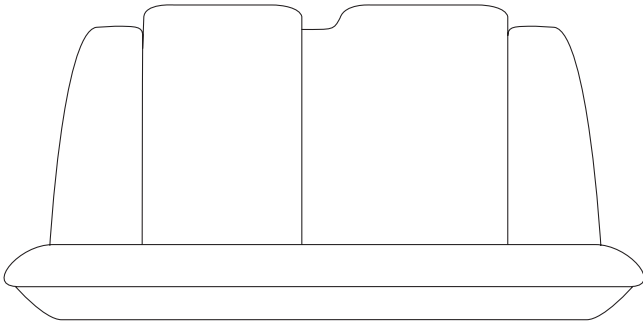


808

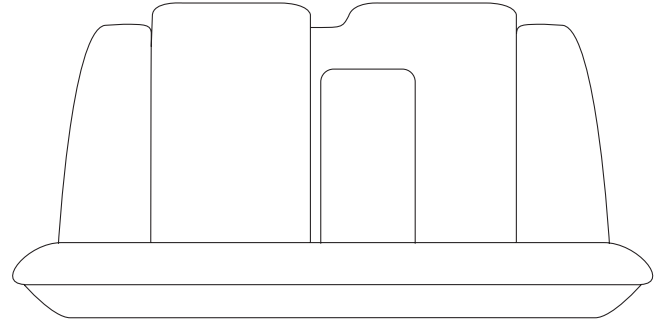


MIDDLE AND REAR SEATS

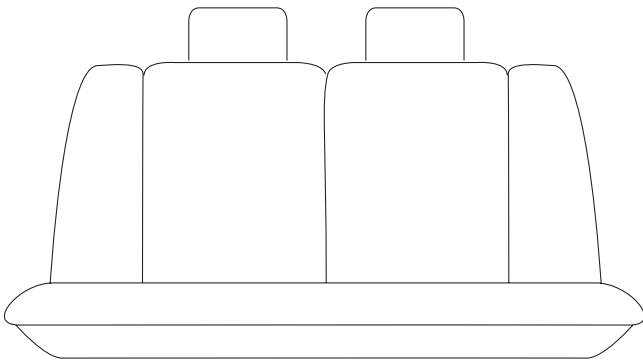
809



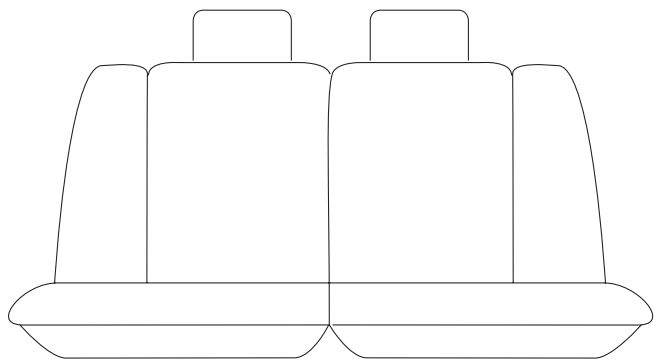
810



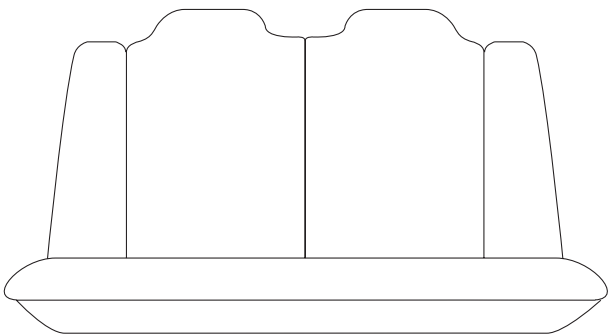
811



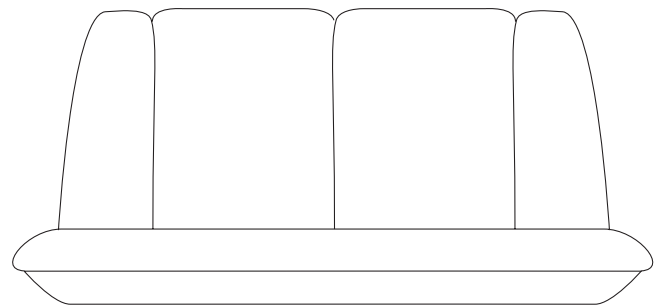
812



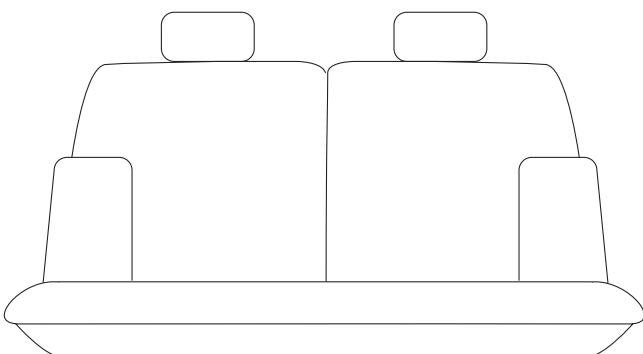
813



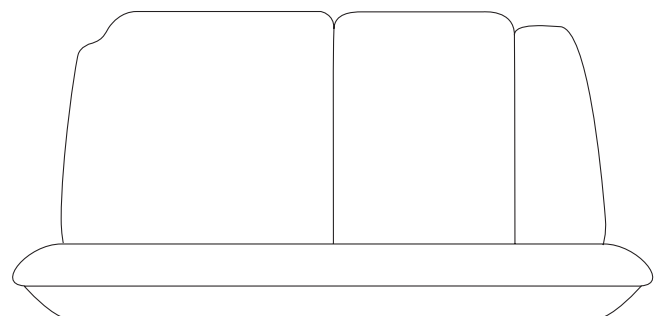
814



815

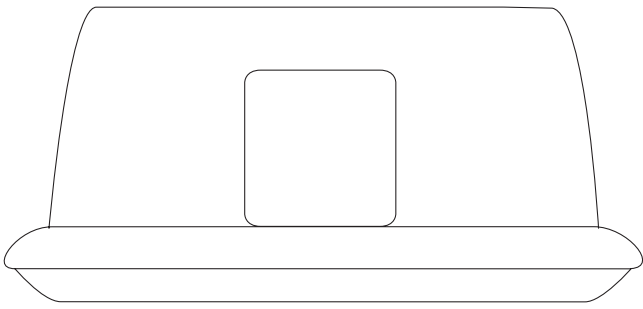


816

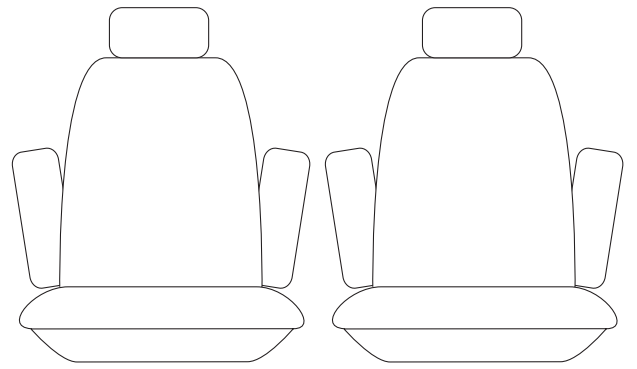


MIDDLE AND REAR SEATS

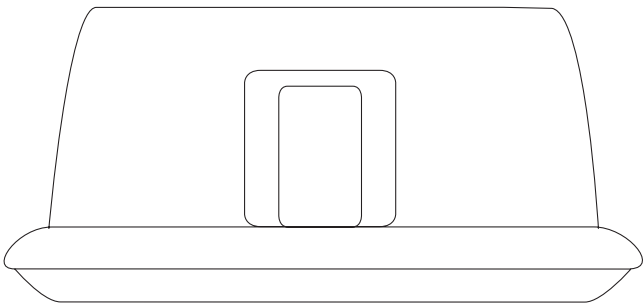
817



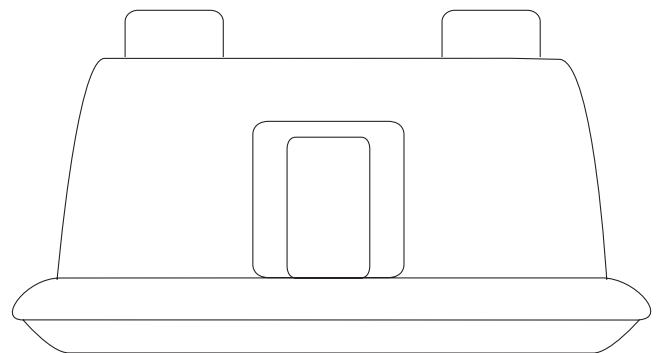
818



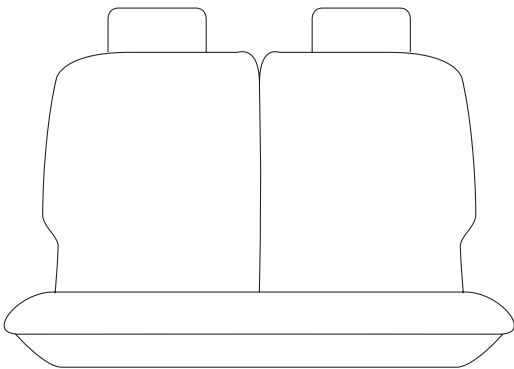
819



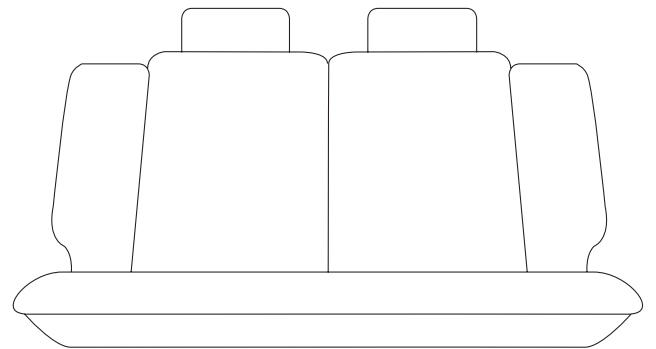
820



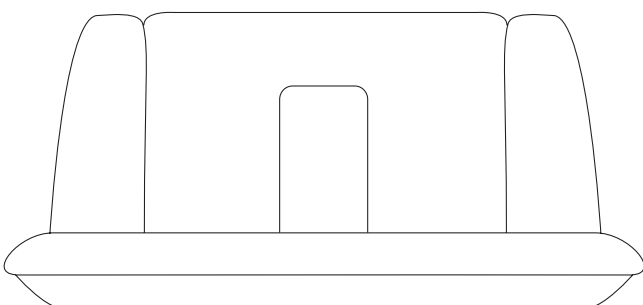
821



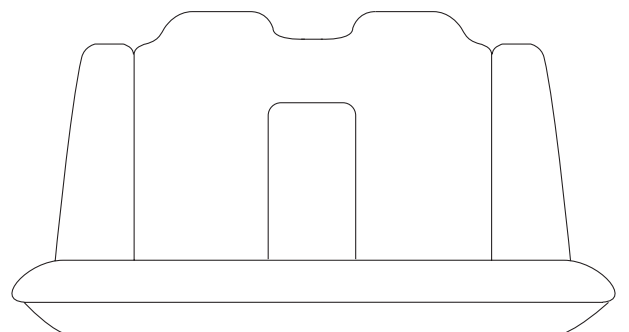
822



823

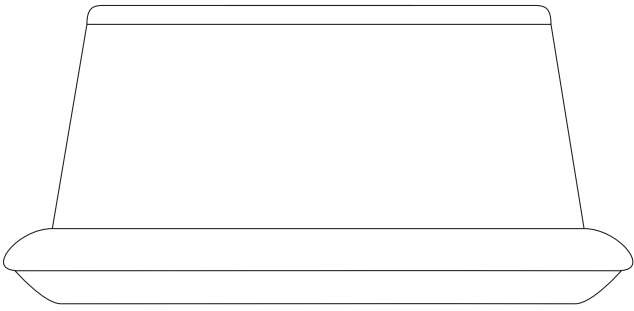


824

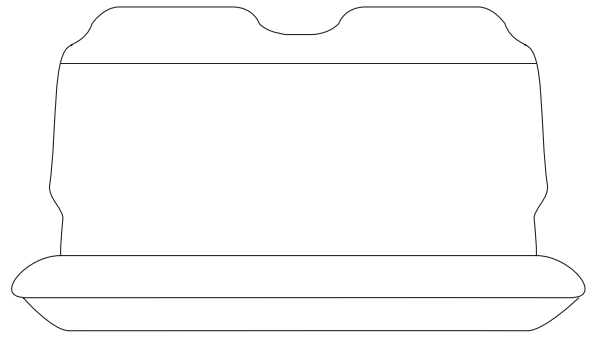


MIDDLE AND REAR SEATS

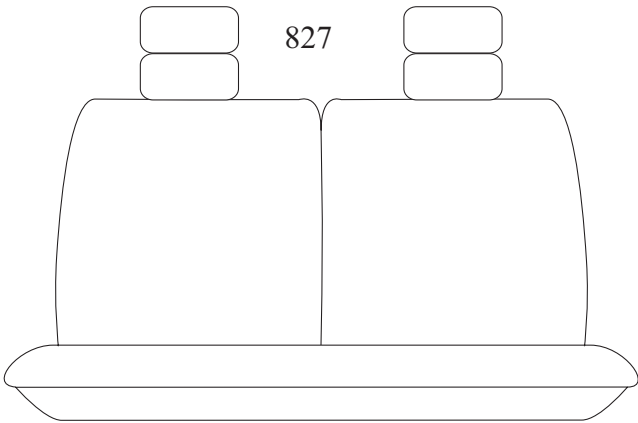
825



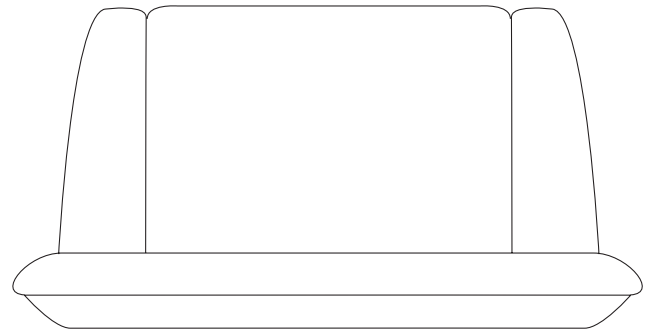
826



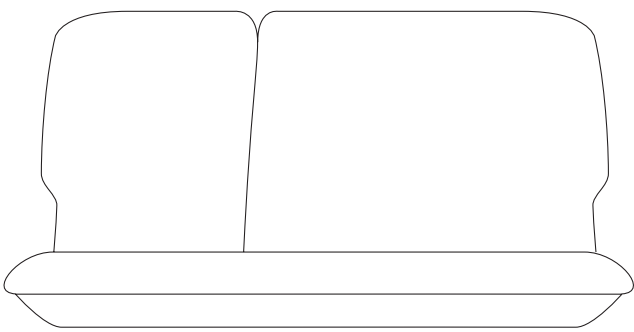
827



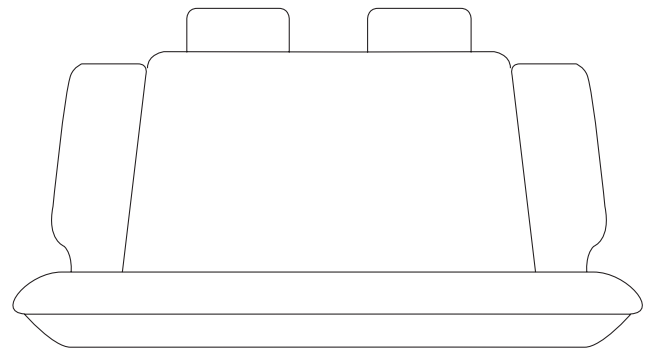
828



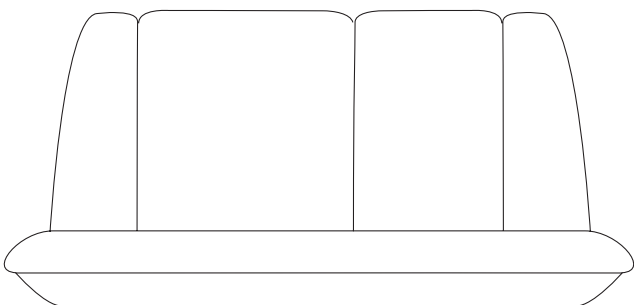
829



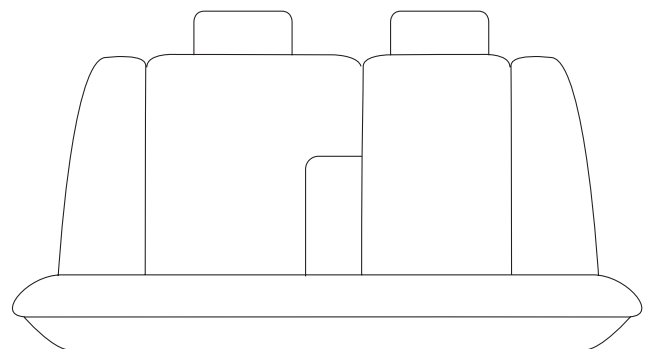
830



831

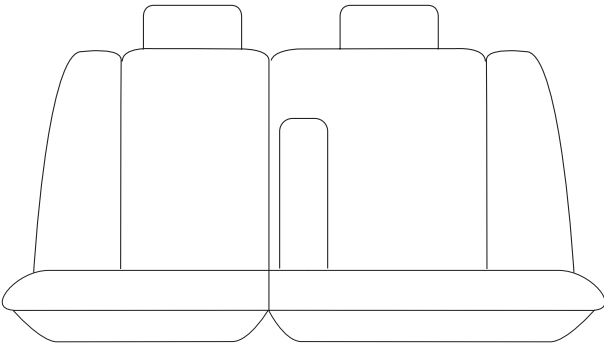


832

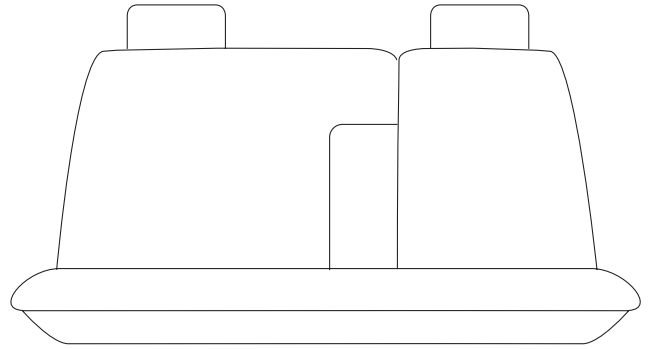


MIDDLE AND REAR SEATS

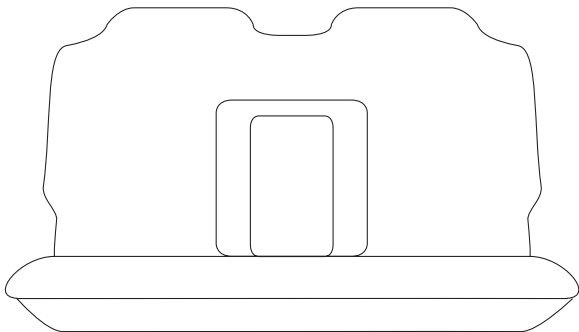
833



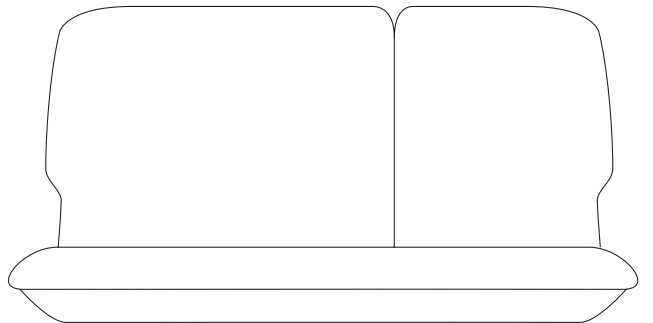
834



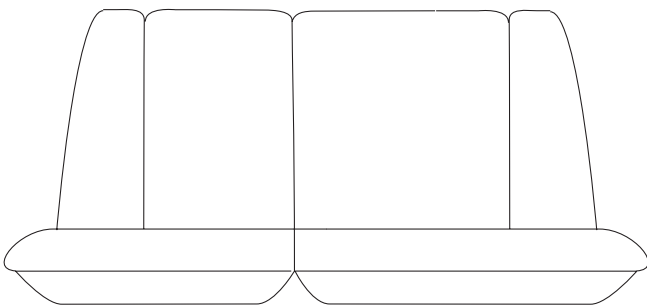
835



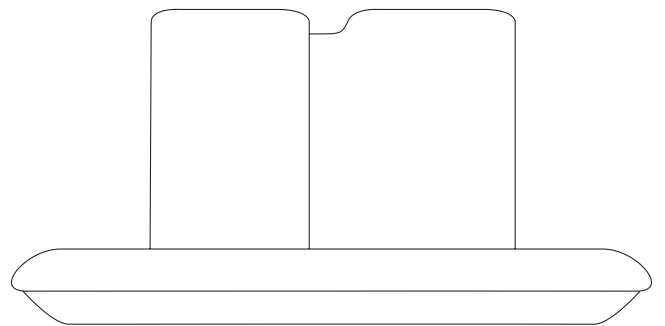
836



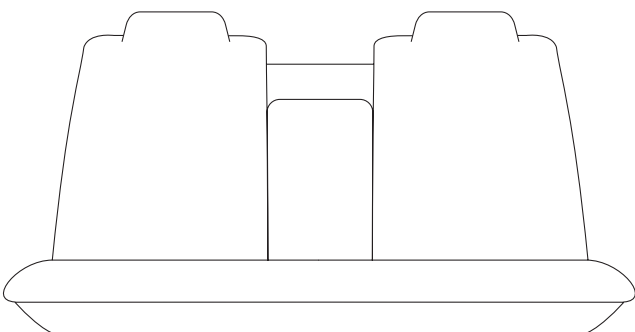
837



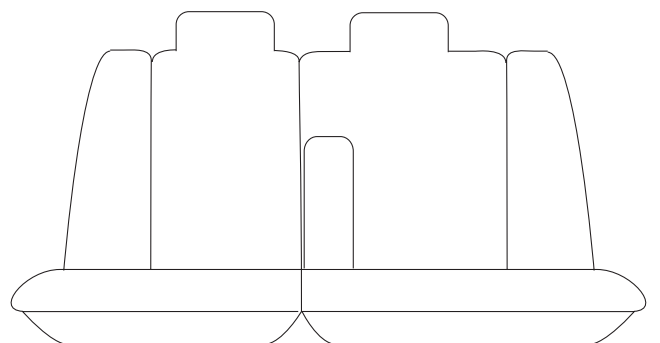
838



839

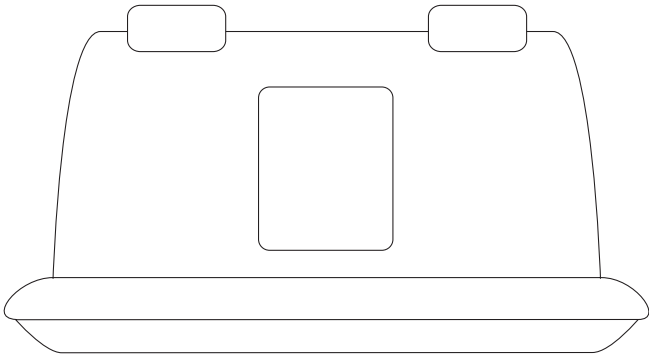


840

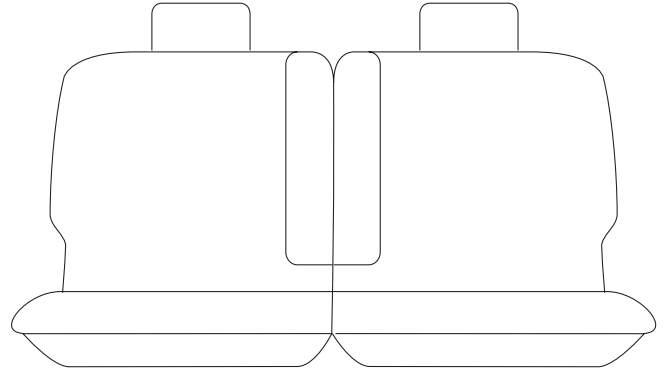


MIDDLE AND REAR SEATS

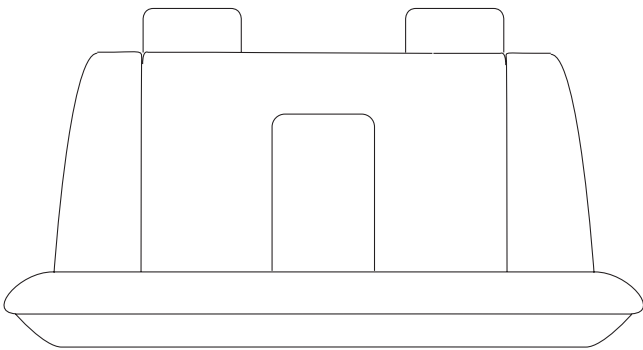
841



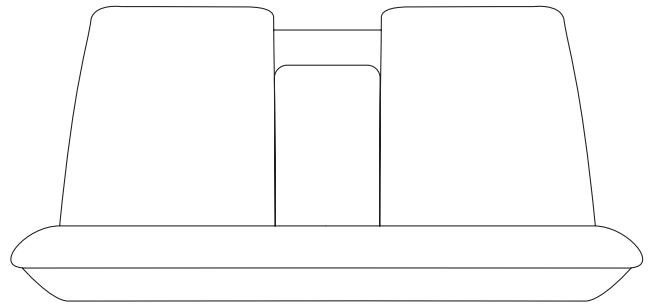
842



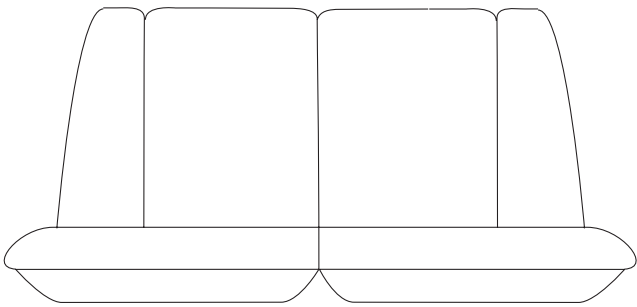
843



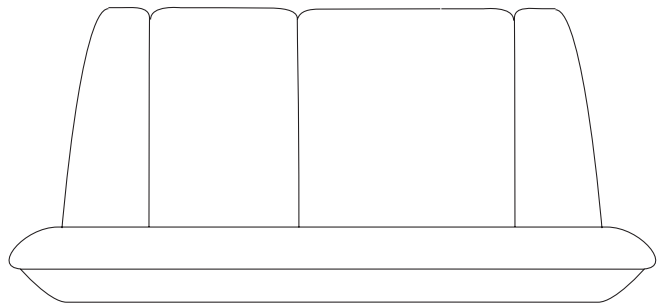
844



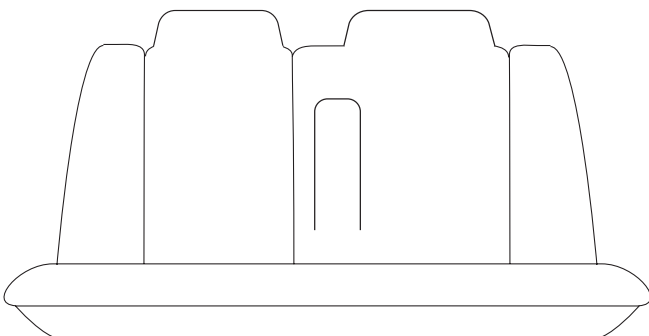
845



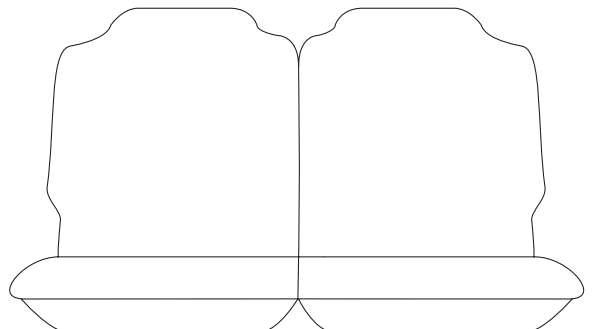
846



847

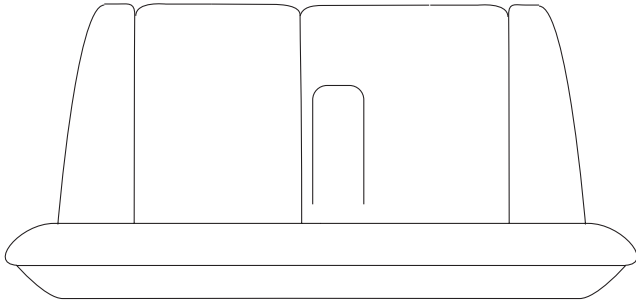
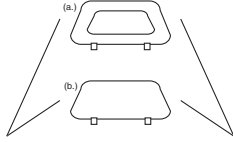


848

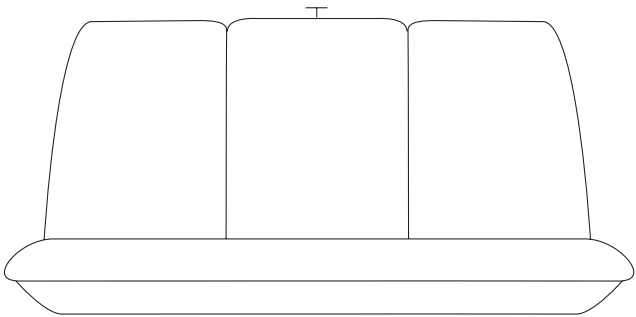


MIDDLE AND REAR SEATS

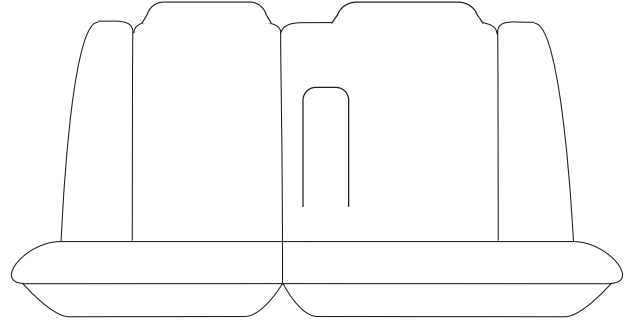
849



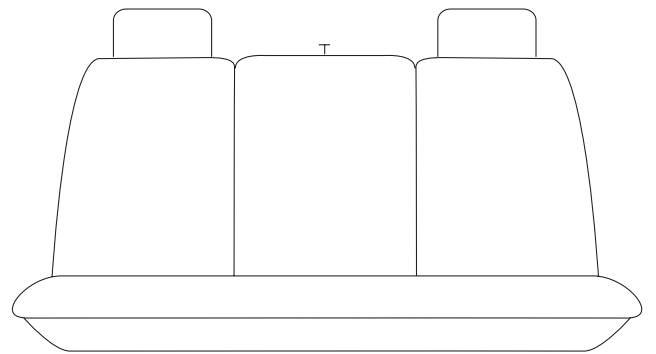
851



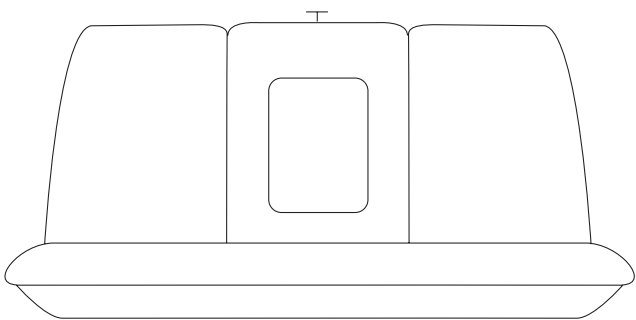
850



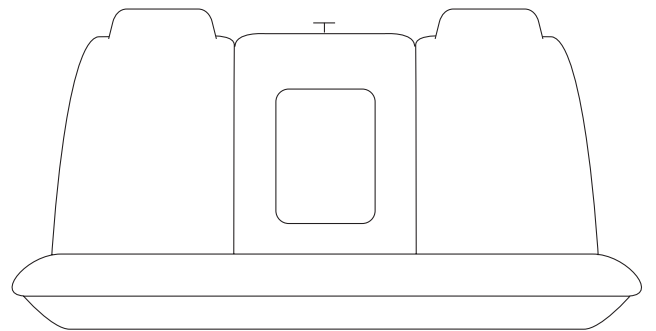
852



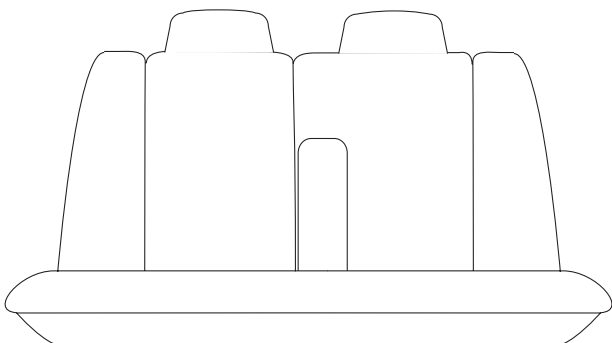
853



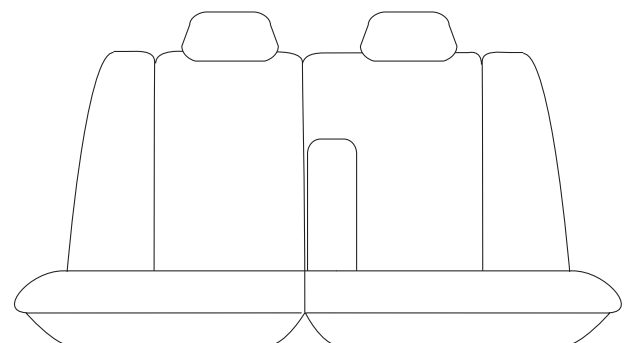
854



855

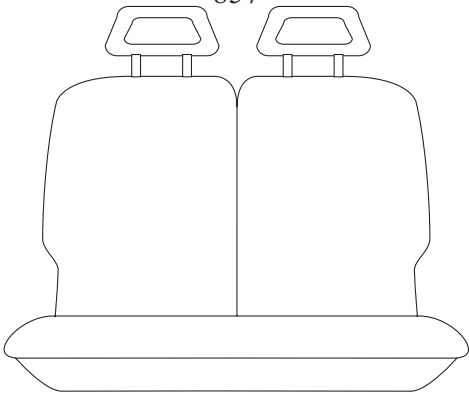


856

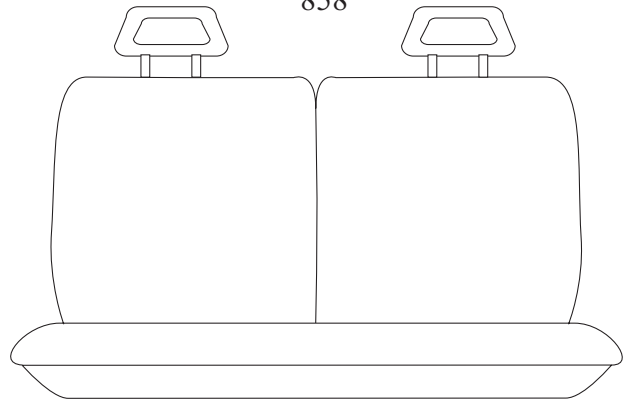


MIDDLE AND REAR SEATS

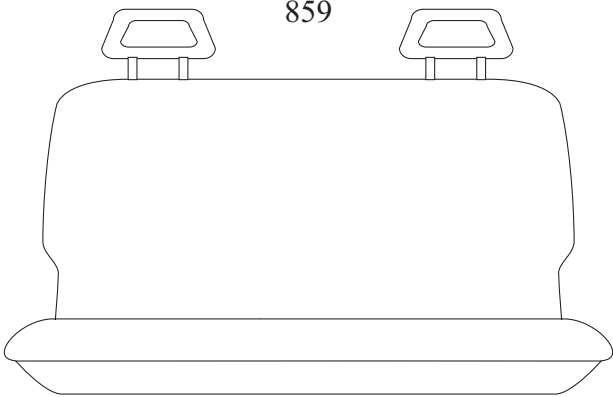
857



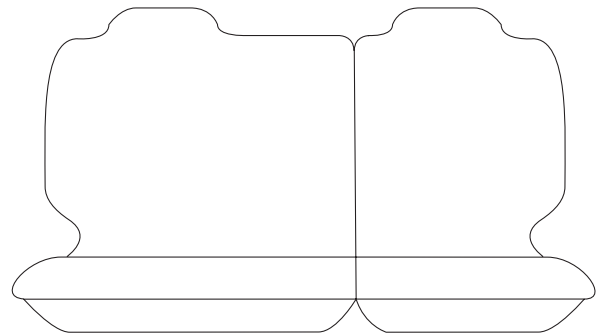
858



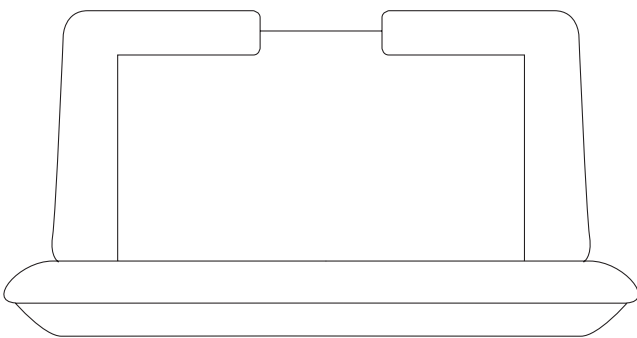
859



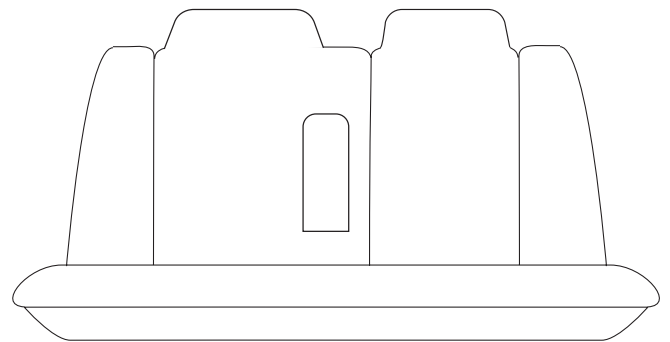
860



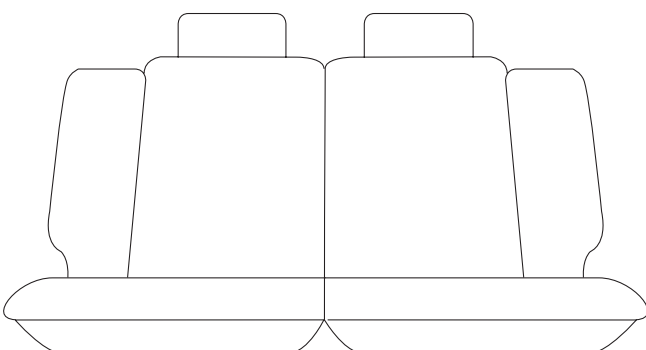
861



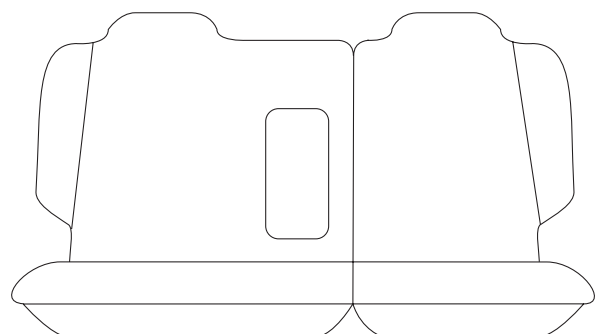
862



863

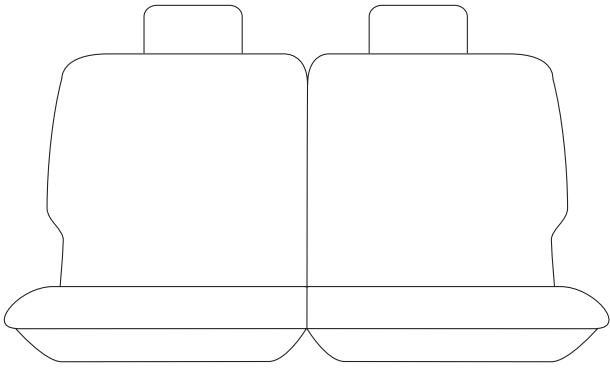


864

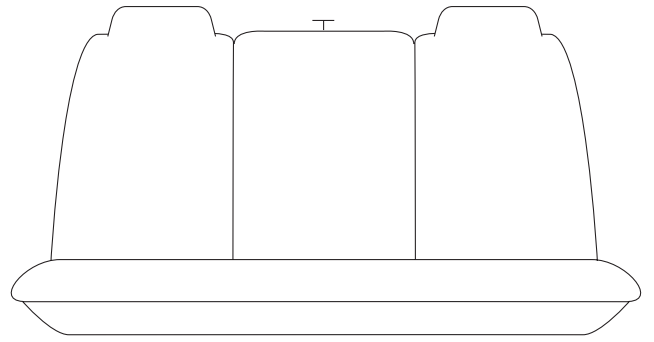


MIDDLE AND REAR SEATS

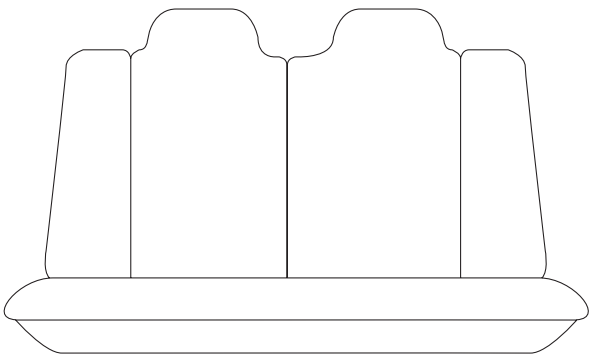
865



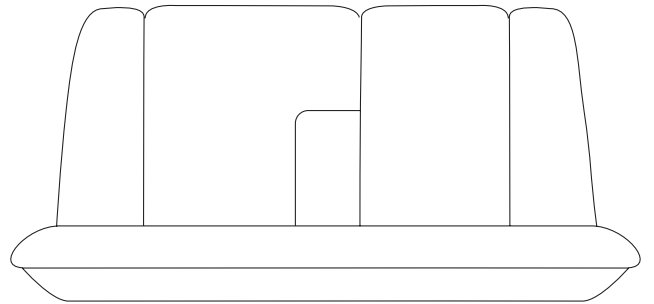
866



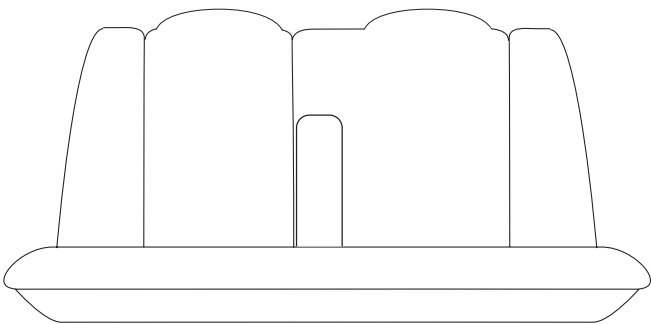
867



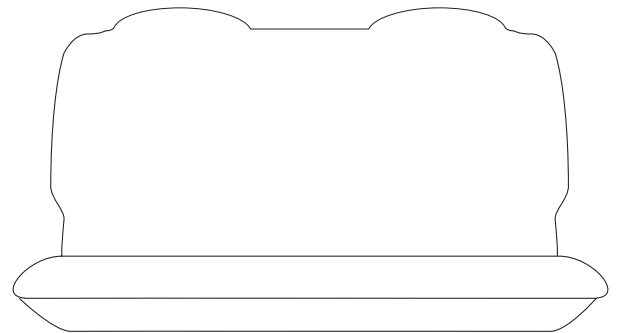
868



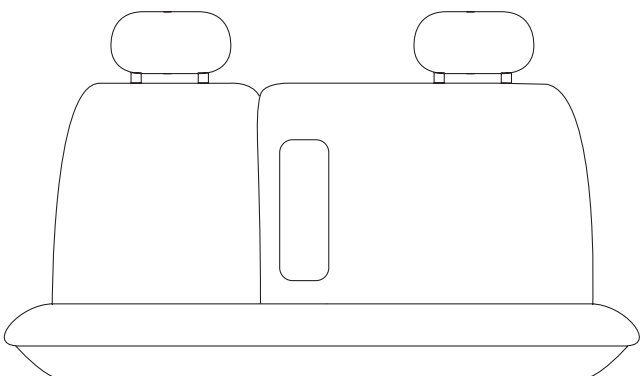
869



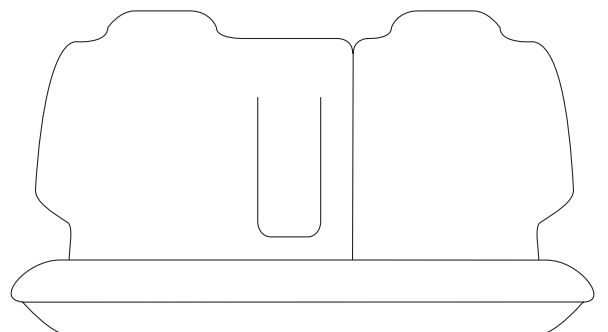
870



871

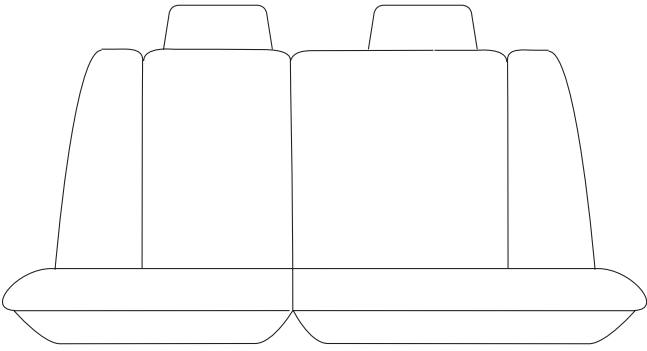


872

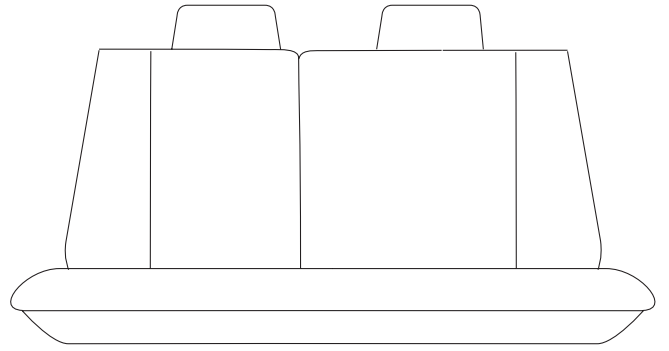


MIDDLE AND REAR SEATS

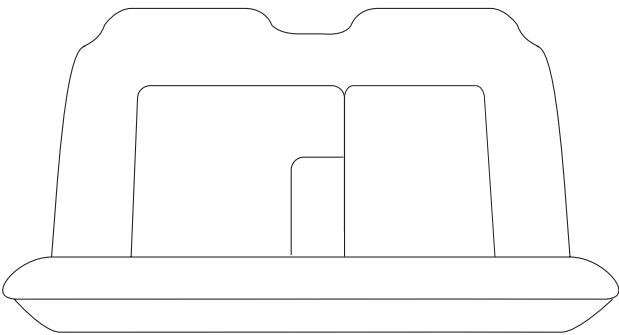
873



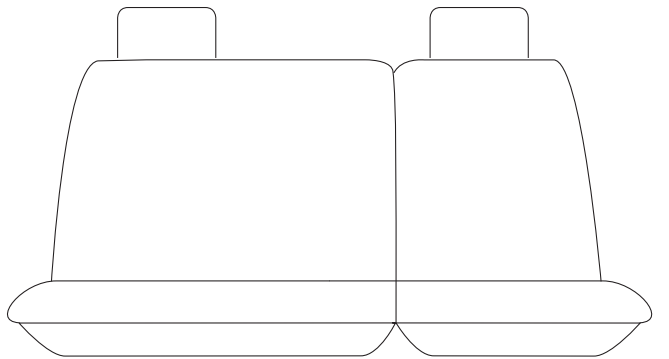
874



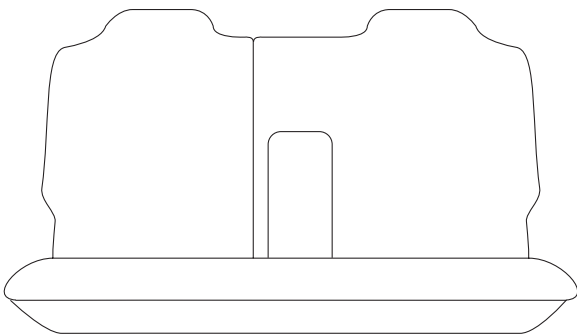
875



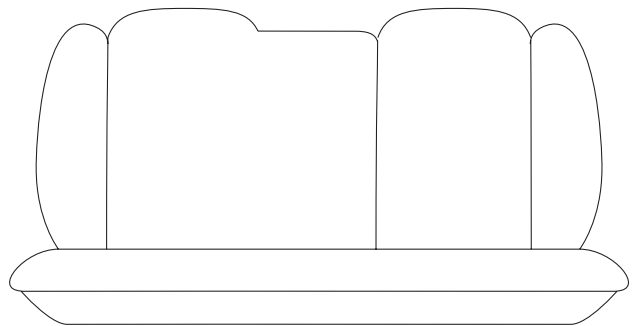
876



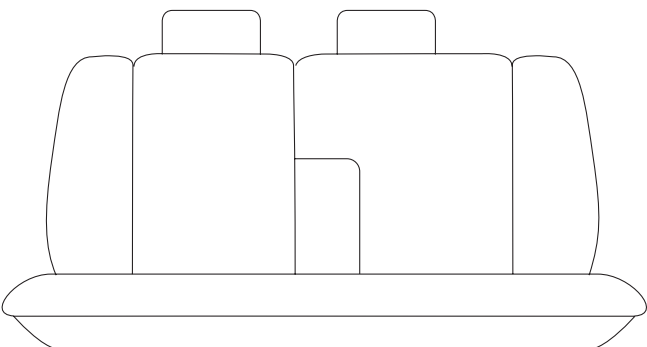
877



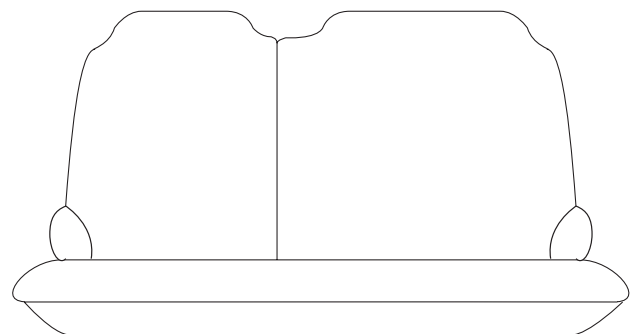
878



879

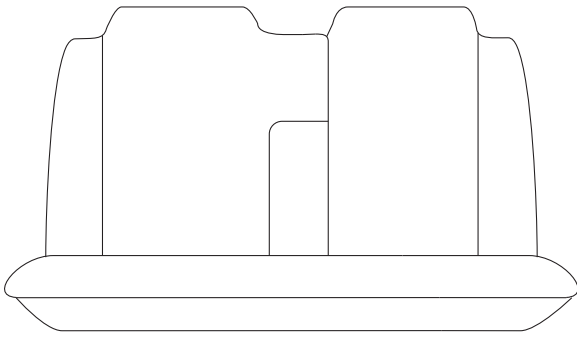


880

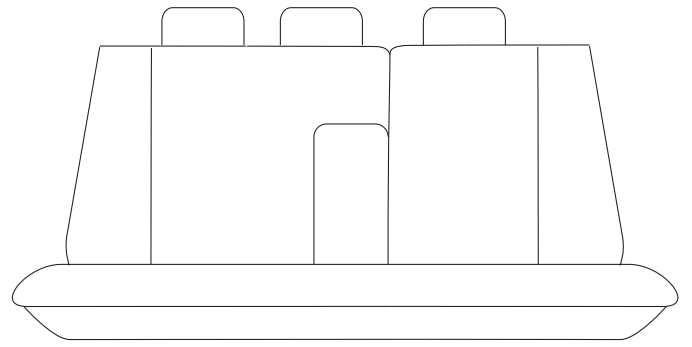


MIDDLE AND REAR SEATS

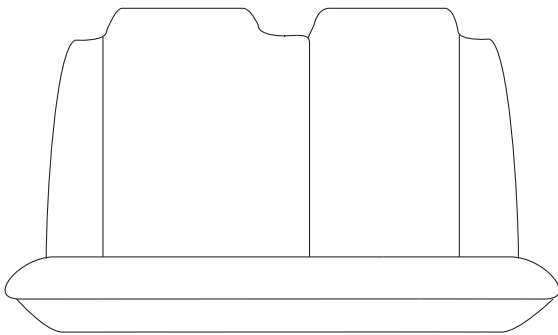
881



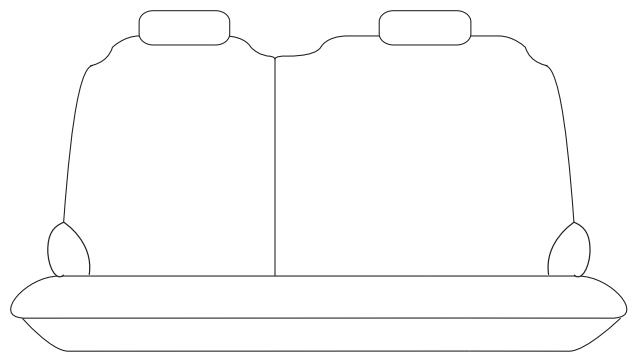
882



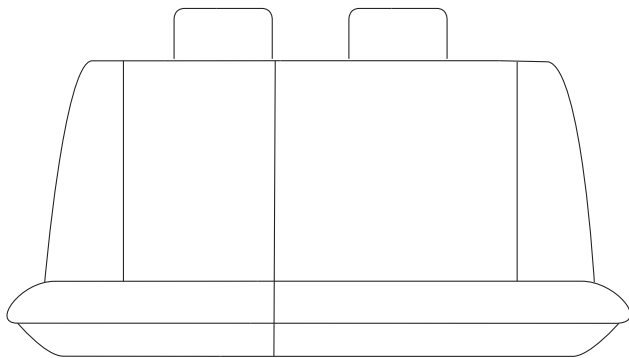
883



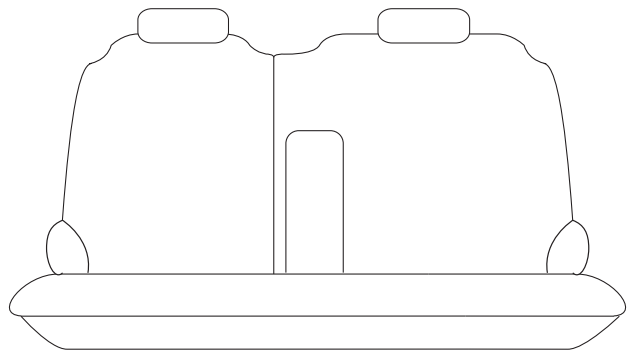
884



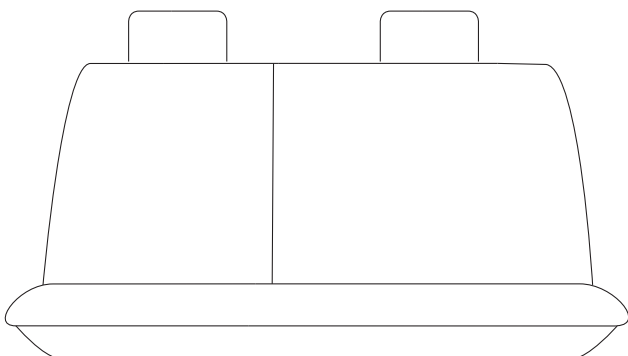
885



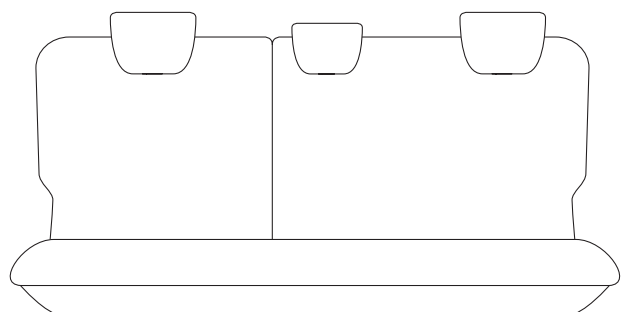
886



887

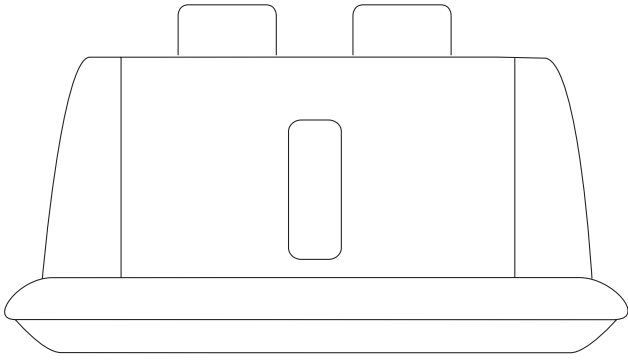


888

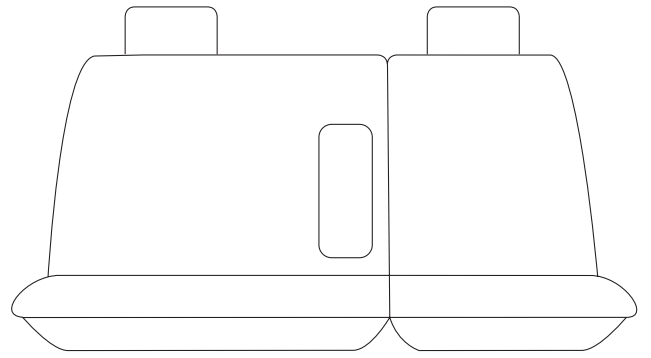


MIDDLE AND REAR SEATS

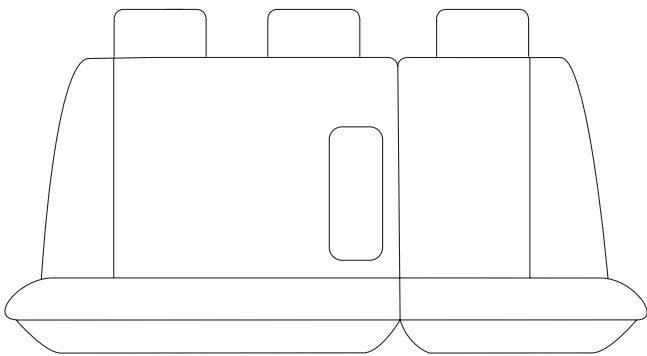
889



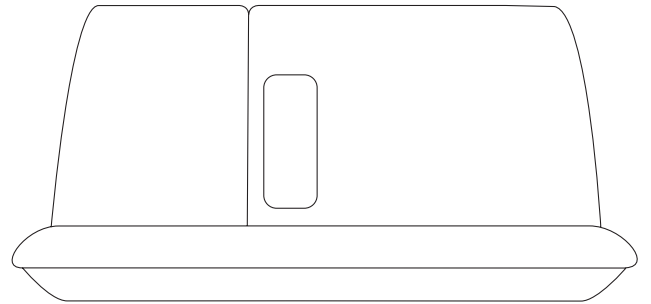
890



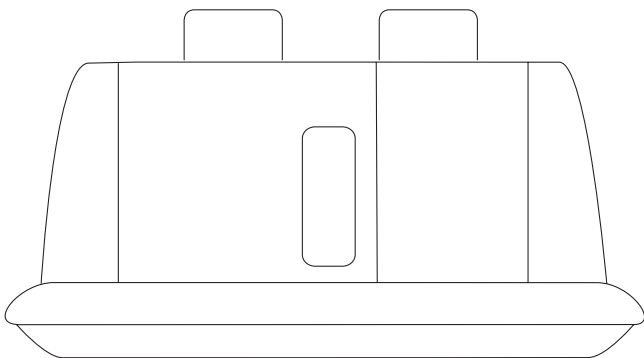
891



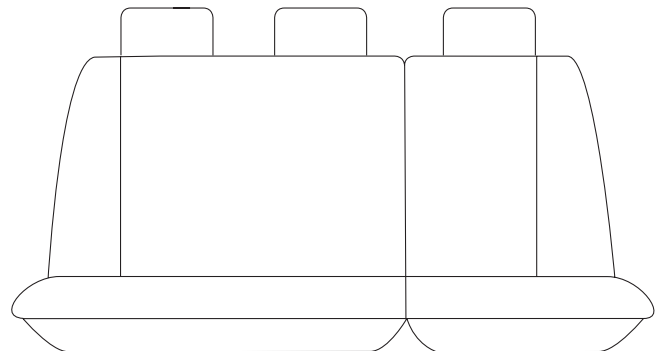
892



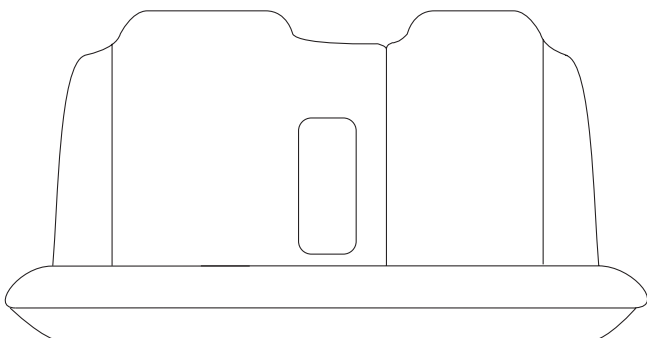
893



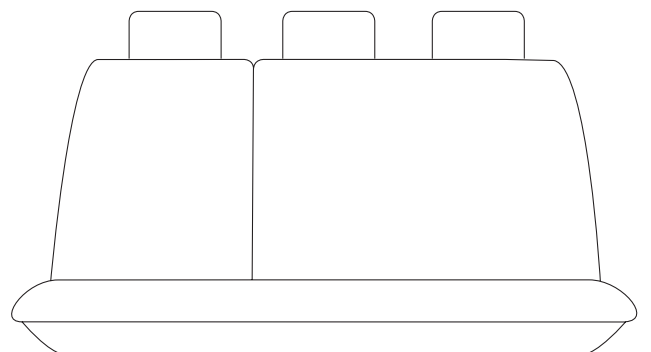
894



895

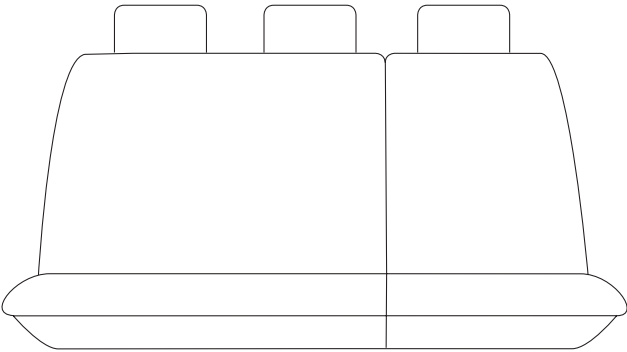


896

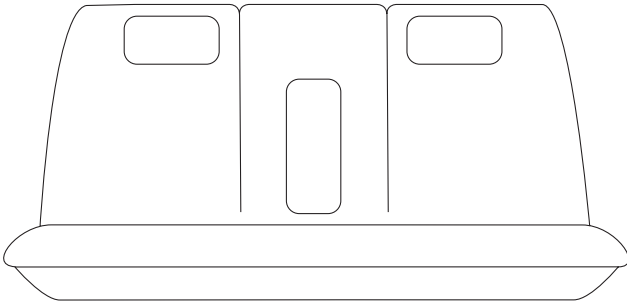


MIDDLE AND REAR SEATS

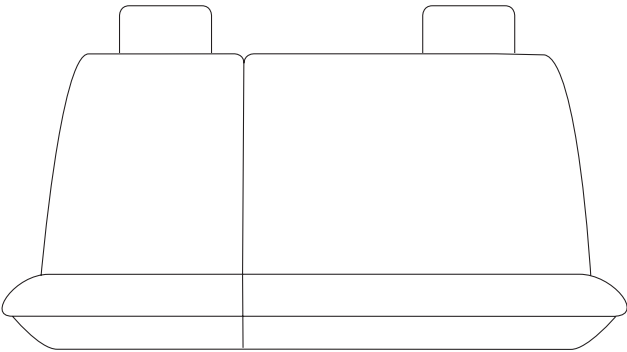
897



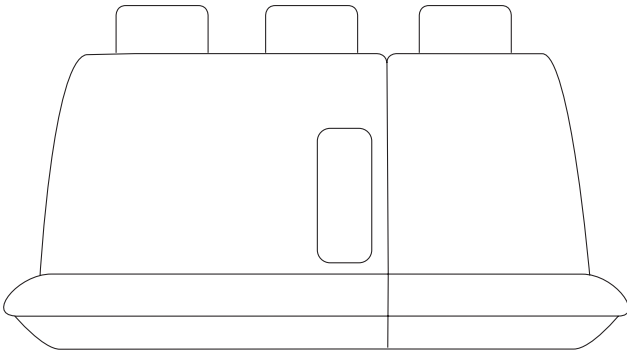
898



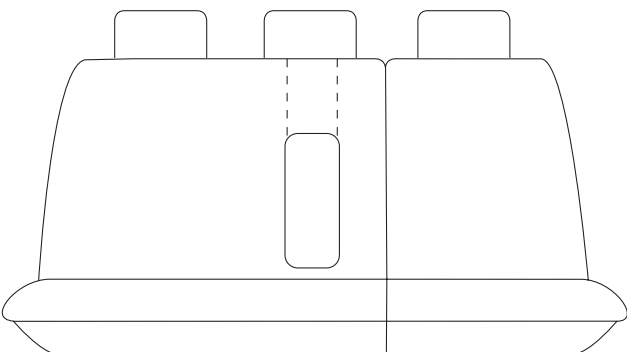
899



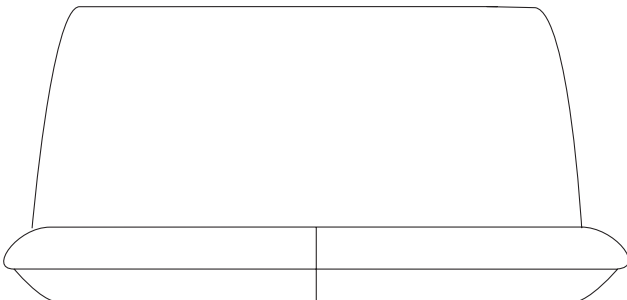
900



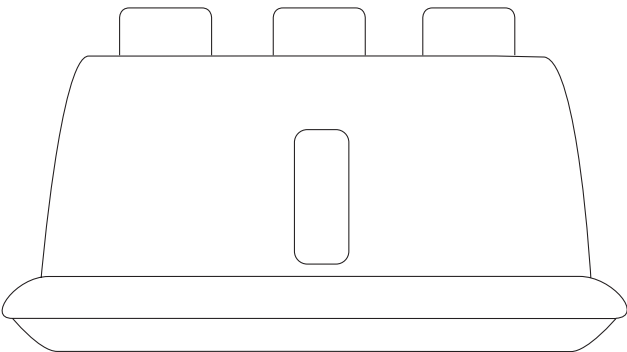
901



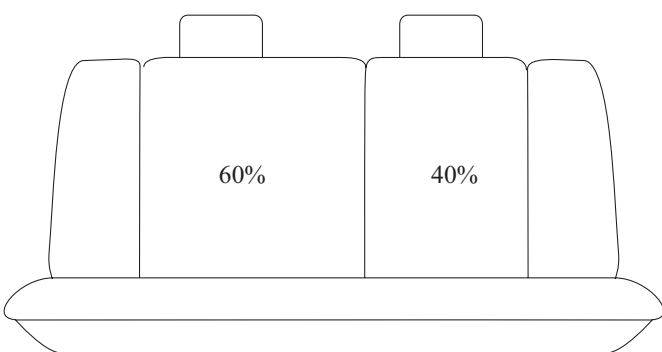
902



903

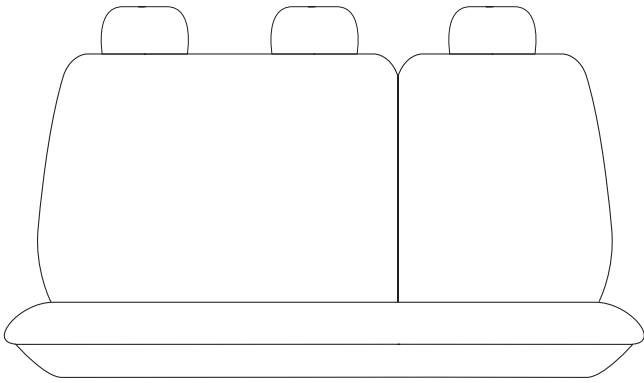


904

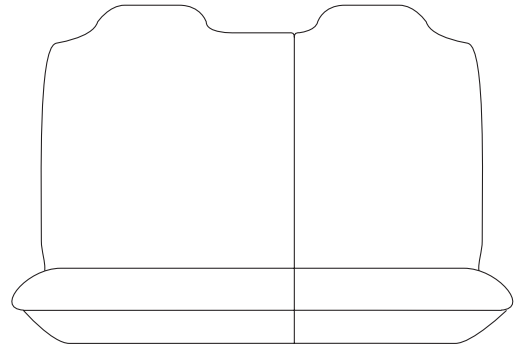


MIDDLE AND REAR SEATS

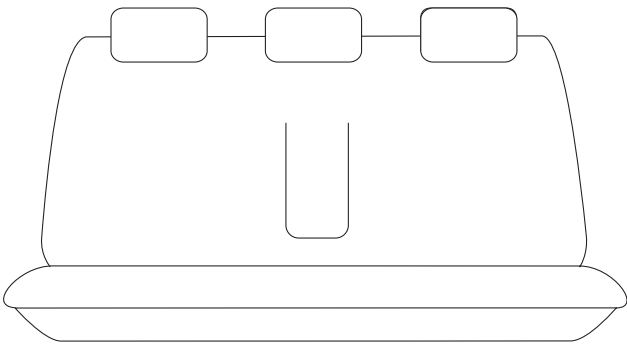
905



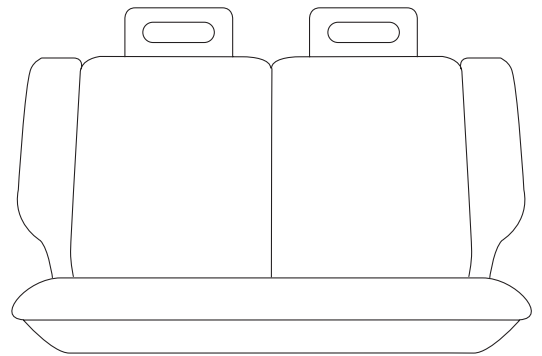
906



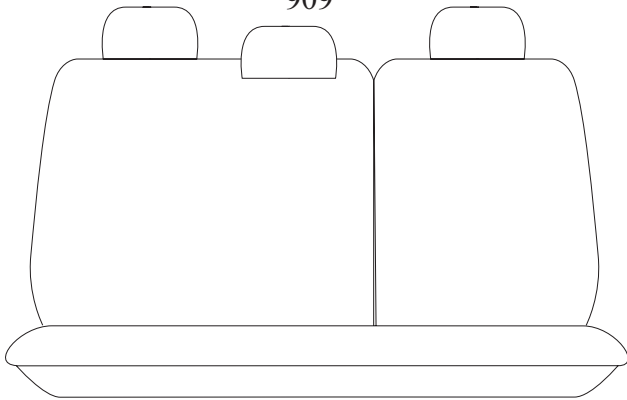
907



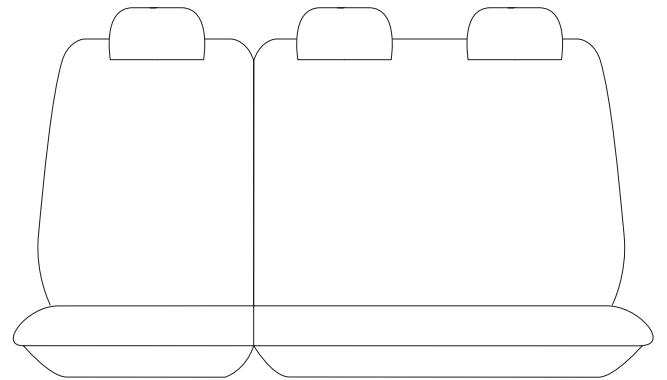
908



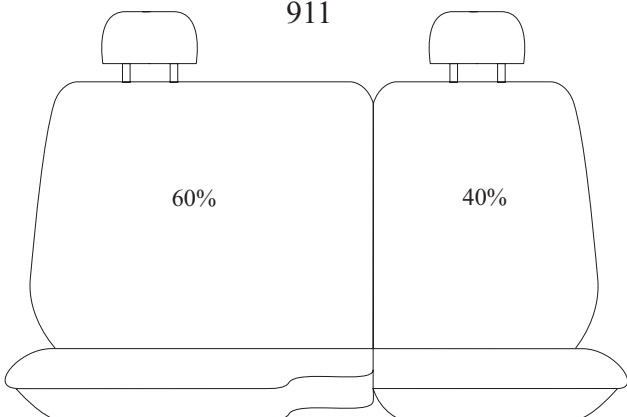
909



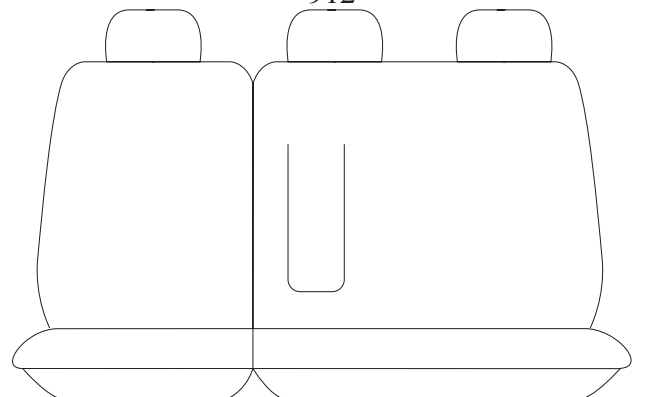
910



911

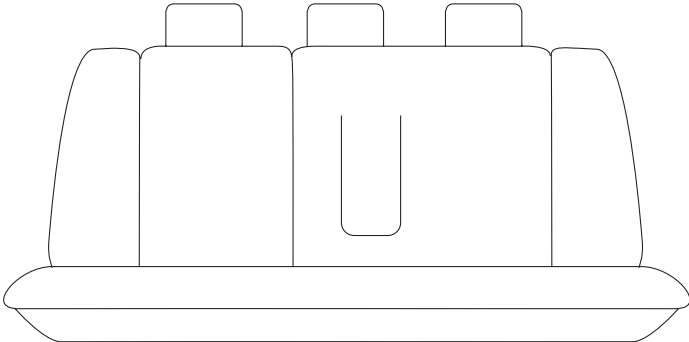


912

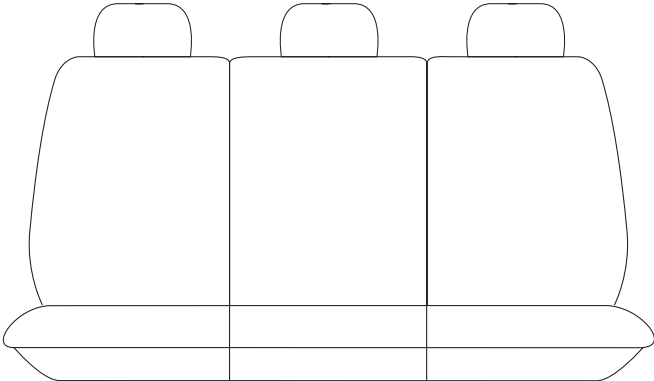


MIDDLE AND REAR SEATS

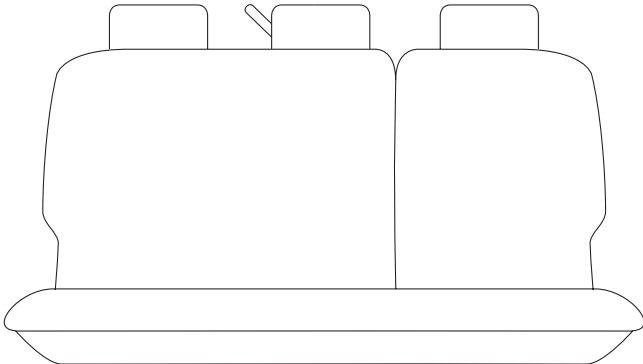
913



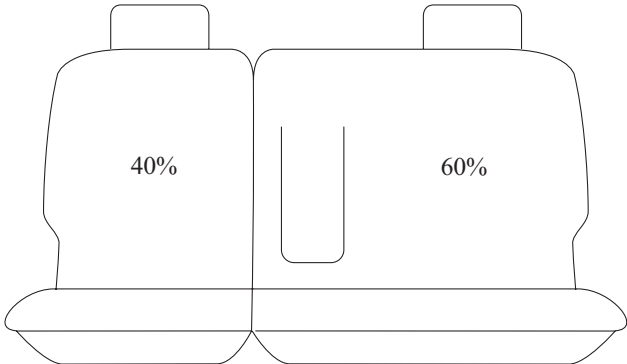
914



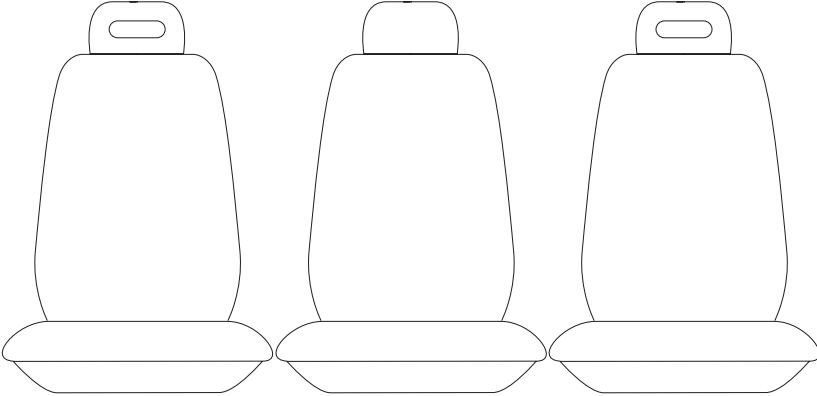
915



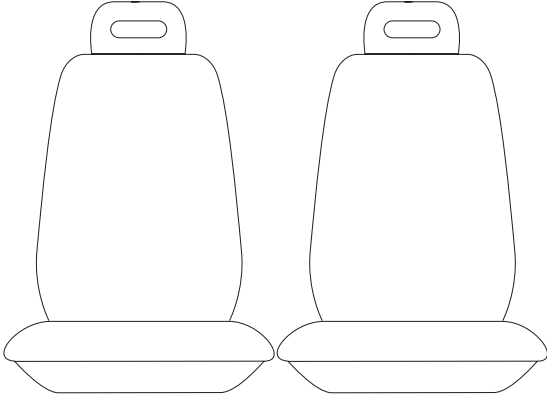
916



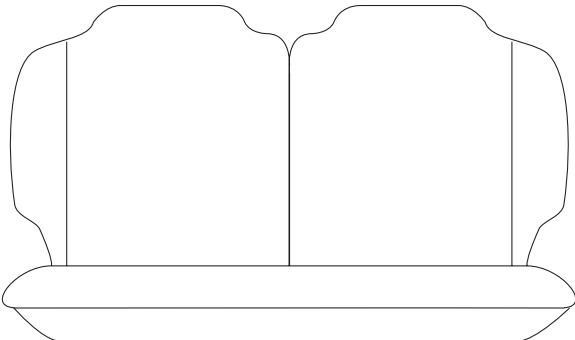
917



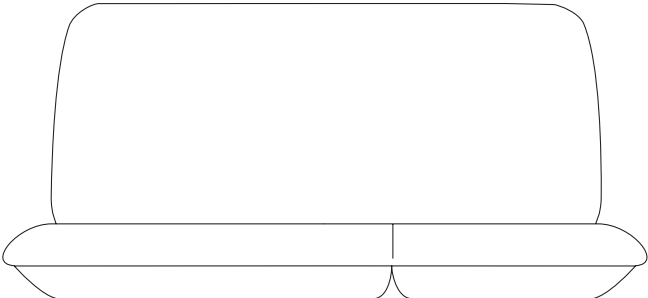
918



919

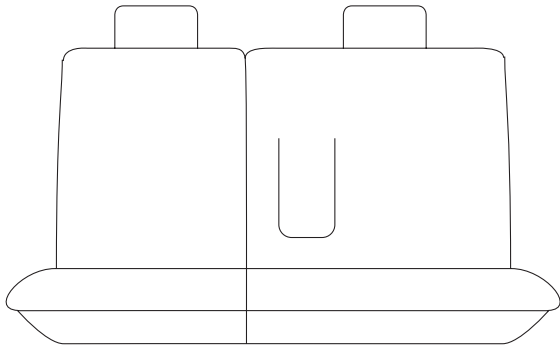


920

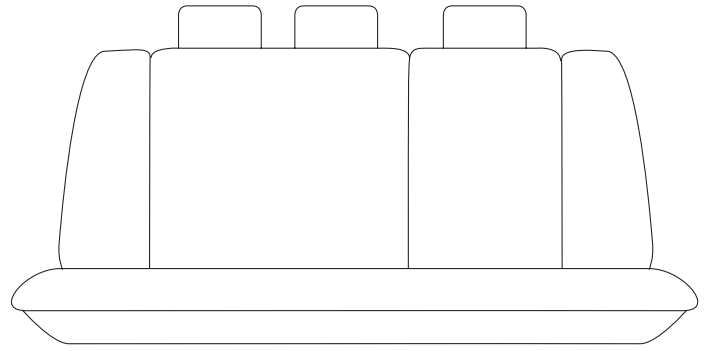


MIDDLE AND REAR SEATS

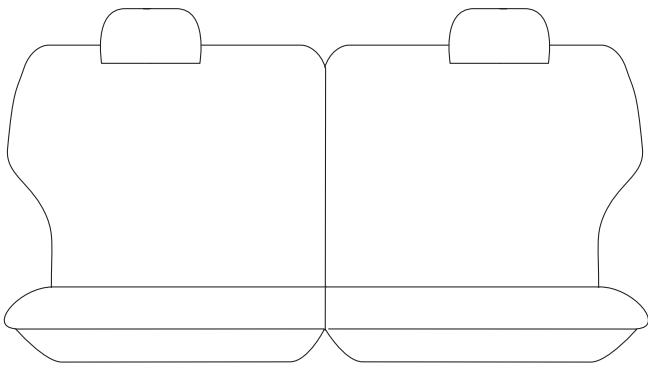
921



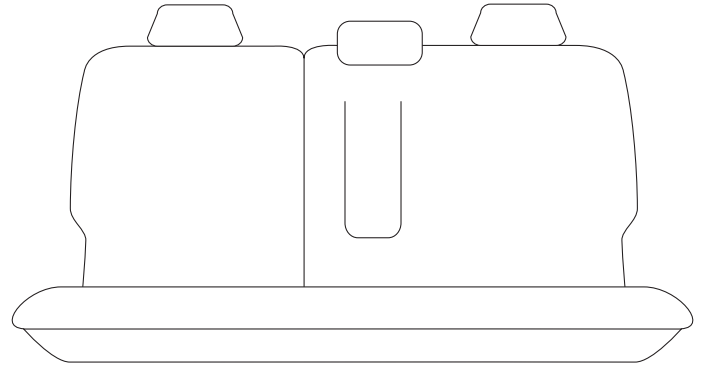
922



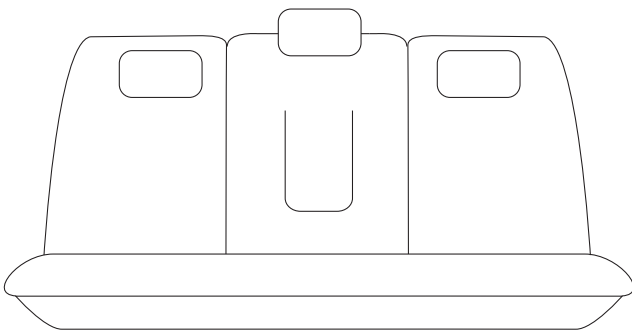
923



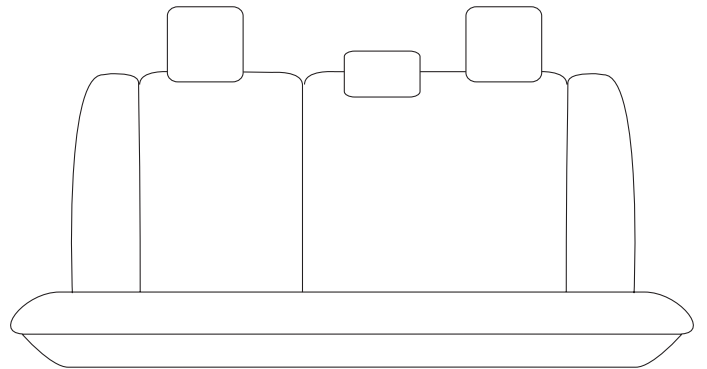
924



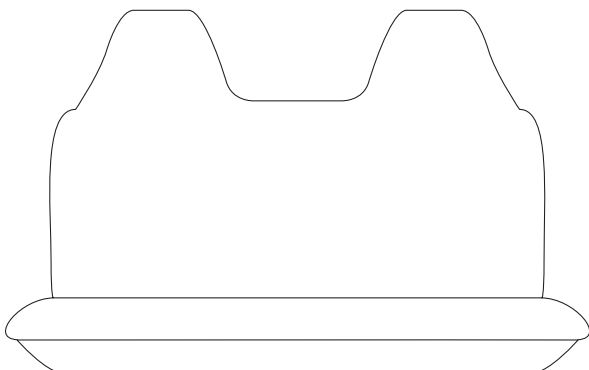
925



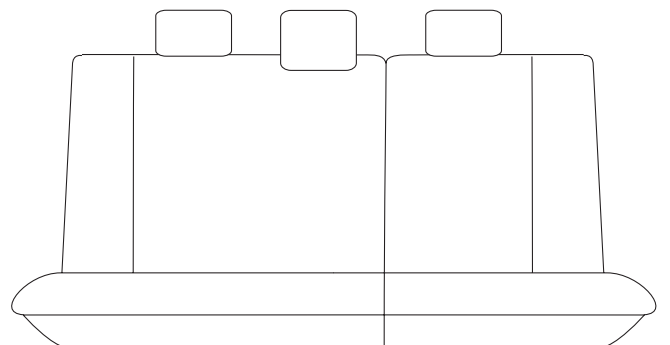
926



927

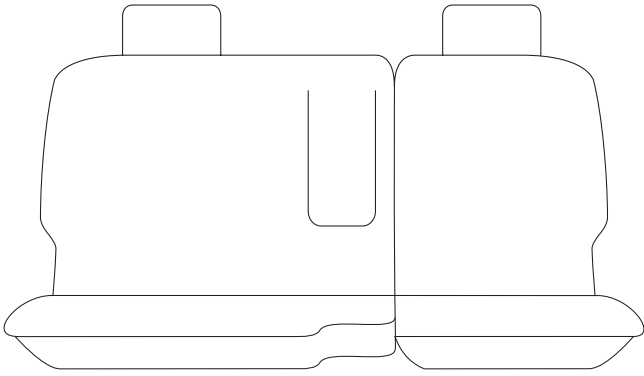


928

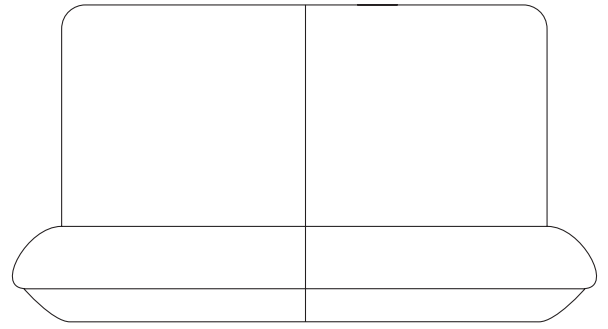


MIDDLE AND REAR SEATS

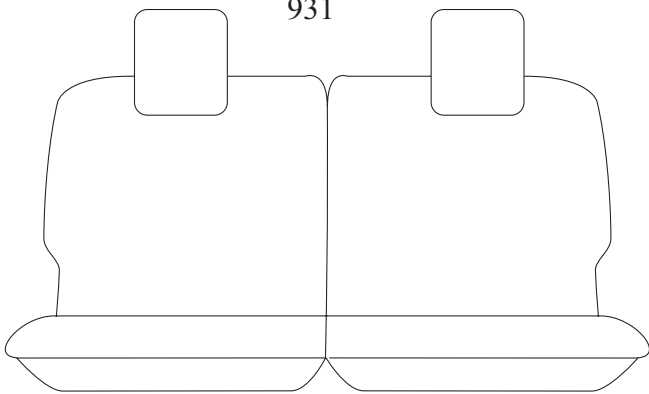
929



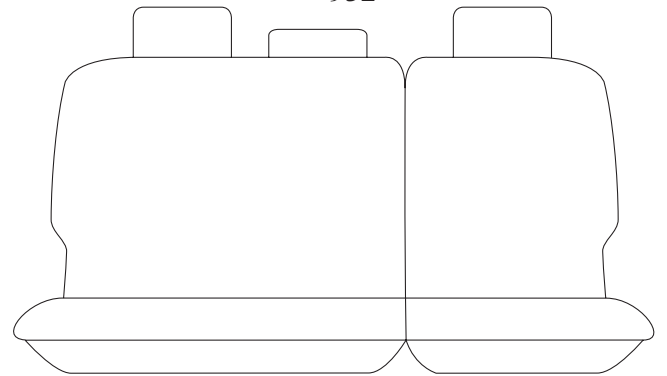
930



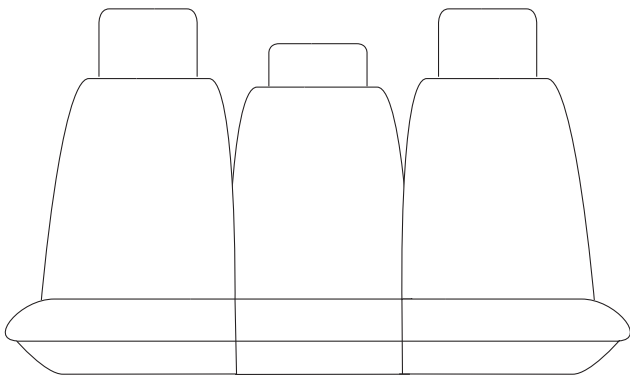
931



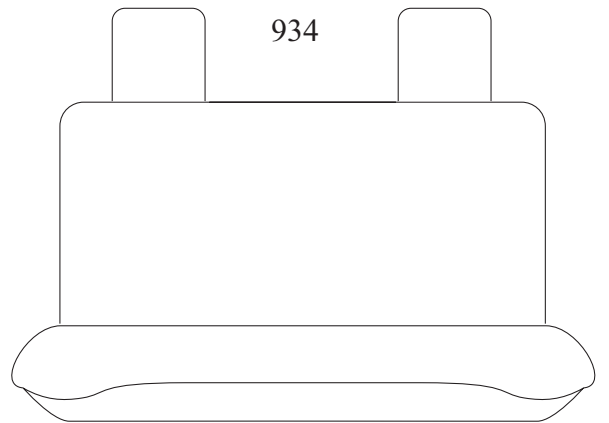
932



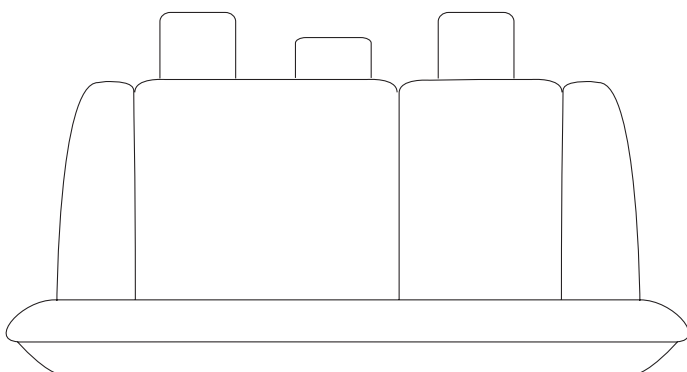
933



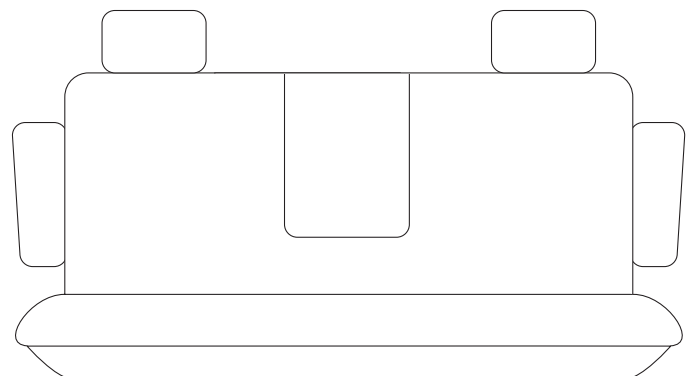
934



935

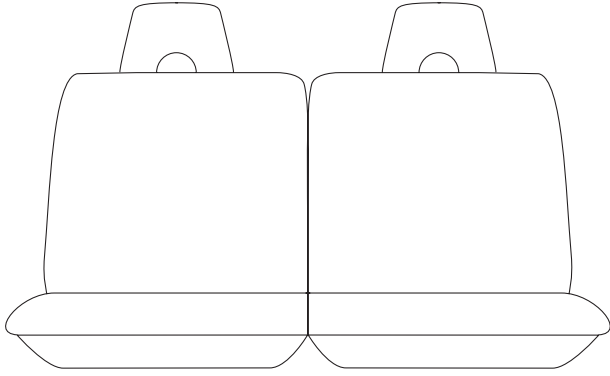


936

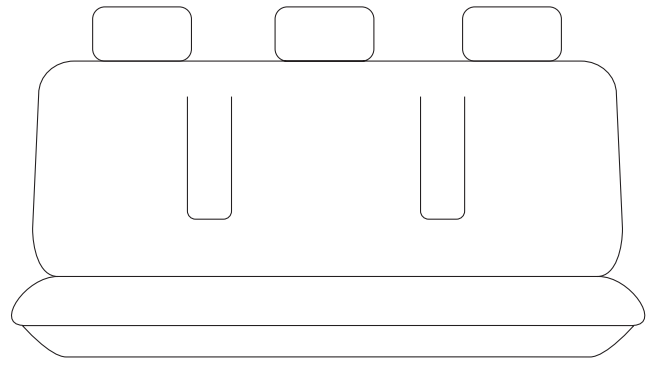


MIDDLE AND REAR SEATS

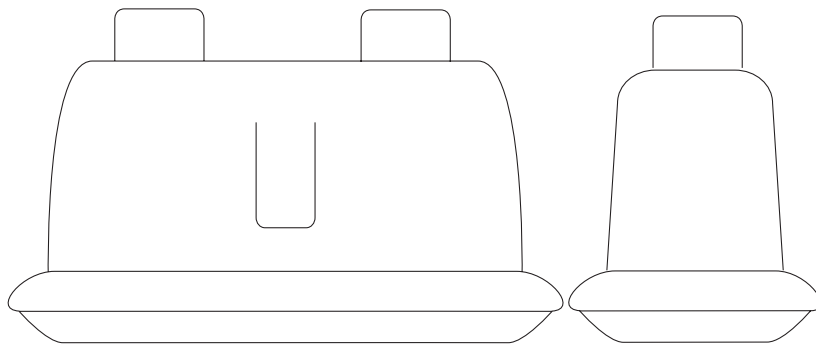
937



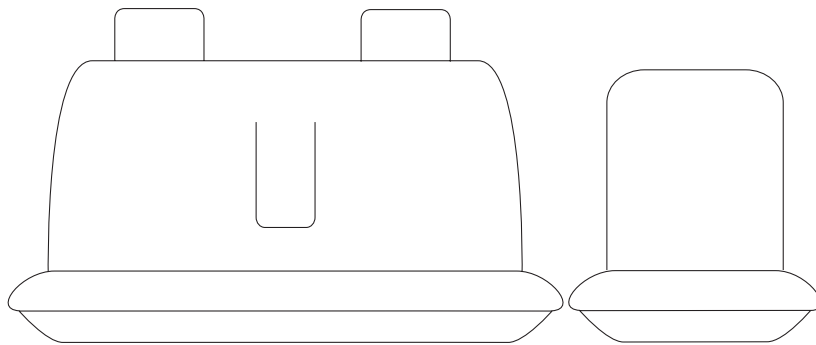
938



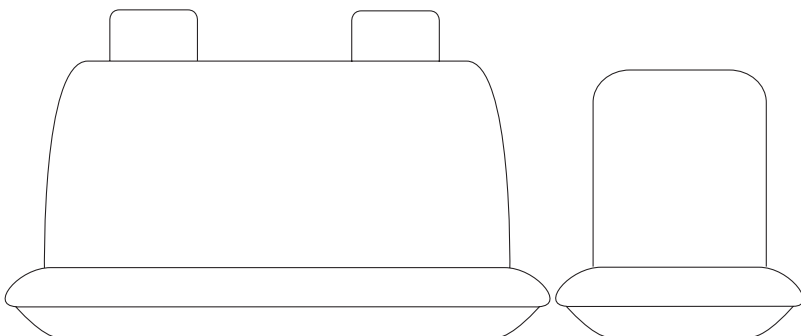
939



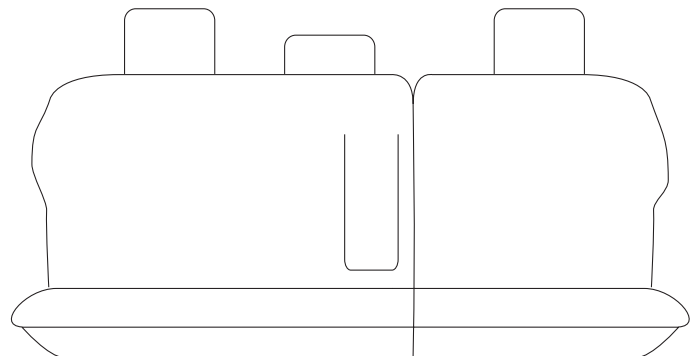
940



941

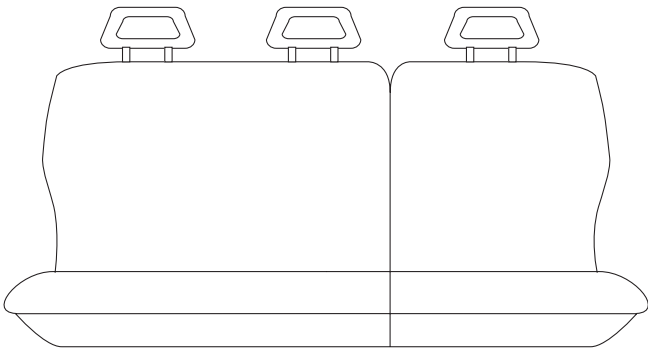


942

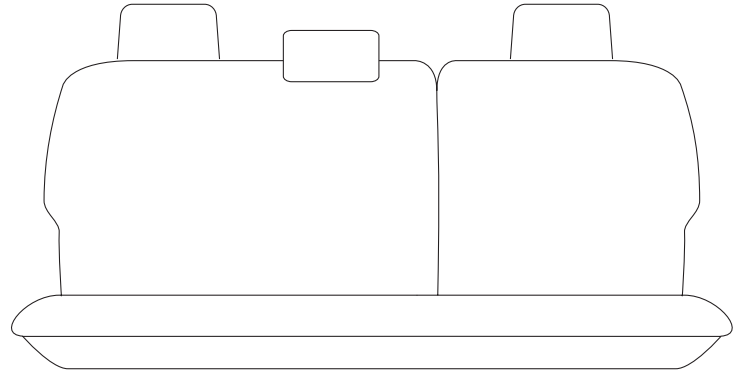


MIDDLE AND REAR SEATS

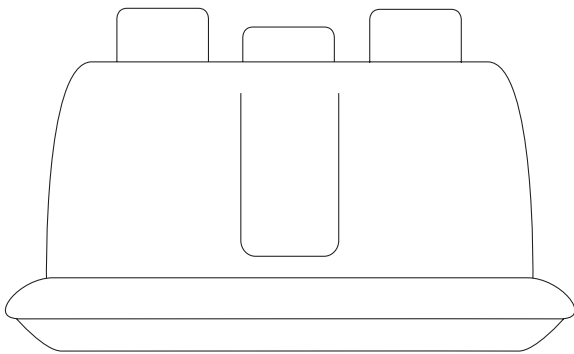
943



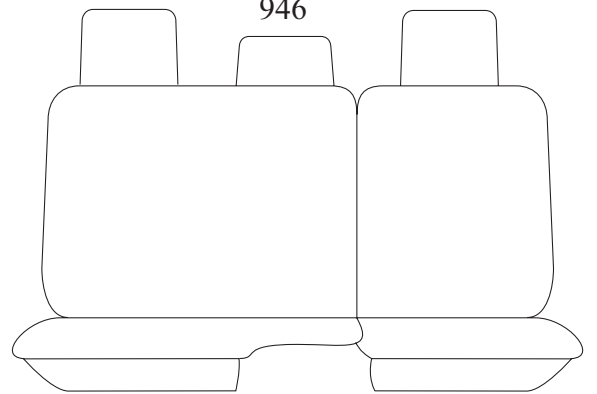
944



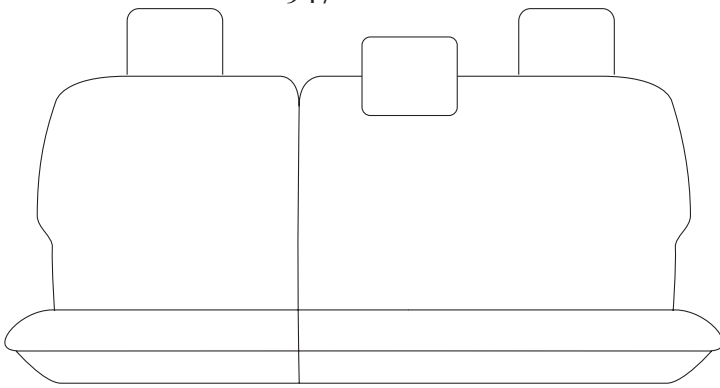
945



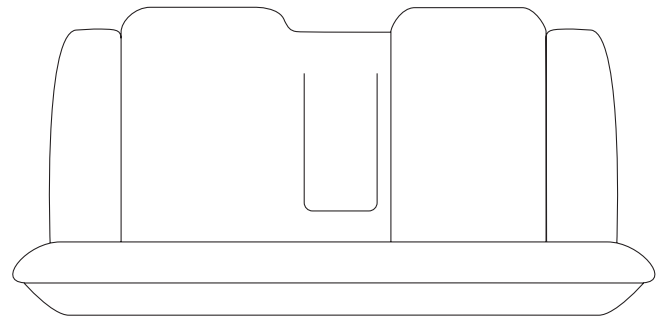
946



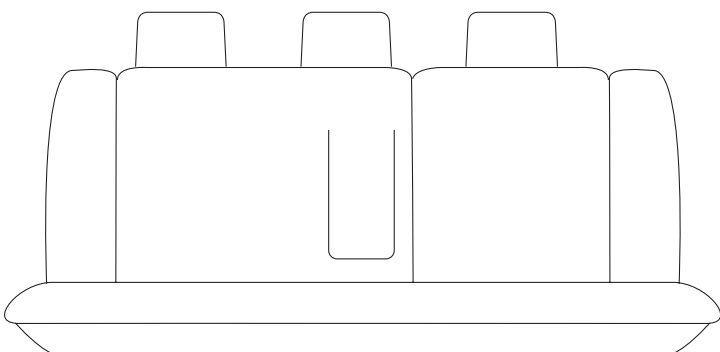
947



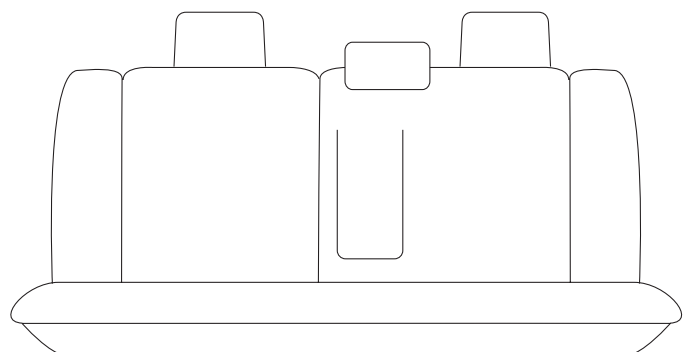
948



949

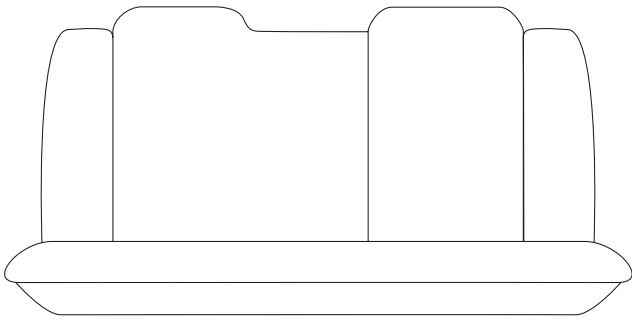


950

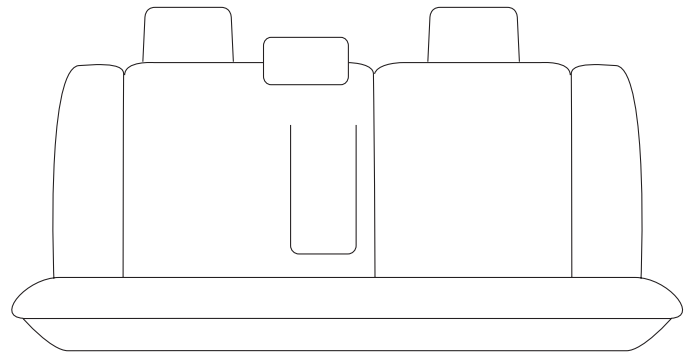


MIDDLE AND REAR SEATS

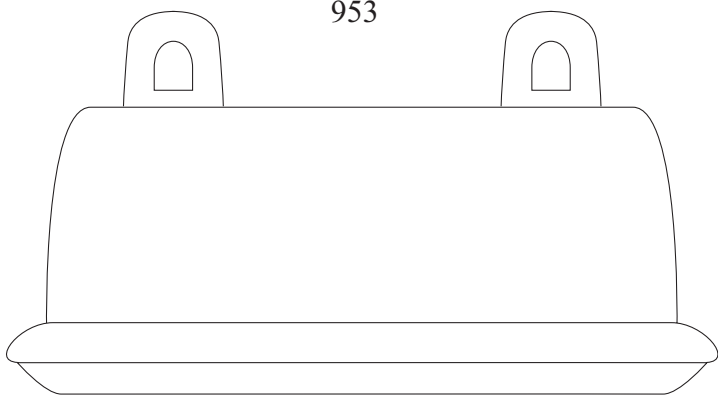
951



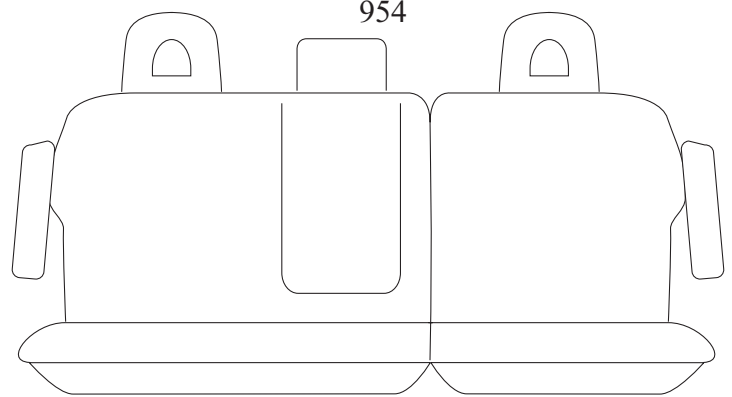
952



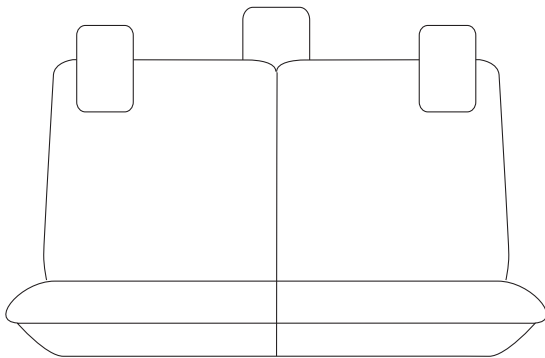
953



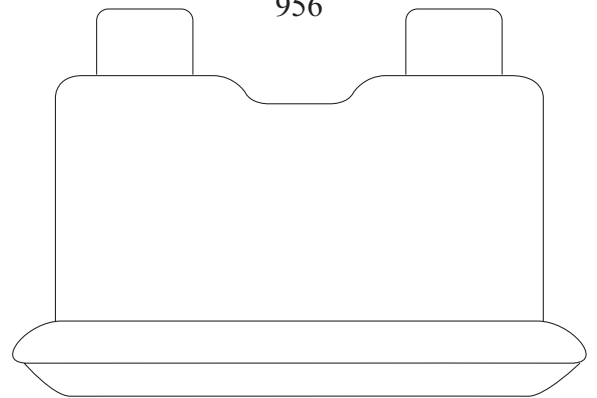
954



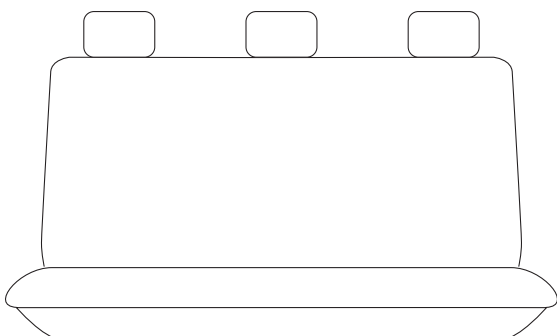
955



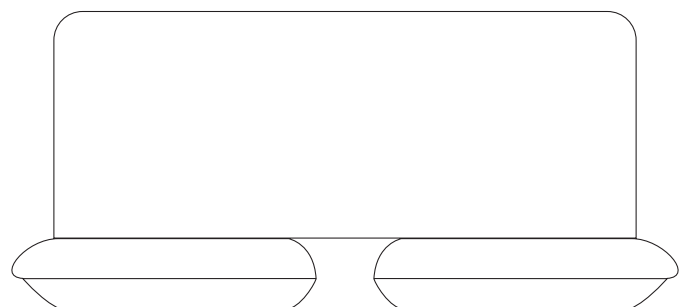
956



957

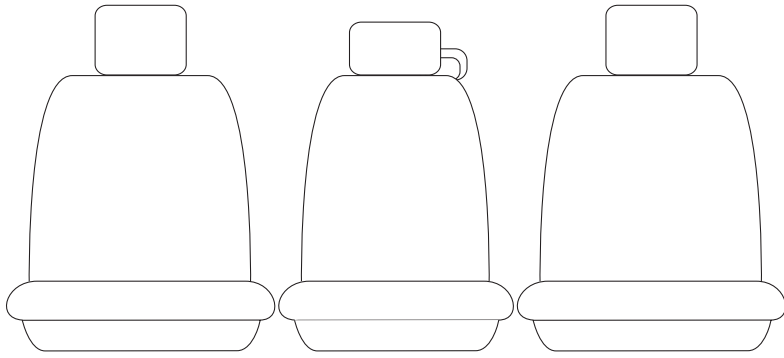


958

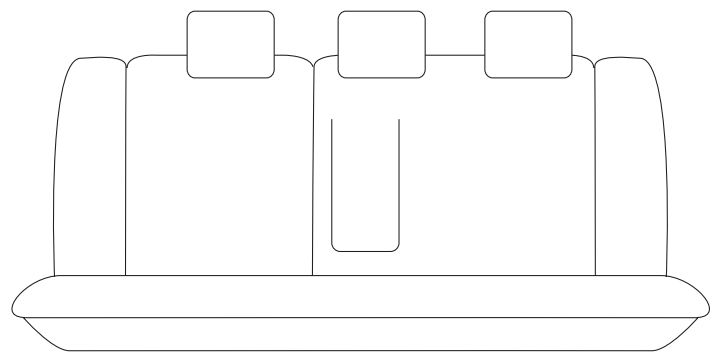


MIDDLE AND REAR SEATS

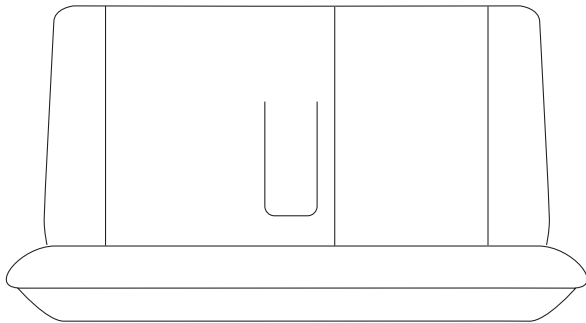
959



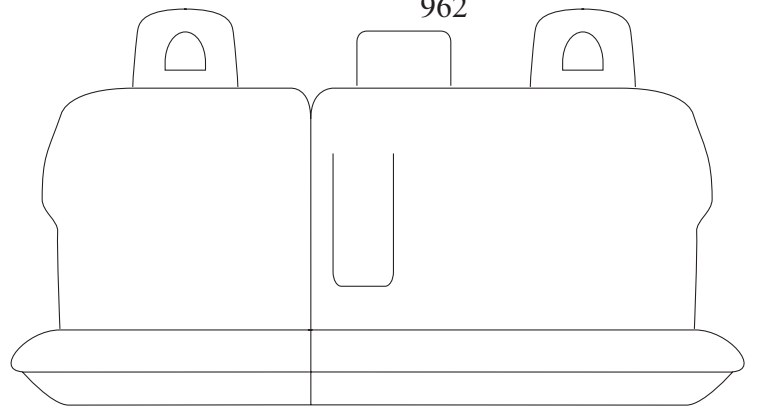
960



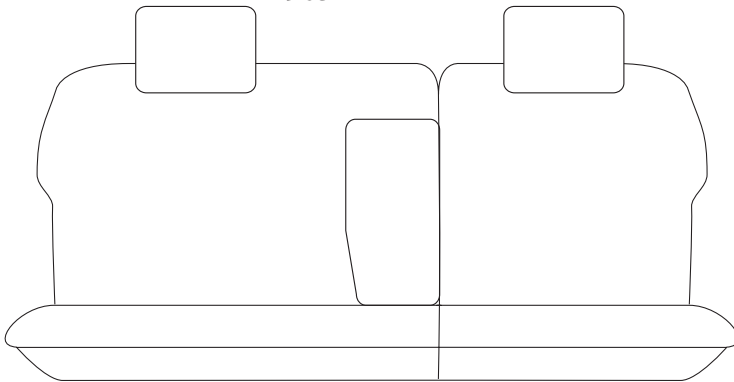
961



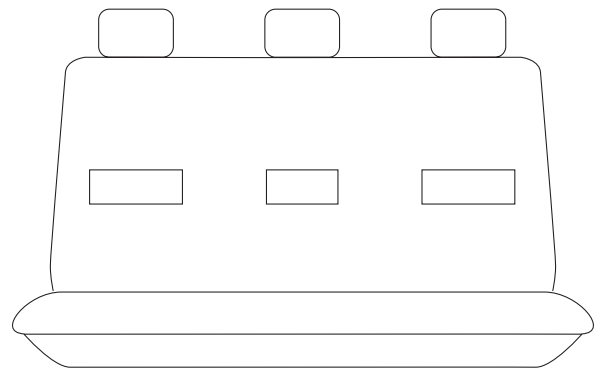
962



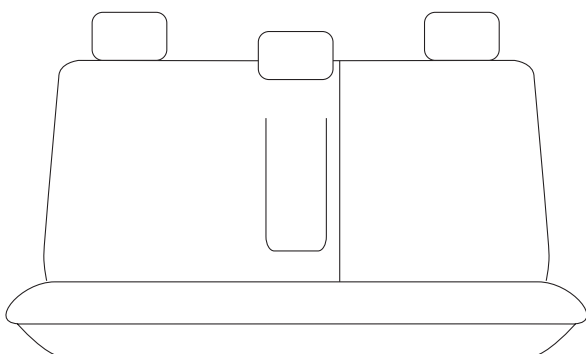
963



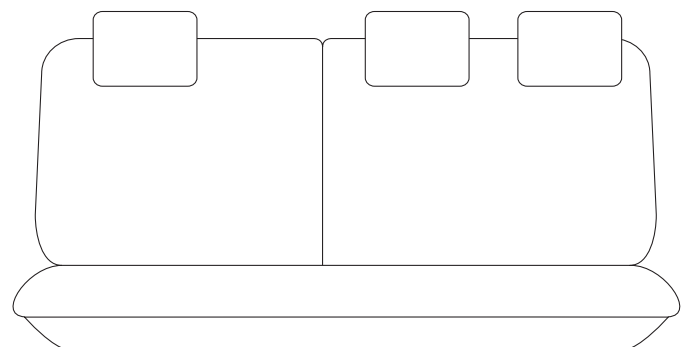
964



965

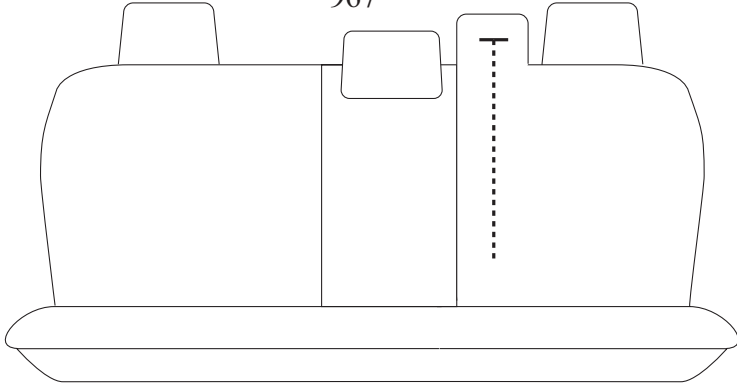


966

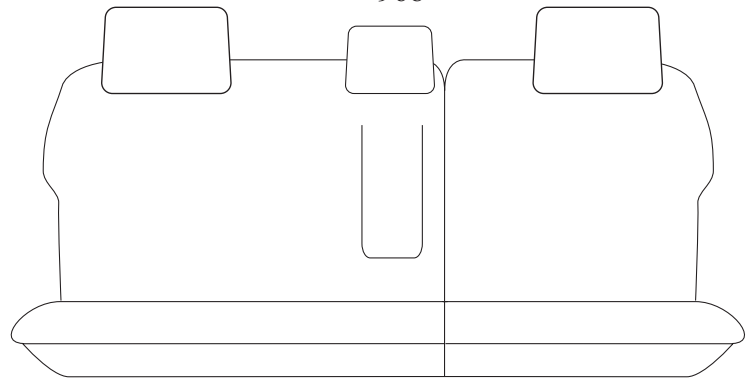


MIDDLE AND REAR SEATS

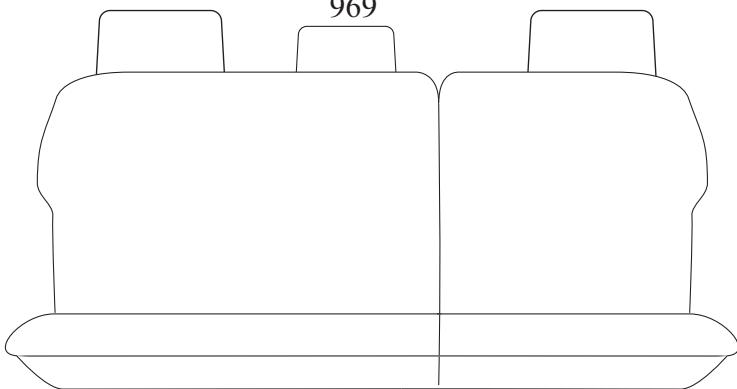
967



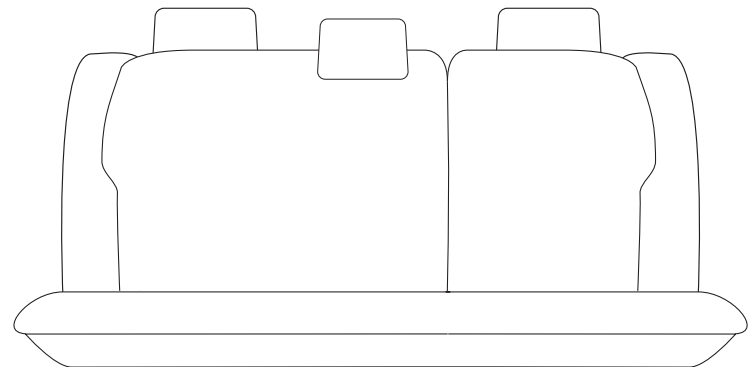
968



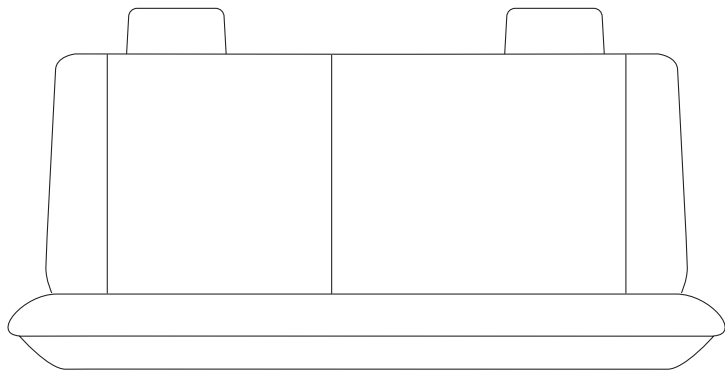
969



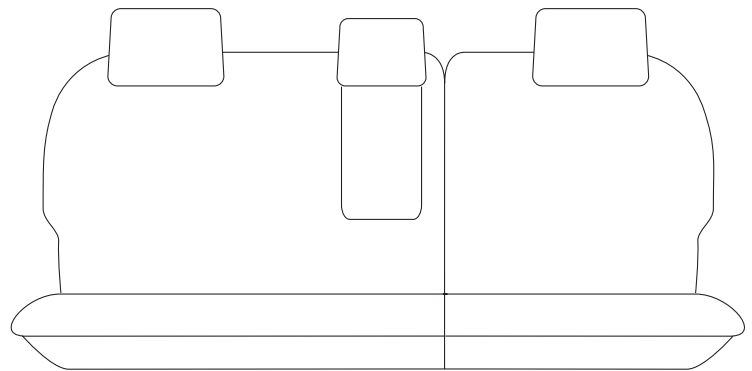
970



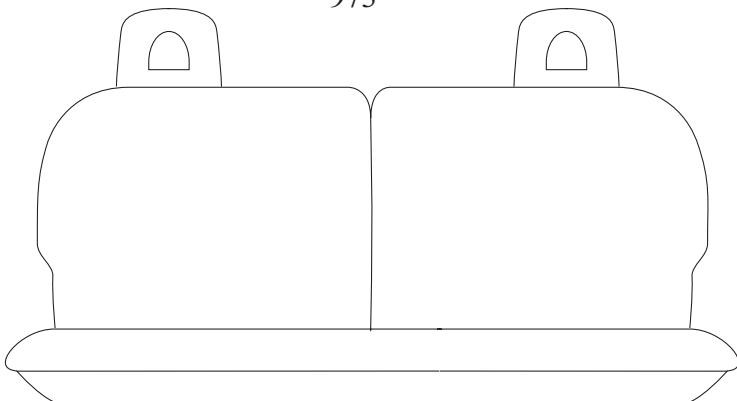
971



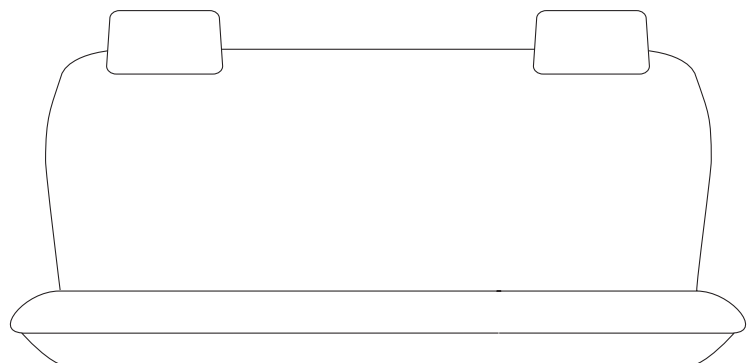
972



973

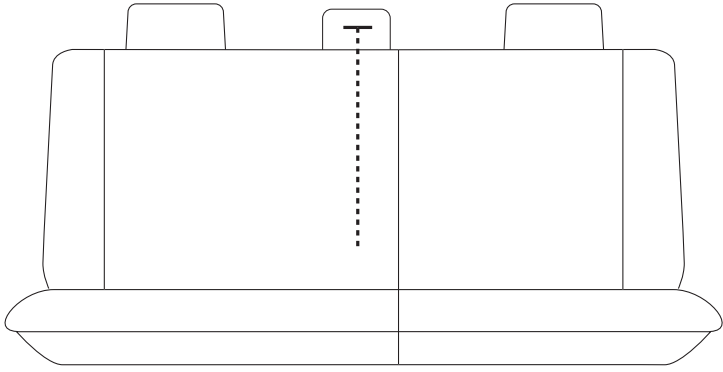


974

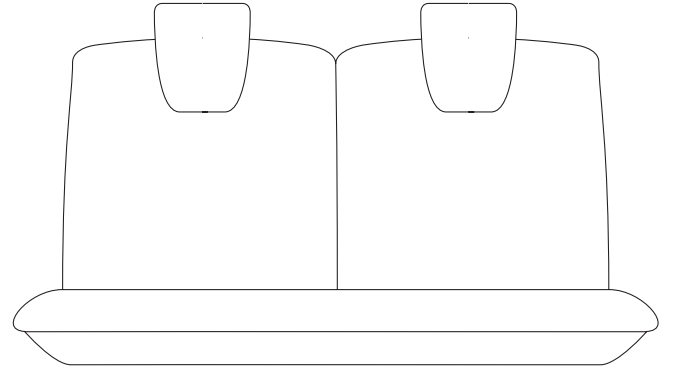


MIDDLE AND REAR SEATS

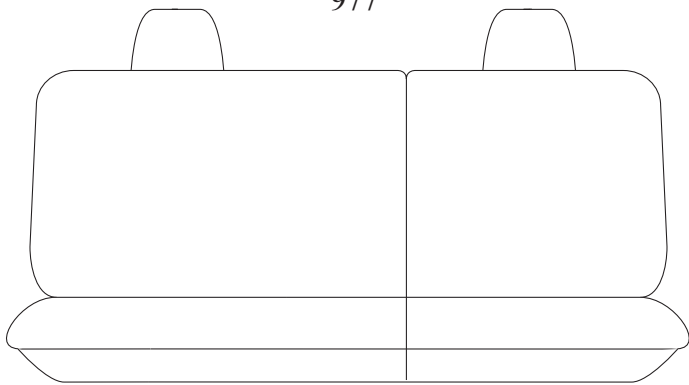
975



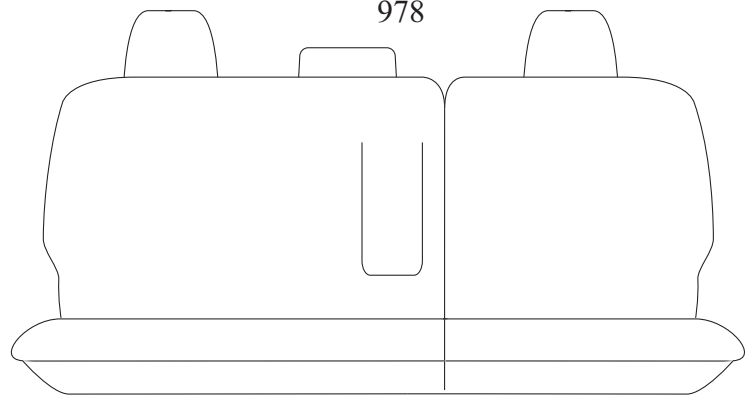
976



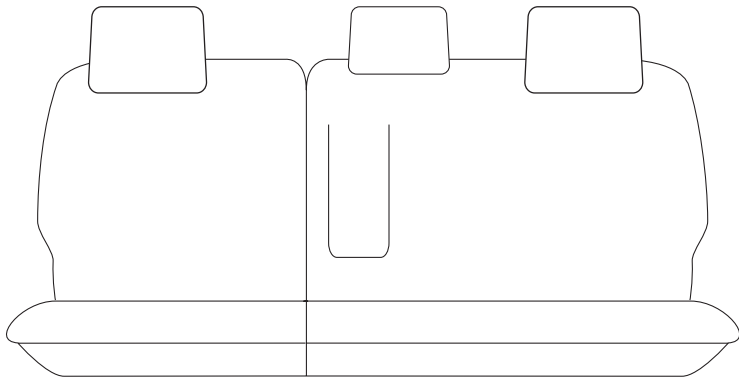
977



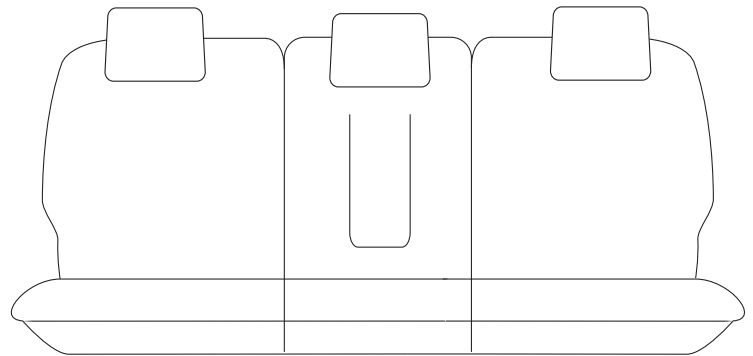
978



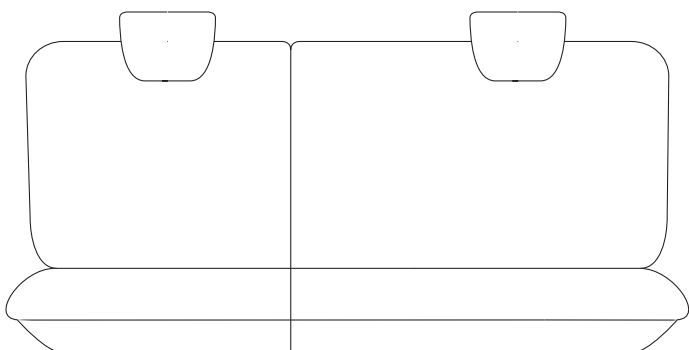
979



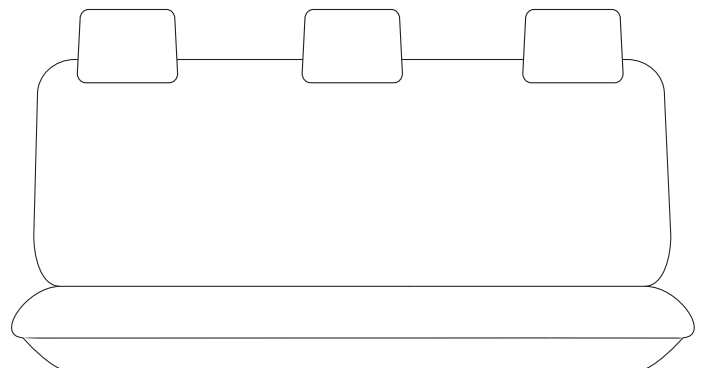
980



981

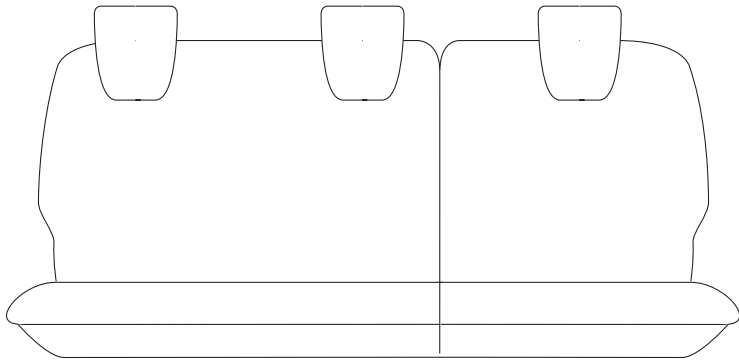


982

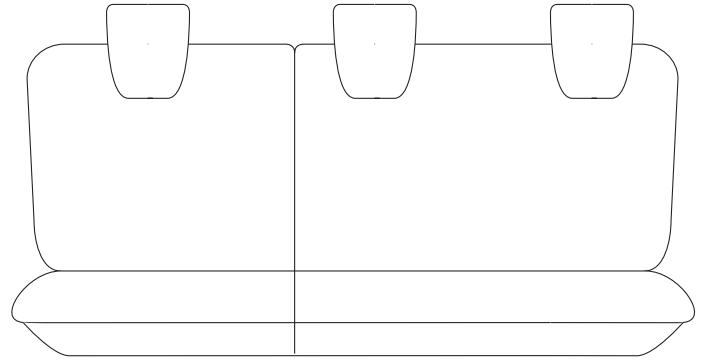


MIDDLE AND REAR SEATS

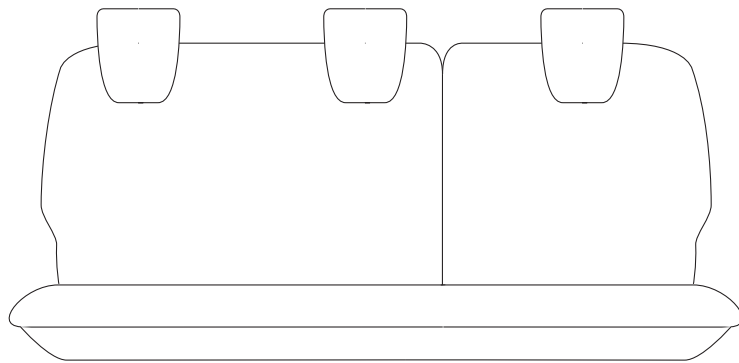
983



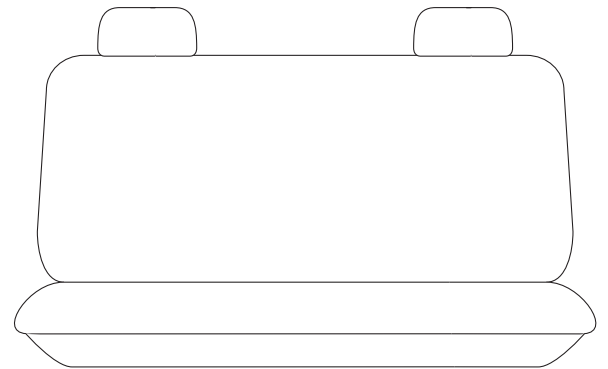
984



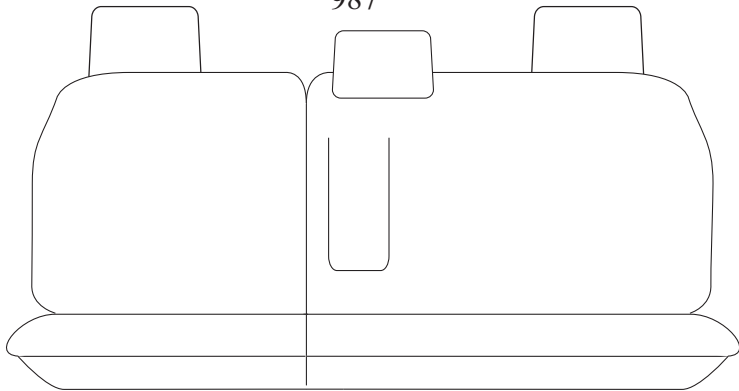
985



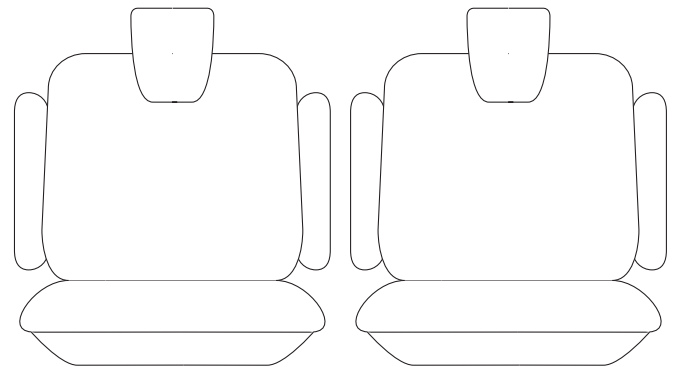
986



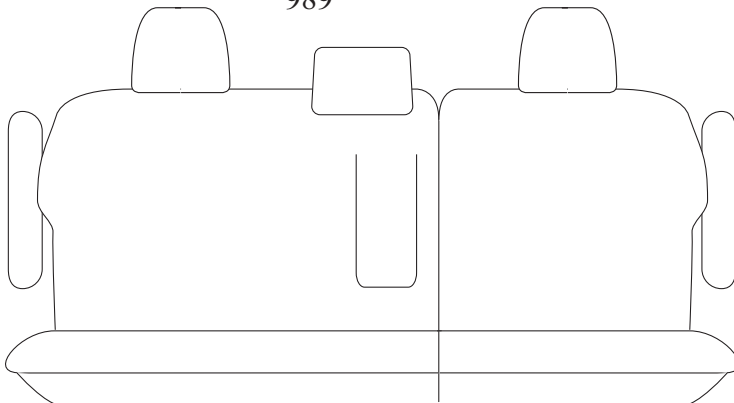
987



988

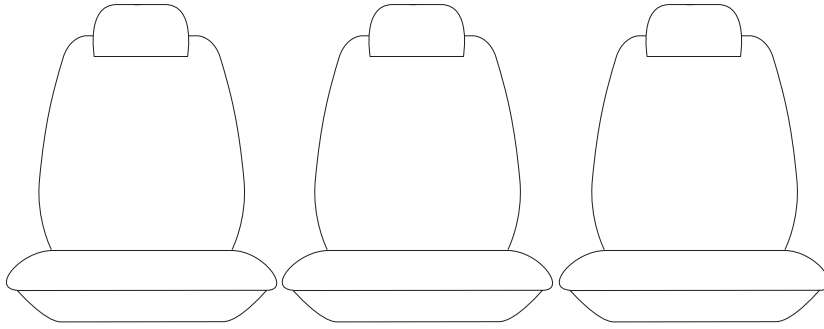


989

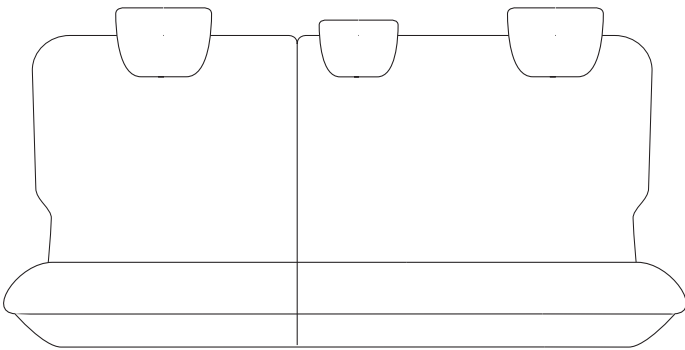


MIDDLE AND REAR SEATS

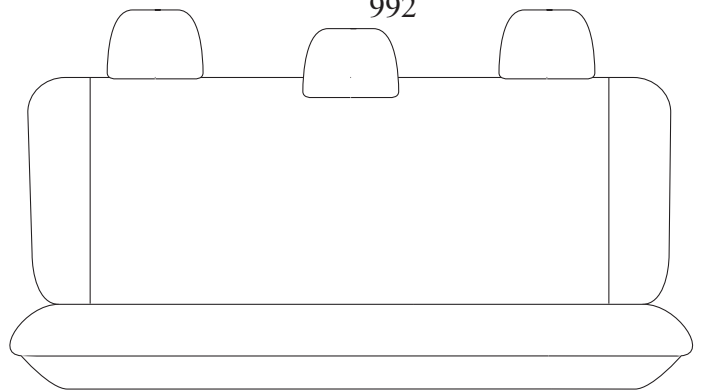
990



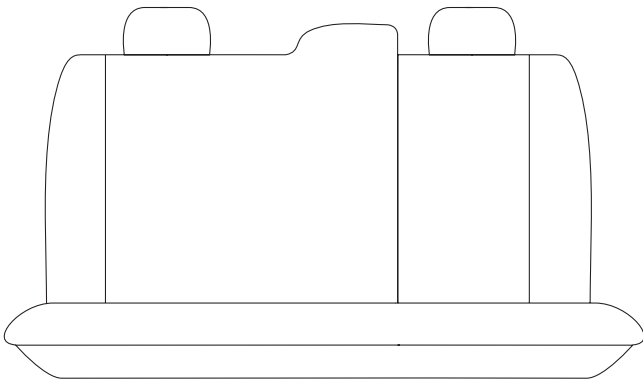
991



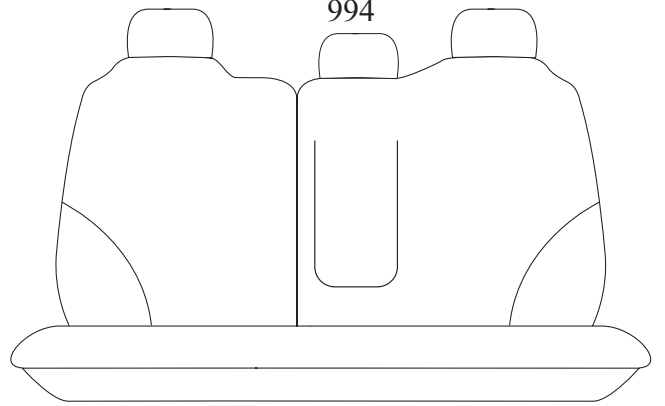
992



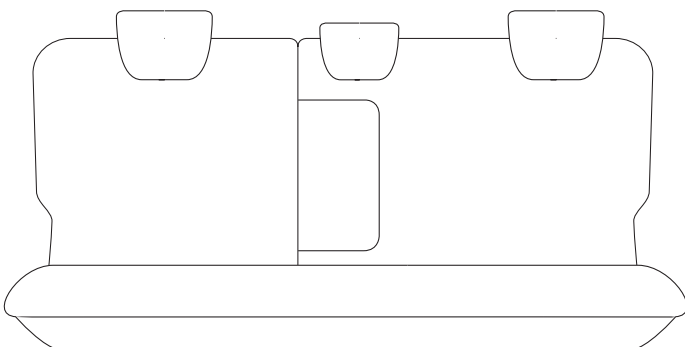
993



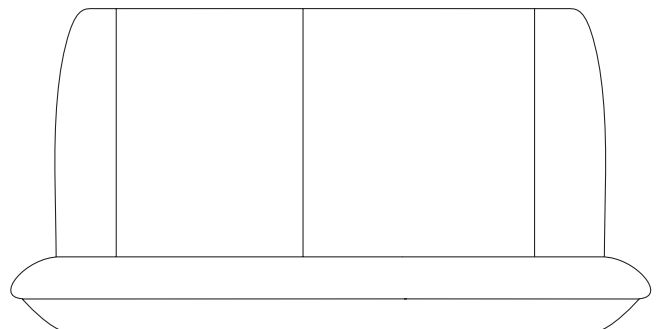
994



995

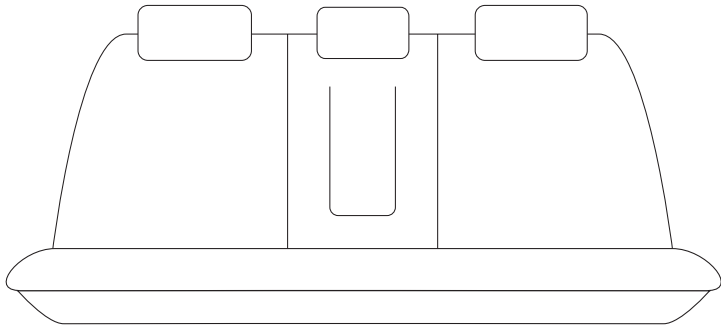


996

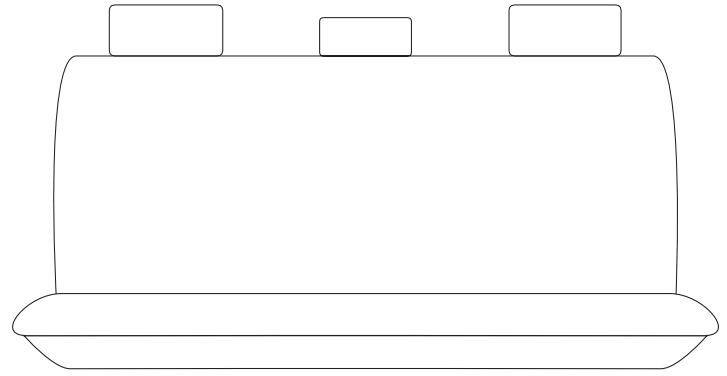


MIDDLE AND REAR SEATS

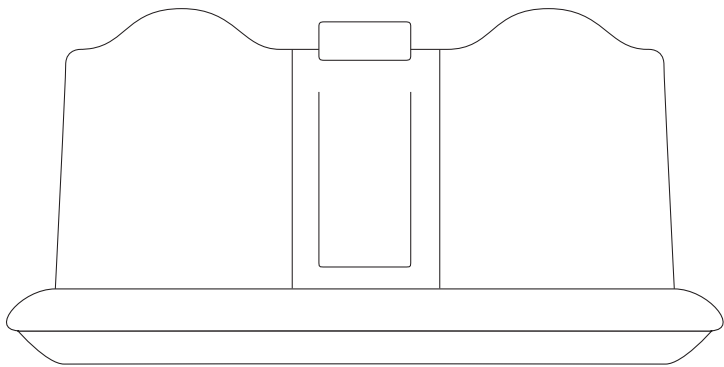
997



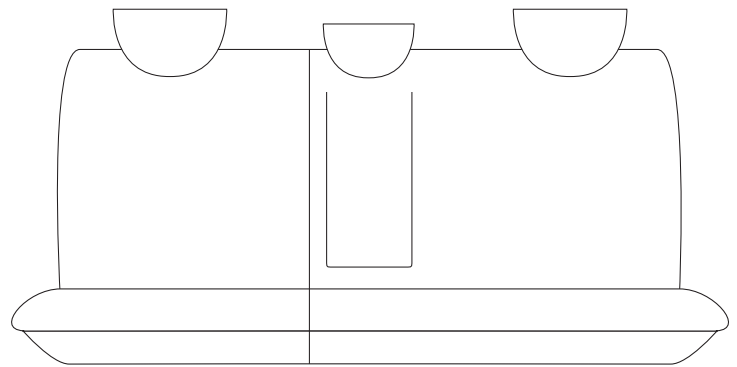
998



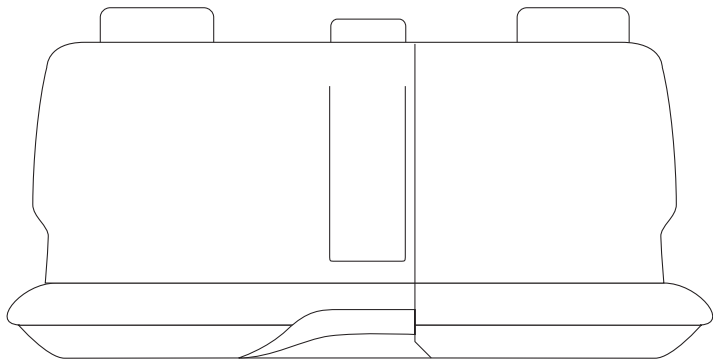
999



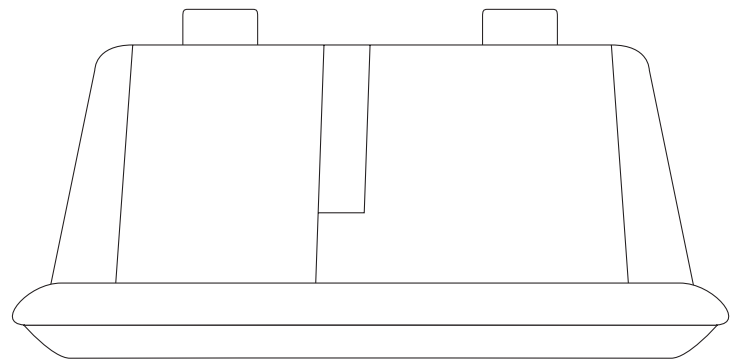
1000



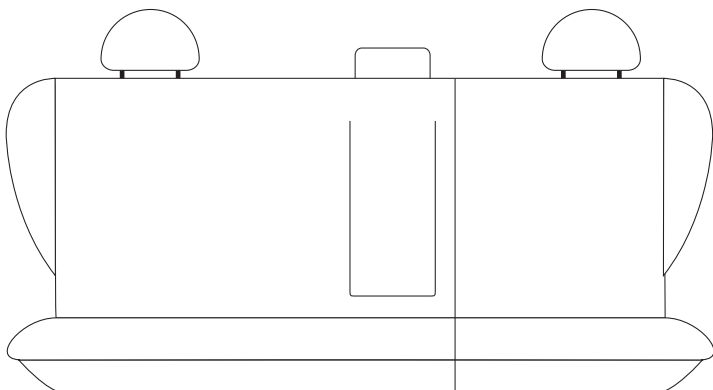
1001



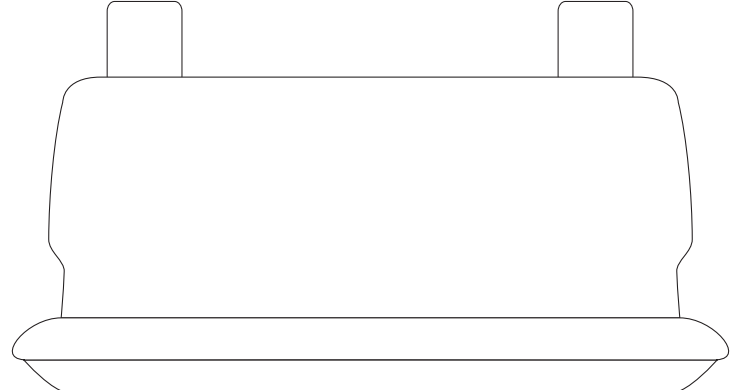
1002



1003

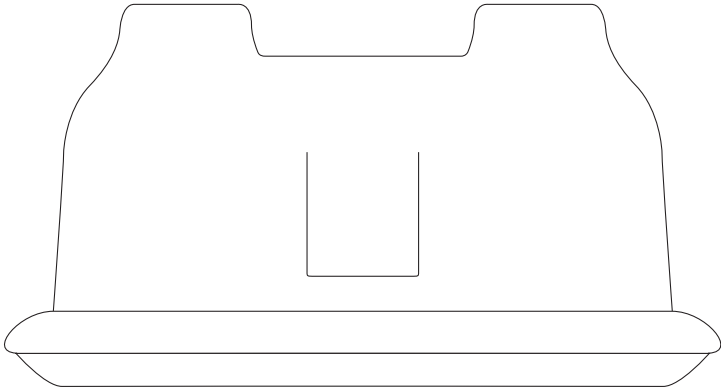


1004

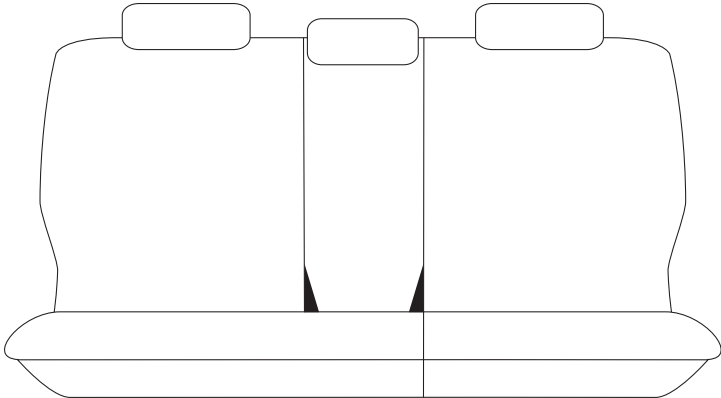


MIDDLE AND REAR SEATS

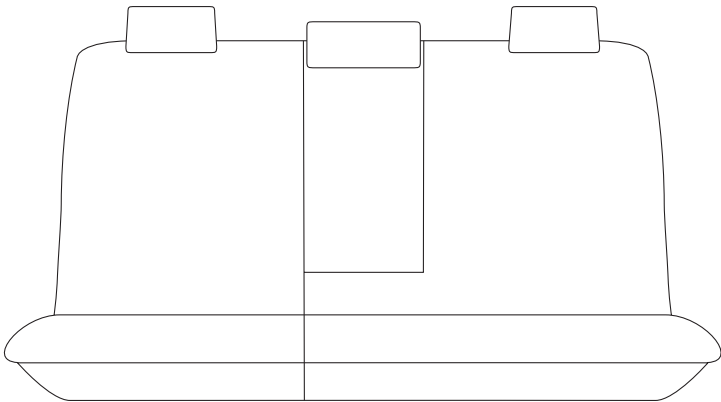
1005



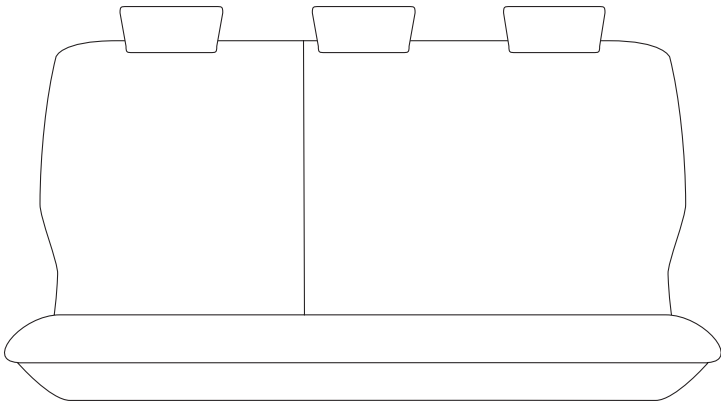
1006



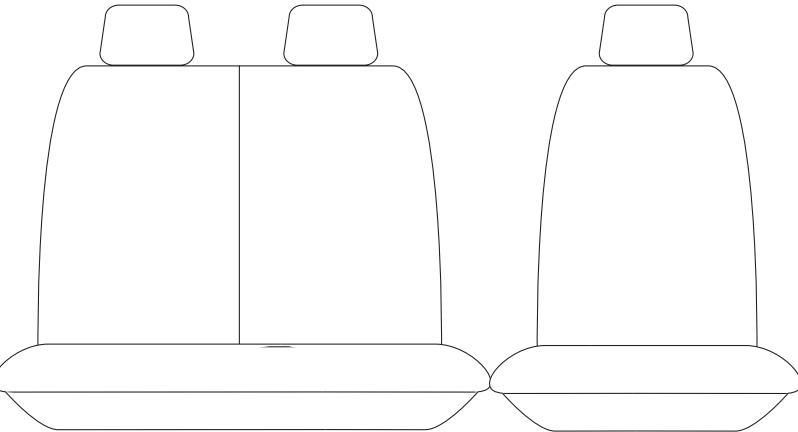
1007



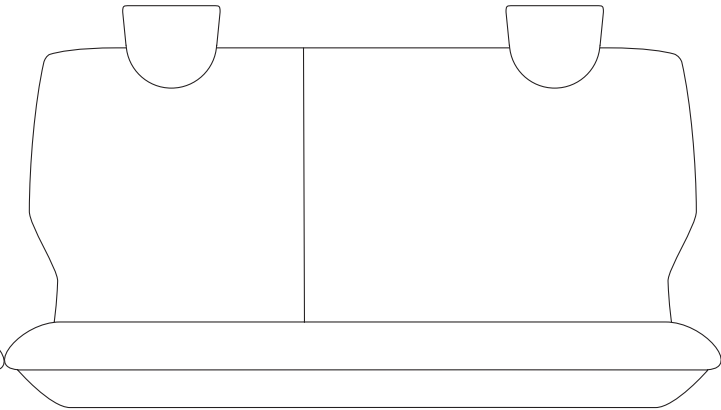
1008



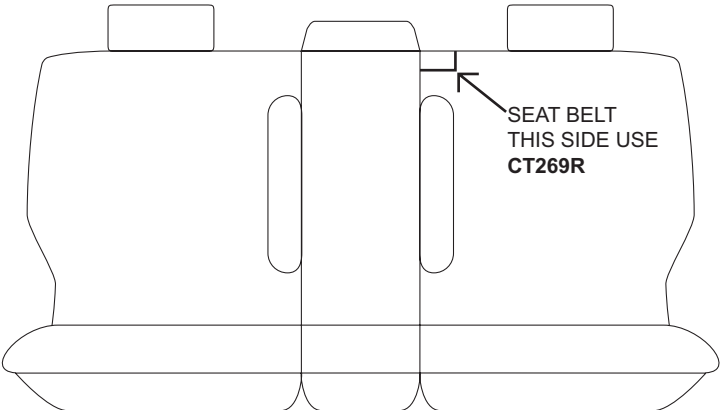
1009



1010

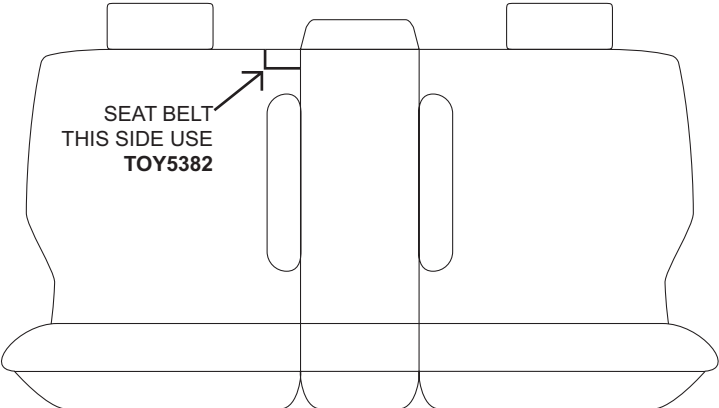


1011(A)

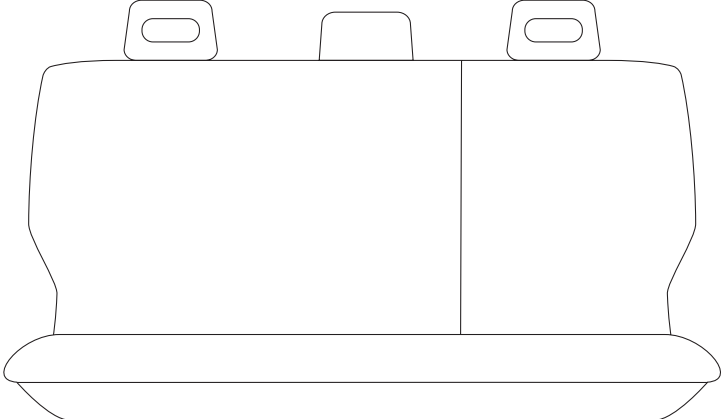


MIDDLE AND REAR SEATS

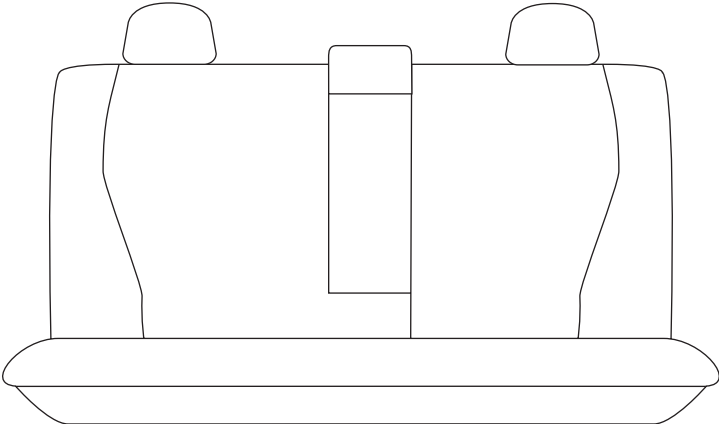
1011(B)



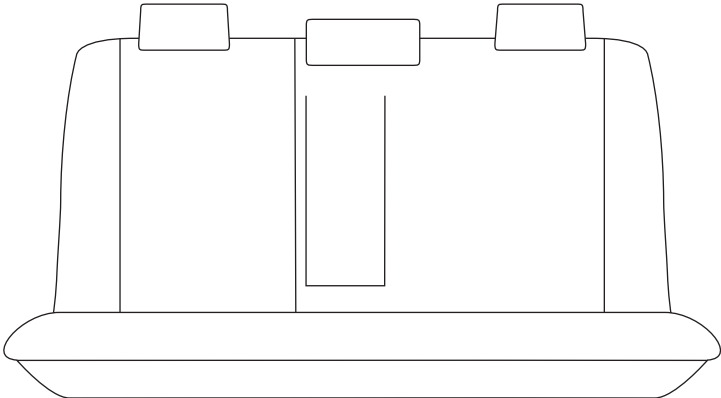
1012



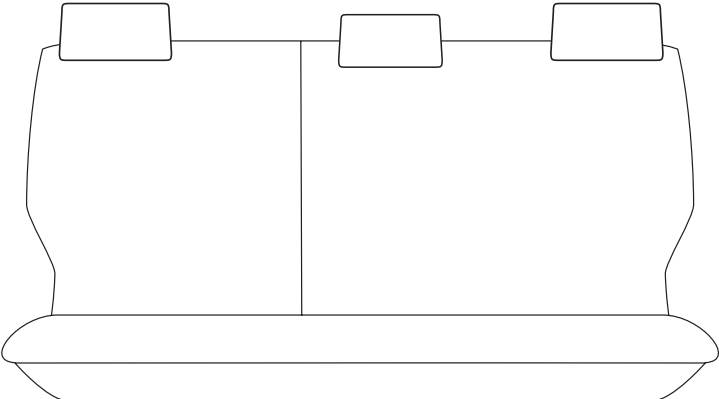
1013



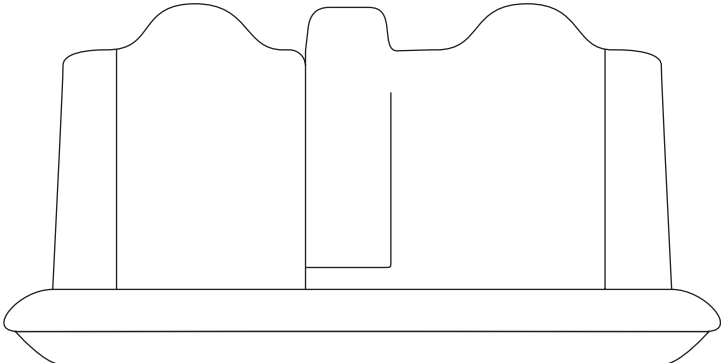
1014



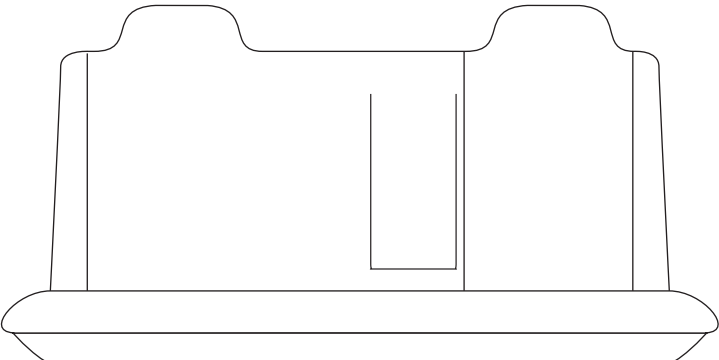
1015



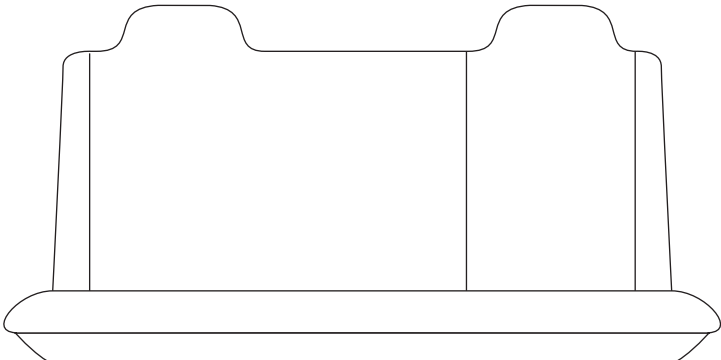
1016



1017

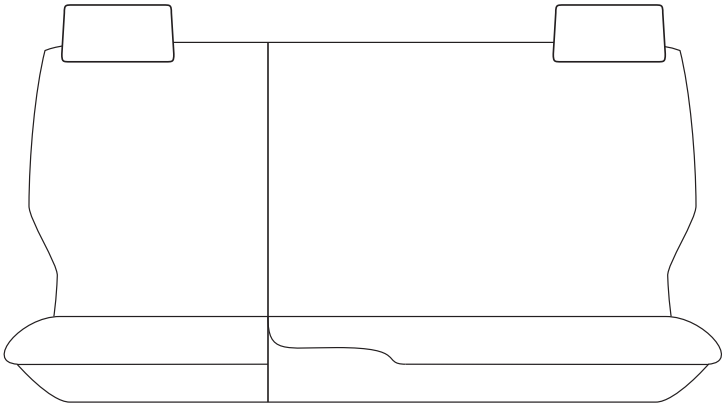


1018

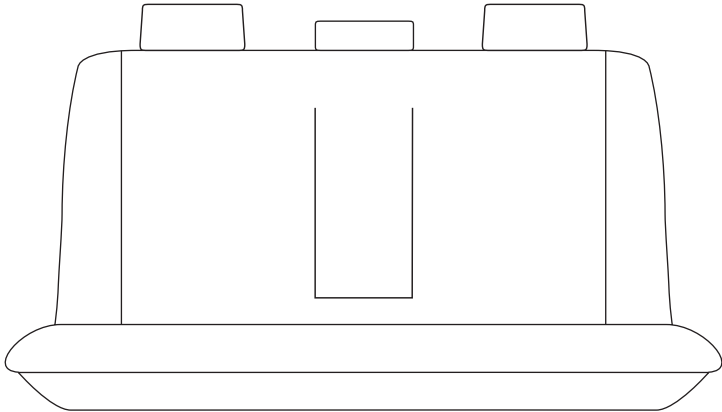


MIDDLE AND REAR SEATS

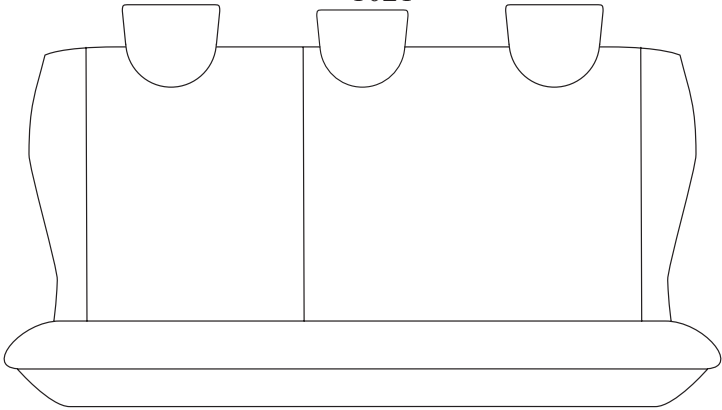
1019



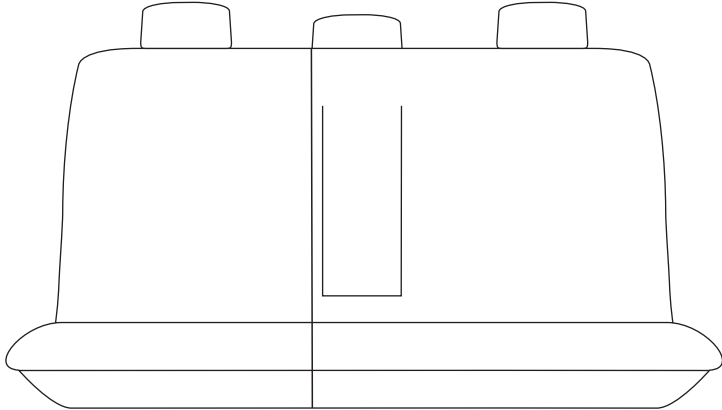
1020



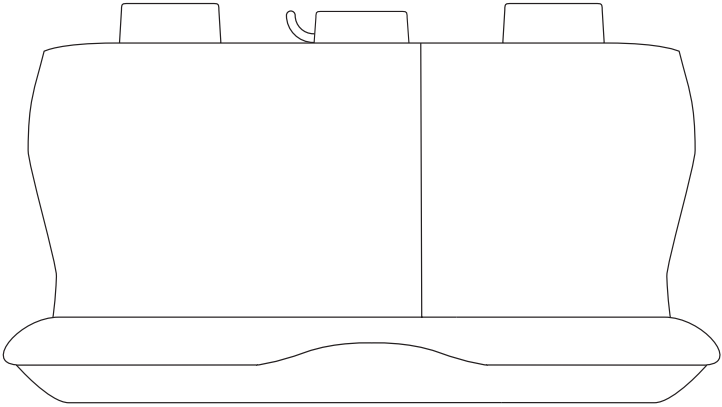
1021



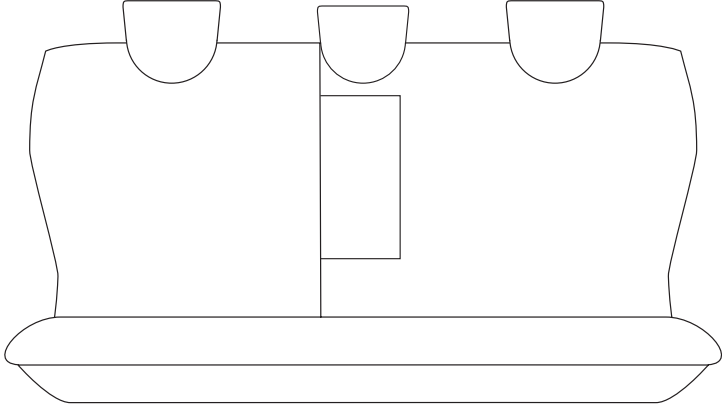
1022



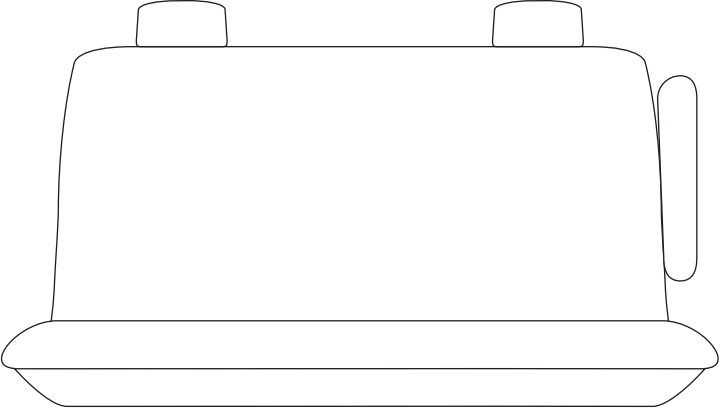
1023



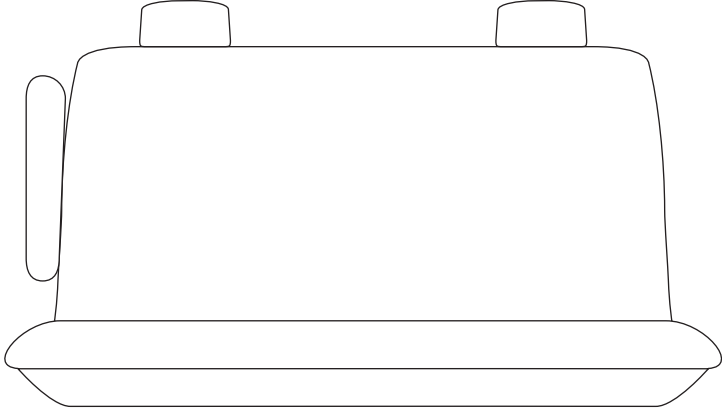
1024



1025

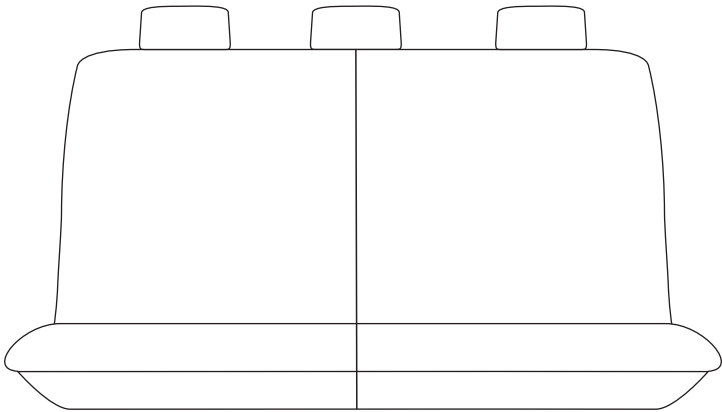


1026

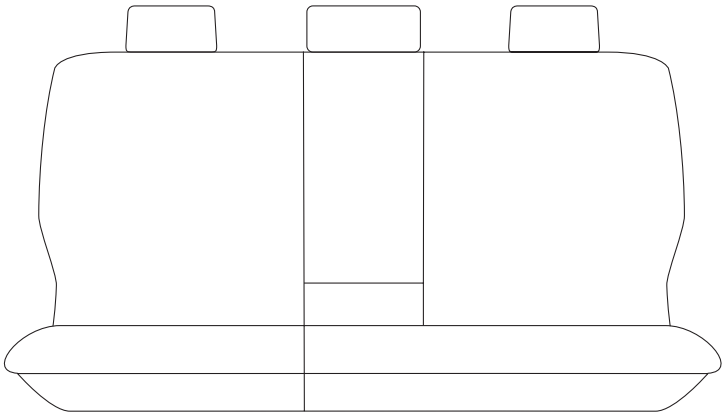


MIDDLE AND REAR SEATS

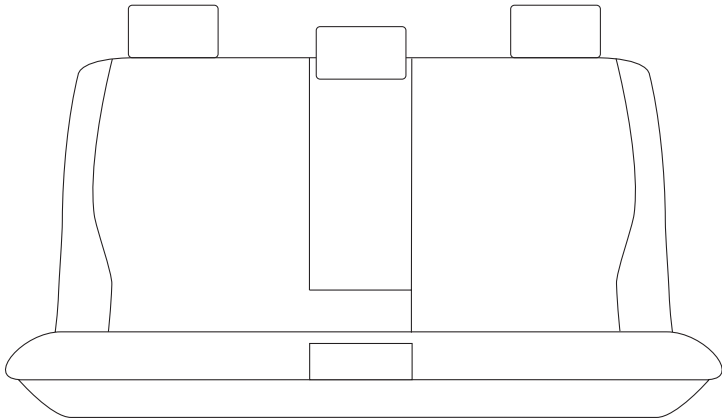
1027



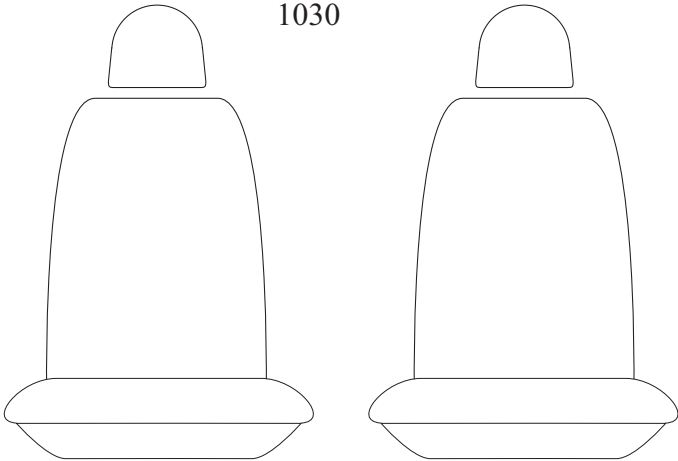
1028



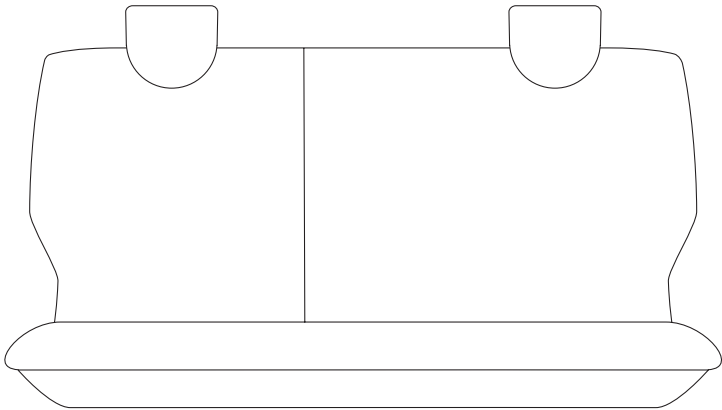
1029



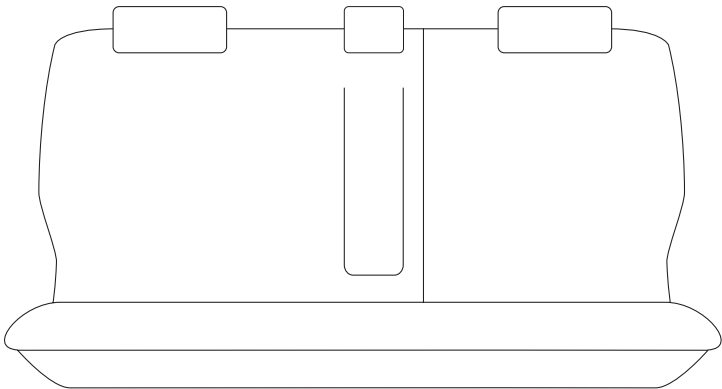
1030



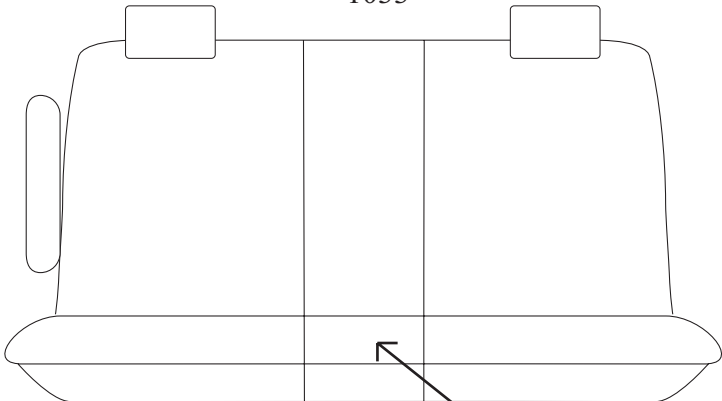
1031



1032



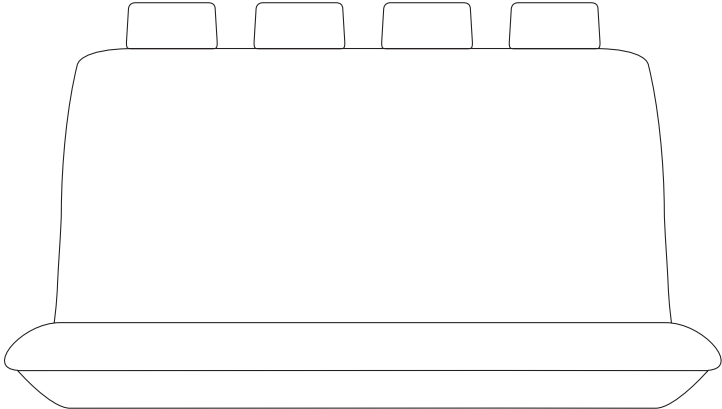
1033



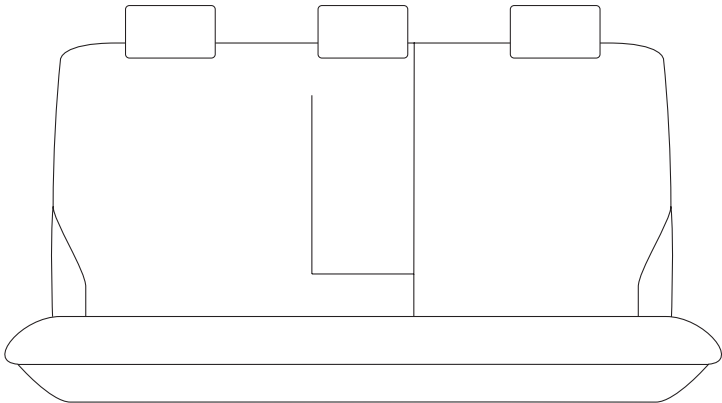
CONSOLE

MIDDLE AND REAR SEATS

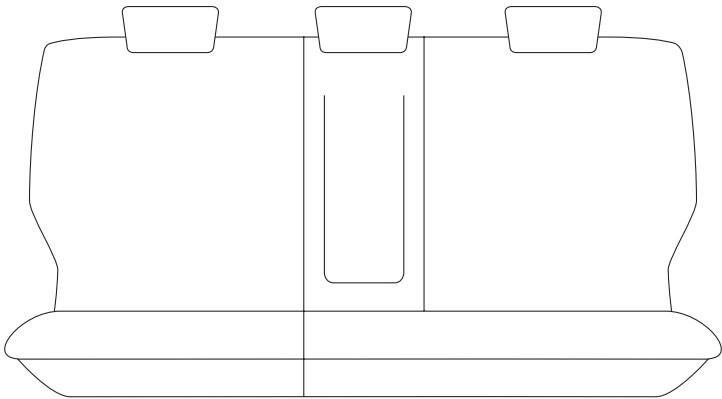
1034



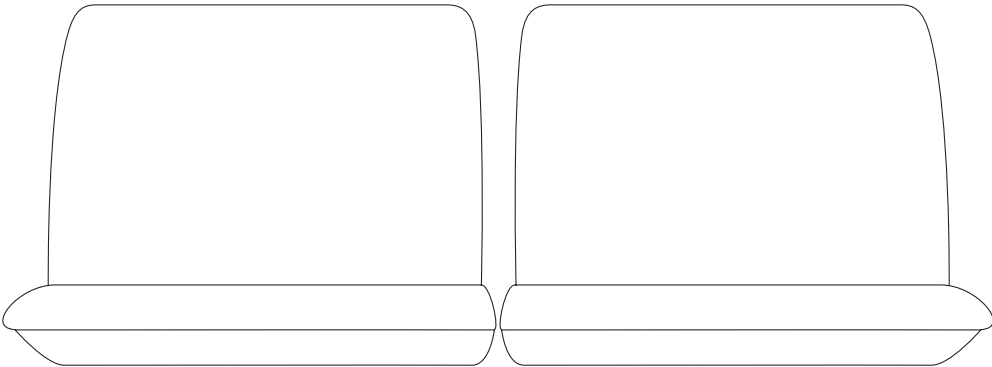
1035



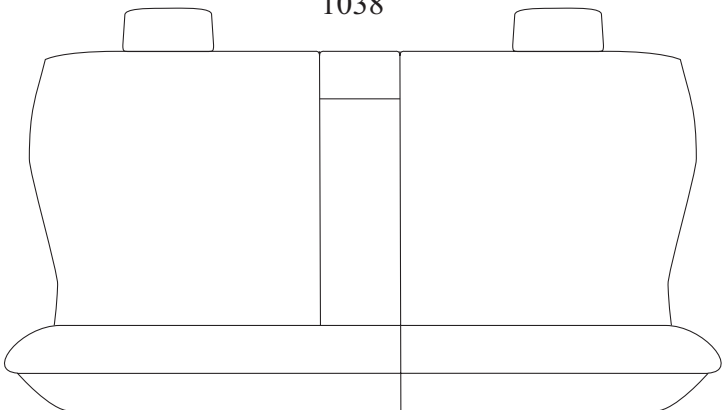
1036



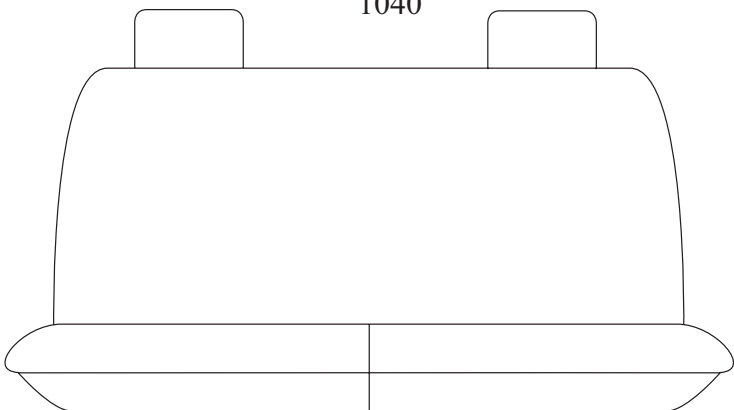
1037



1038

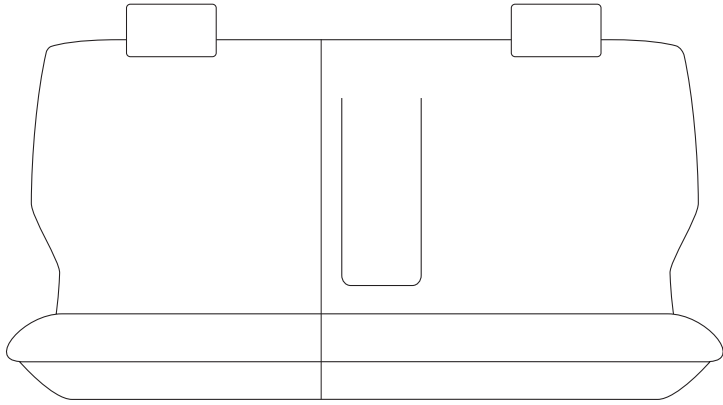


1040

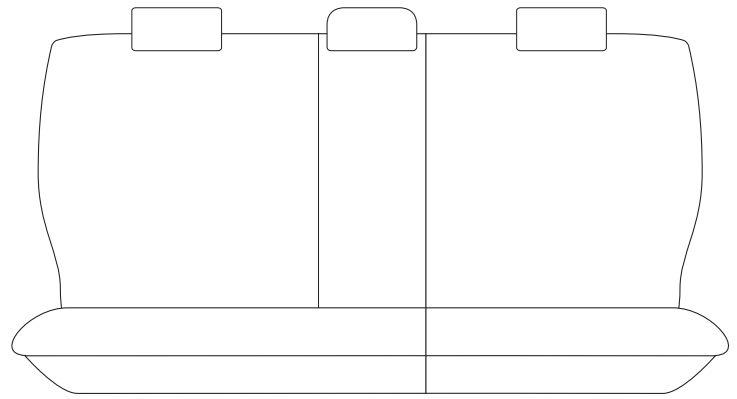


MIDDLE AND REAR SEATS

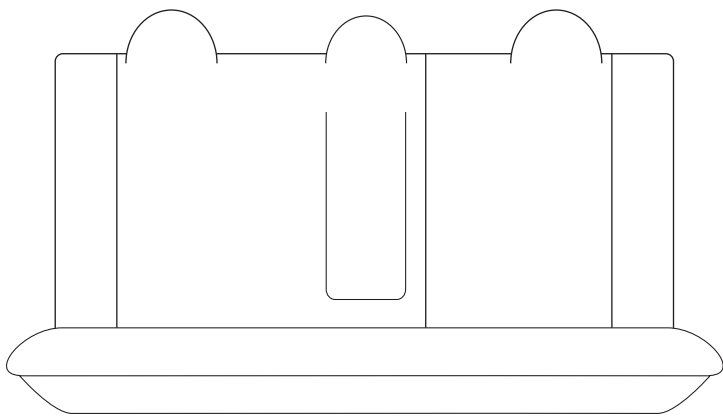
1041



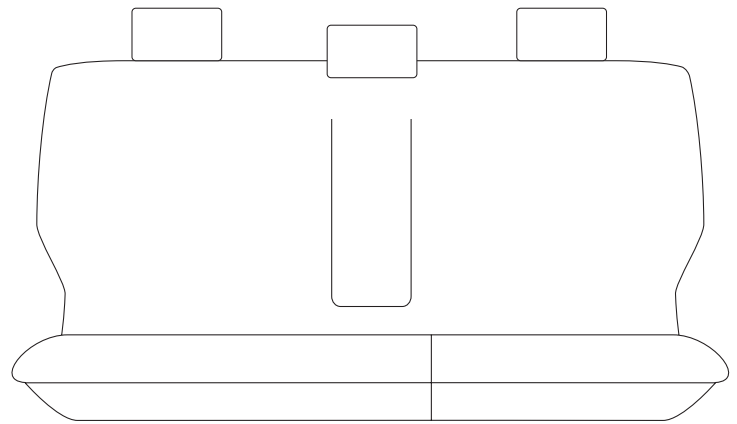
1042



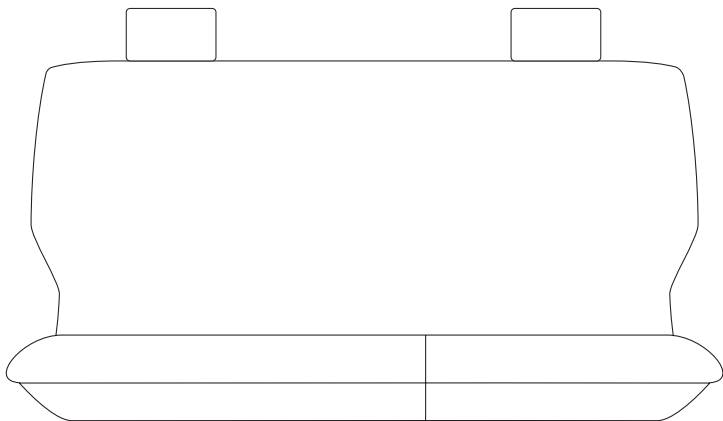
1043



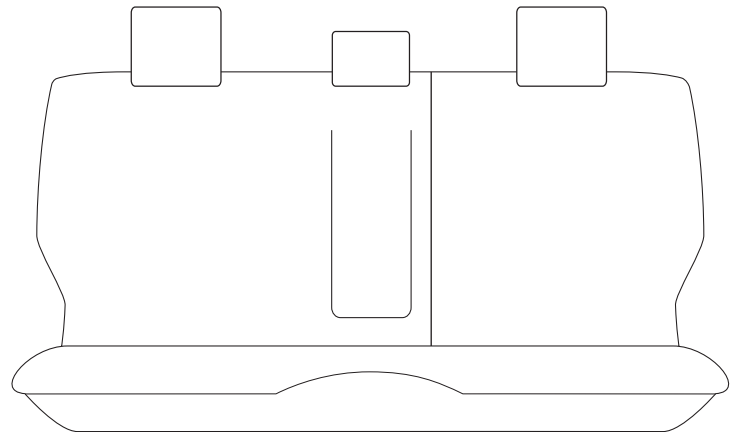
1044



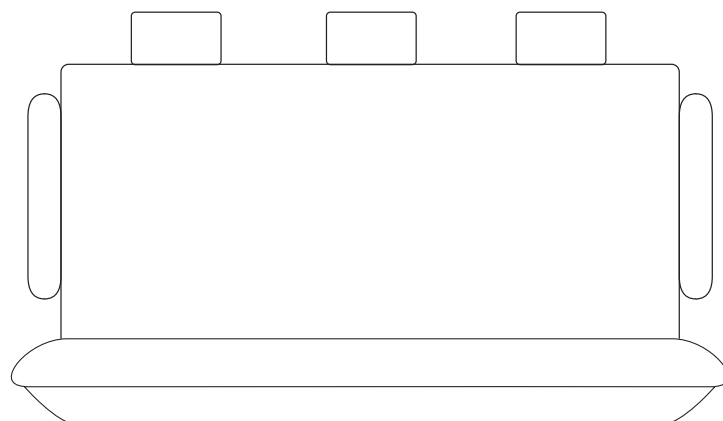
1045



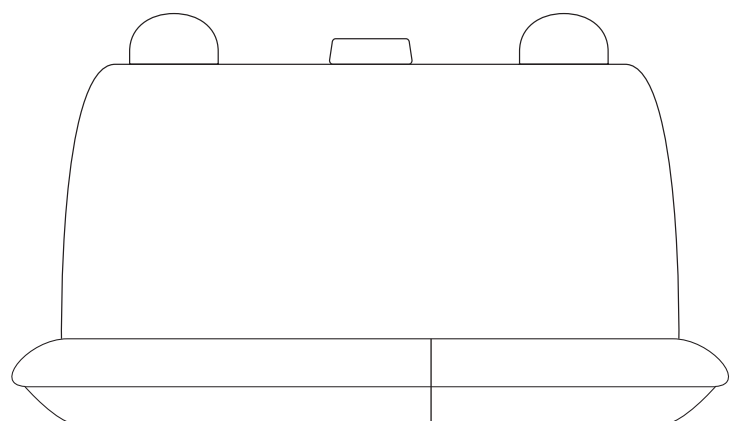
1046



1047

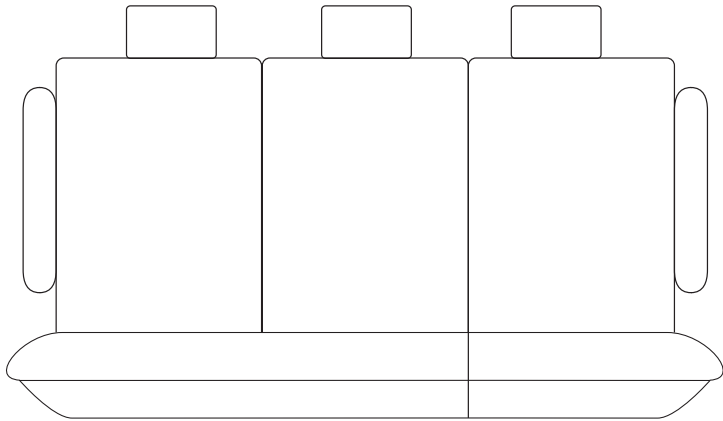


1048

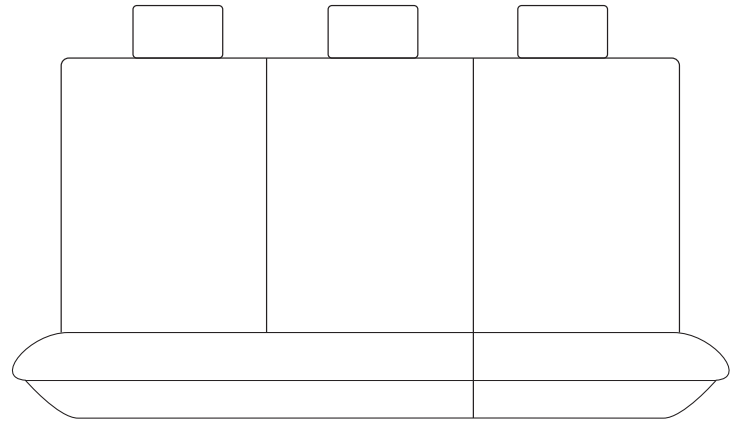


MIDDLE AND REAR SEATS

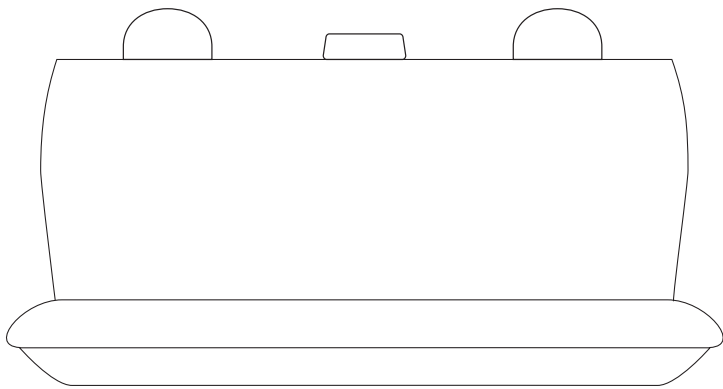
1049



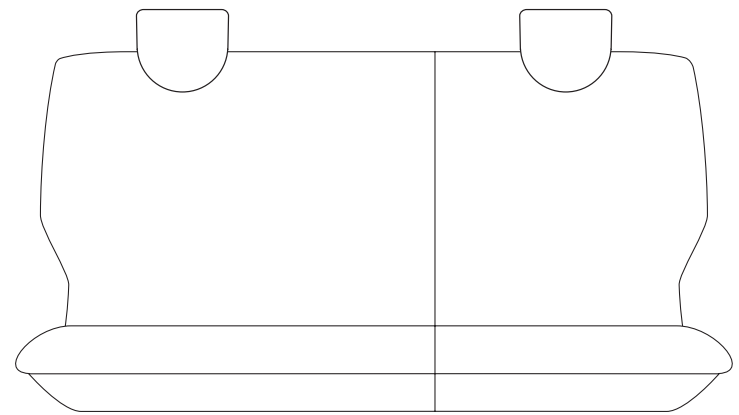
1050



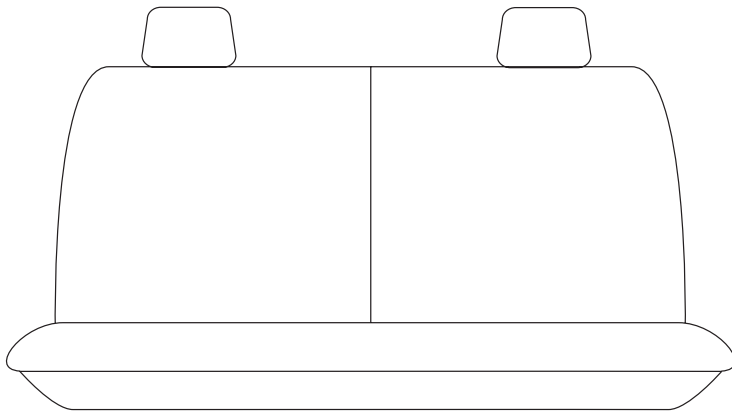
1051



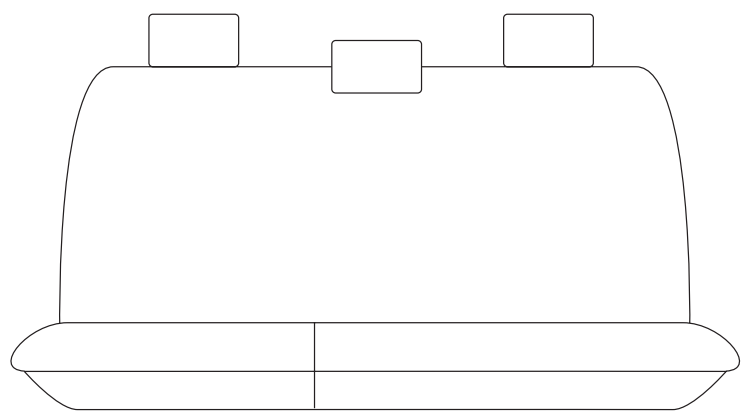
1052



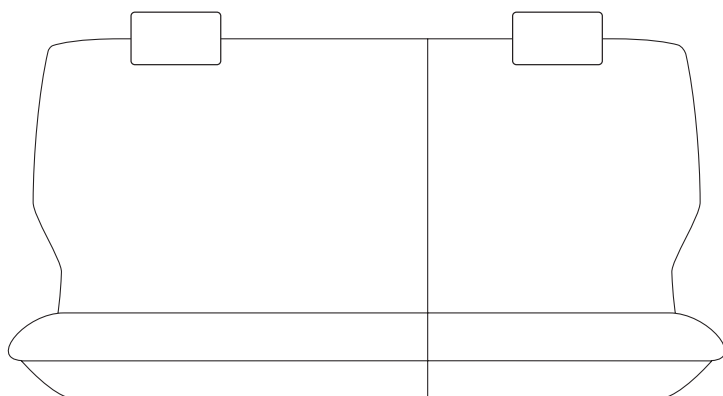
1053



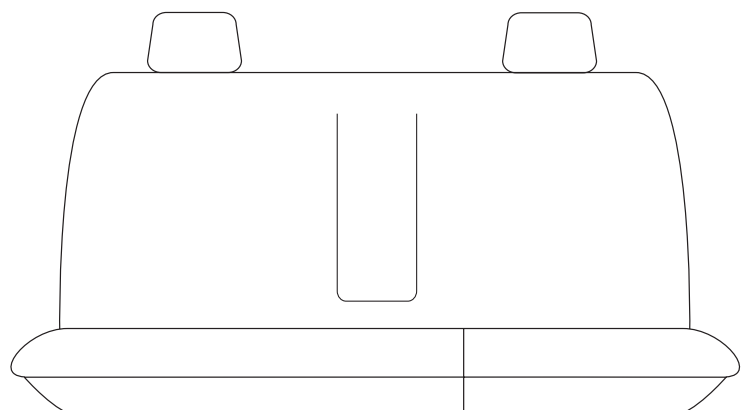
1054



1055

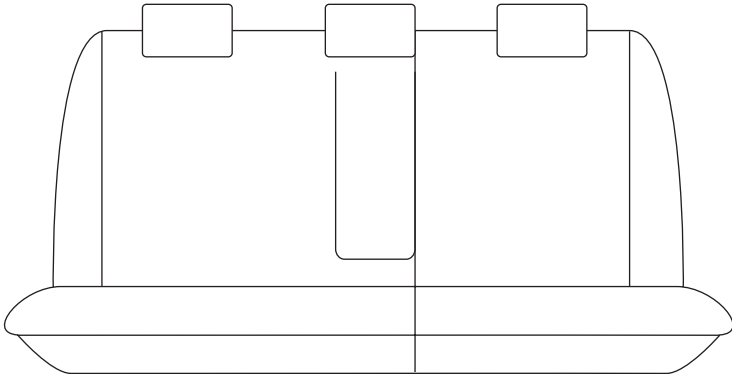


1056

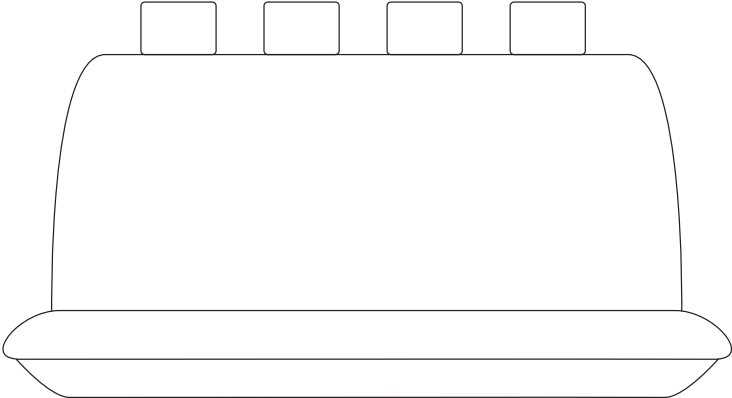


MIDDLE AND REAR SEATS

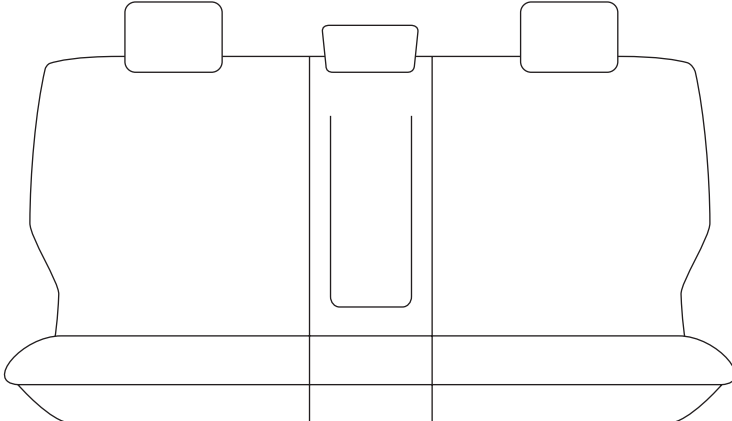
1057



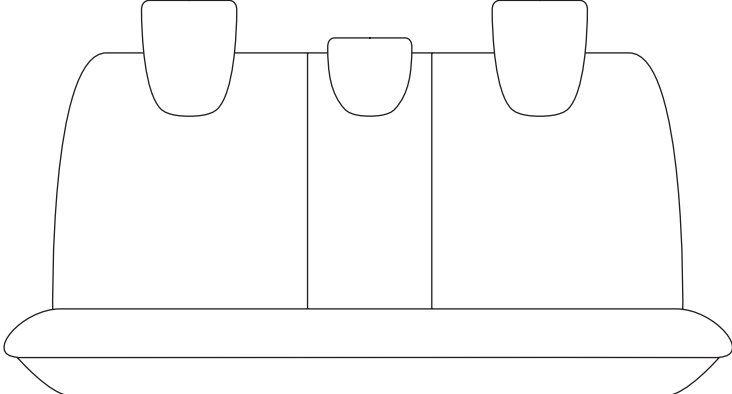
1058



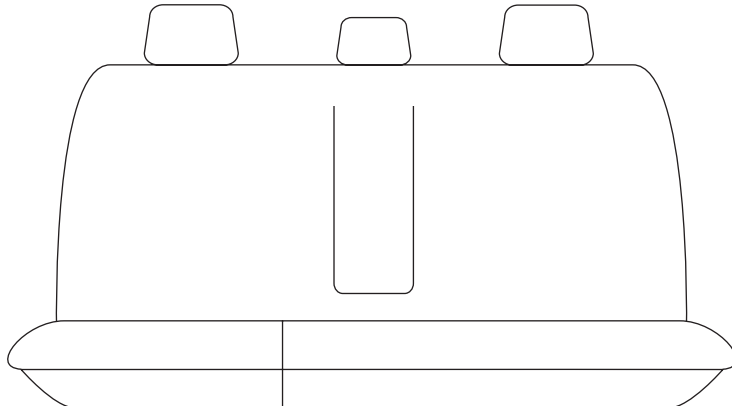
1059



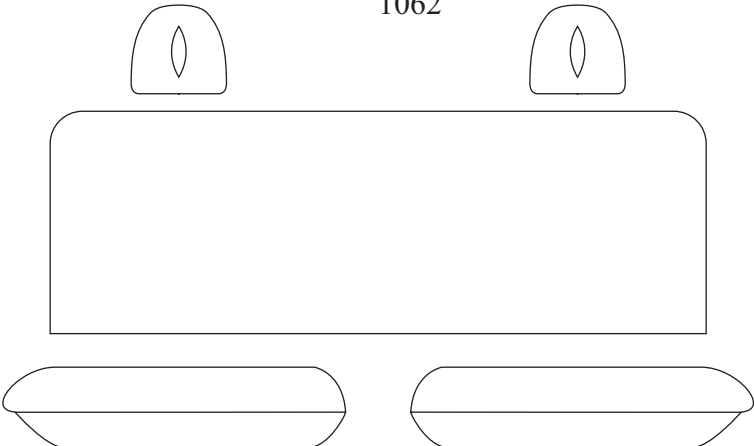
1060



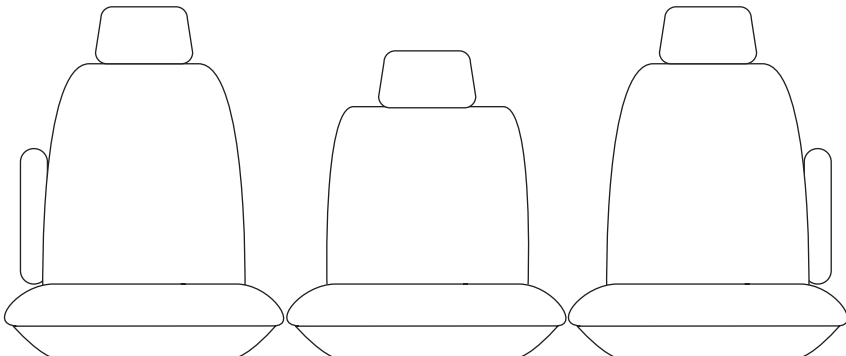
1061



1062

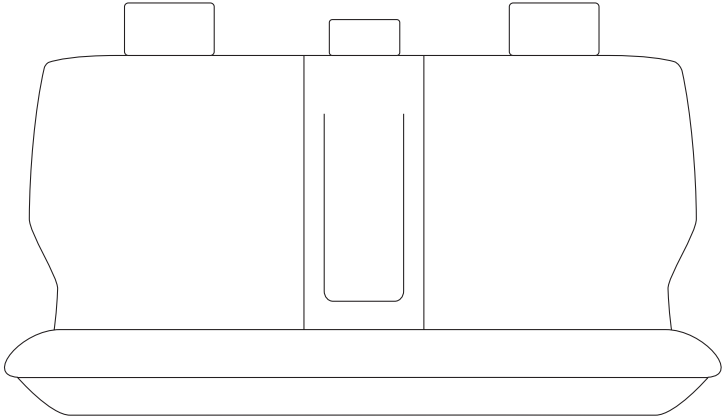


1063

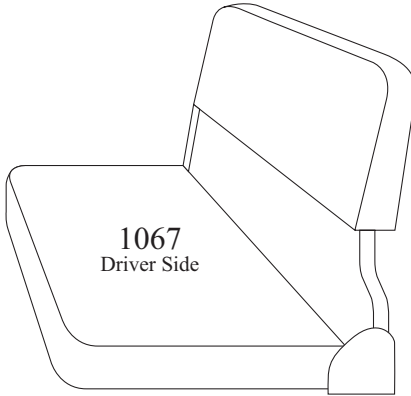
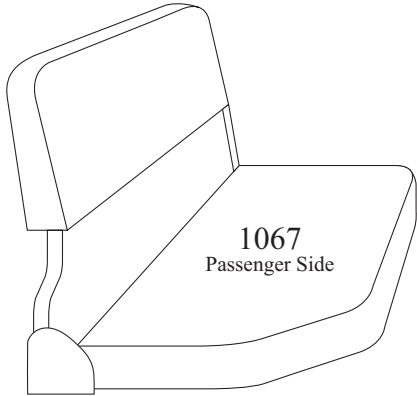
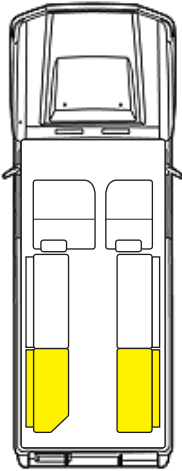
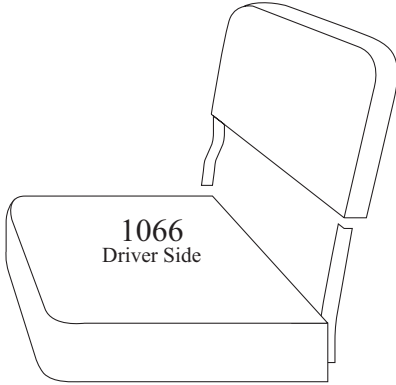
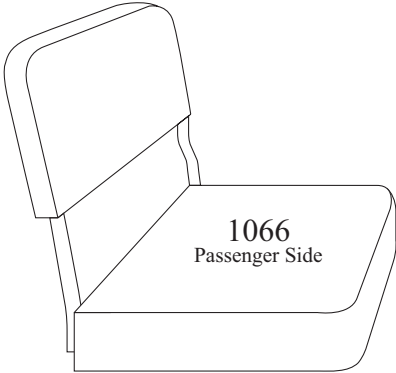
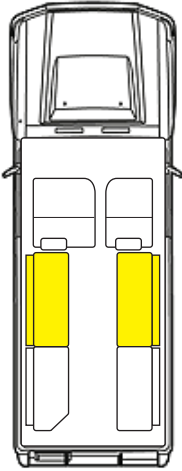
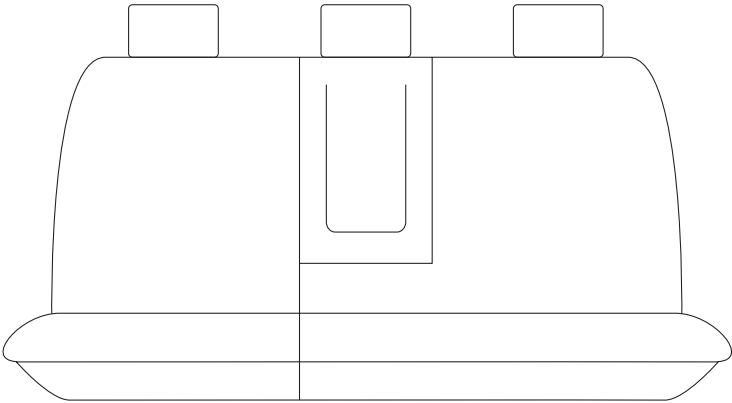


MIDDLE AND REAR SEATS

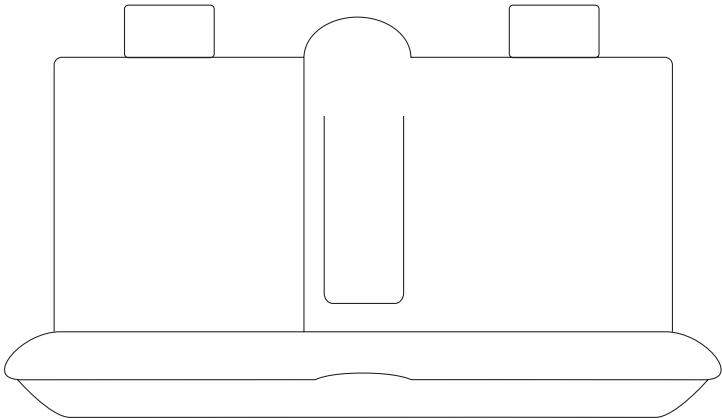
1064



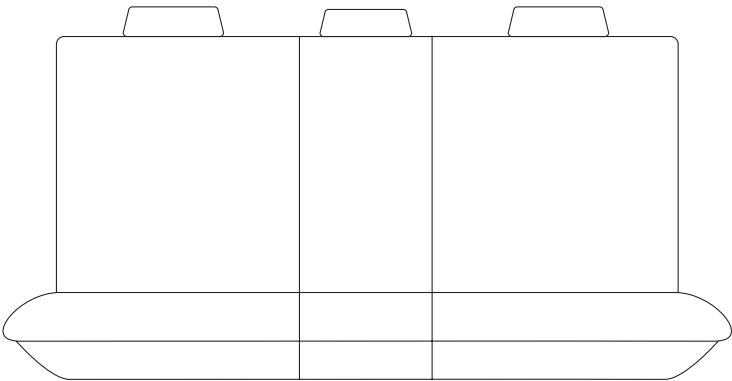
1065



1068

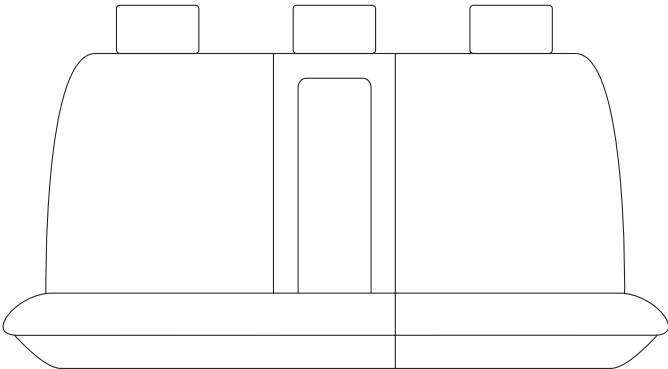


1069



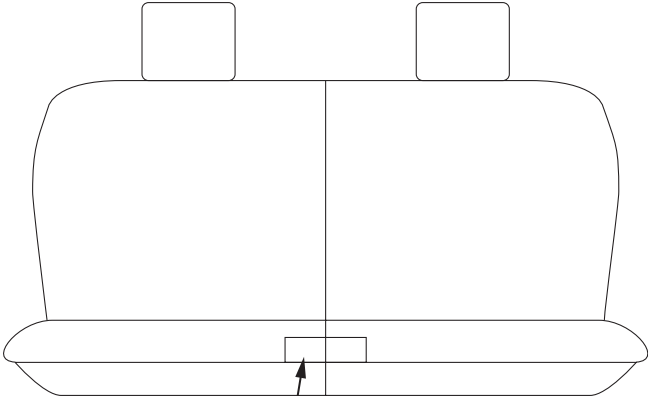
MIDDLE AND REAR SEATS

1070



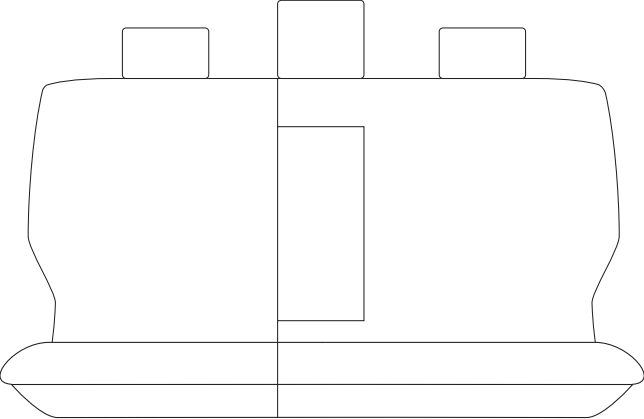
Note: middle has side airbags

1071

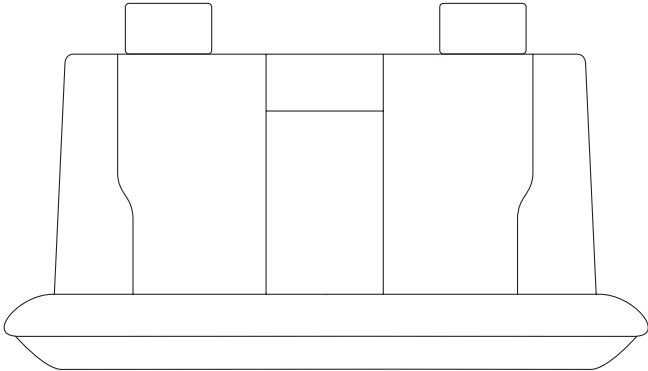


Dual cup holders

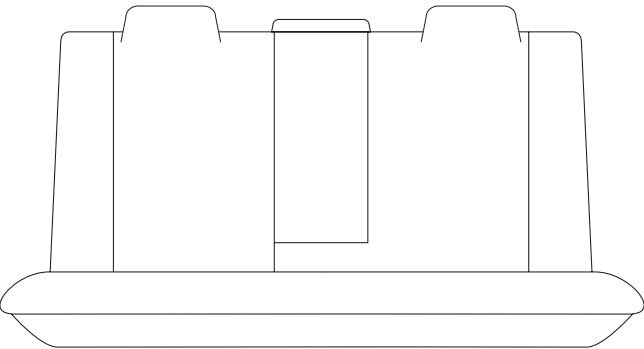
1072



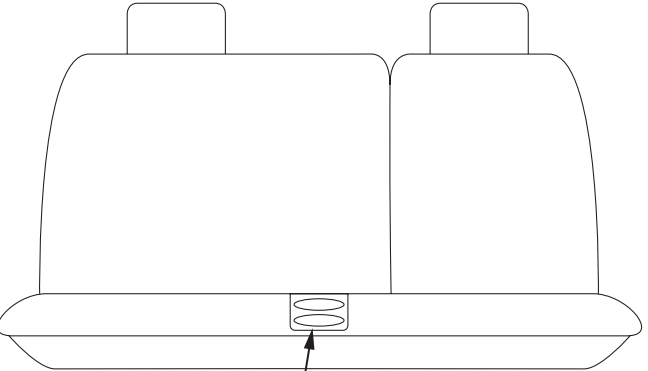
1073



1074

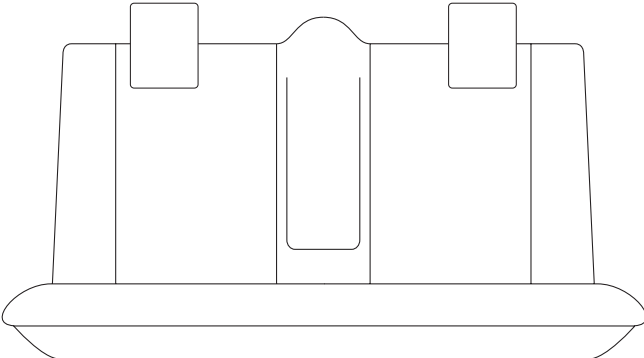


1075

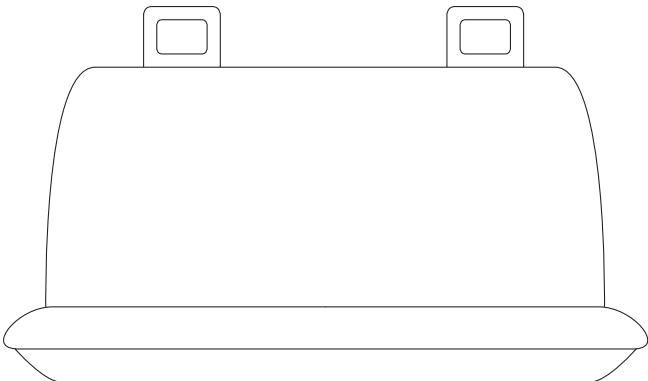


Cup holders

1076

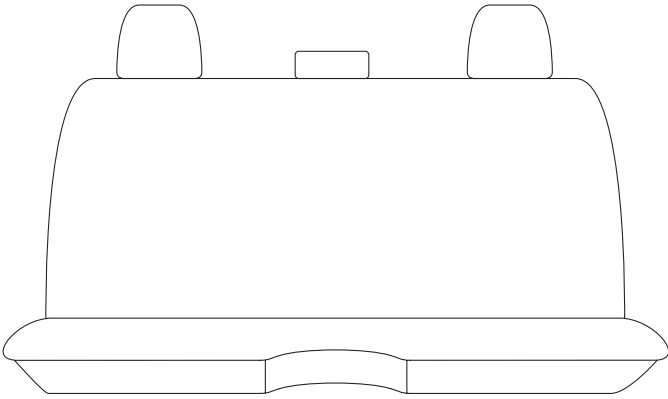


1077

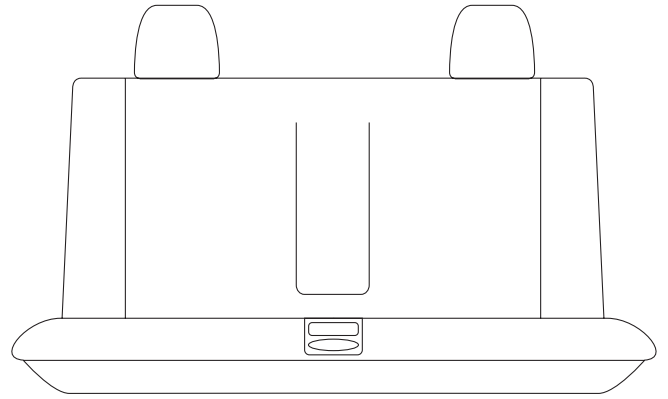


MIDDLE AND REAR SEATS

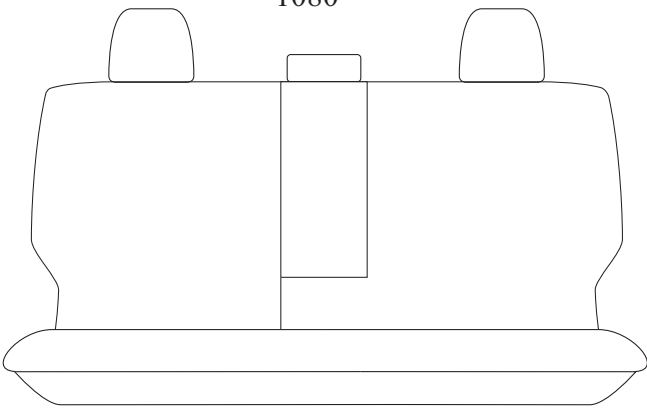
1078



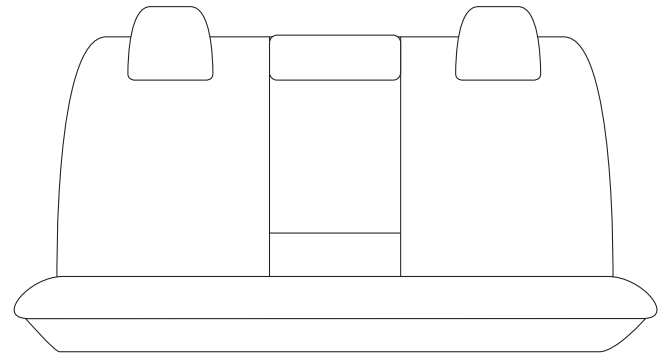
1079



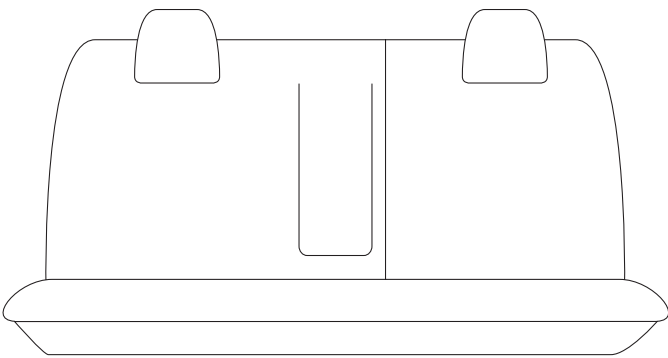
1080



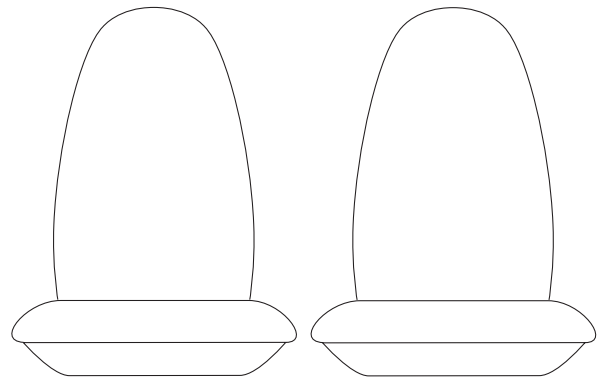
1081



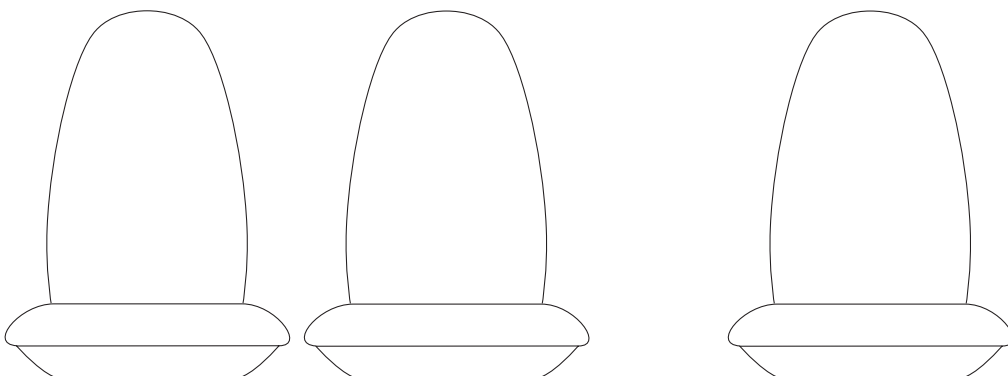
1082



1083

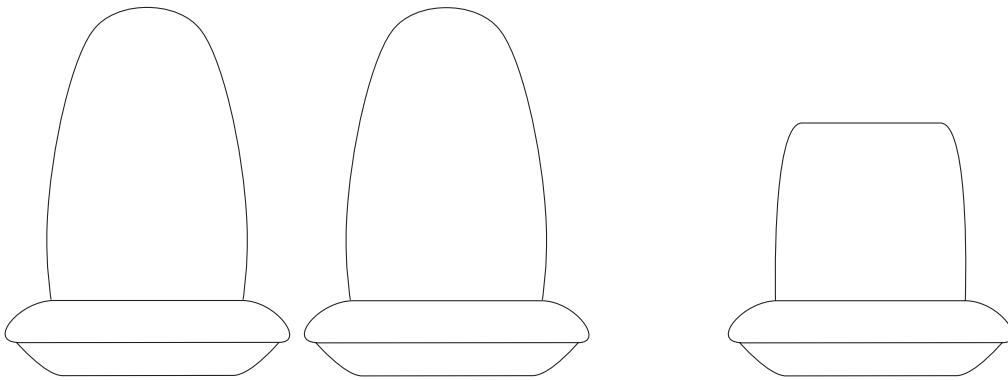


1084

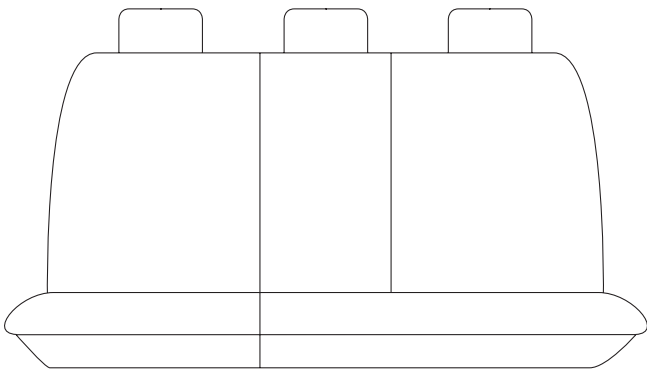


MIDDLE AND REAR SEATS

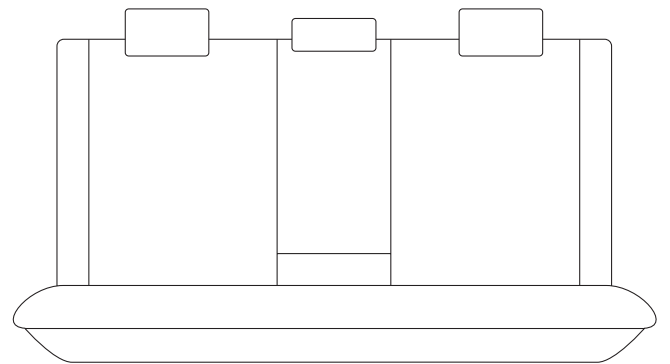
1085



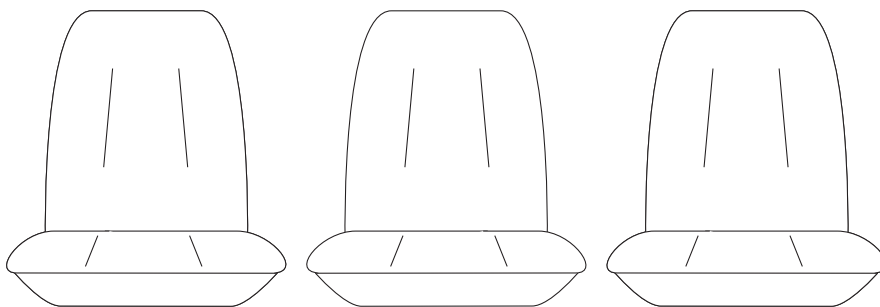
1086



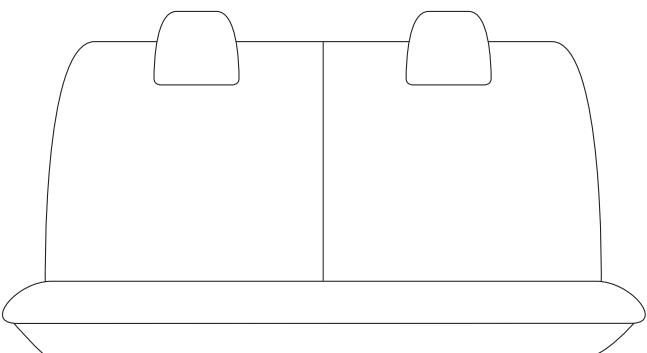
1087



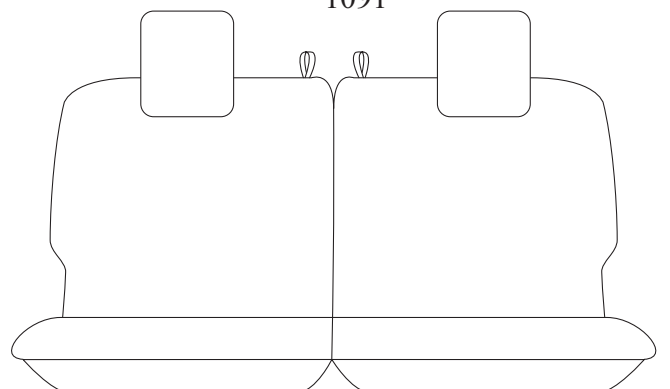
1089



1090

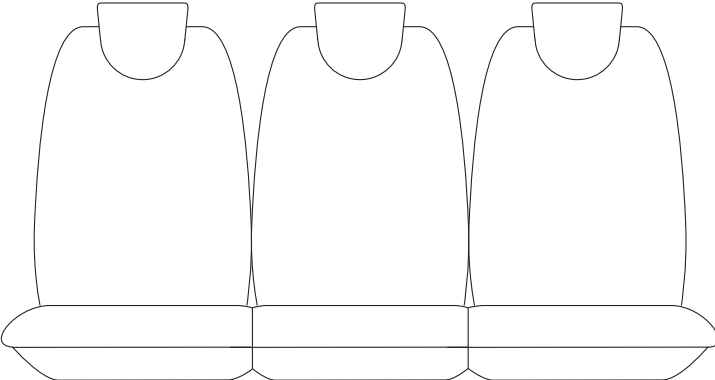


1091

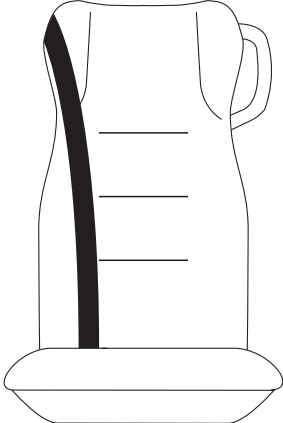


MIDDLE AND REAR SEATS

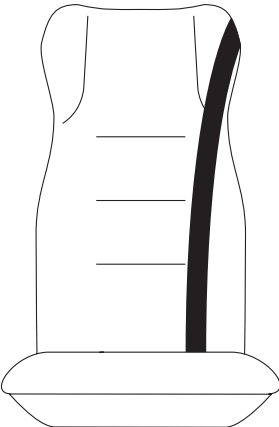
1092



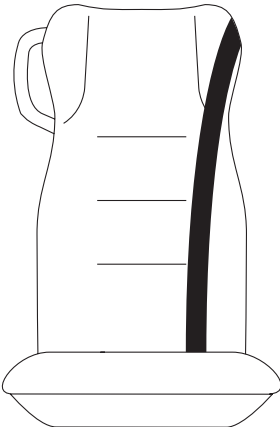
1093



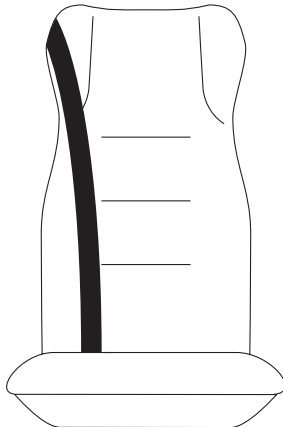
1094



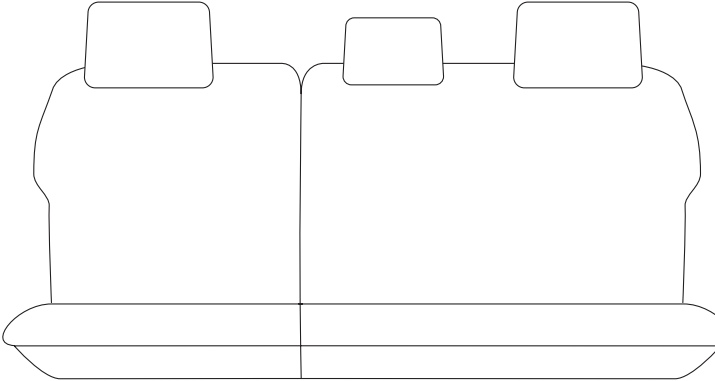
1095



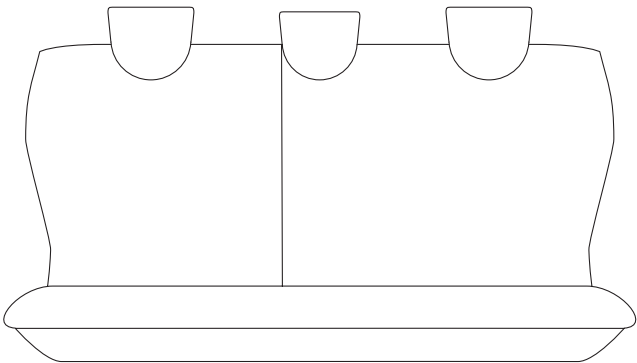
1096



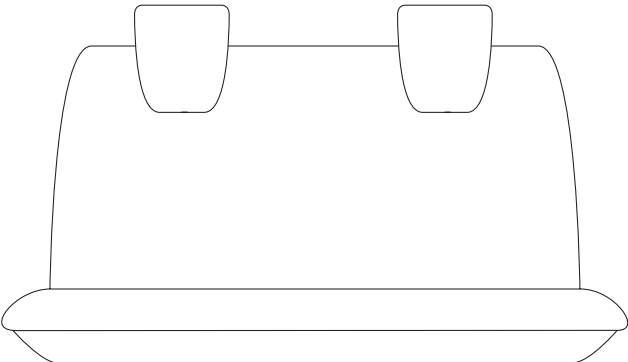
1097



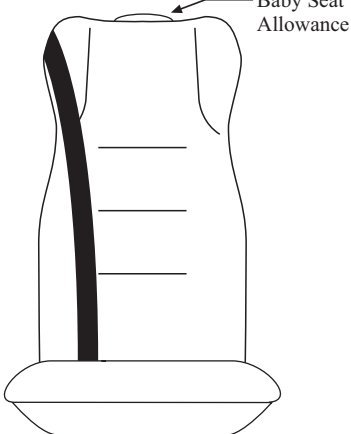
1098



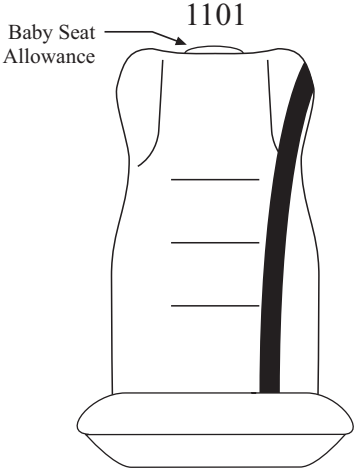
1099



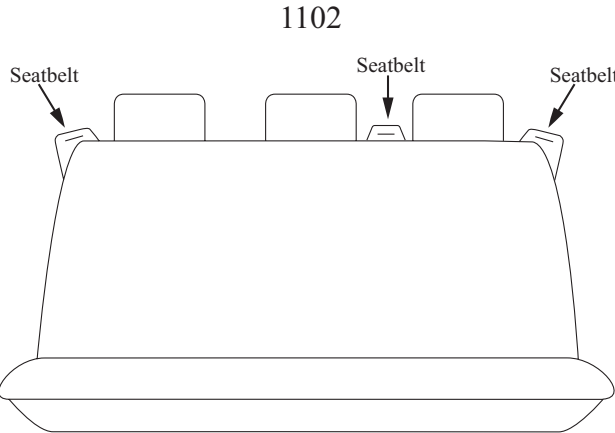
1100



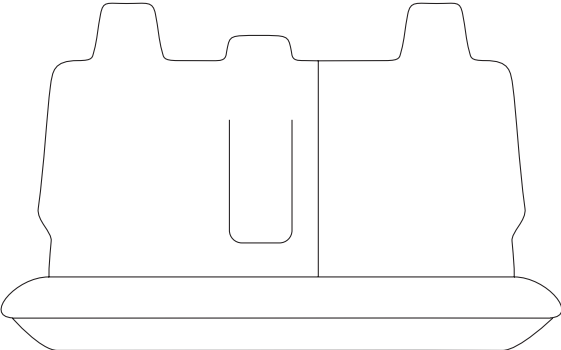
MIDDLE AND REAR SEATS



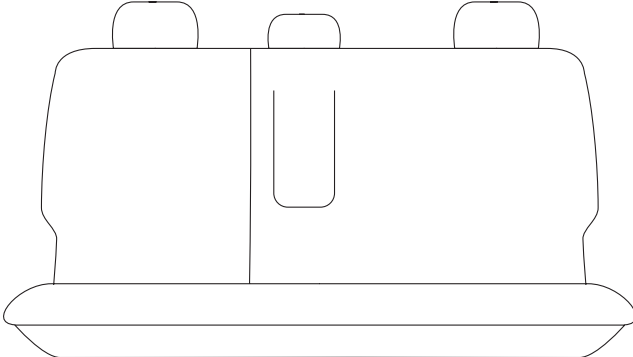
1103



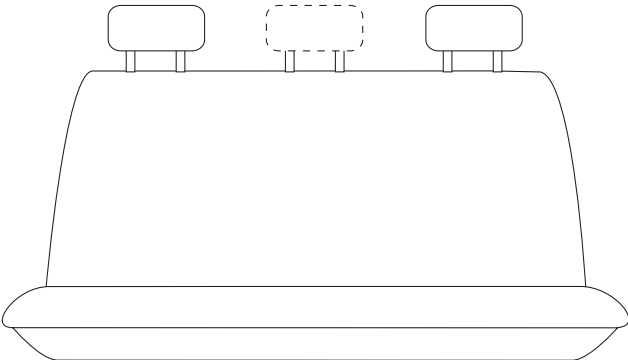
1104



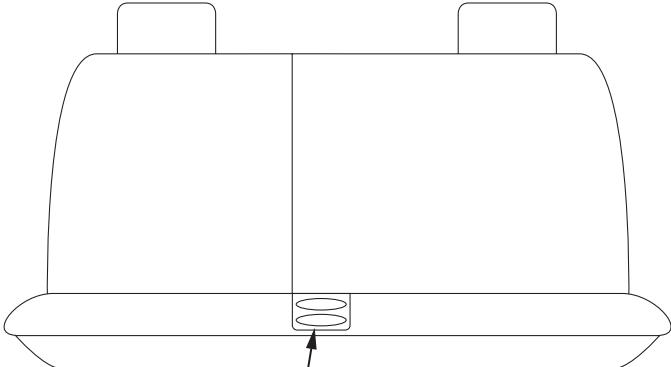
1105



1106

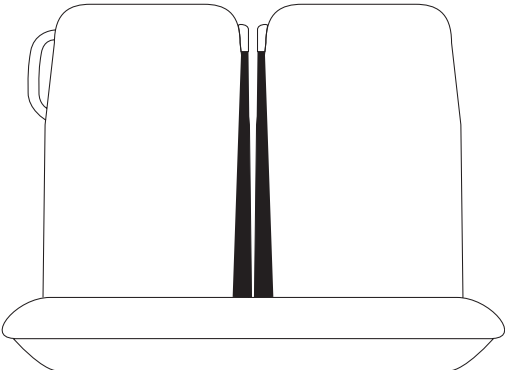
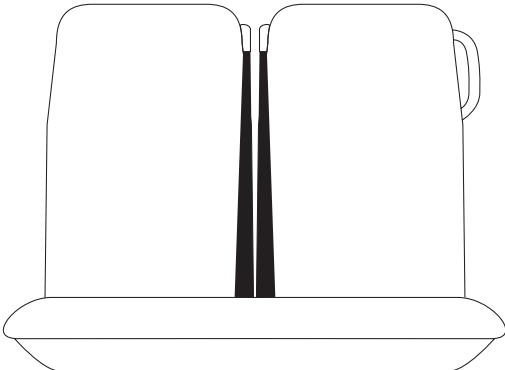


Suits both 2 & 3 headrests in rear



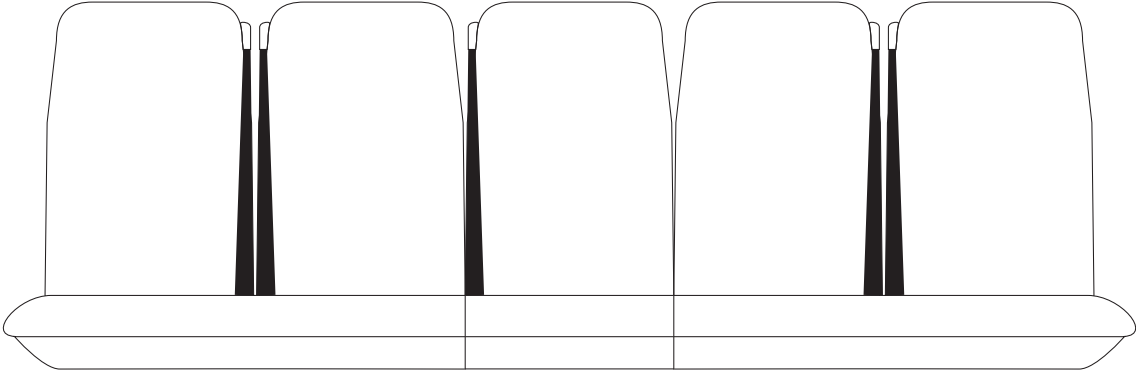
Cup holders

1107

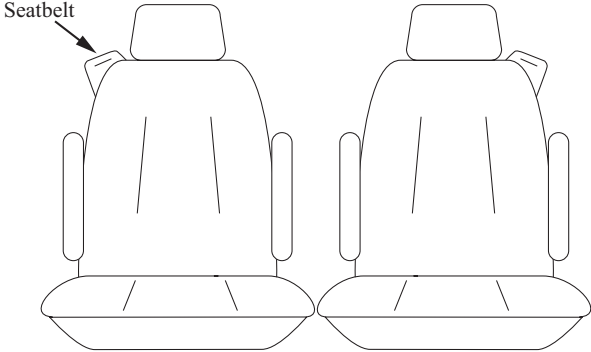


MIDDLE AND REAR SEATS

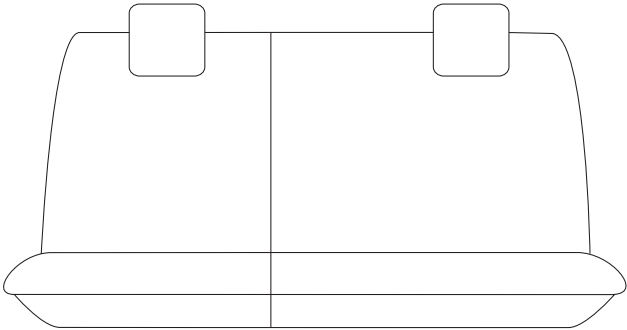
1108



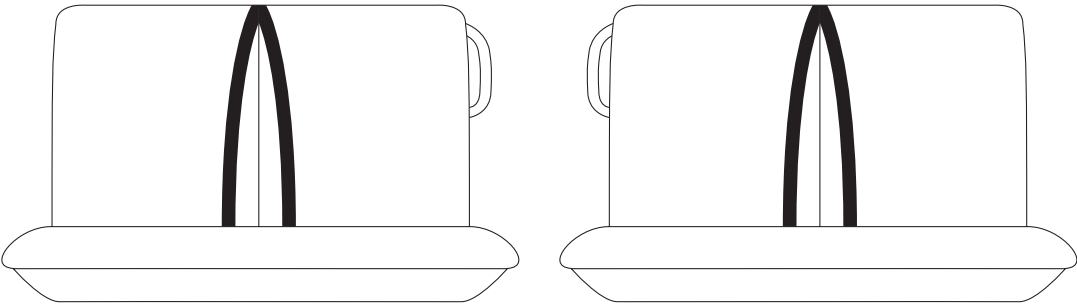
1109



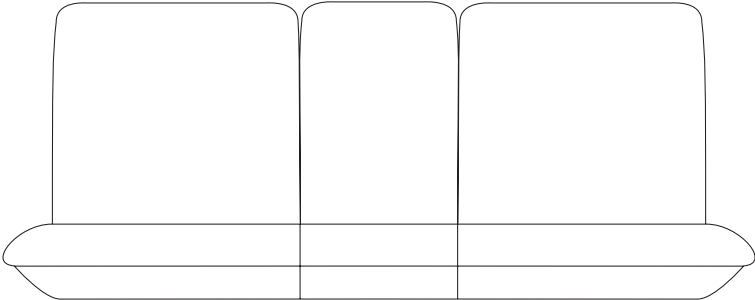
1110



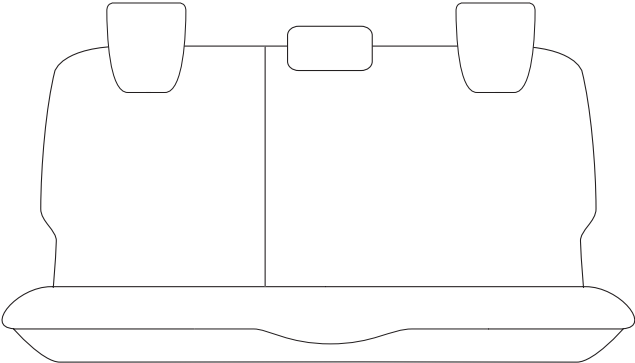
1111



1112

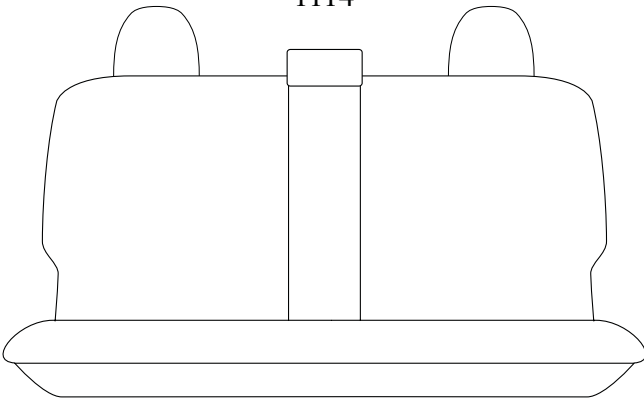


1113

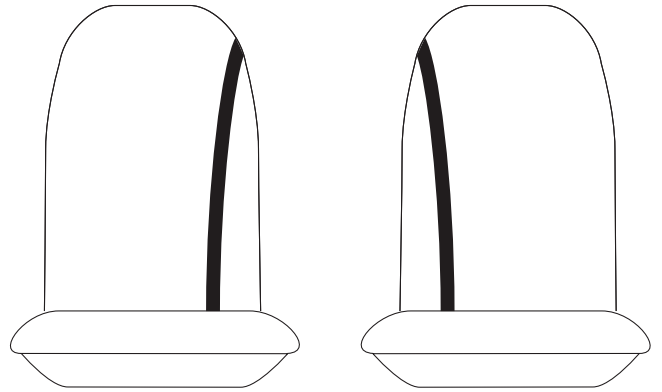


MIDDLE AND REAR SEATS

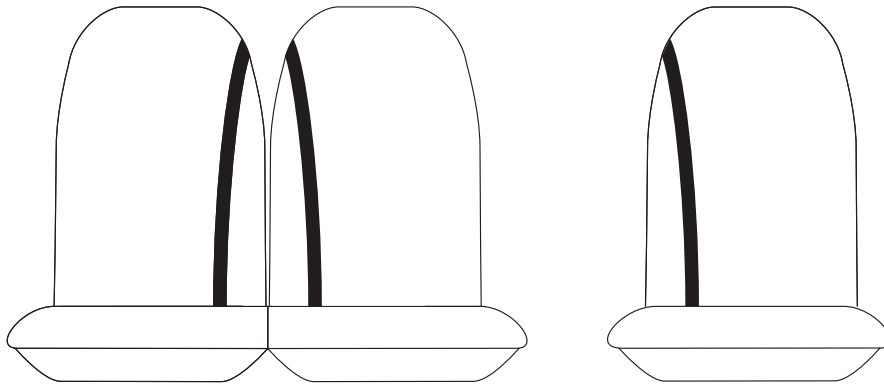
1114



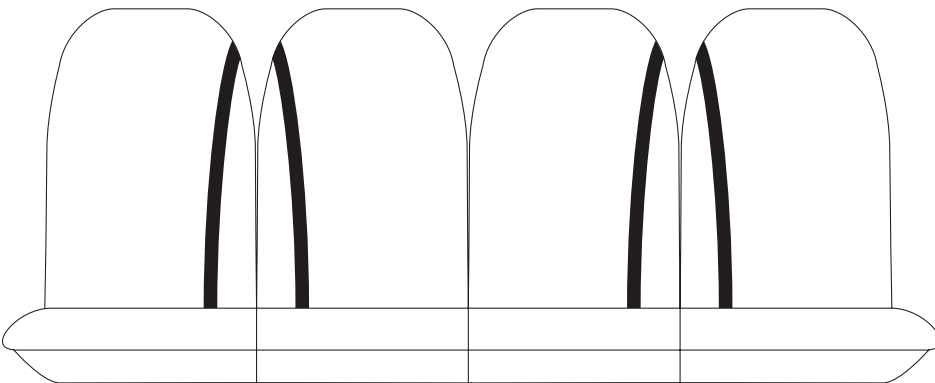
1115



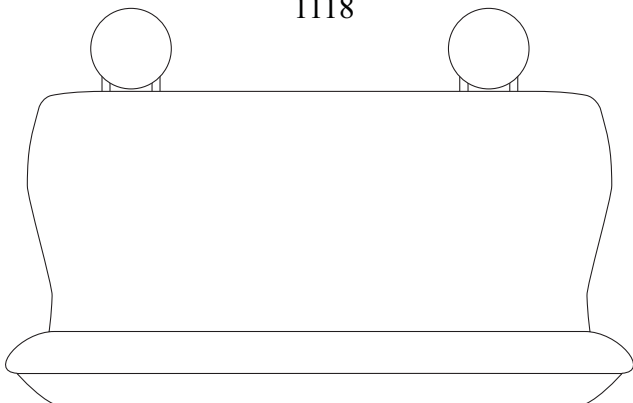
1116



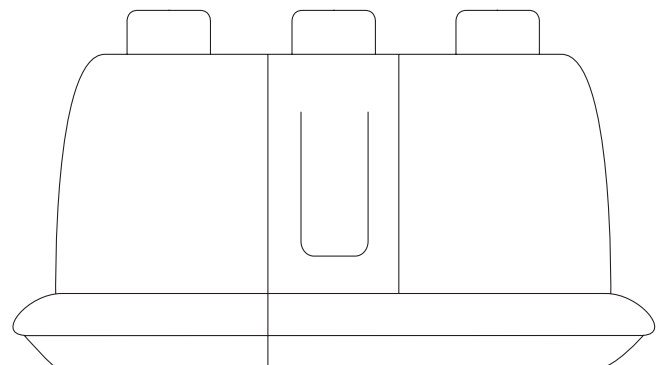
1117



1118

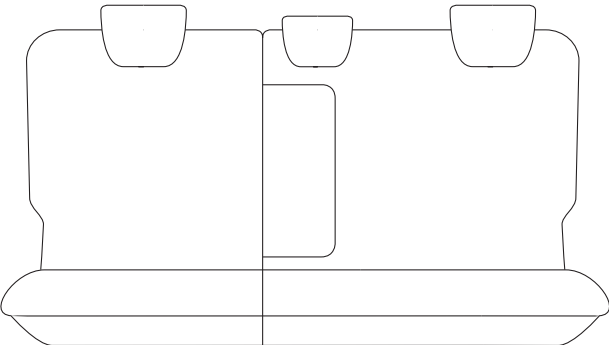


1119

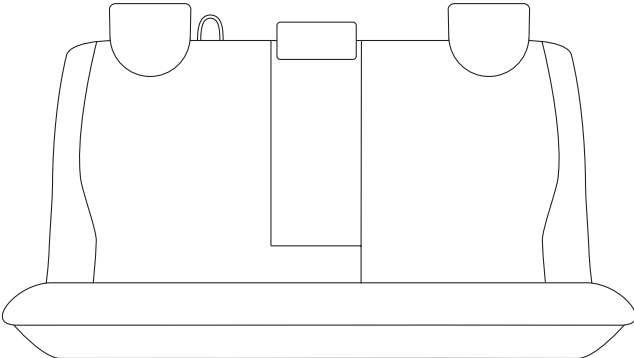


MIDDLE AND REAR SEATS

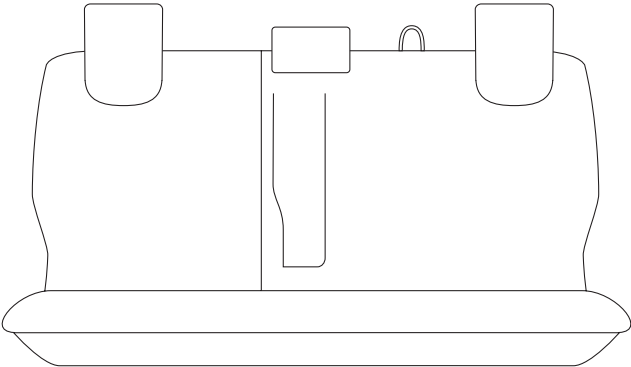
1120



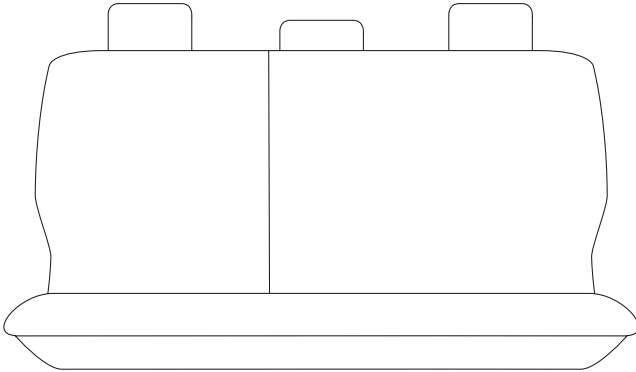
1121



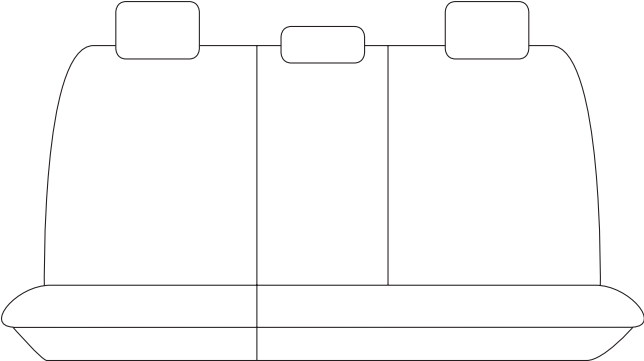
1122



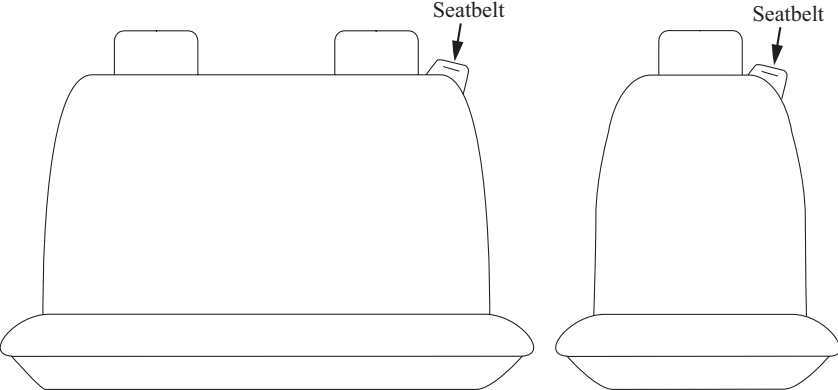
1123



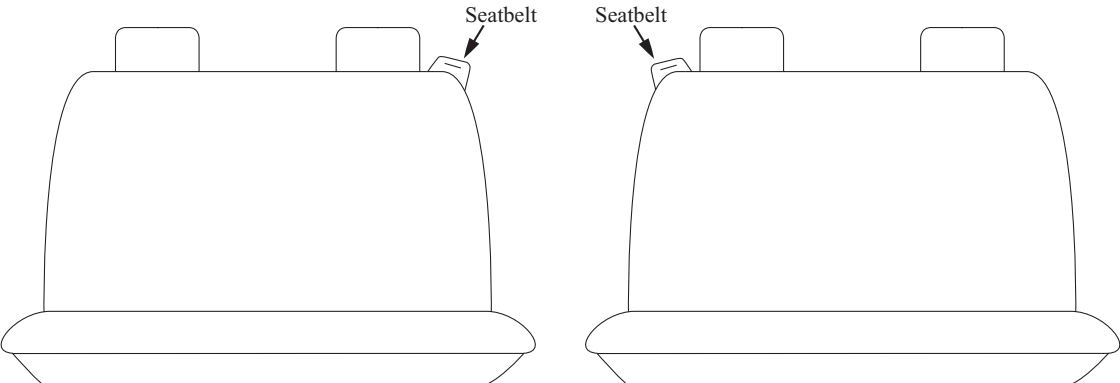
1124



1125

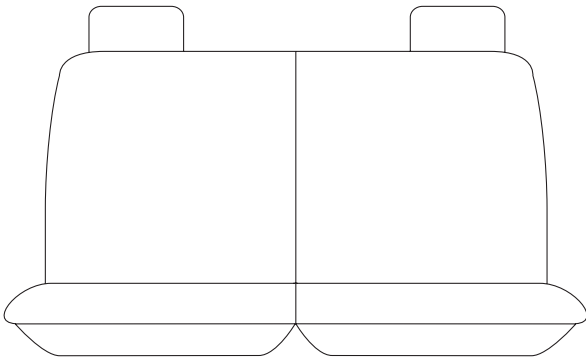


1126

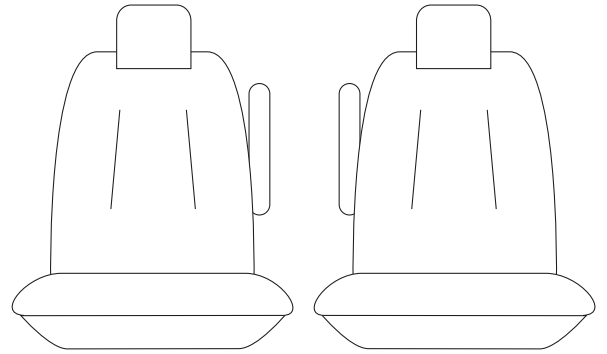


MIDDLE AND REAR SEATS

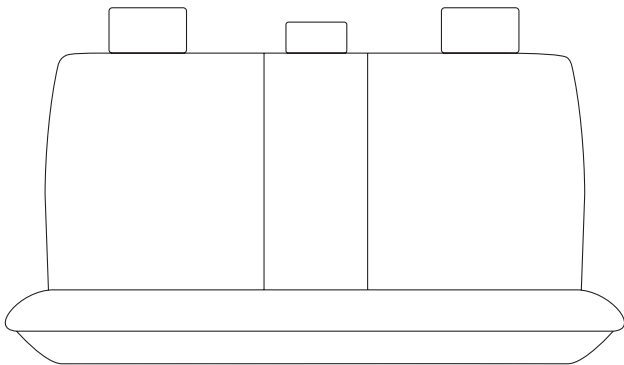
1127



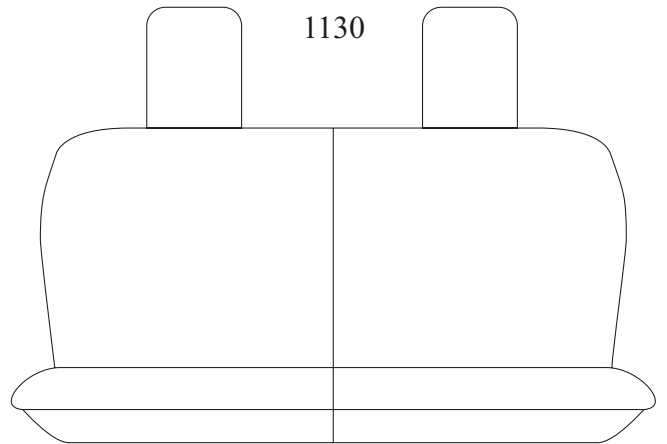
1128



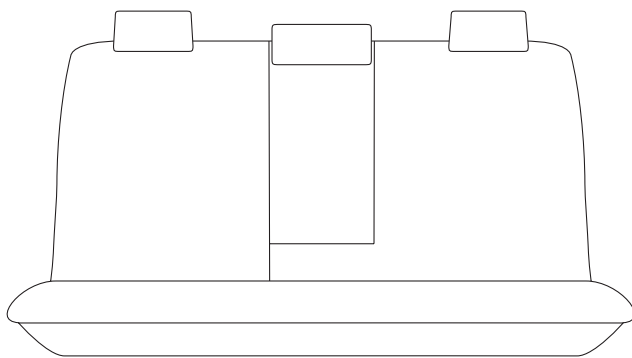
1129



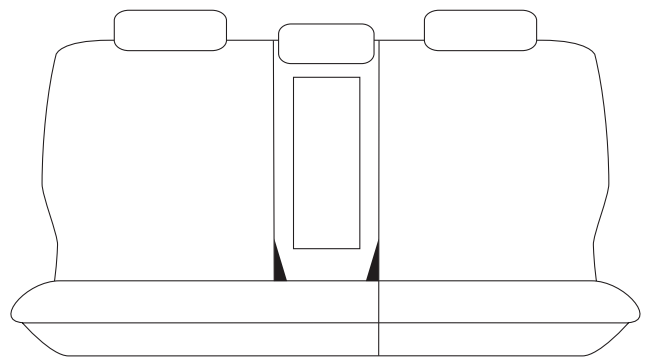
1130



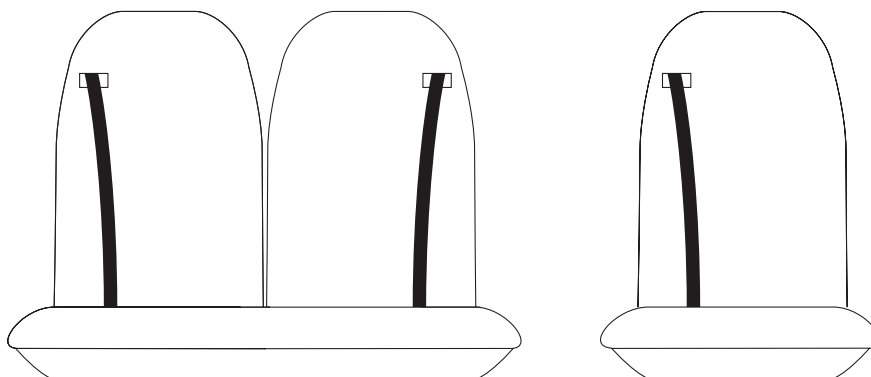
1131



1132

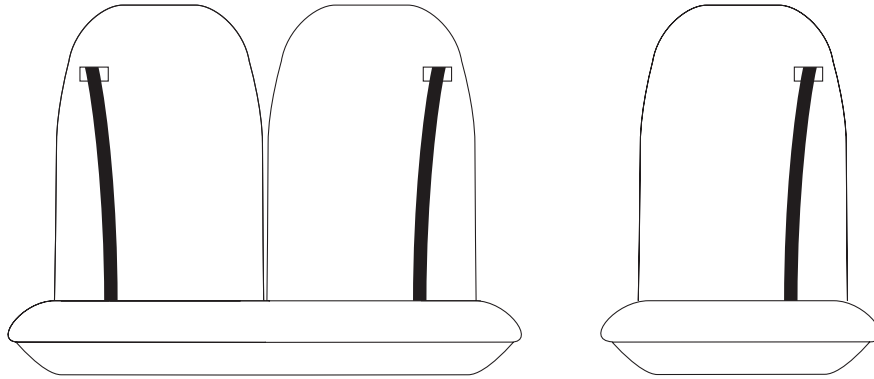


1133

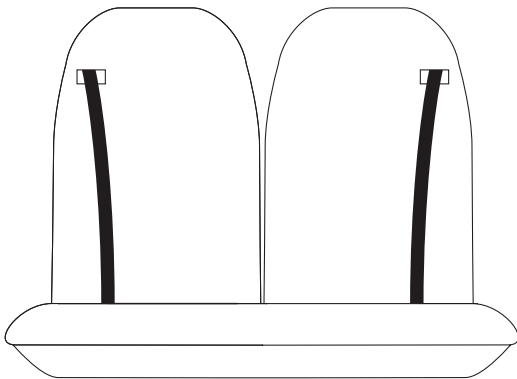


MIDDLE AND REAR SEATS

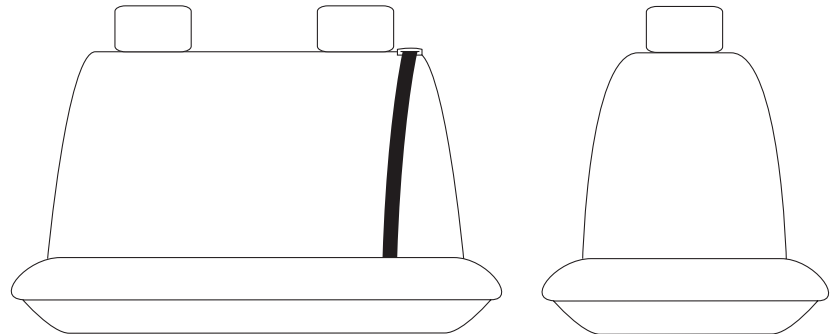
1134



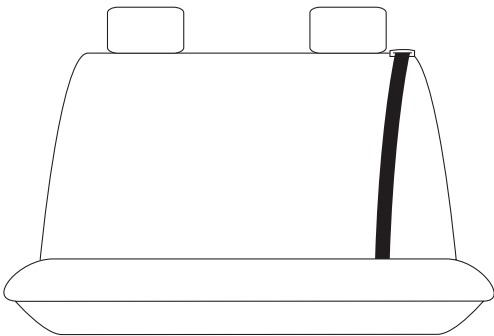
1135



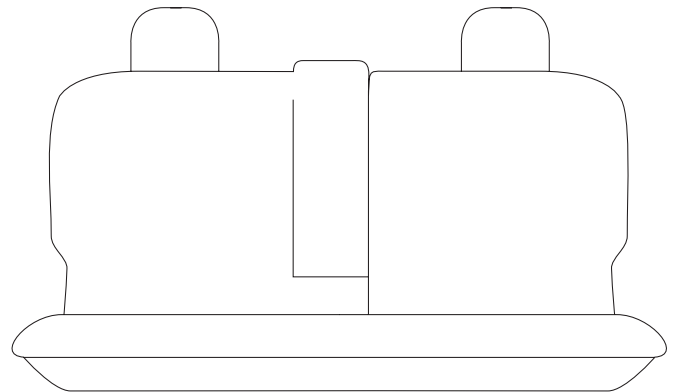
1136



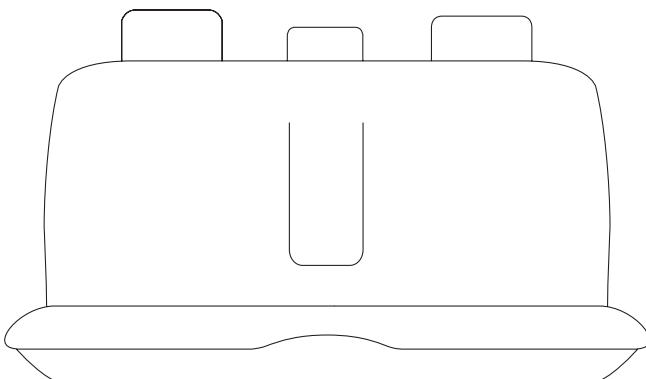
1137



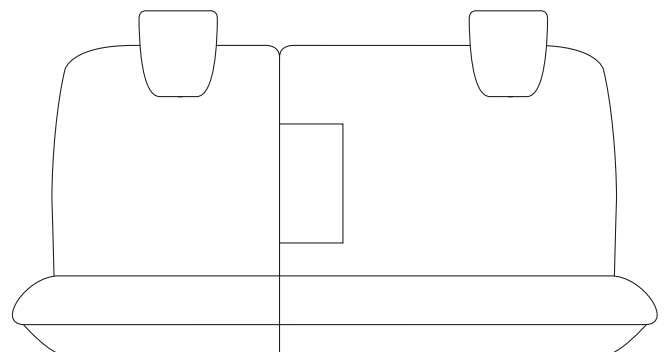
1138



1139

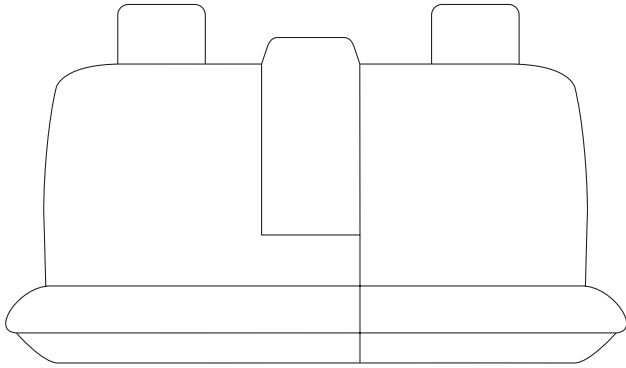


1140

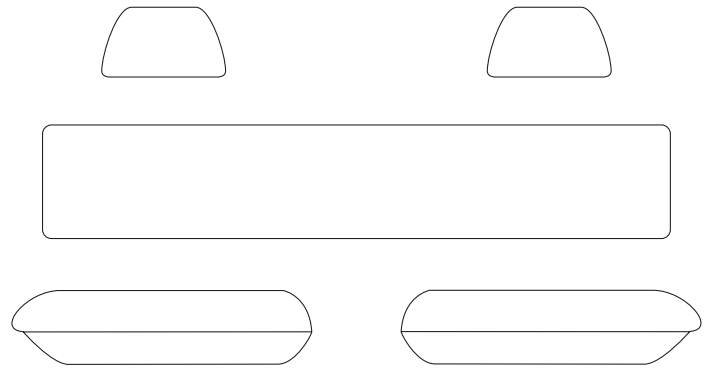


MIDDLE AND REAR SEATS

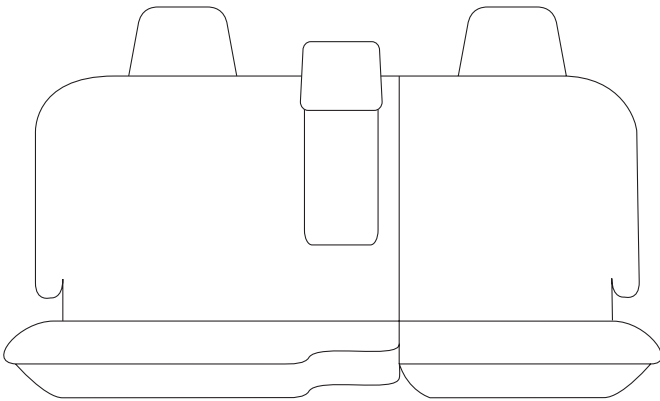
1141



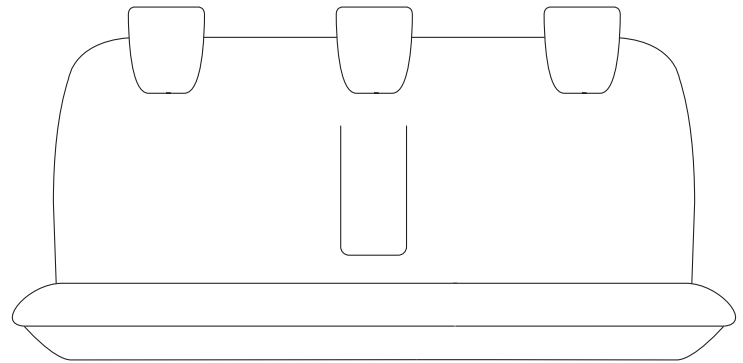
1142



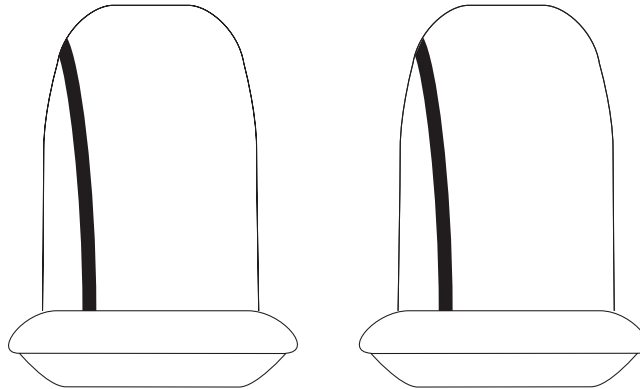
1143



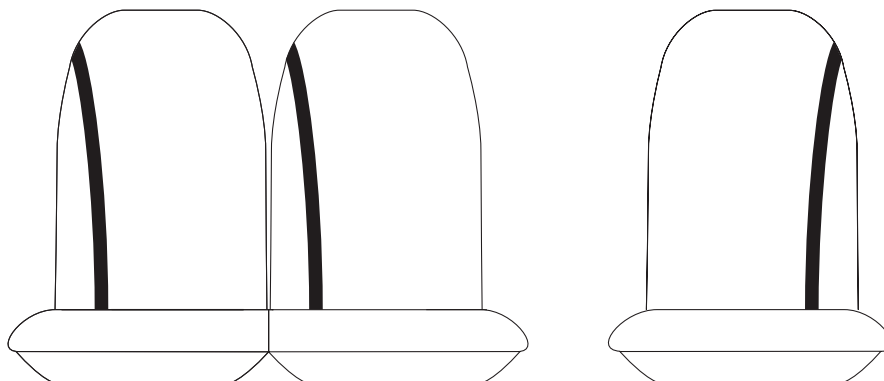
1144



1145

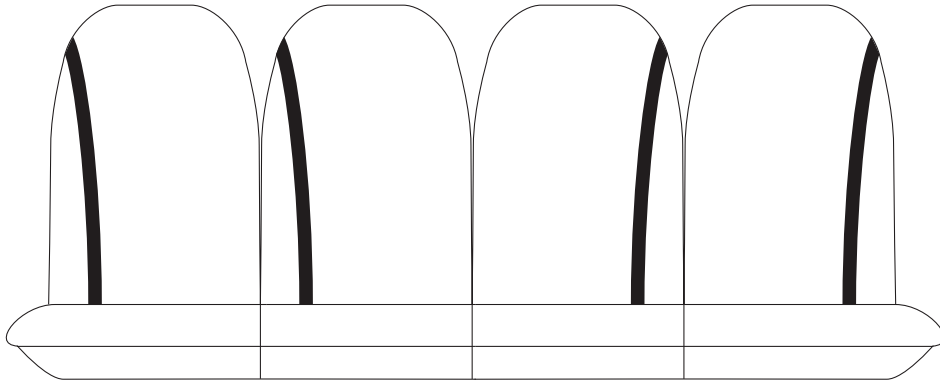


1146

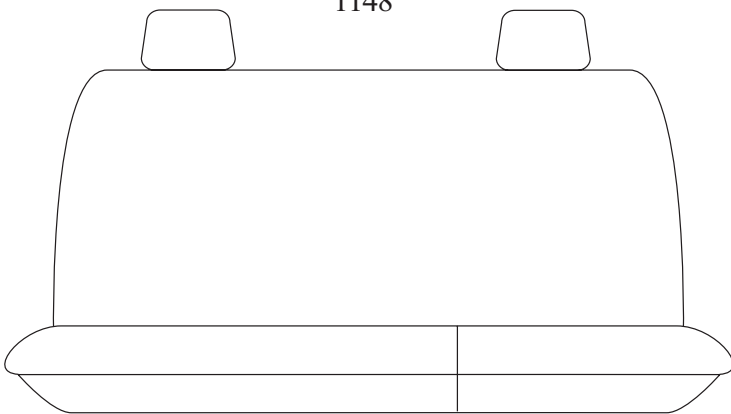


MIDDLE AND REAR SEATS

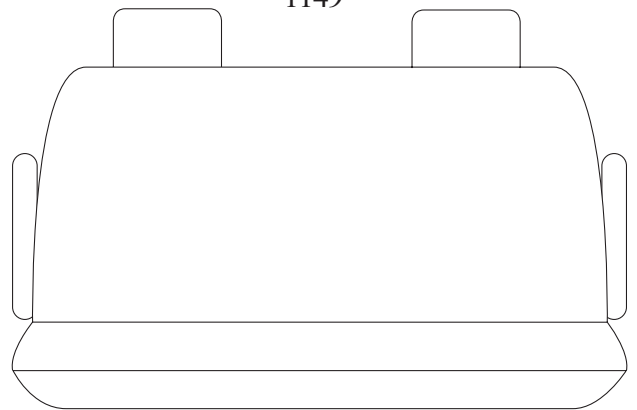
1147



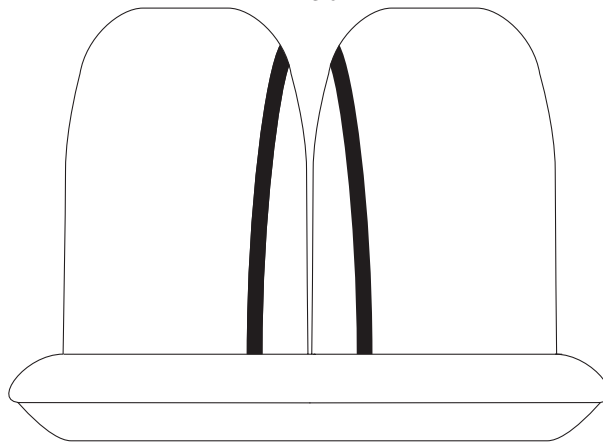
1148



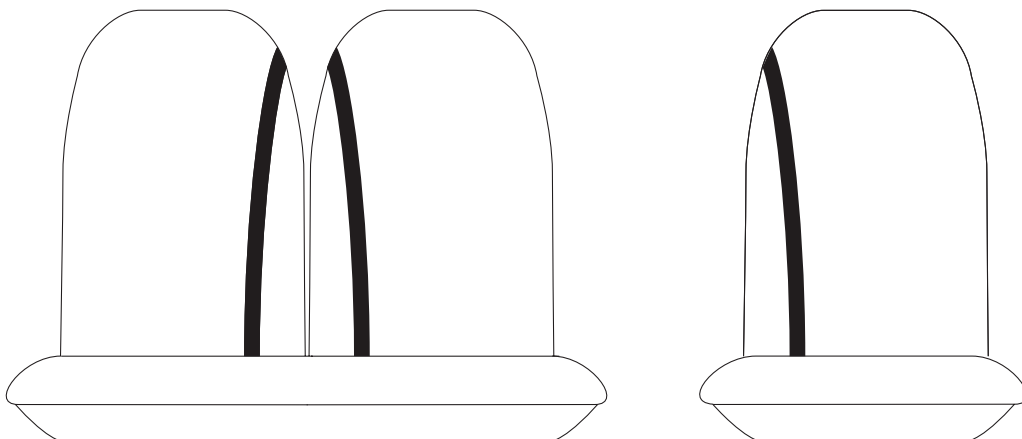
1149



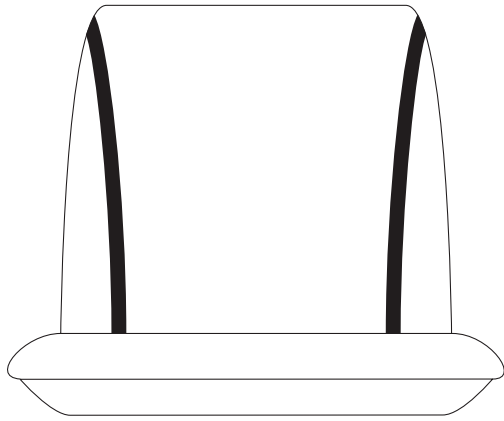
1150



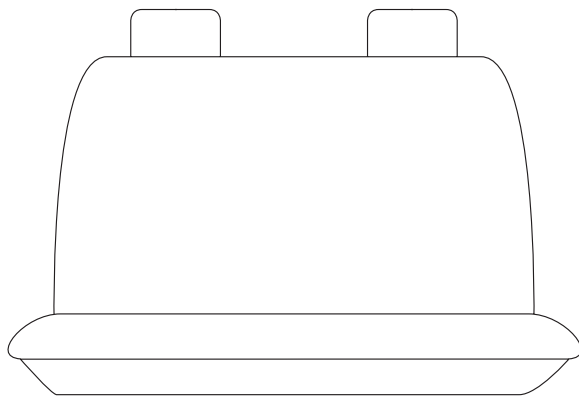
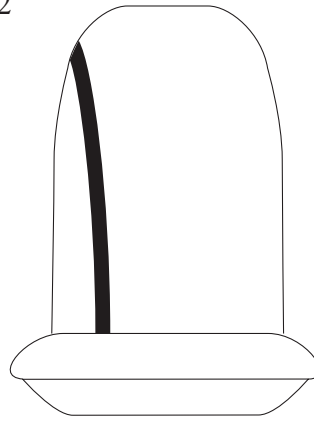
1151



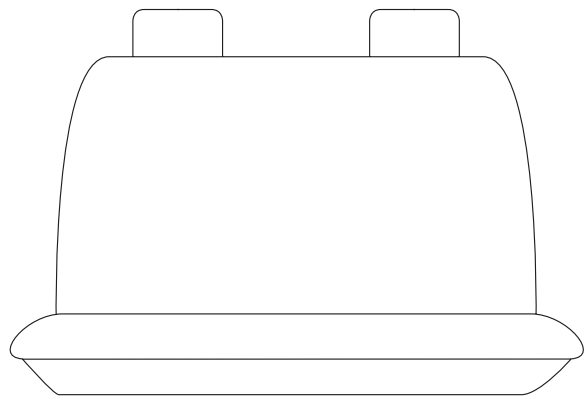
MIDDLE AND REAR SEATS



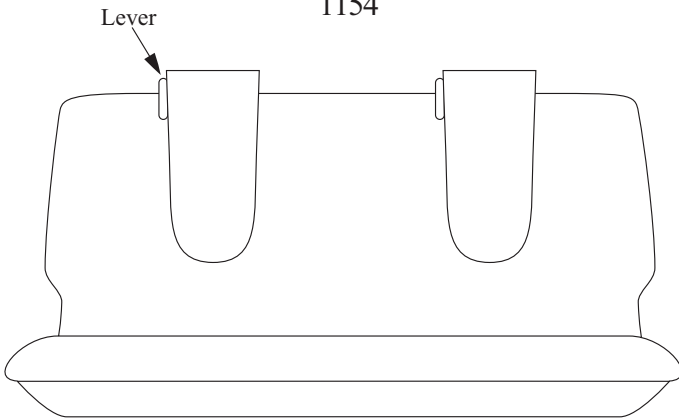
1152



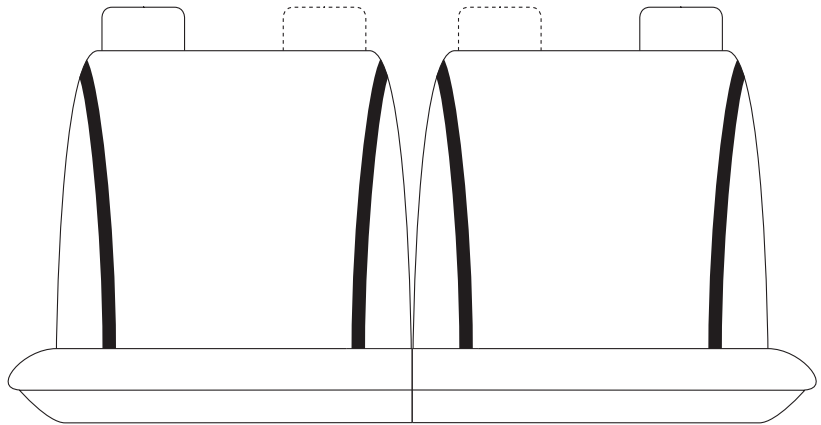
1153



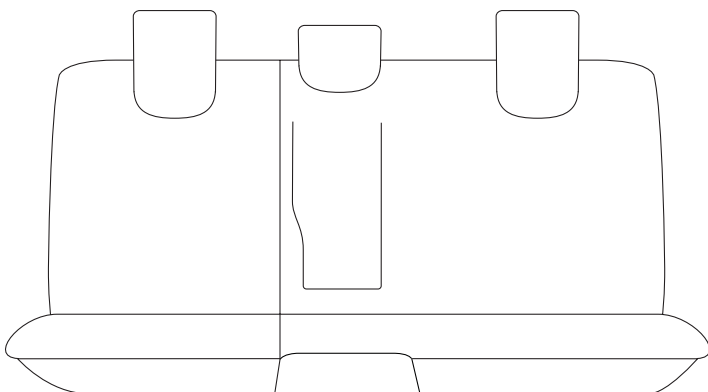
1154



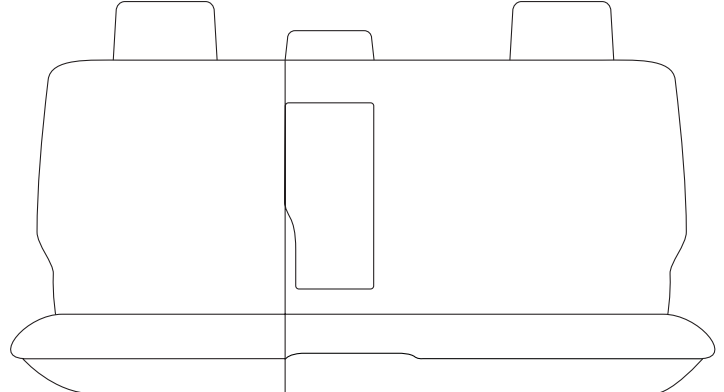
1155



1156

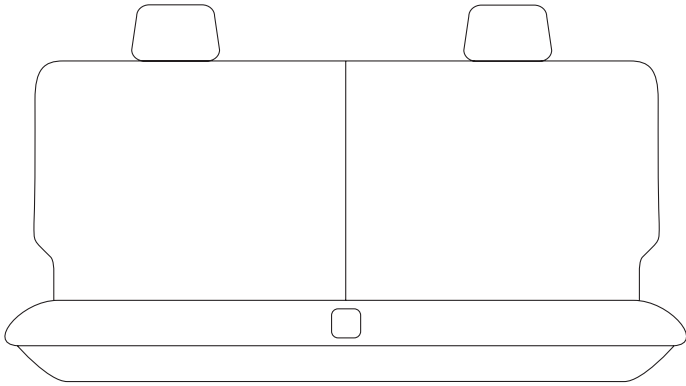


1157

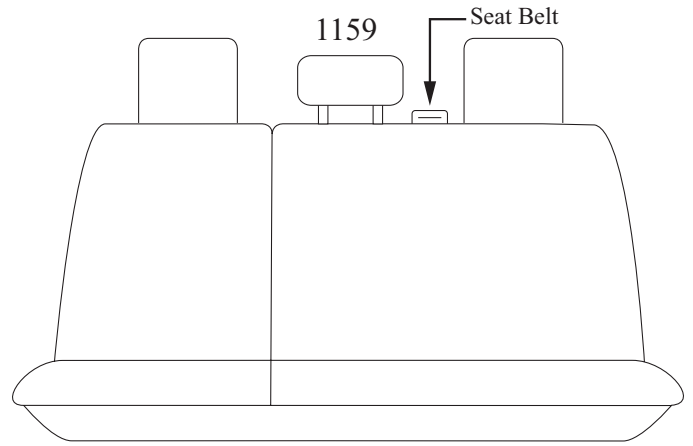


MIDDLE AND REAR SEATS

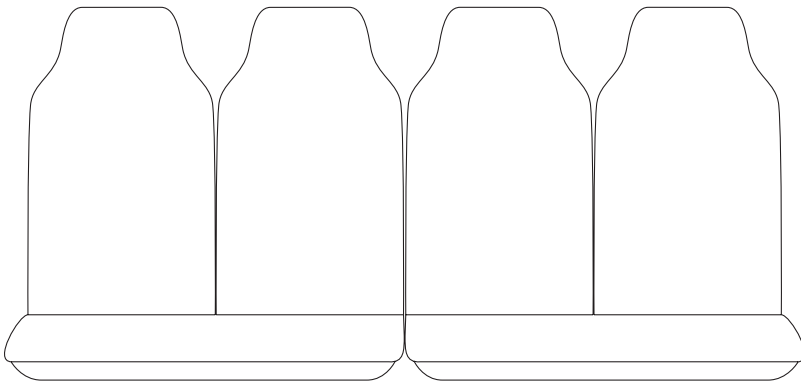
1158



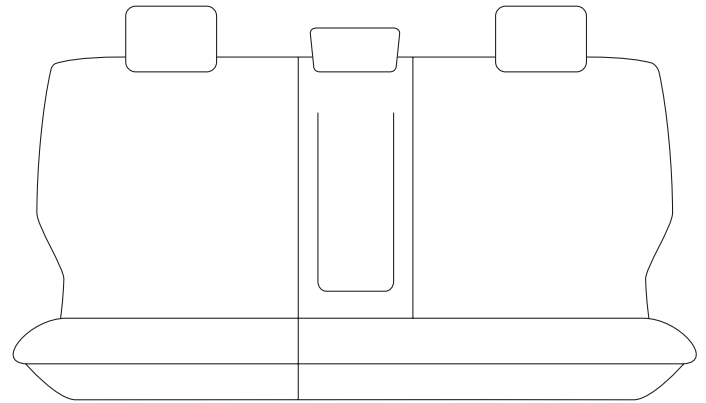
1159



1160



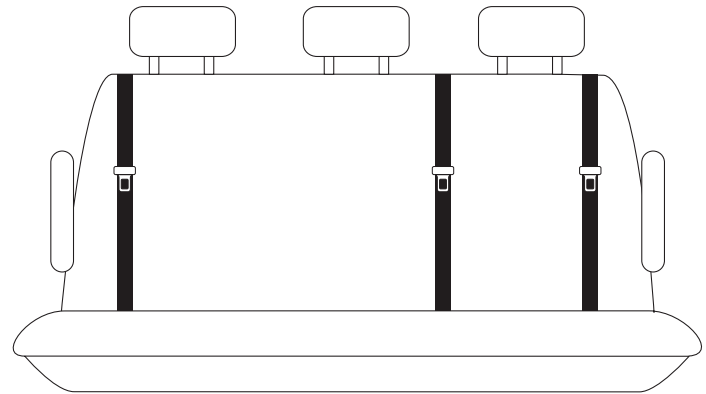
1161



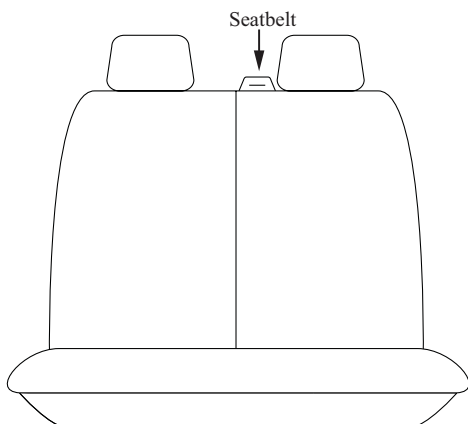
1162



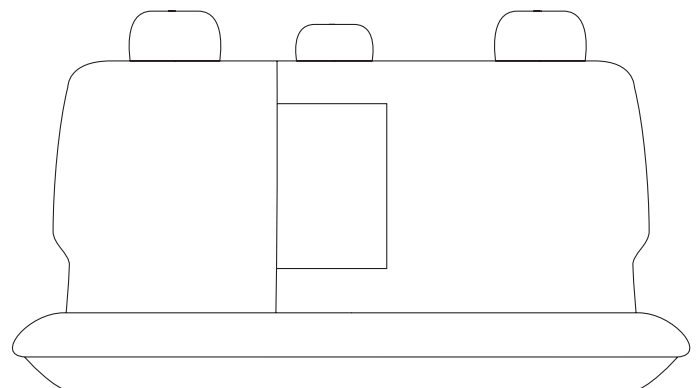
1163



1164



1165





SPERLING ENTERPRISES
16 HELLES AVE MOOREBANK
NSW, AUSTRALIA, 2170

Visit us at www.sperling.com.au
Phone: (02) 9821 1755
Fax: (02) 9601 1984
Email: sperling@sperling.com.au